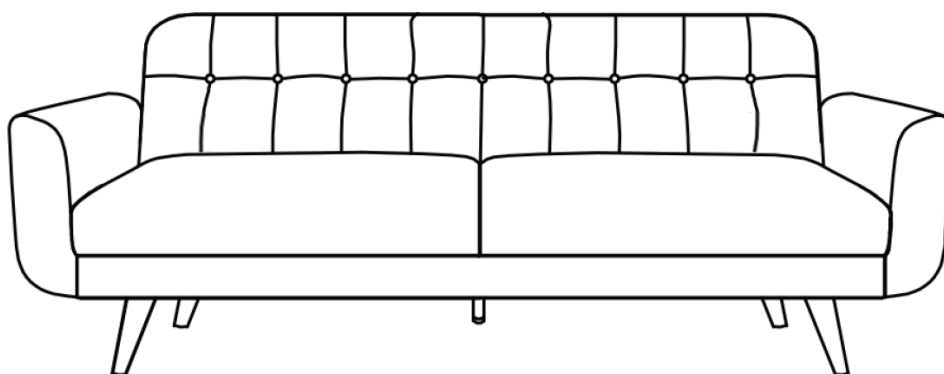


Gallway Sofa Bed



1 hour approx
assembly time



Two person
assembly

Dreams

Thank you

Hello, thanks for choosing to purchase your sofa bed from Dreams - you're now on your way to creating a practical and stylish solution for your room. Before you begin building your sofa bed, please take a moment to read through the instructions and make sure that you've got all the relevant parts listed on the following pages.



Assembly tips

Before you begin, it's best to identify all parts and fittings to build your sofa bed. We advise laying these out on the floor to check you have everything, and familiarising yourself before building.



Top tip

We recommend that you build your new sofa bed in the room you'd like it to be located - this will help prevent any risk of damage to your newly built sofa bed whilst moving it.



Safety and care

It's really important to ensure children and animals are kept away from the assembly area, as there are small components used in this sofa bed which could present a choking hazard. All plastic and wrapping materials should also be kept away from children and animals to prevent any risk of suffocation. To keep your little ones busy, there is a colouring page inside the back cover.



Help and support

At Dreams, it's our mission to give the whole nation a great night's sleep - this means that the quality of our products is of utmost importance to us. If there are any issues with your product or any missing parts, please visit our website at www.dreams.co.uk/help



Recycling

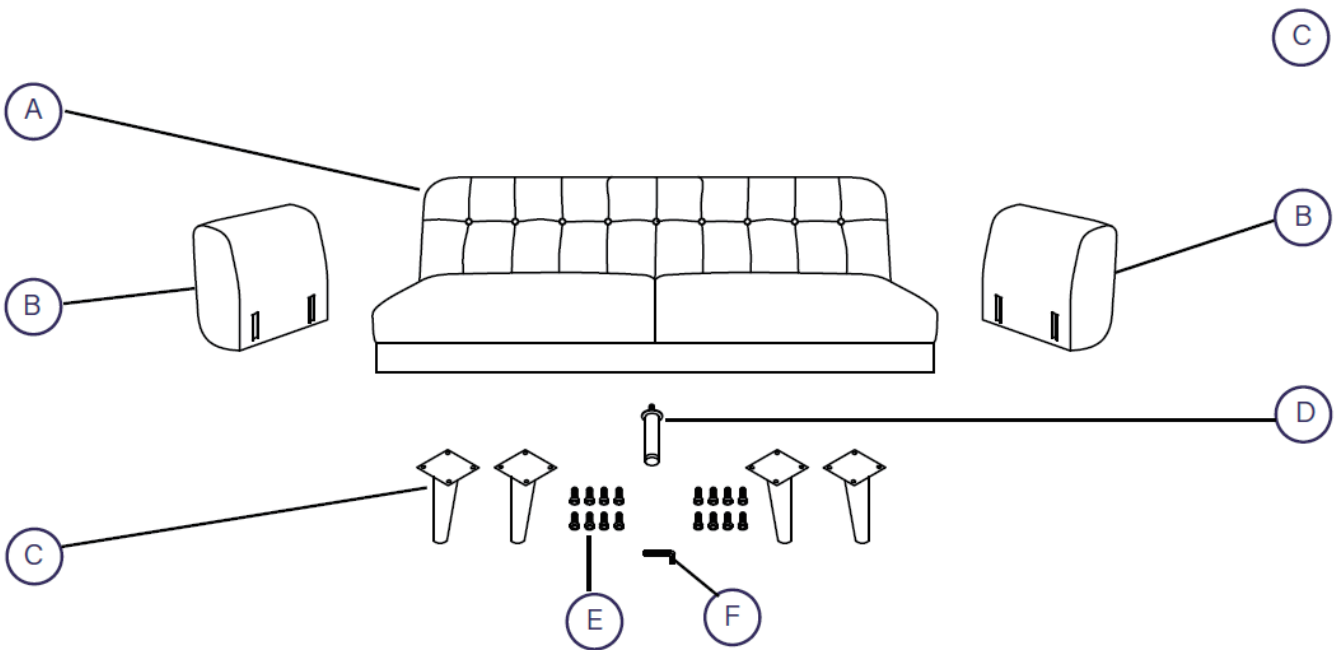
Please ensure that packaging is disposed of in a safe and environmentally friendly way, and recycle where possible. Our assembly instructions are printed on recycled paper. Please keep your assembly instructions safe to refer back to in the future.

Parts

Important information

Once you have identified you have all of the relevant parts and fittings, please follow the instructions for your chosen sofa bed below:

Legs Page 5
Parts Page 6

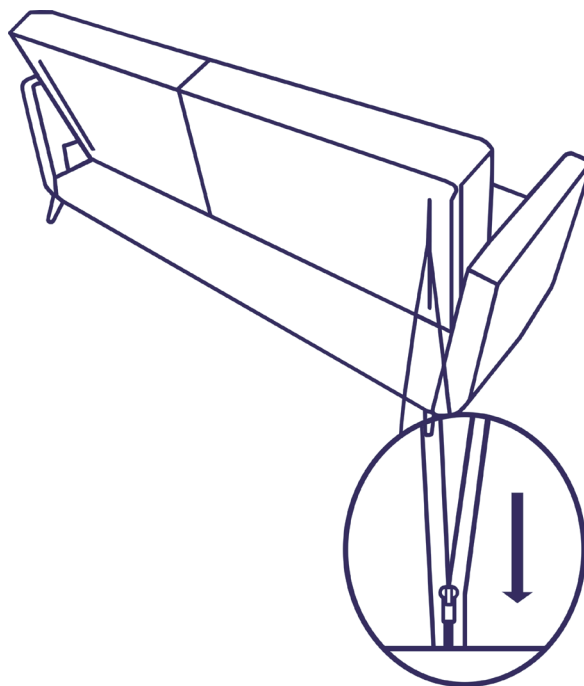


Parts list

- | | | |
|----|-------------|--------------------------|
| A. | Sofa Bed | <input type="checkbox"/> |
| B. | Arm Rest | <input type="checkbox"/> |
| C. | Legs | <input type="checkbox"/> |
| D. | Support Leg | <input type="checkbox"/> |
| E. | Bolts | <input type="checkbox"/> |
| F. | Allen Key | <input type="checkbox"/> |

Please note:

The legs of the sofa bed (part C) can be found in the zipped compartment in the back of the sofa bed, as shown on the right.

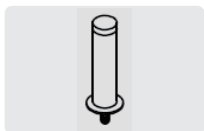


Fittings

Please check you have all the parts listed below with your product:



Legs (60*230mm)



Support Leg
(200mm)



Bolts (6*40mm)



Tools required

Please check you have the below:



Allen Key

Parts assembly

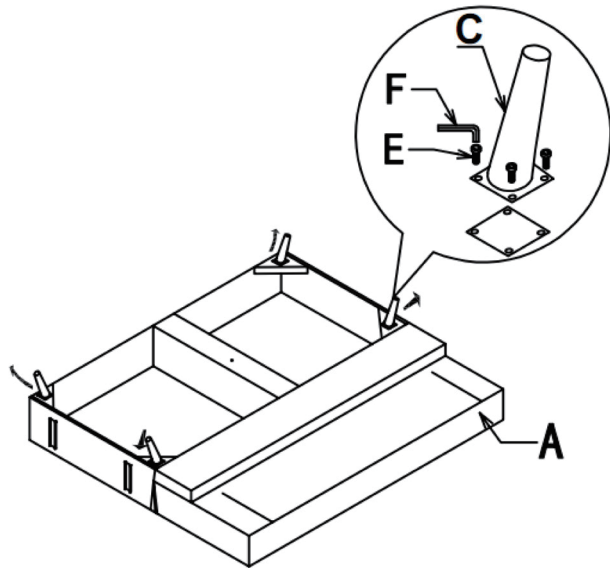
Use Pack 'X'

1

Unpack your sofa bed and check you have all the necessary items (see page 3).

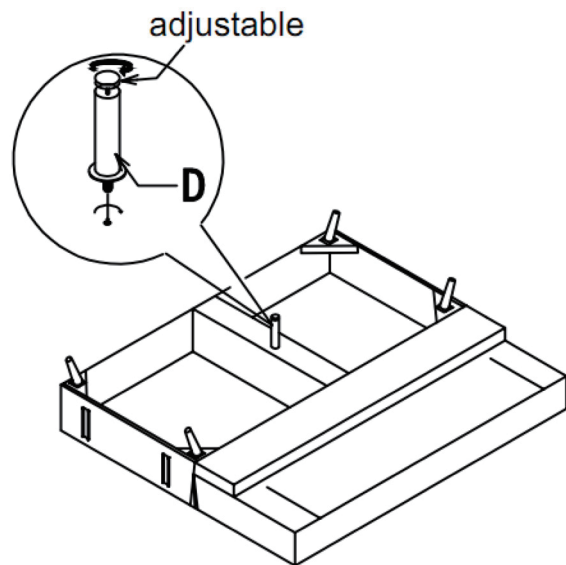
Place the sofa bed face down on a clean, flat surface.

Affix the legs as shown in the diagram to the right using the bolts and allen key supplied.



2

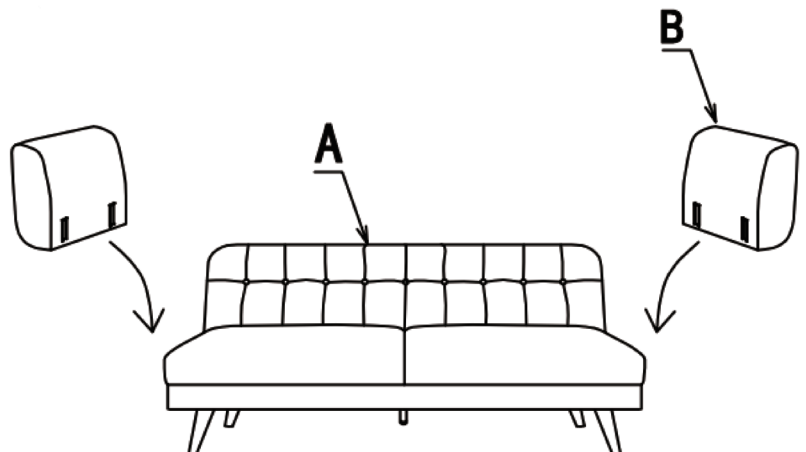
Affix the support leg as shown in the diagram to the right.



3

Turn your sofa bed over on to its legs.

The arm rests should slot into place using the fixings on the side of the sofa bed.



Operating Instructions

Please note:

There are "hidden" legs within the back section of the sofa bed, which are to be used when in it is in bed position.

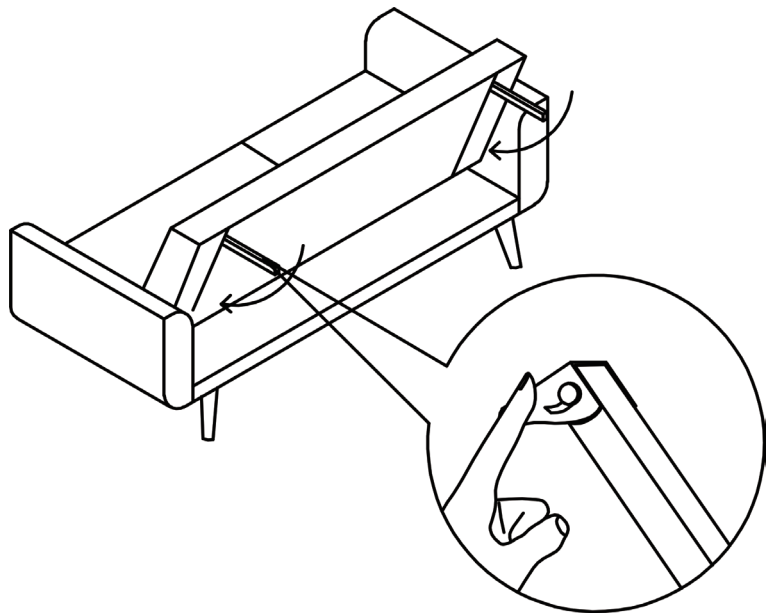
Ensure to pull these out before converting from sofa to bed position. Follow the instructions below to do this.

To retract the legs:

First convert from bed position to sofa (following the below instructions).

Press firmly on the button at the top of the leg (this will release the lock) and press toward the bed.

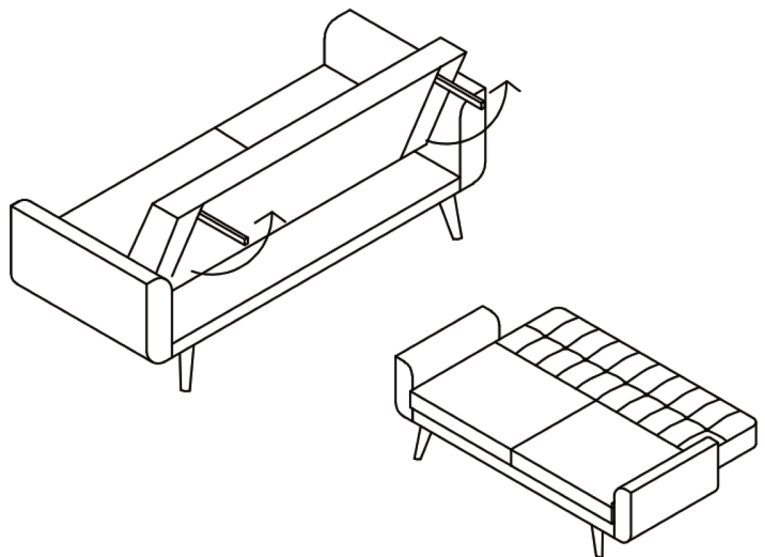
WARNING: TAKE CARE NOT TO TRAP FINGERS WHEN CARRYING OUT THE ABOVE. DO NOT ALLOW CHILDREN TO PLAY WITH OR RETRACT THE LEGS.



FROM SOFA TO BED:

Hold the back of the sofa and tilt forward slowly until a click can be heard, then lower the back until it is lying flat.

Ensure that you push from the centre of the back section to avoid damaging the mechanism.

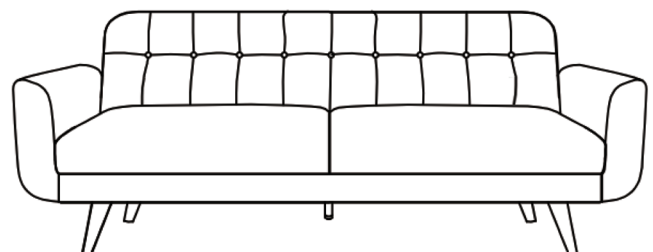


FROM BED TO SOFA:

To convert to reclining position: Lift back section carefully until you hear one click.

To convert back to sofa position: Lift back section carefully until you hear two clicks.

Ensure that you push from the centre of the back section to avoid damaging the mechanism.



Care and maintenance

Here are some tips to keep your new sofa bed in tip-top condition



Cleaning

To clean your new sofa bed, we'd advise using a warm damp cloth - please do not use abrasive chemicals or bleach as this may damage the product.



Checking and moving

Periodically we recommend you check that the screws or fixtures haven't become loose, over time. To move your new sofa bed, we recommend lifting it where possible, as dragging or pushing it could cause damage to your flooring.



Wood

Please note each of our wooden pieces are unique, meaning that markings and shade can vary slightly between sofa beds. Over a period of time, the wood might lighten or fade slightly due to light exposure.



Fabric

Please note depending on the lighting, positioning and surroundings of your room, the shade of the colour can sometimes appear slightly different. Over a period of time, the colour might lighten or fade slightly due to light exposure.



Metal

Metal tends to be more resilient to everyday wear and tear. We recommend to gently dust your metal furniture and keep it dry to maintain its look.

Thank you for shopping with us - we hope you have a great night's sleep

Sleep well



Little dreamers

Keep the little ones entertained while you assemble your new purchase.



Dreams