

PLEASE READ this sheet prior to assembly to familiarise yourself with the various stages of construction. Carefully open the pack supplied and check the contents against the parts and fittings check list.

Do not destroy any of the packaging until you are certain that you have all the necessary parts for the assembly.

Please ensure that the packaging is disposed of in a safe environmentally friendly way.

CAUTION: There are small components used in the construction of this unit. These loose items should be kept away from young children during assembly, to avoid the danger of choking.

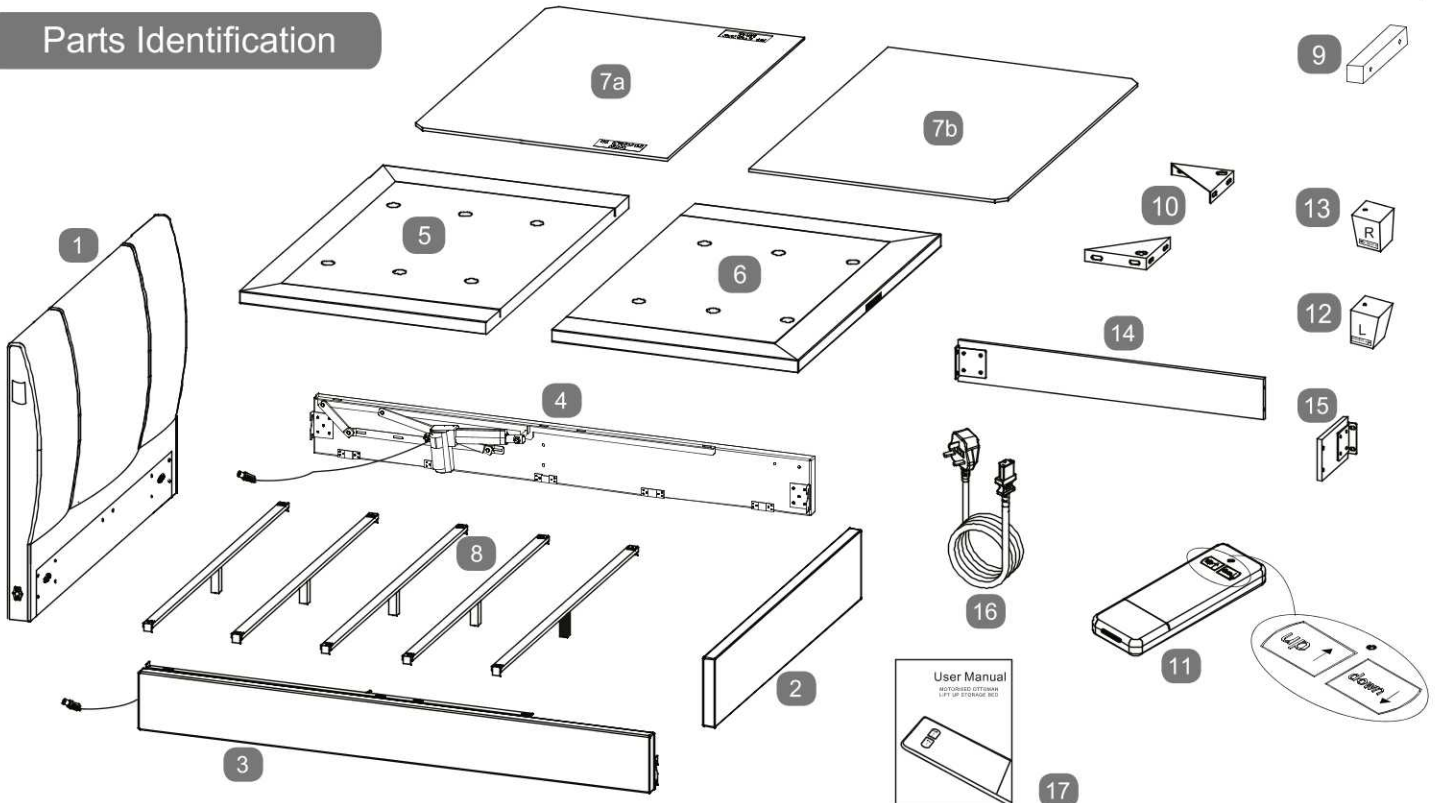
IMPORTANT: BEFORE STARTING TO ASSEMBLE THE BED - PLEASE READ THESE INSTRUCTIONS CAREFULLY.



A full instructional video of the assembly of this bed is available via YouTube using the following address:

https://youtu.be/k_DqThx-bFs

Parts Identification



Parts Checklist

Ref.	Description	Qty	Ref.	Description	Qty
1	Headboard	1	10	Angle Brackets	2
2	Footboard	1	11	Remote Control (is stored in rear of headboard)	1
3	Side Rail - Left	1	12	Feet - Left	2
4	Side Rail - Right	1	13	Feet - Right	2
5	Mattress Base Board - Headend	1	14	Motor Guard - Side Panel	2
6	Mattress Base Board - Footend	1	15	Motor Guard - End Panel	2
7a&7b	Storage Base Boards	2	16	Mains Power Lead - 3 metre	1
8	Storage Base Board Support Rails	5	17	Operation Guide for the Motor System	1
9	(Wood) Mattress Base Support Rails	2			

Fittings Checklist

HARDWARE NEEDED FOR BED ASSEMBLY (PACK A)

Code	Description	Qty	Code	Description	Qty
A	Bolts (M8x30mm) for fitting side rails (3&4) to headboard & footboard (1&2)	x16	D	Allen Key (for M8 bolt)	x1
B	Spring Washers (for M8 bolts)	x16	E	17mm Spanner for M10 Motor Nut	x1
C	Flat Washers (for M8 bolts)	x24	H	Bolts (M8x60mm) for fitting feet (12&13) and fitting mattress base support rails (9) to headboard & footboard (1&2).	x8

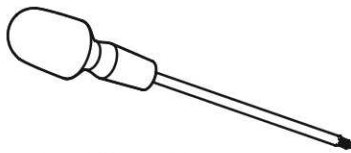
HARDWARE FOR FITTING MATTRESS BASE BOARDS (PACK B)

Code	Description	Qty	Code	Description	Qty
A	Bolts (M8x30mm) for fitting support bars and metal connecting plates (J) to mattress base boards (5&6).	x16	C	Flat Washers (for M8 bolts)	x16
B	Spring Washers (for M8 bolts)	x8	J	Metal Plate for connecting the mattress base boards together (5&6).	x2

HARDWARE FOR FITTING MOTOR GUARD PANELS (PACK C)

Code	Description	Qty	Code	Description	Qty
A	Bolts (M8x30mm) for fitting motor guard panels to Side Rail (3&4) and Headboard (1)	x8	K	Plastic Barrel Nuts	x4
B	Spring Washers (for M8 bolts)	x8	L	Screws (5x50mm) for assembling motor guard panels.	x4
C	Flat Washers (for M8 bolts)	x8			

Additional Tools Required



Crosshead Screwdriver

Care & Maintenance

In the unlikely event of missing or damaged parts, please contact the customer service team on; 0344 292 00 00. When calling this number please quote the part code reference numbers shown in this leaflet, when requesting spare or replacement parts.

General Hints & Tips



Please retain your assembly instruction and tools provided for future use. Periodically check that all bolts are still tight.



Assembly requires two persons.

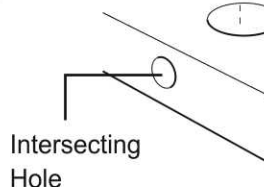


1.5 Hrs

Approximate time to assemble this product



When they are supplied and are part of the assembly of this bed, ensure that the barrel nuts are fitted the correct way so the hole in the nut is facing towards the intersecting hole in the panel.



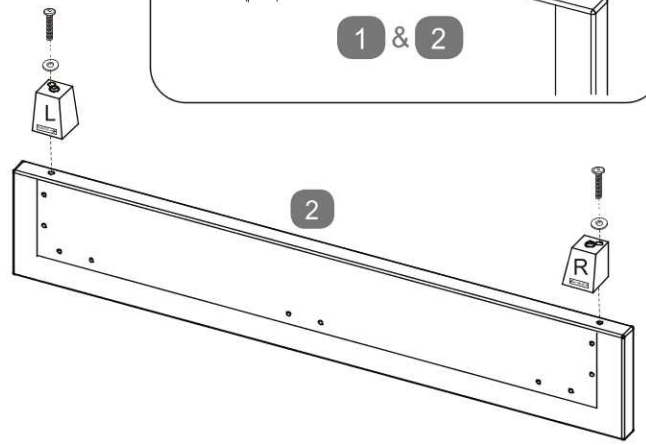
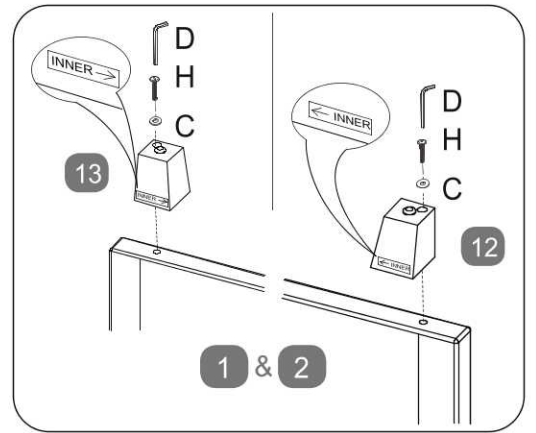
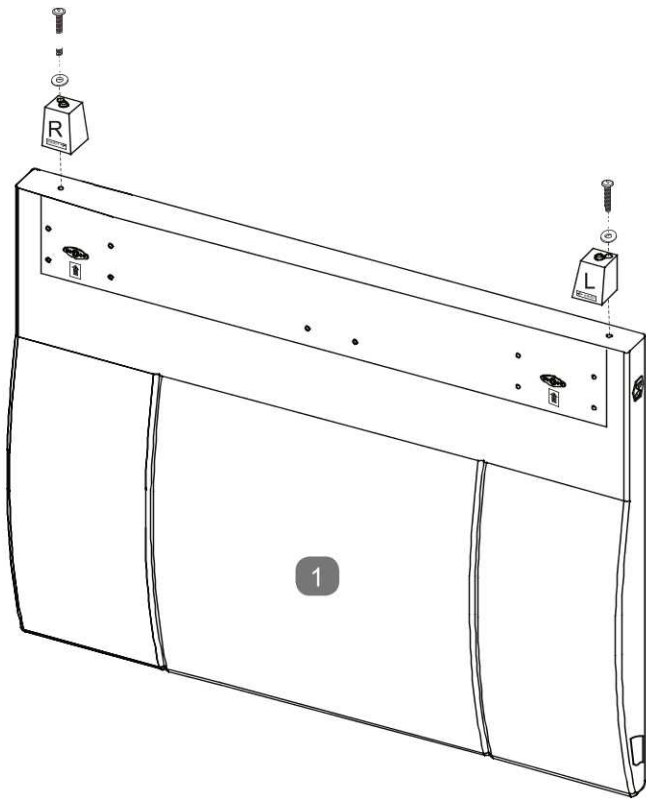
Intersecting Hole

We recommend the bed is assembled in the room it shall be located in.






Bed Assembly - Use Pack 'A'

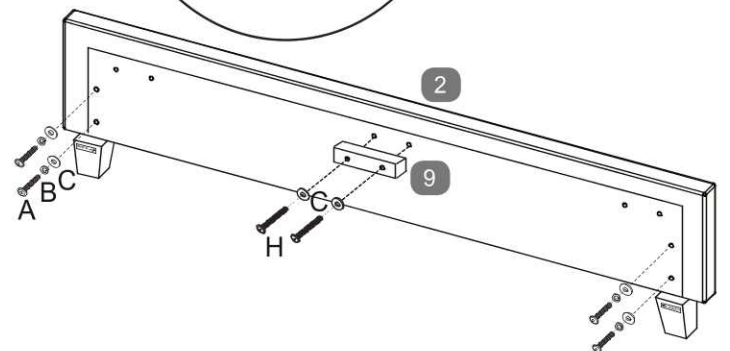
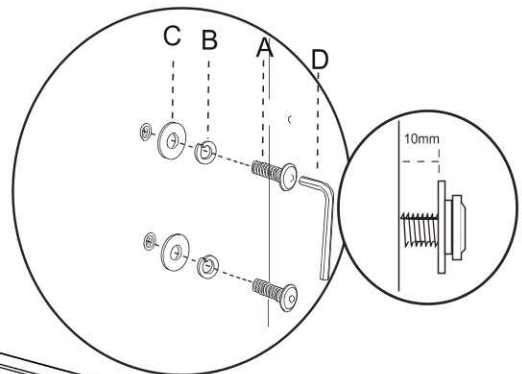
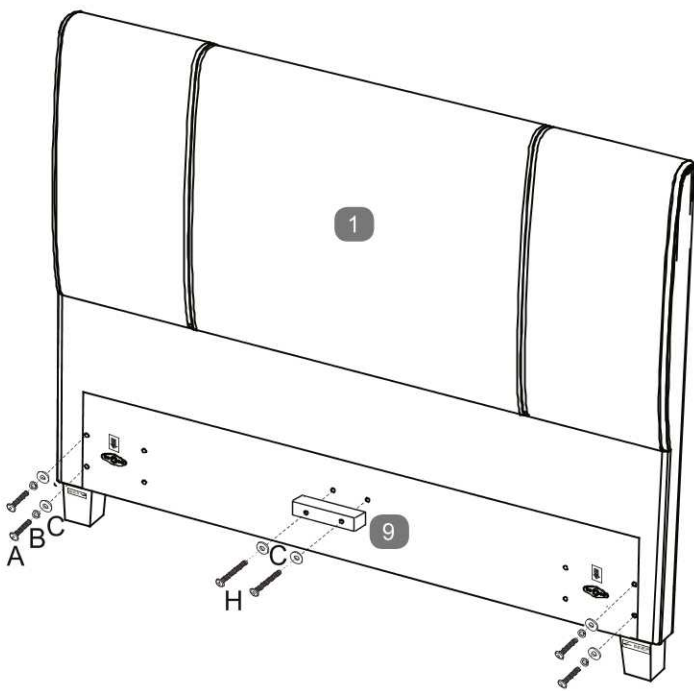
Stage 1

- C  x4
- D  x1
- H  x4



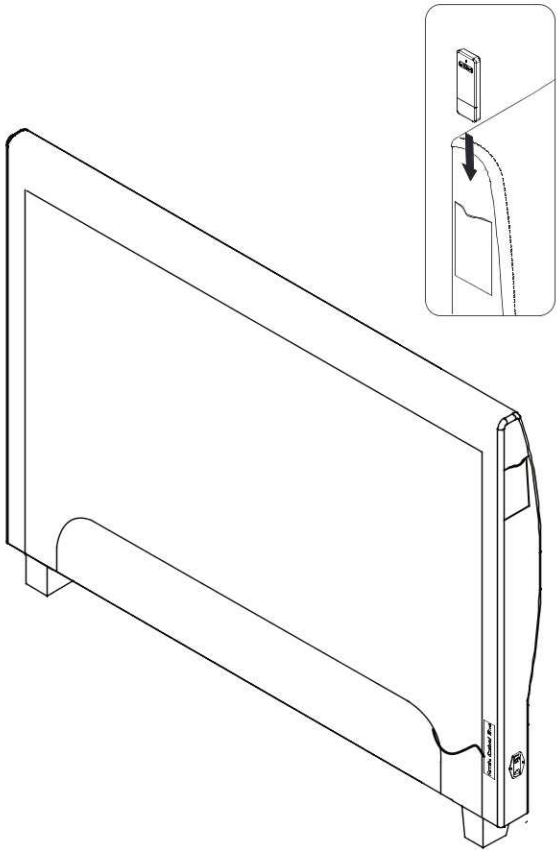
Stage 2

- A  x8
- B  x8
- C  x12
- D  x1
- H  x4

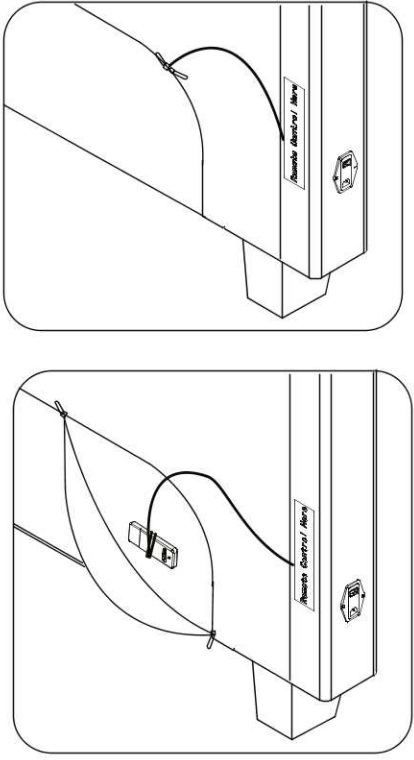


Remove the Remote Control from behind the Storage Flap

Stage
3

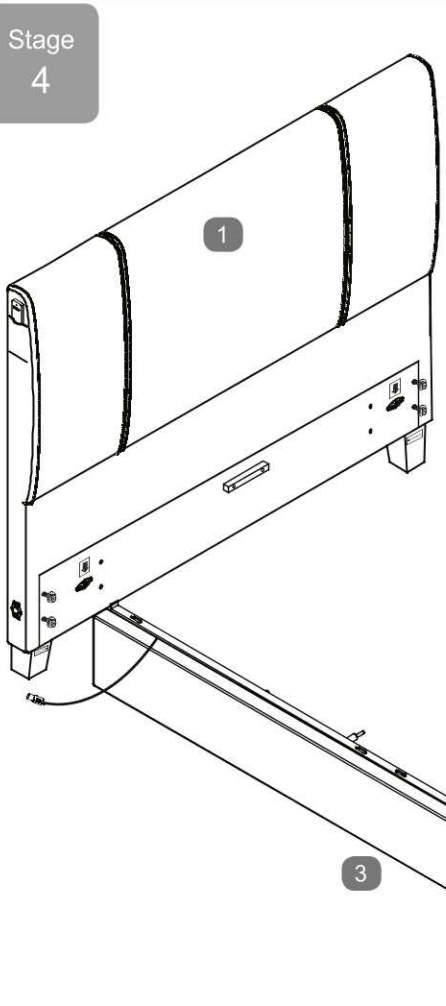


RETRIEVE REMOTE CONTROL & PUT IN THE POCKET FOR SAFE KEEPING.

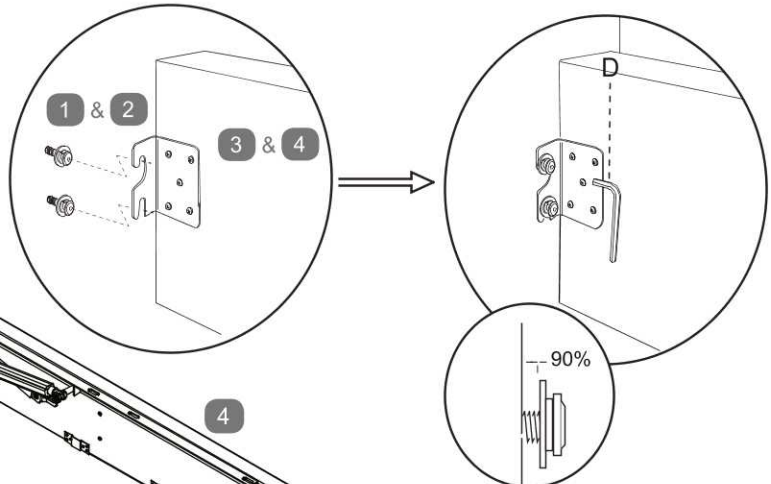


Bed Assembly - Use Pack 'A'

Stage
4



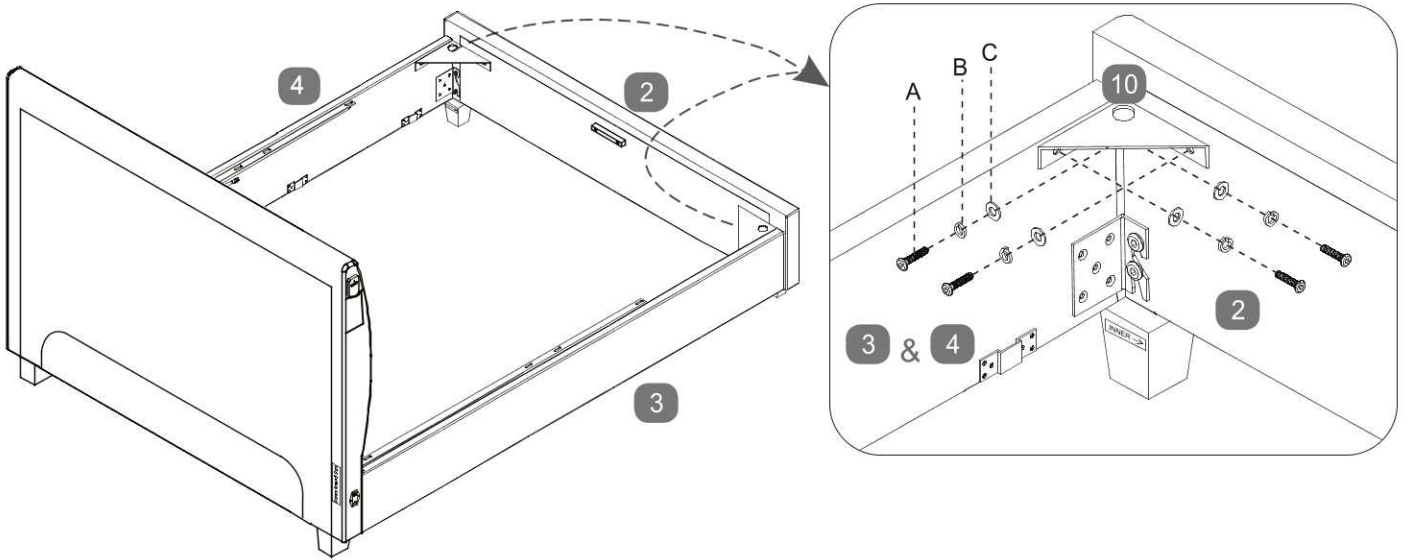
D x1



Loosely fit all the bolts in place but do not tighten yet.

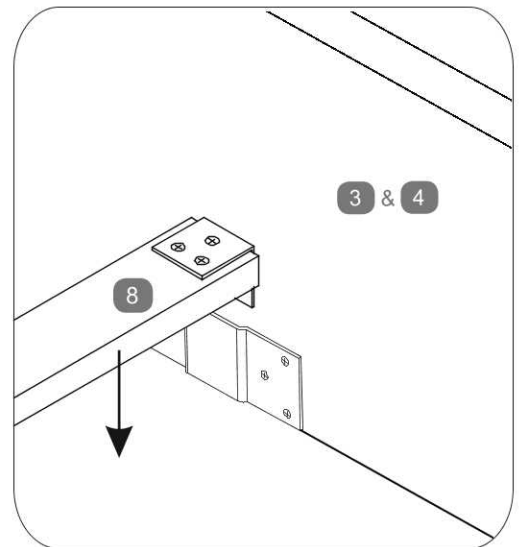
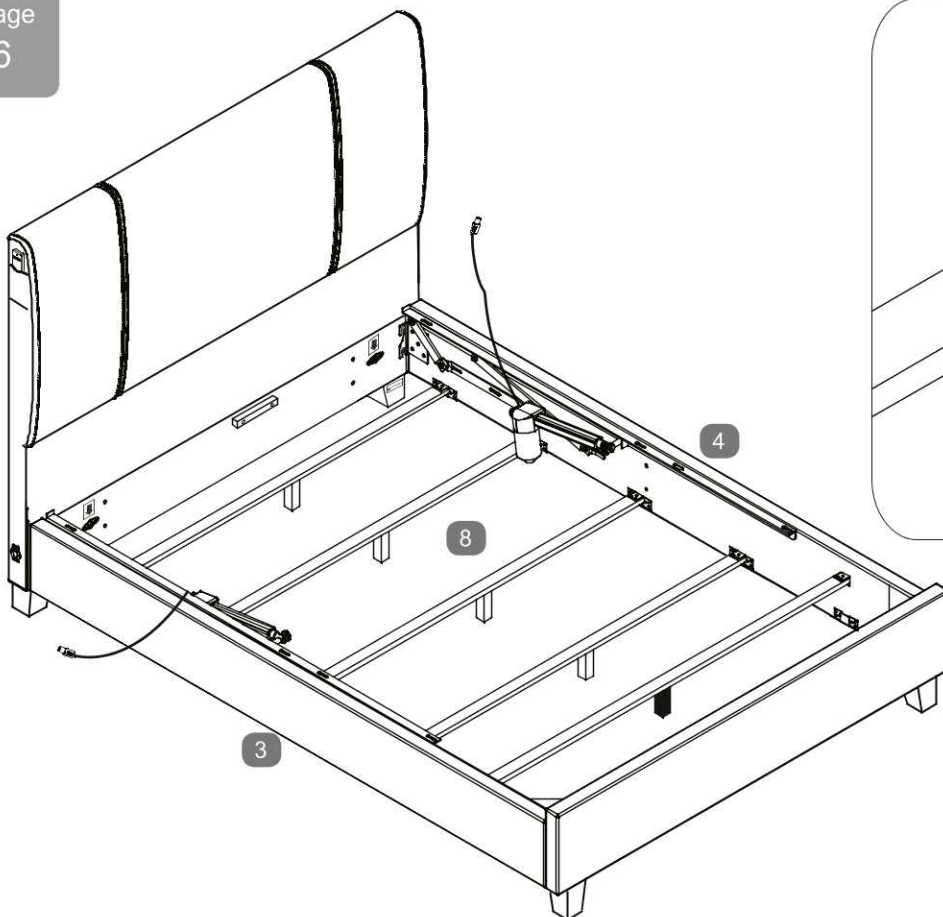
Bed Assembly - Use Pack 'A'

Stage
5

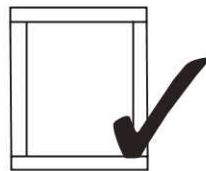
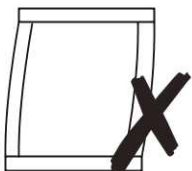


Storage Base Board Assembly

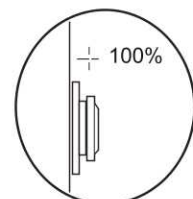
Stage
6



x5

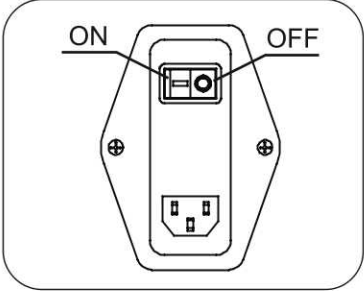
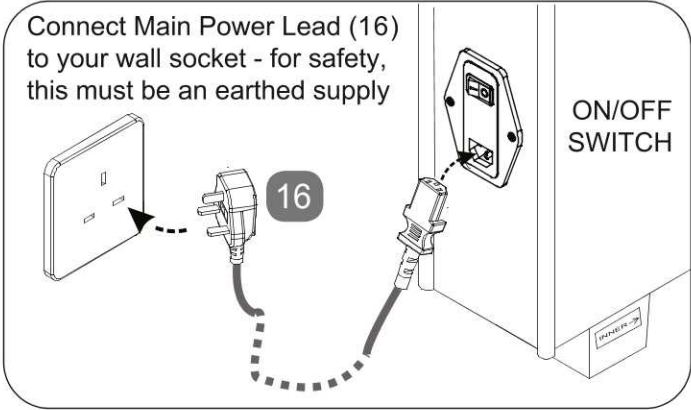
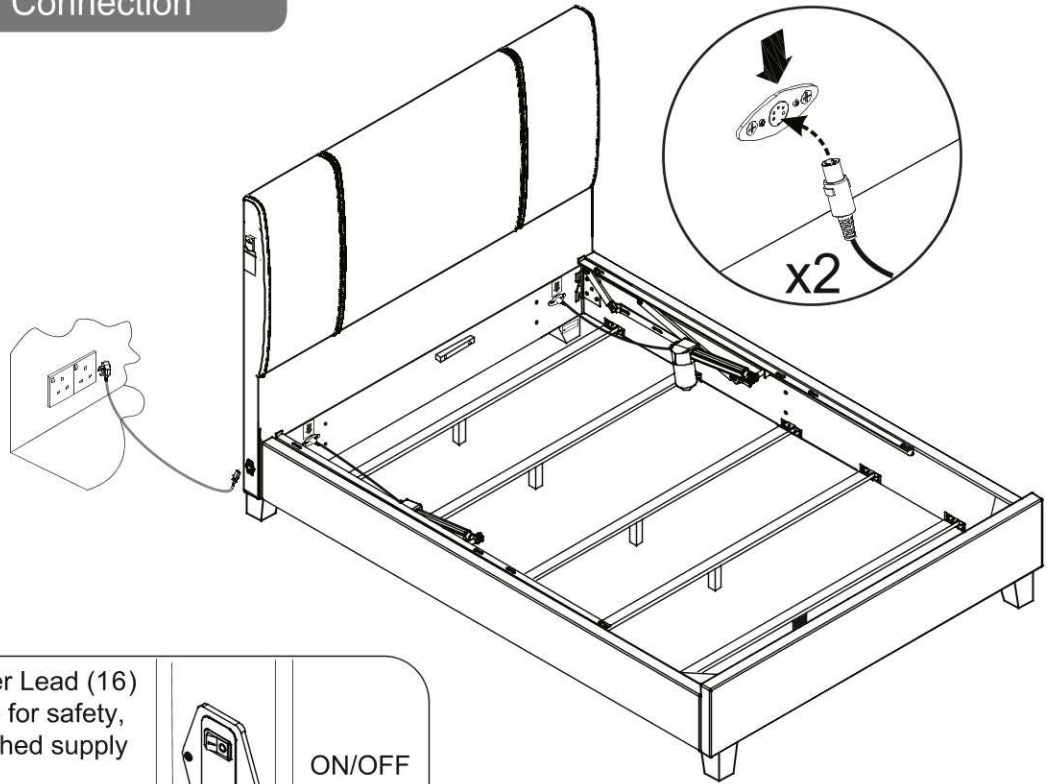


After fitting the support rails, make certain the bed is squared up as shown in the diagram then tighten all bed assembly bolts 100%.



Mains Power Connection

Stage
7

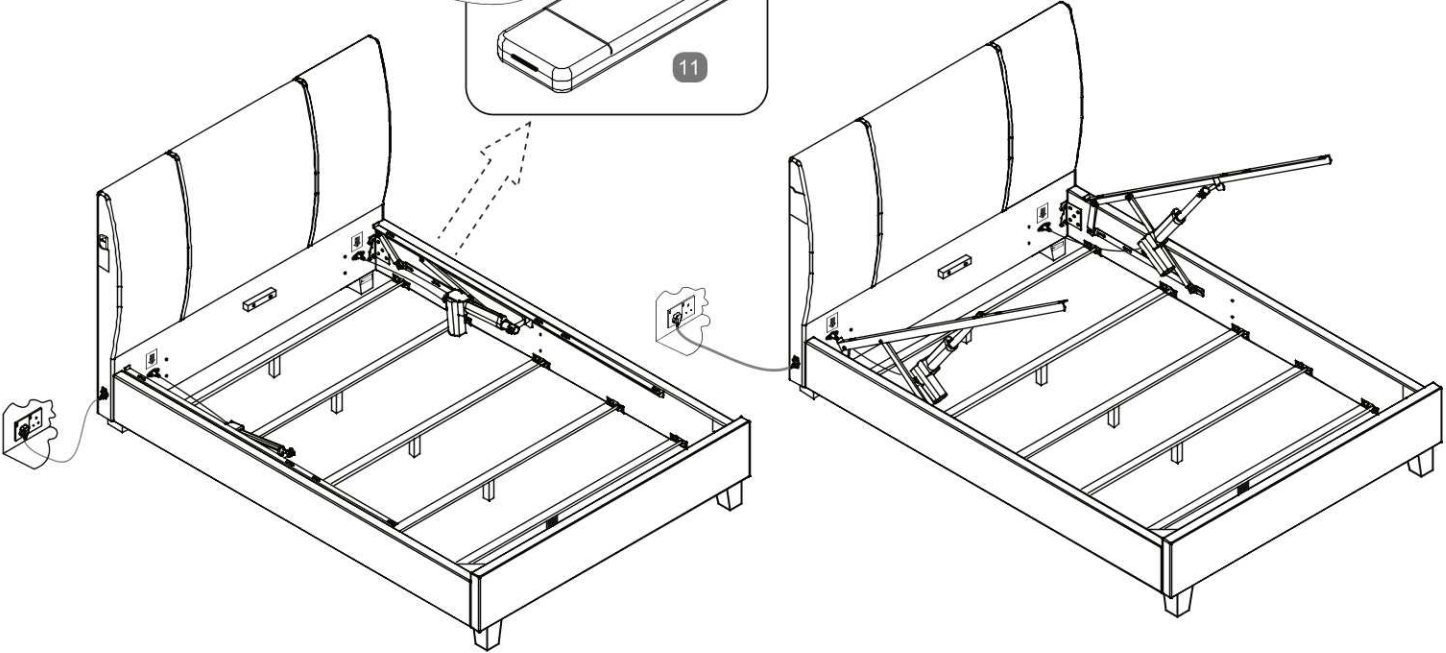
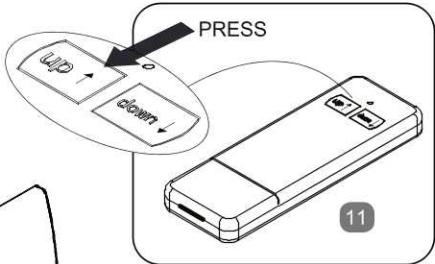


Lift Support Arms with Remote Control UP Button

Stage
8

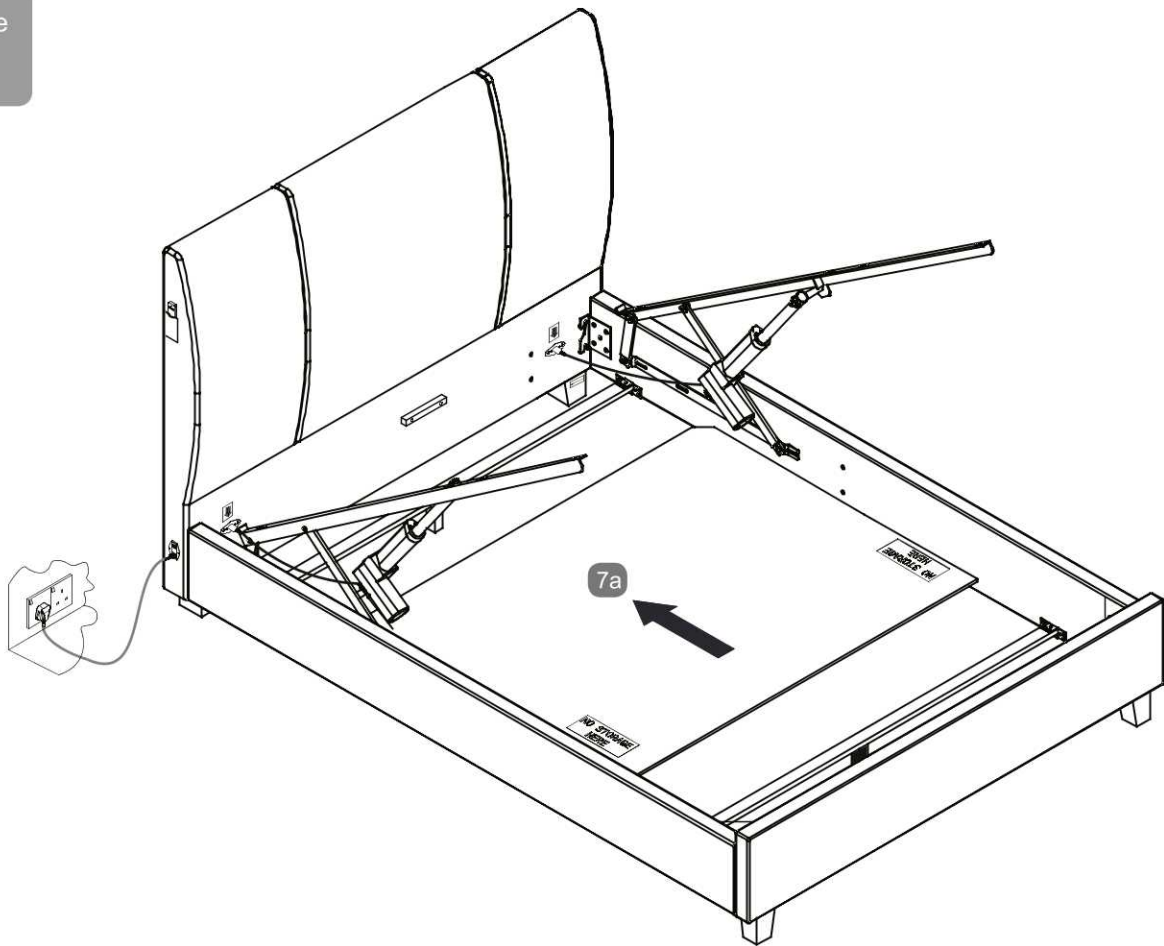


Note: Please do not pull up the support arms! These must be driven up by the motors. Make sure both DIN plugs are pushed in and using the 'UP' arrowed button on the remote control, lift them until they stop. They always stop automatically, in the same position..



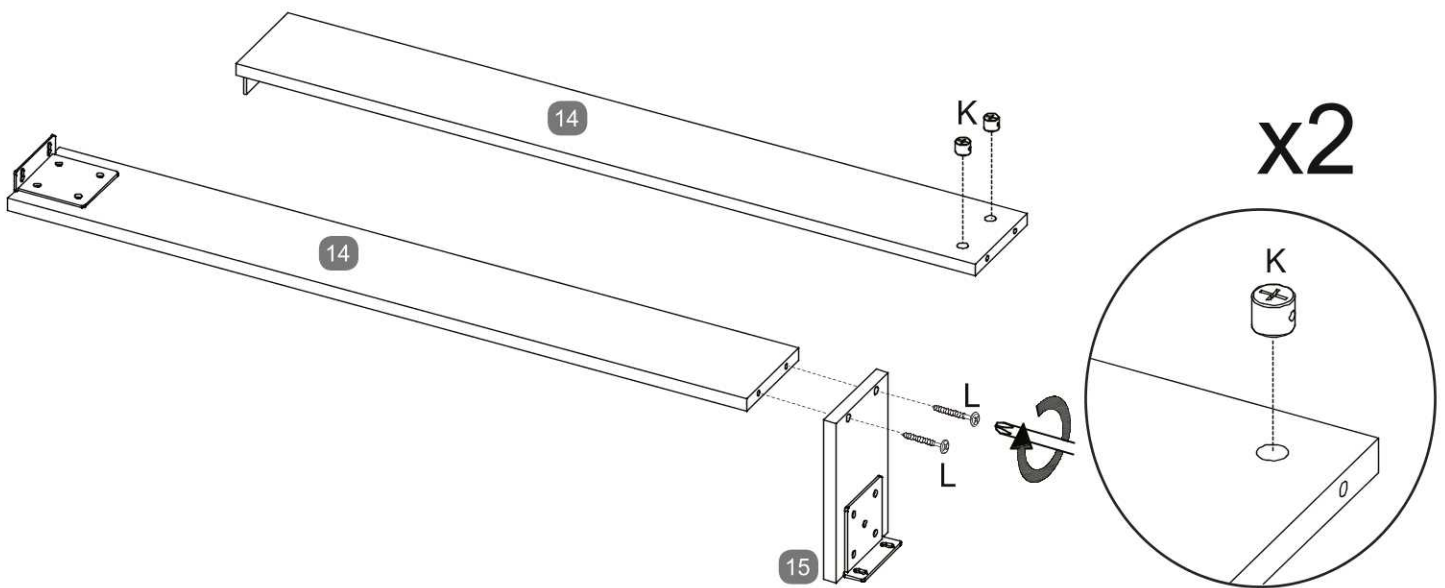
Fit First Storage Base Board (7a)

Stage
9



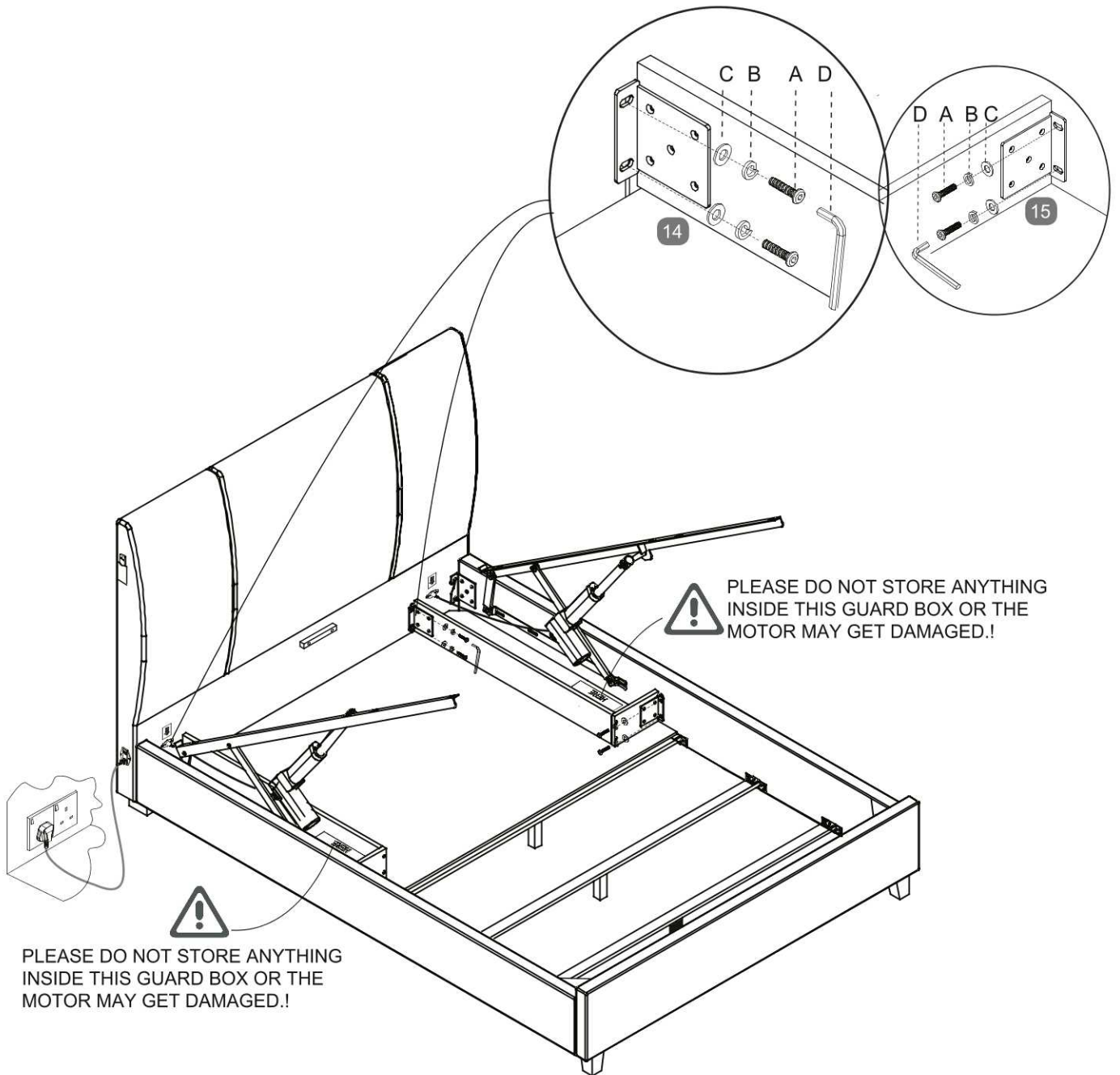
Assemble Motor Guard Assembly - Use Pack 'C'

Stage
10



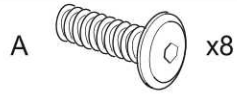
Fit Motor Guard Assembly - Use Pack 'C'

Stage
11



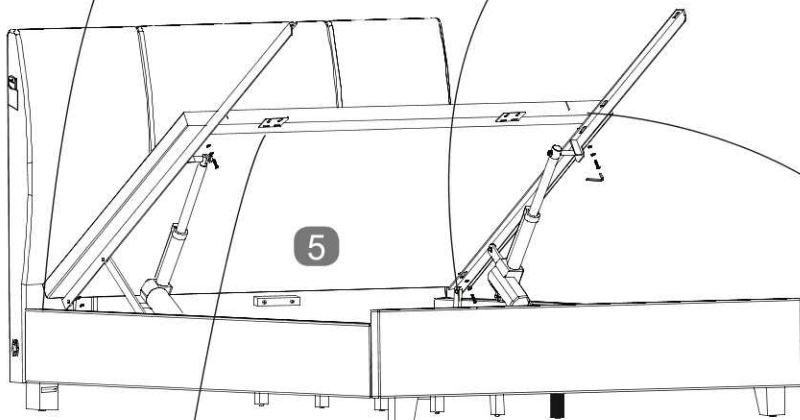
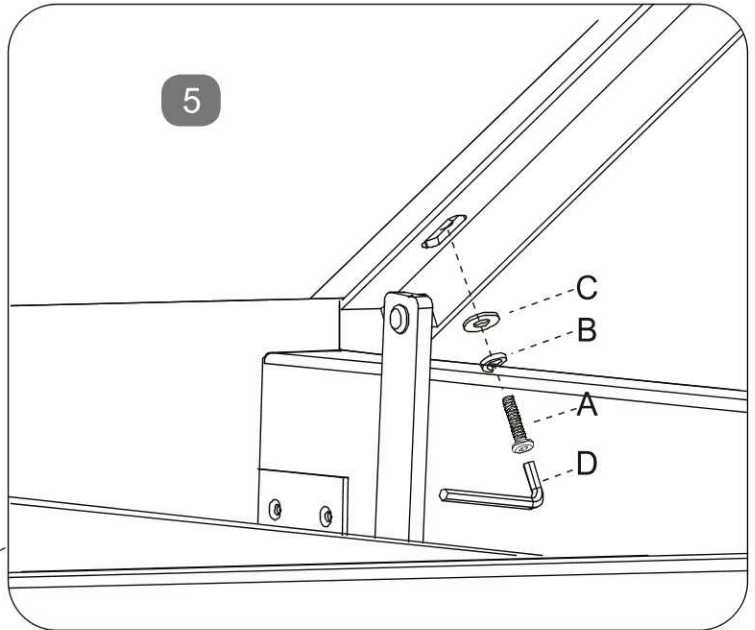
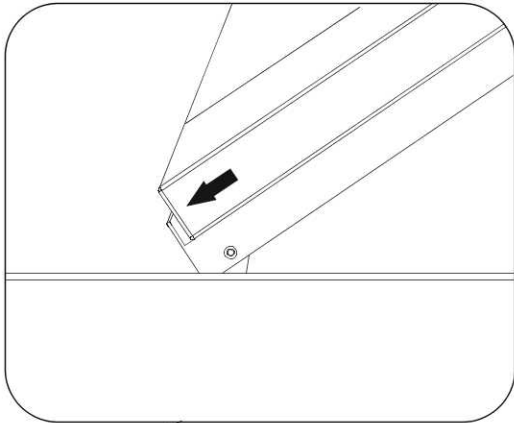
Fit Headend Mattress Base Board (5) - Use Pack 'B'

Stage
12

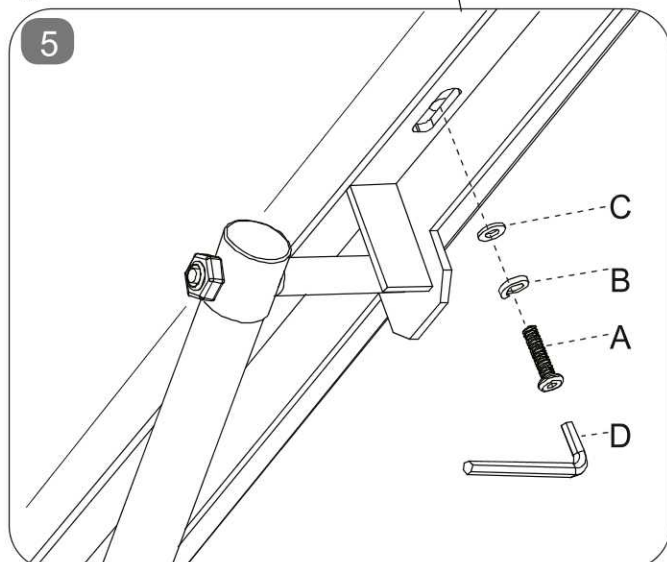
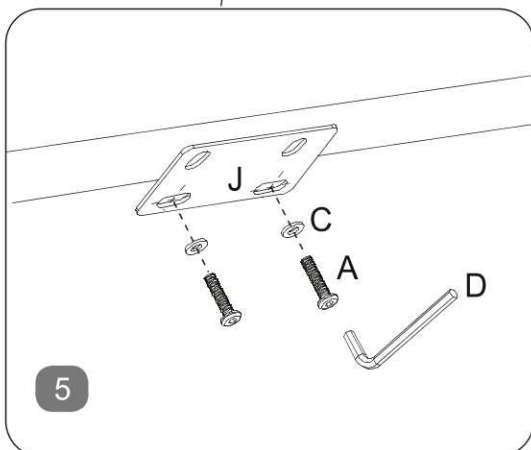


SLIDE HEADEND MATTRESS BASE BOARD (5) UP AGAINST THE LIFTING ARM STOP PLATES - MAKE CERTAIN THE ENDS ARE IN THE CORRECT PLACE WITH THE BASE LEVEL AND SITTING FIRMLY ON THE SUPPORTS ARMS FOR THEIR COMPLETE LENGTH.

CAREFULLY SCREW BOLT SETS INTO MATTRESS BASE BOARDS AS SHOWN - DO NOT TIGHTEN 100% YET.



MOTORS ARE FACTORY FITTED
DO NOT OVER-TIGHTEN THE NUTS.
THERE MUST BE A SMALL GAP.



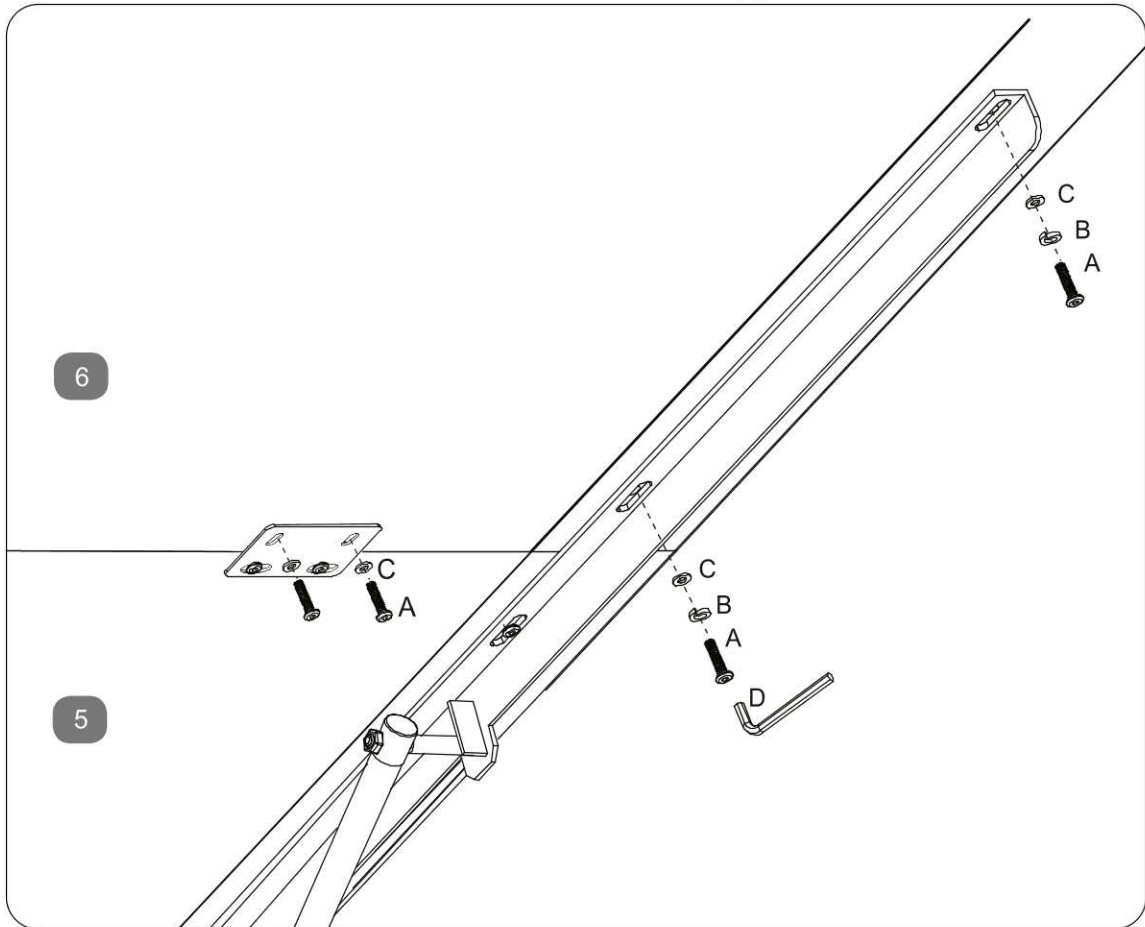
BEFORE FITTING (6) FIT BOTH PLATES (J) TO HEADEND MATTRESS BASE FIRST

Fit Footend Mattress Base Board (6) - Use Pack 'B'

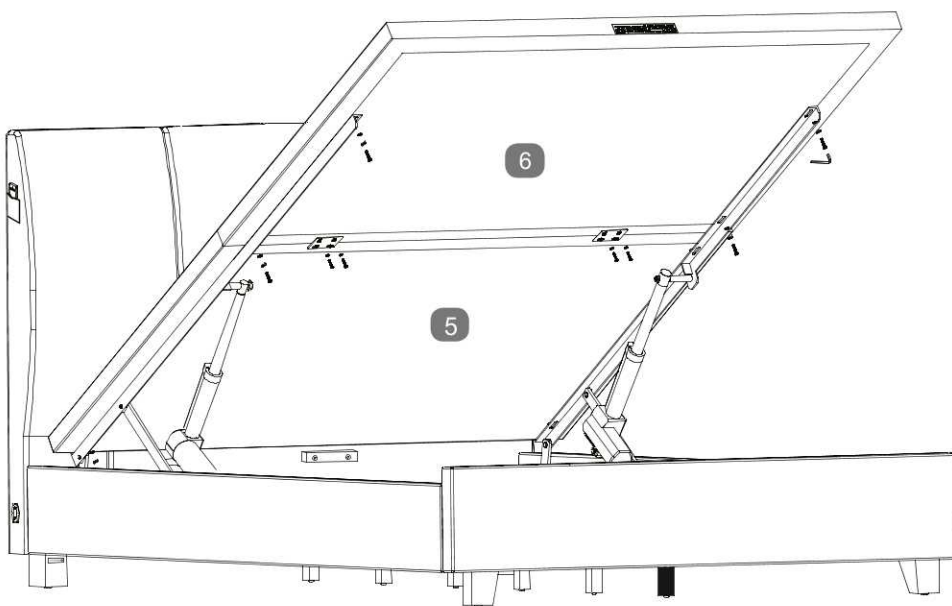
Stage
13



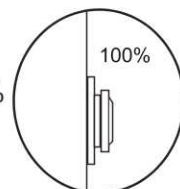
SLIDE FOOTEND MATTRESS BASE BOARD (6) INTO POSITION



LOOSELY CONNECT THE PLATES SCREWING ALL 8 SETS OF BOLTS INTO PLACE

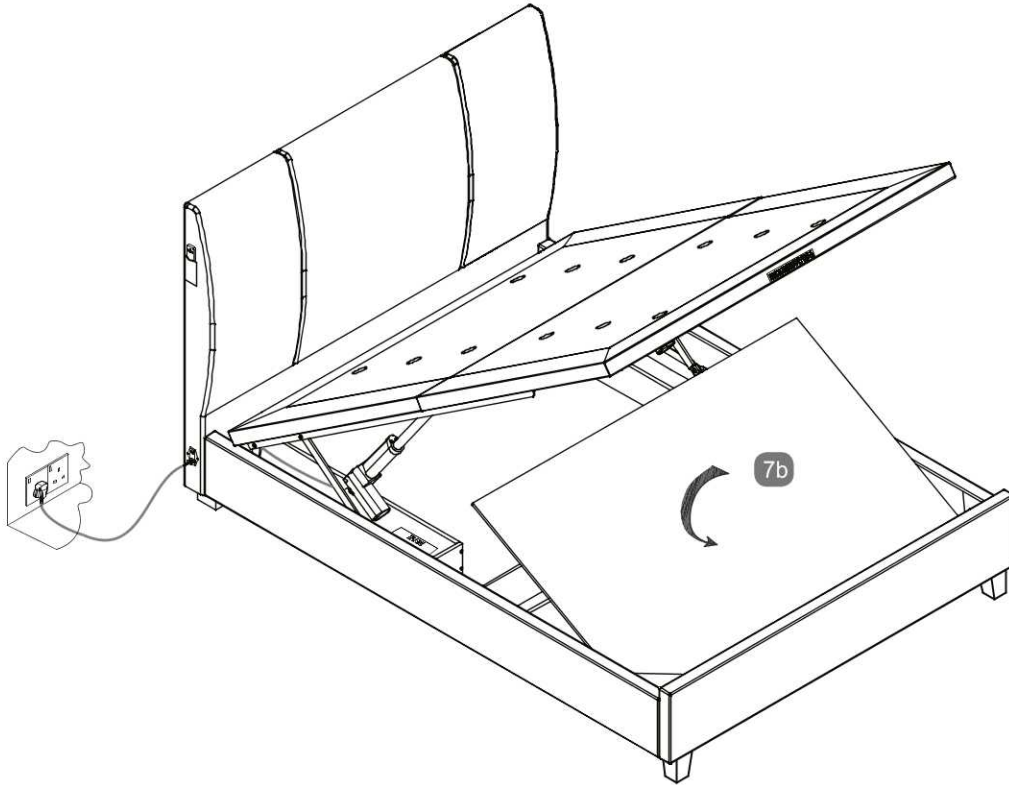


WHEN ALL BOLTS ARE IN PLACE, TIGHTEN ALL x16 BOLT SETS 100%



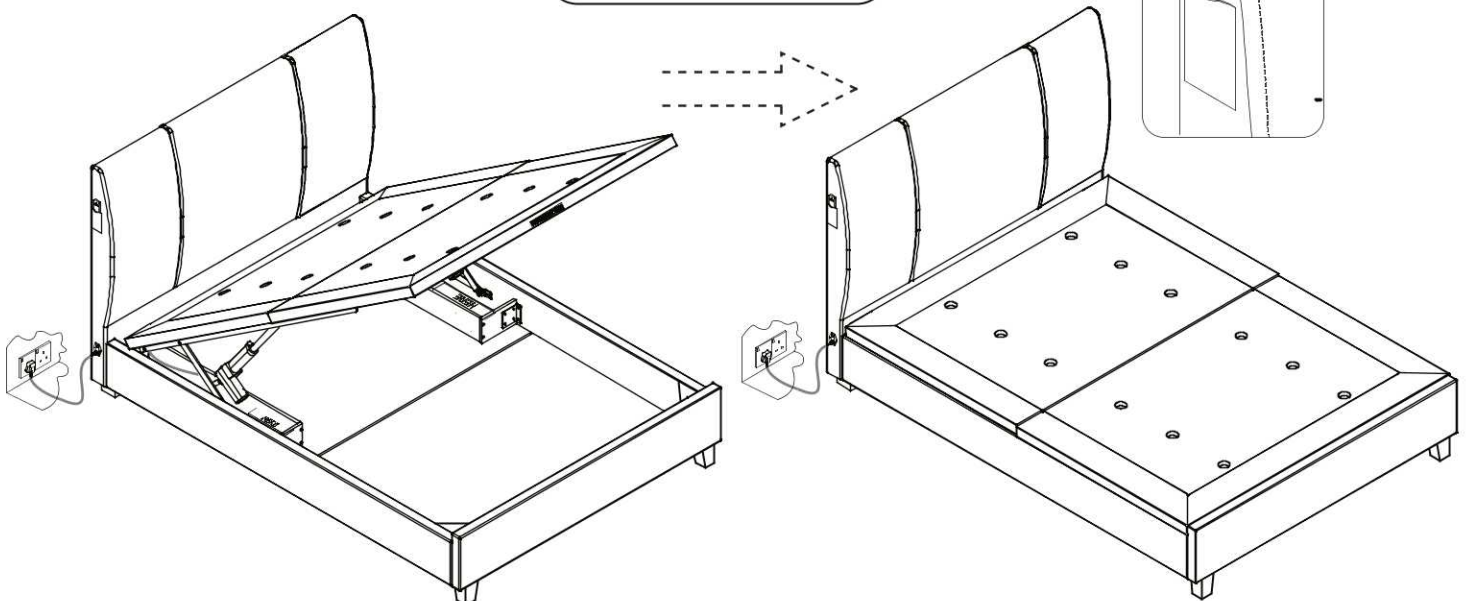
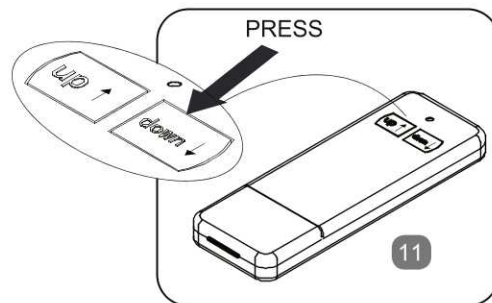
Fit Second Storage Base Board (7b)

Stage
14



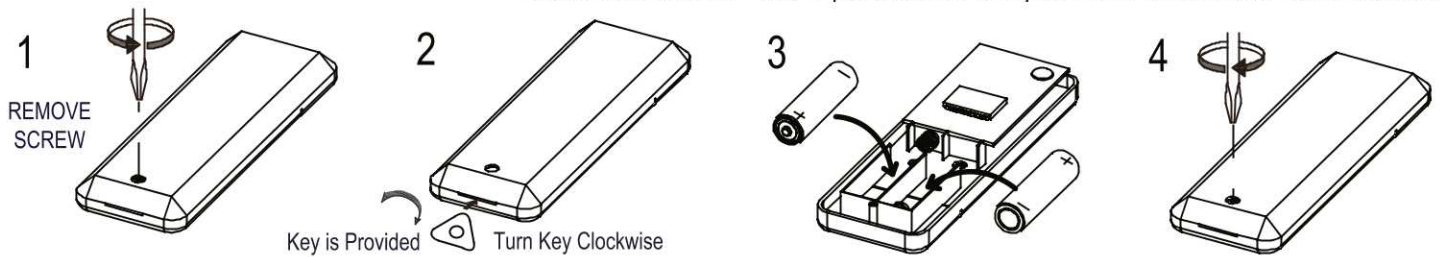
Lower Mattress Base with Remote Control Down Button

Stage
15



Battery Change Guide

The batteries should last about two years with normal use. When you do need to change them, follow these instructions carefully. ⚠ Please take care how you dispose of the old batteries - never put them on an open fire or throw them in the dustbin.

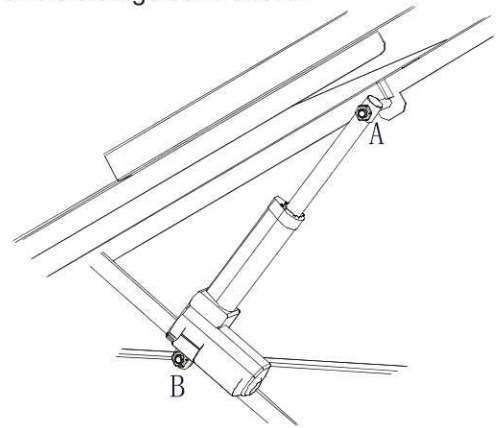


Emergency Lowering

In an emergency such as a power cut and the bed is in the UP position, the bed can easily be lowered by hand;

- o THIS REQUIRES TWO PEOPLE;
- o Turn off the power and remove the mattress.
- o First person supports the mattress base board - if low down, it can be lifted to a working level - if necessary use a suitable prop for safe working.
- o Second person removes the four M8 motor nuts (A&B) with the 17mm spanner supplied in the hardware kit.
- o When doing this, do not stand inside the bed on the storage base boards, if necessary, remove them first.
- o Push the motors off the pivot pins evenly, gently laying them on top of the storage base-board.
- o Bed is then gently lowered into it's lower resting position.
- o Turn off the power switch on left side of Headboard.

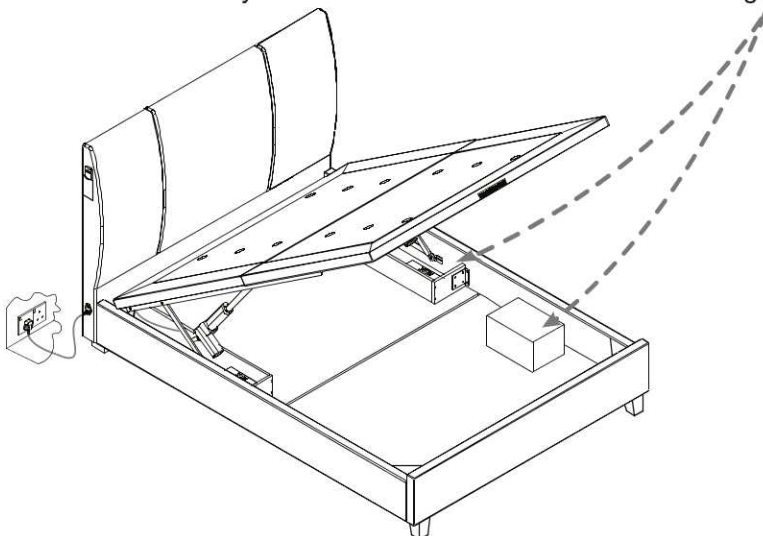
PLEASE THEN CALL CUSTOMER SERVICES 0344 292 00 00



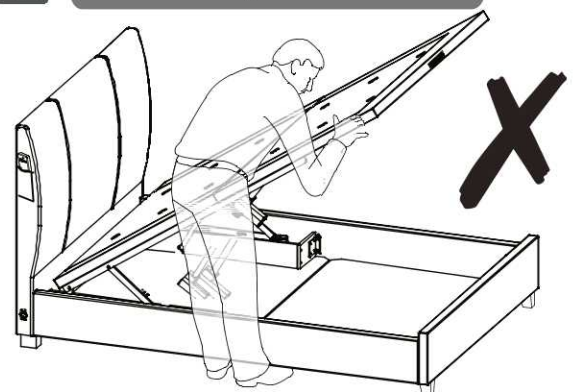
Storage Area

⚠ Be very careful what you store under the bed!

Never store anything inside the motor guards or motors may be damaged. The top of an item, like a box or suitcase, must not touch the underside of the mattress base boards. If on the downward travel, the mattress base stops - release button immediately & check for obstructions. Maximum storage height is 210mm.



Moving the Bed



Never try to move the bed by pushing on the mattress base boards or the bed may get damaged and cannot be lowered.

Motor Synchronisation

- o If mattress base board is not level make sure both DIN plugs are firmly pushed into their sockets.
- o Drive mattress base boards down to their lowest point where base boards sit down on the side rails.
- o When boards touch top of the rails, keep finger on down button for a further 8 secs.
- o Motors are now synchronised and will operate simultaneously.