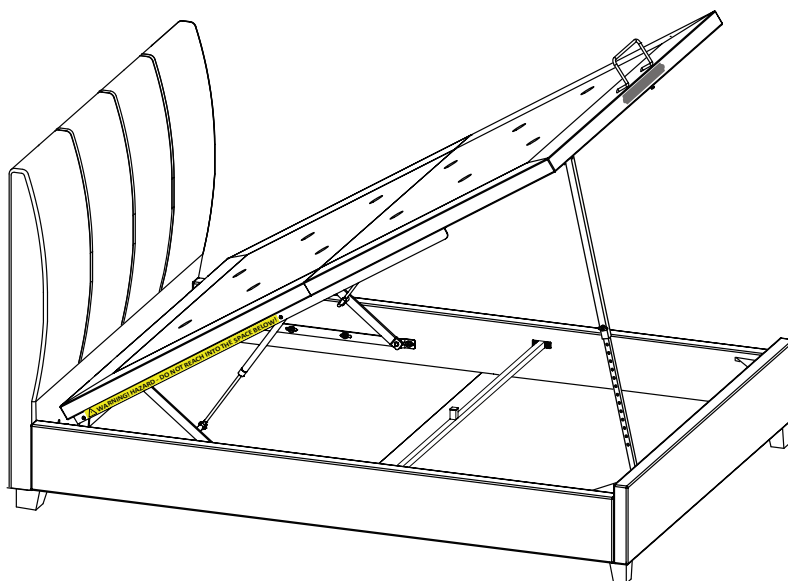


Francesca Storage Bed with O.S.B.

Single
Small Double
Double
King
Super King



IMPORTANT OTTOMAN SAFETY WARNINGS

- **IMPORTANT - READ CAREFULLY - RETAIN FOR FUTURE REFERENCE**
- **You must ensure that the mattress is on the bed frame before operating the lift mechanism - Failure to do so could result in injury.**
- **Keep hands clear of the mechanism when opening or closing the ottoman.**
- **Beware of entrapment - Never reach in through the mechanism to access the storage area.**
- **Always ensure that the ottoman is FULLY opened before accessing the storage area.**
- **Do not exceed the maximum weight as specified in the table below:**

Bed	Bed Size	Min Weight (kg)	Max Weight (kg)
Francesca (manual)	Single	10	25
	Small Double	10	35
	Double	10	40
	King	15	45
	Super King	20	50



1.5 hour approx
assembly time



Two person
assembly

Dreams

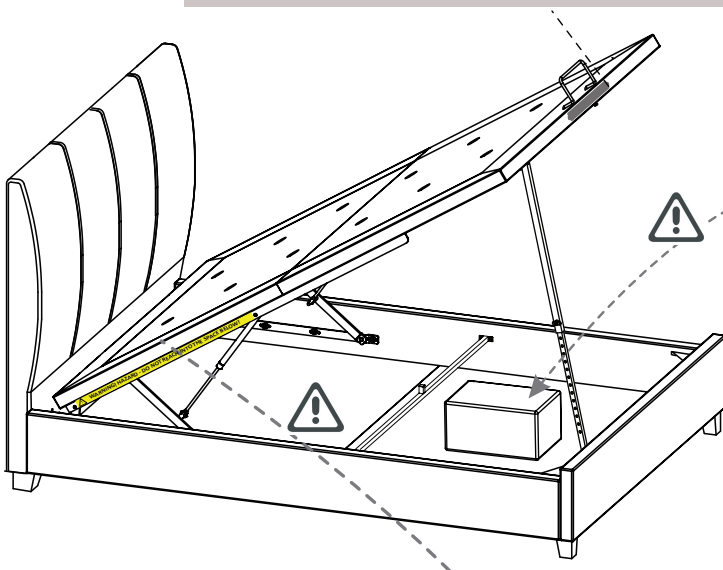
IMPORTANT OTTOMAN SAFETY WARNINGS Cont.



- Use caution when operating, always use the handle when lifting.
- Note: This bed uses a pressurised mechanism.
- To be operated by adults only.
- Please ensure that children and pets are kept away from the bed when operating the lift mechanism.
- Keep children and pets away from the storage area.
- Do not overload the internal storage base.
- Do not stand inside the internal storage area of the bed.
- Before removing the mattress secure the frame to ensure it does not open unexpectedly.
- Do not attempt to lie on the mattress when the ottoman is in the raised position.
- When lifting the ottoman, remove all bedding except the fitted sheet.

NB - TO AVOID ACCIDENTS, PLEASE CAREFULLY READ EACH POINT.
WHEN ACCESSING THE STORAGE AREA THE OTTOMAN FRAME MUST BE FULLY OPEN AND THEN FULLY CLOSED AFTERWARDS.
BE CAREFUL WHEN LIFTING. LIFT ONLY WITH THE MATTRESS IN PLACE.
KEEP HANDS CLEAR OF THE MECHANISMS WHEN OPERATING THE LIFT-UP BASE SYSTEM.
TO AVOID TRAPPING YOUR FINGERS, USE ONLY THE HANDLE OR HAND STRAP TO LIFT AND LOWER THE BASE.

THE LIFT UP FRAME IS INTENDED TO BE OPERATED BY ADULTS ONLY.
DO NOT REACH INTO THE STORAGE AREA THROUGH THE HINGE MECHANISMS.
KEEP CHILDREN AND PETS AWAY FROM THE MECHANISM AND STORAGE AREA.
DO NOT STAND INSIDE THE INTERNAL STORAGE AREA OF THE BED.
DO NOT OVERLOAD THE INTERNAL STORAGE BASE.



Note: Be very careful what you store under the bed - the top of an item, like a suitcase or a box, must not touch the underside of the mattress base or it may get damaged.
Maximum item height is 225mm.

! WARNING! HAZARD - DO NOT REACH INTO THE SPACE BELOW!

Ottoman Beds - Important Safety Features

Our aim is always to give you the best experience and to ensure every effort has been made to guarantee your comfort and safety. Please take time to look at these instructions as they will help remind you how to operate your ottoman bed safely.

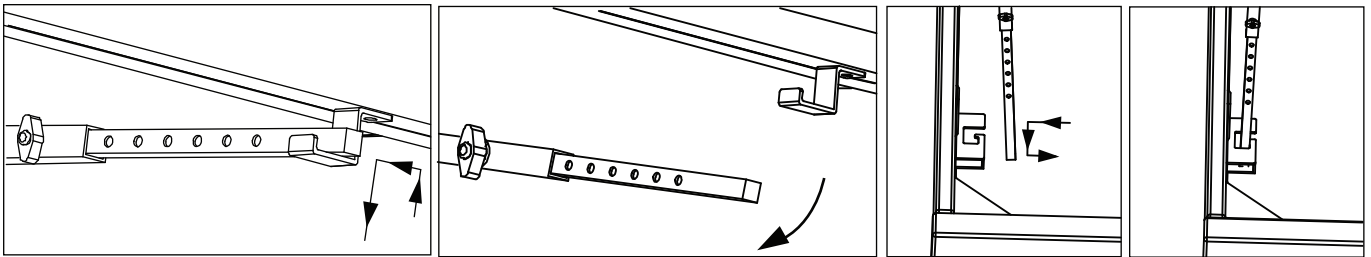
Here's a few things you need to remember;

- ✓ **Pistons are already assembled in their correct orientation - this improves piston performance and durability.**
- ✓ **"Break in " the piston seals on first use by raising & lowering the platform at least five times.**
- ✓ **Recommended mattress weights - do not exceed the maximum relevant weight specified on the Assembly Instruction.**
- ✓ **Ottoman support bar - always engage the support bar when accessing the ottoman storage area.**

Read all the instructions before using your Ottoman bed-frame and save the instruction booklet for future reference.

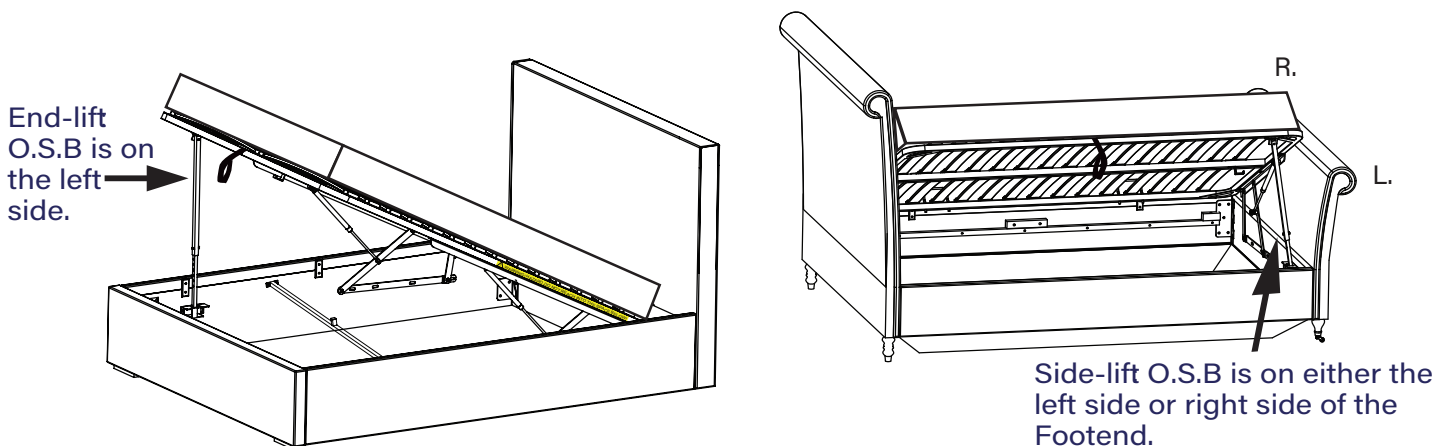
Ottoman Support Bar (O.S.B.)

For optimal safety during operation, always ensure the O.S.B. is engaged when accessing the ottoman storage area.



1. Always raise the ottoman slat-frame to it's highest position before using the storage area.
Locate the end of the O.S.B and insert into the fixed retaining bracket on the bed frame.
2. When you are ready to lower the ottoman platform, return the O.S.B to its original parking position.
3. Always ensure that the O.S.B is in position when the ottoman is open, this prevents injury, or damage to the product.

Location of the O.S.B



WARNING! Risk of Entrapment

- The pistons on the ottoman bed frame can support a maximum load (evenly spread) as indicated in the Minimum and Maximum load table, in the main Assembly Instruction.
- Overloading the sleeping platform may contribute to damage to the product resulting in potential serious injury.
- Do not sit on the mattress whilst the platform is in motion or is in the raised position.
- Users should only get in and out of bed when platform is in the flat (horizontal) position.

Thank you

Hello, thanks for choosing to purchase your bed from Dreams - you're now on your way to your best ever night's sleep. Before you begin building your bed, please take a moment to read through the instructions and make sure that you've got all the relevant parts listed on the following pages.



Assembly tips

Before you begin, it's best to identify all parts and fittings to build your bed. We advise laying these out on the floor to check you have everything, and familiarising yourself before building.



Top tip

We recommend that you build your new bed in the room you'd like it to be located - this will help prevent any risk of damage to your newly built bed whilst moving it.



Safety and care

It's really important to ensure children and animals are kept away from the assembly area, as there are small components used in this bed which could present a choking hazard. All plastic and wrapping materials should also be kept away from children and animals to prevent any risk of suffocation. To keep your little ones busy, there is a colouring page inside the back cover.



Help and support

At Dreams, it's our mission to give the whole nation a great night's sleep - this means that the quality of our products is of utmost importance to us. If there are any issues with your product or any missing parts, please contact our Help Centre on 0800 652 6750, where a member of our team will be happy to help. (For customers based in Northern Ireland, please call 028 9050 8300)



Recycling

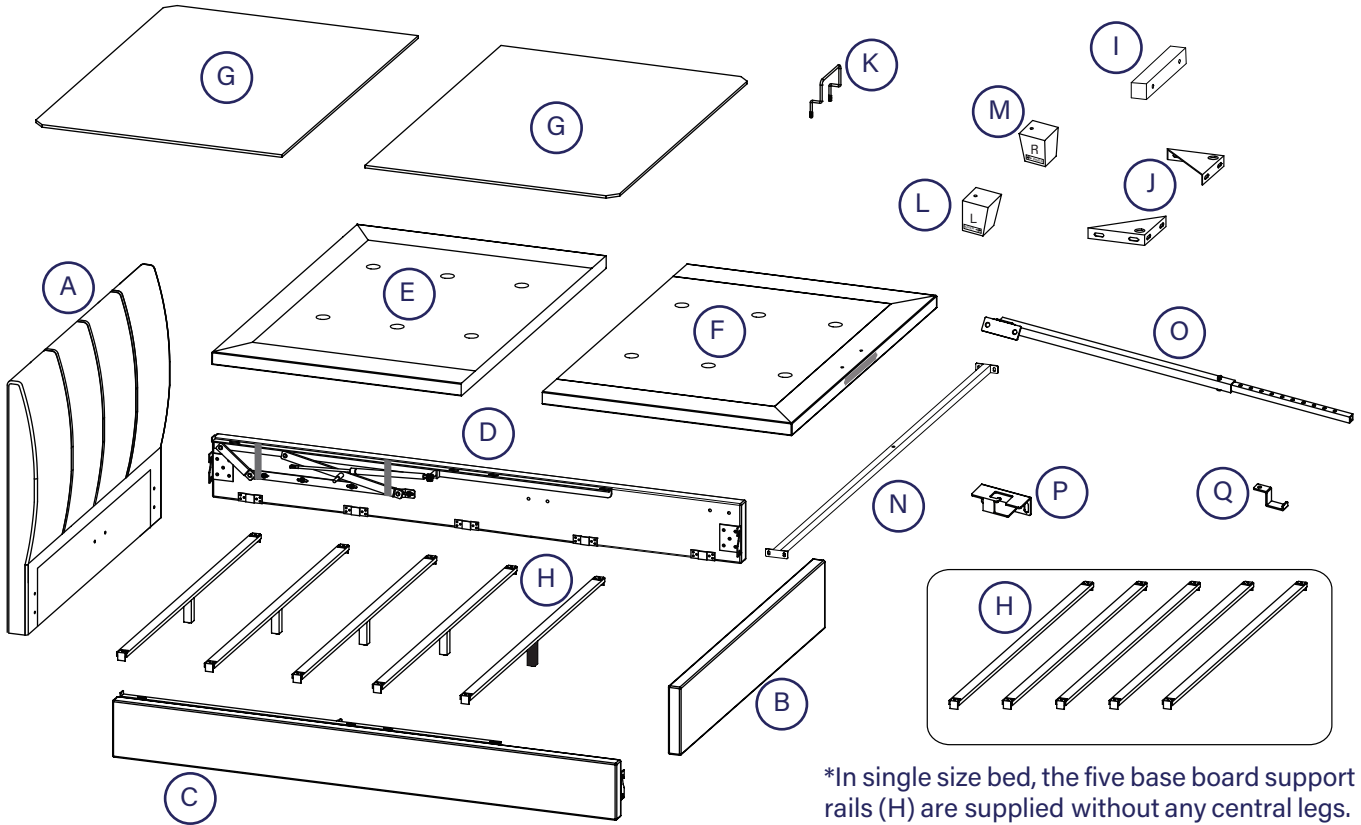
Please ensure that packaging is disposed of in a safe and environmentally friendly way, and recycle where possible. Our assembly instructions are printed on recycled paper. Please keep your assembly instructions safe to refer back to in the future.

Parts

Important information

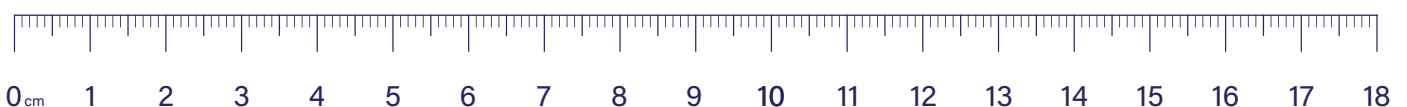
The bed you have purchased comes with an Ottoman lift up base, please follow the instructions in the current order.

To prevent accidents carefully read the ottoman safety warnings for this bed, on pages 1 & 2 of this guide.



Parts list

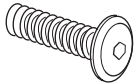




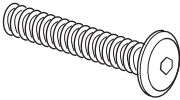
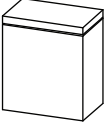
Code	Description	Qty	Box	Code	Description	Qty	Box
A.	Headboard	1	1	J.	Angle Corner Brackets	2	2
B.	Footboard	1	2	K.	Mattress Base Lifting Handle	1	2
C.	Side rail - Left	1	3	L.	Feet - Left	2	2
D.	Side rail - Right	1	3	M.	Feet - Right	2	2
E.	Mattress Base Board - Headend	1	4	N.	Side Rail Cross Bar	1	2
F.	Mattress Base Board - Footend	1	4		Ottoman support bar PACK (O.S.B.)		
G.	Storage Base Boards	2	4	O.	Ottoman support bar	1	3
H.	Base Board Support Rails (Wood)	5	2	P.	Fixed retaining bracket - footboard	1	3
I.	Mattress Base Support Rails	2	2	Q.	Parking bracket - mattress base board	1	3



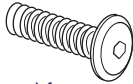


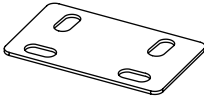
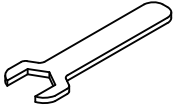

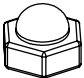

Fittings

Please check you have all the parts listed below with your product:



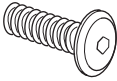
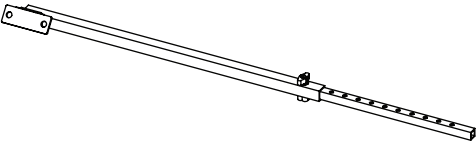
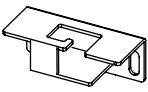
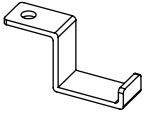
Hardware needed for fixing side rails to headboard & footboard packed in side rail pack 3 - hardware pack (A)

<p>a x20</p>  <p>Bolts (M8x30mm) for fitting side rails (C&D) to headboard & footboard (A&B)</p>	<p>b x20</p>  <p>Spring washers for M8 bolts</p>	<p>c x29</p>  <p>Flat washers for M8 bolts</p>	<p>d x1</p>  <p>Allen Key for M8 bolts</p>	<p>h x8</p>  <p>Bolts (M8x60mm) for fitting feet (L&M) and mattress base support rail (I)</p>
<p>l x1</p>  <p>Bolts (M8x45mm) for fitting support block (p) to side rail cross bar (N)</p>	<p>p x1</p>  <p>Support block for side rail cross bar (N).</p>			

Hardware needed for fitting mattress base boards, packed in side rail pack 3 - hardware pack (B)

<p>a x16</p>  <p>Bolts (M8x30mm) for fitting gas-lift mechanism and metal connecting plates (j) to mattress base boards (E&F).</p>	<p>b x8</p>  <p>Spring washers for M8 bolts</p>	<p>c x16</p>  <p>Flat washers for M8 bolts</p>	<p>e x2</p>  <p>Metal plates for connecting mattress base boards (E&F)</p>	<p>f x1</p>  <p>Spanner for M8 nuts</p>
<p>g x2</p>  <p>Flanged M8 lock-nuts for gas-lift pistons</p>	<p>i x2</p>  <p>Domed M8 nuts (black) for fitting mattress base lifting handle (K) to mattress base board (F)</p>	<p>j x4</p>  <p>Flat washers (black) for nuts (i)</p>	<p>Please Note: Domed nuts ('i') & flat washers ('j') are pre-fitted to lifting handle (K)</p>	

Hardware needed for fixing ottoman support bar (O.S.B) to the side rail packed inside the side rail carton, inside Pack 3 - hardware pack (C)

<p>b x5</p>  <p>Spring washers for M8 bolts</p>	<p>c x5</p>  <p>Flat washers for M8 bolts</p>	<p>m x5</p>  <p>Bolts (M8x25mm) for fitting ottoman stay system</p>	<p>O x1</p>  <p>Ottoman support bar</p>
<p>P x1</p>  <p>Fixed retaining bracket - side rail</p>	<p>Q x1</p>  <p>Parking bracket - slat frame</p>		

Tools required



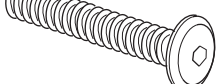


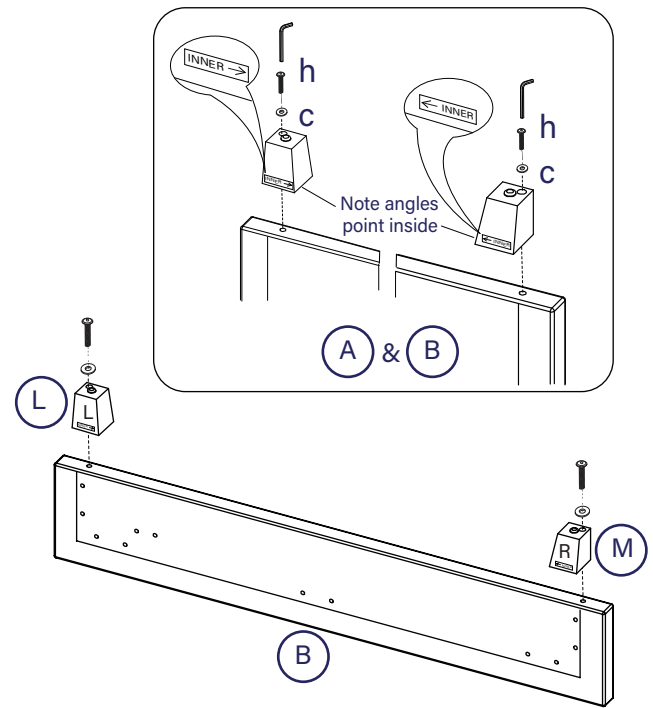
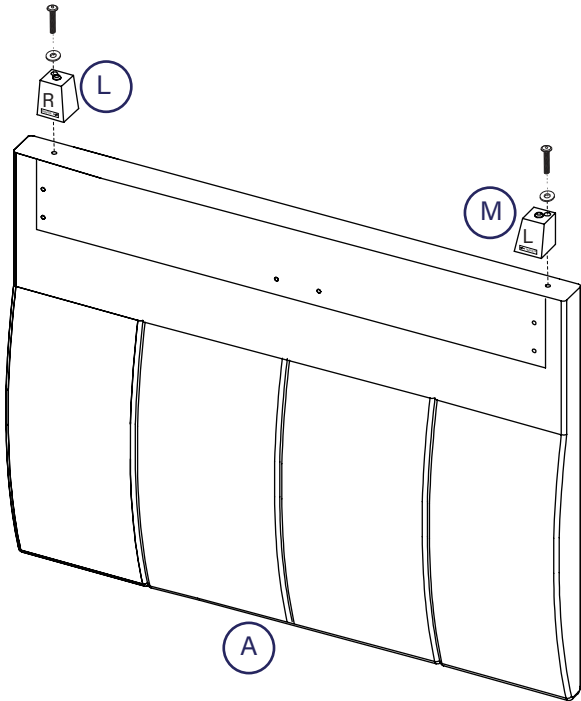
Tape measure



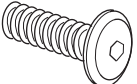


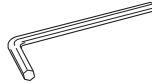
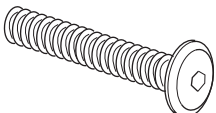
Cross head screwdriver

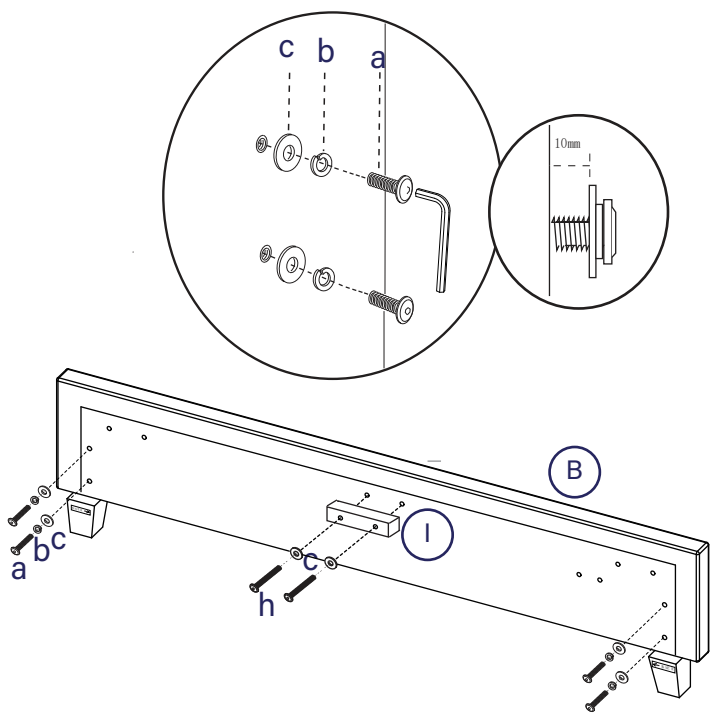
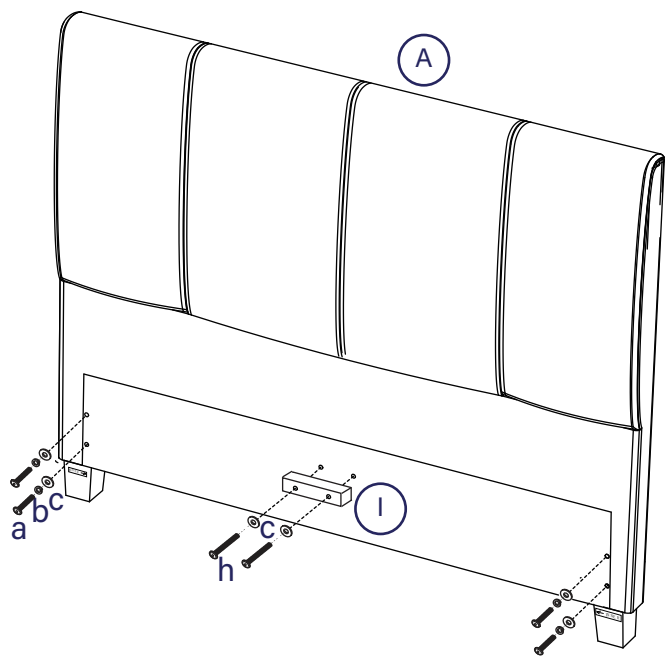
1 Bed assembly- use pack 'A'

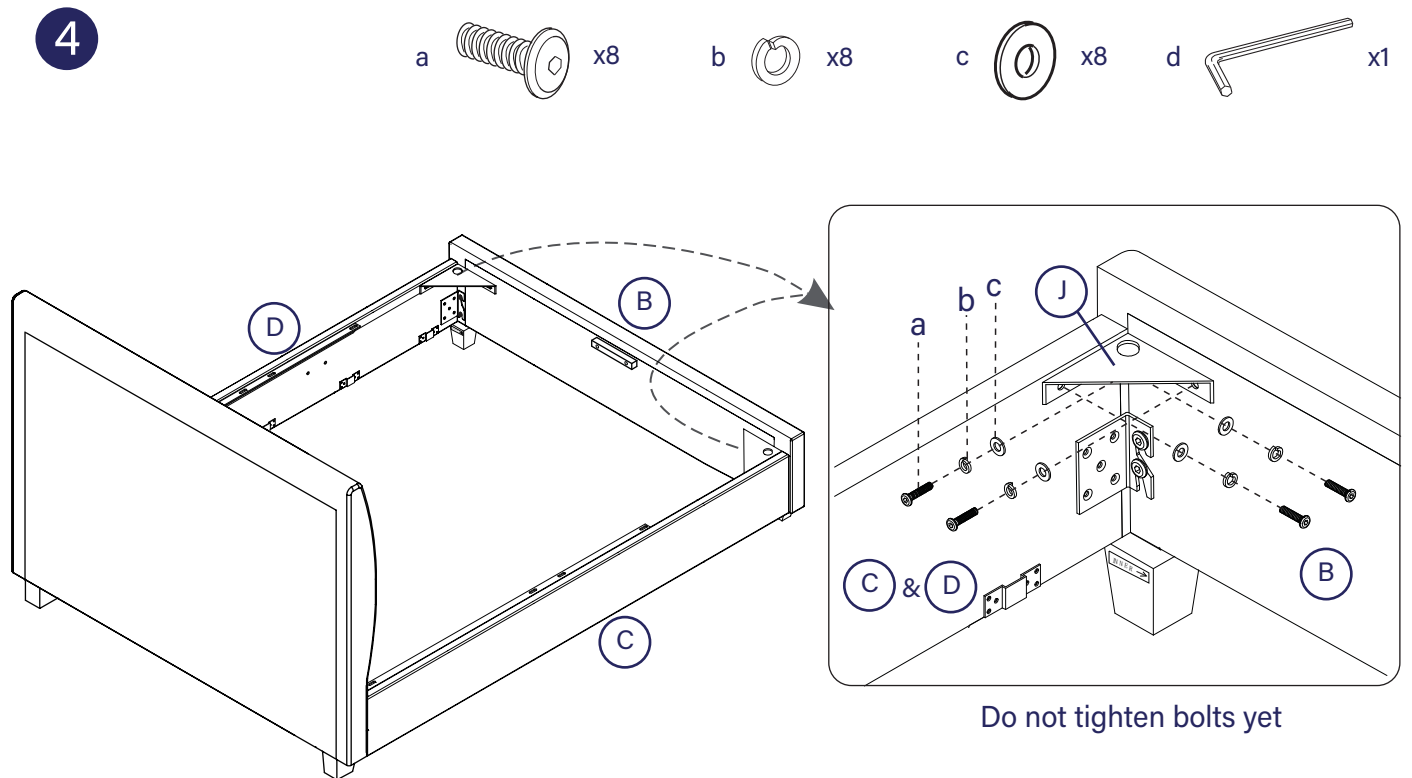
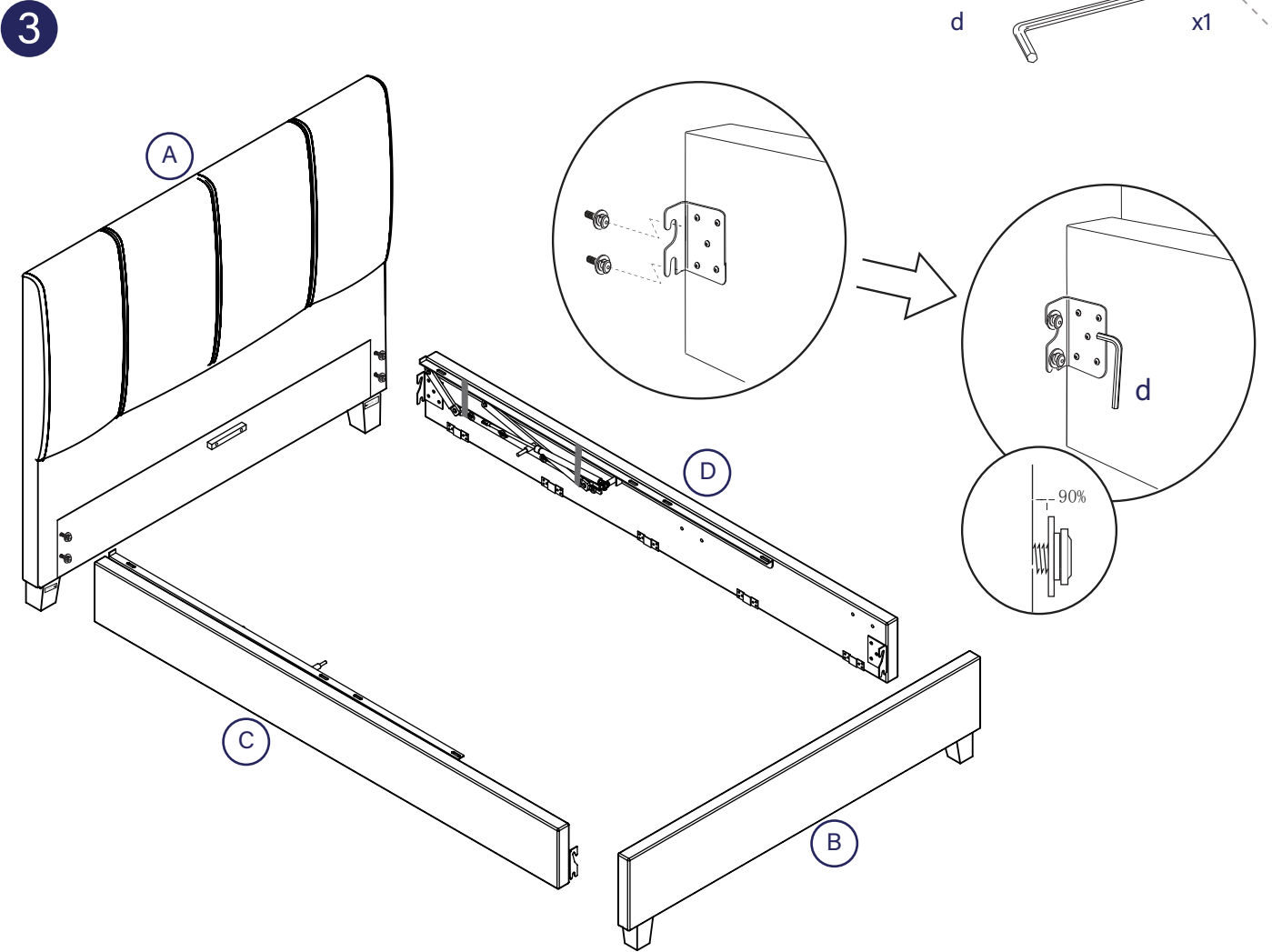
- c  x4
- d  x1
- h  x4



2

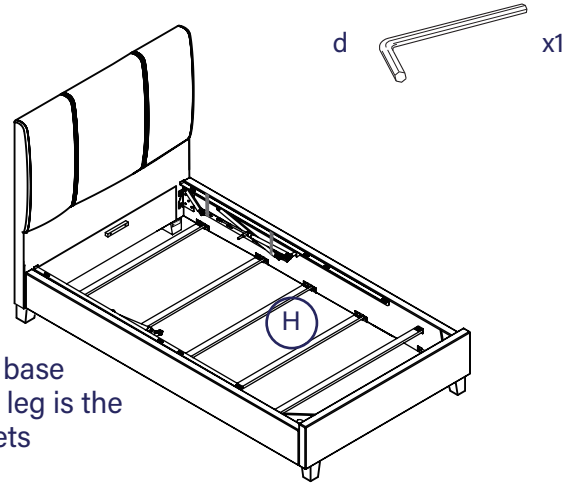
- a  x8
- b  x8
- c  x12
- d  x1
- h  x4



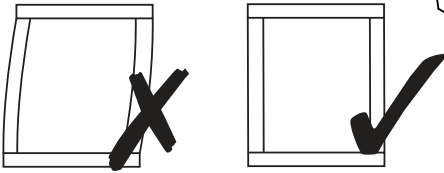
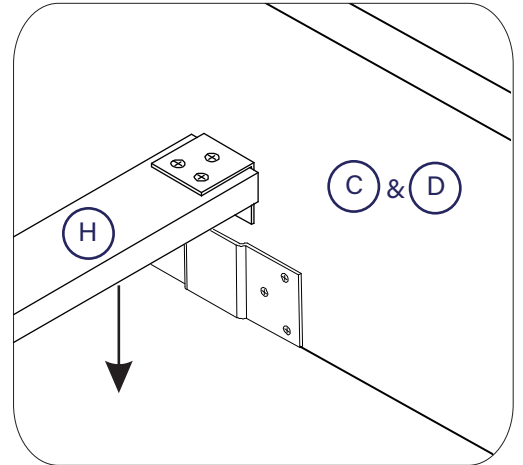
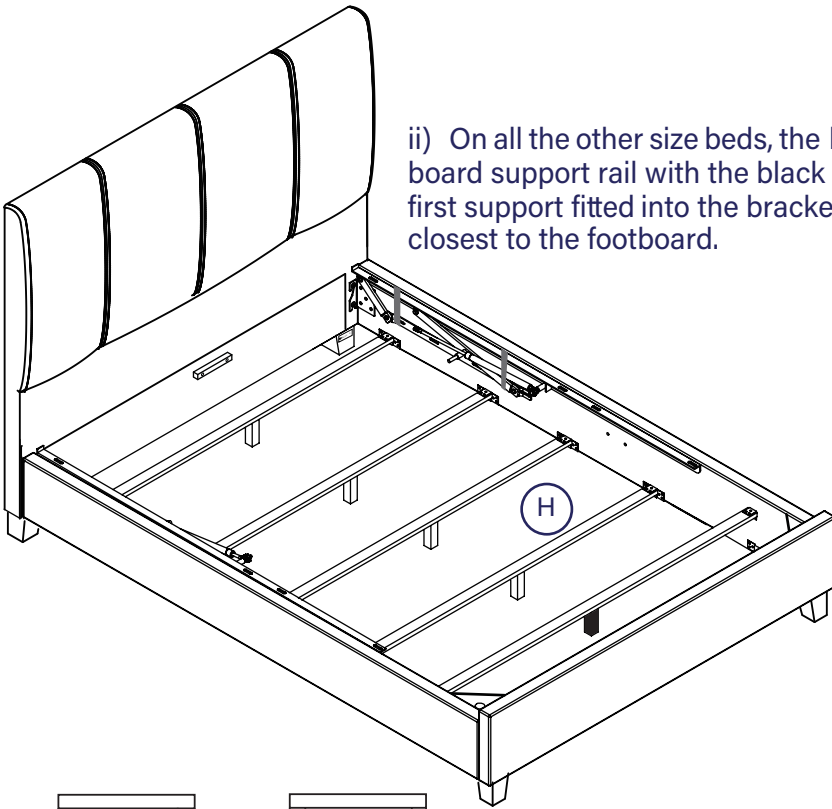


5

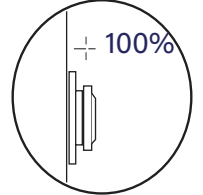
i) Please note: on the single size bed, there are no central legs fitted to the base board support rails (H).



ii) On all the other size beds, the base board support rail with the black leg is the first support fitted into the brackets closest to the footboard.

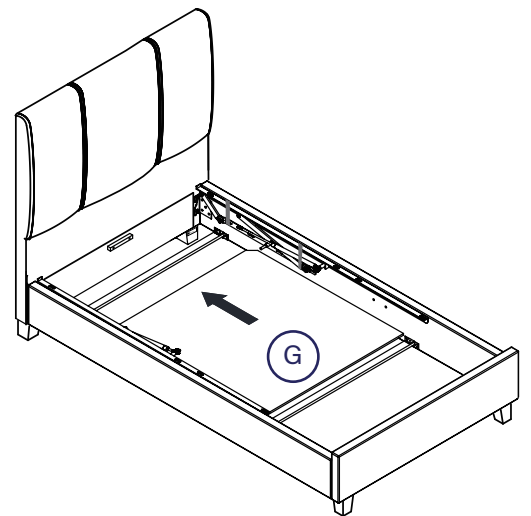
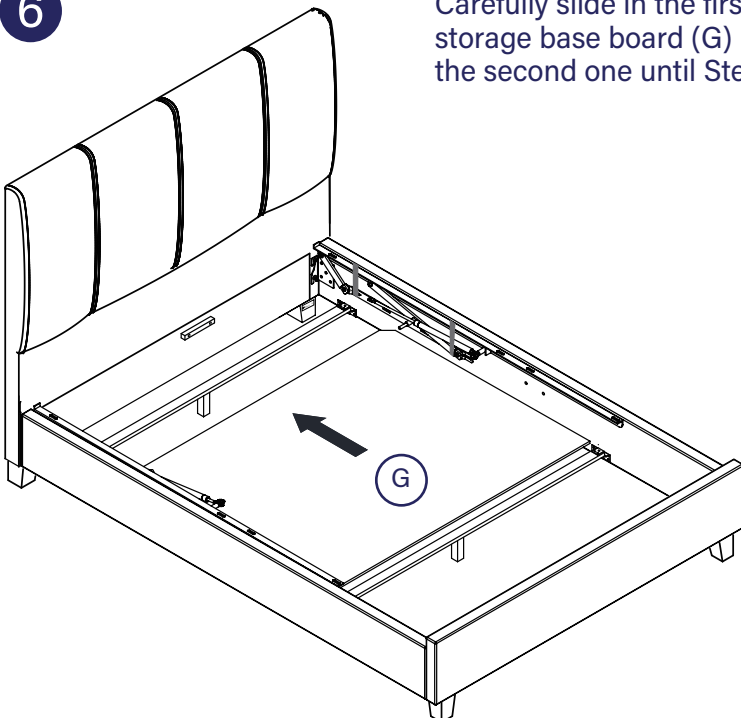


iii) After fitting the base board support rails, make certain the bed is squared up as shown in the diagram then tighten all bed assembly bolts 100%.

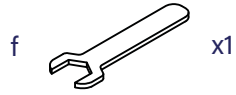


6

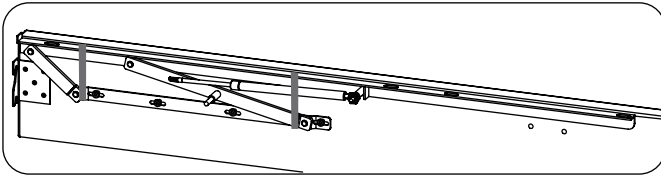
Carefully slide in the first storage base board (G) leaving the second one until Step 10.



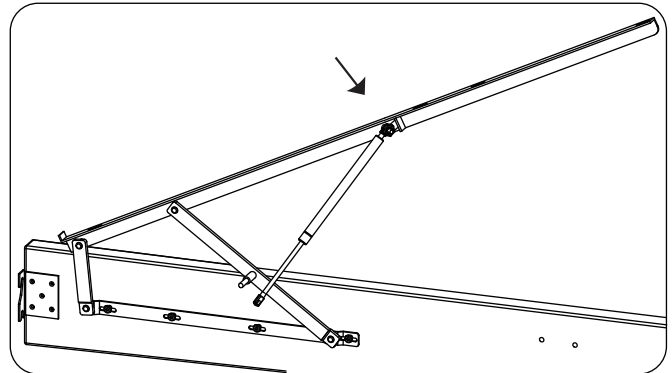
7



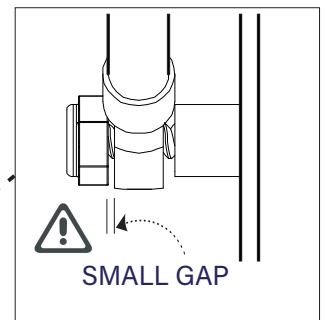
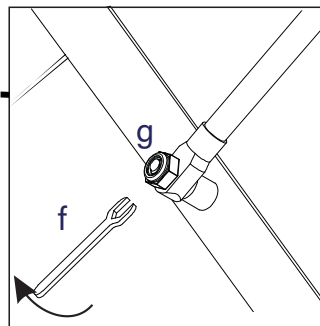
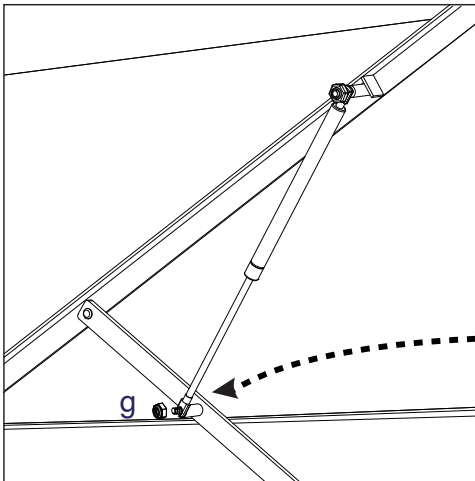
i) Untie the two mechanisms.



ii) Lift up mattress base board support bars.

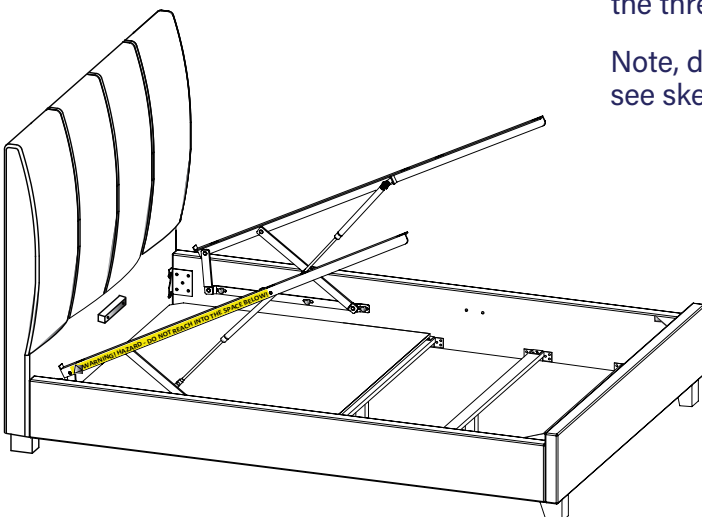


iii) Connect the piston stems

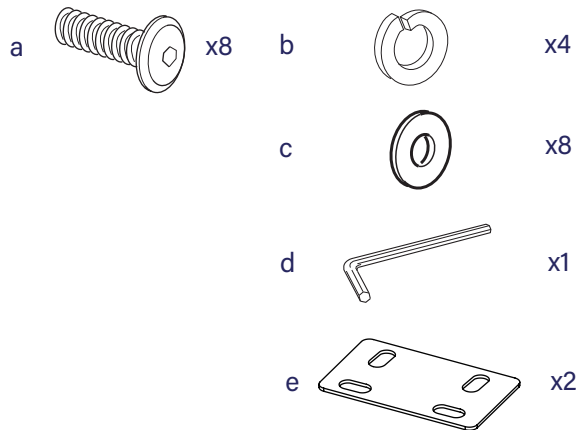


iv) Hold up each support and slide piston stem onto the threaded axle and fit nut (g) using spanner (f).

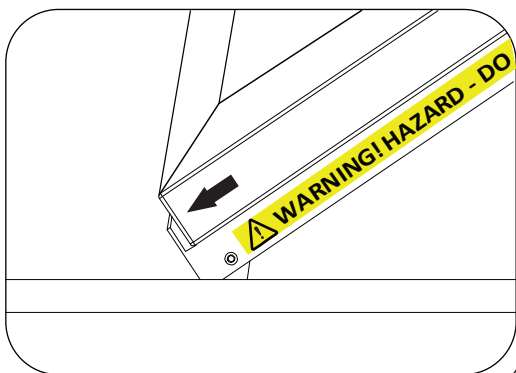
Note, do not over-tighten - a small gap needs to be left see sketch.



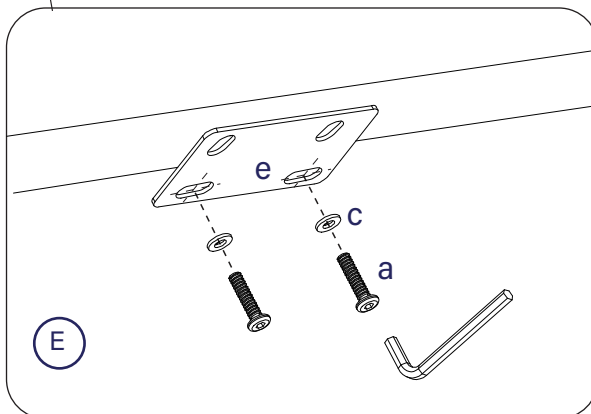
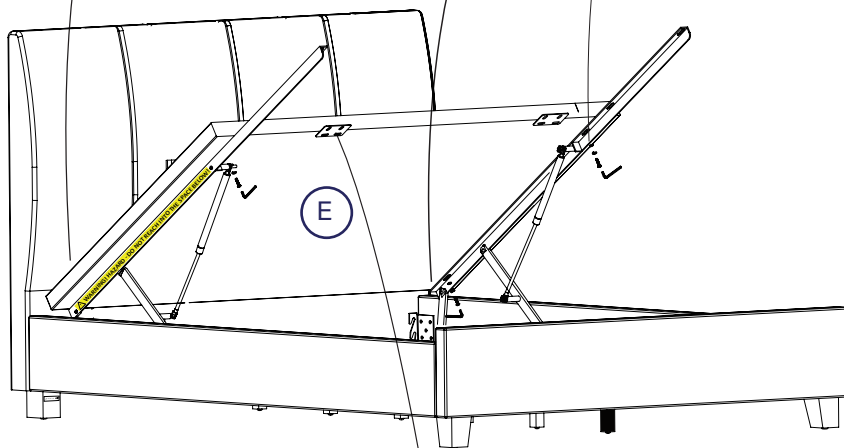
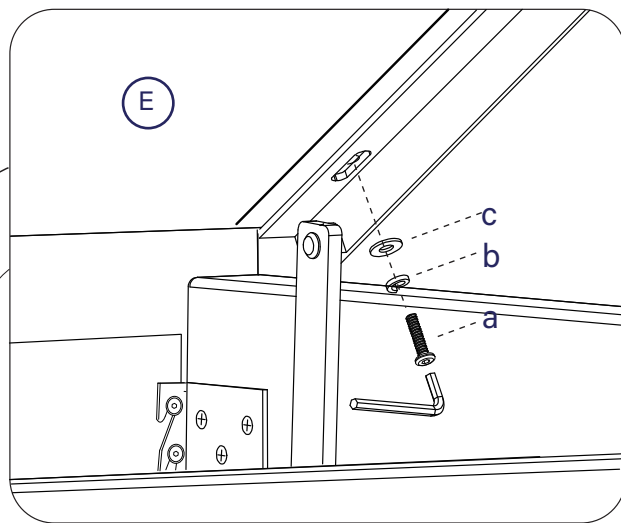
8 Mattress Base Assembly - Use Pack 'B'



i) Slide headend mattress base board (E) up against the lifting arm stop plates.



ii) Carefully screw x4 bolt sets through the supports into the mattress base board as shown - do not tighten 100% yet.

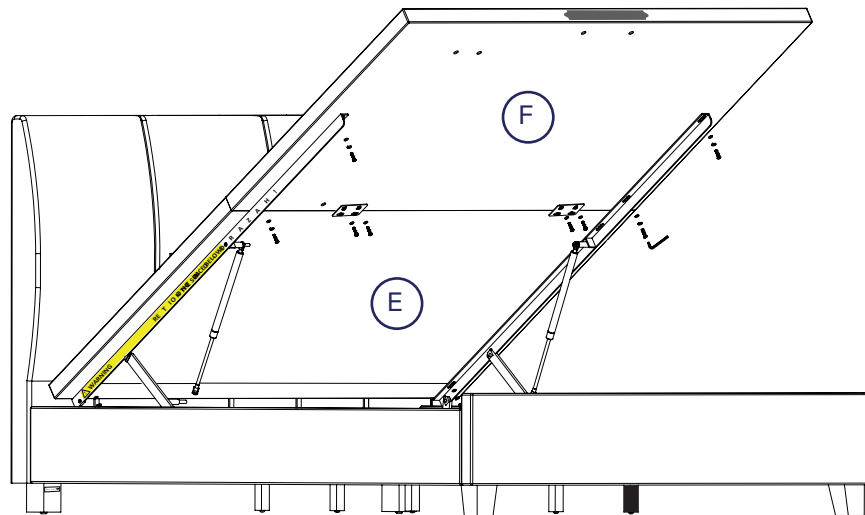
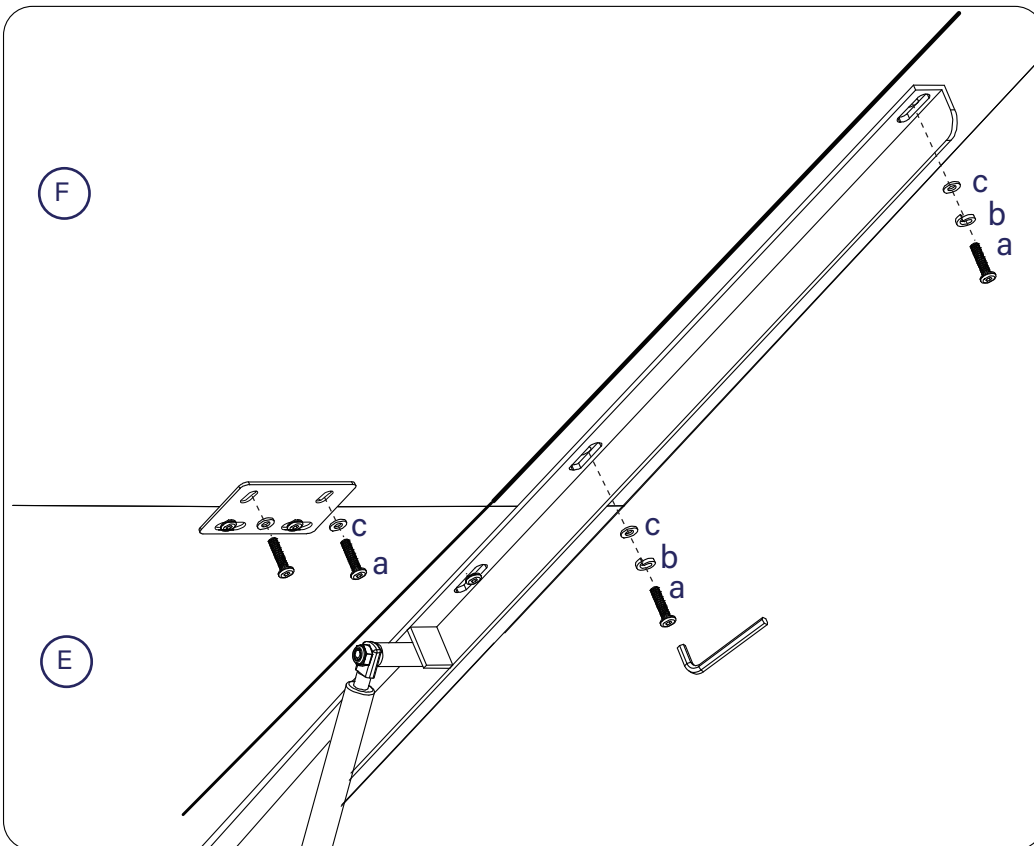


iii) Firstly, fit both connection plates (e) to the mattress base board (E) using bolt set (a & c), do not tighten the bolts yet.

9

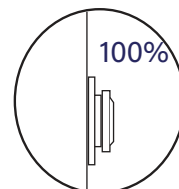


i) Slide the footend mattress base board (F) into position.

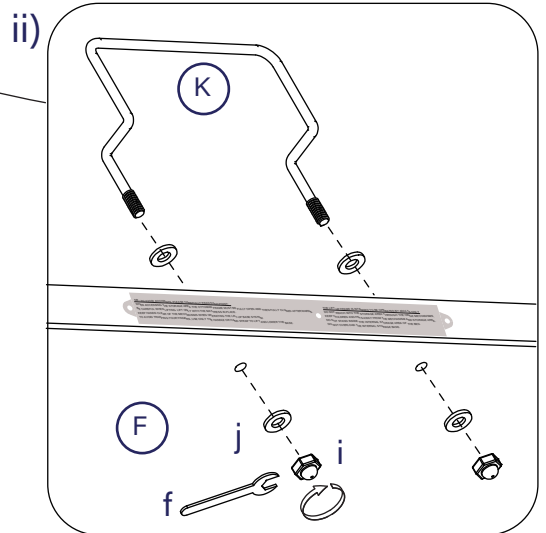
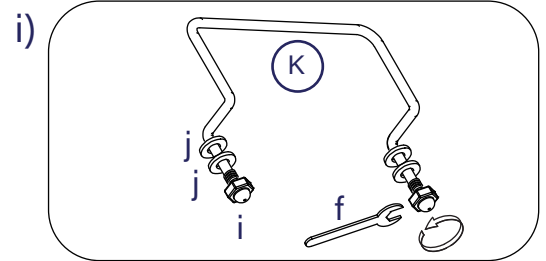
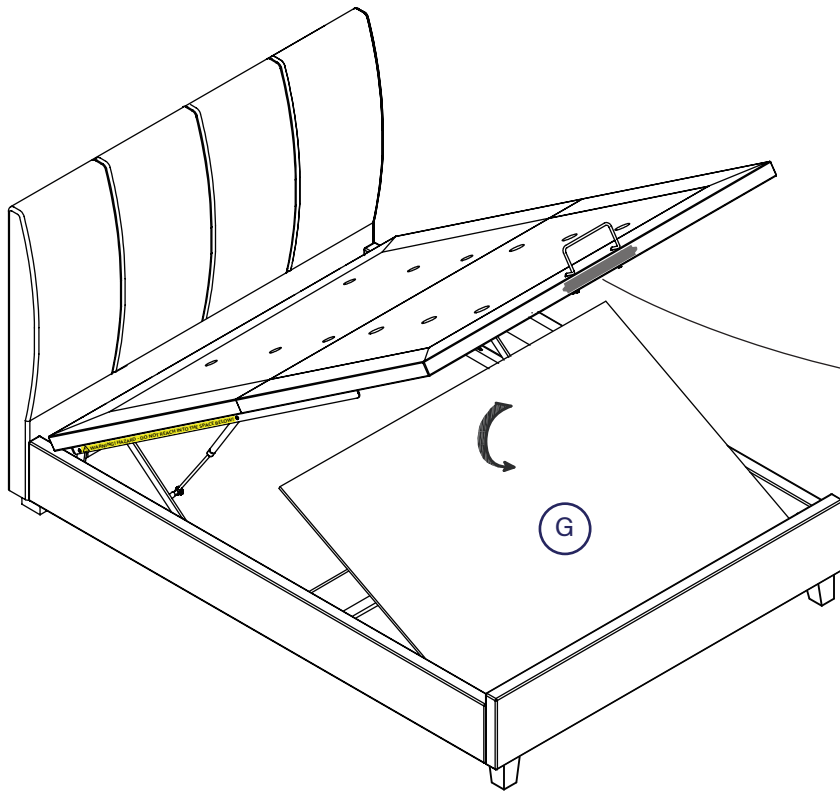
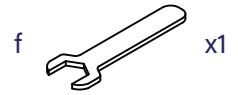
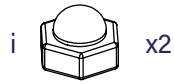


ii) Loosely connect plates (e) to (F) using bolt set (a & c) then screw other bolt sets (a, b & c) through the supports into the mattress base board at each side.

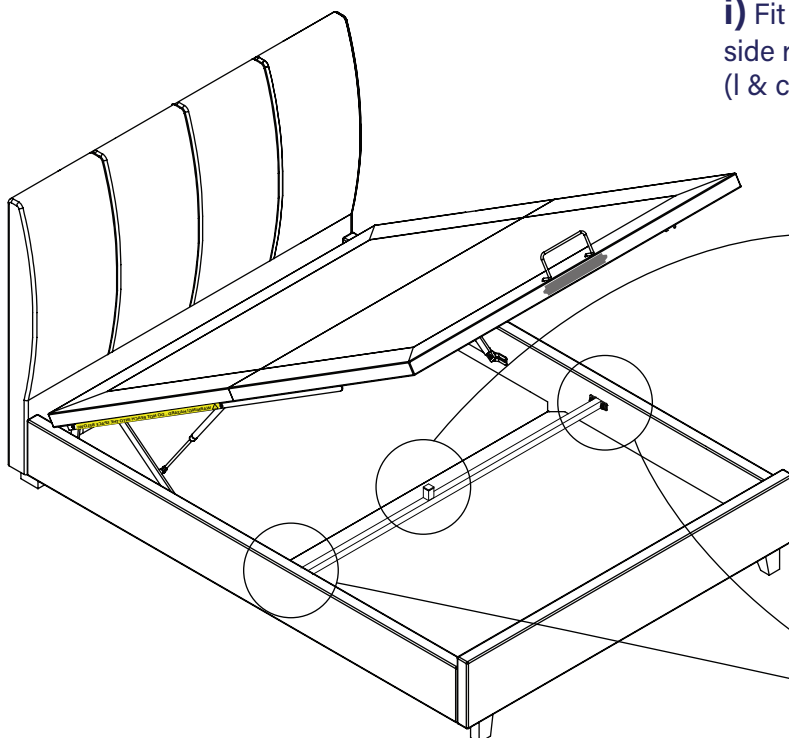
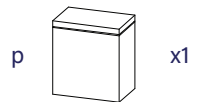
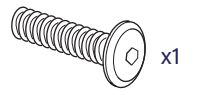
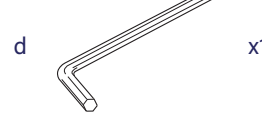
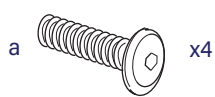
When all x16 bolt sets are in place, tighten all bolts 100% using Allen key (d).



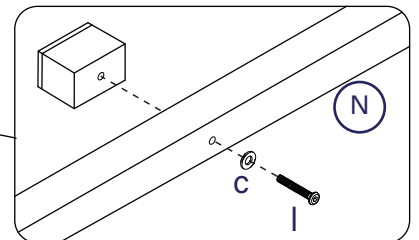
10



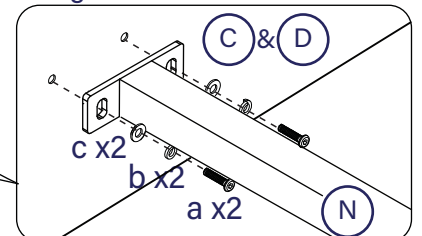
11



i) Fit the support block (p) in the centre of the side rail cross bar (N) using a bolt & flat washer (l & c). Tighten 100% using Allen key (d).

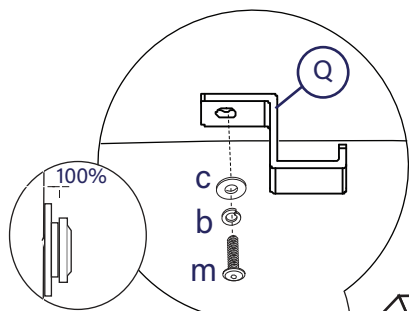


ii) Using four bolt sets (a, b & c), fit cross bar (N) to both side rails (C&D). Tighten 100% using Allen key (d). Take care not to damage the fabric when fitting.

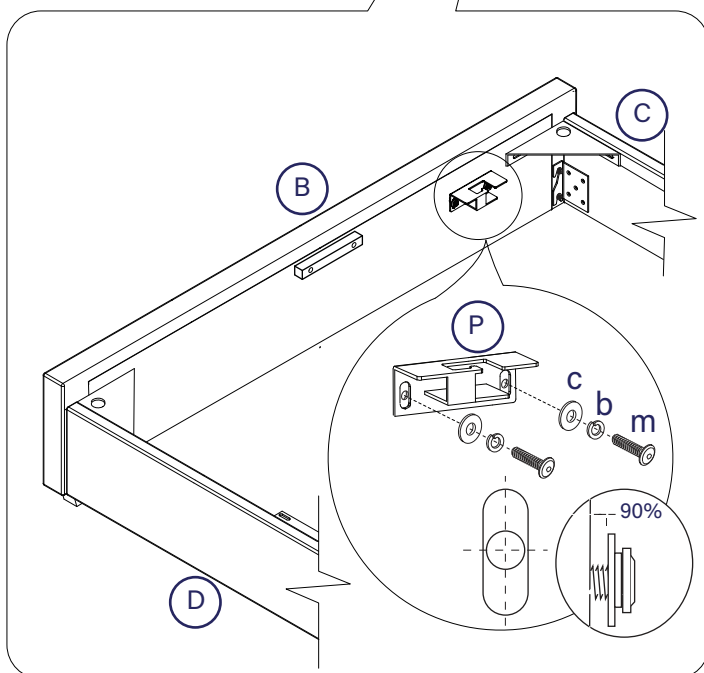
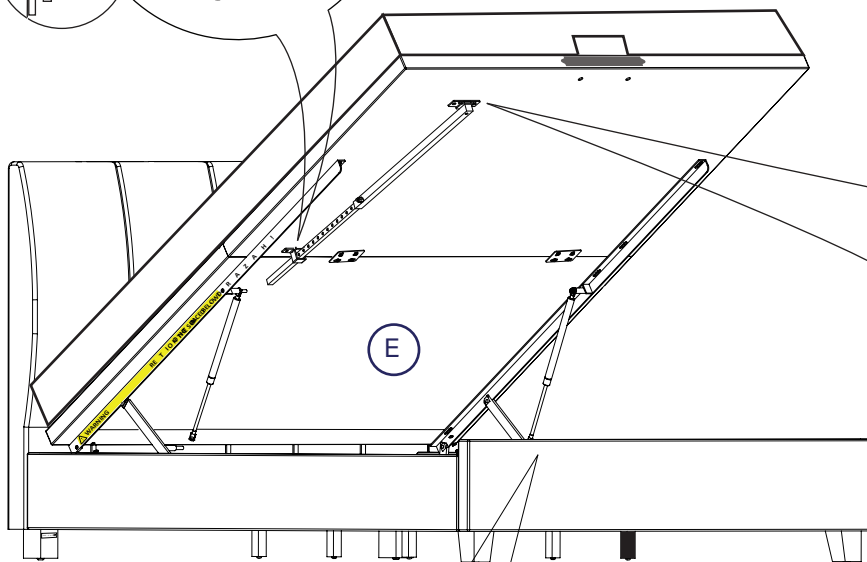
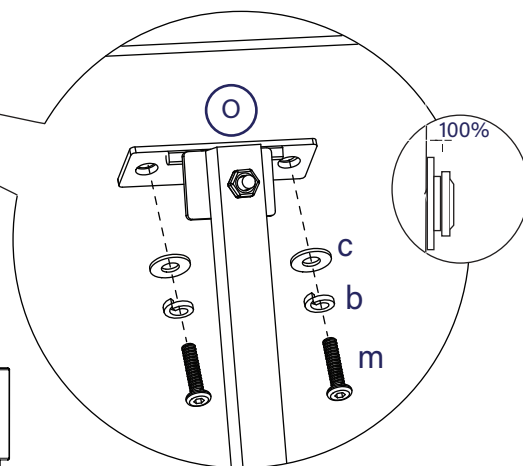


12**Unpack the contents of the Ottoman Support Bar (O.S.B.) from it's carton - this is packed inside Pack 3.**

i) To underneath of the mattress base board, fit the parking bracket (Q). This is used to safely keep the support bar out of the way when not in use. Use one bolt set (m, b & c) - please make sure the bracket is fitted the correct way round as shown. Screw into the threaded insert on the underside of the board.



ii) To underneath of mattress base board, fit the O.S.B. support bar (O) as shown. Using two bolt sets (m, b & c), screw the bolts into into the threaded inserts on the underside of the frame.

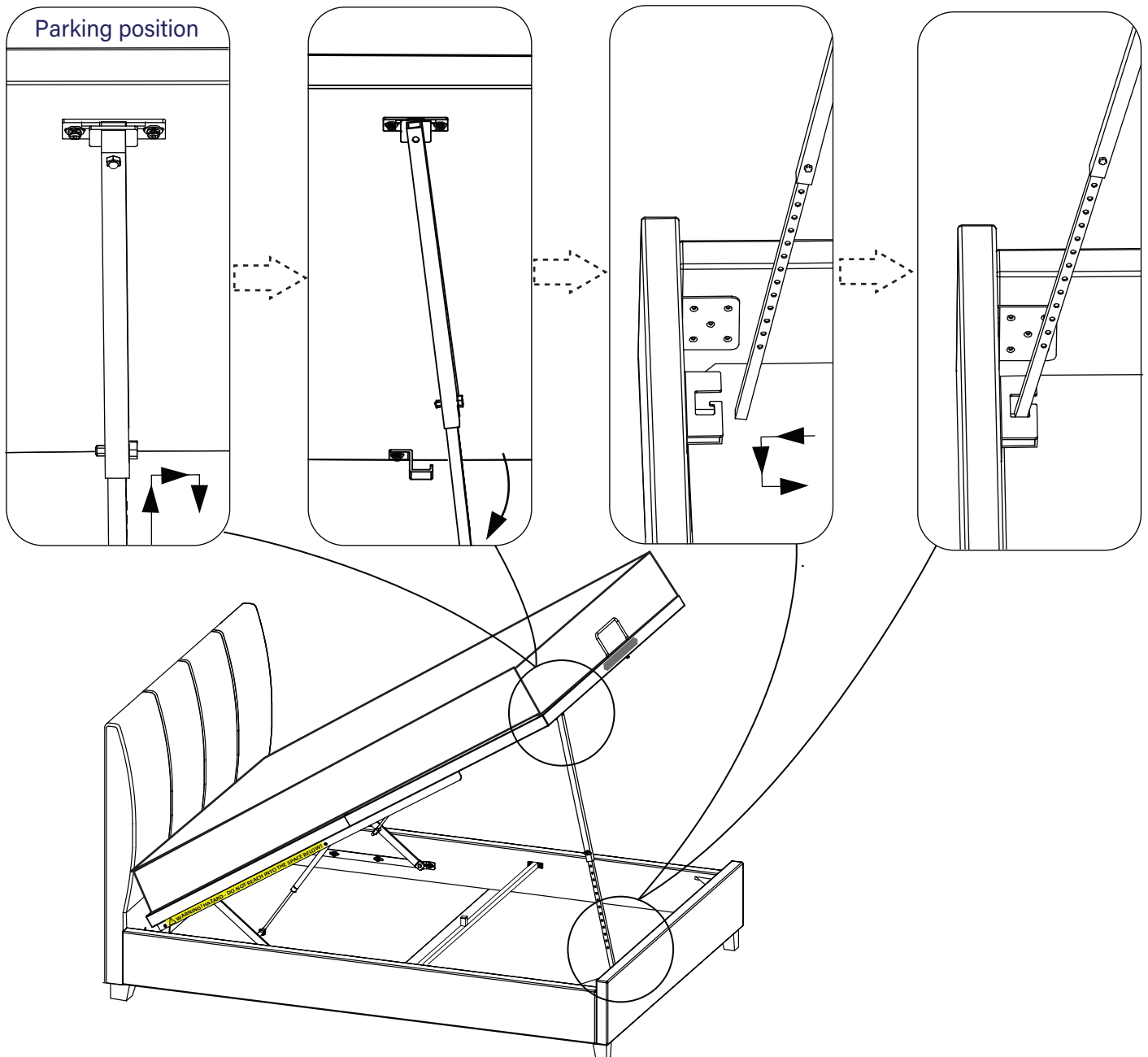


iii) Fit the fixed retaining bracket (P) to the footboard using two bolt sets (m, b & c). Screw the bolts into the threaded inserts on the footboard. Make certain the bracket is level and at the correct height.

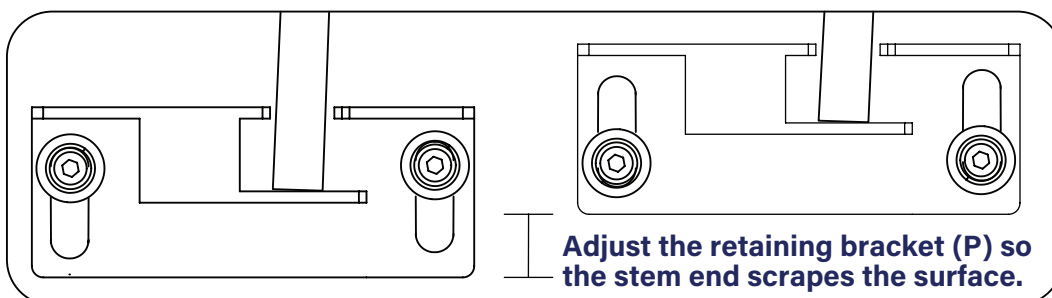
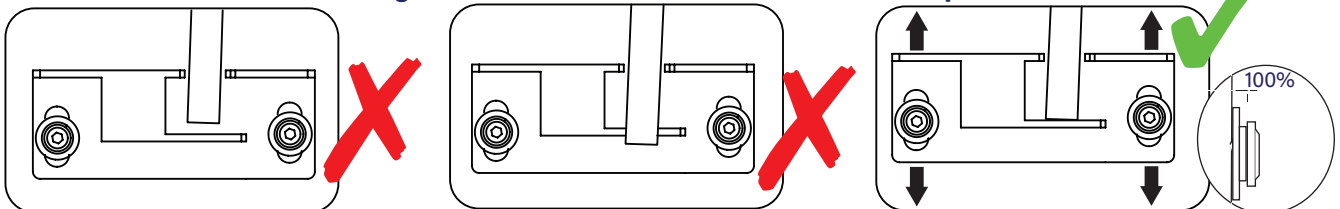
Please do not tighten 100% yet.

iv) The bolts should be in the centre of the long holes and one may need to slide the inner bar and the bracket, up or down so the bottom of the O.S.B. stem just touches the surface - better to do this **AFTER** the mattress is fitted.

13 Setting the inner stem of the support bar (O), adjust the inner stem to the correct length.



Set the inner stem to the correct length so the end just touches the retaining bracket - it needs to touch to hold it in position.



Adjust the retaining bracket (P) so the stem end scrapes the surface.

Technical Specifications

Overall Dimensions (LWH cm)

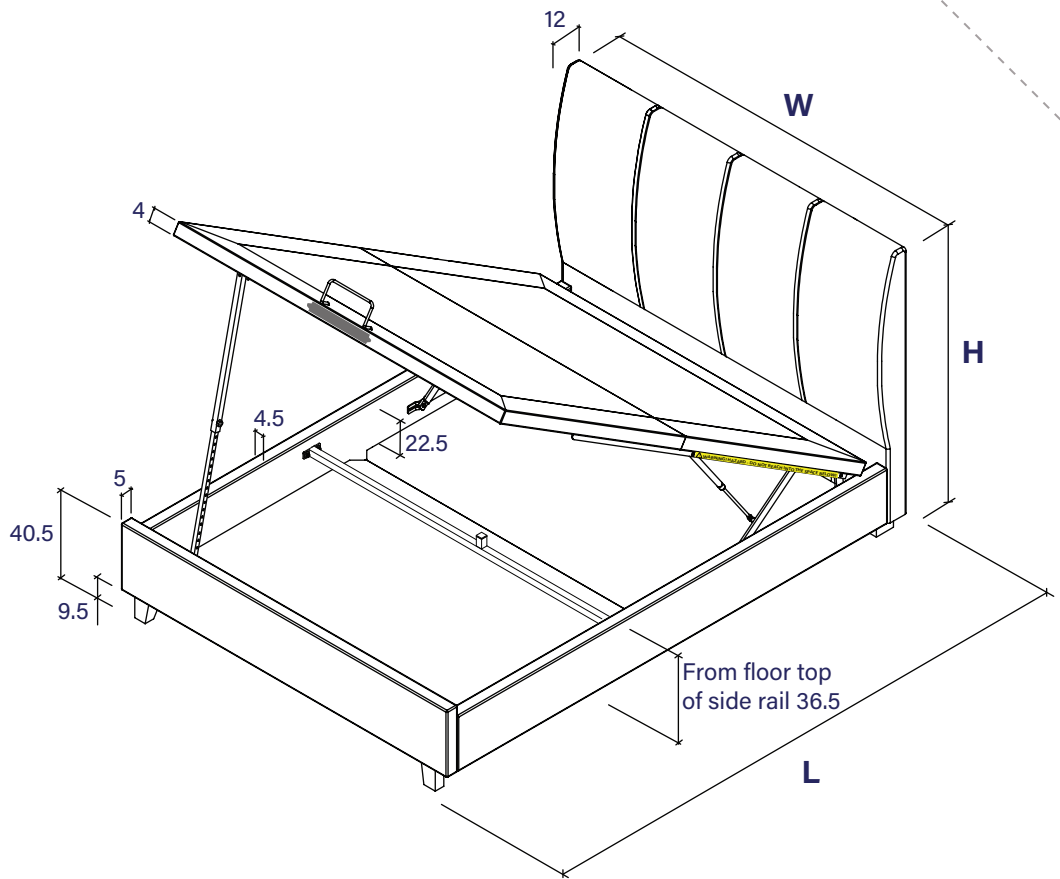
Single:	210 x 94 x 127
Small Double:	210 x 124 x 127
Double:	210 x 139 x 127
King:	220 x 154 x 127
Super King:	220 x 184 x 127

Storage Dimensions (LWH cm)

Single:	194 x 83 x 22.5
Small Double:	194 x 113 x 22.5
Double:	194 x 128 x 22.5
King:	211 x 143 x 22.5
Super King:	211 x 173 x 22.5

Ottoman Piston Rating

Single:	600N
Small Double:	750N
Double:	900N
King:	1000N
Super King:	1200N



Care and maintenance

Here are some tips to keep your new bed in tip-top condition



Cleaning

To clean your new bed, we'd advise using a warm damp cloth or if fabric, remove dust using a low suction vacuum cleaner - please do not use abrasive chemicals or bleach as this may damage the product.



Checking and moving

Periodically we recommend you check that the screws or fixtures haven't become loose over time. To move your new bed, we recommend lifting it where possible, as dragging or pushing it could cause damage to your flooring.



Wood

Please note each of our wooden pieces are unique, meaning that markings and shade can vary slightly between beds. Over a period of time, the wood might lighten or fade slightly due to light exposure.



Fabric

Please note depending on the lighting, positioning and surroundings of your room, the shade of the colour can sometimes appear slightly different. Over a period of time the colour might lighten or fade slightly due to light exposure.



Metal

Metal tends to be more resilient to everyday wear and tear. We recommend to gently dust your metal furniture and keep it dry to maintain its look.

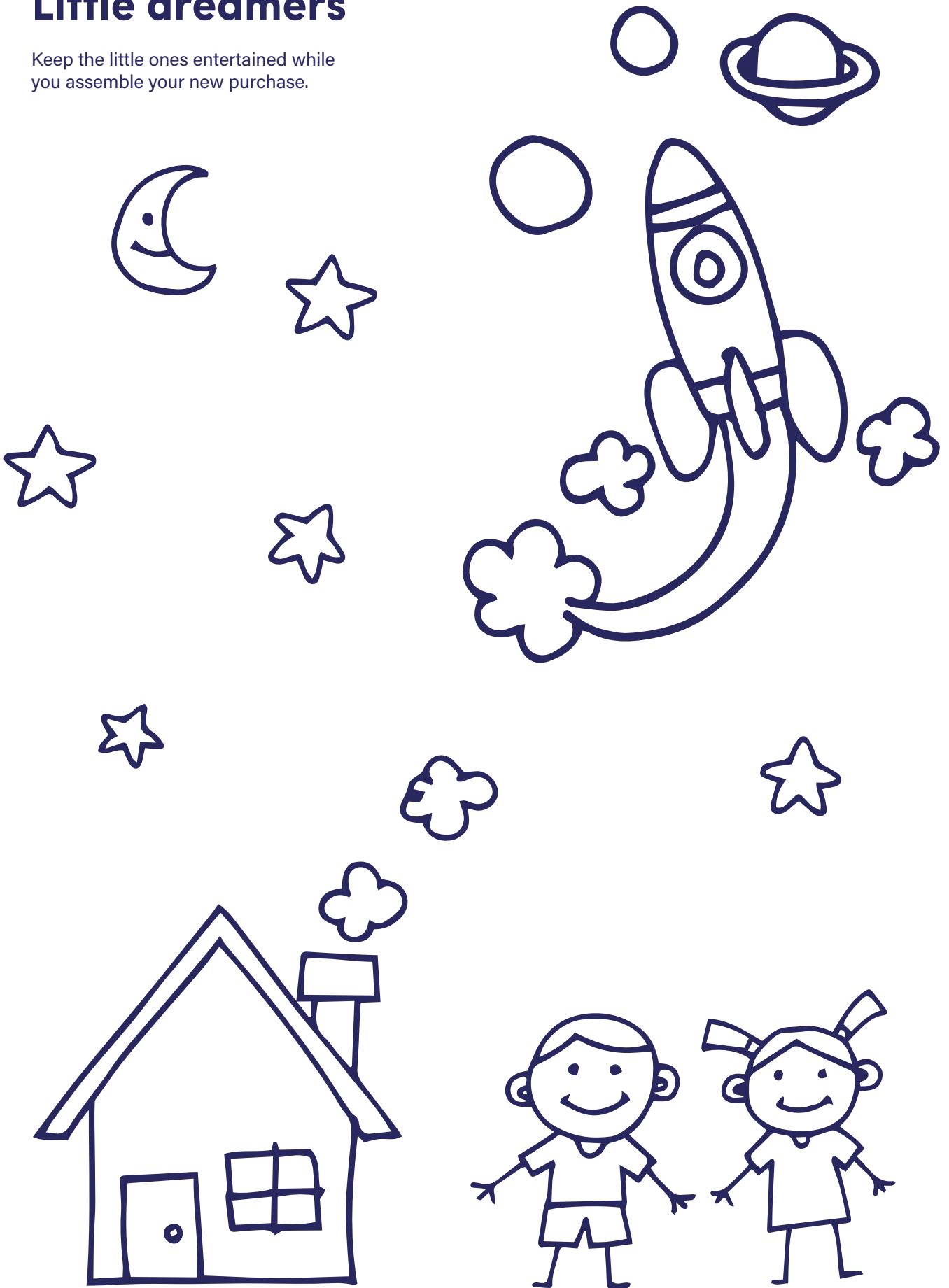
Thank you for shopping with us - we hope you have a great night's sleep

Sleep well



Little dreamers

Keep the little ones entertained while you assemble your new purchase.



Dreams