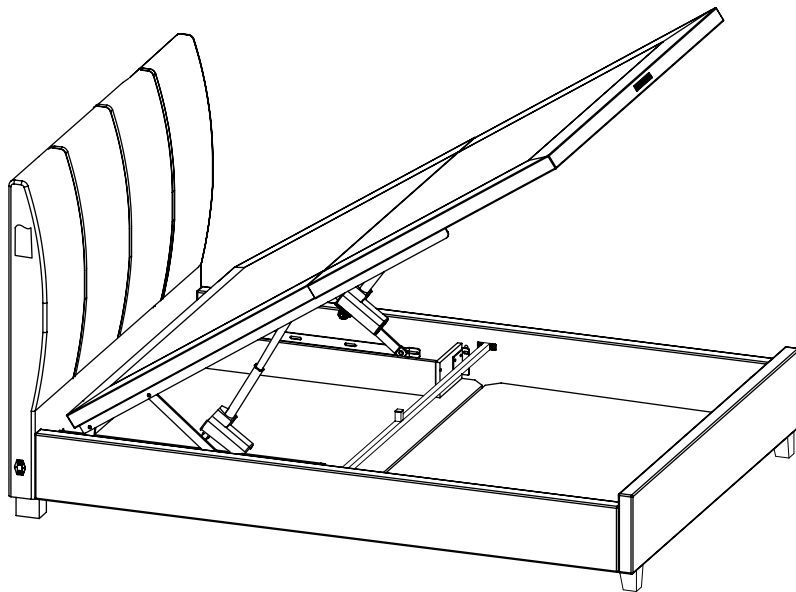


Francesca Electric Ottoman Lift Up Bed

Single
Small Double
Double
King
Super King



IMPORTANT OTTOMAN SAFETY WARNINGS

- **IMPORTANT - READ CAREFULLY - RETAIN FOR FUTURE REFERENCE**
- **You must ensure that the mattress is on the bed frame before operating the lift mechanism - Failure to do so could result in injury.**
- **Keep hands clear of the mechanism when opening or closing the ottoman.**
- **Beware of entrapment - Never reach in through the mechanism to access the storage area.**
- **Always ensure that the ottoman is FULLY opened before accessing the storage area.**
- **Do not exceed the maximum weight as specified in the table below:**

Bed	Bed Size	Min Weight (kg)	Max Weight (kg)
Francesca Electric Ottoman	Single	10	25
	Small Double	10	35
	Double	10	40
	King	15	45
	Super King	20	50



1.5 hour approx
assembly time



Two person
assembly

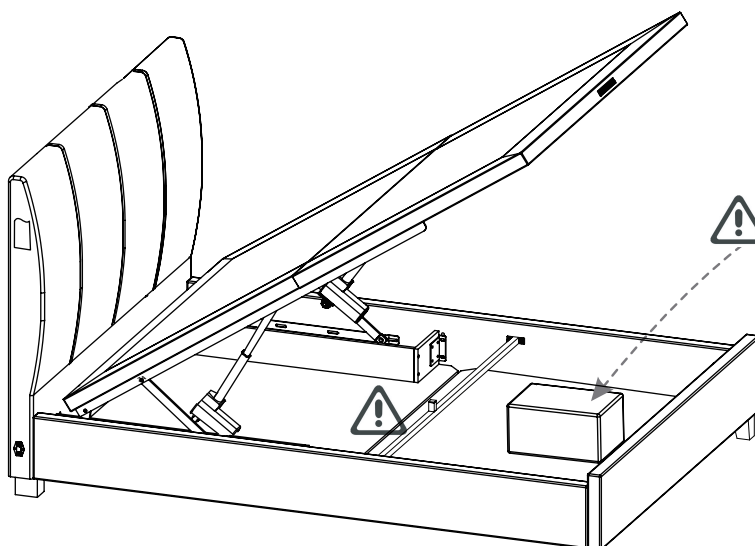
Dreams

MK1 230505

IMPORTANT OTTOMAN SAFETY WARNINGS Cont.



- Use caution when operating, always use the handle when lifting.
- Note: This bed uses a pressurised mechanism.
- To be operated by adults only.
- Please ensure that children and pets are kept away from the bed when operating the lift mechanism.
- Keep children and pets away from the storage area.
- Do not overload the internal storage base.
- Do not stand inside the internal storage area of the bed.
- Before removing the mattress secure the frame to ensure it does not open unexpectedly.
- Do not attempt to lie on the mattress when the ottoman is in the raised position.
- When lifting the ottoman, remove all bedding except the fitted sheet.



Note: Be very careful what you store under the bed - the top of an item, like a suitcase or a box, must not touch the underside of the mattress base or it may get damaged.
Maximum item height is 22.5 cm.

Thank you

Hello, thanks for choosing to purchase your bed from Dreams - you're now on your way to your best ever night's sleep. Before you begin building your bed, please take a moment to read through the instructions and make sure that you've got all the relevant parts listed on the following pages.



Assembly tips

Before you begin, it's best to identify all parts and fittings to build your bed. We advise laying these out on the floor to check you have everything, and familiarising yourself before building.



Top tip

We recommend that you build your new bed in the room you'd like it to be located - this will help prevent any risk of damage to your newly built bed whilst moving it.



Safety and care

It's really important to ensure children and animals are kept away from the assembly area, as there are small components used in this bed which could present a choking hazard. All plastic and wrapping materials should also be kept away from children and animals to prevent any risk of suffocation. To keep your little ones busy, there is a colouring page inside the back cover.



Help and support

At Dreams, it's our mission to give the whole nation a great night's sleep - this means that the quality of our products is of utmost importance to us. If there are any issues with your product or any missing parts, please contact our Help Centre on 0800 652 6750, where a member of our team will be happy to help. (For customers based in Northern Ireland, please call 028 9050 8300)



Recycling

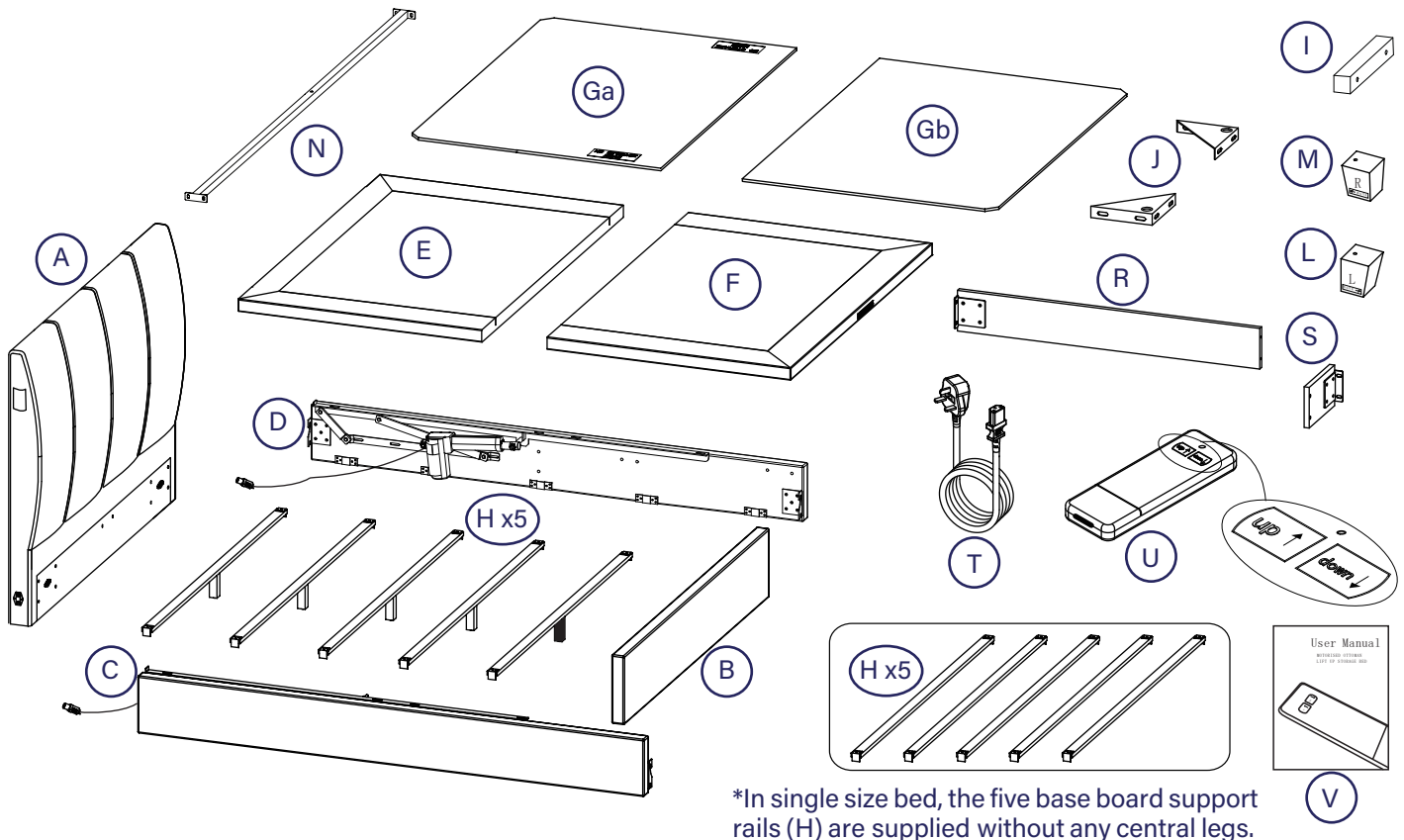
Please ensure that packaging is disposed of in a safe and environmentally friendly way, and recycle where possible. Our assembly instructions are printed on recycled paper. Please keep your assembly instructions safe to refer back to in the future.

Parts

Important information

The bed you have purchased comes with an Ottoman lift up base operated by electric motors, please follow the instructions in the current order.

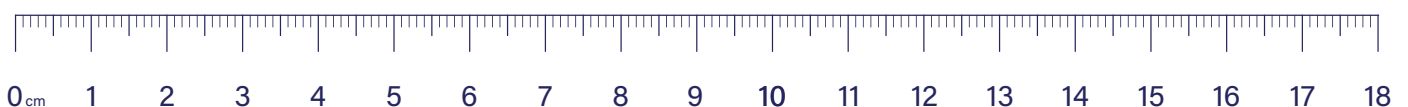
To prevent accidents carefully read the ottoman safety warnings for this bed, on pages 1 & 2 of this guide.



*In single size bed, the five base board support rails (H) are supplied without any central legs.

Parts list

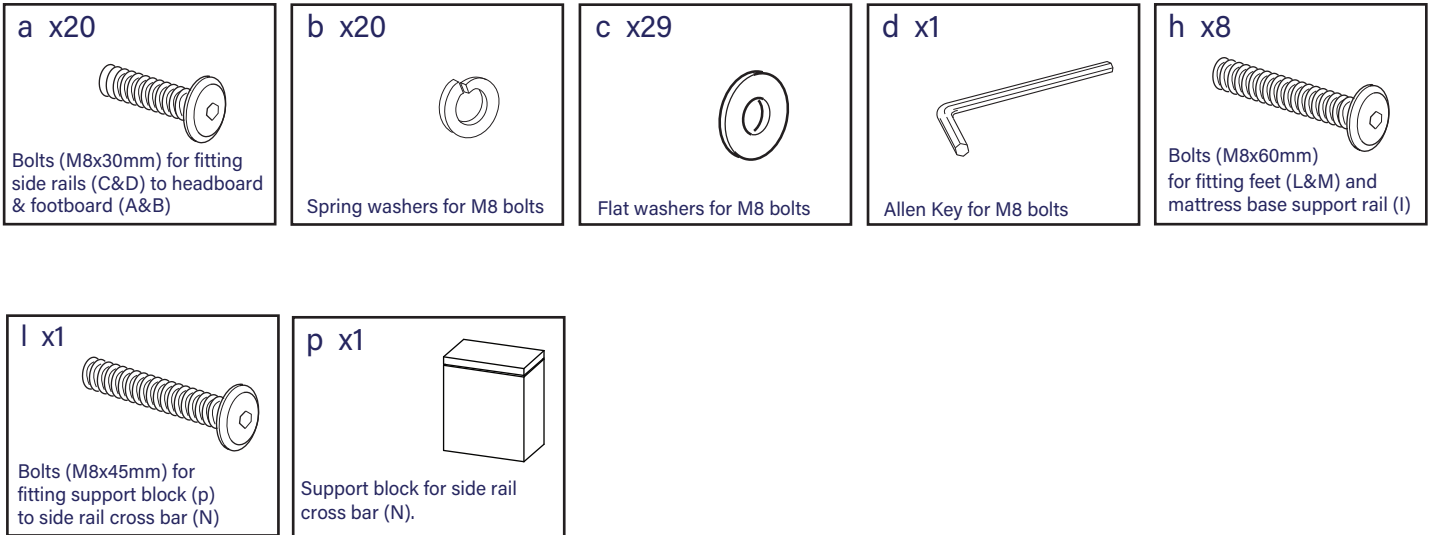
Code	Description	Qty	Box	Code	Description	Qty	Box
A.	Headboard	1	1	J.	Angle Corner Brackets	2	3
B.	Footboard	1	3	L.	Feet - Left	2	3
C.	Side rail - Left	1	2	M.	Feet - Right	2	3
D.	Side rail - Right	1	2	N.	Side Rail Cross Bar	1	3
E.	Mattress Base Board - Headend	1	4	R.	Motor Guard - Side Panel	2	3
F.	Mattress Base Board - Footend	1	4	S.	Motor Guard - End Panel	2	3
Ga.	Storage Base Boards - Headend	1	4	T.	Mains Power Lead - 3 mt	1	3
Gb.	Storage Base Boards - Footend	1	4	U.	Remote Control (is stored in rear of headboard)	1	1
H.	Base Board Support Rails (Wood)	5	3	V.	Operation Guide for the Motor System	1	3
I.	Mattress Base Support Rails	2	3				



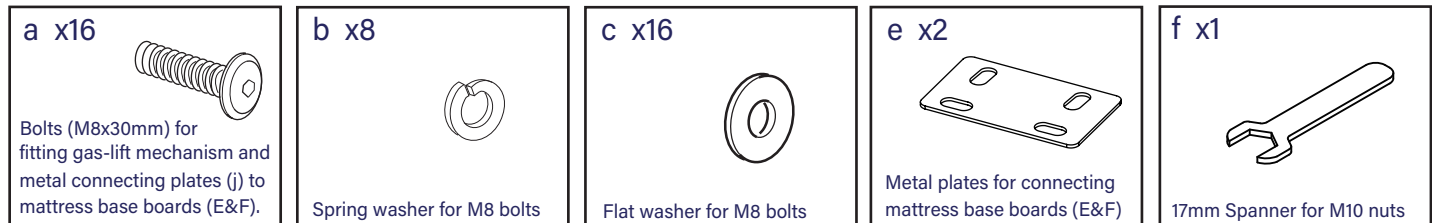
Fittings

Please check you have all the parts listed below with your product:

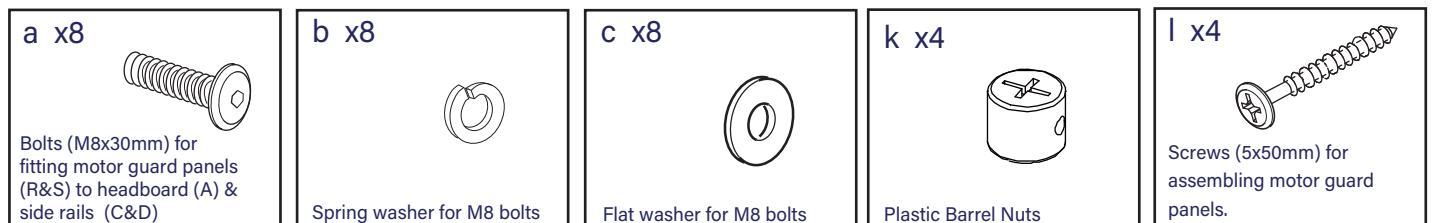
Hardware needed for fixing side rails to headboard & footboard Packed in side rail pack 3 - hardware pack (A)



Hardware needed for fitting mattress base boards, Packed in side rail pack 3 - hardware pack (B)



Hardware needed for fitting motor guard panels Packed inside the side rail carton, inside Pack 3 - hardware pack (C)



Tools required

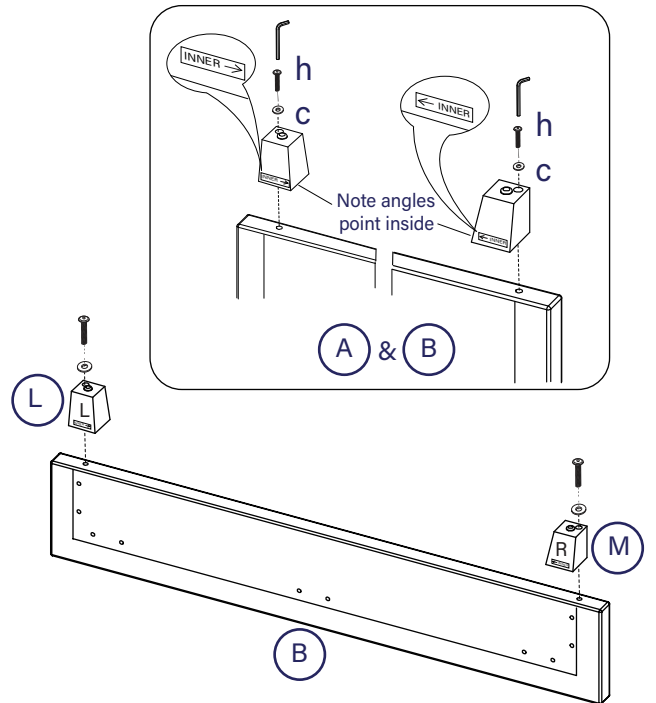
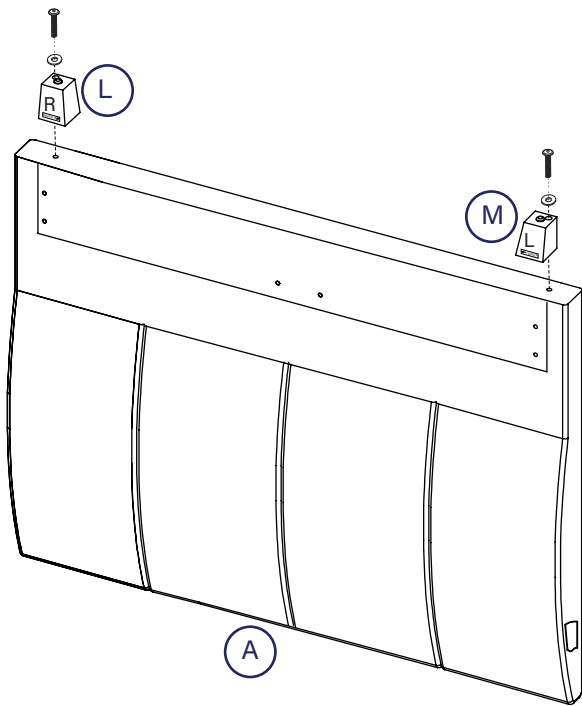
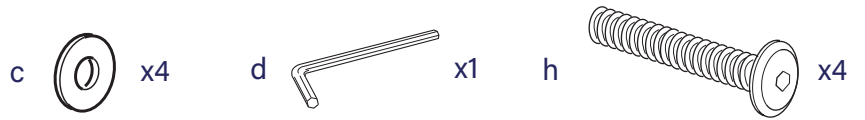


Tape measure

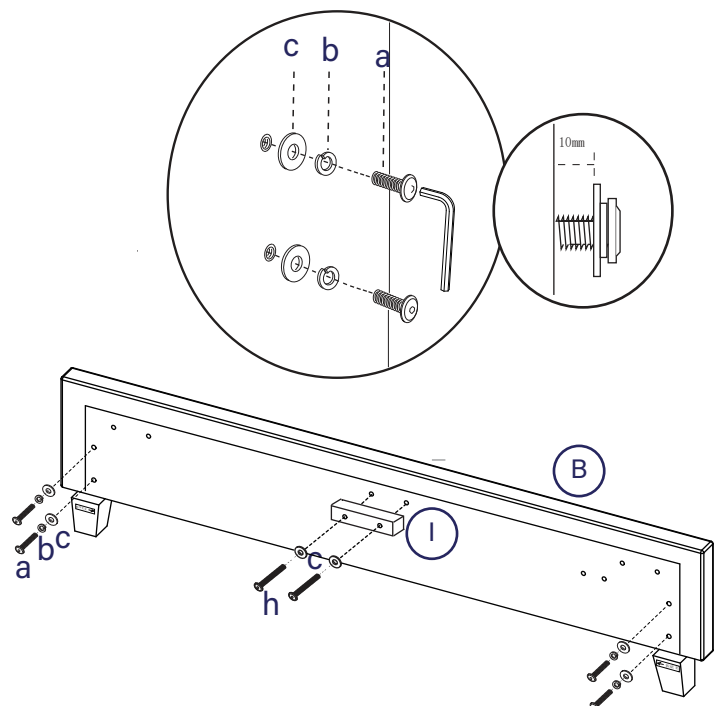
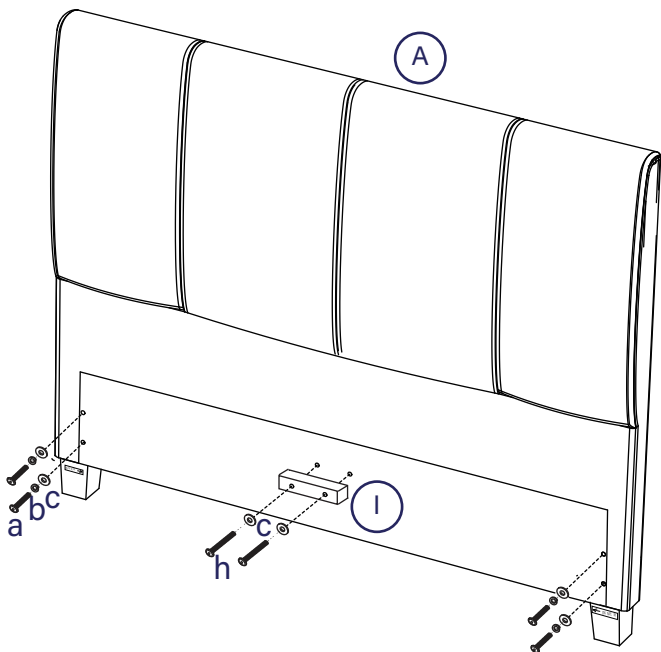
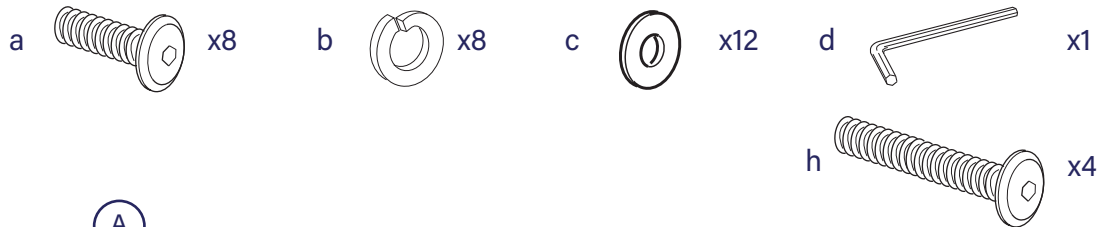


Cross head screwdriver

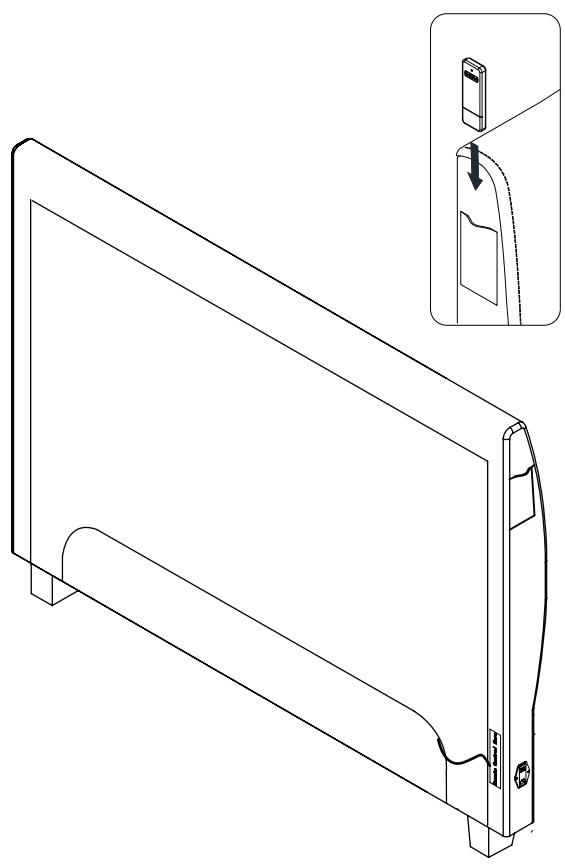
1 Prepare headboard & footboard.



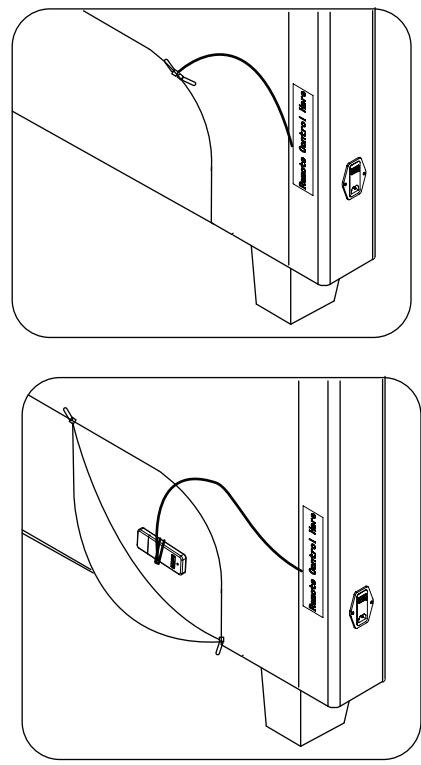
2



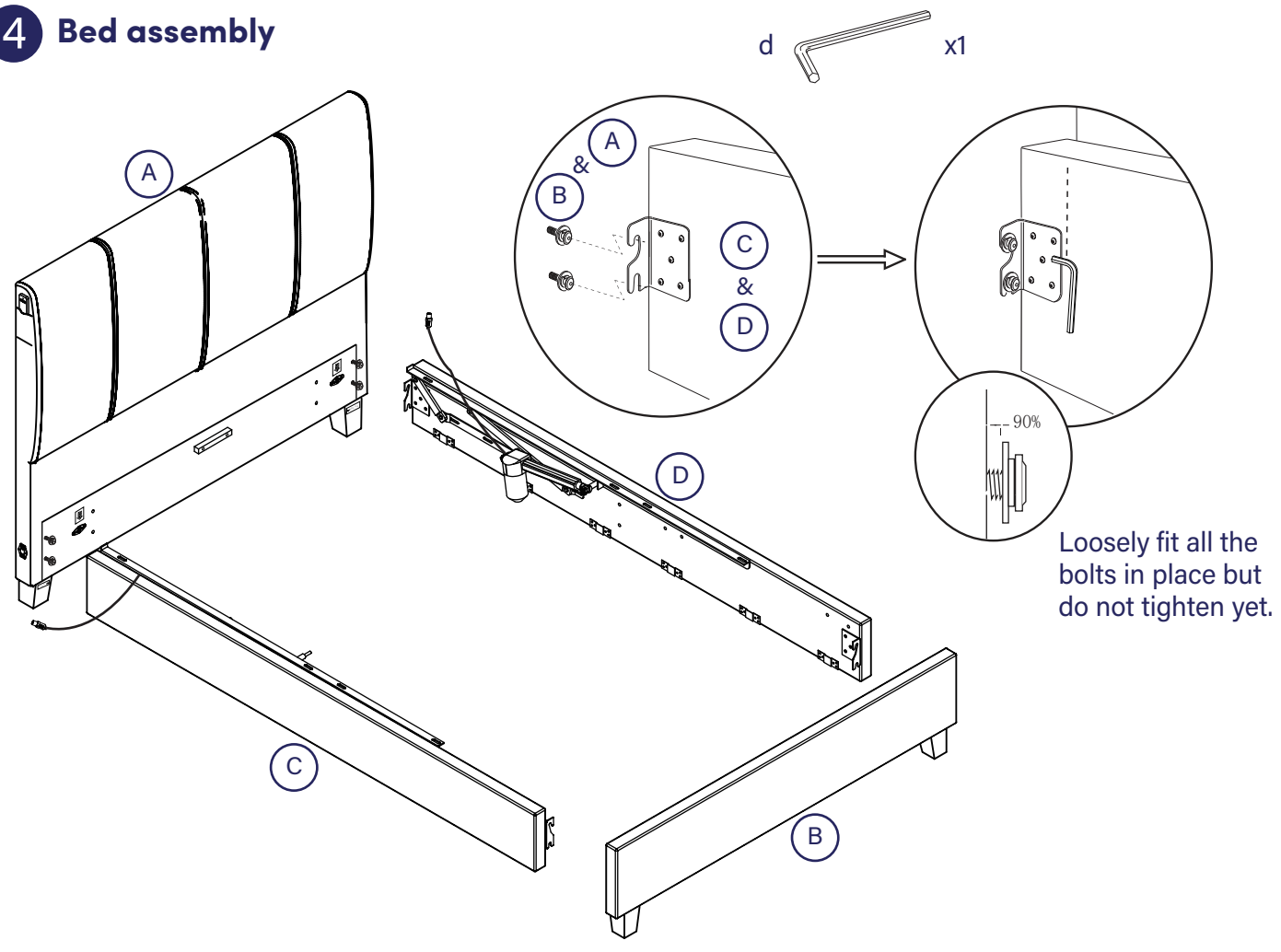
3 Remove the remote control from behind the storage flap in the headboard.



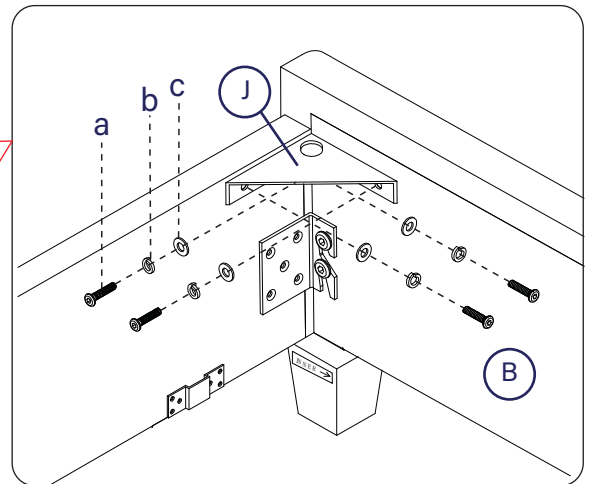
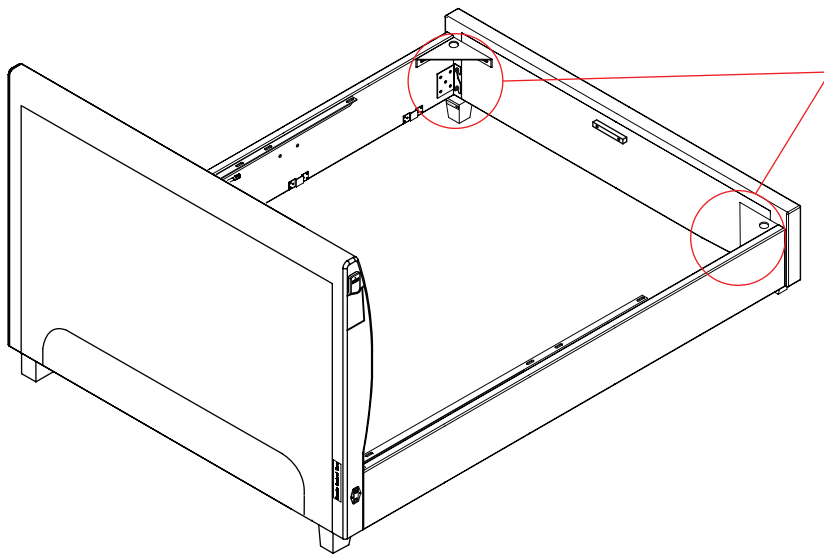
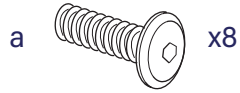
Retrieve remote control & put in the pocket for safe keeping



4 Bed assembly

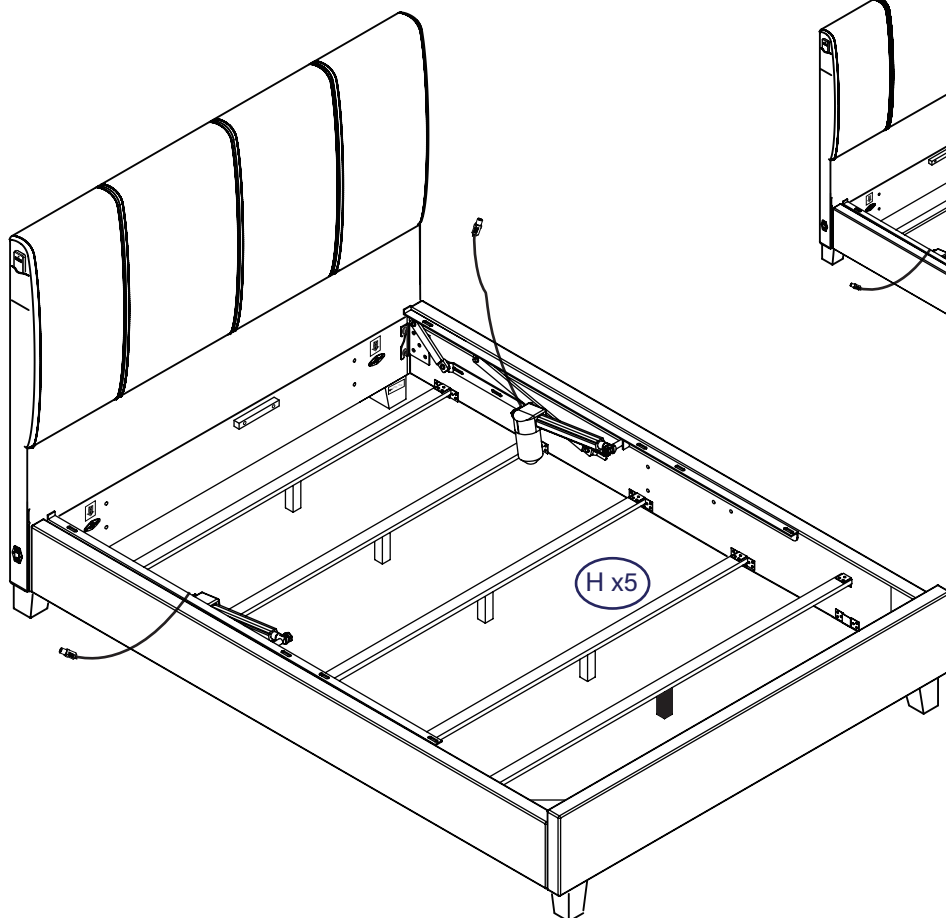


5

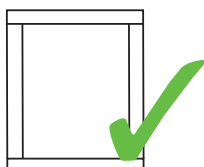
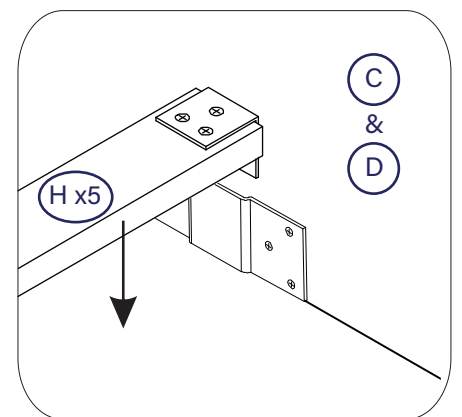
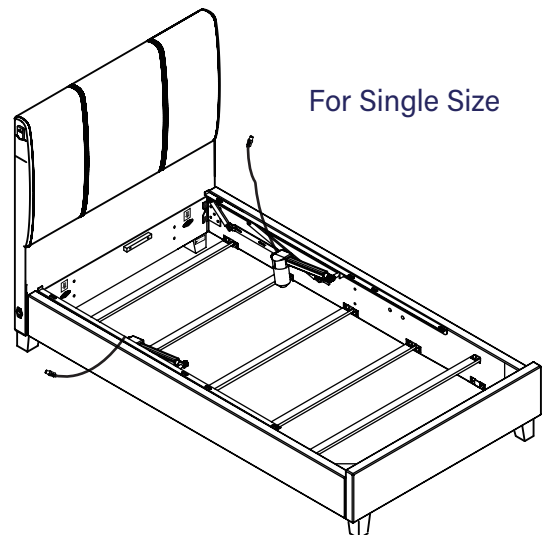


Do not tighten bolts yet

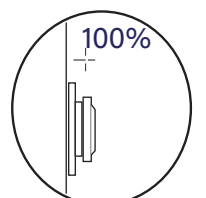
6 Storage base board assembly



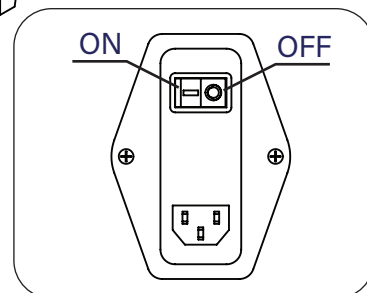
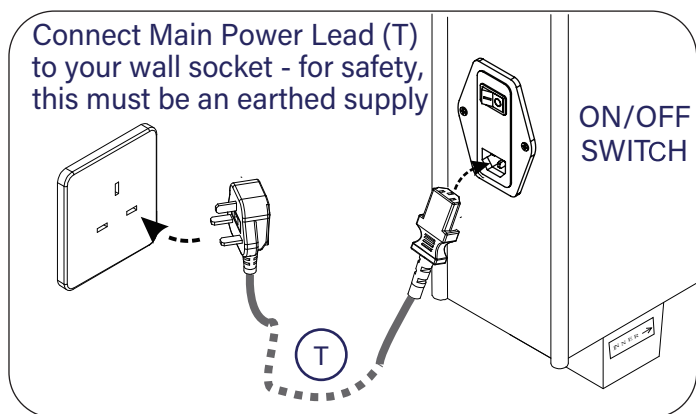
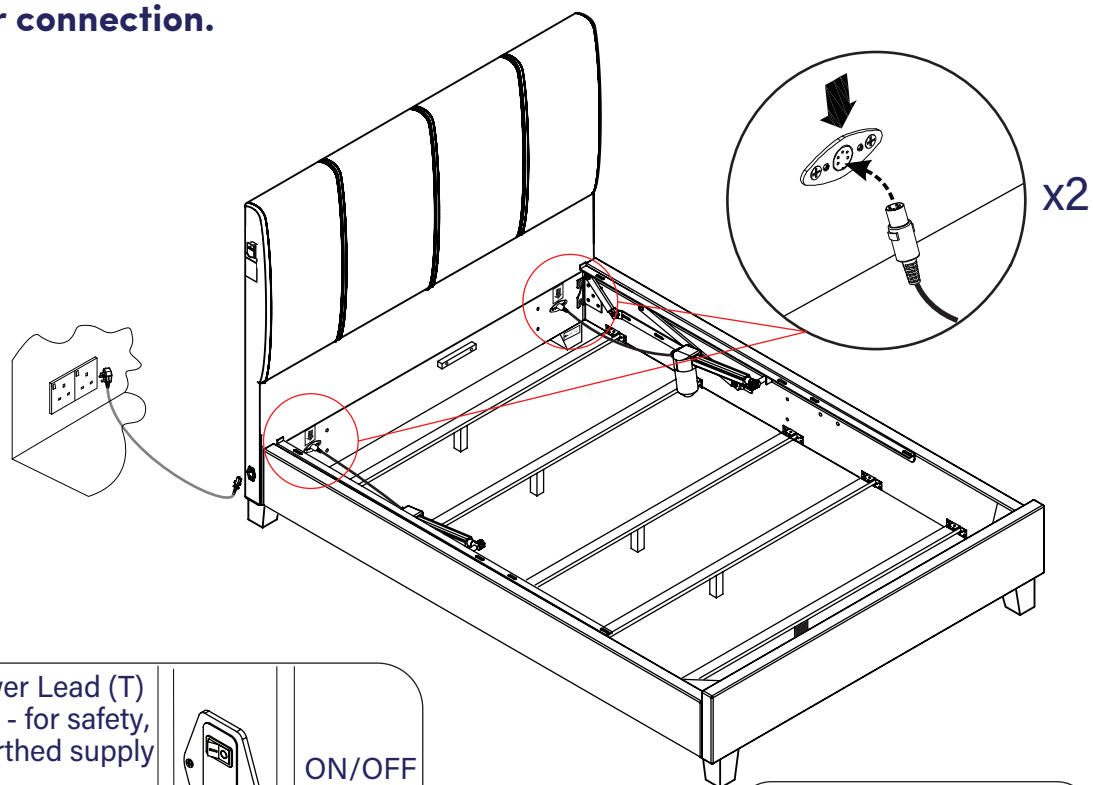
For Single Size



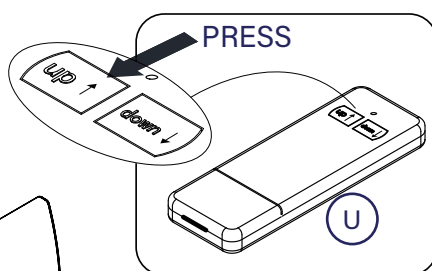
After fitting the wooden Base Board Support Rails, make certain the bed is squared up as shown in the diagram then tighten all bed assembly bolts 100%.



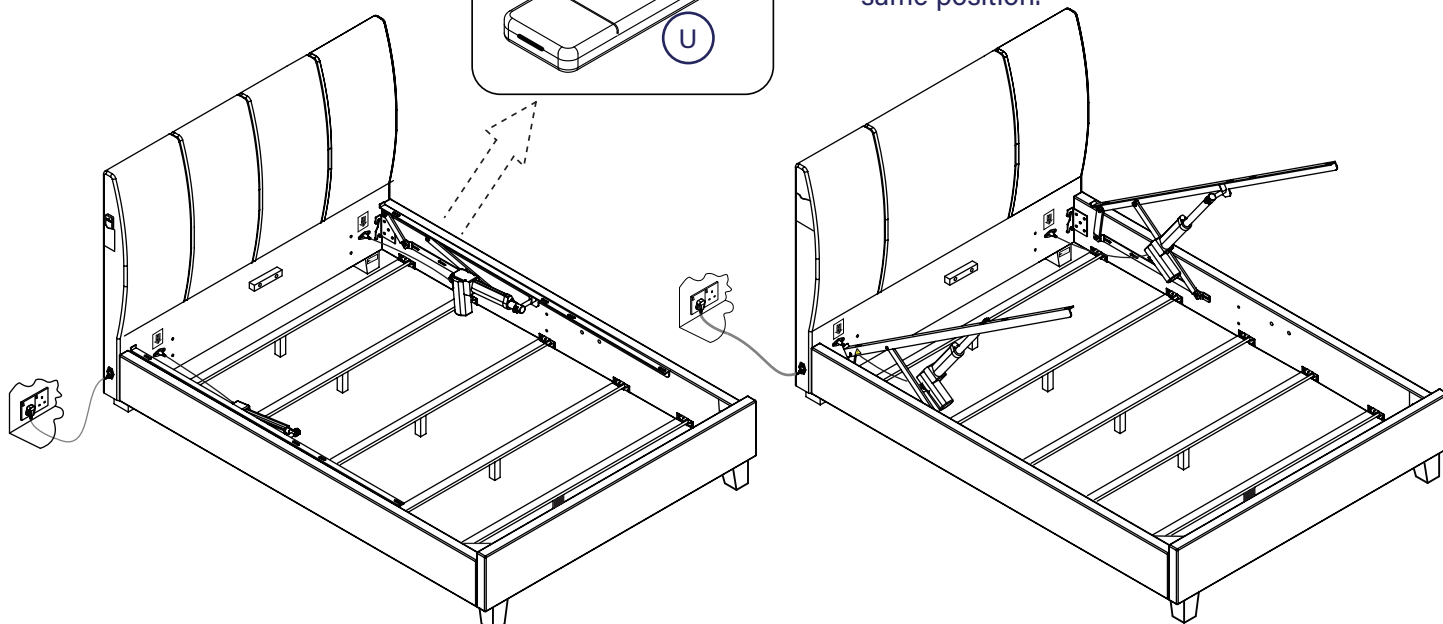
7 Mains power connection.



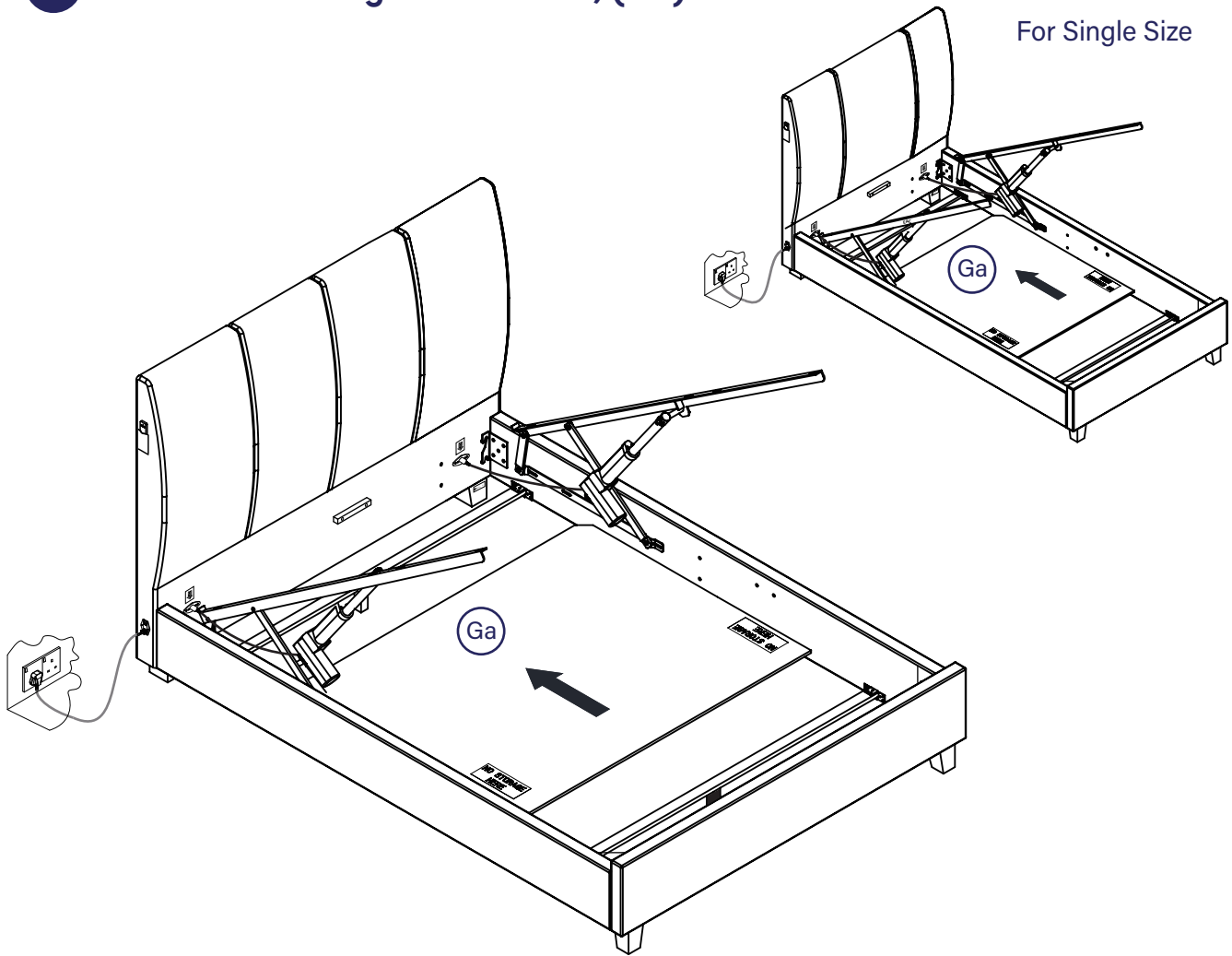
8 Lift the mattress base - press the remote control 'UP' button.



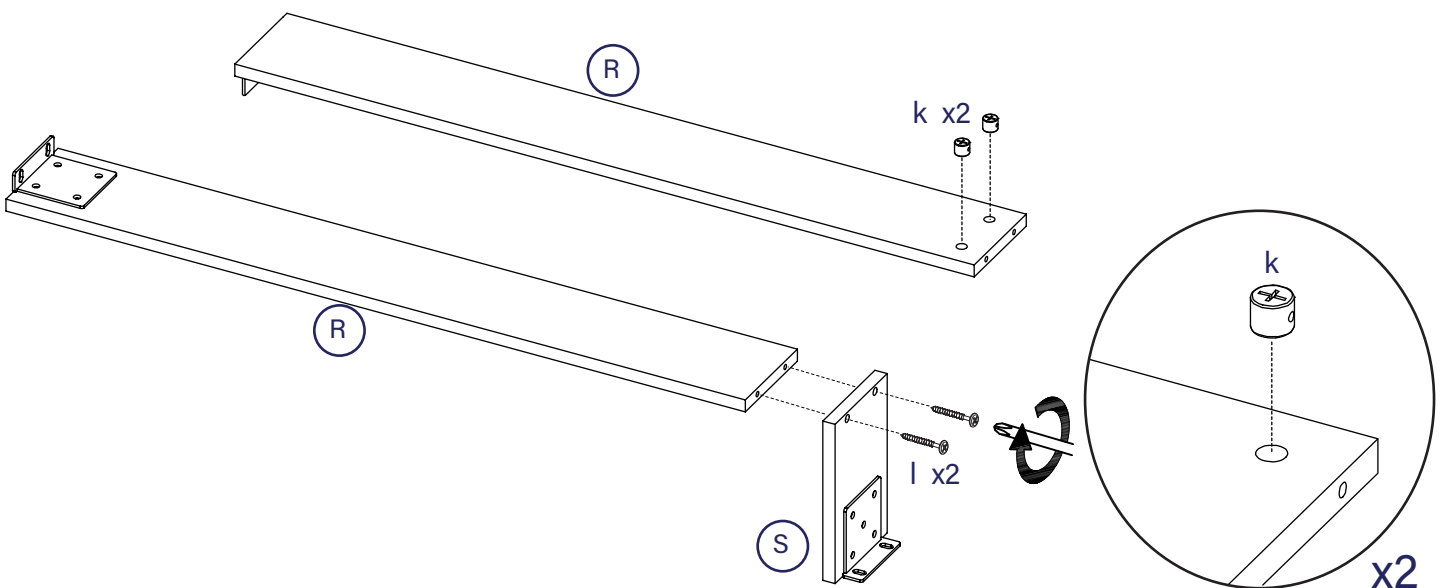
! The mattress base must be driven up by the motors. Make sure both DIN plugs are pushed into place properly and using the 'UP' arrow button on the remote control, lift until they stop. They always stop automatically, in the same position.



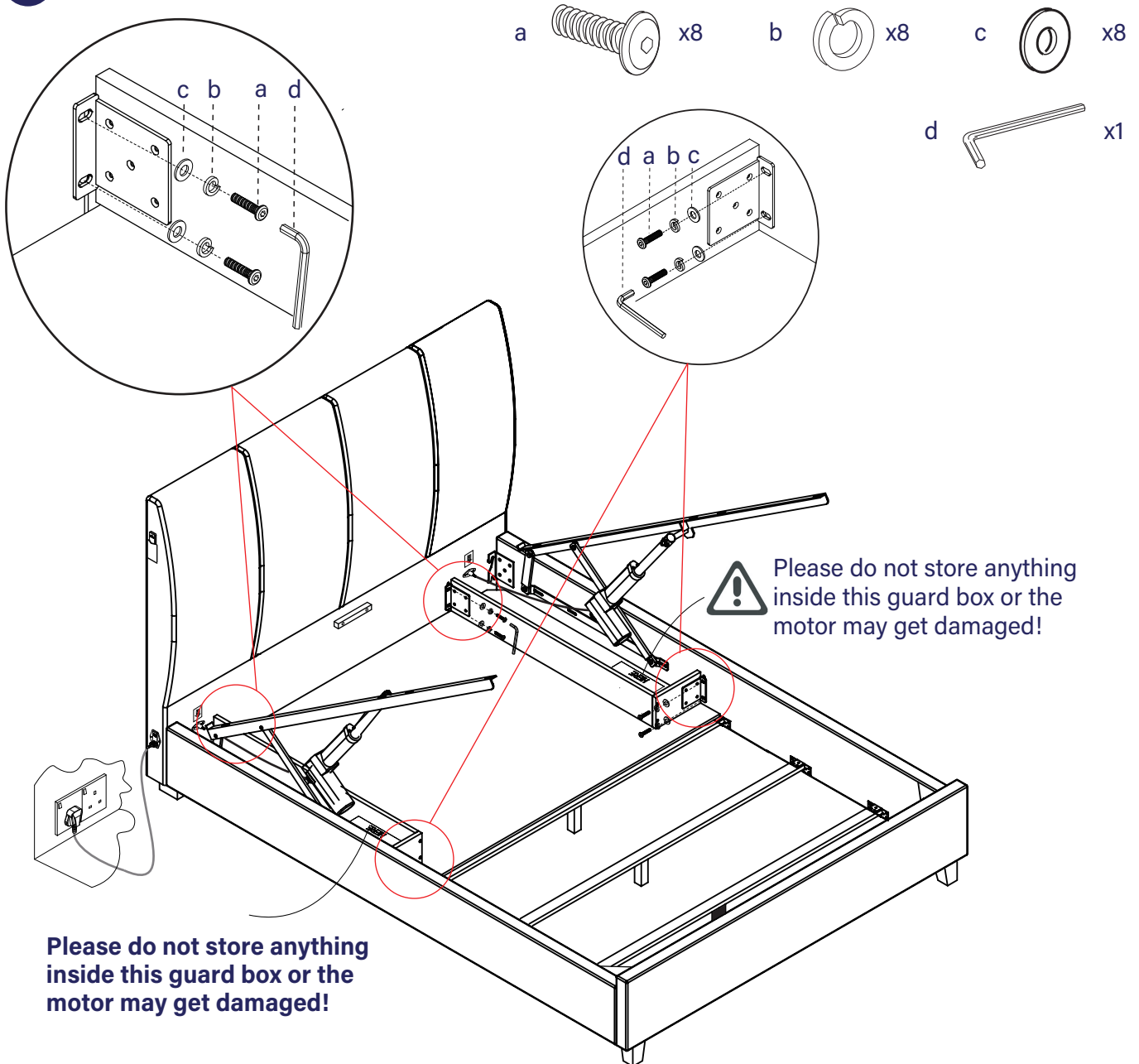
9 Fit the first storage base board, (Ga)



10 Assemble the motor guards.



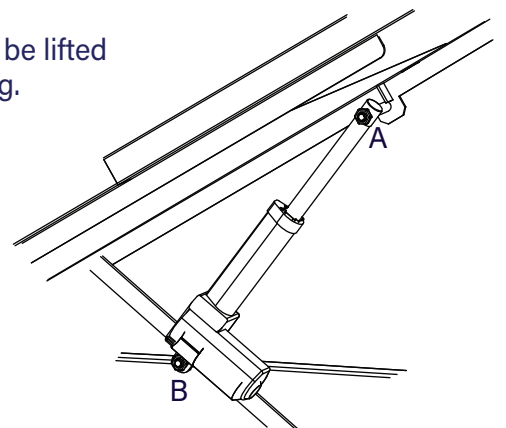
11 Fit the motor guards.



Emergency Lowering

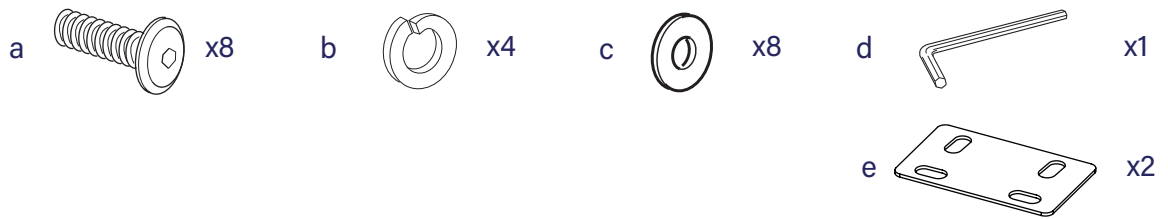
In an emergency such as a power cut and the bed is in the UP position, the bed can easily be lowered by hand;

- THIS REQUIRES TWO PEOPLE;
- Turn off the power and remove the mattress.
- First person supports the mattress base board - if low down, it can be lifted to a working level - if necessary use a suitable prop for safe working.
- Second person removes the four M8 motor nuts (A&B) with the 17mm spanner supplied in the hardware kit.
- When doing this, do not stand inside the bed on the storage base boards, if necessary, remove them first.
- Push the motors off the pivot pins evenly, gently laying them on top of the storage base-board.
- Bed is then gently lowered into it's lower resting position.
- Turn off the power switch on left side of Headboard.

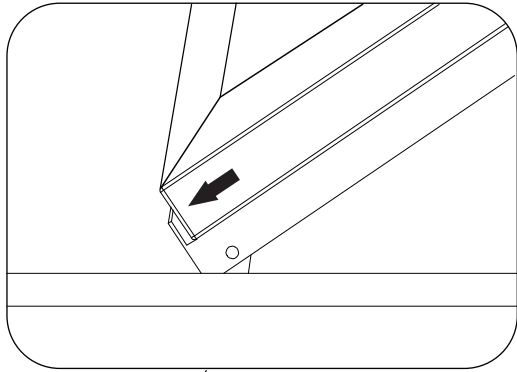


PLEASE THEN CALL CUSTOMER SERVICES 0344 292 00 00

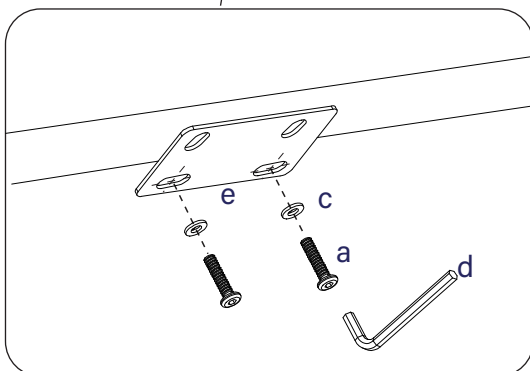
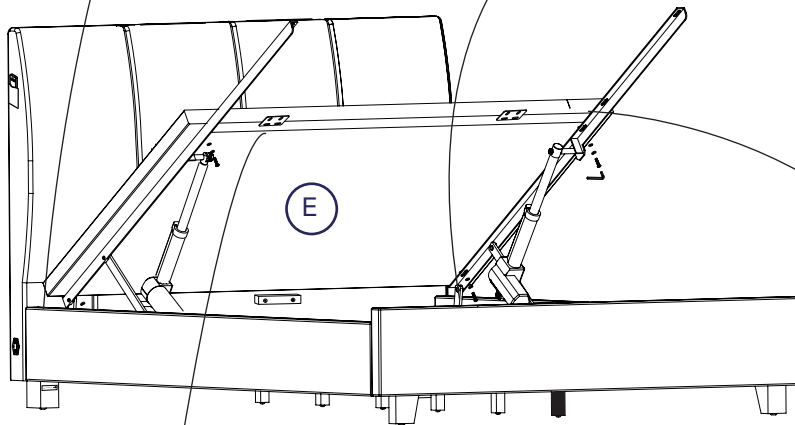
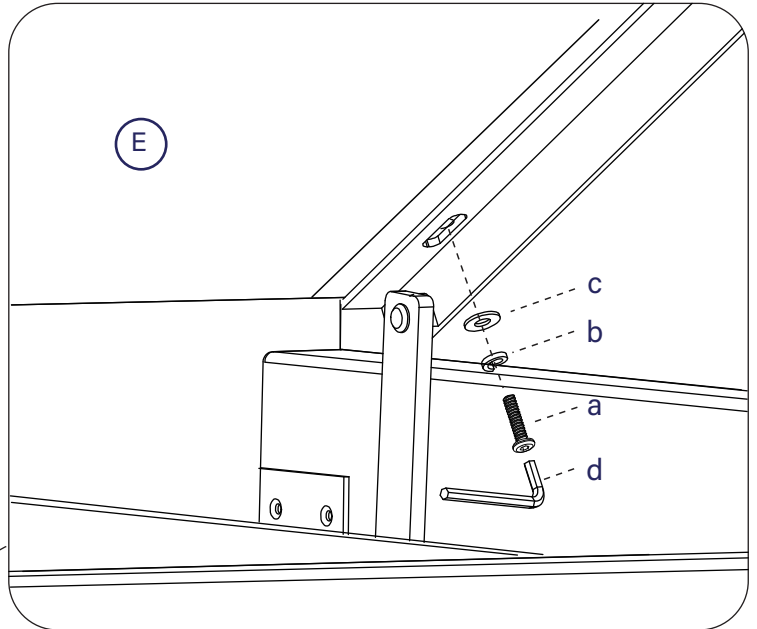
12 Fit the headend mattress base board (E)



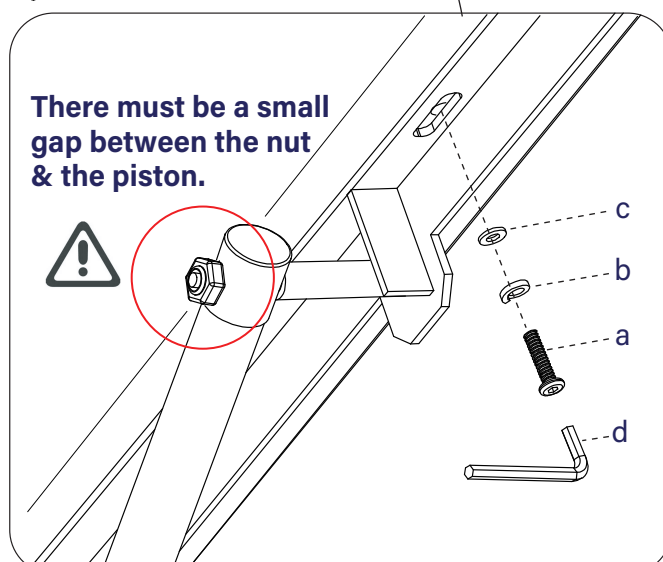
i) Slide headend mattress base board (E) up against the lifting arm stop plates.



ii) Carefully screw x4 bolt sets into the base board as shown - do not tighten 100% yet.



iii) Fit both connection plates (e) to headboard mattress base board (E) as shown, before fitting second mattress base (F).

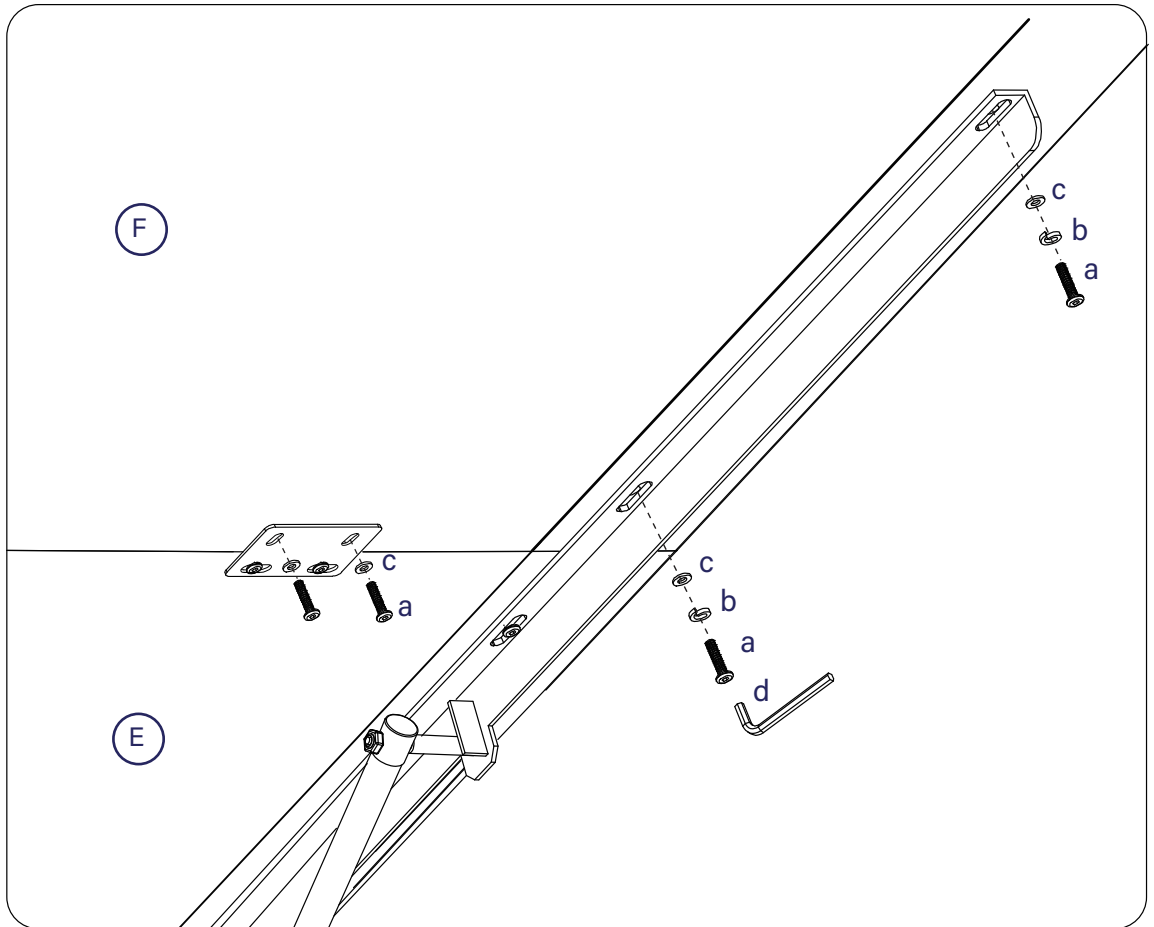


13

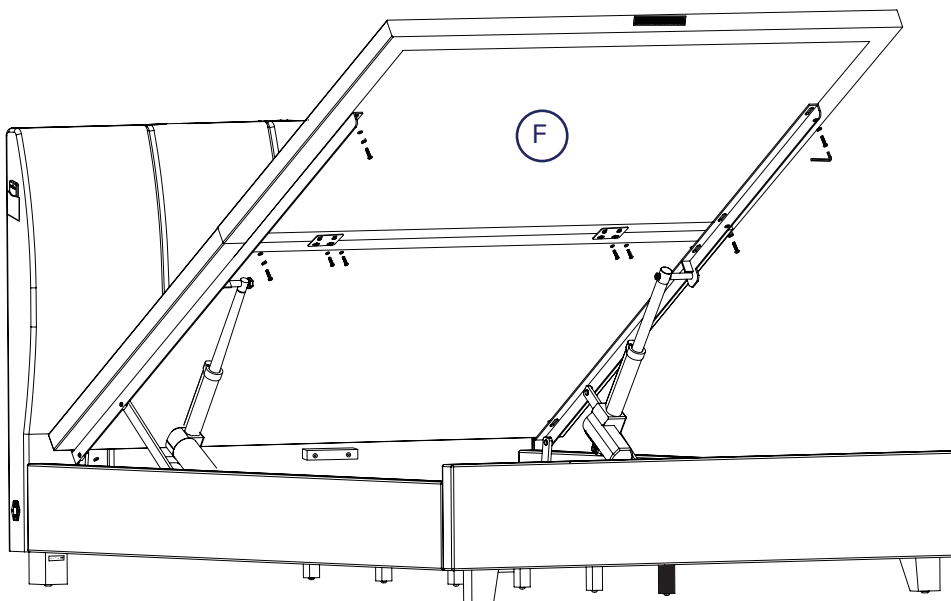
Fit the footend mattress base board (F)



i) Slide the footend mattress base board (F) into position.

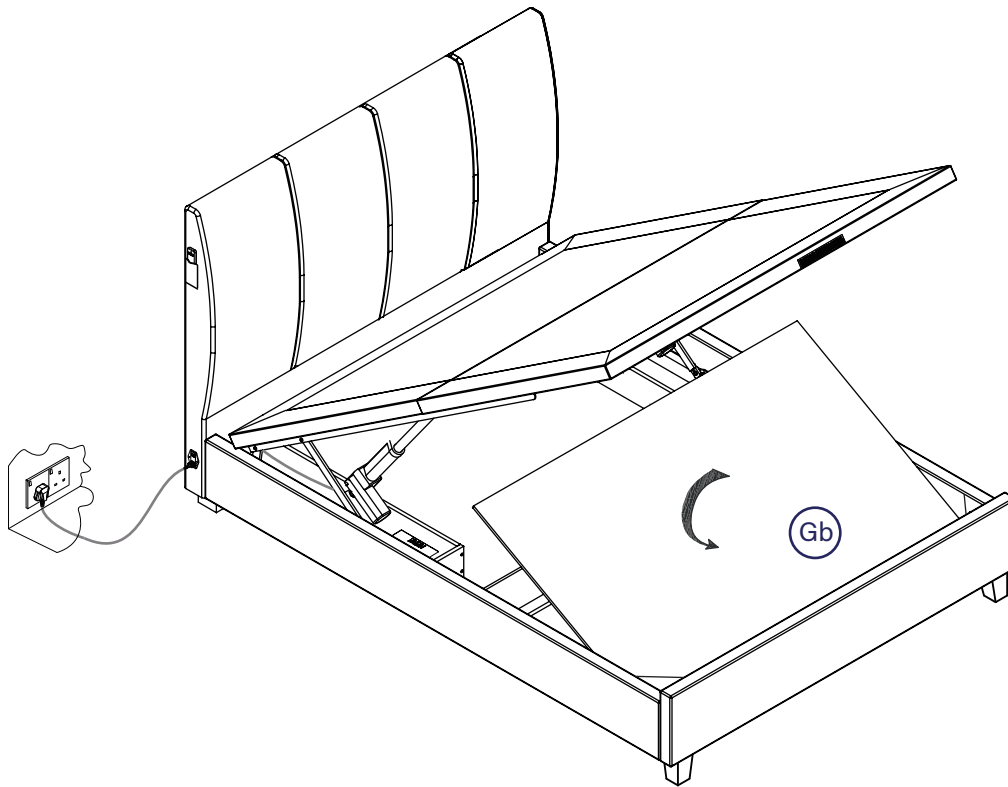


ii) Loosely connect plates (e) to (F) then screw other x4 bolt sets through the supports into the base board.

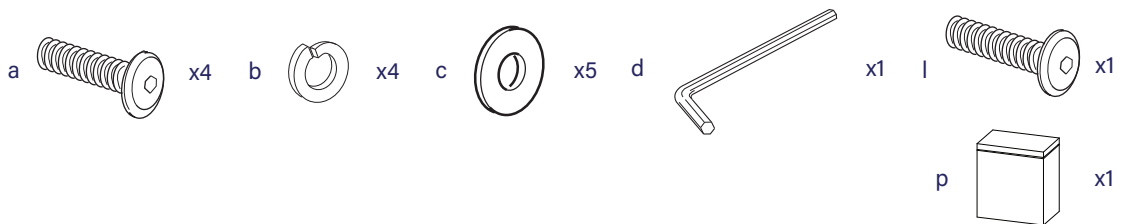


When all x16 bolt sets are in place, tighten all 100%.

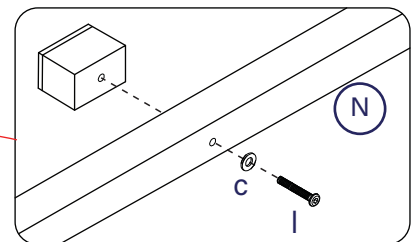
14 Fit the second storage base board (Gb)



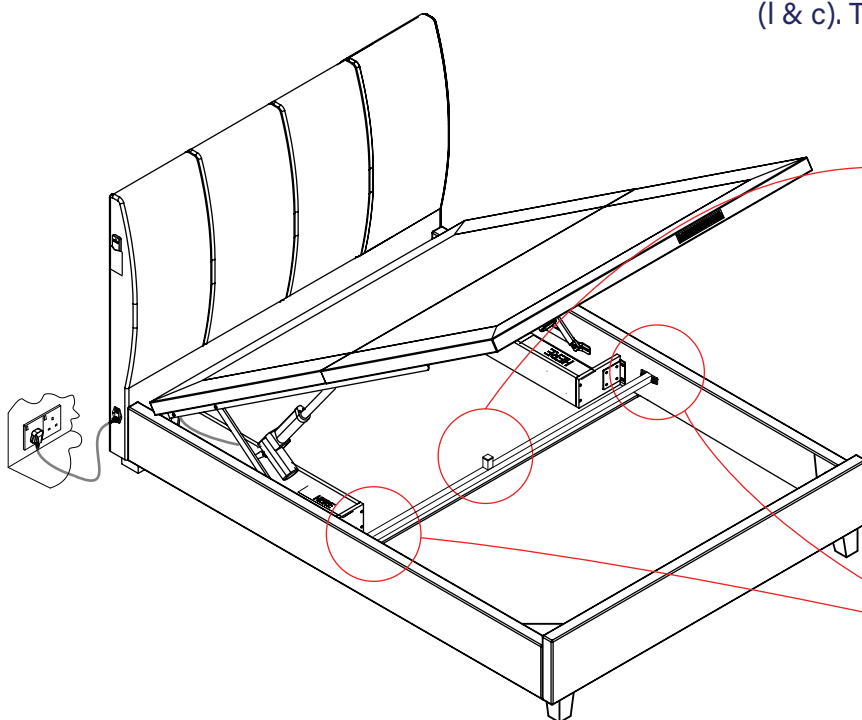
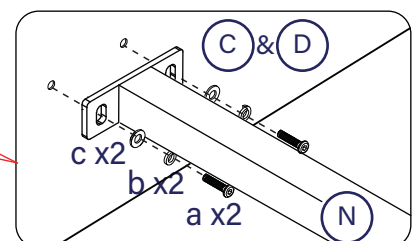
15



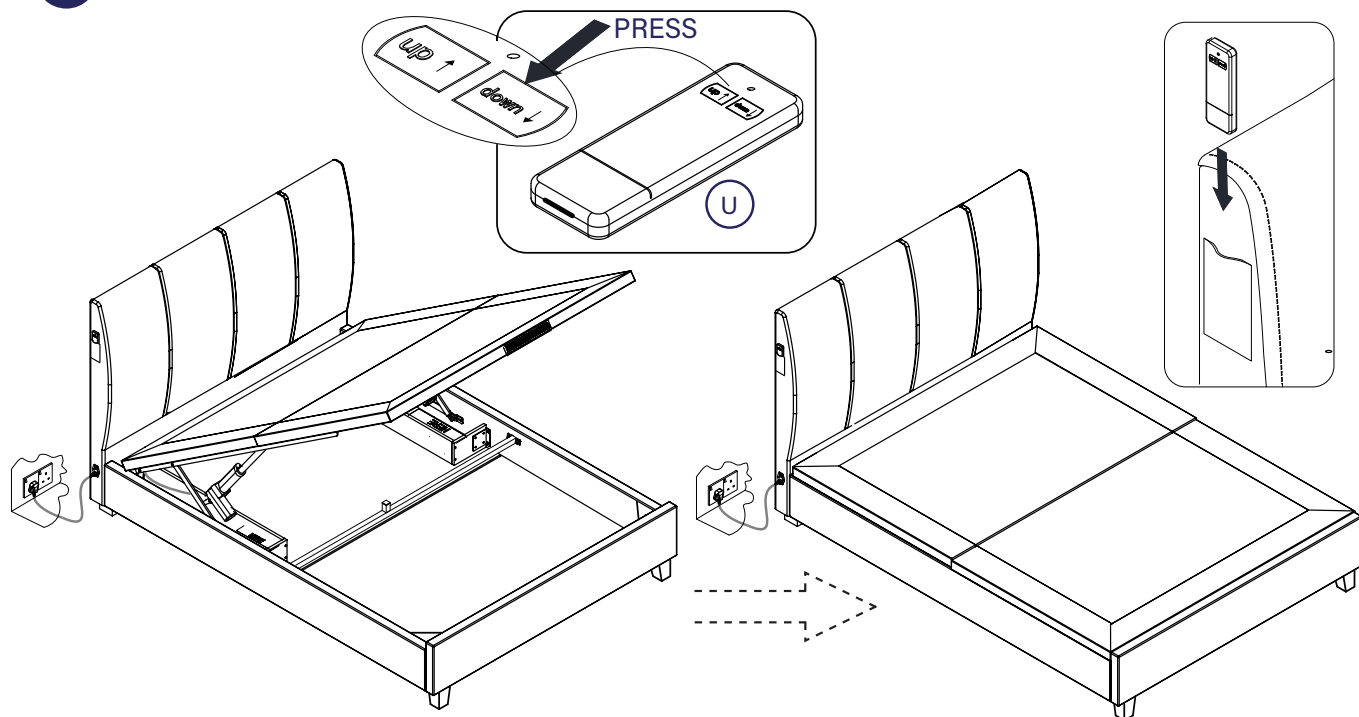
i) Fit the support block (p) in the centre of the side rail cross bar (N) using a bolt & flat washer (l & c). Tighten 100% using Allen key (d).



ii) Using four bolt sets (a,b & c), fit cross bar (N) to both side rails (C&D). Tighten 100% using Allen key (d). Take care not to damage the fabric when fitting.

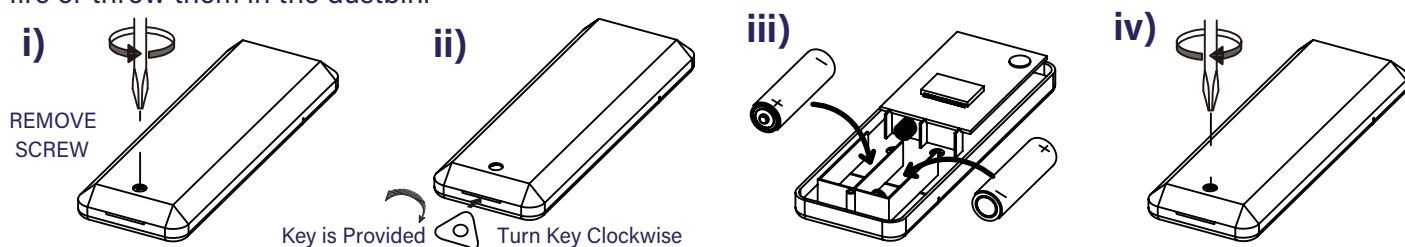


15 Lower the mattress base by pressing the remote control 'DOWN' button.



Battery change guide.

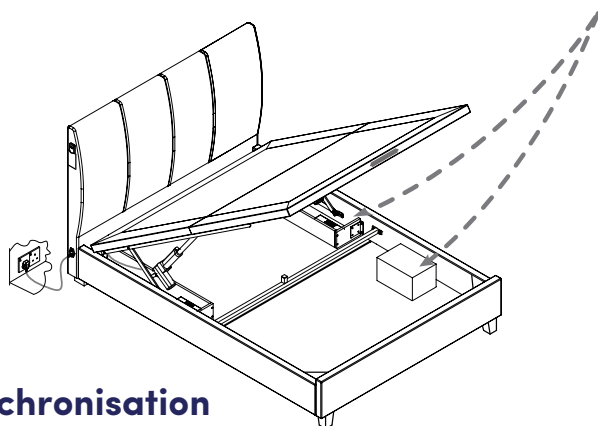
The batteries should last about two years with normal use. When you do need to change them, follow these instructions carefully. ⚠ Please take care how you dispose of the old batteries - never put them on an open fire or throw them in the dustbin.



Storage Area.

⚠ Be very careful what you store under the bed!

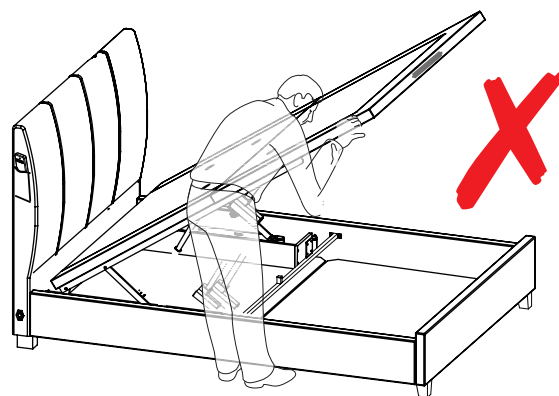
Never store anything inside the motor guards or motors may be damaged. The top of an item, like a box or suitcase, must not touch the underside of the mattress base boards. If on the downward travel, the mattress base stops - release button immediately & check for obstructions. Maximum storage height is 210mm.



Motor Synchronisation

- If mattress base board is not level make sure both DIN plugs are firmly pushed into their sockets.
- Drive mattress base boards down to their lowest point where base boards sit down on the side rails.
- When boards touch top of the rails, keep finger on down button for a further 8 secs.
- Motors are now synchronised and will operate simultaneously.

⚠ Moving the Bed



Never try to move the bed by pushing on the mattress base boards or the bed may get damaged and cannot be lowered.

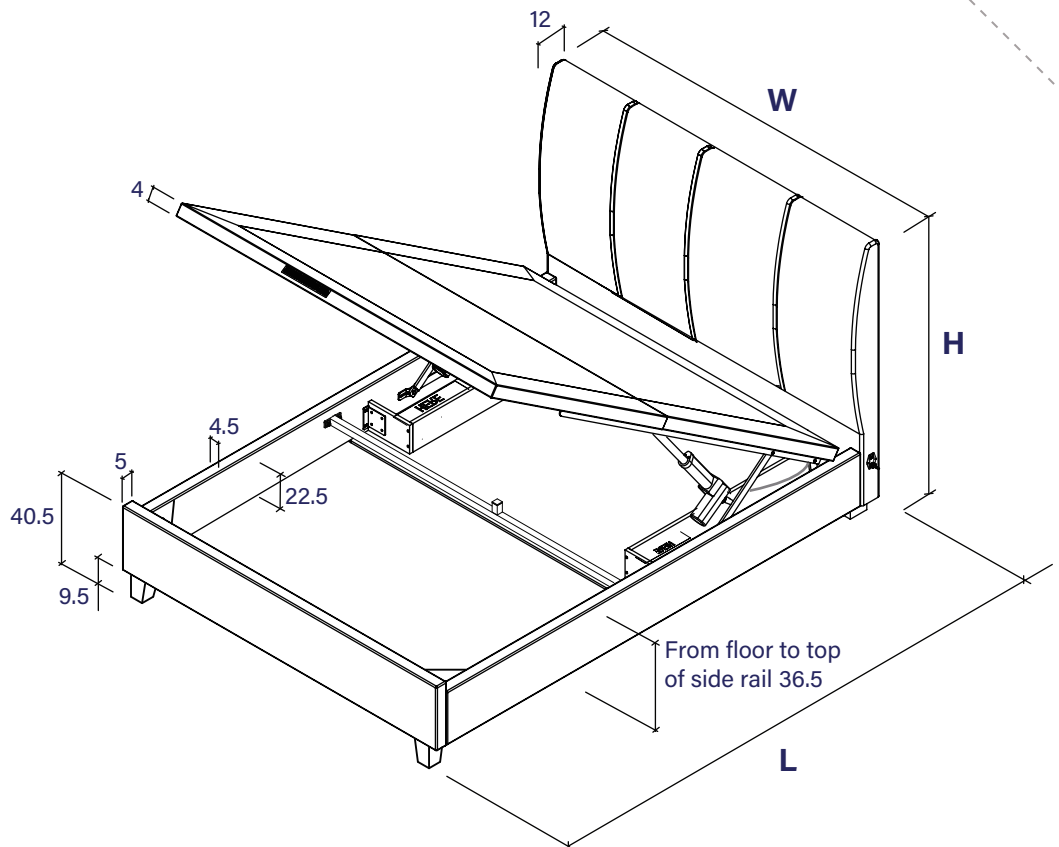
Technical Specifications

Overall Dimensions (LWH cm)

Single:	210 x 94 x 127
Small Double:	210 x 124 x 127
Double:	210 x 139 x 127
King:	220 x 154 x 127
Super King:	220 x 184 x 127

Storage Dimensions (LWH cm)

Single:	194 x 83 x 22.5
Small Double:	194 x 113 x 22.5
Double:	194 x 128 x 22.5
King:	211 x 143 x 22.5
Super King:	211 x 173 x 22.5



Care and maintenance

Here are some tips to keep your new bed in tip-top condition



Cleaning

To clean your new bed, we'd advise using a warm damp cloth or if fabric, remove dust using a low suction vacuum cleaner - please do not use abrasive chemicals or bleach as this may damage the product.



Checking and moving

Periodically we recommend you check that the screws or fixtures haven't become loose over time. To move your new bed, we recommend lifting it where possible, as dragging or pushing it could cause damage to your flooring.



Wood

Please note each of our wooden pieces are unique, meaning that markings and shade can vary slightly between beds. Over a period of time, the wood might lighten or fade slightly due to light exposure.



Fabric

Please note depending on the lighting, positioning and surroundings of your room, the shade of the colour can sometimes appear slightly different. Over a period of time the colour might lighten or fade slightly due to light exposure.



Metal

Metal tends to be more resilient to everyday wear and tear. We recommend to gently dust your metal furniture and keep it dry to maintain its look.

Thank you for shopping with us - we hope you have a great night's sleep

Sleep well



Little dreamers

Keep the little ones entertained while you assemble your new purchase.



Dreams