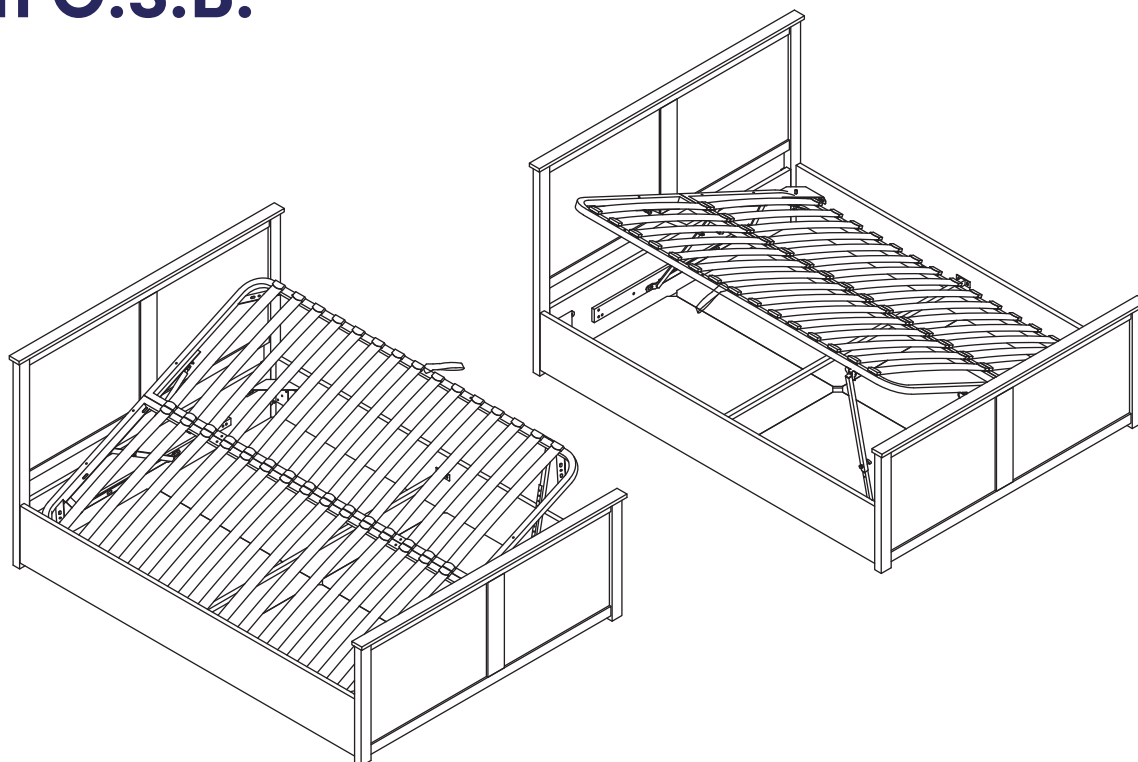


# Fairbourne Ottoman Bed with O.S.B.



## IMPORTANT OTTOMAN SAFETY WARNINGS

- **IMPORTANT - READ CAREFULLY - RETAIN FOR FUTURE REFERENCE**
- **You must ensure that the mattress is on the bed frame before operating the lift mechanism - Failure to do so could result in injury.**
- **Keep hands clear of the mechanism when opening or closing the ottoman.**
- **Beware of entrapment - Never reach in through the mechanism to access the storage area.**
- **Always ensure that the ottoman is FULLY opened before accessing the storage area.**
- **Do not exceed the maximum weight as specified in the table below:**

| Bed        | Bed Size     | Min Weight (kg) | Max Weight (kg) |
|------------|--------------|-----------------|-----------------|
| Fairbourne | Small Double | 20              | 50              |
|            | Double       | 20              | 50              |
|            | King         | 20              | 50              |



1.5 hour approx  
assembly time



Two person  
assembly

Mk1 240509

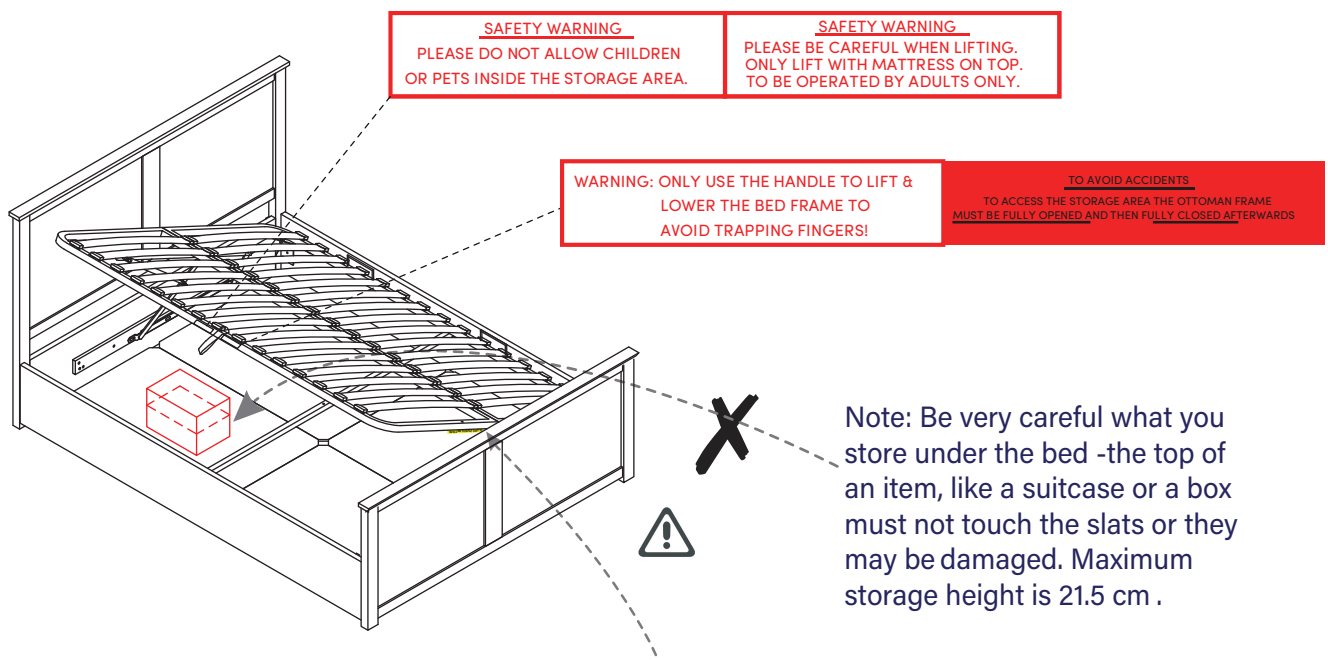
# Dreams

Love your bed

# IMPORTANT OTTOMAN SAFETY WARNINGS Cont.



- Use caution when operating, always use the handle when lifting.
- Note: This bed uses a pressurised mechanism.
- To be operated by adults only.
- Please ensure that children and pets are kept away from the bed when operating the lift mechanism.
- Keep children and pets away from the storage area.
- Do not overload the internal storage base.
- Do not stand inside the internal storage area of the bed.
- Before removing the mattress secure the frame to ensure it does not open unexpectedly.
- Do not attempt to lie on the mattress when the ottoman is in the raised position.
- When lifting the ottoman, remove all bedding except the fitted sheet.



**! WARNING! HAZARD - DO NOT REACH INTO THE SPACE BELOW!**

# Ottoman Beds - Important Safety Features

Our aim is always to give you the best experience and to ensure every effort has been made to guarantee your comfort and safety. Please take time to look at these instructions as they will help remind you how to operate your ottoman bed safely.

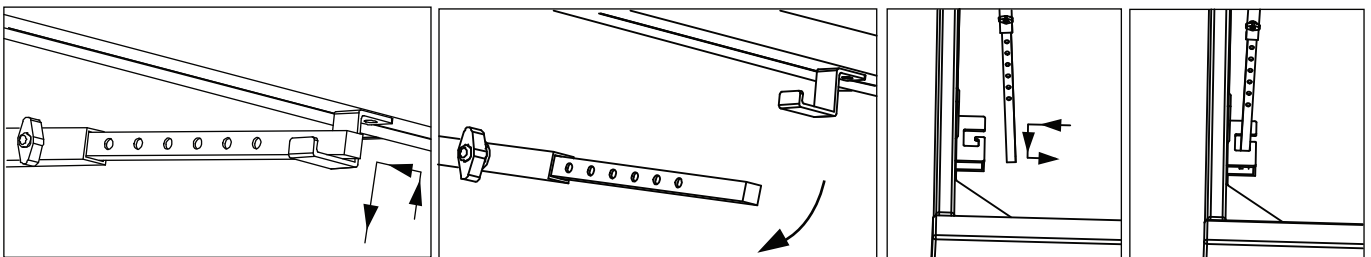
## **Here's a few things you need to remember;**

- ✓ **Pistons are already assembled, or occasionally need to be fitted, in their correct orientation - this improves piston performance and durability.**
- ✓ **"Break in " the piston seals on first use by raising & lowering the platform at least five times.**
- ✓ **Recommended mattress weights - do not exceed the maximum relevant weight specified in this Assembly Instruction.**
- ✓ **Ottoman support bar - always engage the support bar when accessing the ottoman storage area.**

Read all the instructions before using your Ottoman bed-frame and save the instruction booklet for future reference.

## **Ottoman Support Bar (O.S.B.)**

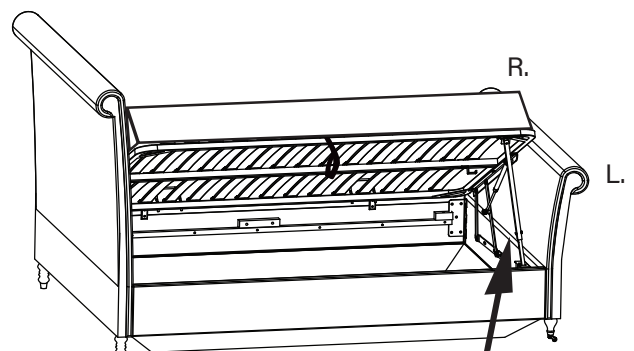
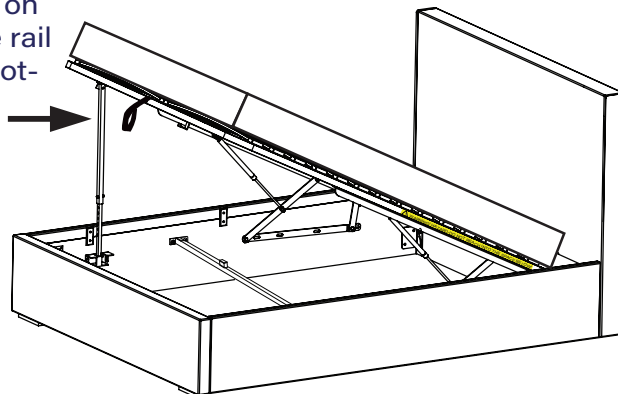
**For optimal safety during operation, always ensure the O.S.B. is engaged when accessing the ottoman storage area.**



1. Always raise the ottoman slat-frame to it's highest position before using the storage area. Locate the end of the O.S.B and insert into the fixed retaining bracket on the bed frame.
2. When you are ready to lower the ottoman platform, return the O.S.B to its original parking position.
3. Always ensure that the O.S.B is in position when the ottoman is open, this prevents injury, or damage to the product.

## **Location of the O.S.B**

End-lift O.S.B is mounted on the left side rail or on the foot-end.



Side-lift: O.S.B is on either the left side or right side of the footend.

## **WARNING! Risk of Entrapment**

- The pistons on the ottoman bed frame can support a maximum load (evenly spread) as indicated in the Minimum and Maximum load table, on Page 1 of this Assembly Instruction.
- Overloading the sleeping platform may contribute to damage to the product resulting in potential serious injury.
- Do not sit on the mattress whilst the platform is in motion or is in the raised position.
- Users should only get in and out of bed when platform is in the flat (horizontal) position.

# Thank you

Hello, thanks for choosing to purchase your bed from Dreams - you're now on your way to your best ever night's sleep. Before you begin building your bed, please take a moment to read through the instructions and make sure that you've got all the relevant parts listed on the following pages.



## Assembly tips

Before you begin, it's best to identify all parts and fittings to build your bed. We advise laying these out on the floor to check you have everything, and familiarising yourself before building.



## Top tip

We recommend that you build your new bed in the room you'd like it to be located - this will help prevent any risk of damage to your newly built bed whilst moving it.



## Safety and care

It's really important to ensure children and animals are kept away from the assembly area, as there are small components used in this bed which could present a choking hazard. All plastic and wrapping materials should also be kept away from children and animals to prevent any risk of suffocation. To keep your little ones busy, there is a colouring page inside the back cover.



## Help and support

At Dreams, it's our mission to give the whole nation a great night's sleep - this means that the quality of our products is of utmost importance to us. If there are any issues with your product or any missing parts, please visit our website at [www.dreams.co.uk/help](http://www.dreams.co.uk/help)



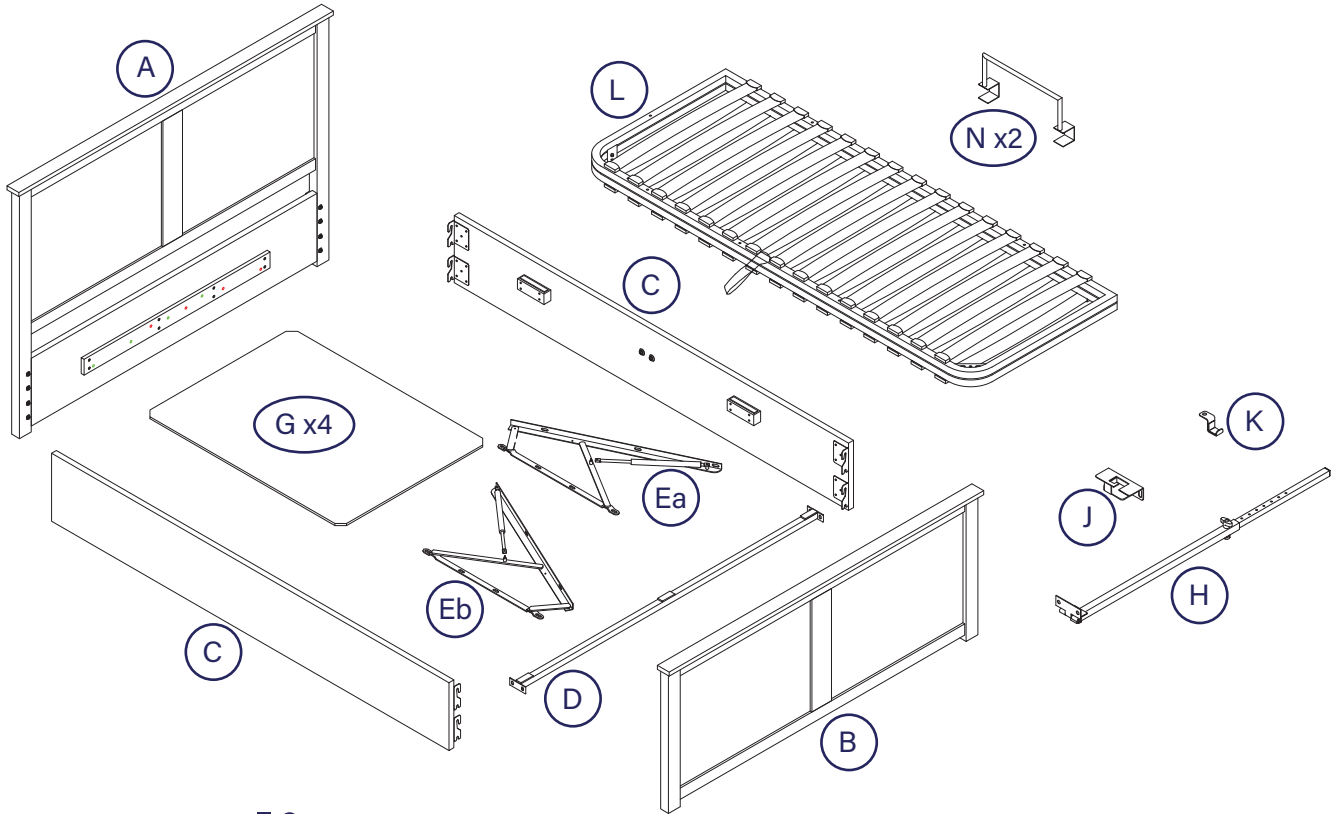
## Recycling

As part of our zero to landfill policy, we're more than happy to collect and recycle your old bed or mattress, ensuring no part goes to waste. We will also take away all your packaging for recycling at point of delivery. Please check out our services on [www.dreams.co.uk/recycling-services](http://www.dreams.co.uk/recycling-services) for more information. If you do not want us to do this, please check with your local recycling centre on the best recycling method.

# Parts

## Important information

The bed you have purchased comes with a metal lift-up slat-frame, please follow the instructions below in the current order. Before you begin building your bed, please take a moment to read through the instructions and make sure that you've got all the relevant parts listed on the following pages.



## Parts list

| Code     | Description         | Qty    | Pack | Code                                     | Description             | Qty | Pack |
|----------|---------------------|--------|------|--|-------------------------|-----|------|
| A.       | Headboard           | 1      | 1    | <u>Ottoman Support Bar pack (O.S.B.)</u> |                         |     |      |
| B.       | Footboard           | 1      | 3    | H.                                       | Ottoman support bar     | 1   | 4    |
| C.       | Side Rails          | 2      | 2    | J.                                       | Fixed retaining bracket | 1   | 4    |
| D.       | Side Rail Cross Bar | 1      | 4    | K.                                       | Parking bracket         | 1   | 4    |
| Ea & Eb. | Gas Lift Mechanisms | 1 Pair | 2    | L.                                       | Metal Slat Frame        | 1   | 4    |
| G.       | Storage Base Board  | 4      | 4    | N.                                       | Mattress Stopper        | 2   | 4    |

## Tools required



Tape measure



Cross head screwdriver



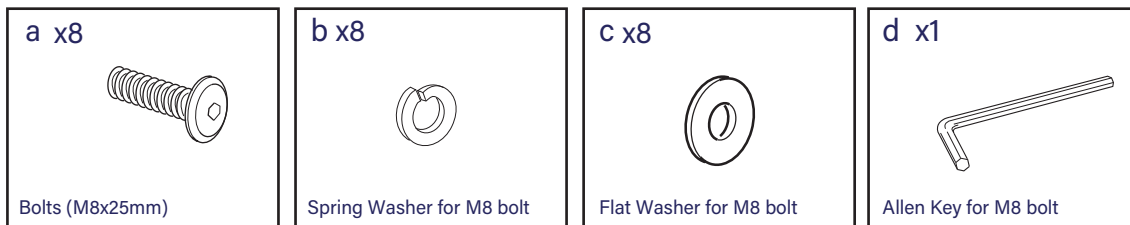
0cm 1 2 3 4 5 6 7 8 9 10 11 12 13 14 15 16 17 18

# Fittings

Please check you have all the fittings listed below with your product:

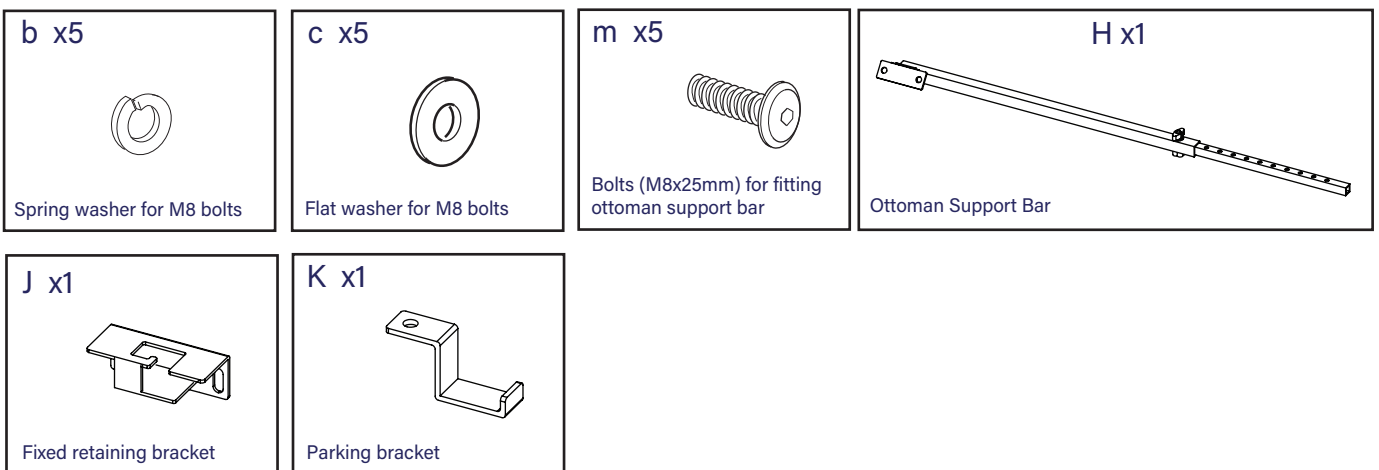
## Hardware needed for fixing the side rails and the gas-lift mechanisms to the headboard & footboard

### Packed in side rail carton Pack 2 - hardware pack (A)



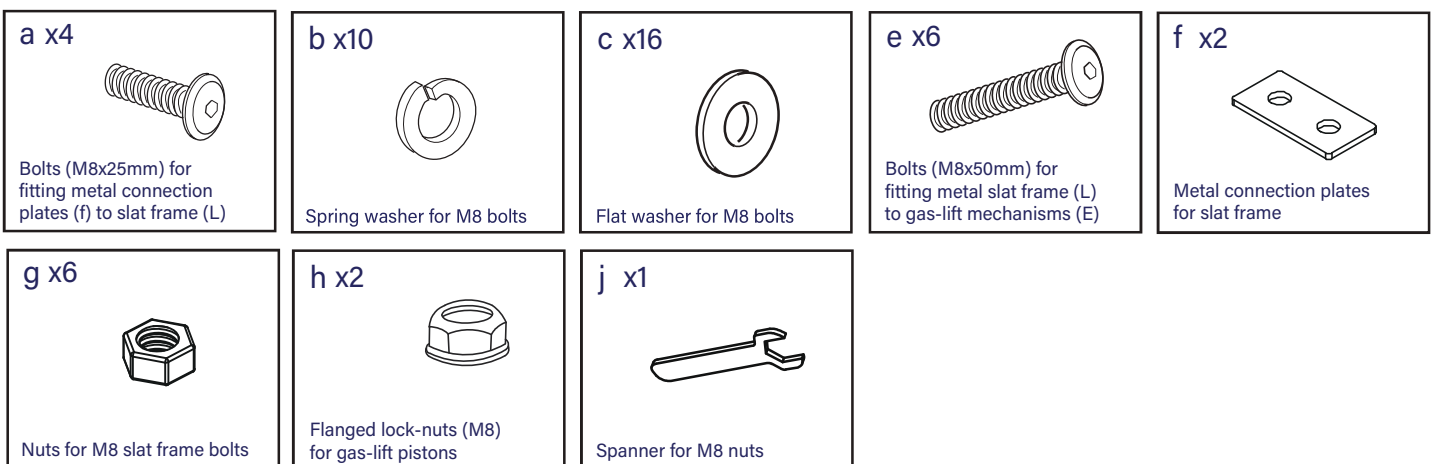
## Hardware needed for fixing ottoman support bar (O.S.B) to the bed-frame

### Packed inside the Ottoman Support Bar carton, inside Pack 2



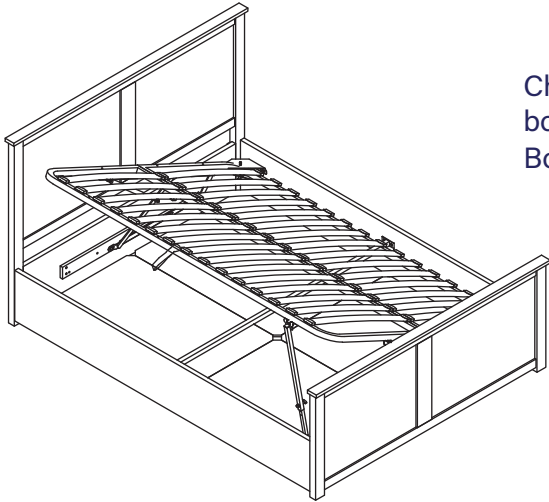
## Hardware needed for fitting the metal ottoman slat-frame

### Packed in metal ottoman slat-frame Pack 4 - hardware pack (D)



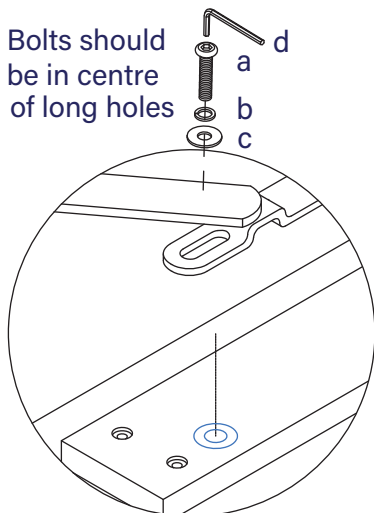
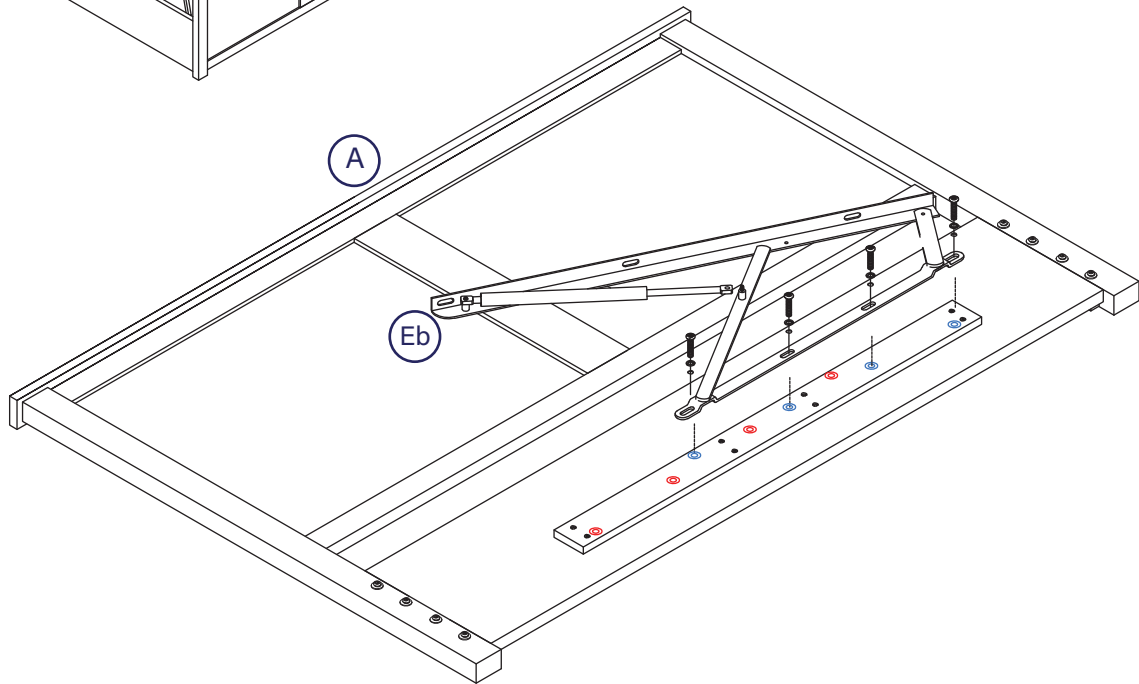
1a

Prepare headboard & footboard choosing from which side to lift up the slat-frame.  
Follow these instructions if you want to lift the frame up from the LEFT side of the bed.



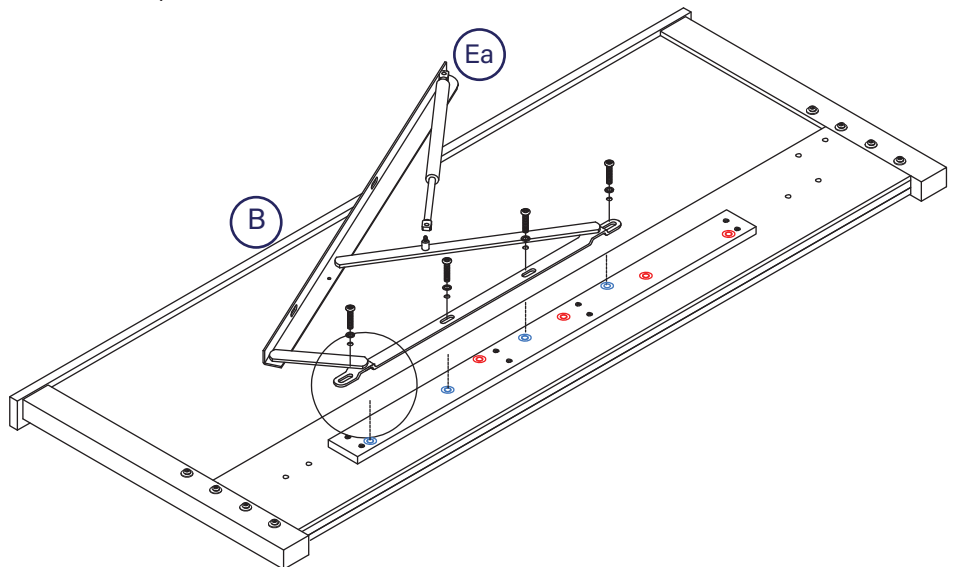
Check this diagram and if access is needed from the left side, fit both lift mechanisms to right side of the headboard & footboard. Bolt into the holes marked (R) with blue labels.

The mechanisms are labeled E(a) & E(b). Please carefully follow the diagram below.



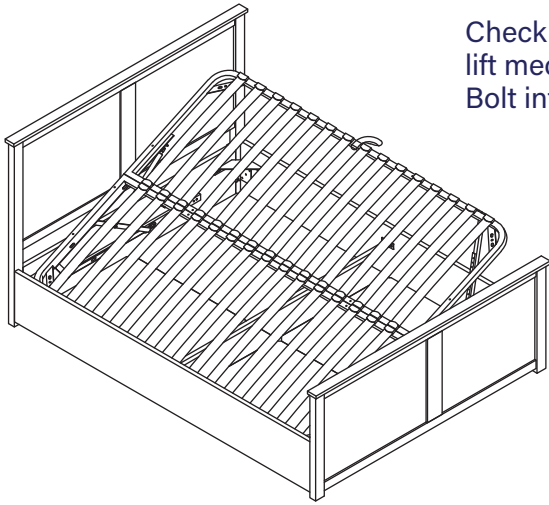
Bolts should be in centre of long holes

Align with the Blue labels



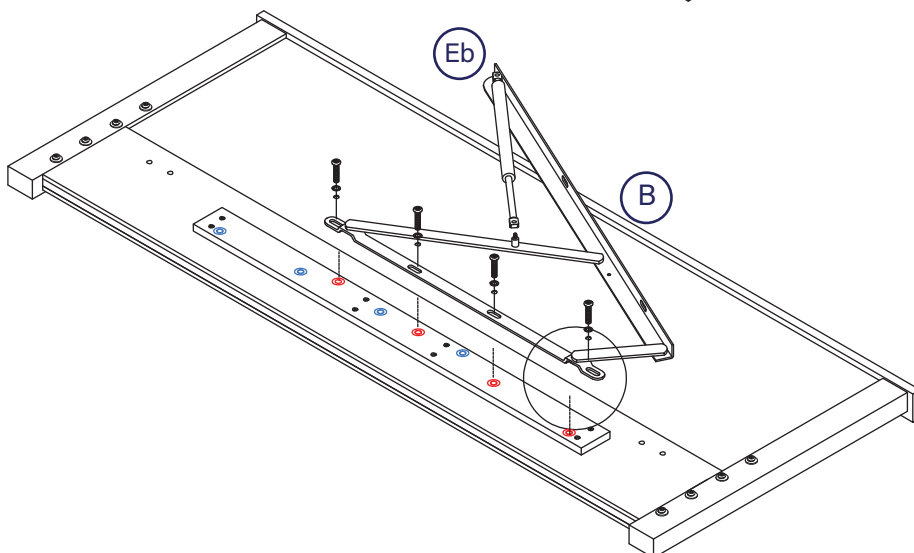
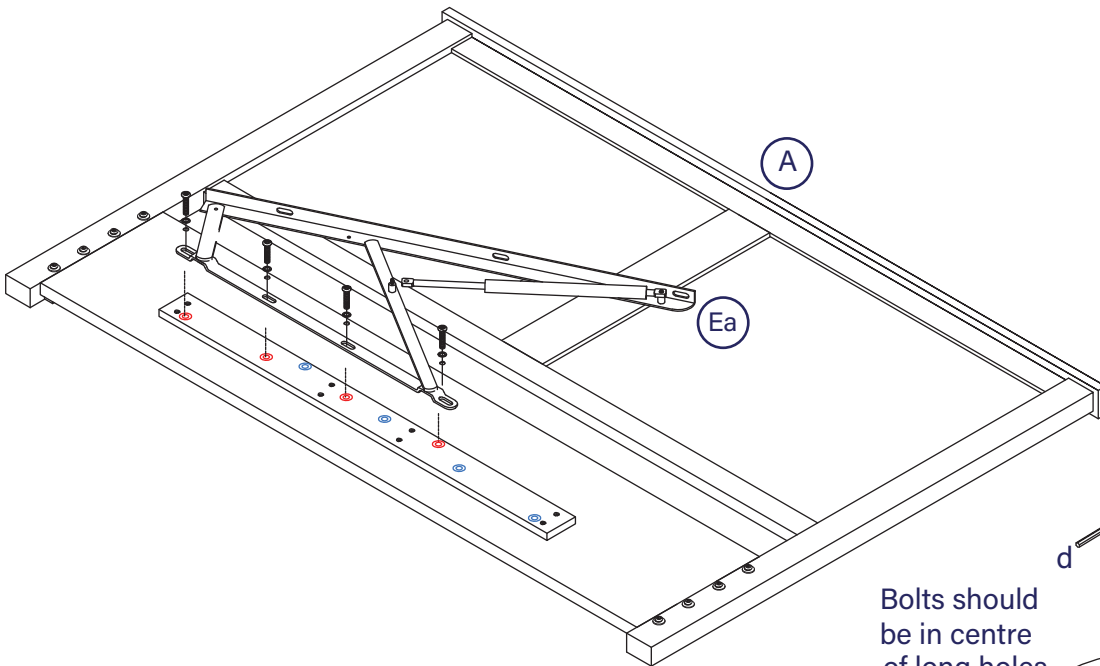


**1b** Follow these instructions if you want to lift the frame up from the **RIGHT** side of the bed.

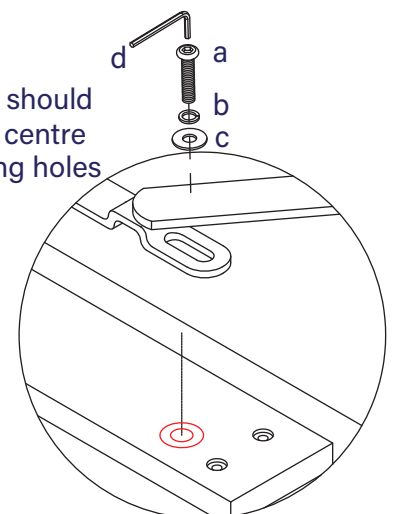


Check this diagram and if access is needed from right side, fit both lift mechanisms to left side of the headboard & footboard. Bolt into the holes marked (L) with red labels.

The mechanisms are labeled E(a) & E(b) please carefully follow the diagram below.



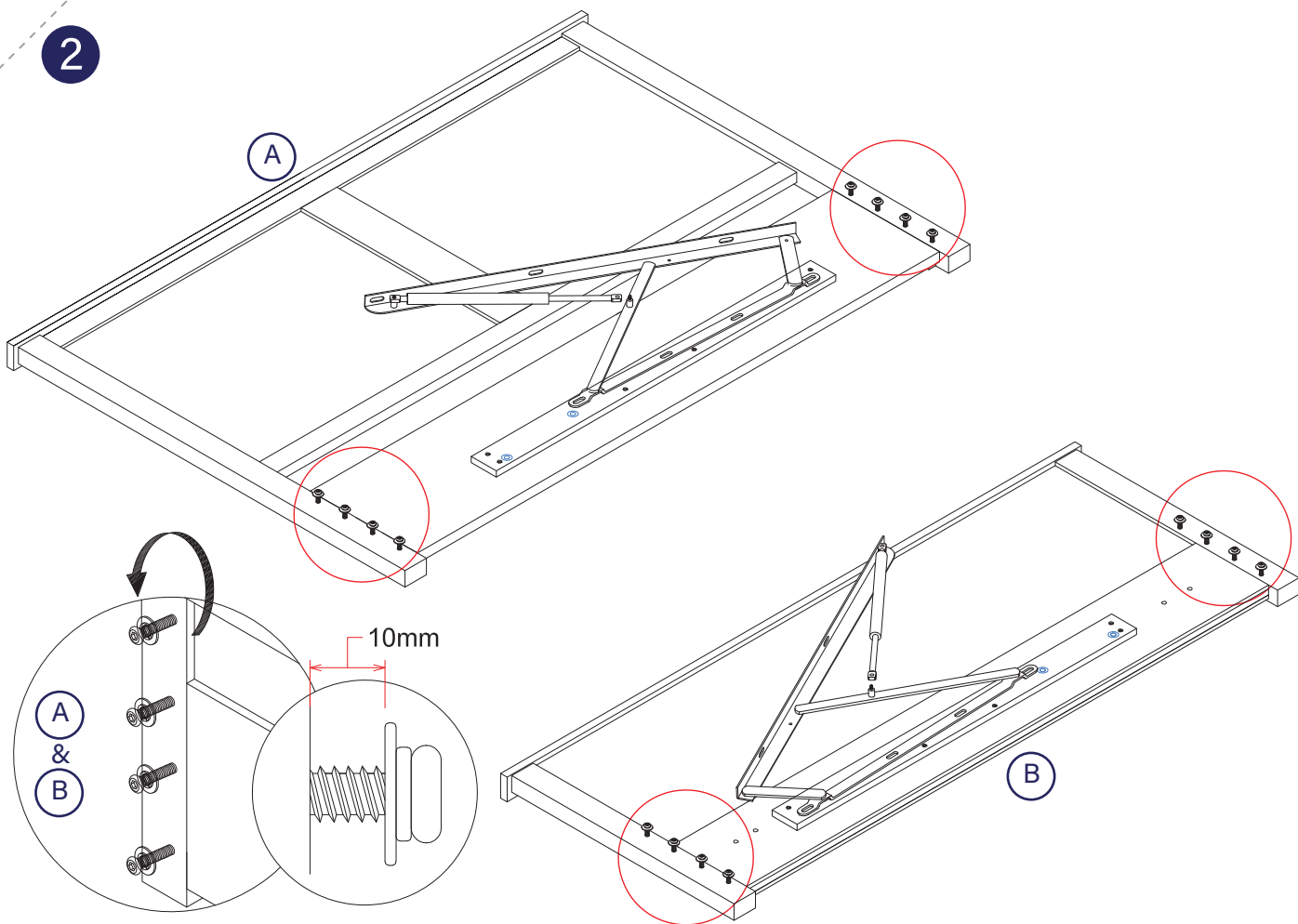
Bolts should be in centre of long holes



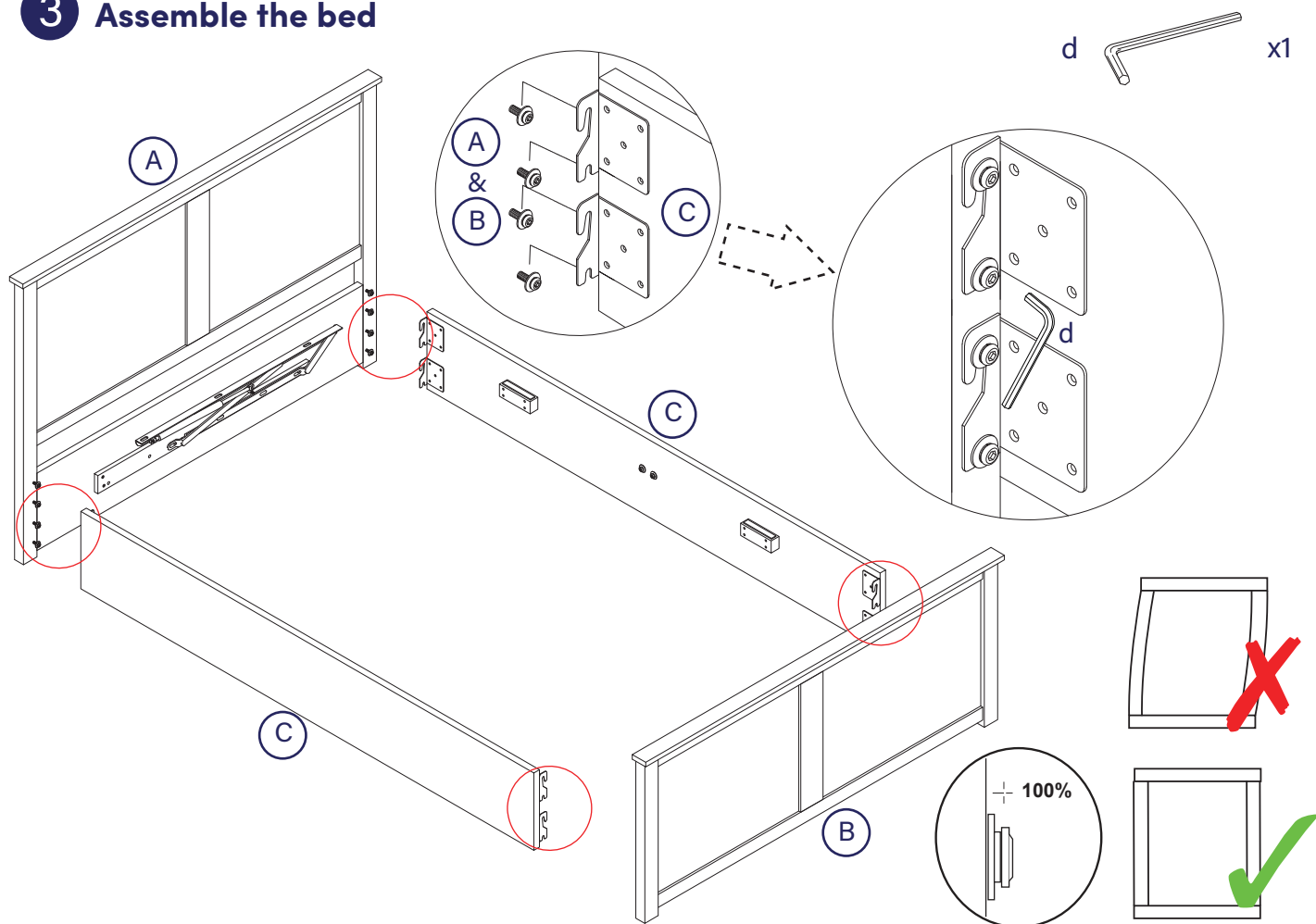
**Align with the Red labels**



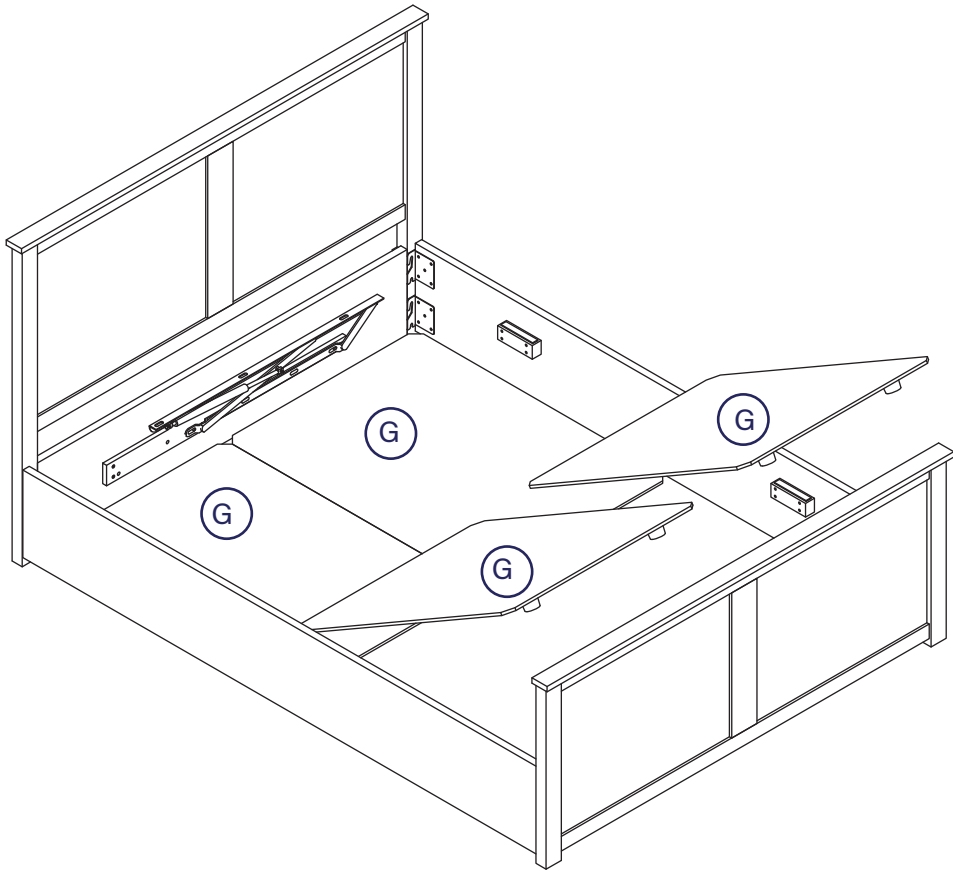
2



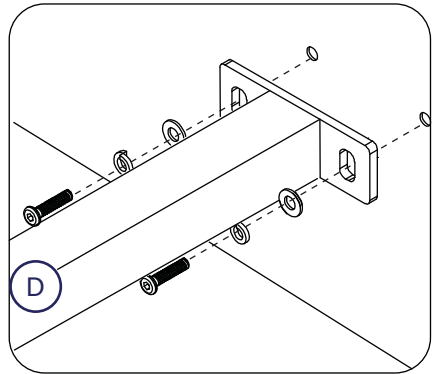
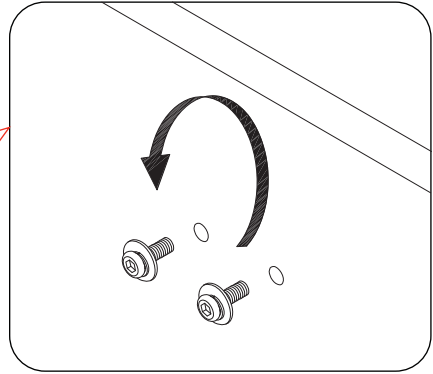
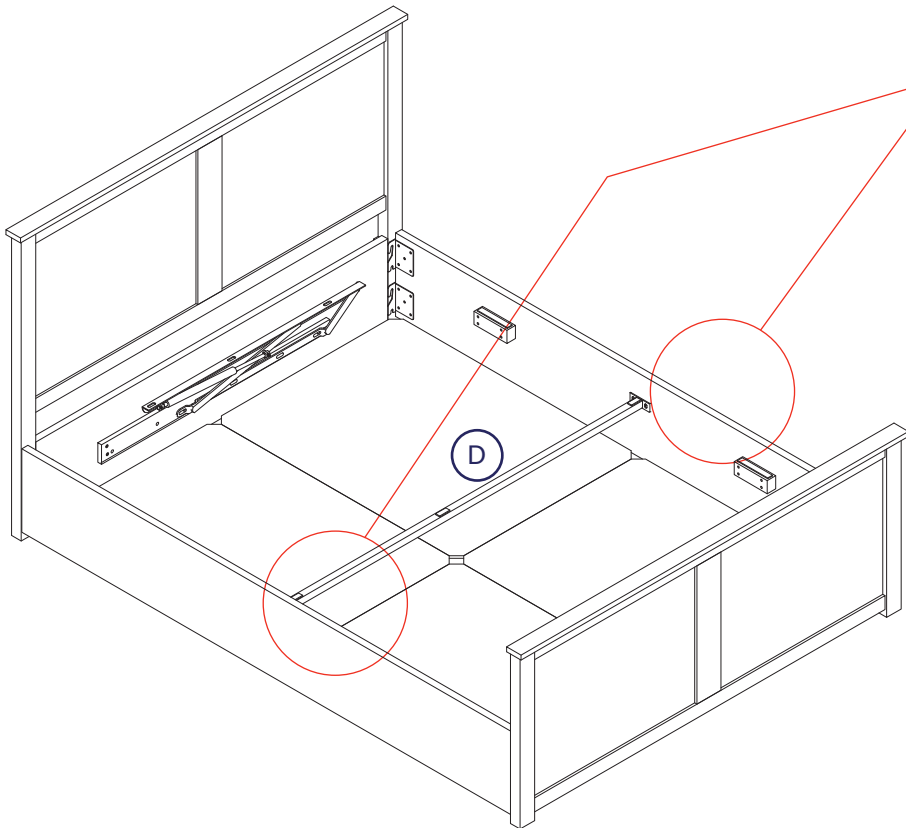
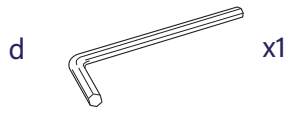
### 3 Assemble the bed



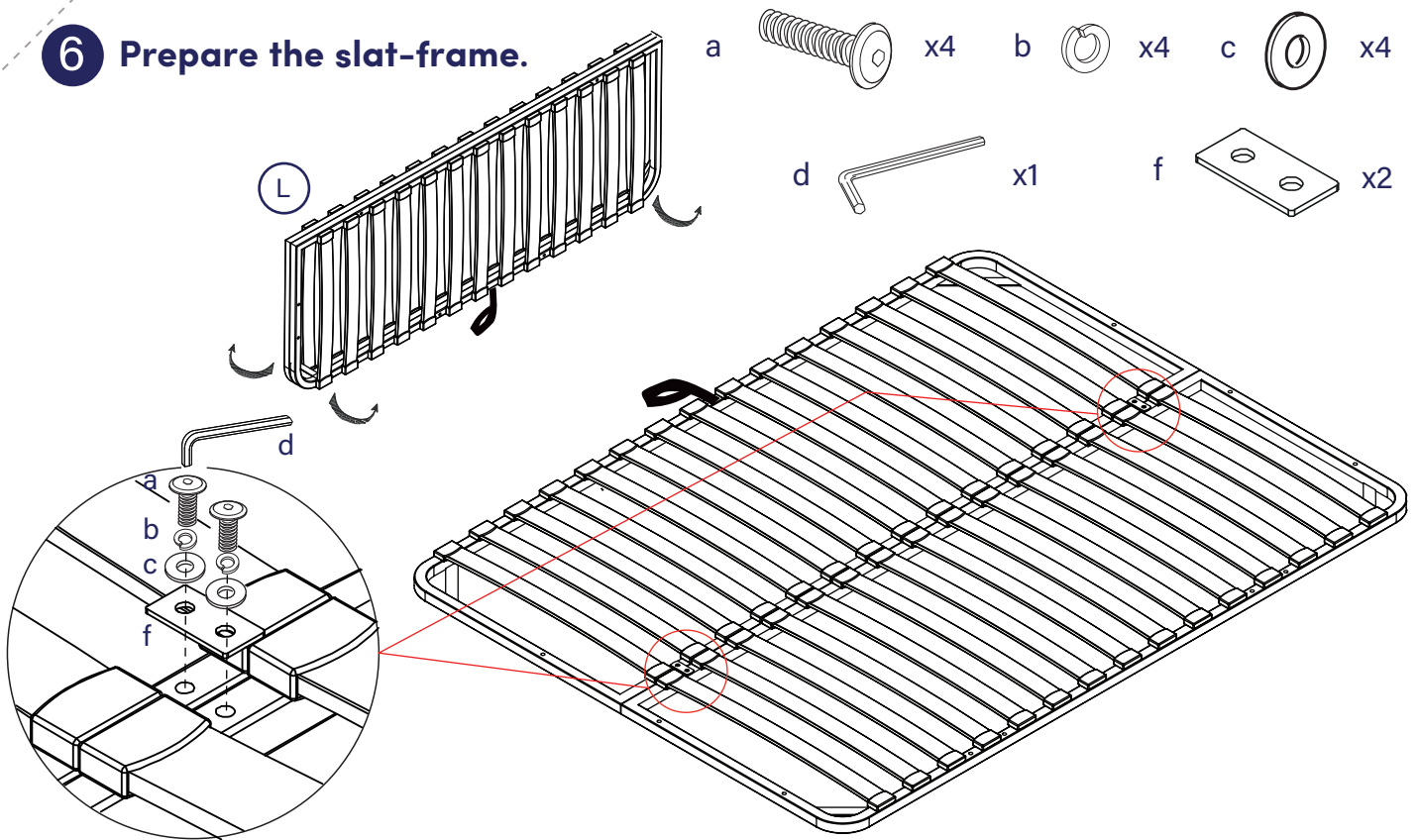
4



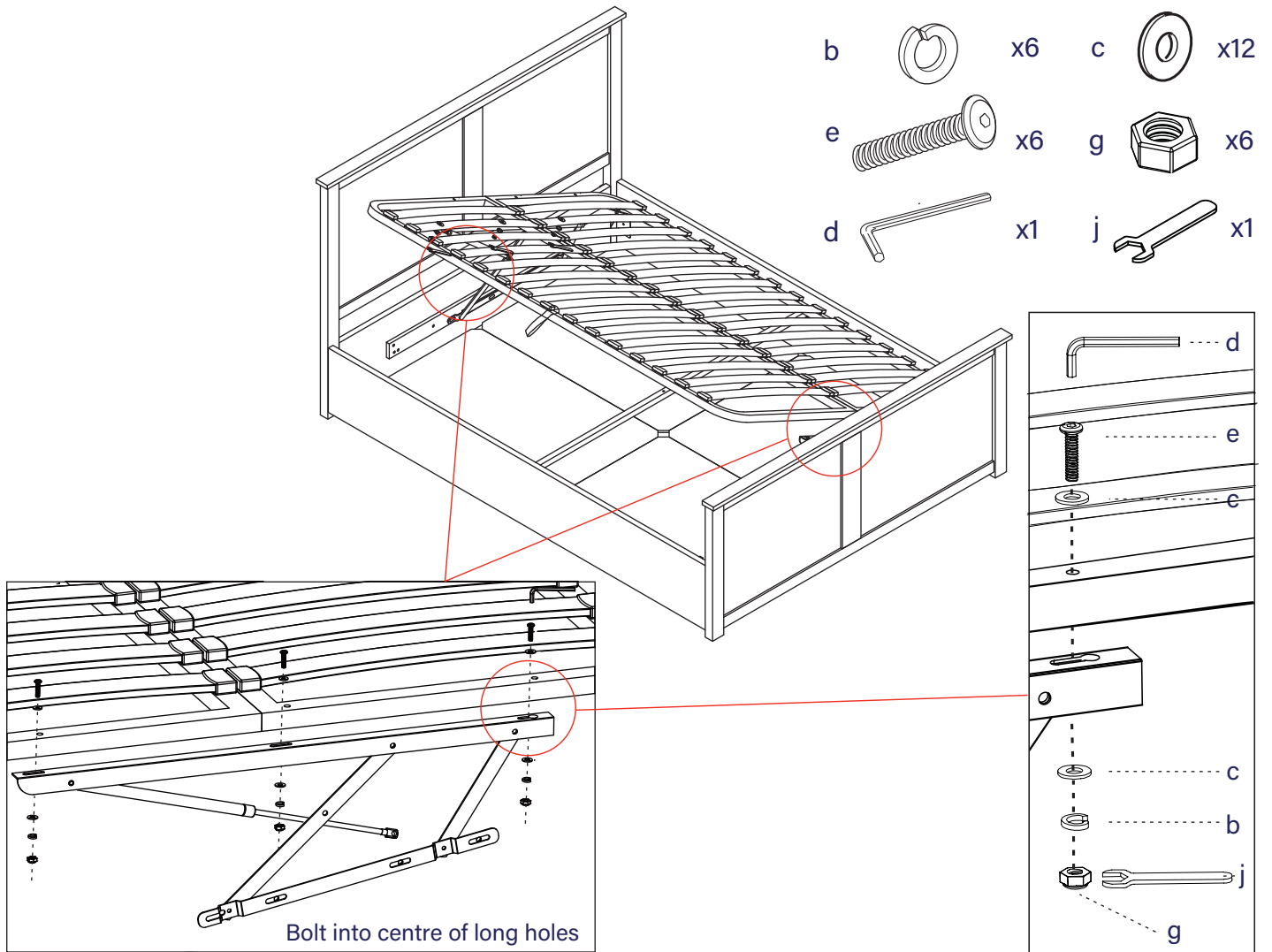
5



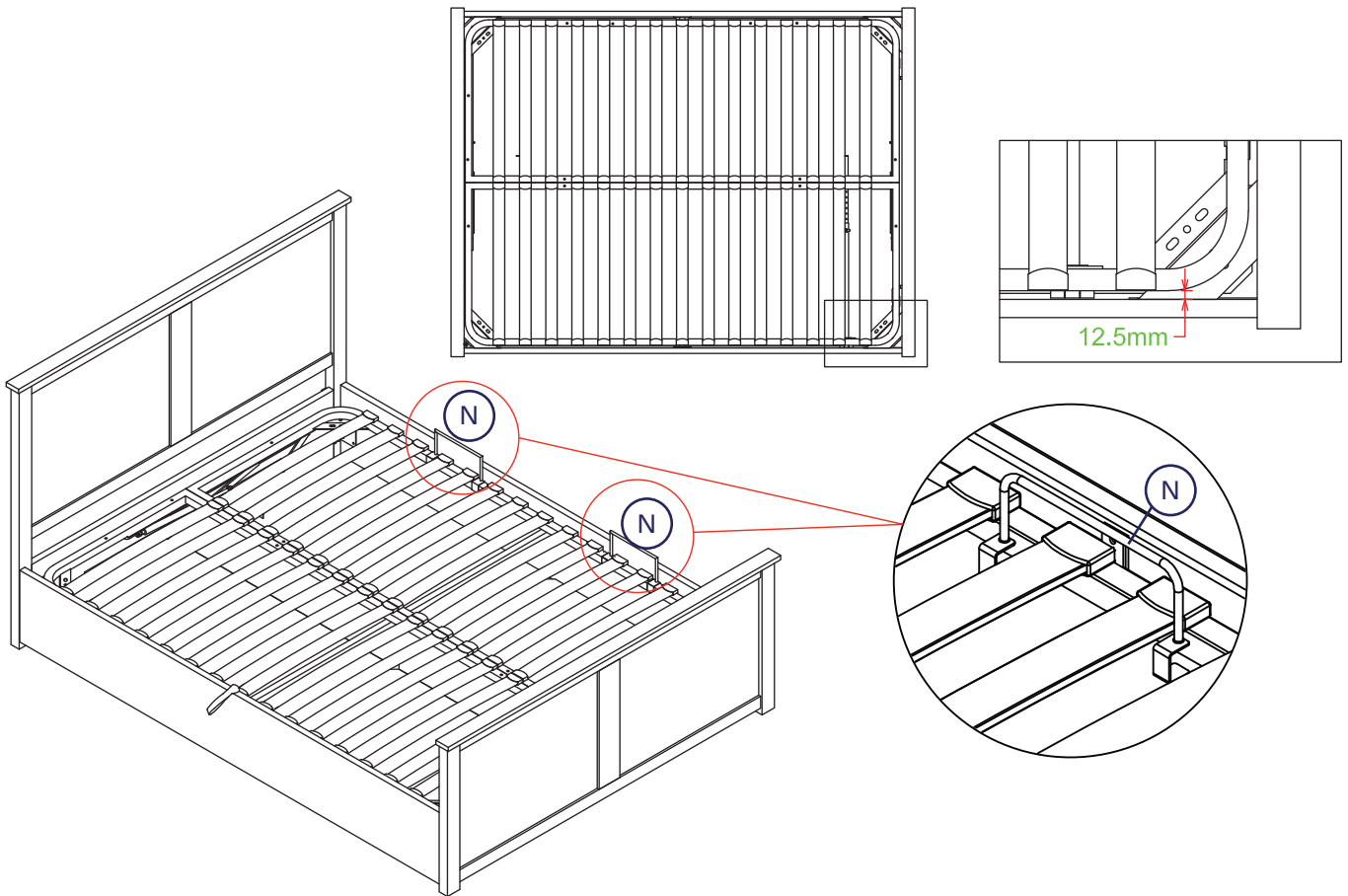
**6 Prepare the slat-frame.**



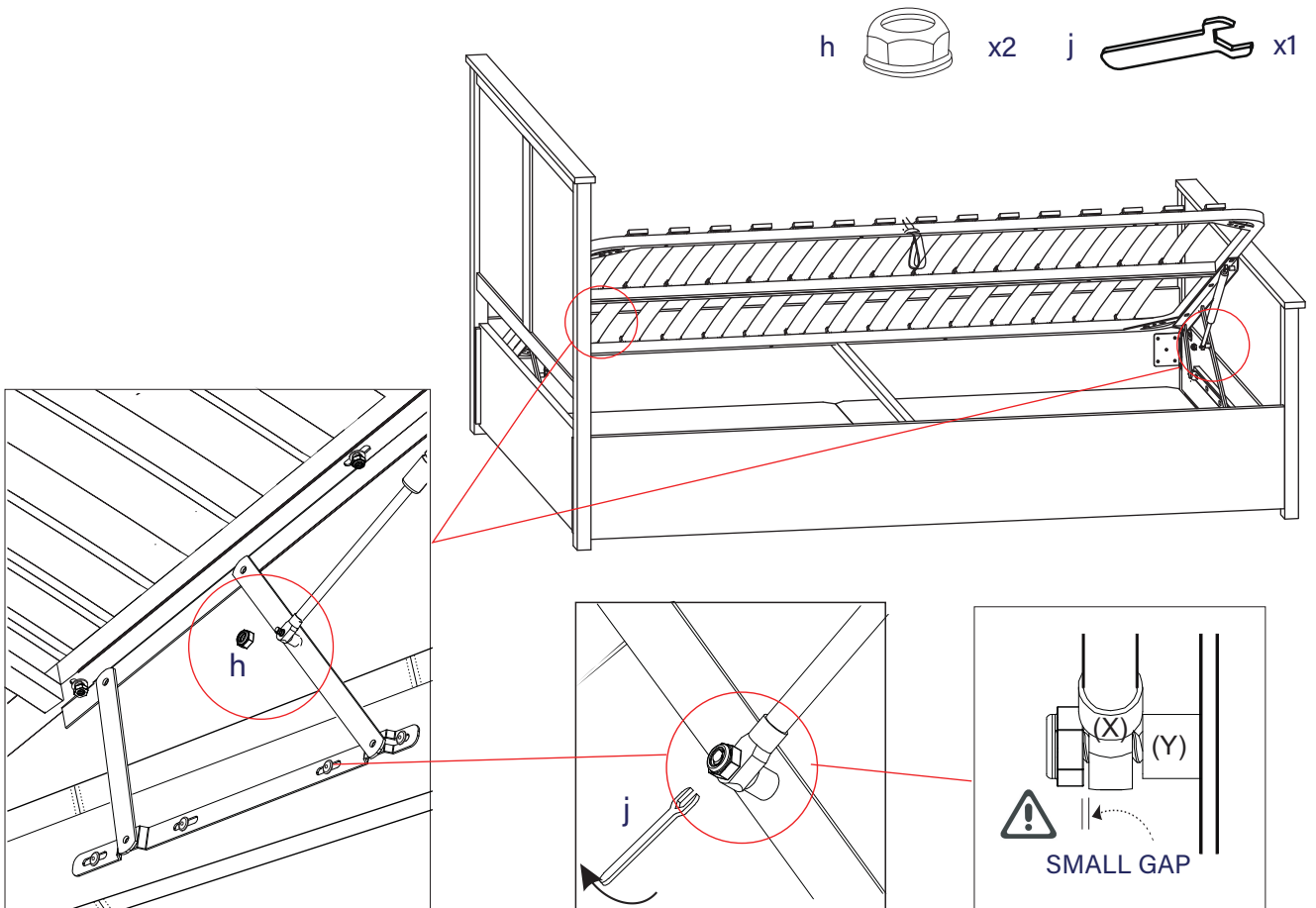
**7 Lift up the support bars and fit the slat-frame positioning the frame so that the gap around the edges is equal, then then tighten all nuts & bolts 100%**





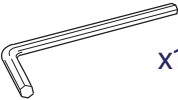
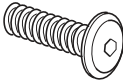
**8** Fit the mattress stoppers to the slat-frame.

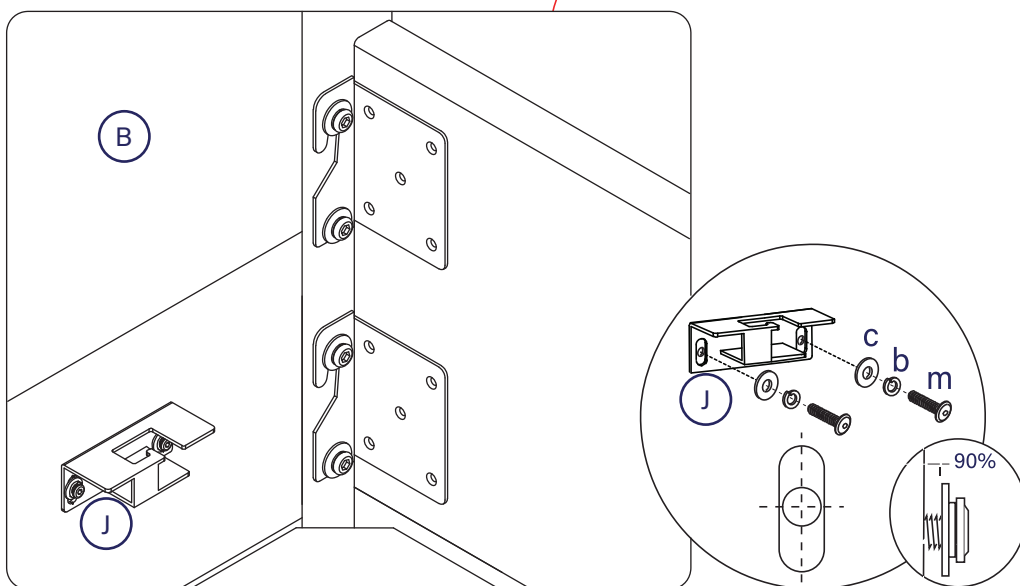
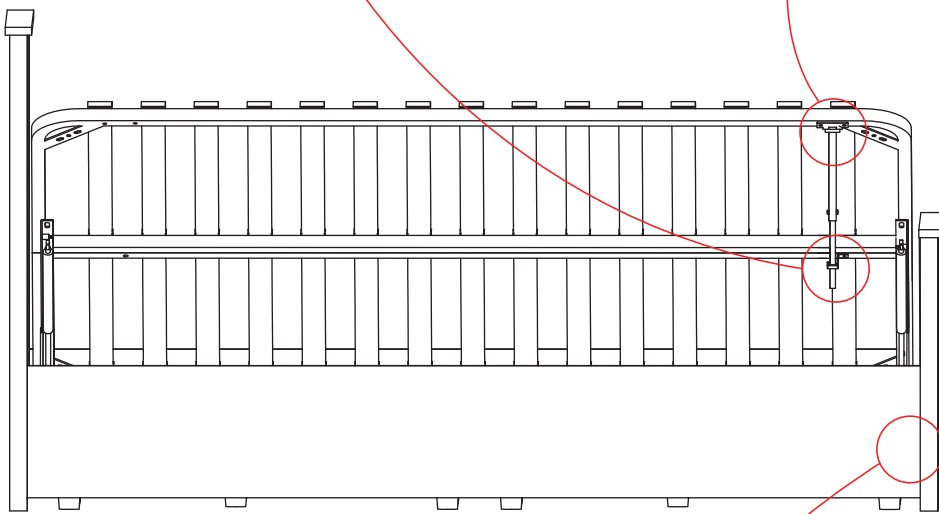
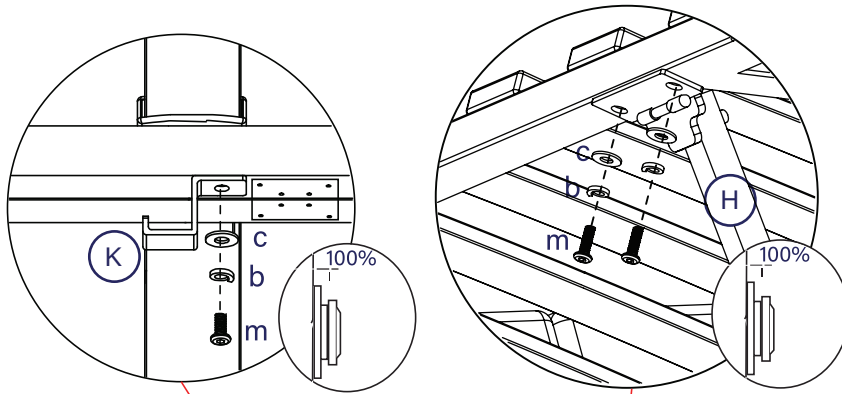


**9** Fit the gas-lift pistons to the mechanisms.

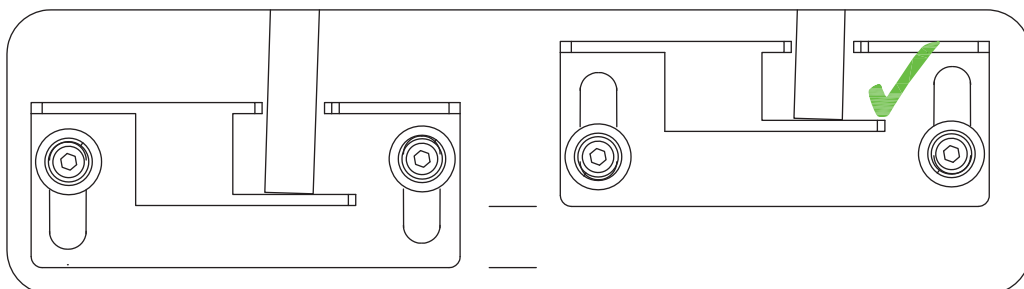
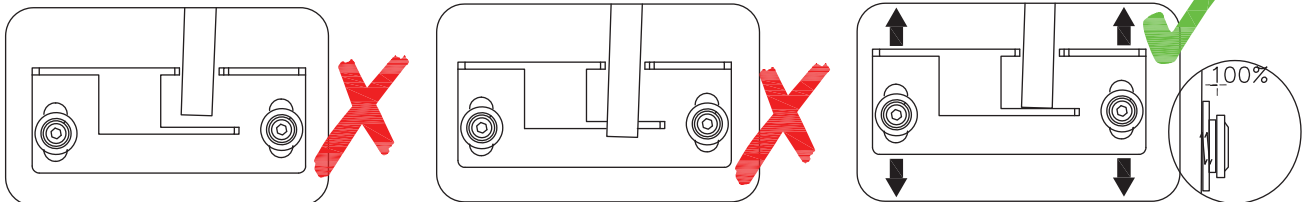
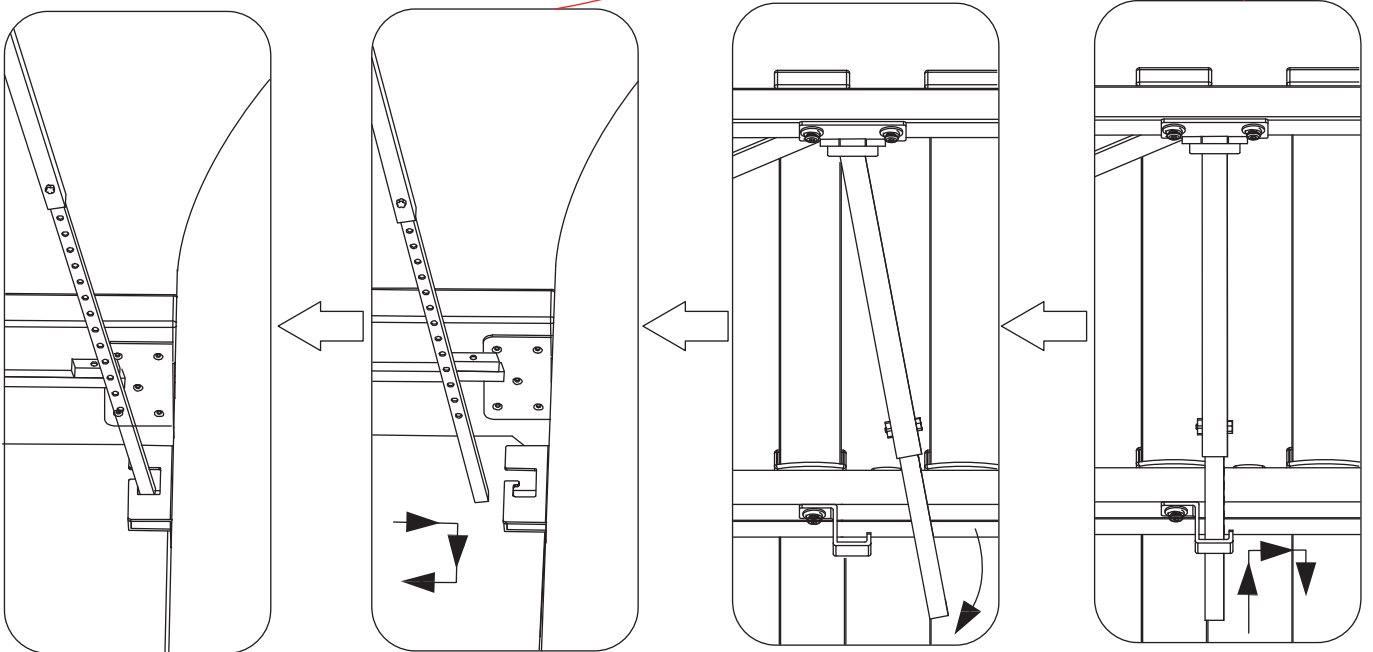
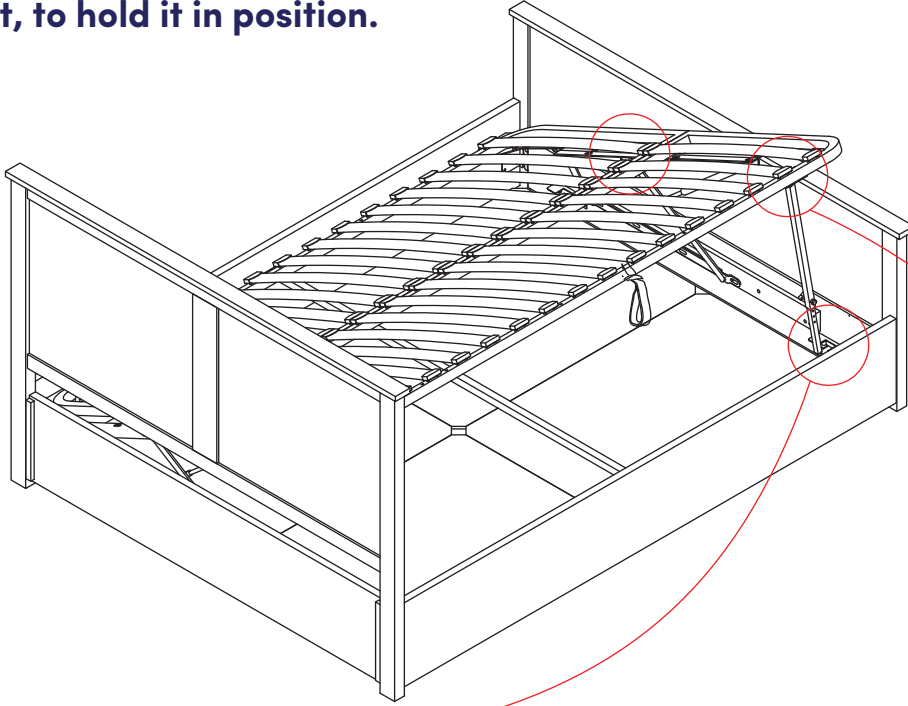


**10** **Unpack the contents of the Ottoman Support Bar (O.S.B.) from it's carton - this is packed inside Pack 2.**

- b  x5
- c  x5
- d  x1
- m  x5



- 11** Set the inner stem of the support bar (H), adjust the stem to the correct length so that the end just scrapes the surface of the bracket, to hold it in position.



# Care and maintenance

Here are some tips to keep your new bed in tip-top condition



## Cleaning

To clean your new bed, we'd advise using a warm damp cloth or if fabric, remove dust using a low suction vacuum cleaner - please do not use abrasive chemicals or bleach as this may damage the product.



## Checking and moving

Periodically we recommend you check that the screws or fixtures haven't become loose, over time. To move your new bed, we recommend lifting it where possible, as dragging or pushing it could cause damage to your flooring.



## Wood

Please note each of our wooden pieces are unique, meaning that markings and shade can vary slightly between beds. Over a period of time, the wood might lighten or fade slightly due to light exposure.



## Fabric

Please note depending on the lighting, positioning and surroundings of your room, the shade of the colour can sometimes appear slightly different. Over a period of time the colour might lighten or fade slightly due to light exposure.



## Metal

Metal tends to be more resilient to everyday wear and tear. We recommend to gently dust your metal furniture and keep it dry to maintain its look.

Thank you for shopping with us - we hope you have a great night's sleep

*Sleep well*



# Little dreamers

Keep the little ones entertained while you assemble your new purchase.

