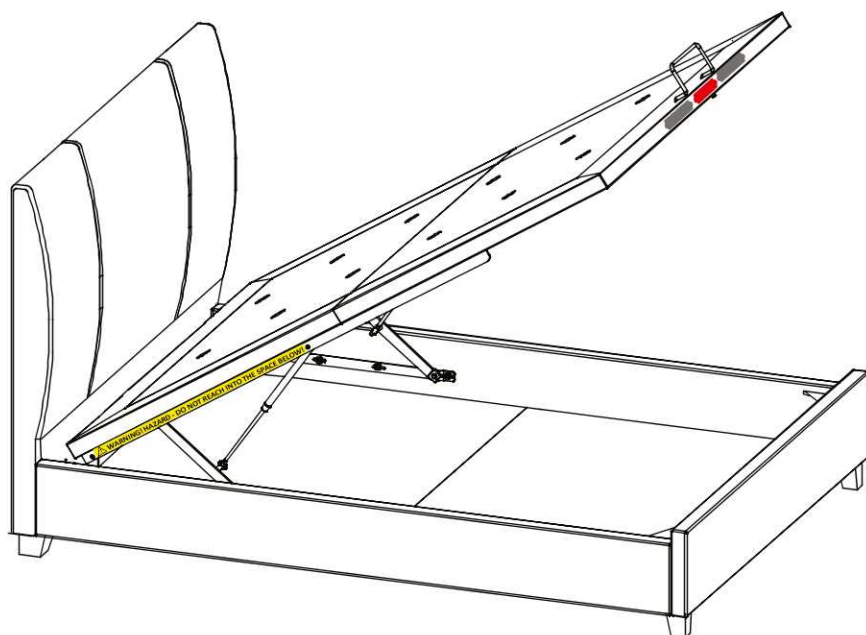


# Francis Storage Bed

Single  
Small Double  
Double  
King  
Super King



**Important - read this guide carefully and retain for future reference.**

## Ottoman Safety Warnings

- You must ensure that the mattress is on the bed frame before operating the lift mechanism – Failure to do so could result in injury.
- Keep hands clear of the mechanism when opening or closing the ottoman.
- Beware of entrapment – Never reach in through the mechanism to access the storage area.
- Always ensure that the ottoman is FULLY opened before accessing the storage area.
- Do not exceed the maximum weight as specified in the table below:

Bed	Bed Size	Min Weight (kg)	Max Weight (kg)
Francis (manual)	Single	10	25
	Small Double	10	35
	Double	10	40
	King	15	45
	Super King	20	50



1.5 hour approx  
assembly time



Two person  
assembly

**Dreams**

# Thank you

Hello, thanks for choosing to purchase your bed from Dreams - you're now on your way to your best ever night's sleep. Before you begin building your bed, please take a moment to read through the instructions and make sure that you've got all the relevant parts listed on the following pages.



## Assembly tips

Before you begin, it's best to identify all parts and fittings to build your bed. We advise laying these out on the floor to check you have everything, and familiarising yourself before building.



## Top tip

We recommend that you build your new bed in the room you'd like it to be located - this will help prevent any risk of damage to your newly built bed whilst moving it.



## Safety and care

It's really important to ensure children and animals are kept away from the assembly area, as there are small components used in this bed which could present a choking hazard. All plastic and wrapping materials should also be kept away from children and animals to prevent any risk of suffocation. To keep your little ones busy, there is a colouring page inside the back cover.



## Help and support

At Dreams, it's our mission to give the whole nation a great night's sleep - this means that the quality of our products is of utmost importance to us. If there are any issues with your product or any missing parts, please contact our Help Centre on 0800 652 6750, where a member of our team will be happy to help. (For customers based in Northern Ireland, please call 028 9050 8300)



## Recycling

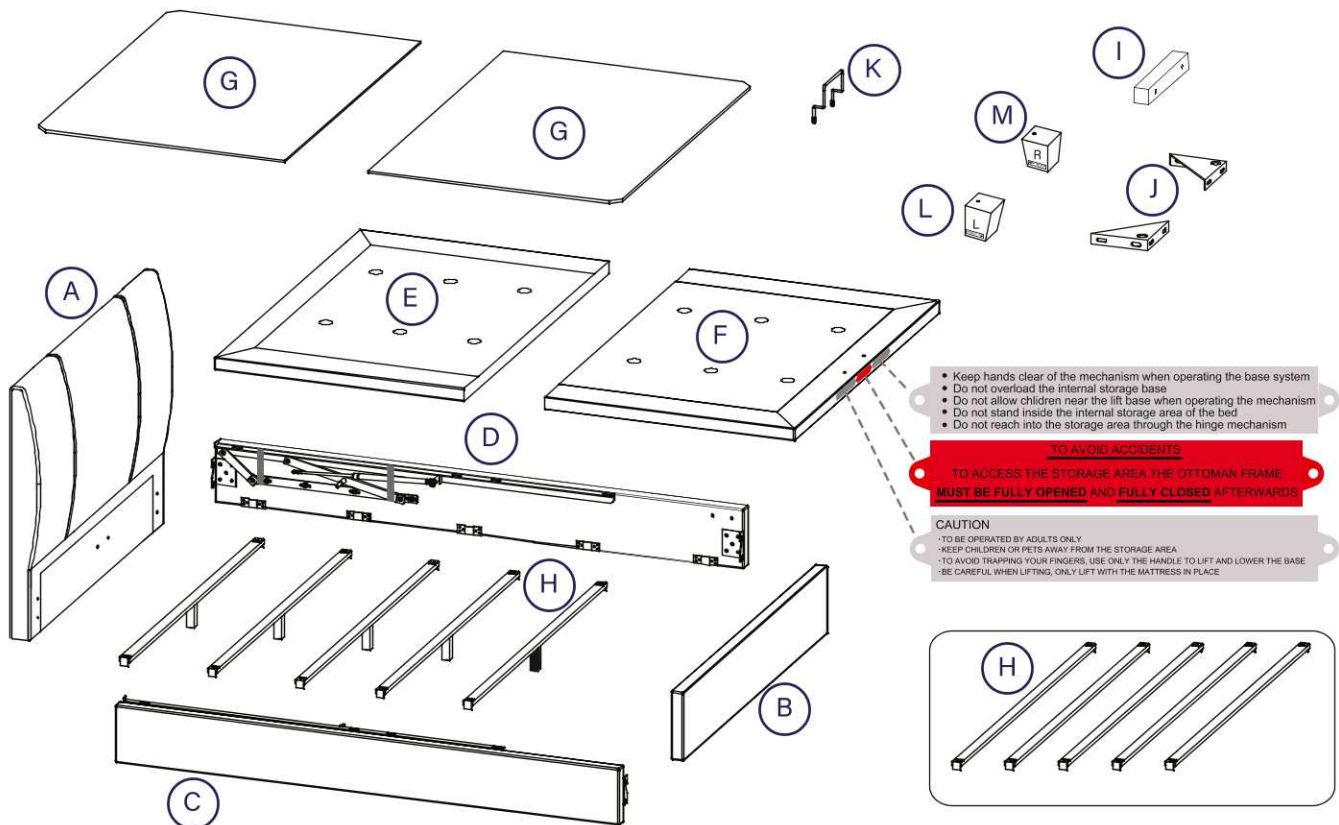
Please ensure that packaging is disposed of in a safe and environmentally friendly way, and recycle where possible. Our assembly instructions are printed on recycled paper. Please keep your assembly instructions safe to refer back to in the future.

# Parts

## Important information

The bed you have purchased comes with an Ottoman lift up base, please follow the instructions in the current order.

To prevent accidents carefully read the ottoman safety warnings for this bed, on the first page of this guide.



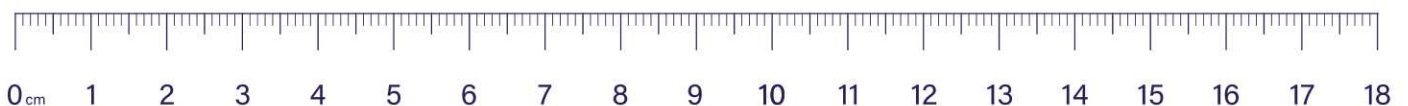
## Parts list

A.	Headboard	1	H.	Base Board Support Rails (Wood)	5
B.	Footboard	1	I.	Mattress Base Support Rails	2
C.	Side rail - Left	1	J.	Angle Corner Brackets	2
D.	Side rail - Right	1	K.	Mattress Base Lifting Handle	1
E.	Mattress Base Board - Headend	1	L.	Feet - Left	2
F.	Mattress Base Board - Footend	1	M.	Feet - Right	2
G.	Storage Base Boards	2			

\*In single size bed, the five base board support rails (H) are supplied without any central legs.

## Tools required






No more tools needed.











# Fittings

Please check you have all the parts listed below with your product:

## Hardware needed for fixing side rails to headboard & footboard packed in side rail pack 3 - hardware pack (A)

<p>a x16</p>  <p>Bolts (M8x30mm) for fitting side rails (C&amp;D) to headboard &amp; footboard (A&amp;B)</p>	<p>b x16</p>  <p>Spring washers for M8 bolts</p>	<p>c x24</p>  <p>Flat washers for M8 bolts</p>	<p>d x1</p>  <p>Allen Key for M8 bolts</p>	<p>h x8</p>  <p>Bolts (M8x60mm) for fitting feet (L&amp;M) and mattress base support rail (I)</p>
---	---	---	--	--

## Hardware needed for fitting mattress base boards, packed in side rail pack 3 - hardware pack (B)

<p>a x16</p>  <p>Bolts (M8x30mm) for fitting gas-lift mechanism and metal connecting plates (j) to mattress base boards (E&amp;F).</p>	<p>b x8</p>  <p>Spring washers for M8 bolts</p>	<p>c x16</p>  <p>Flat washers for M8 bolts</p>	<p>e x2</p>  <p>Metal plates for connecting mattress base boards (E&amp;F)</p>	<p>f x1</p>  <p>Spanner for M8 nuts</p>
<p>g x2</p>  <p>Flanged M8 lock-nuts for gas-lift pistons</p>	<p>i x2</p>  <p>Domed M8 nuts (black) for fitting mattress base lifting handle (K) to mattress base board (F)</p>	<p>j x4</p>  <p>Flat washers (black) for nuts (i)</p>	<p>Please Note: Domed nuts 'i' &amp; flat washers 'j' are pre-fitted to lifting handle (K)</p>	

# Bed assembly- use pack 'A'

**1**

c x4      d x1      h x4

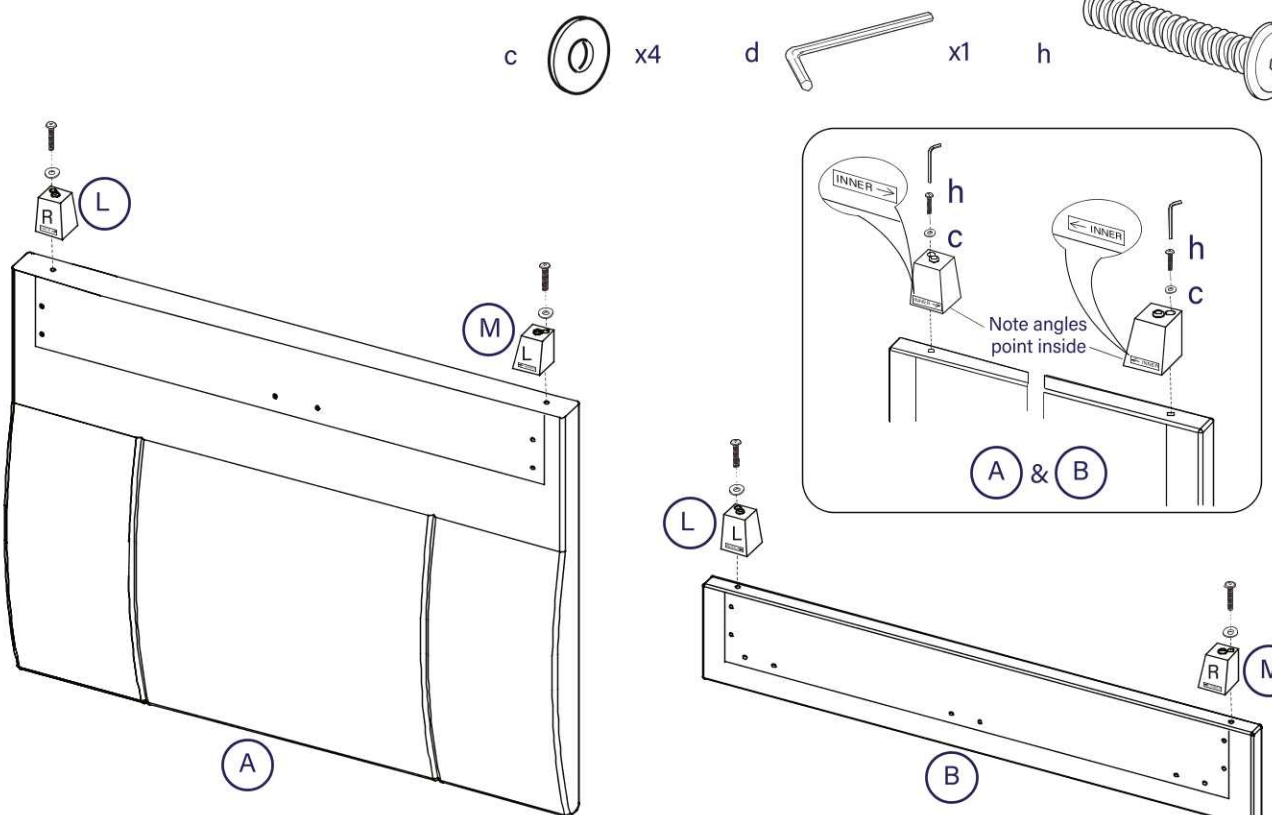




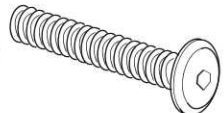
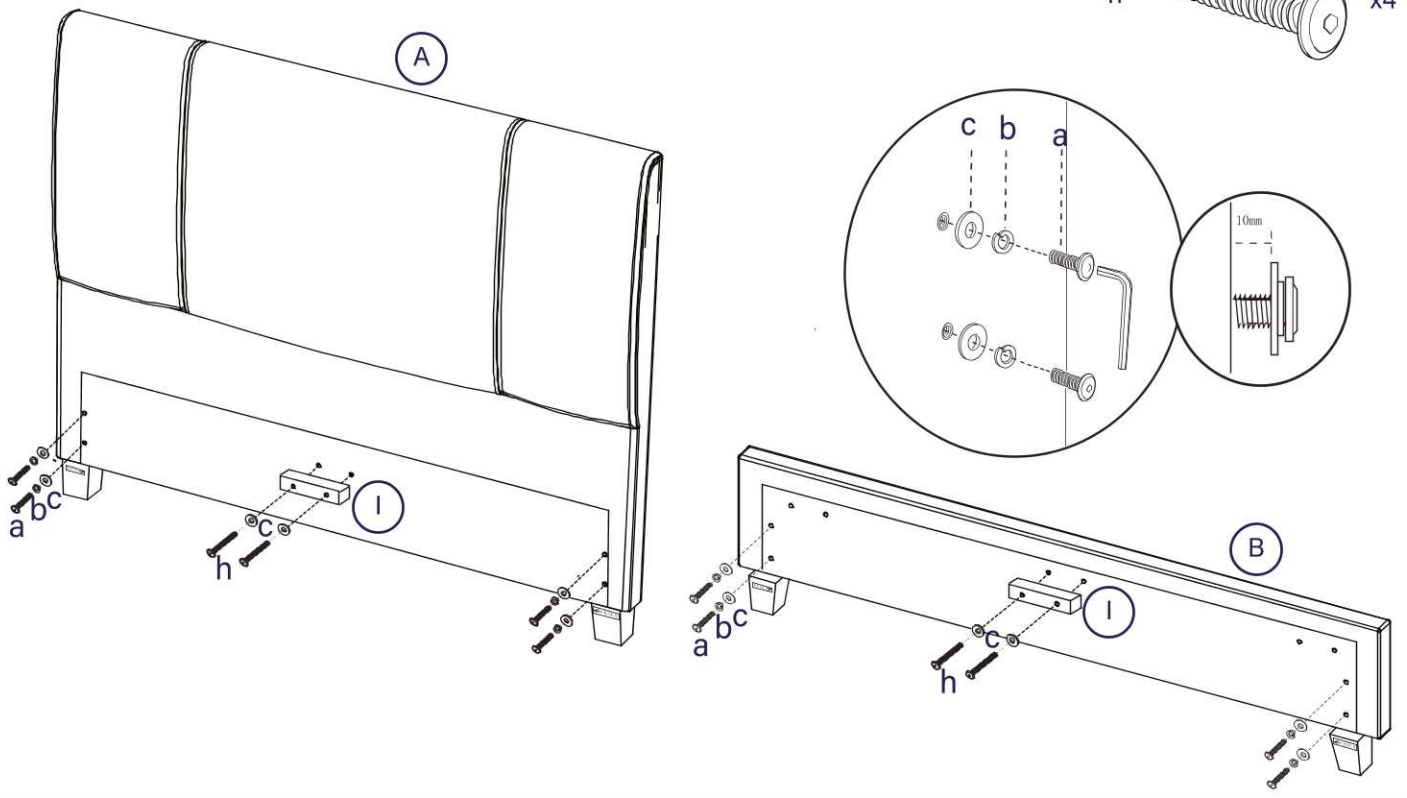


Diagram illustrating the assembly of the bed frame using pack 'A'. The diagram shows the headboard (A) and footboard (B) being attached to the side rails. The assembly involves using bolts (h), flat washers (c), and Allen keys (d). The diagram also shows the side rails (A & B) being inserted into the headboard and footboard, with a note indicating that the angles should point inside. The diagram includes labels for parts L, M, c, d, h, A, and B.

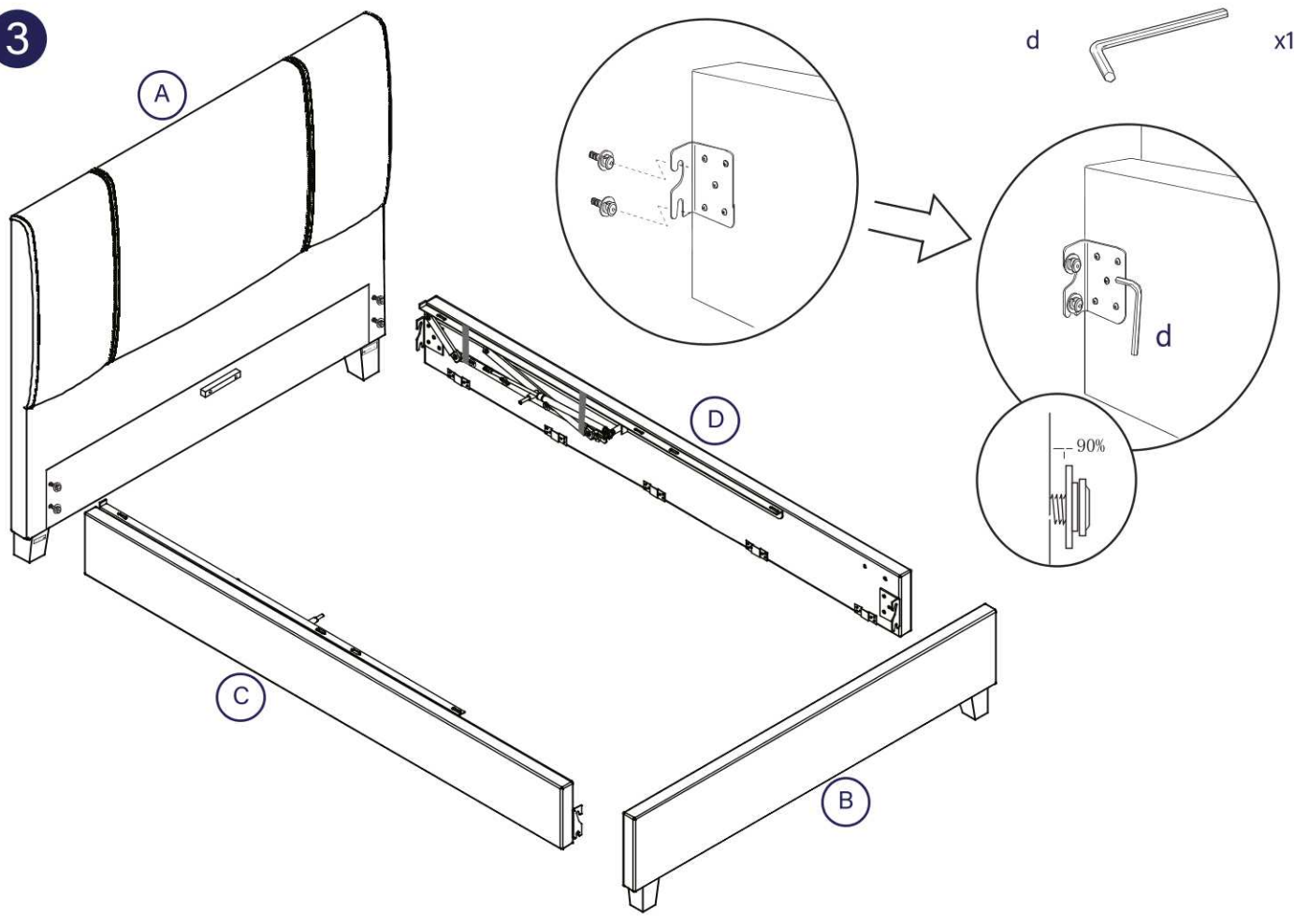
2

- a  x8
- b  x8
- c  x12
- d  x1
- h  x4

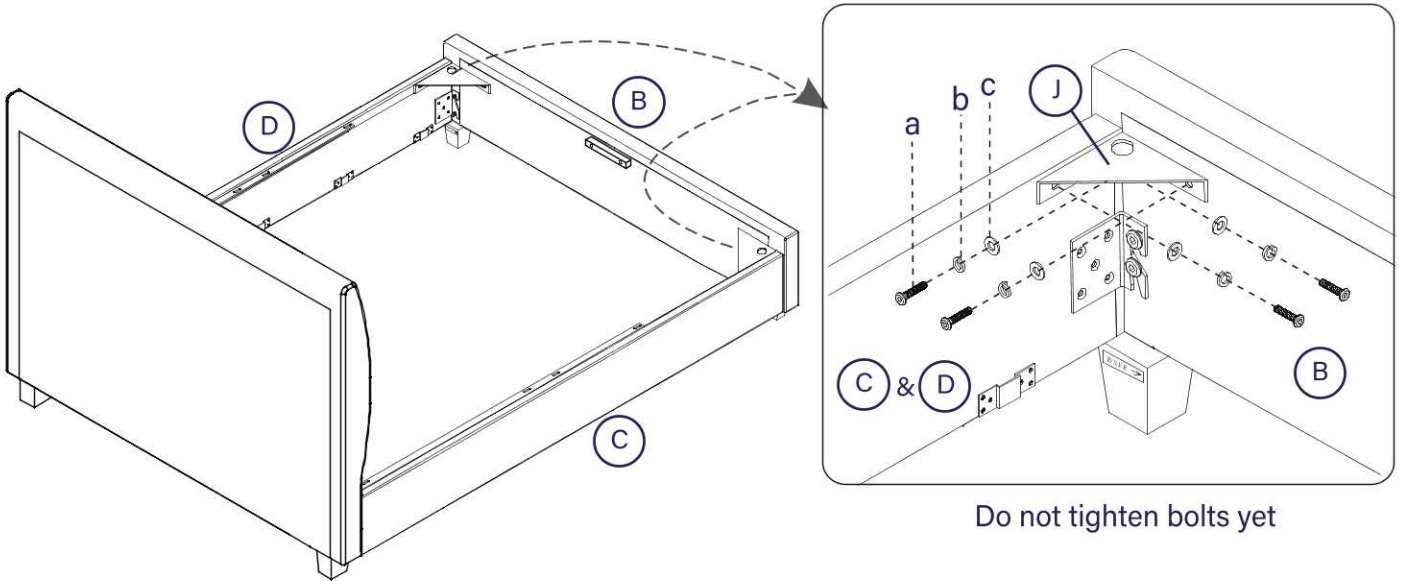
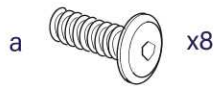


3

- d  x1

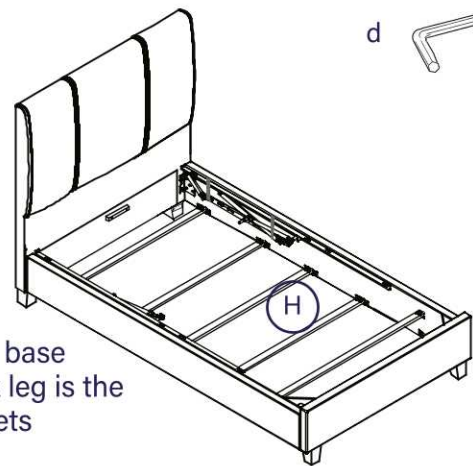


4

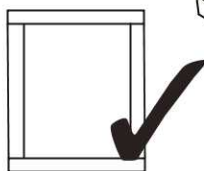
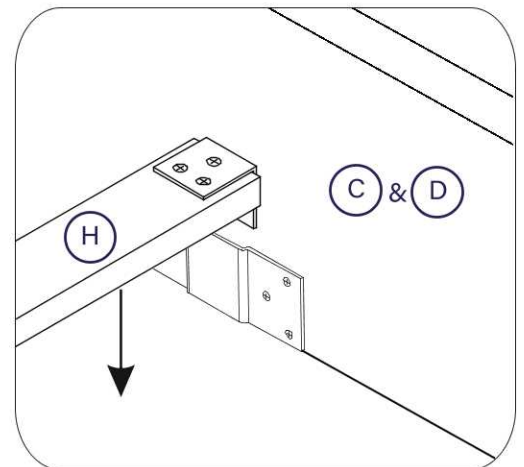
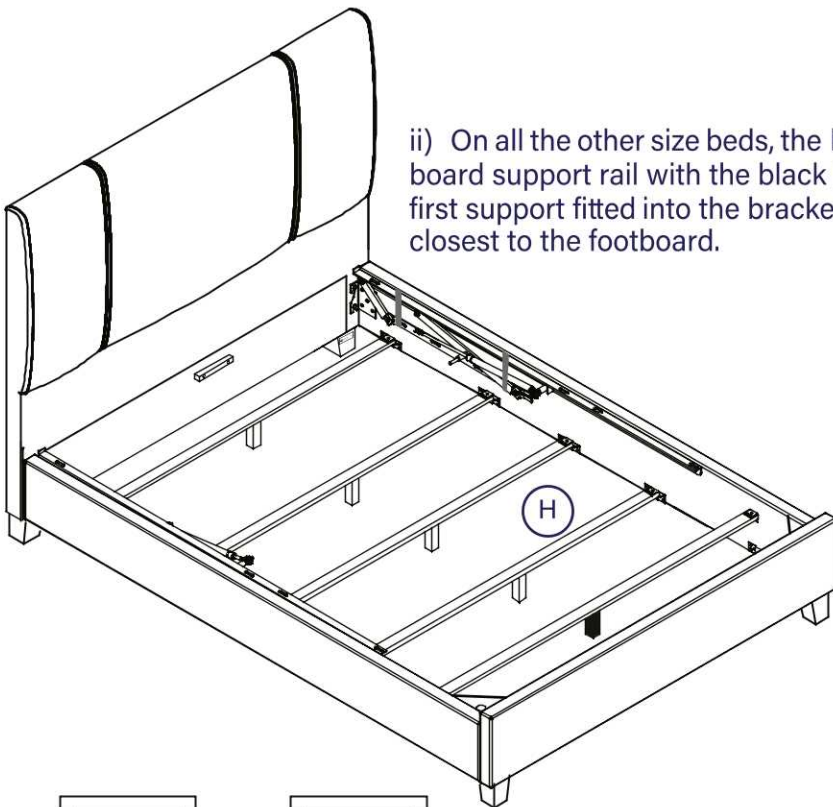


5

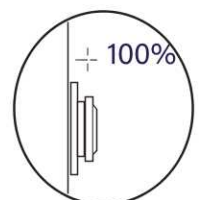
i) Please note: on the single size bed, there are no central legs fitted to the base board support rails (H).



ii) On all the other size beds, the base board support rail with the black leg is the first support fitted into the brackets closest to the footboard.

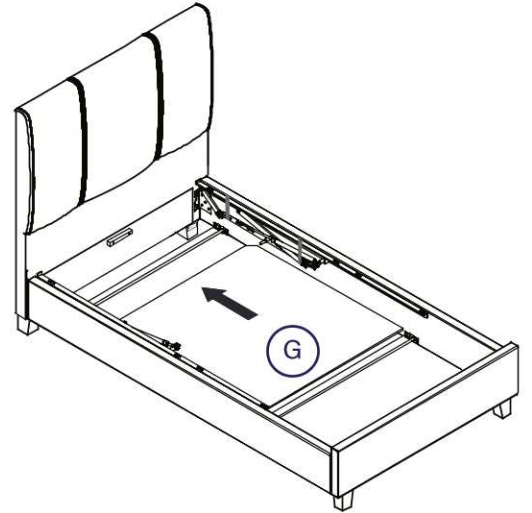
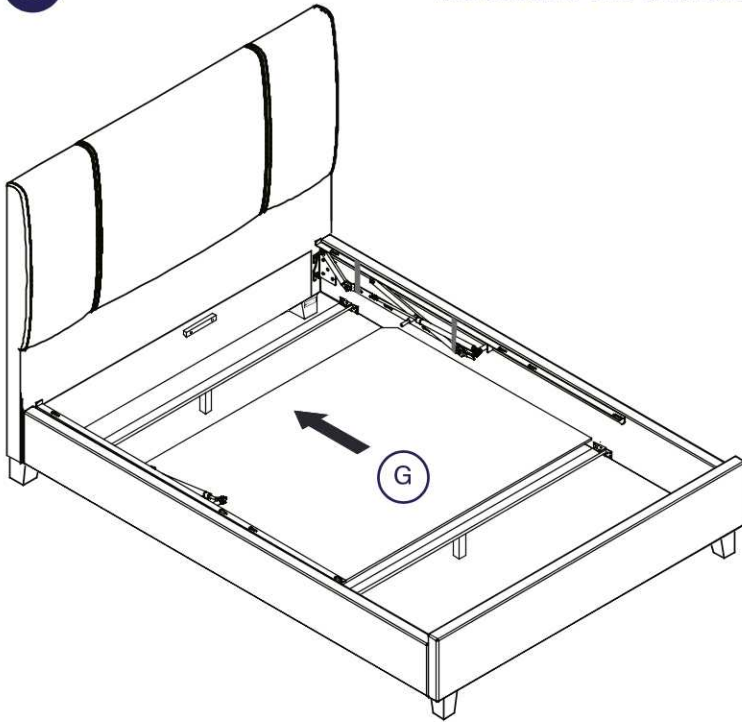


iii) After fitting the base board support rails, make certain the bed is squared up as shown in the diagram then tighten all bed assembly bolts 100%.



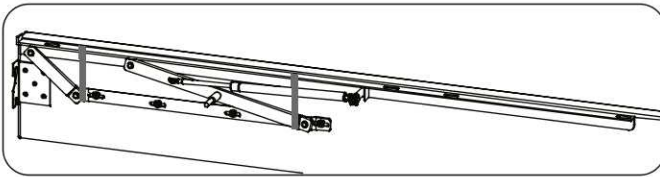
6

Carefully slide in the first storage base board (G) leaving the second one until Step 10.

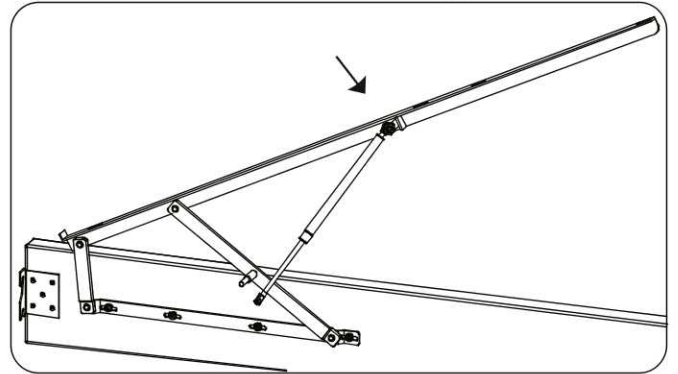


7

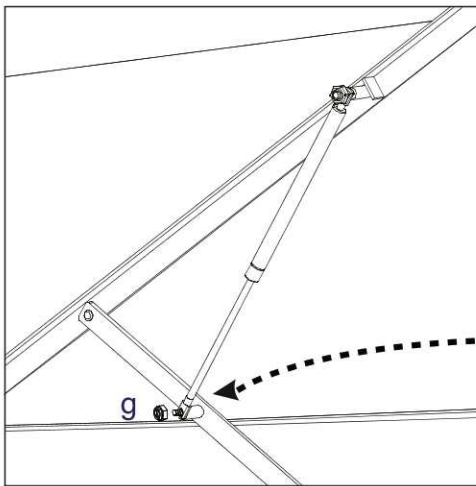
i) Untie the two mechanisms.



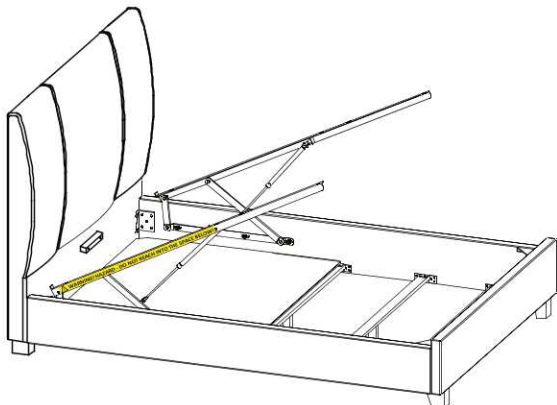
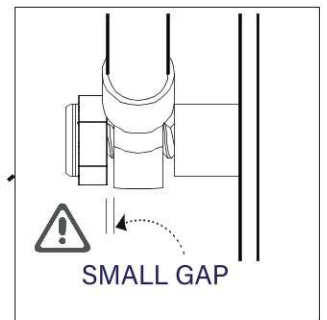
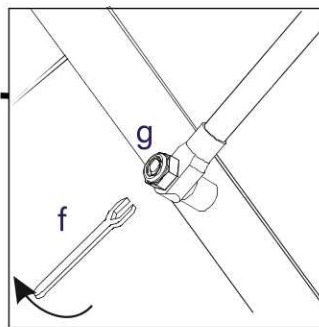
ii) Lift up mattress base board support bars.



iii) Connect the piston stems



f  x1      g  x2

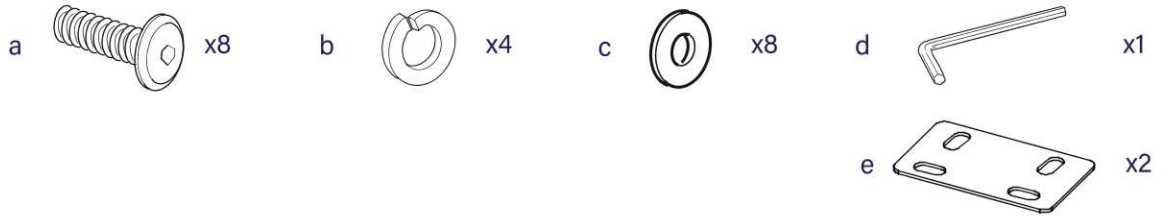


iv) Hold up each arm and slide piston stem onto the threaded axle and fit nut (g) using spanner (f).

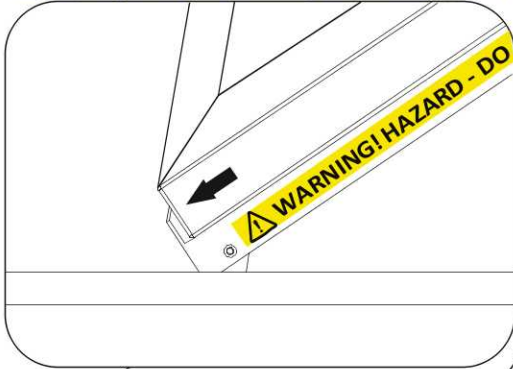
Note, do not over-tighten - a small gap needs to be left see sketch.

# Mattress Base Assembly - Use Pack 'B'

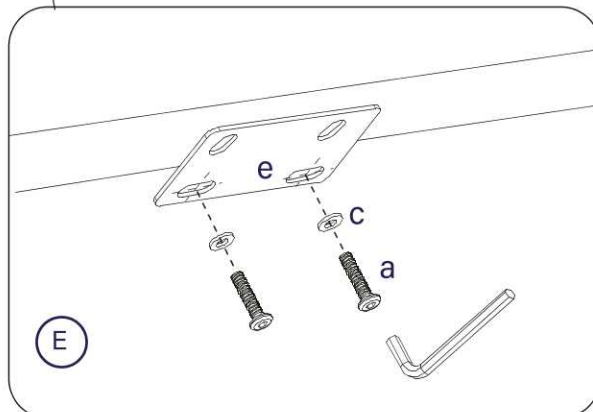
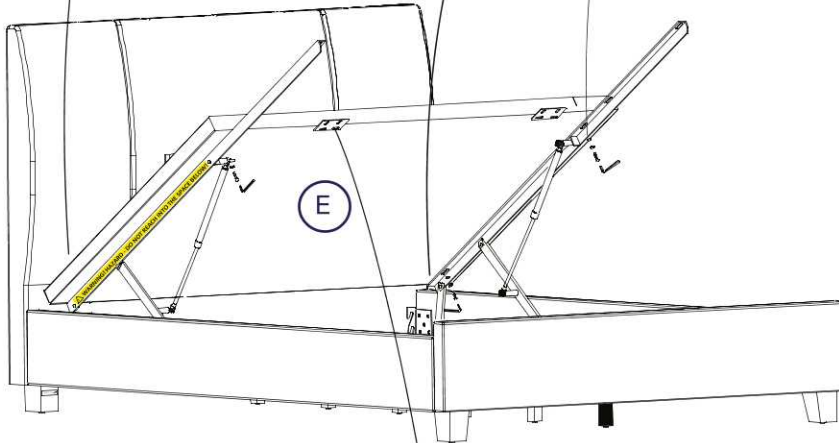
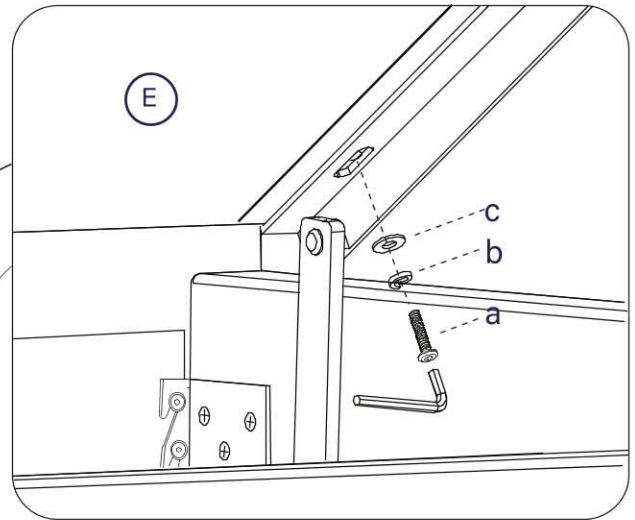
8



i) Slide headend mattress base board (E) up against the lifting arm stop plates.



ii) Carefully screw x4 bolt sets into the base board as shown - do not tighten 100% yet.



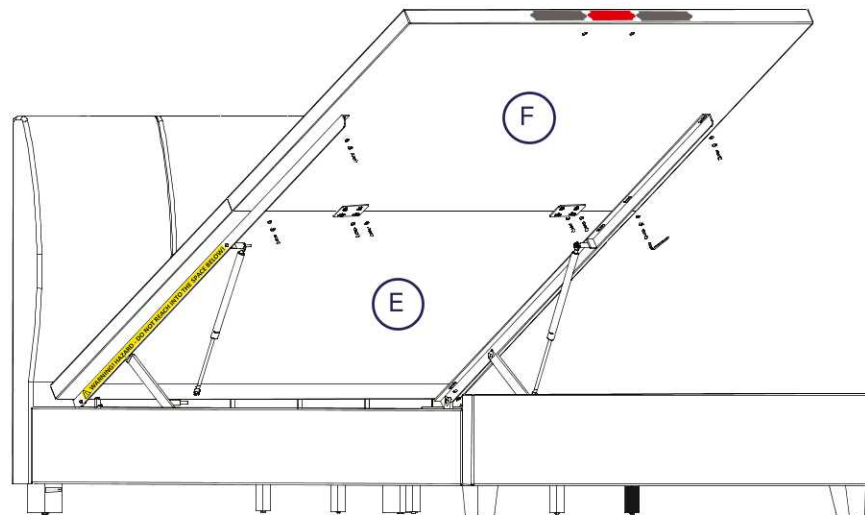
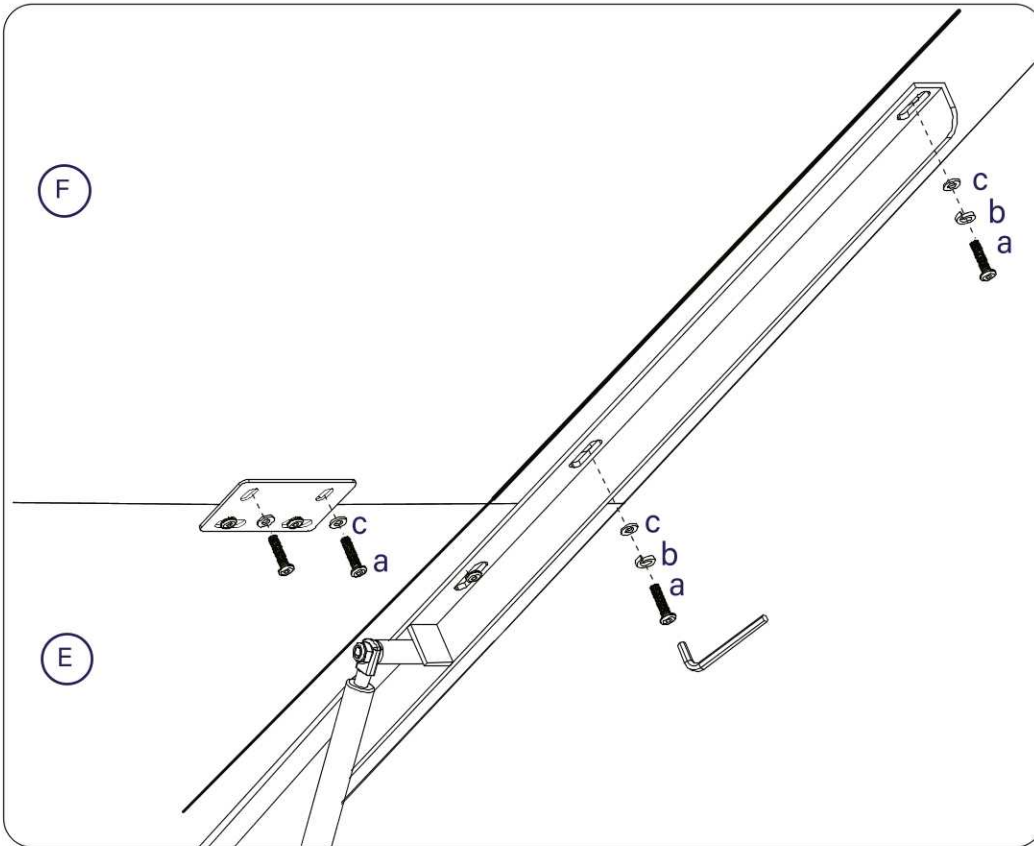
iii) Fit both connection plates (e) to headboard mattress base board (E) as shown, (before fitting second mattress base F).



9

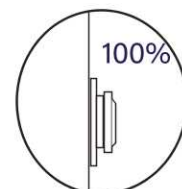


i) Slide the footend mattress base board (F) into position.

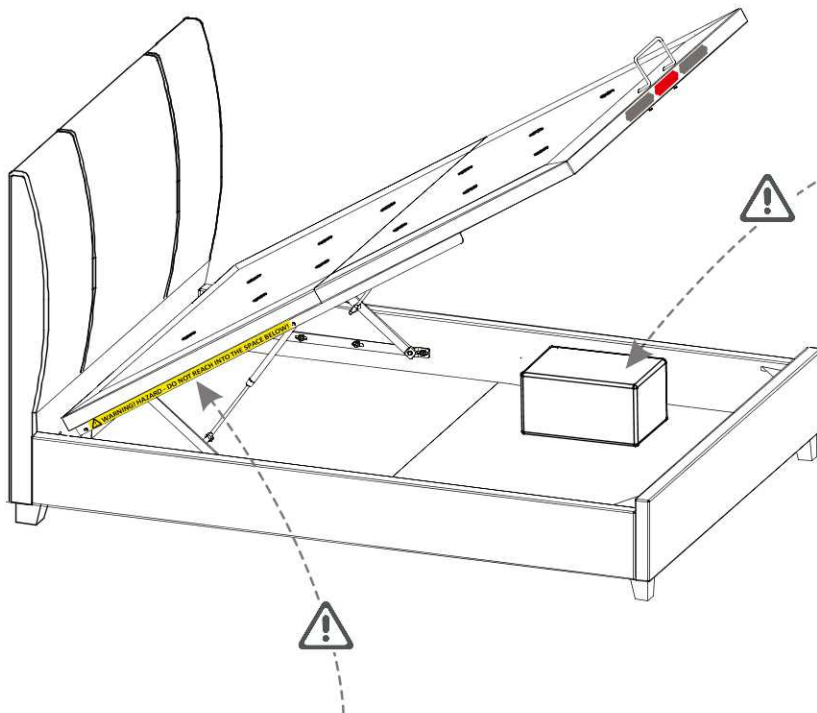
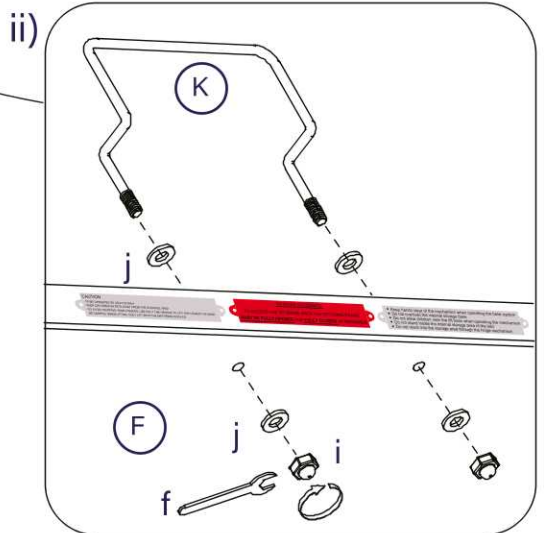
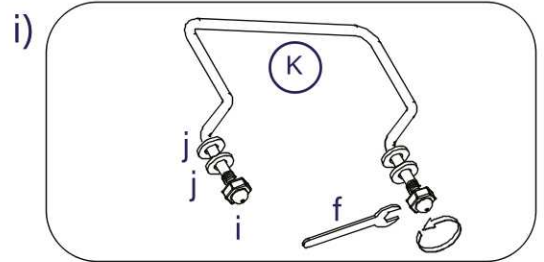
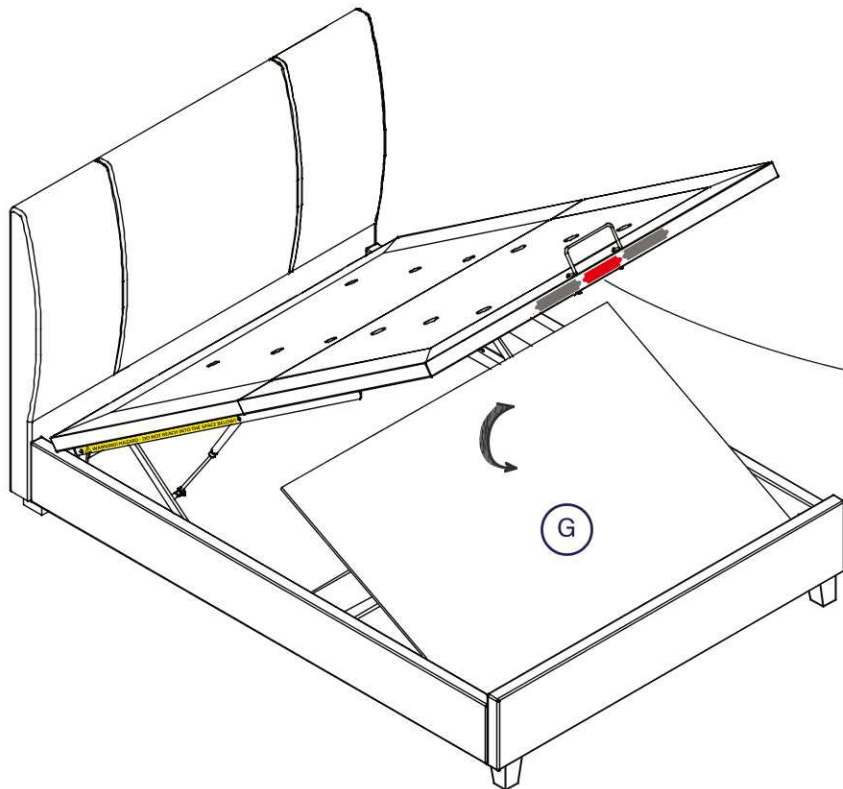
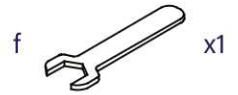


ii) Loosely connect plates (c) to (F) then screw other x4 bolt sets through the supports into the base board.

When all x16 bolt sets are in place, tighten all 100%.



10



Note: Be very careful what you store under the bed - the top of an item, like a suitcase or a box, must not touch the underside of the mattress base or it may get damaged.  
Maximum item height is 225mm.

**! WARNING! HAZARD - DO NOT REACH INTO THE SPACE BELOW!**

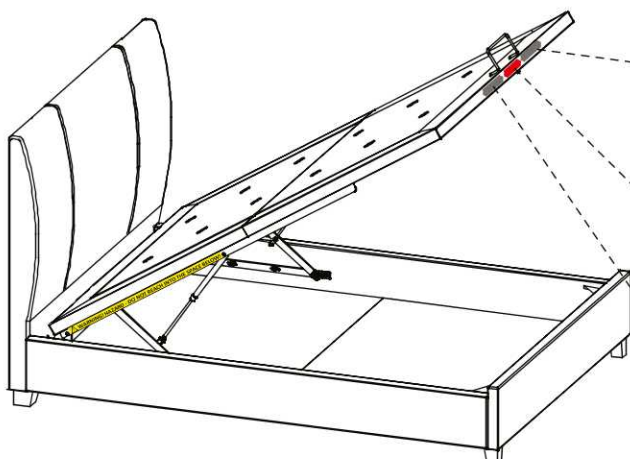
# Warning

- You must ensure that the mattress is on the bed frame before operating the lift mechanism – Failure to do so could result in injury.
- Keep hands clear of the mechanism when opening or closing the ottoman.
- Beware of entrapment – Never reach in through the mechanism to access the storage area.
- Always ensure that the ottoman is FULLY opened before accessing the storage area.
- Do not exceed the maximum weight as specified in the table below:

Bed	Bed Size	Min Weight (kg)	Max Weight (kg)
Francis (manual)	Single	10	25
	Small Double	10	35
	Double	10	40
	King	15	45
	Super King	20	50



- Use caution when operating, always use the handle when lifting.
- Note: This bed uses a pressurised mechanism.
- To be operated by adults only
- Please ensure that children and pets are kept away from the bed when operating the lift mechanism.
- Keep children and pets away from the storage area.
- Do not overload the internal storage base.
- Do not stand inside the internal storage area of the bed.
- Before removing the mattress secure the frame to ensure it does not open unexpectedly.
- Do not attempt to lie on the mattress when the ottoman is in the raised position.
- When lifting the ottoman remove all bedding except the fitted sheet.



- Keep hands clear of the mechanism when operating the base system
- Do not overload the internal storage base
- Do not allow children near the lift base when operating the mechanism
- Do not stand inside the internal storage area of the bed
- Do not reach into the storage area through the hinge mechanism

## TO AVOID ACCIDENTS

TO ACCESS THE STORAGE AREA THE OTTOMAN FRAME MUST BE FULLY OPENED AND FULLY CLOSED AFTERWARDS

## CAUTION

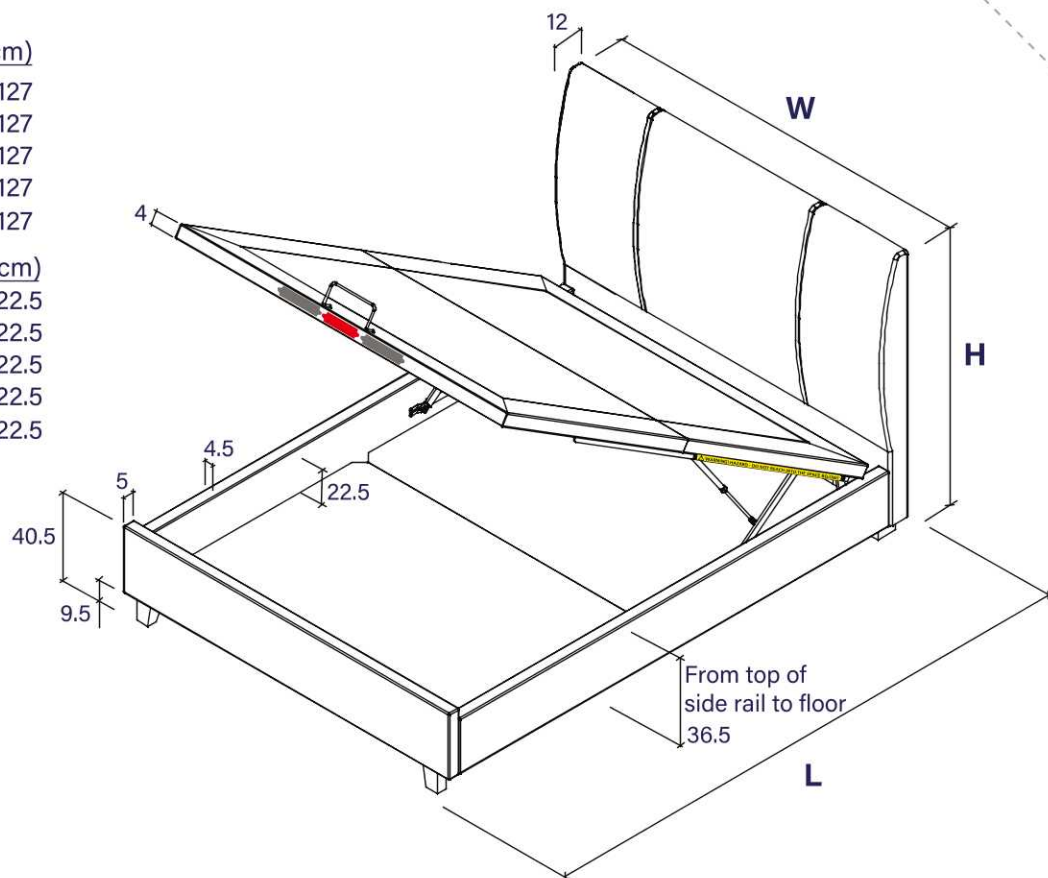
- TO BE OPERATED BY ADULTS ONLY
- KEEP CHILDREN OR PETS AWAY FROM THE STORAGE AREA
- TO AVOID TRAPPING YOUR FINGERS, USE ONLY THE HANDLE TO LIFT AND LOWER THE BASE
- BE CAREFUL WHEN LIFTING, ONLY LIFT WITH THE MATTRESS IN PLACE

### Overall Dimensions (LWH cm)

Single:	210 x 94 x 127
Small Double:	210 x 124 x 127
Double:	210 x 139 x 127
King:	220 x 154 x 127
Super King:	220 x 184 x 127

### Storage Dimensions (LWH cm)

Single:	194 x 83 x 22.5
Small Double:	194 x 113 x 22.5
Double:	194 x 128 x 22.5
King:	211 x 143 x 22.5
Super King:	211 x 173 x 22.5



## Care and maintenance

Here are some tips to keep your new bed in tip-top condition



### Cleaning

To clean your new bed, we'd advise using a warm damp cloth or if fabric, remove dust using a low suction vacuum cleaner - please do not use abrasive chemicals or bleach as this may damage the product.



### Checking and moving

Periodically we recommend you check that the screws or fixtures haven't become loose over time. To move your new bed, we recommend lifting it where possible, as dragging or pushing it could cause damage to your flooring.



### Wood

Please note each of our wooden pieces are unique, meaning that markings and shade can vary slightly between beds. Over a period of time, the wood might lighten or fade slightly due to light exposure.



### Fabric

Please note depending on the lighting, positioning and surroundings of your room, the shade of the colour can sometimes appear slightly different. Over a period of time the colour might lighten or fade slightly due to light exposure.



### Metal

Metal tends to be more resilient to everyday wear and tear. We recommend to gently dust your metal furniture and keep it dry to maintain its look.

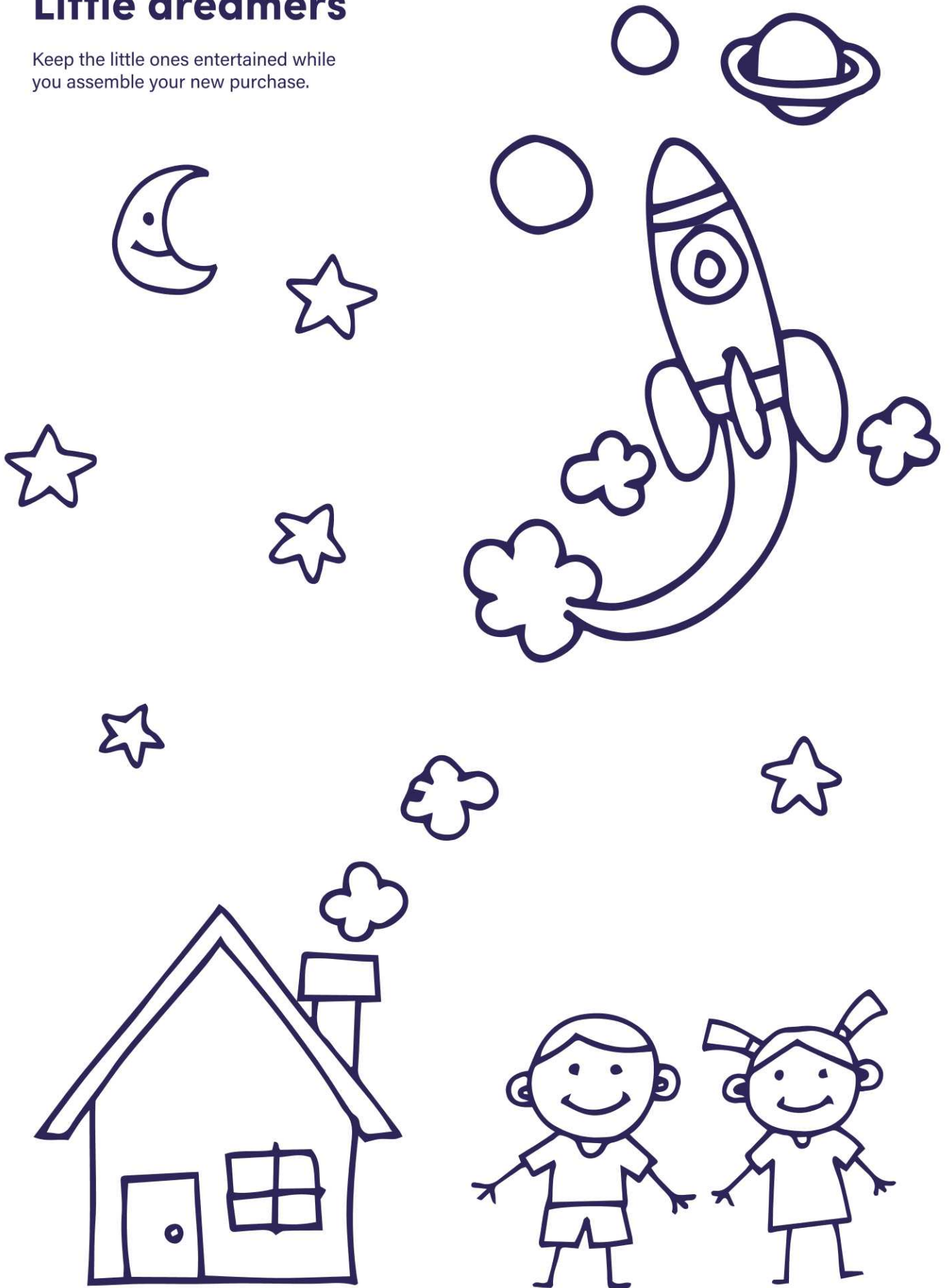
**Thank you for shopping with us - we hope you have a great night's sleep**

*Sleep well*



# Little dreamers

Keep the little ones entertained while you assemble your new purchase.



**Dreams**

