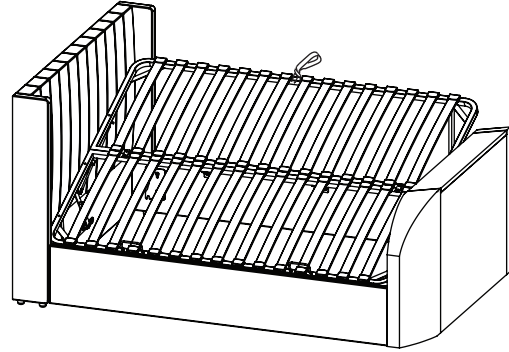
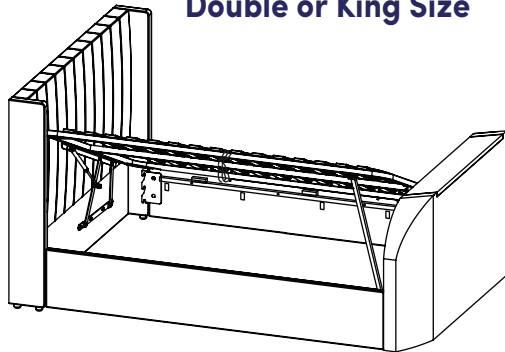


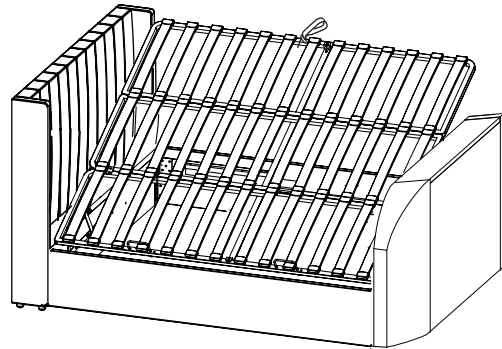
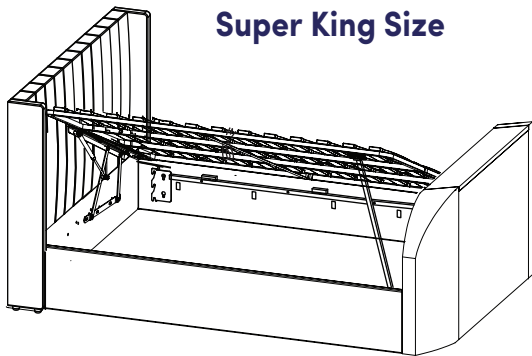
Foley TV Bed

OTTOMAN UPGRADE

Double or King Size



Super King Size



WHEN THE OTTOMAN UPGRADE IS SELECTED - PLEASE USE THIS AI -- IGNORE THE STANDARD BED AI IN PACK 3

IMPORTANT OTTOMAN SAFETY WARNINGS

- **IMPORTANT - READ CAREFULLY - RETAIN FOR FUTURE REFERENCE** You
- **must ensure that the mattress is on the bed frame before operating the lift mechanism - Failure to do so could result in injury.**
- **Keep hands clear of the mechanism when opening or closing the ottoman.**
- **Beware of entrapment - Never reach in through the mechanism to access the storage area.**
- **Always ensure that the ottoman is FULLY opened before accessing the storage area.**
- **Do not exceed the maximum weight as specified in the table below:**

Bed	Bed Size	Min Weight (kg)	Max Weight (kg)
Foley TV Bed	Double	20	50
	King	20	50
	Super King	20	50



1.5 hour approx
assembly time

MK1 230916



Two person
assembly

Dreams

IMPORTANT OTTOMAN SAFETY WARNINGS Cont.



- Use caution when operating, always use the handle when lifting.
- Note: This bed uses a pressurised mechanism.
- To be operated by adults only.
- Please ensure that children and pets are kept away from the bed when operating the lift mechanism.
- Keep children and pets away from the storage area.
- Do not overload the internal storage base.
- Do not stand inside the internal storage area of the bed.
- Before removing the mattress secure the frame to ensure it does not open unexpectedly.
- Do not attempt to lie on the mattress when the ottoman is in the raised position.
- When lifting the ottoman, remove all bedding except the fitted sheet.

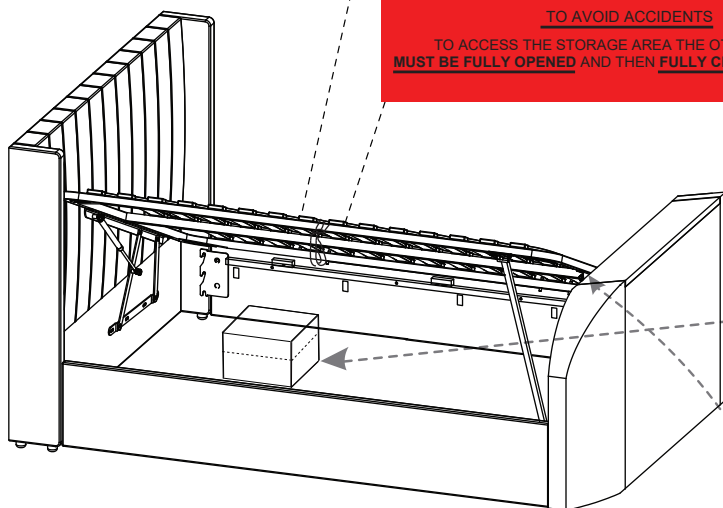
CAUTION

- TO BE OPERATED BY ADULTS ONLY
- KEEP CHILDREN OR PETS AWAY FROM THE STORAGE AREA
- TO AVOID TRAPPING YOUR FINGERS USE ONLY THE HANDLE TO LIFT AND LOWER THE BASE
- BE CAREFUL WHEN LIFTING ONLY LIFT WITH THE MATTRESS IN PLACE

TO AVOID ACCIDENTS

TO ACCESS THE STORAGE AREA THE OTTOMAN FRAME MUST BE FULLY OPENED AND THEN FULLY CLOSED AFTERWARDS

- Keep hands clear of the mechanism when operating the base system
- Do not overload the internal storage base
- Do not allow children near the lift base when operating the mechanism
- Do not stand inside the internal storage area of the bed
- Do not reach into the storage area through the hinge mechanism



Note: Be careful what you store under the bed - the top of an item, like a suitcase or a box, must not touch the slats or they may be damaged.
Maximum storage height is 310mm.

! WARNING! HAZARD - DO NOT REACH INTO THE SPACE BELOW!

Ottoman Beds - Important Safety Features

Our aim is always to give you the best experience and to ensure every effort has been made to guarantee your comfort and safety. Please take time to look at these instructions as they will help remind you how to operate your ottoman bed safely.

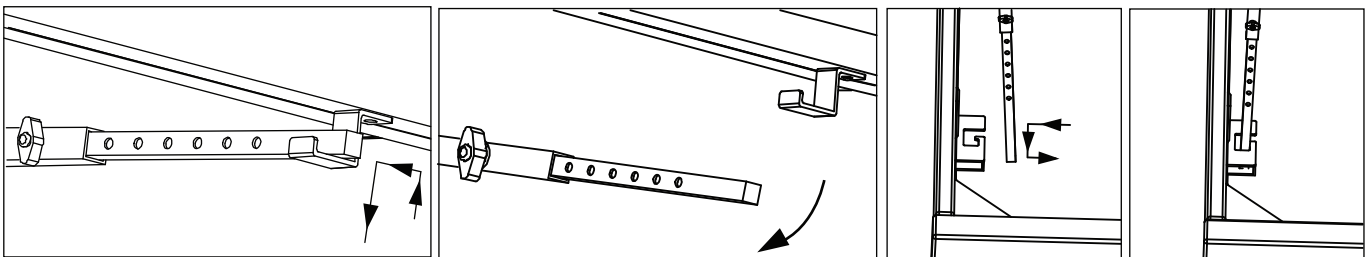
Here's a few things you need to remember;

- ✓ **Pistons are already assembled in their correct orientation - this improves piston performance and durability.**
- ✓ **"Break in " the piston seals on first use by raising & lowering the platform at least five times.**
- ✓ **Recommended mattress weights - do not exceed the maximum relevant weight specified on the Assembly Instruction.**
- ✓ **Ottoman support bar - always engage the support bar when accessing the ottoman storage area.**

Read all the instructions before using your Ottoman bed-frame and save the instruction booklet for future reference.

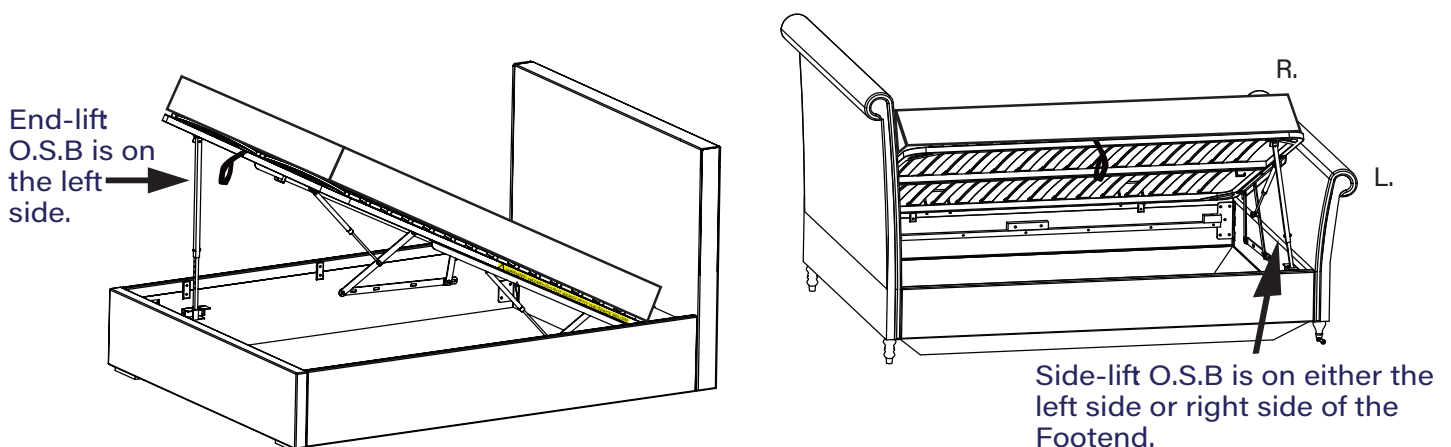
Ottoman Support Bar (O.S.B.)

For optimal safety during operation, always ensure the O.S.B. is engaged when accessing the ottoman storage area.



1. Always raise the ottoman slat-frame to it's highest position before using the storage area.
Locate the end of the O.S.B and insert into the fixed retaining bracket on the bed frame.
2. When you are ready to lower the ottoman platform, return the O.S.B to its original parking position.
3. Always ensure that the O.S.B is in position when the ottoman is open, this prevents injury, or damage to the product.

Location of the O.S.B



WARNING! Risk of Entrapment

- The pistons on the ottoman bed frame can support a maximum load (evenly spread) as indicated in the Minimum and Maximum load table, in the main Assembly Instruction.
- Overloading the sleeping platform may contribute to damage to the product resulting in potential serious injury.
- Do not sit on the mattress whilst the platform is in motion or is in the raised position.
- Users should only get in and out of bed when platform is in the flat (horizontal) position.

Thank you

Hello, thanks for choosing to purchase your bed from Dreams - you're now on your way to your best ever night's sleep. Before you begin building your bed, please take a moment to read through the instructions and make sure that you've got all the relevant parts listed on the following pages.



Assembly tips

Before you begin, it's best to identify all parts and fittings to build your bed. We advise laying these out on the floor to check you have everything, and familiarising yourself before building.



Top tip

We recommend that you build your new bed in the room you'd like it to be located - this will help prevent any risk of damage to your newly built bed whilst moving it.



Safety and care

It's really important to ensure children and animals are kept away from the assembly area, as there are small components used in this bed which could present a choking hazard. All plastic and wrapping materials should also be kept away from children and animals to prevent any risk of suffocation. To keep your little ones busy, there is a colouring page inside the back cover.



Help and support

At Dreams, it's our mission to give the whole nation a great night's sleep - this means that the quality of our products is of utmost importance to us. If there are any issues with your product or any missing parts, please contact our Help Centre on 0800 652 6750, where a member of our team will be happy to help. (For customers based in Northern Ireland, please call 028 9050 8300)



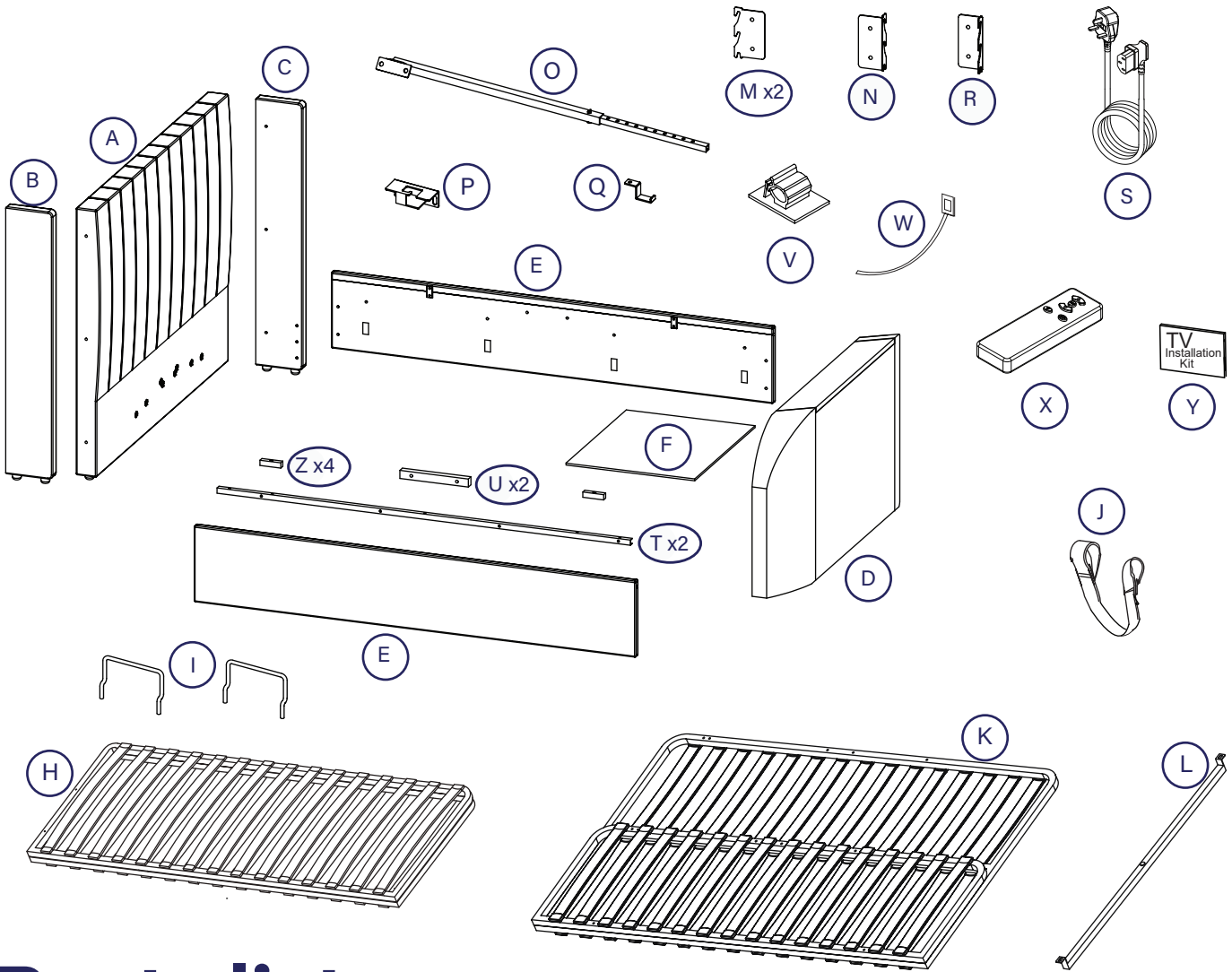
Recycling

Please ensure that packaging is disposed of in a safe and environmentally friendly way, and recycle where possible. Our assembly instructions are printed on recycled paper. Please keep your assembly instructions safe to refer back to in the future.

Parts

Important information

The bed you have purchased comes with a metal slat frame lifting from the side. You can configure this to open from left side or right side to make it convenient for the layout of the room it will be located in - please follow the instructions below in their current order.



Parts list

Code	Description	Qty	Box	Code	Description	Qty	Box
A.	Headboard	1	1				
B.	LH Wing	1	1				
C.	RH Wing	1	1				
D.	Footboard	1	2				
E.	Side Rails	2	3				
F.	Fabric base cover	1	4				
H.	Metal Slat Frame for Double or King Size	1	4				
I.	Mattress Stoppers	2	4				
J.	Fabric Hand Strap	1	3				
					Only for Super King Size		
				K.	Triple Metal Slat Frame	1	4
				L.	Cross Bar	1	4
					Ottoman support bar PACK (O.S.B.)		
				O.	Ottoman support bar	1	4
				P.	Fixed retaining bracket - footboard	1	4
				Q.	Parking bracket - mattress base board	1	4
				T.	Metal Slat Support Rails	2	3
				U.	Slat Frame Wooden Support Rails	2	4
				Z.	Cushion Blocks	4	4



PLEASE NOTE



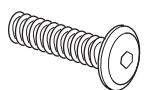


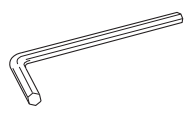
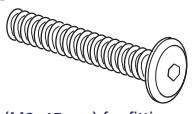
All these items are packed inside the accessory box, in footboard Pack (2).

Code	Description	Qty	Box	Code	Description	Qty	Box
M.	Flat Hook Bracket - Headend	2	2	V.	Cable Clip	8	2
N.	Angled Hook Bracket - Footend LH	1	2	W.	Cable Tie	5	2
R.	Angled Hook Bracket - Footend RH	1	2	X.	TV Lift Remote Control	1	2
S.	Mains Power Lead - 3.5 mt	1	2	Y.	TV Installation Kit	1	2




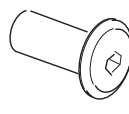

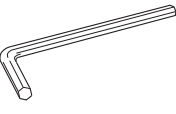
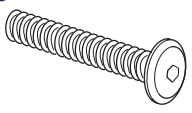


Fittings

Please check you have all the parts listed below with your product:

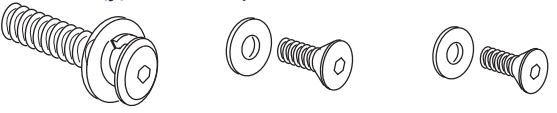
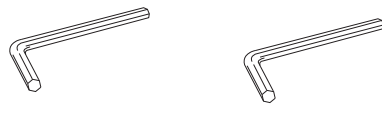
Hardware needed for assembling headboard and fitting side rails to headboard & footboard Packed in footboard Pack 2 - hardware Pack (A)

<p>a x20</p>  <p>Bolts (M8x30mm) for fitting side rails to headboard & footboard</p>	<p>b x26</p>  <p>Spring washer for M8 bolts</p>	<p>c x26</p>  <p>Flat washer for M8 bolts</p>	<p>d x1</p>  <p>Allen key for M8 bolt</p>	<p>j x6</p>  <p>Bolts (M8x45mm) for fitting wings (B&C) to main headboard (A)</p>
---	--	--	---	--




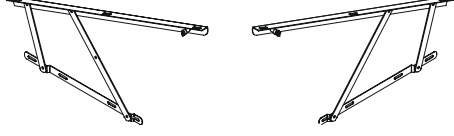
Hardware needed for fitting support rails (AA) to side rails & cushion blocks (AB) to metal slat support rails Packed in side rail Pack 3 - hardware pack (B) (please note x2 of (e, f, g & k) will not be used).

<p>b x8</p>  <p>Spring washer for M8 bolts</p>	<p>c x8</p>  <p>Flat washer for M8 bolts</p>	<p>e x6</p>  <p>Bolts (M6x40mm) for fitting the wooden cushion blocks to metal slat support rails</p>	<p>f x6</p>  <p>Sleeve nut for M6 bolt</p>	<p>g x7</p>  <p>Flat washer for M6 bolts and x1 for leg screw (q) when required</p>
<p>h x1</p>  <p>Allen key for M6 bolt</p>	<p>j x8</p>  <p>Bolts (M8x45mm) for fitting support rails (AA) to side rails (E&F)</p>	<p>q x1</p>  <p>Screw (5x40mm) Used only when fitting wooden slat support leg to wooden slat set, in the standard bed frame</p>	<p>k x6</p>  <p>Spring washer for M6 bolts</p>	



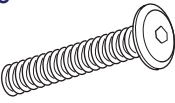




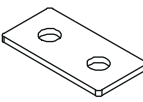
Hardware needed for installation of the TV is packed in the accessory box in footboard Pack 2

<p>(y) choose a pair of suitable bolt sets</p>  <p>Bolt sets M8 x 25mm Countersunk Screw sets (M6x12mm) Countersunk screw sets (M4x12mm)</p>	<p>(z) choose a suitable Allen key</p>  <p>Allen key (2.5mm) Allen key (4mm)</p>
---	---



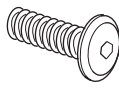
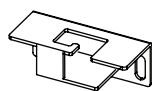
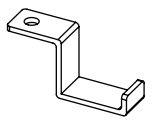


Hardware needed for fitting gas-lift mechanisms to headboard & footboard Packed in ottoman Pack 4 - hardware pack (C)

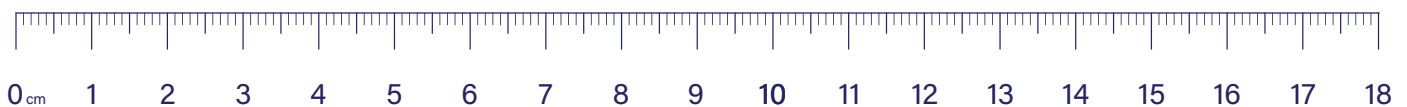
<p>a x8</p>  <p>Bolts (M8x30mm) for fitting gas-lift mechanisms p(a) & p(b) to headboard and footboard (A&B)</p>	<p>b x8</p>  <p>Spring washer for M8 bolts</p>	<p>c x8</p>  <p>Flat washer for M8 bolts</p>	<p>p(a) p(b)</p>  <p>Gas-lift mechanisms</p>
---	---	---	---

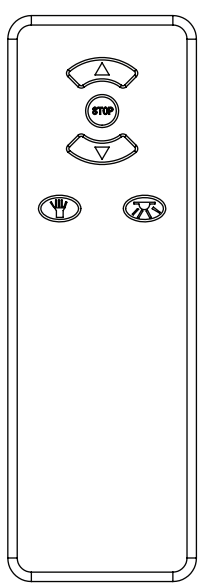


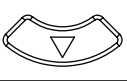


Hardware needed for fitting the metal ottoman slat frame
Packed in ottoman Pack 4 - hardware Pack (D)

<p>b x12</p>  <p>Spring washer for M8 bolts</p>	<p>C Double & King x20 Super King x22</p>  <p>Flat washer for M8 bolts</p>	<p>j x10</p>  <p>Bolts (M8x45mm) for fitting metal slat frame (H or K) to gas-lift mechanisms (p)</p>	<p>m Double & King x4 Super King x6</p>  <p>Bolts (M8x20mm) for fitting metal connection plates (s) to slat frame (P or S)</p>	<p>n x6</p>  <p>Nut for M8 slat frame bolts</p>
<p>q x2</p>  <p>Flanged lock-nut (M8) for gas-lift pistons</p>	<p>r x1</p>  <p>Spanner for M8 nuts</p>	<p>s x2</p>  <p>Metal connection plates for slat frame</p>		

Hardware needed for fixing ottoman support bar (O.S.B) to the side rail
Packed inside the ottoman frame Pack 4 - hardware pack (E)

<p>b x5</p>  <p>Spring washer for M8 bolts</p>	<p>c x5</p>  <p>Flat washer for M8 bolts</p>	<p>w x5</p>  <p>Bolts (M8x25mm) for fitting ottoman support bar</p>	<p>P x1</p>  <p>Fixed retaining bracket</p>	<p>Q x1</p>  <p>Parking bracket</p>
<p>O x1</p>  <p>Ottoman support bar</p>		<h1 style="text-align: center;">Tools required</h1> <p style="text-align: center;">Please check you have these tools below</p> <div style="display: flex; align-items: center; justify-content: center;">  <div style="margin-left: 10px;"> <p>Tape measure</p> </div> </div>		

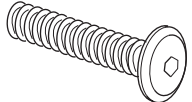


		<p>Press once and TV will rise to it's upper working position. Power to the TV will be connected automatically</p>
		<p>Press once and TV Lift will stop.</p>
		<p>Press once and TV will go down - as soon as the lower resting position is reached power to the TV is switched off to prevent it overheating.</p>
		<p>Torch</p>
		<p>Code Matching</p>
	<p>Code Matching (pairing): occasionally pairing is lost, perhaps due to atmospheric conditions. To re-pair - press and hold the code matching button whilst connecting the power by plugging the mains cable into the control box of the TV lift on the base of the footboard. Continue to press the button for another 5 seconds then press the up or down button to successfully match the code. Regularly check the batteries and if necessary re-place them - x3 pcs AAA size.</p>	

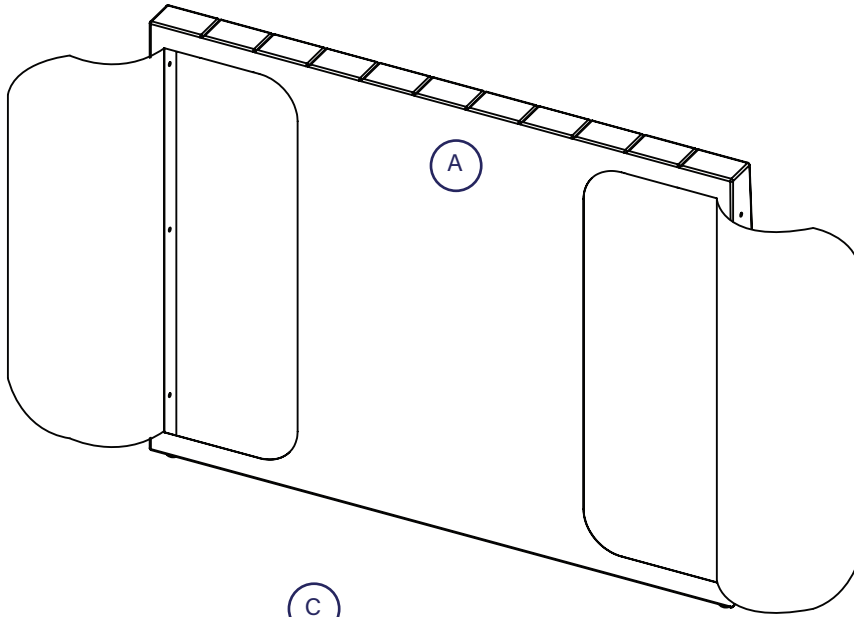
1 Fit the wings to the headboard

b  x6 c  x6

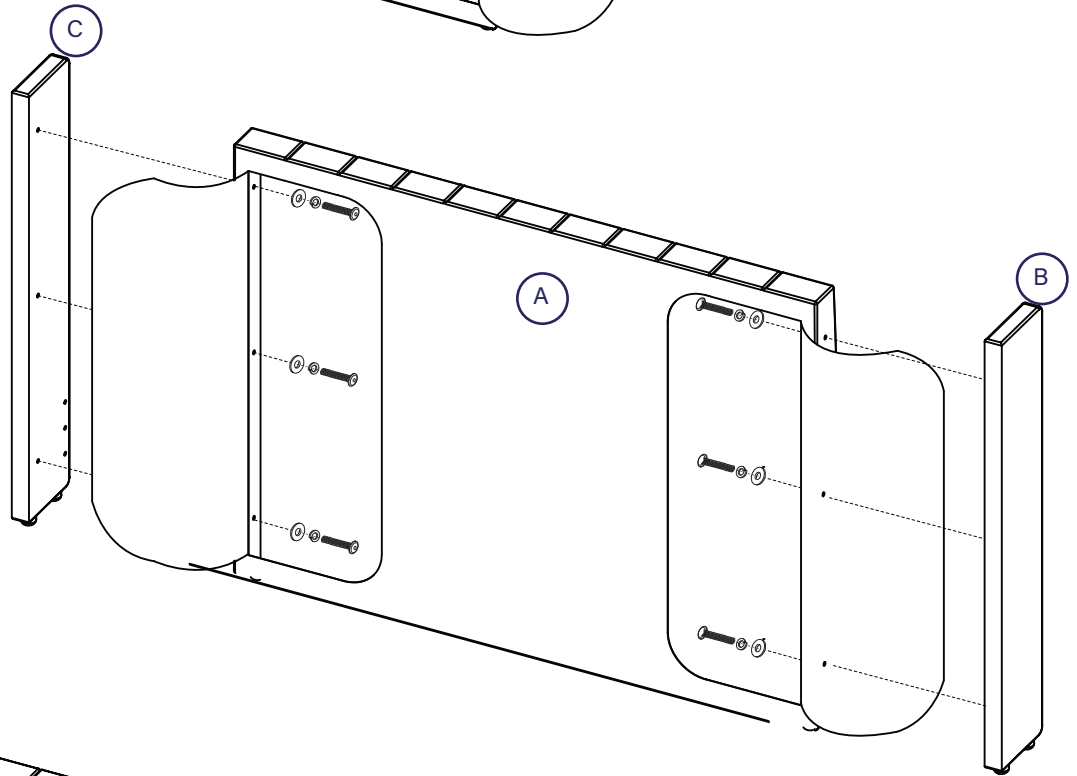
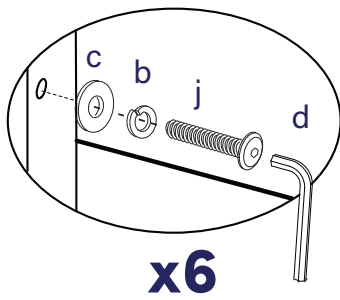
d  x1

j  x6

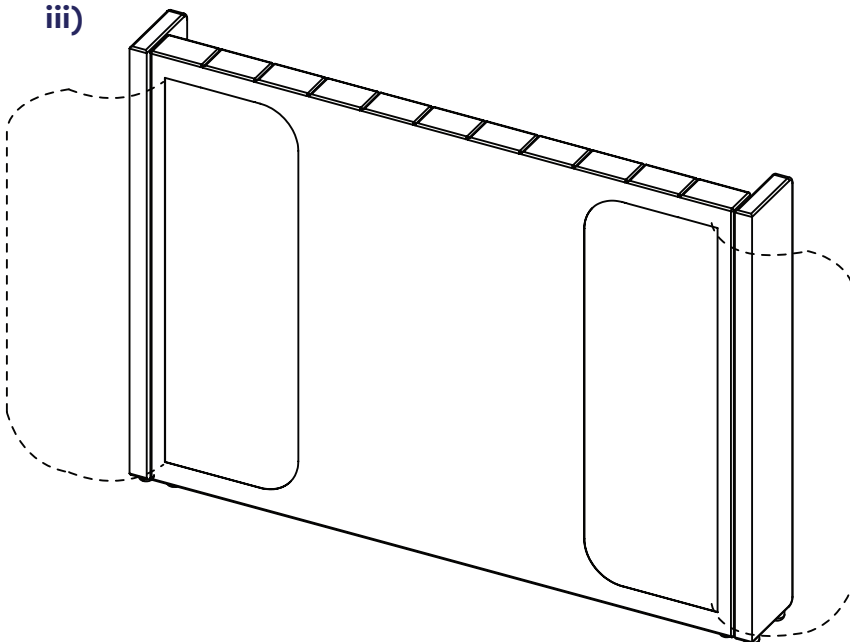
i)



ii)



iii)

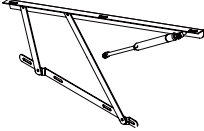
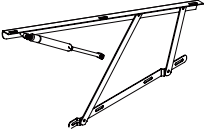


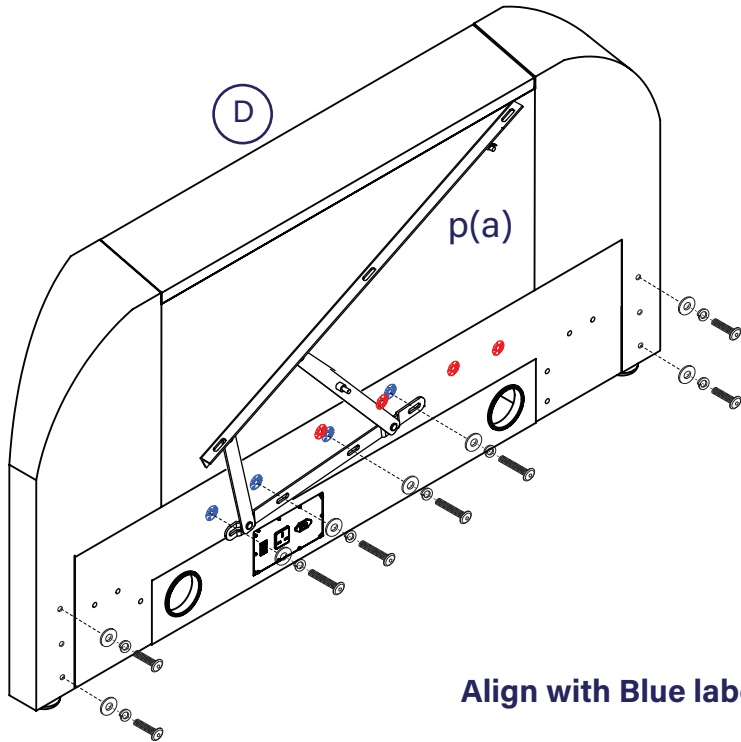
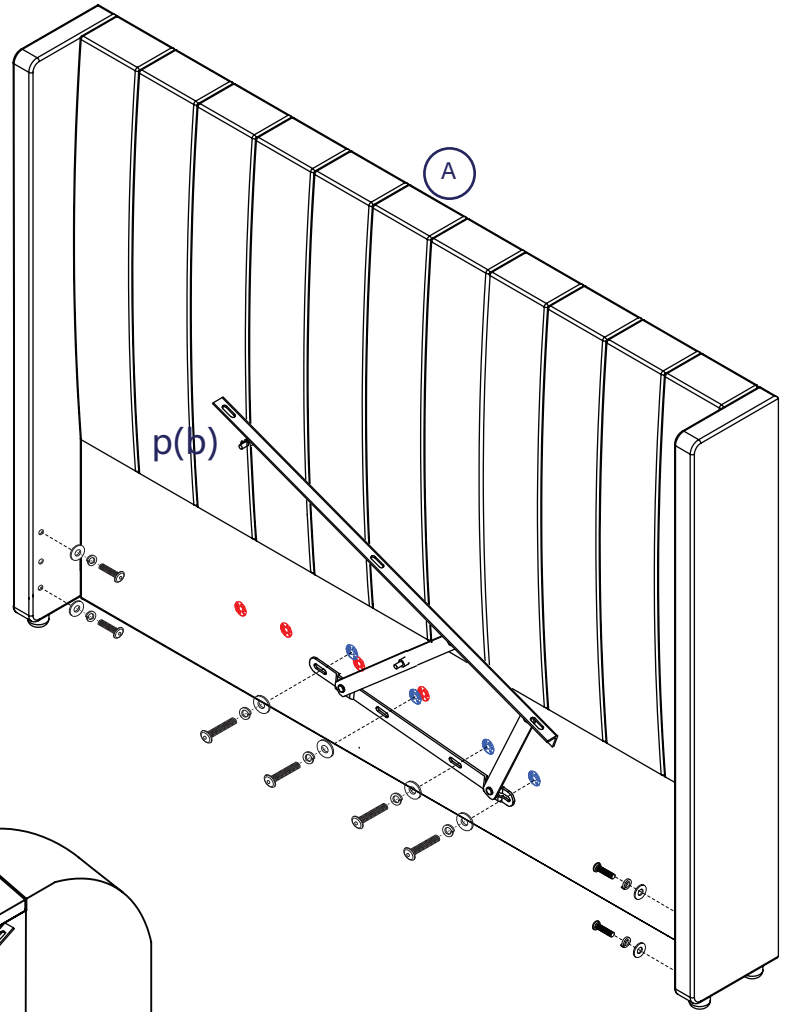
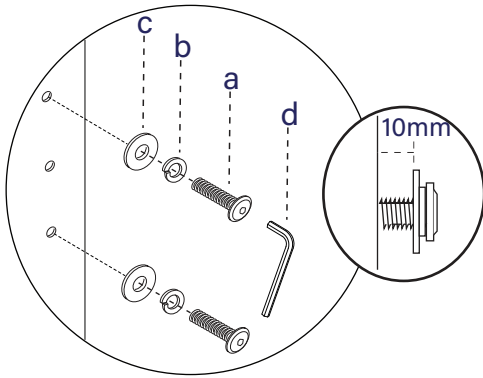
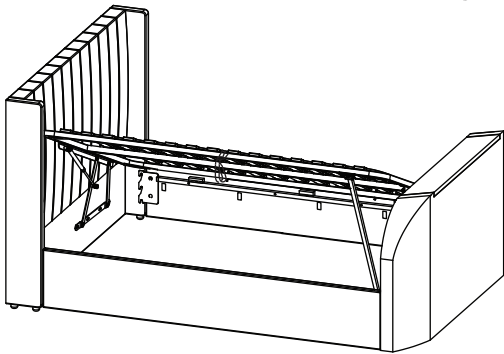
2a

Prepare headboard & footboard choosing from which side to lift up the ottoman.

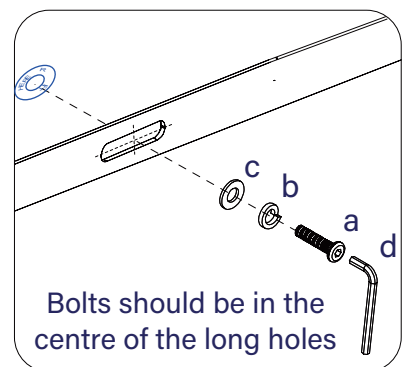
Follow these instructions if you want to lift the frame up from the LEFT side.

- a  x16 b  x16 c  x16 d  x1

- p(a)  x1 p(b)  x1

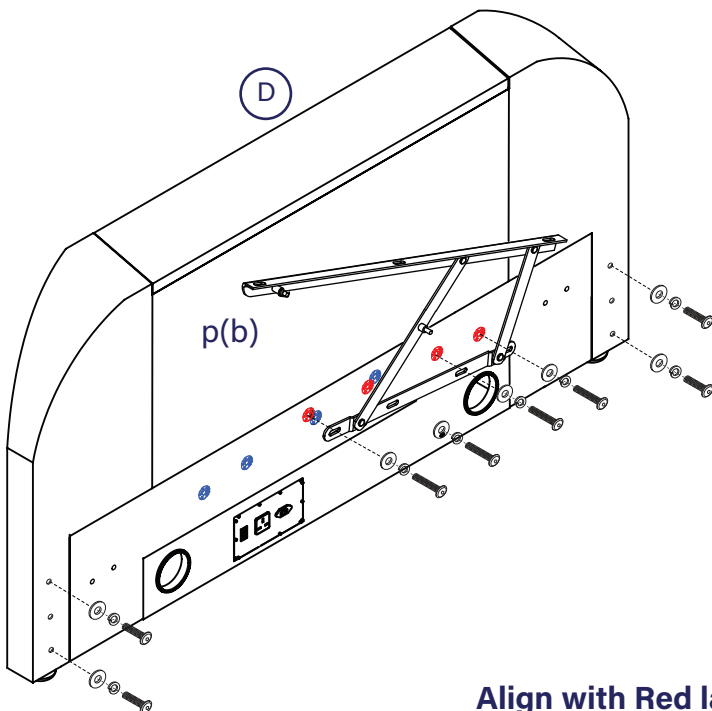
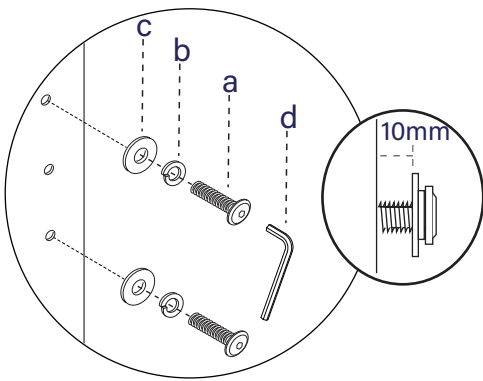
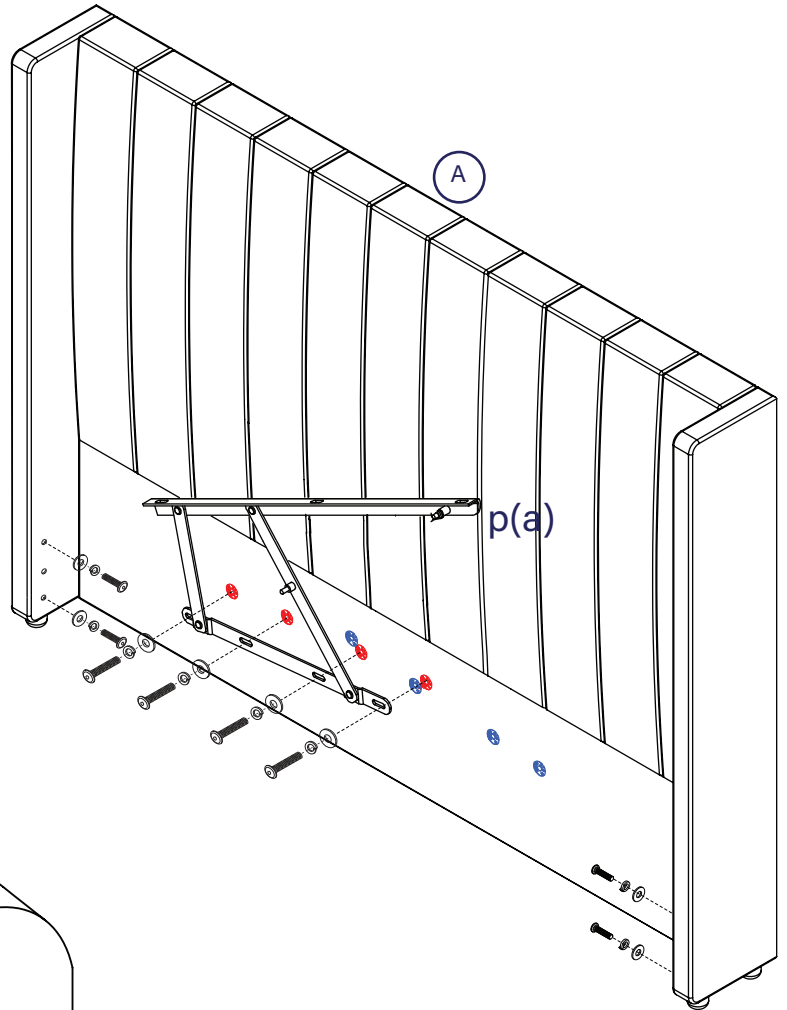
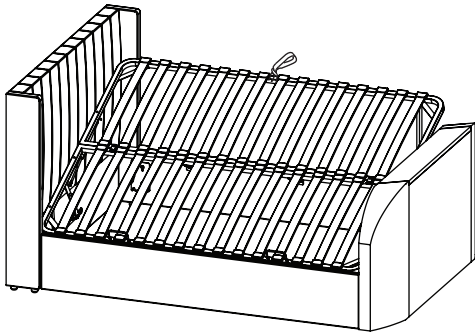
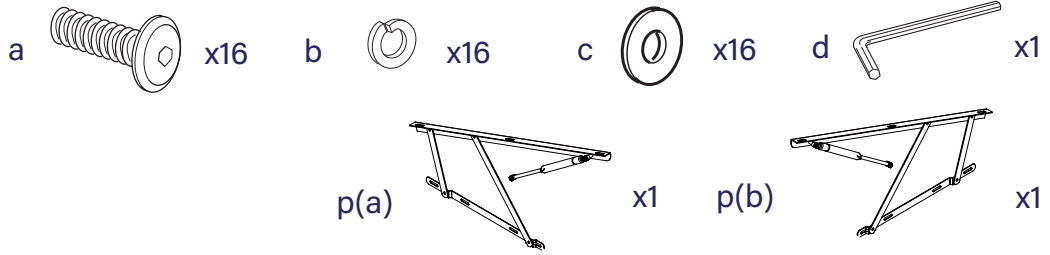


Align with Blue labels

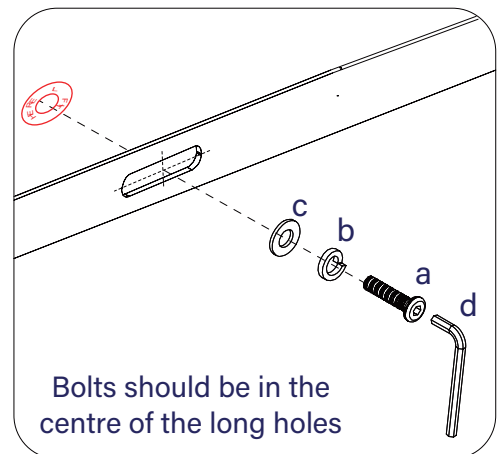


2b

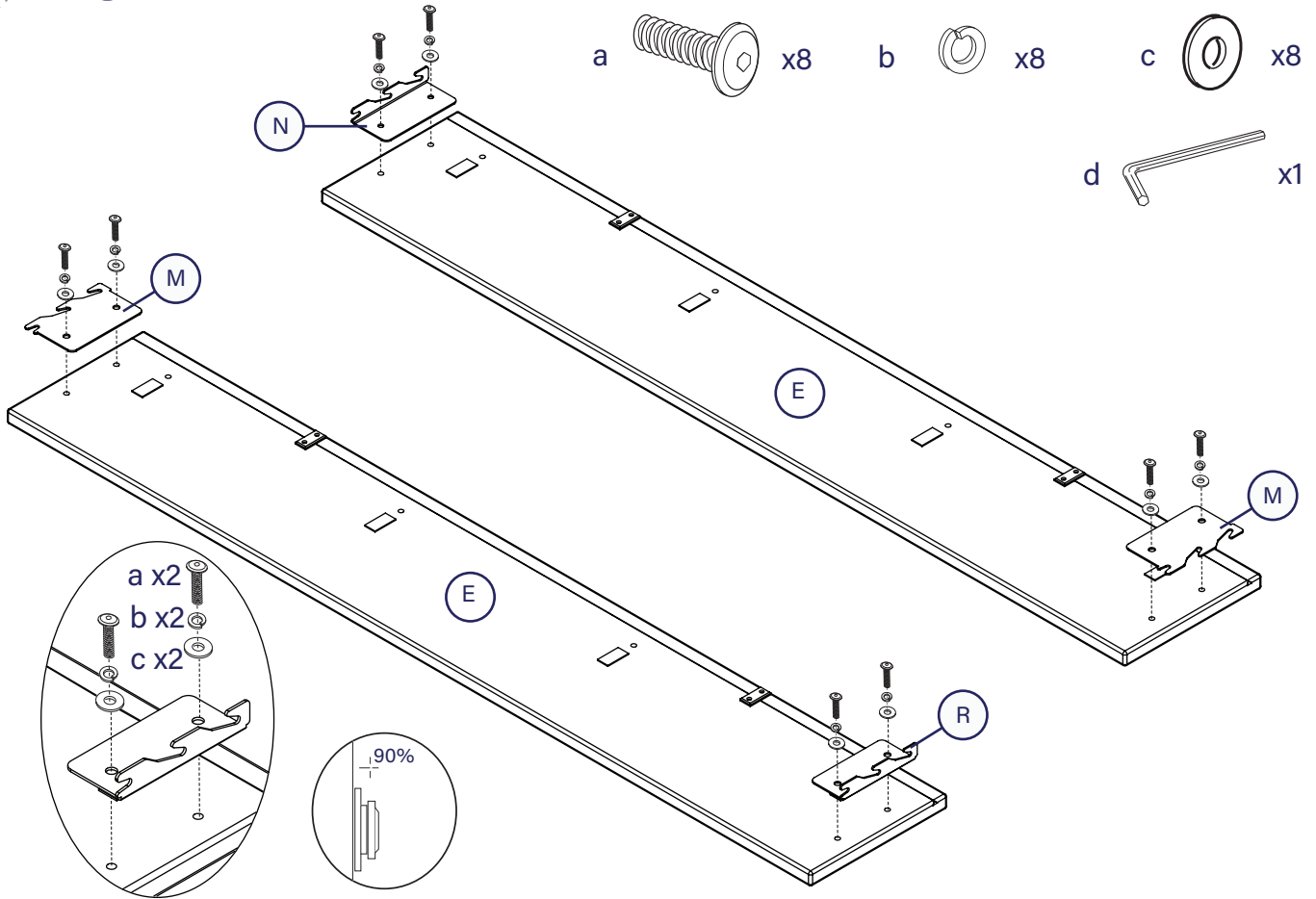
Follow these instructions if you want to lift the frame up from the RIGHT side.



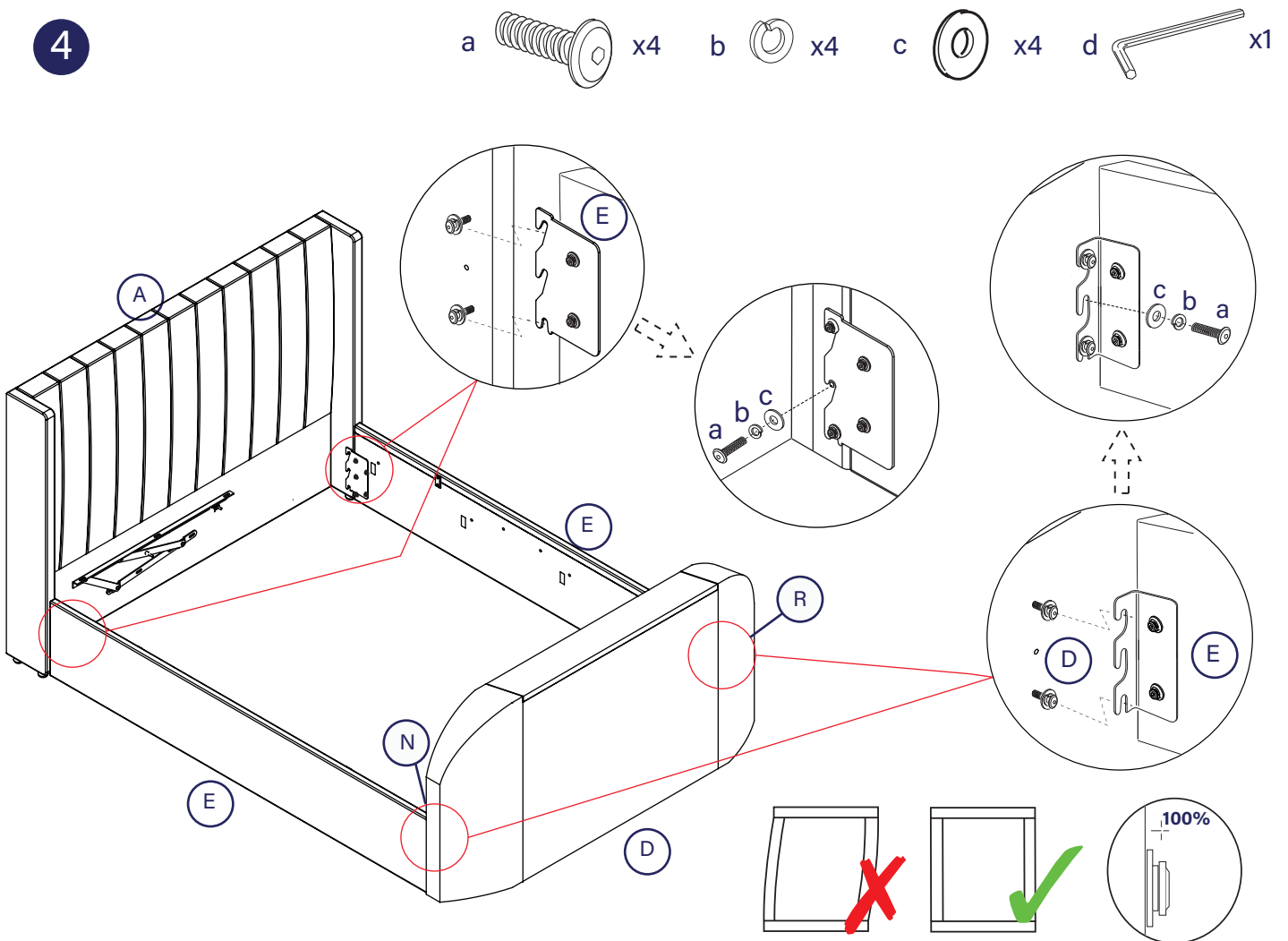
Align with Red labels



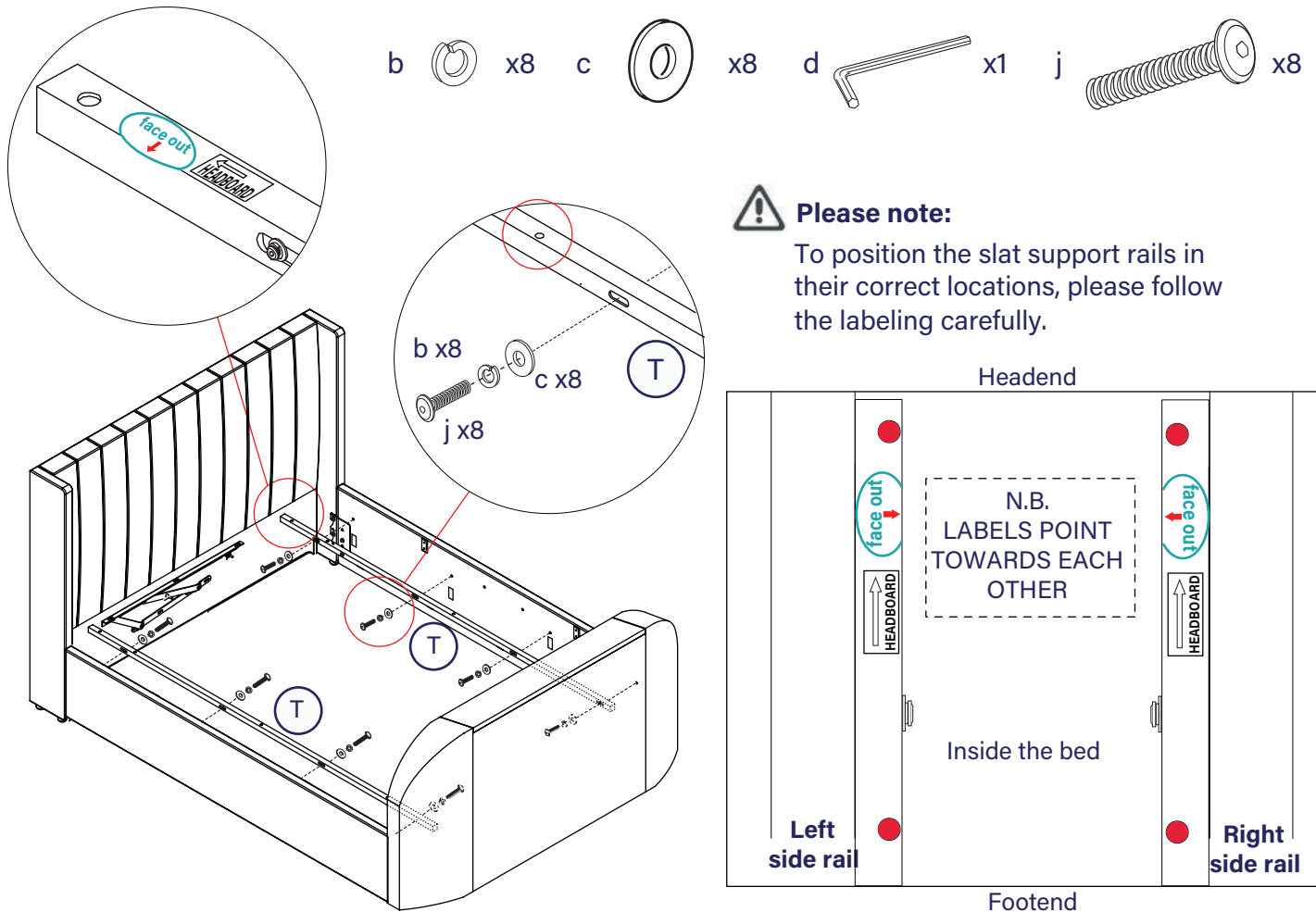
3 Fit brackets (M,N & R) to the side rails



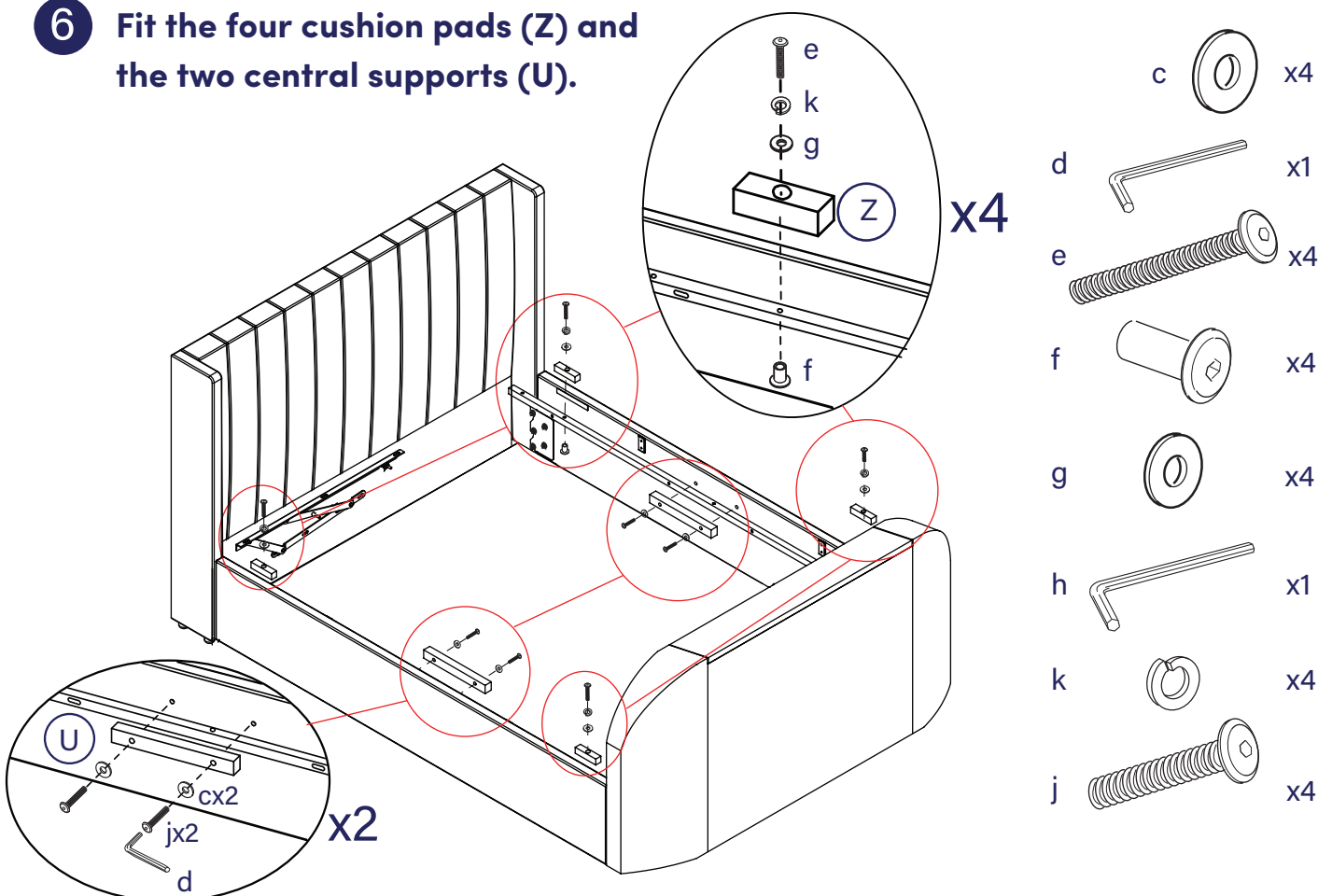
4



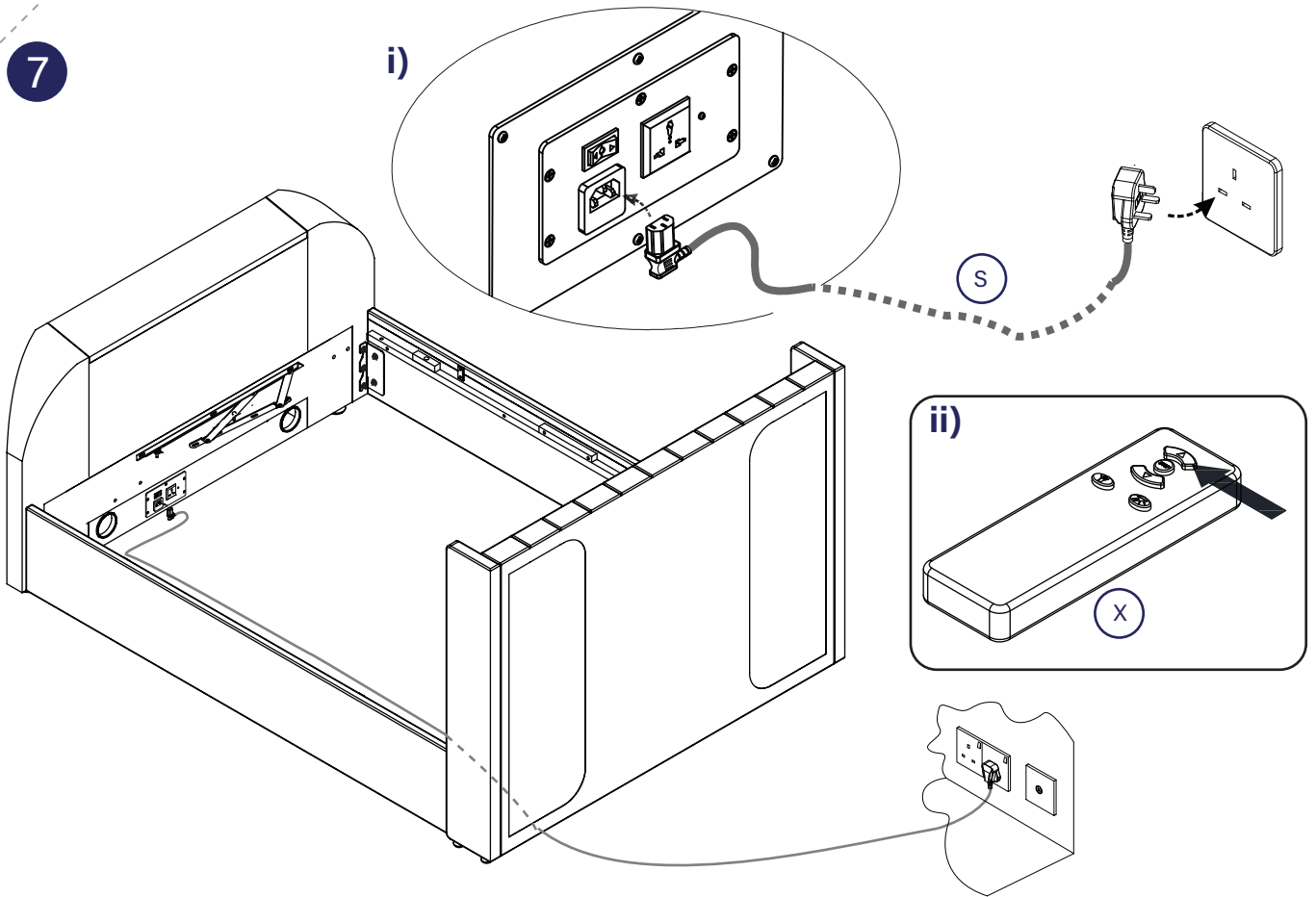
5 Fit the slat support rails (T) - note the hole position is off-center



6 Fit the four cushion pads (Z) and the two central supports (U).



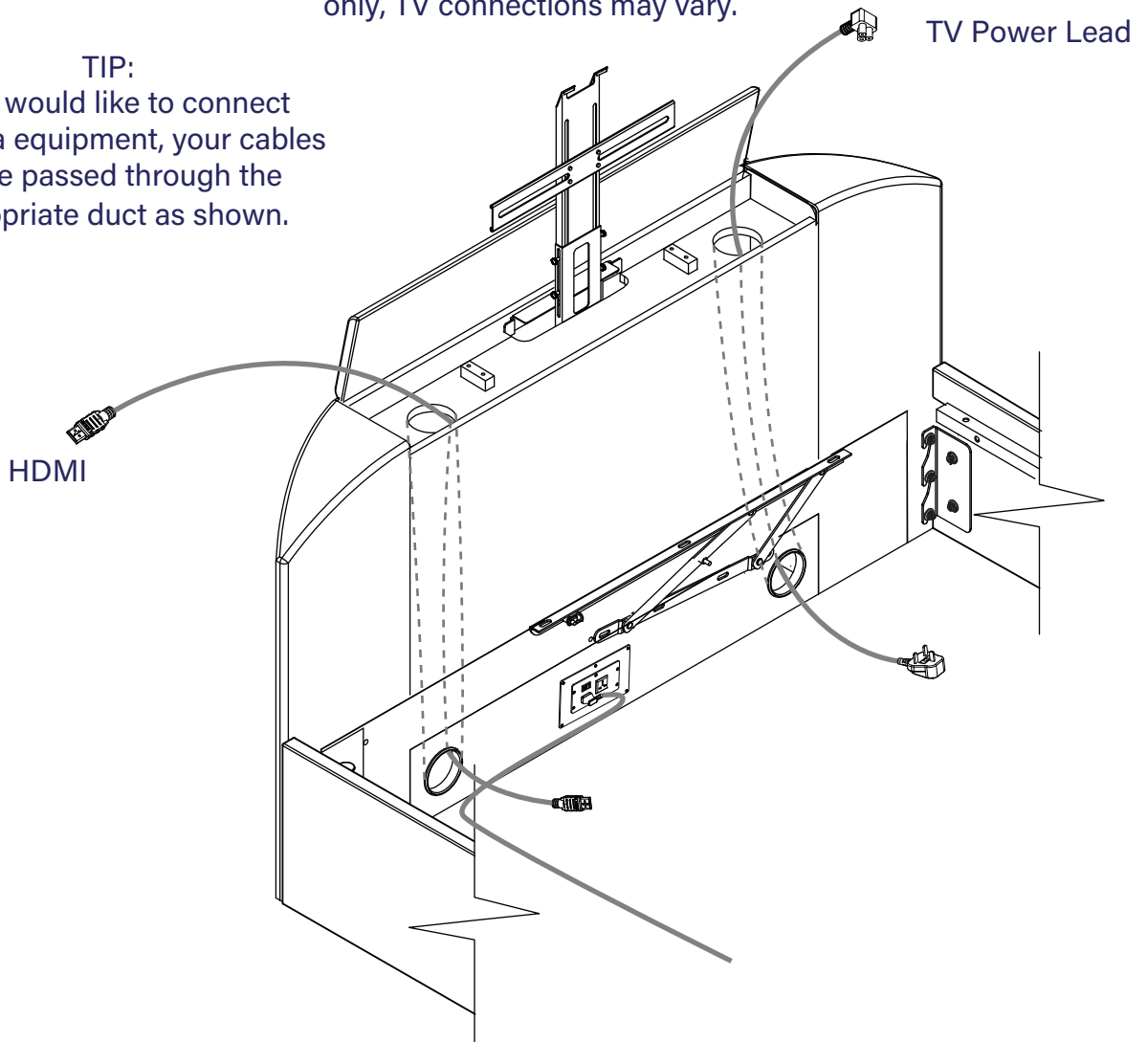
7



8

Note: For illustration purposes only, TV connections may vary.

TIP:
If you would like to connect media equipment, your cables can be passed through the appropriate duct as shown.



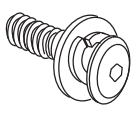
9

TV Installation-Normal Vesa Fixing

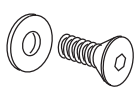
IF SCREWS ARE SUPPLIED WITH TV, PLEASE USE THOSE IN PREFERENCE

Choose a suitable set of hardware

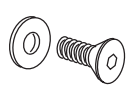
y x2 Screw-Washer sets (M8x25mm) - Use 5mm Allen Key (D)



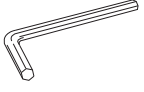
Counter-Sunk Screws (M6x12mm)



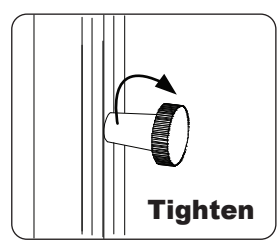
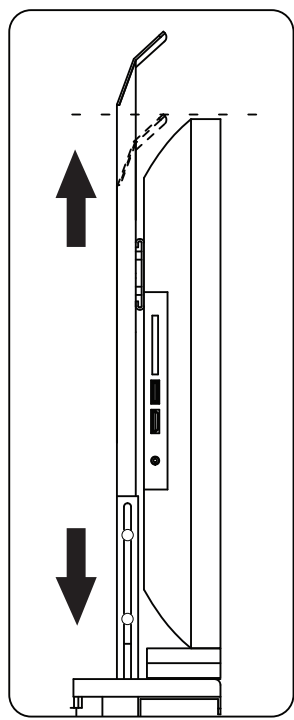
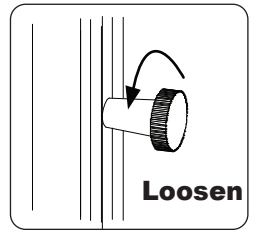
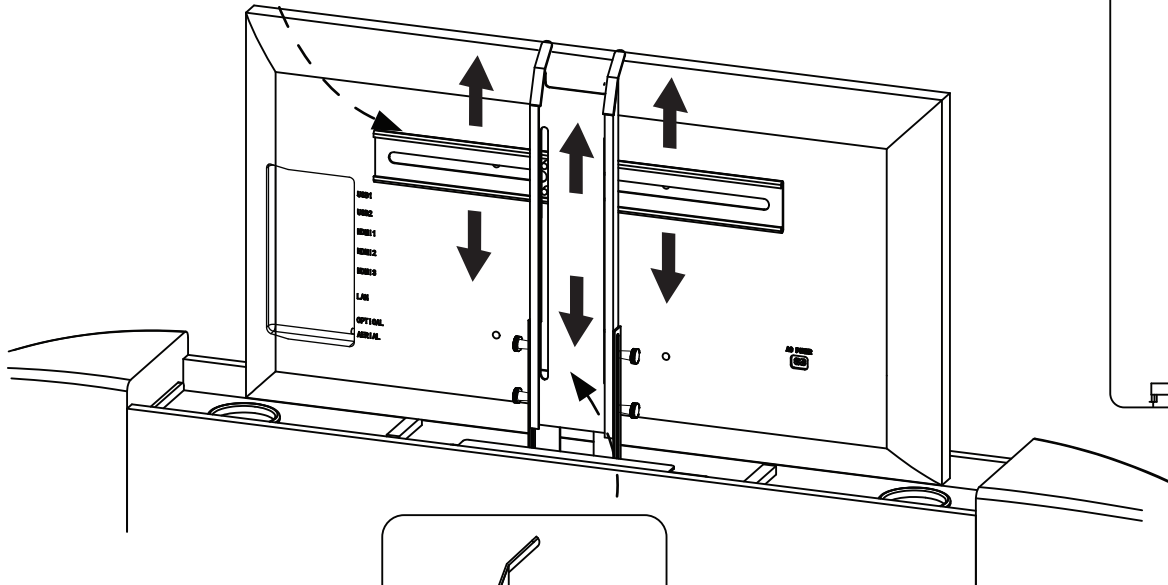
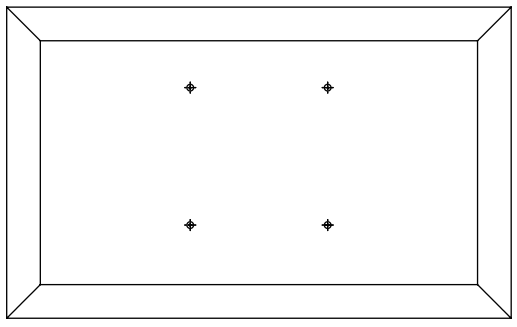
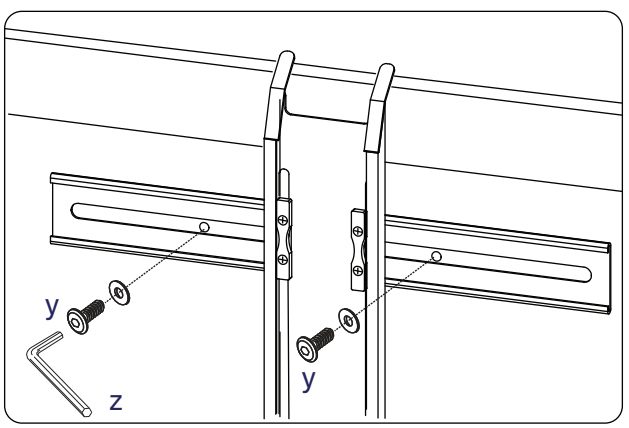
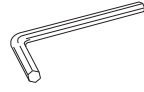
Counter-Sunk Screws (M4x12mm)



z x2 Allen Key (4mm)



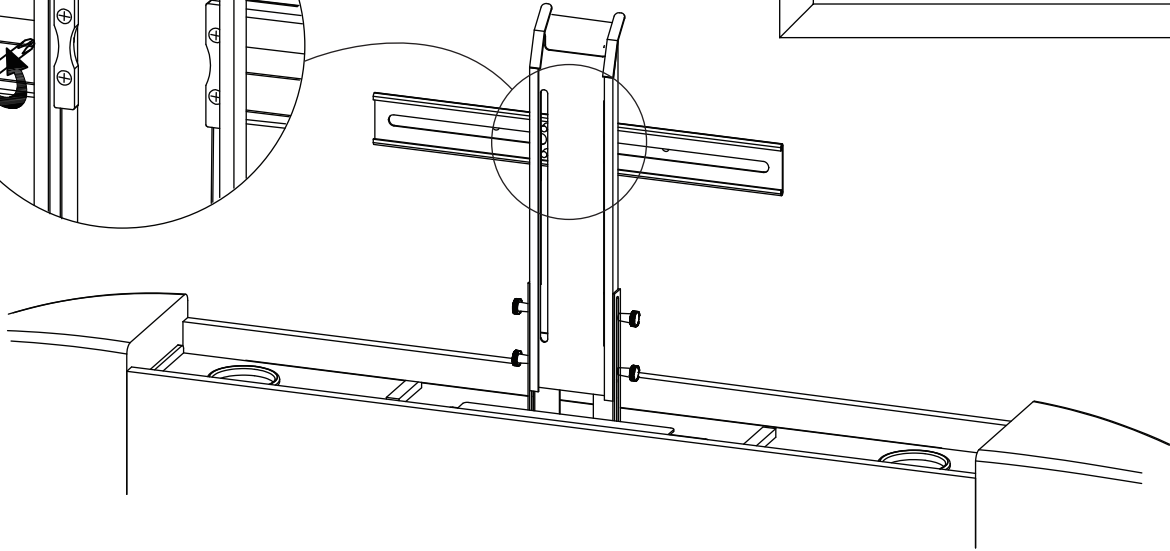
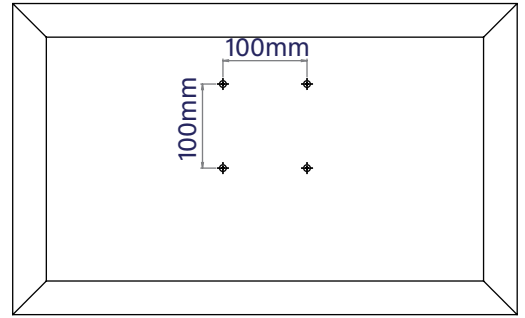
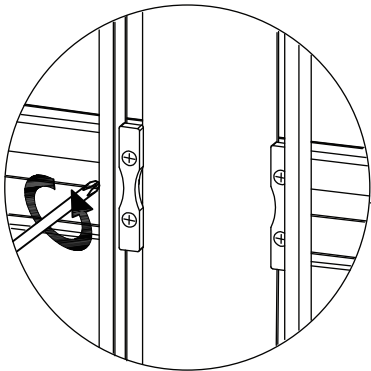
Allen Key (2.5mm)



10a

TV Installation - 100 x 100 Vesa fixing

Remove cross bracket and fit directly to back of the television.

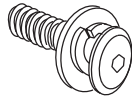


10b

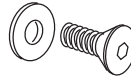
IF SCREWS ARE SUPPLIED WITH TV, PLEASE USE THOSE IN PREFERENCE

Choose a suitable set of hardware

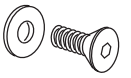
y x2 Screw-Washer sets (M8x25mm)
Use 5mm Allen Key (D)



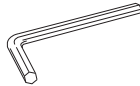
Counter-Sunk Screws (M6x12mm)



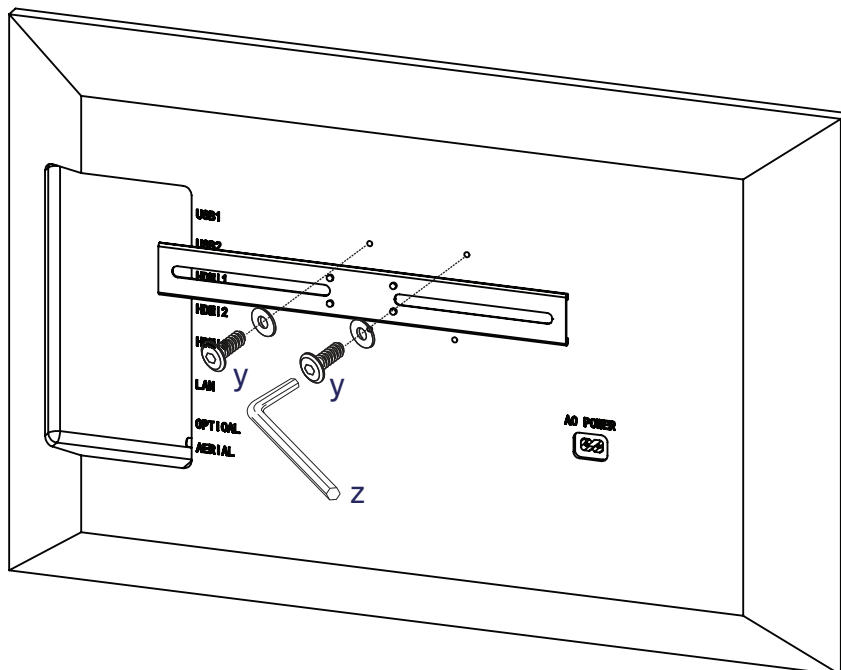
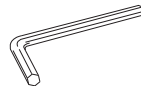
Counter-Sunk Screws (M4x12mm)

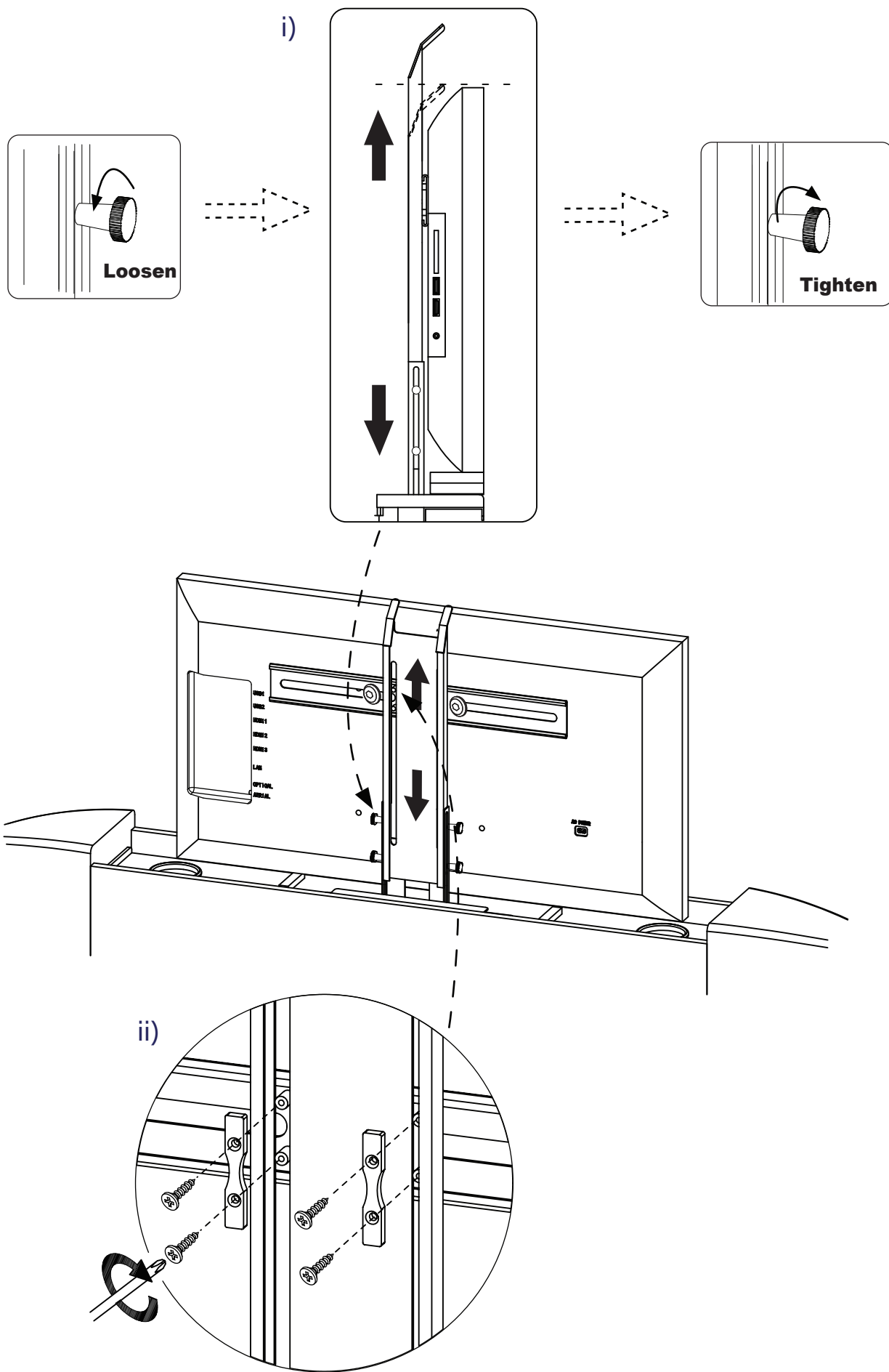


z x2 Allen Key (4mm)



Allen Key (2.5mm)

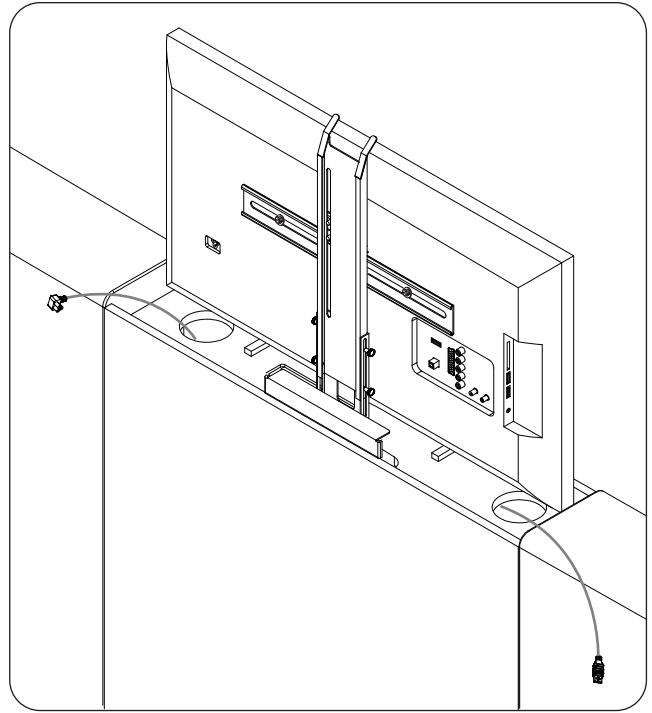
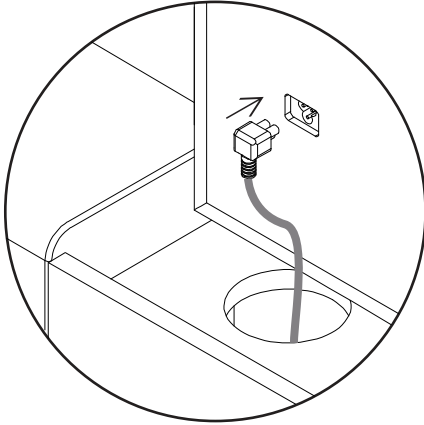




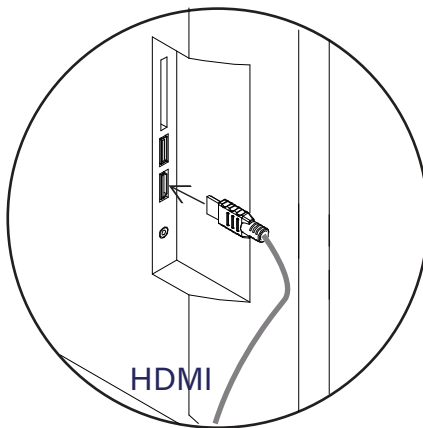
11

Note: For illustration purposes only, TV connections may vary.

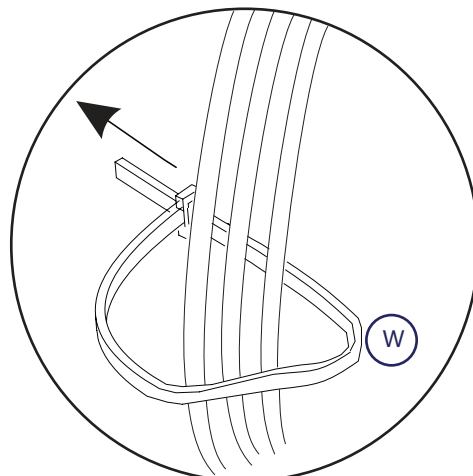
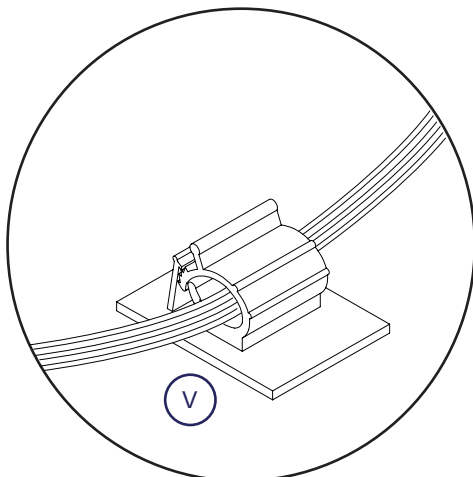
TV Power Lead



To help fitting your own cables, this is shown for illustration only.

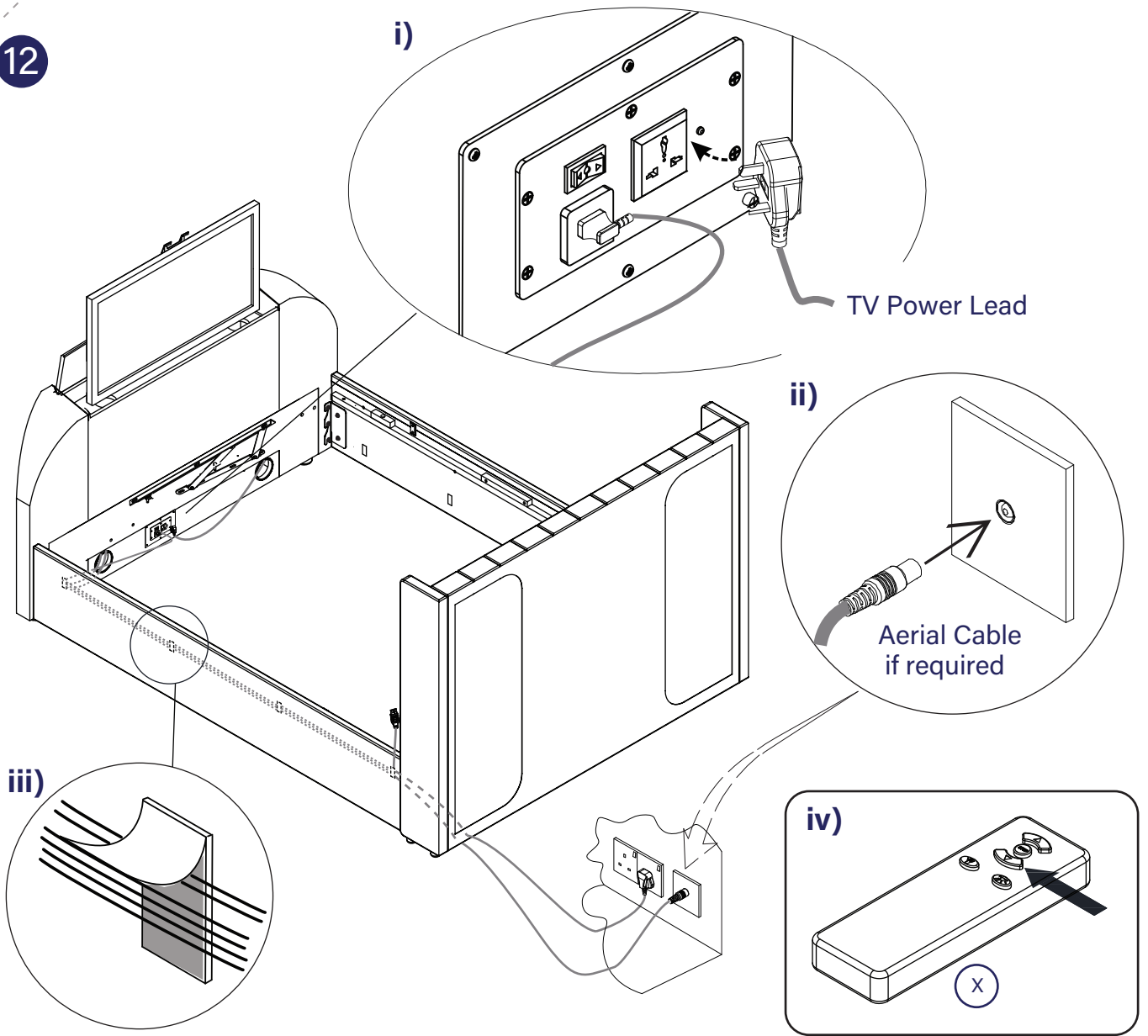


**PLUG IN - KEEP ALL CABLES TIGHT
USE CLIPS & TIES PROVIDED.**



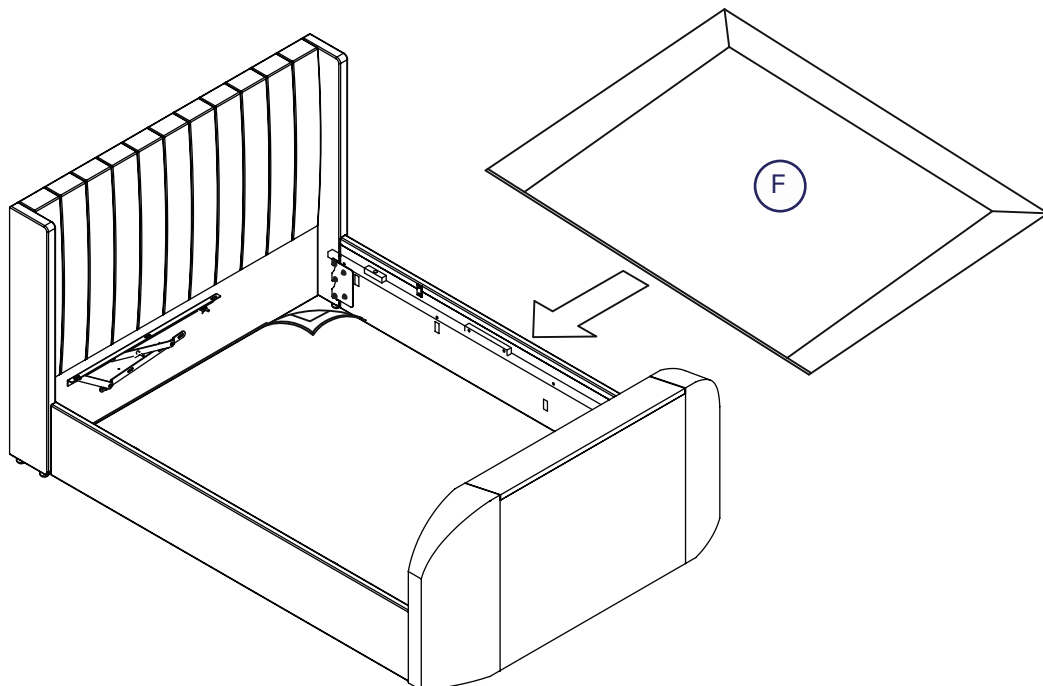
**Keep wires tight - peel
off cover from cable clips
& adhere to back of TV.**

12



13

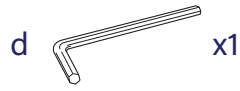
Fit the fabric base cover evenly around the inside of the bed



14



Double or King x4
Super King x6



x1



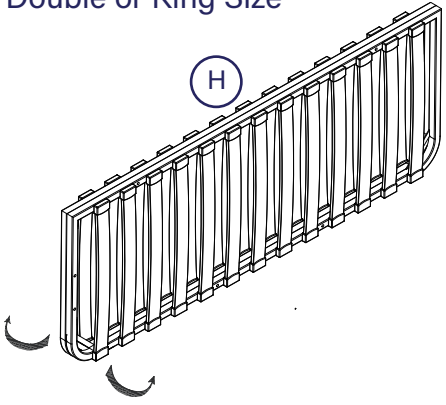
x2



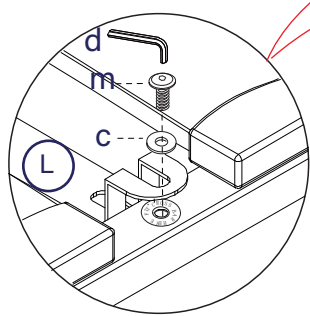
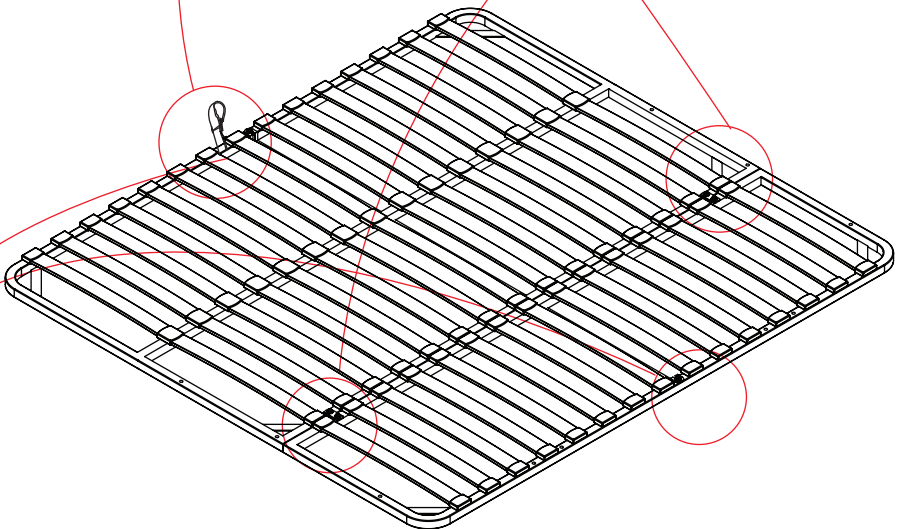
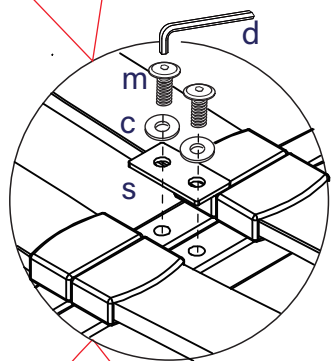
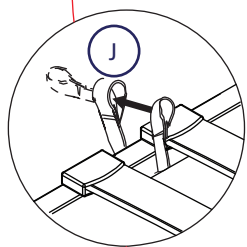
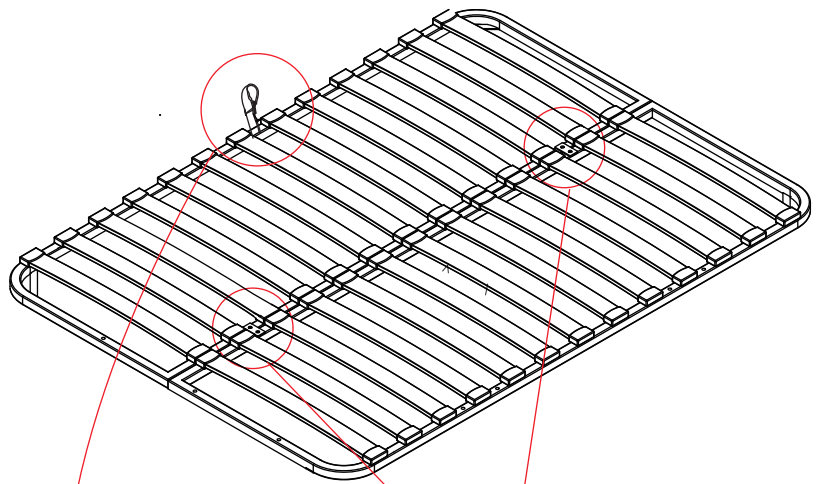
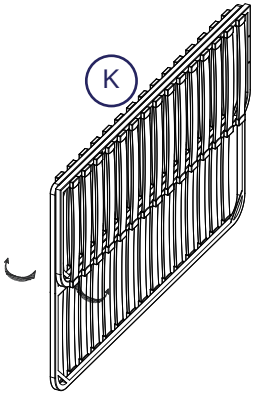
m

Double or King x4
Super King x6

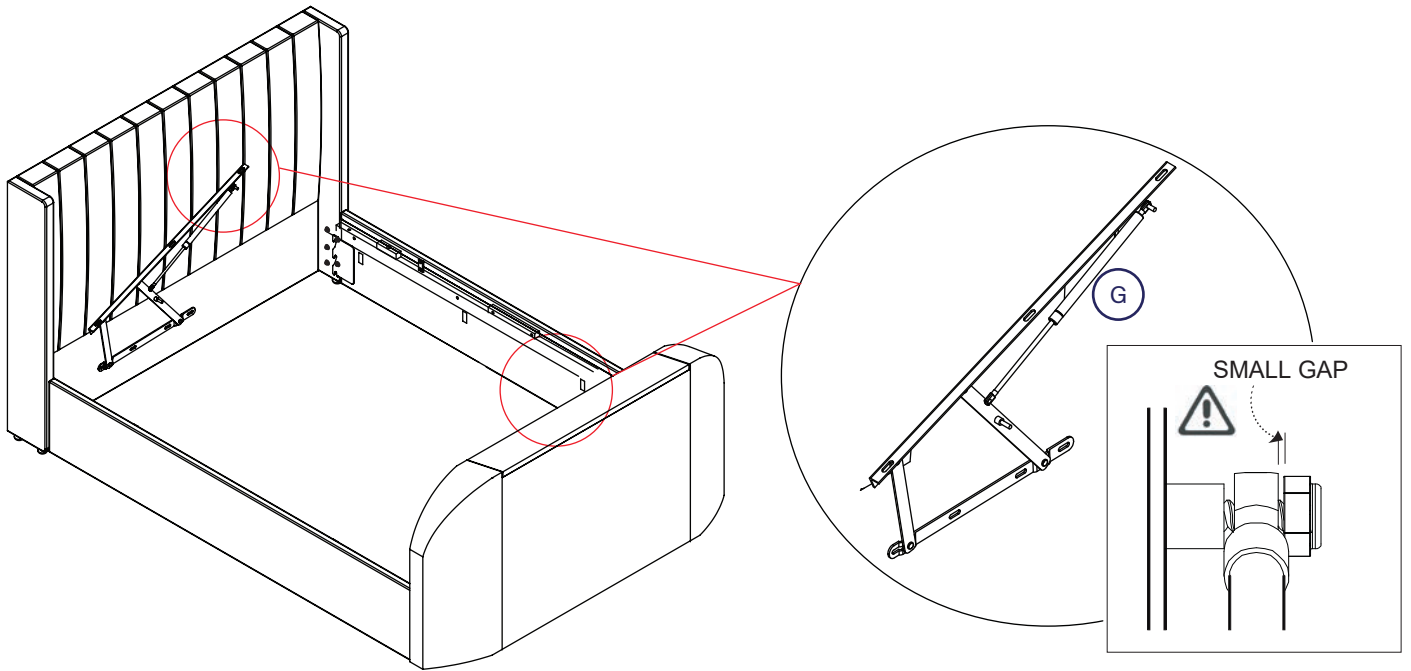
Double or King Size



Super King Size



15



16

b		x6
c		x12
d		x1
j		x6
n		x6
r		x1

i)

Bolt into centre of long holes

d

j

c

c

b

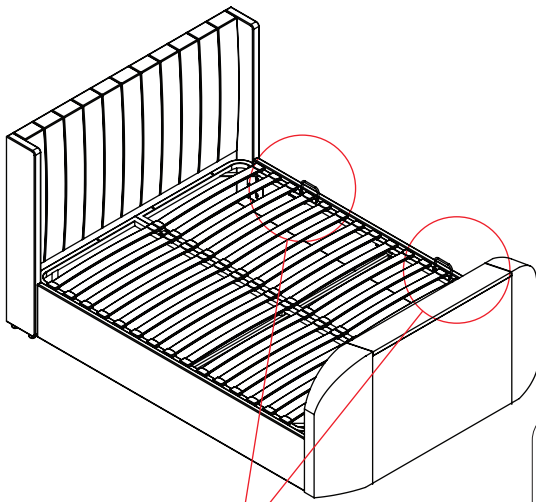
r

n

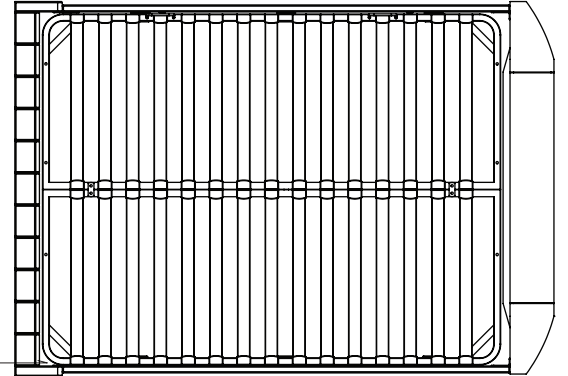
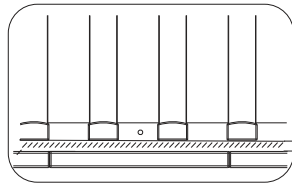
10mm

17

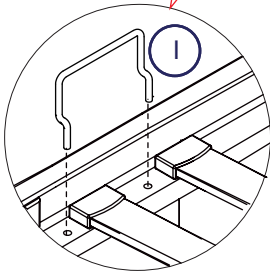
d x1 r x1



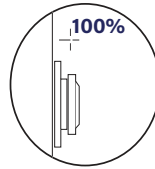
ii)



iv)



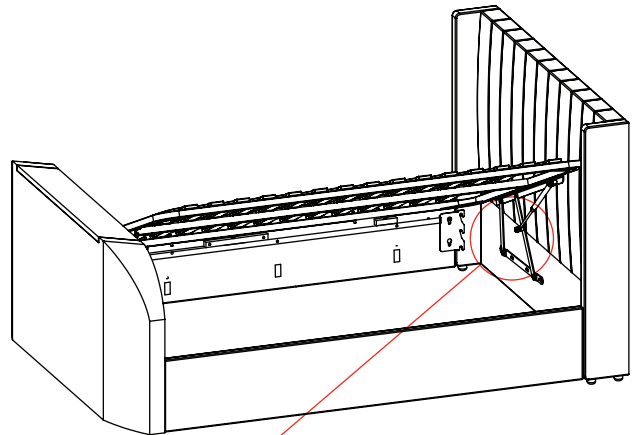
iii)



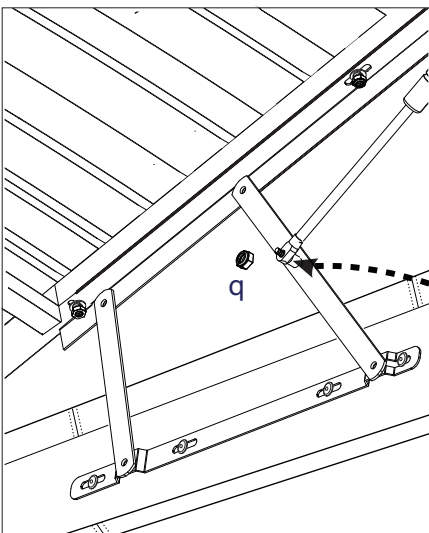
x6

18

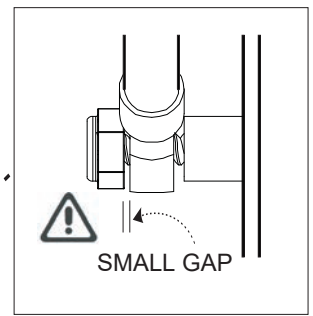
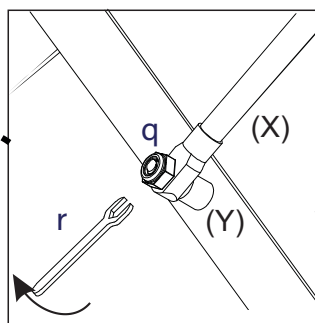
q x2 r x1



i)

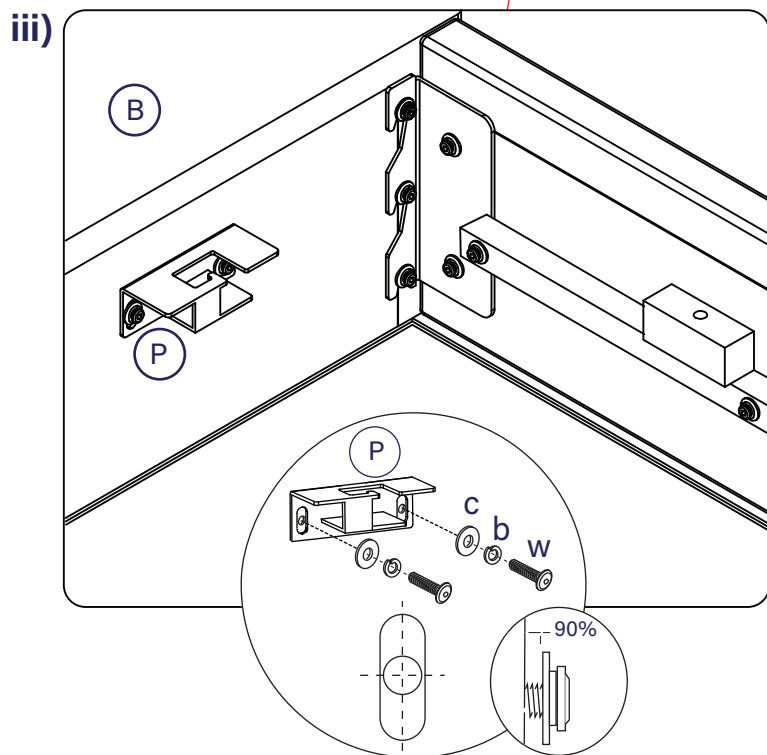
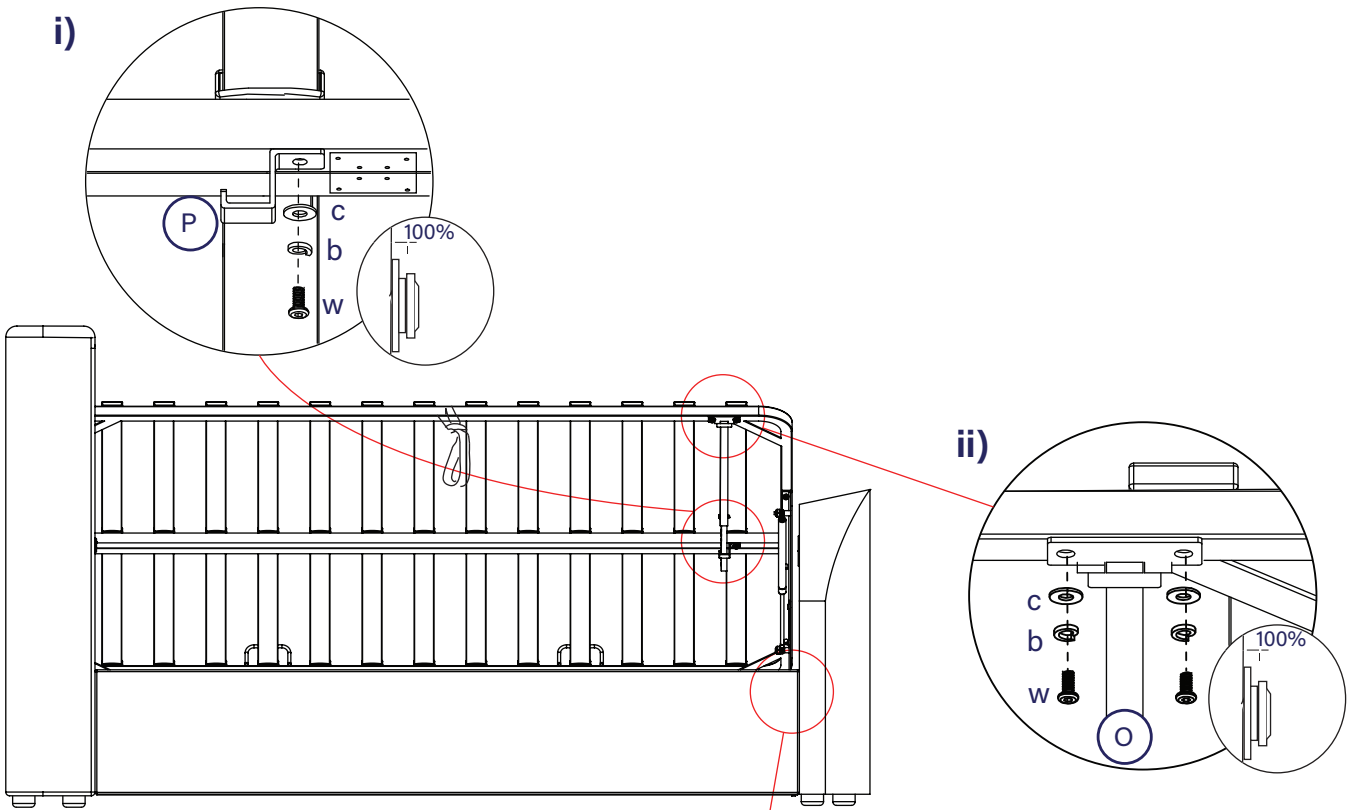


ii)



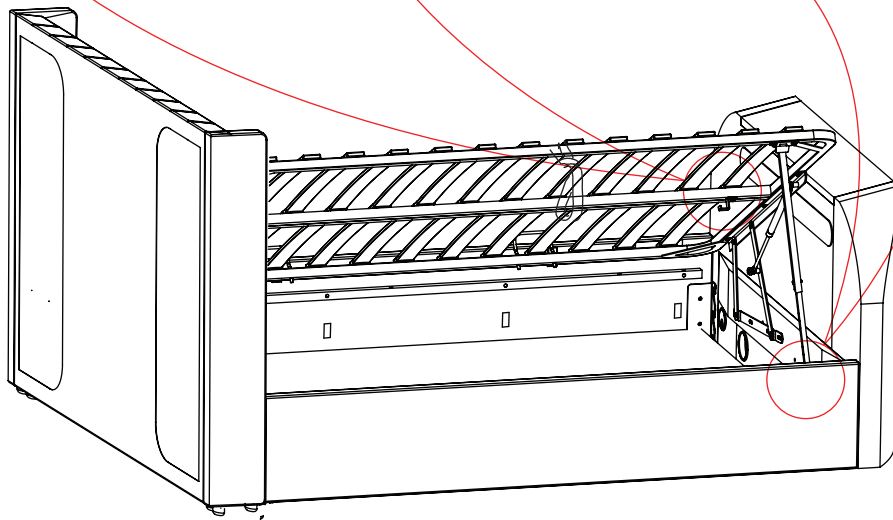
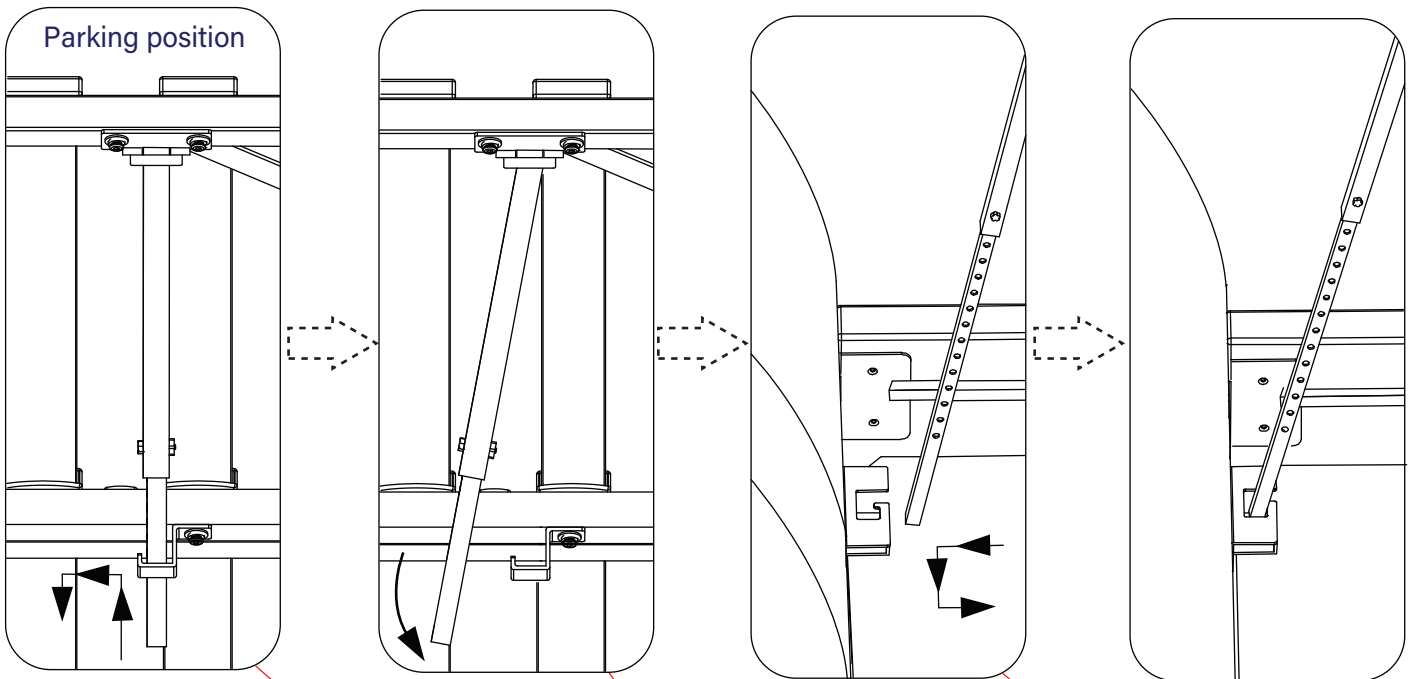
19 **Unpack the contents of the Ottoman Support Bar (O.S.B.) from it's carton - this is packed inside Pack 4.**

b  x5 c  x5 d  x1 w  x5

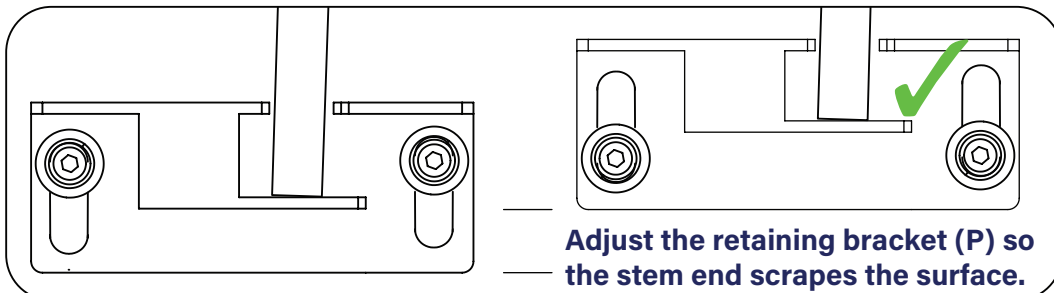
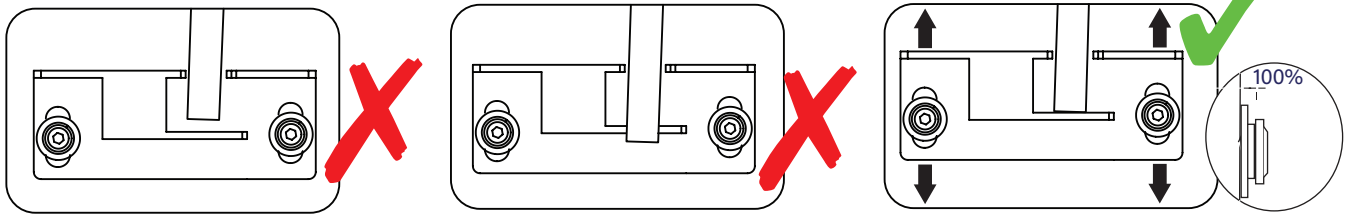


20

Setting the inner stem of the support bar (O), adjust the inner stem to the correct length.



Set the inner stem to the correct length so the end just touches the retaining bracket - it needs to touch to hold it in position.



Technical Specifications

Max TV Size: 975 x 575 x 85 (WHDmm)

Overall Dimensions (LWH mm)

Double: 2245 x 1470 x 1185

King: 2345 x 1620 x 1185

Super King: 2345 x 1920 x 1185

Internal Dimensions (LWH mm)

Double: 1930 x 1380 x 310

King: 2030 x 1530 x 310

Super King: 2030 x 1830 x 310

Media Tray Dims (WDH mm)

885 x 398 x 160

Distance between slats

70mm

Ottoman Piston Rating

Double & King: 750N

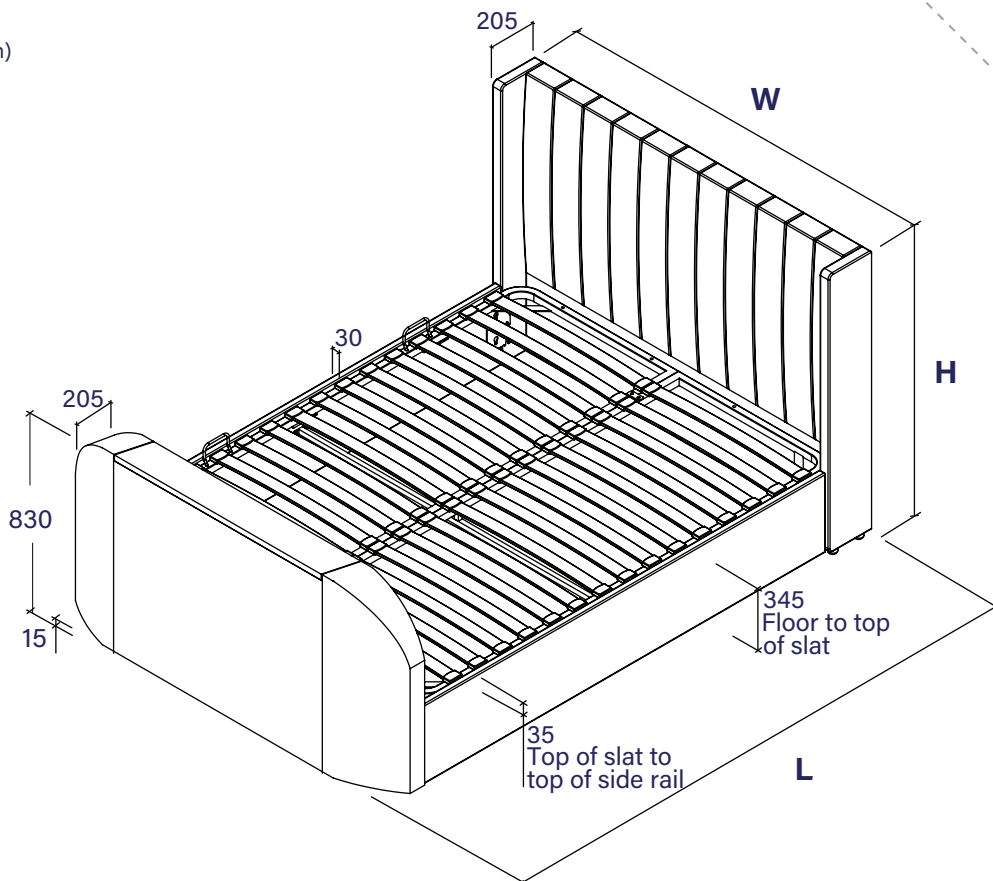
Super King: 900N

Slat Dimensions (LWH mm)

Double: 595 x 53 x 9

King: 670 x 53 x 9

Super King: 745 x 53 x 9



Care and maintenance

Here are some tips to keep your new bed in tip-top condition



Cleaning

To clean your new bed, we'd advise using a warm damp cloth or if fabric, remove dust using a low suction vacuum cleaner.

Please do not use abrasive chemicals or bleach as this may damage the product.



Checking and moving

Periodically we recommend you check that the screws or fixtures haven't become loose over time. To move your new bed, we recommend lifting it where possible, as dragging or pushing it could cause damage to the legs or flooring.



Wood

Please note each of our wooden pieces are unique, meaning that markings and shade can vary slightly between beds. Over a period of time, the wood might lighten or fade slightly due to light exposure.



Fabric

Please note depending on the lighting, positioning and surroundings of your room, the shade of the colour can sometimes appear slightly different. Over a period of time, the colour might lighten or fade slightly due to light exposure.



Metal

Metal tends to be more resilient to everyday wear and tear. We recommend to gently dust your metal furniture and keep it dry to maintain its look.

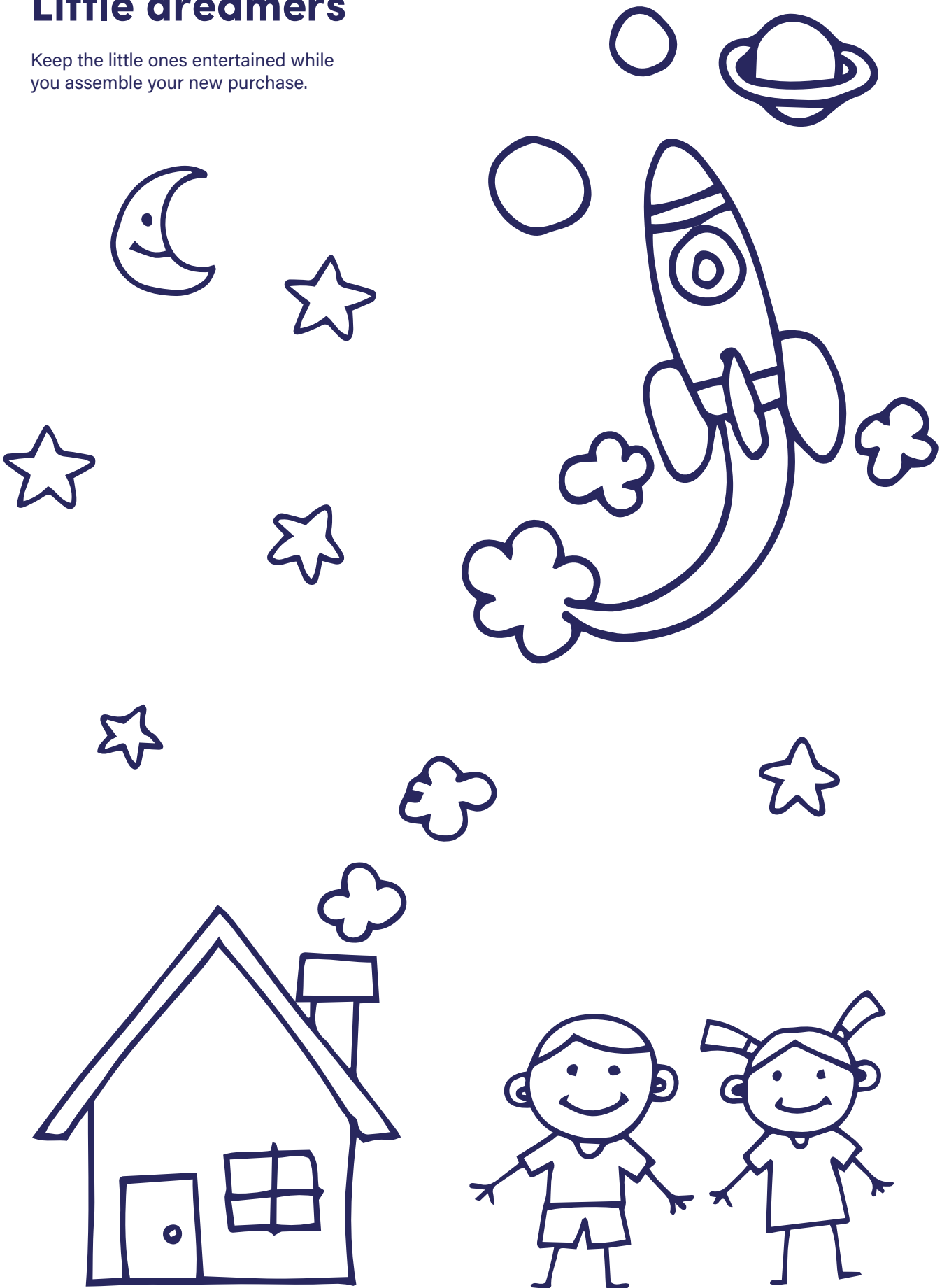
Thank you for shopping with us - we hope you have a great night's sleep.

Sleep well



Little dreamers

Keep the little ones entertained while you assemble your new purchase.



Dreams