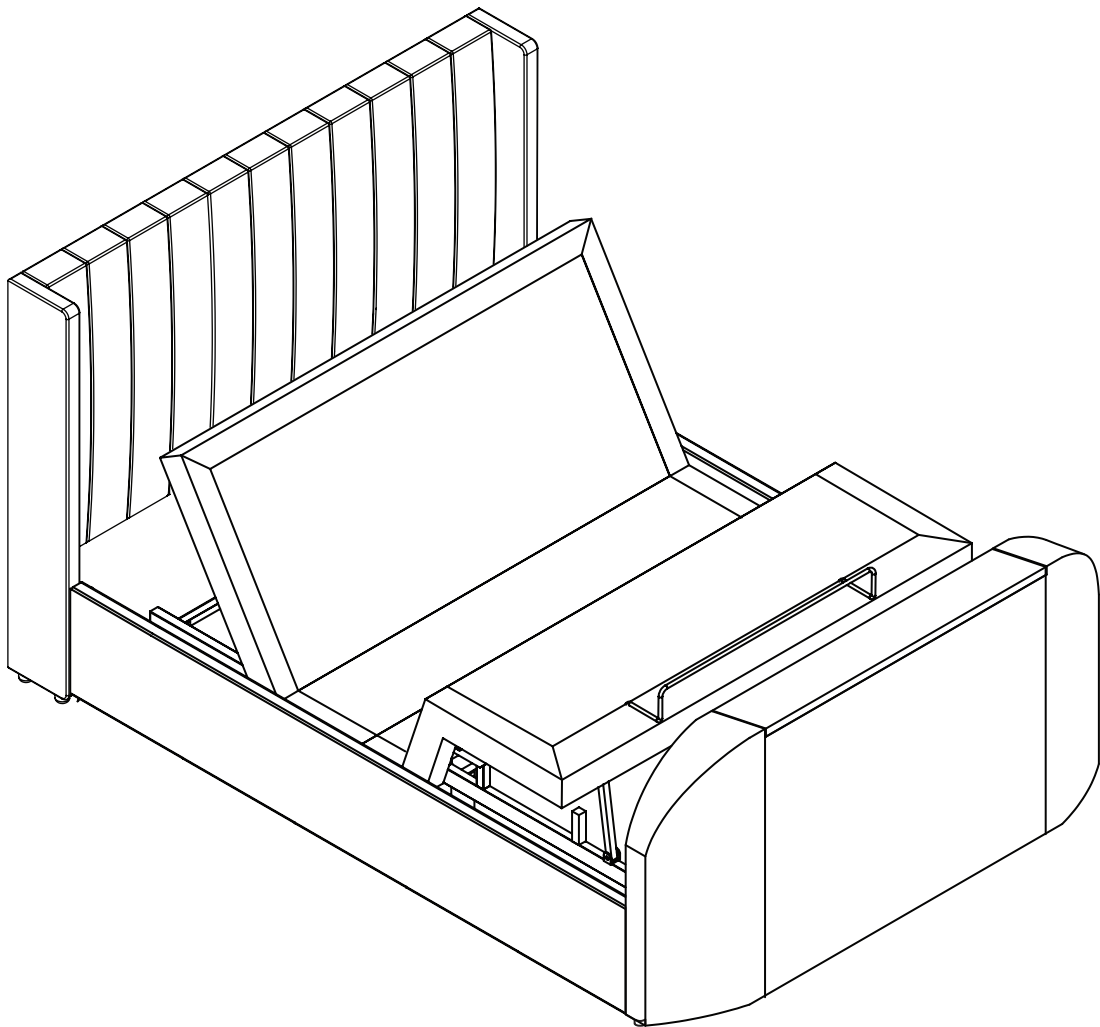


# Foley TV Bed

Sleepmotion Lifestyle



1.5 hour approx  
assembly time



Two person  
assembly

# Dreams

MK1 230916

# Thank You

Dear Customer, Thank you for choosing to purchase your bed from Dreams - we hope it brings you your best ever night's sleep. Before you begin building your bed, please take a moment to read through the instructions and make sure that you've got all the relevant parts listed on the following pages.



## Assembly tips

Before you begin, it's best to identify all parts and fittings to build your bed. We advise laying these out on the floor to check you have everything, and familiarising yourself before building.



## Top tip

We recommend that you build your new bed in the room you'd like it to be located - this will help prevent any risk of damage to your newly built bed whilst moving it.



## Safety and care

It's really important to ensure children and animals are kept away from the assembly area, as there are small components used in this bed which could present a choking hazard. All plastic and wrapping materials should also be kept away from children and animals to prevent any risk of suffocation. To keep your little ones busy, there is a colouring page inside the back cover.



## Help and support

At Dreams, it's our mission to give the whole nation a great night's sleep - this means that the quality of our products is of utmost importance to us. If there are any issues with your product or any missing parts, please contact our Help Centre on 0800 652 6750, where a member of our team will be happy to help. (For customers based in Northern Ireland, please call 028 9050 8300)



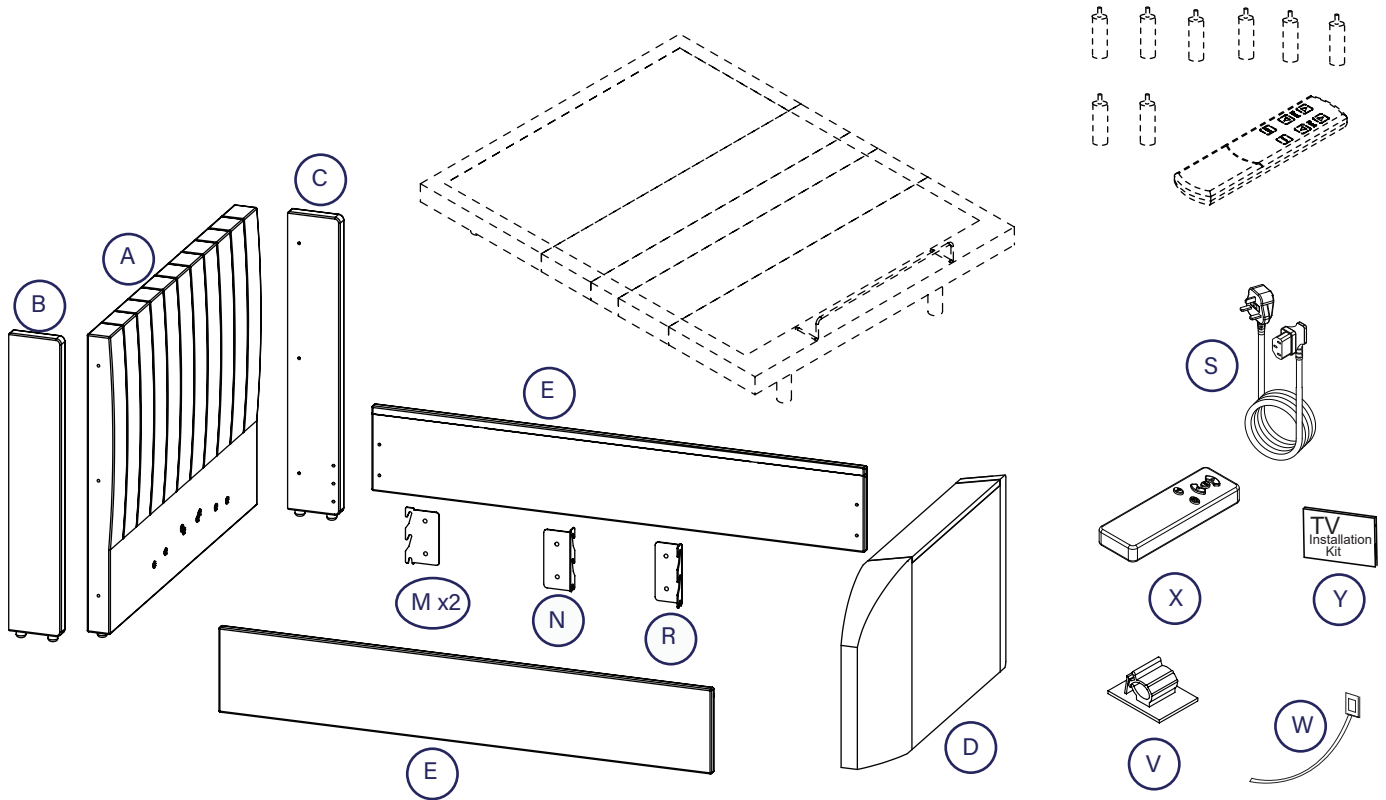
## Recycling

Please ensure that packaging is disposed of in a safe and environmentally friendly way, and recycle where possible. Our assembly instructions are printed on recycled paper. Please keep your assembly instructions safe to refer back to in the future.

# Parts

The bed you have purchased comes with a Sleepmotion 200i Lifestyle electric bed base.

Once the base is built, place it in the location where it shall be used then please follow the steps in this Assembly Instruction to build your bed-frame around the base disregarding the assembly guide packed inside Pack 3.



## Parts list

Code	Description	Qty	Box	Code	Description	Qty	Box
A.	Headboard	1	1	D.	Footboard	1	2
B.	LH Wing	1	1	E.	Side Rails	2	3
C.	RH Wing	1	1				

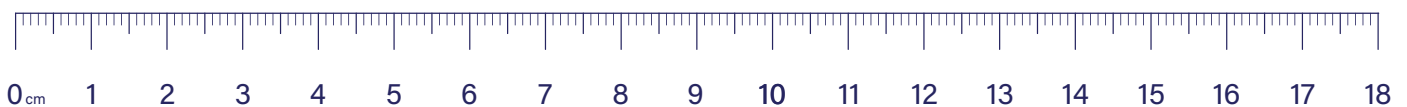


**PLEASE NOTE**



All these items are packed inside the accessory box, in footboard Pack (2).

Code	Description	Qty	Box	Code	Description	Qty	Box
M.	Flat Hook Bracket - Headend	2	2	V.	Cable Clip	8	2
N.	Angled Hook Bracket - Footend LH	1	2	W.	Cable Tie	5	2
R.	Angled Hook Bracket - Footend RH	1	2	X.	TV Lift Remote Control	1	2
S.	Mains Power Lead - 3.5 mt	1	2	Y.	TV Installation Kit	1	2



# Tools required

Please check you have these tools below

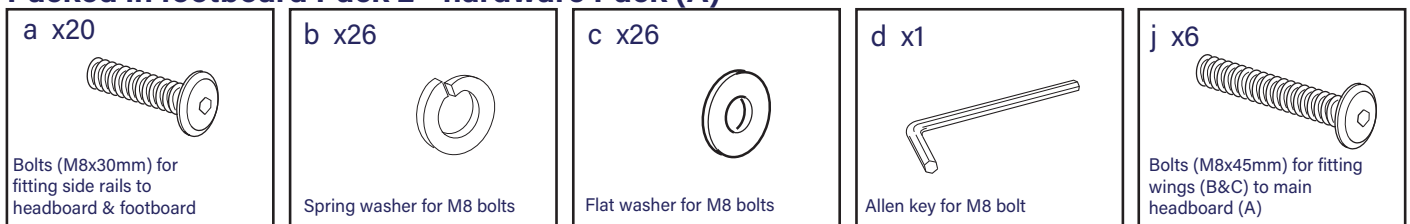


Tape  
measure

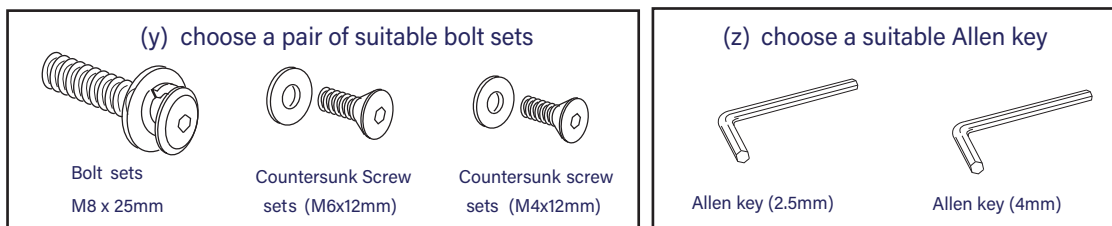
# Fittings

Please check you have all the parts listed below with your product:

## Hardware needed for assembly headboard and fitting side rails to headboard & footboard Packed in footboard Pack 2 - hardware Pack (A)



## Hardware needed for installation of the TV is packed in the accessory box in footboard Pack 2



# Important:




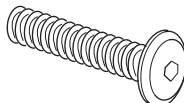


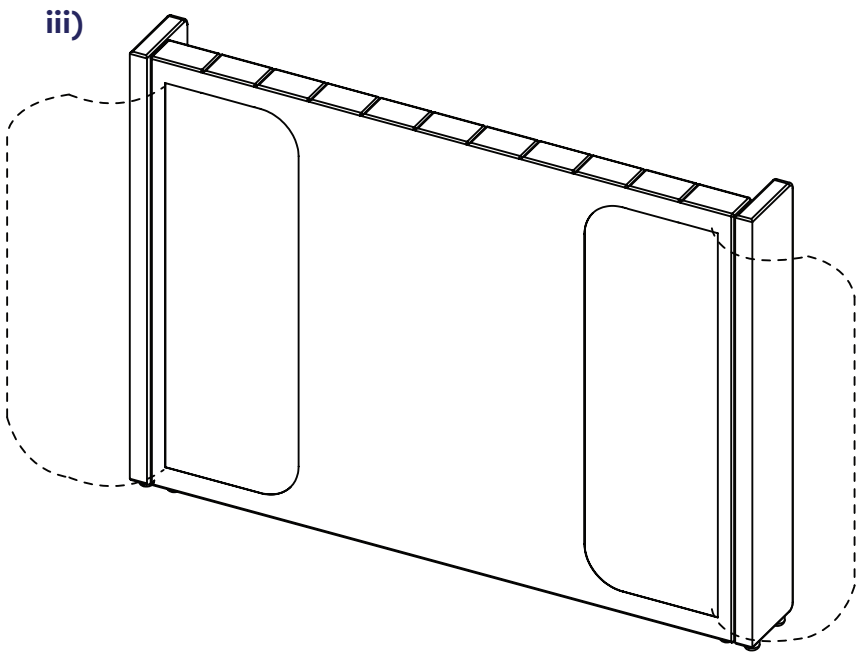
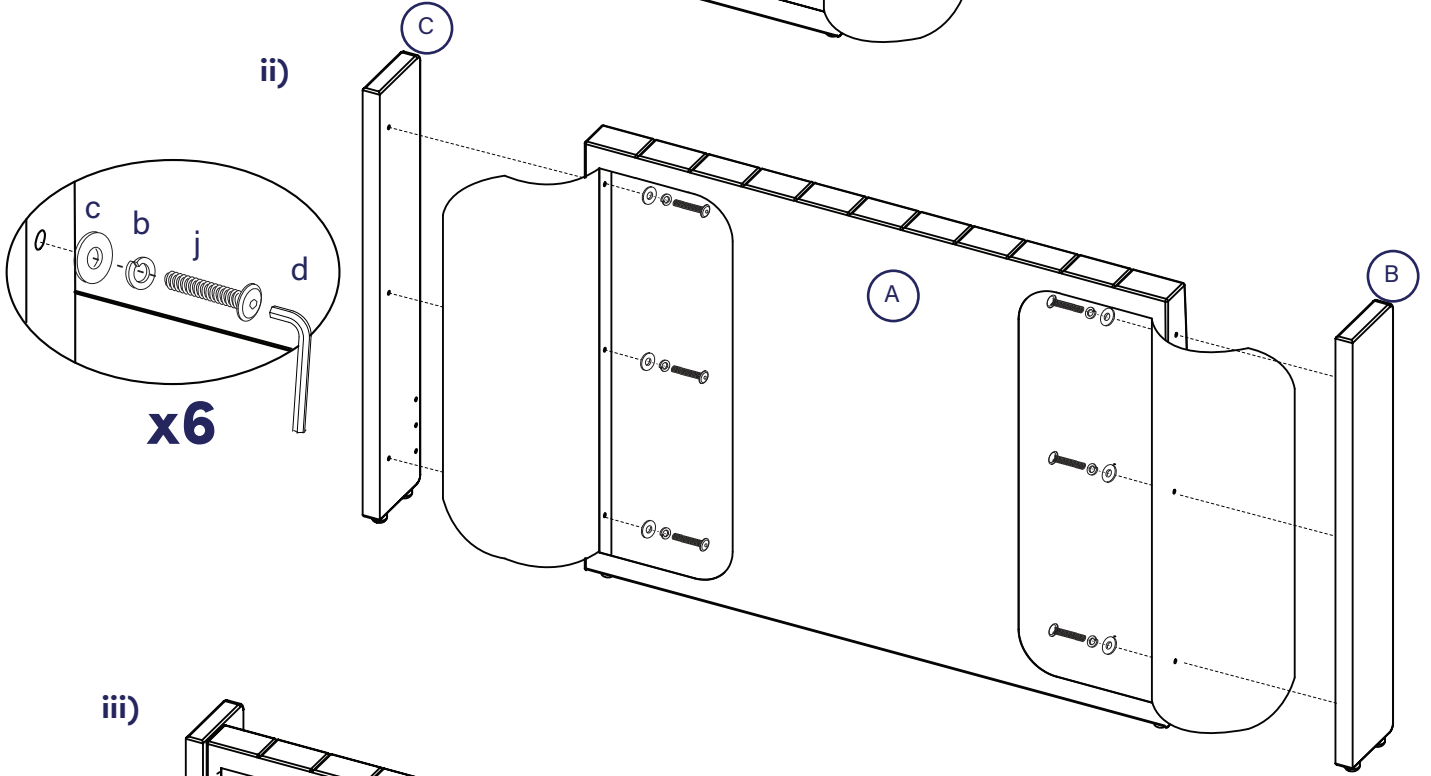
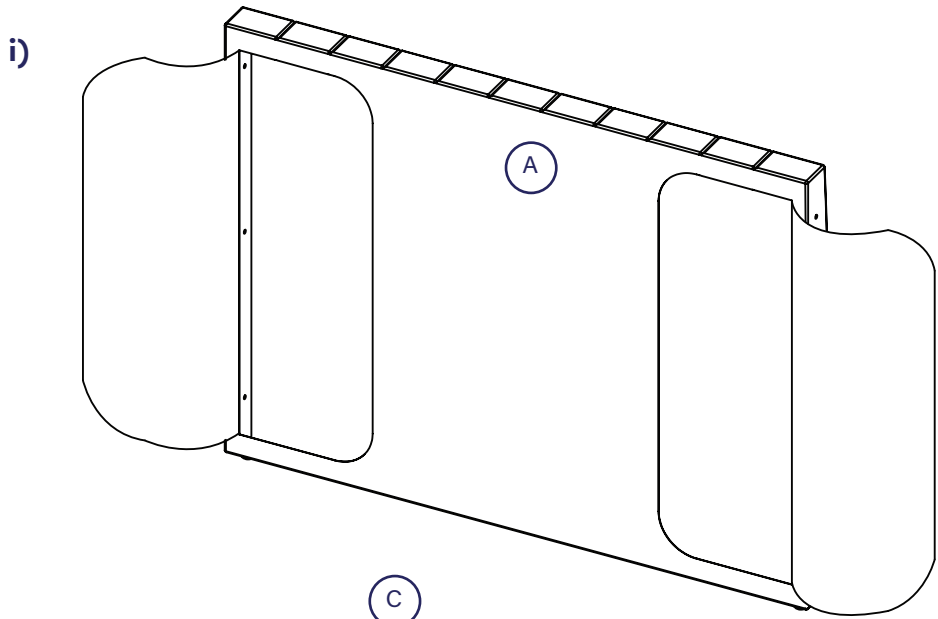
Before starting assembly please refer to the owners manual supplied with your sleepmotion 200i bed base and follow the instructions taking note of any safety precautions or operational safety requirements of the installation.

In the room where bed will be used, first prepare the bed base by fitting the eight long legs - 6" (15cm).

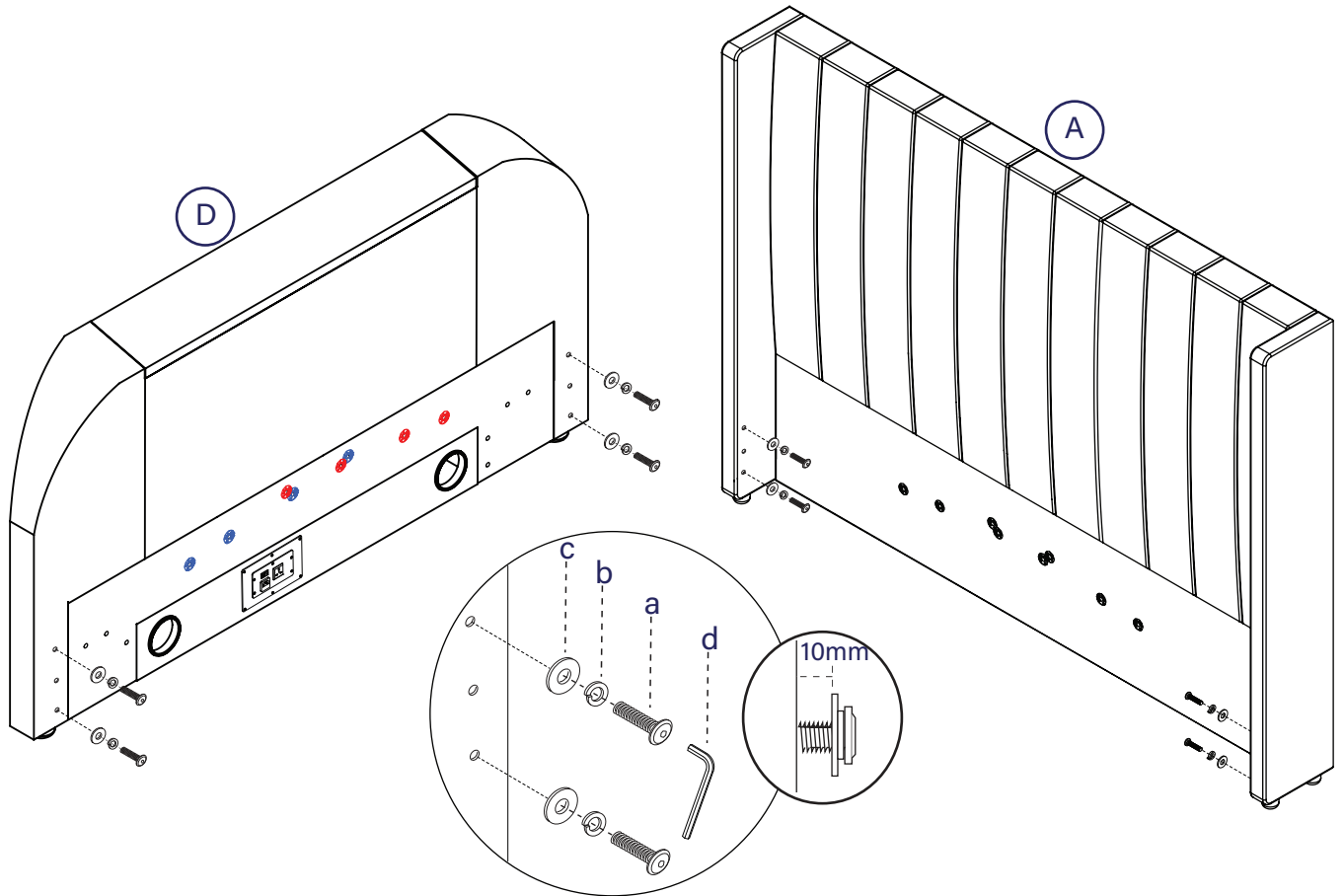
Connect the power and check the operation then step by step follow the bed assembly instructions below, to build the bedstead around the sleepmotion 200i bed base.

# 1 Fit the wings to the headboard

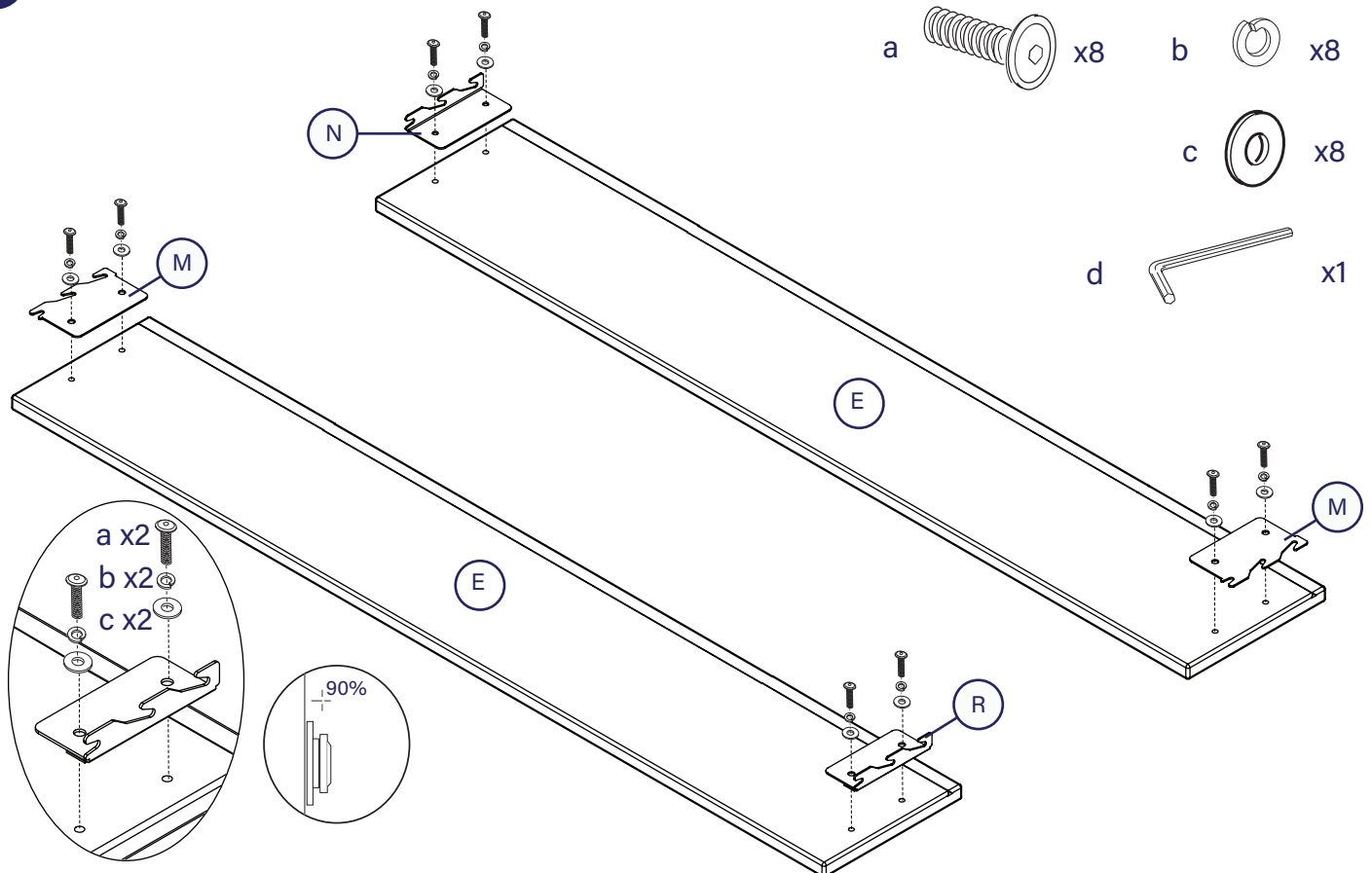
- b  x6
- c  x6
- d  x1
- j  x6



- 2 a  x8    b  x8    c  x8    d  x1

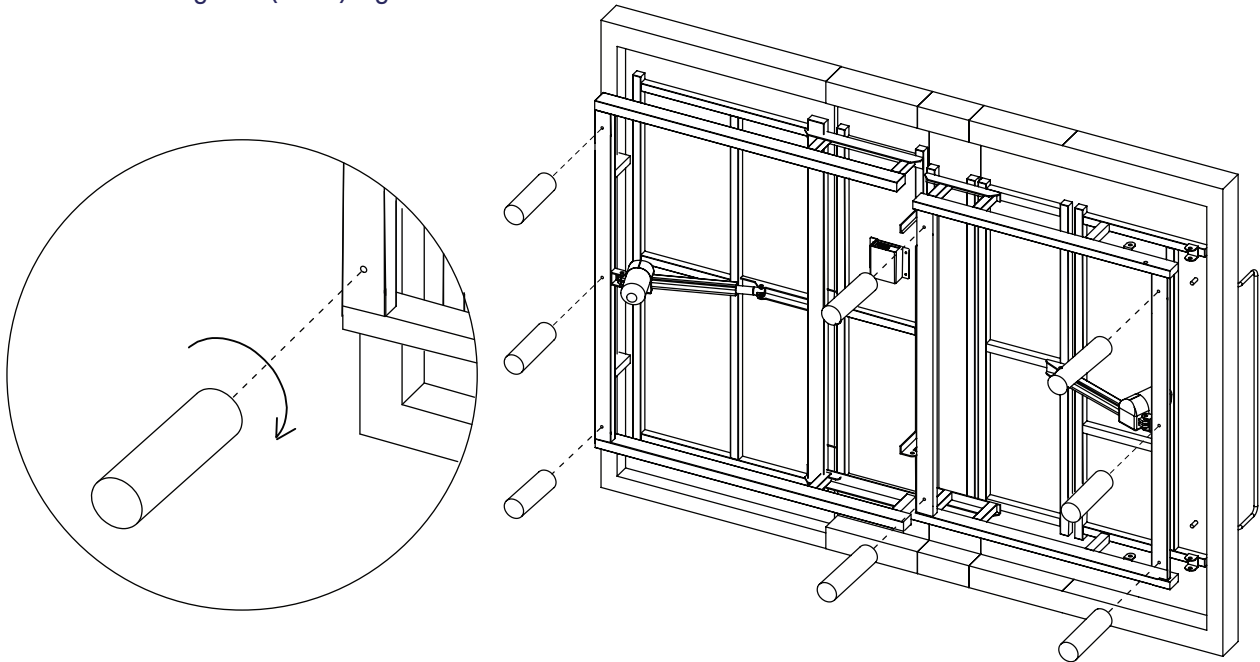


3 Fit brackets (M, N & R) to the side rails



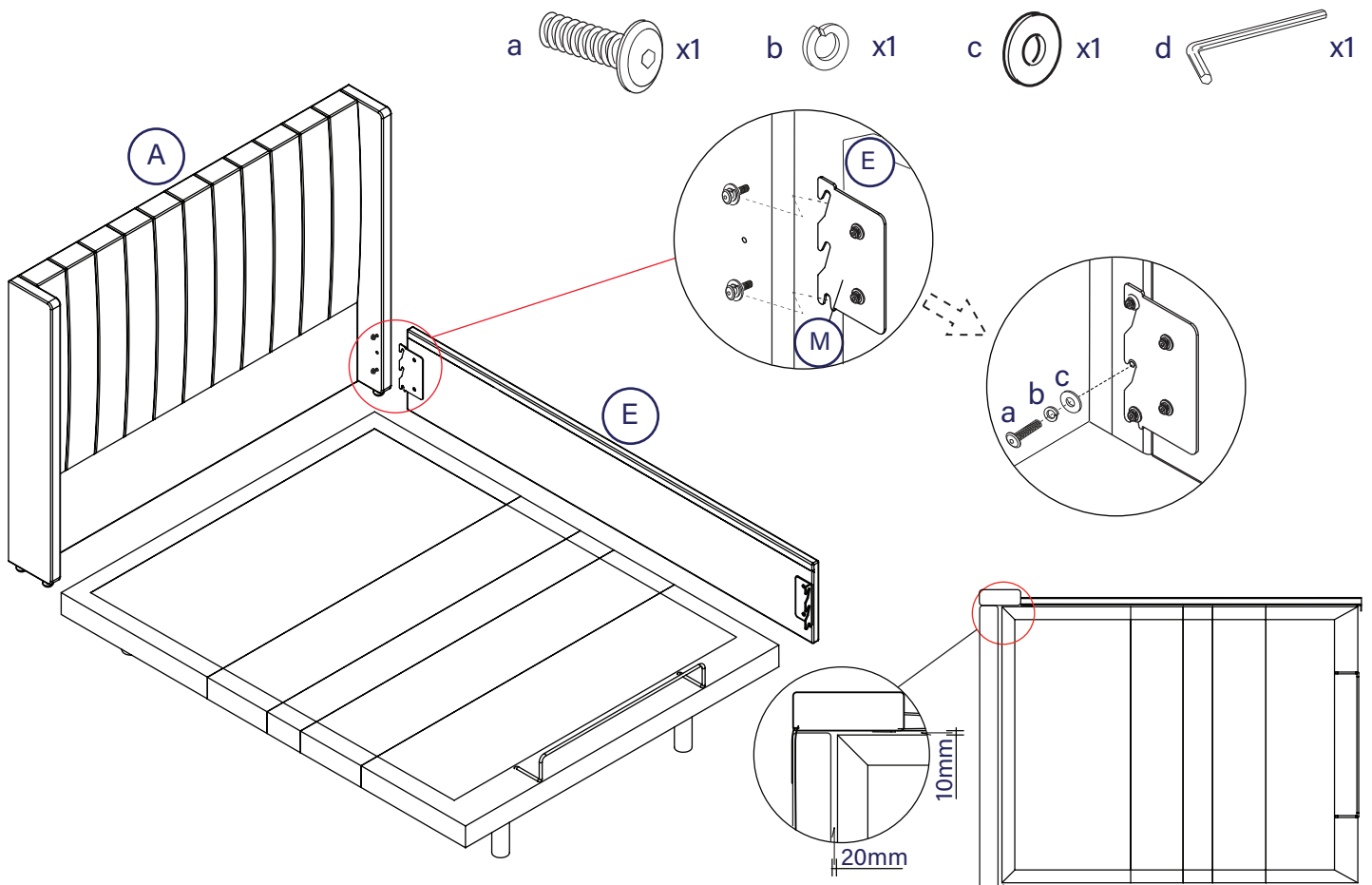
## 4 Assemble the bed frame around the bed base.

Screw in the eight 6" (15cm) legs as shown.

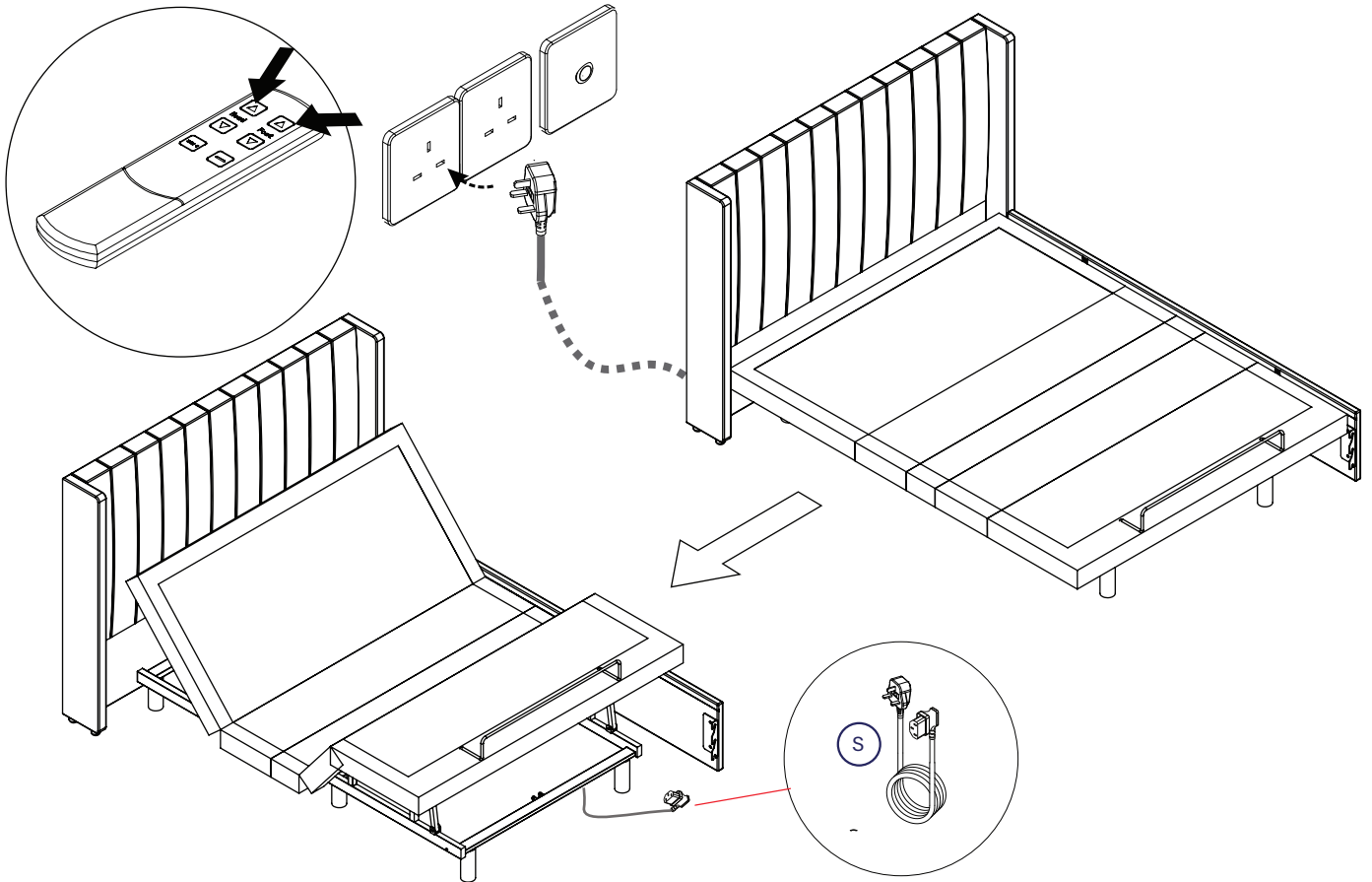


## 5 Position the bed base.

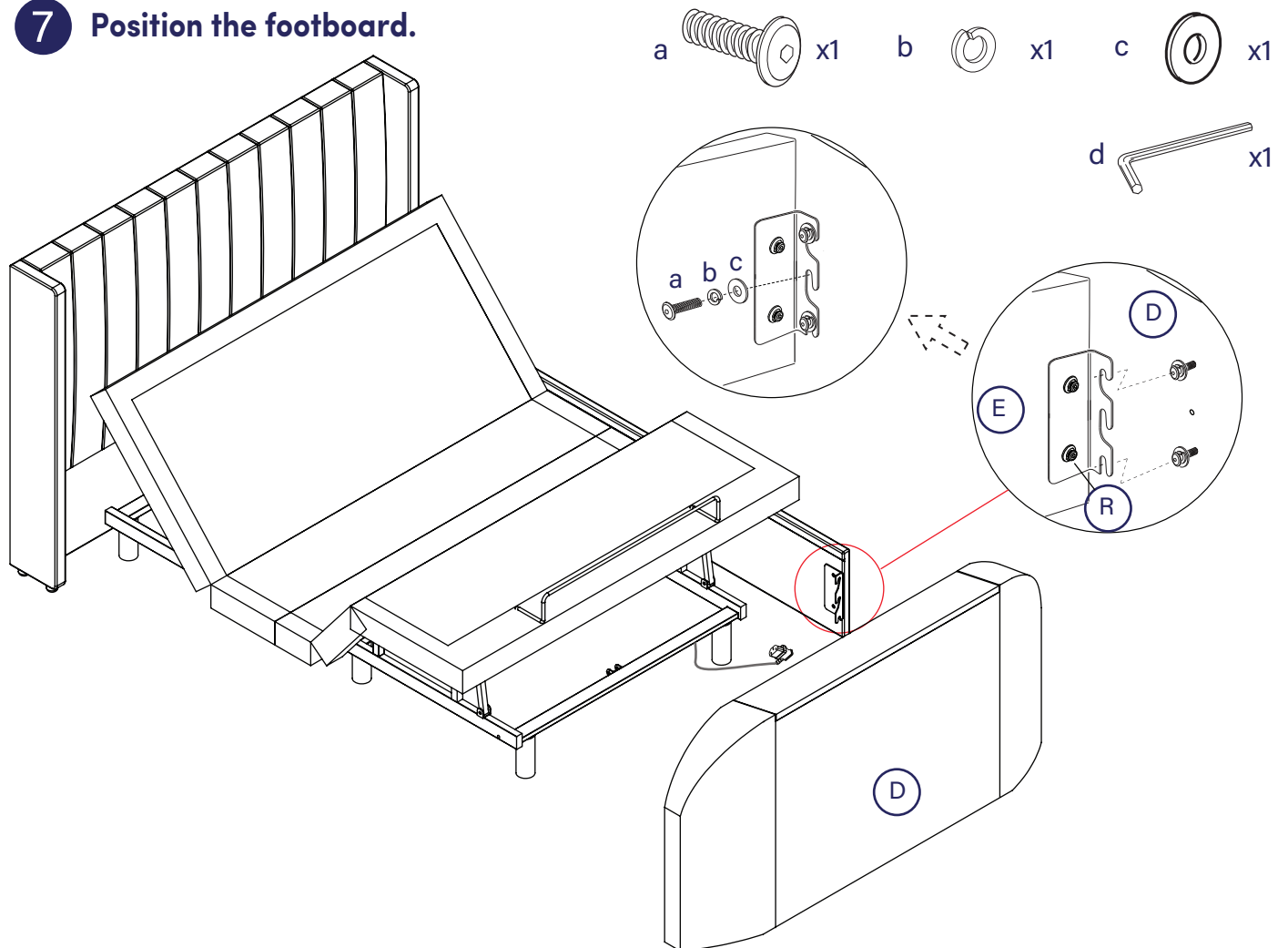
Place the headboard in the position in which it shall be used and attach the right hand side rail using hardware from pack (A). Making sure the bed base is correct way round, with mattress stopper at the foot end, carefully lift and place bed base into the corner between headboard and side rail as shown - it is heavy so please get help. Leave an gap around the perimeter, see sketch below right.



- 6** i Connect power lead for electric base to your wall socket - for safety this must be an earthed power supply.  
 ii. Raise the head and foot ends of the bed base using the remote control.

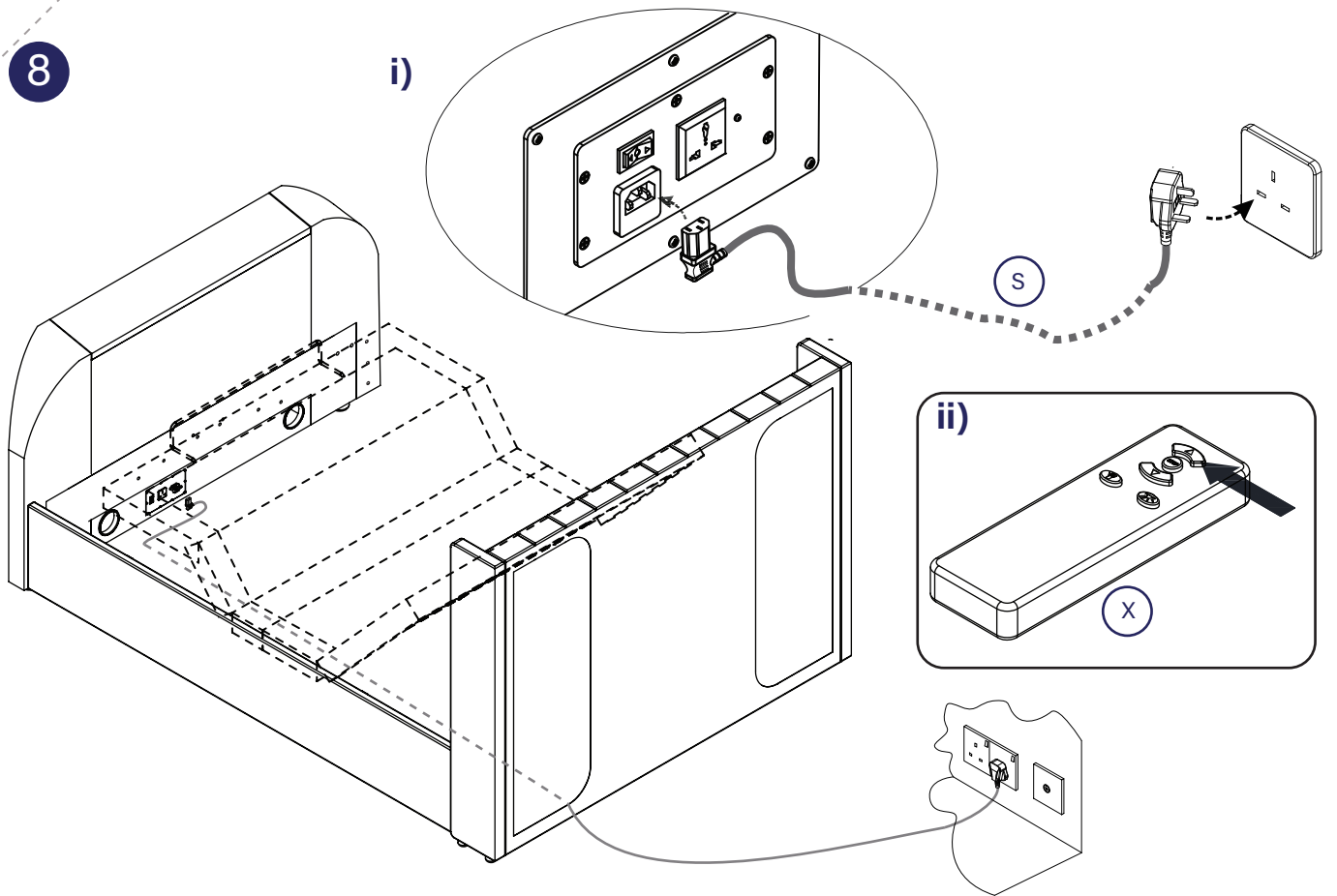


**7** Position the footboard.





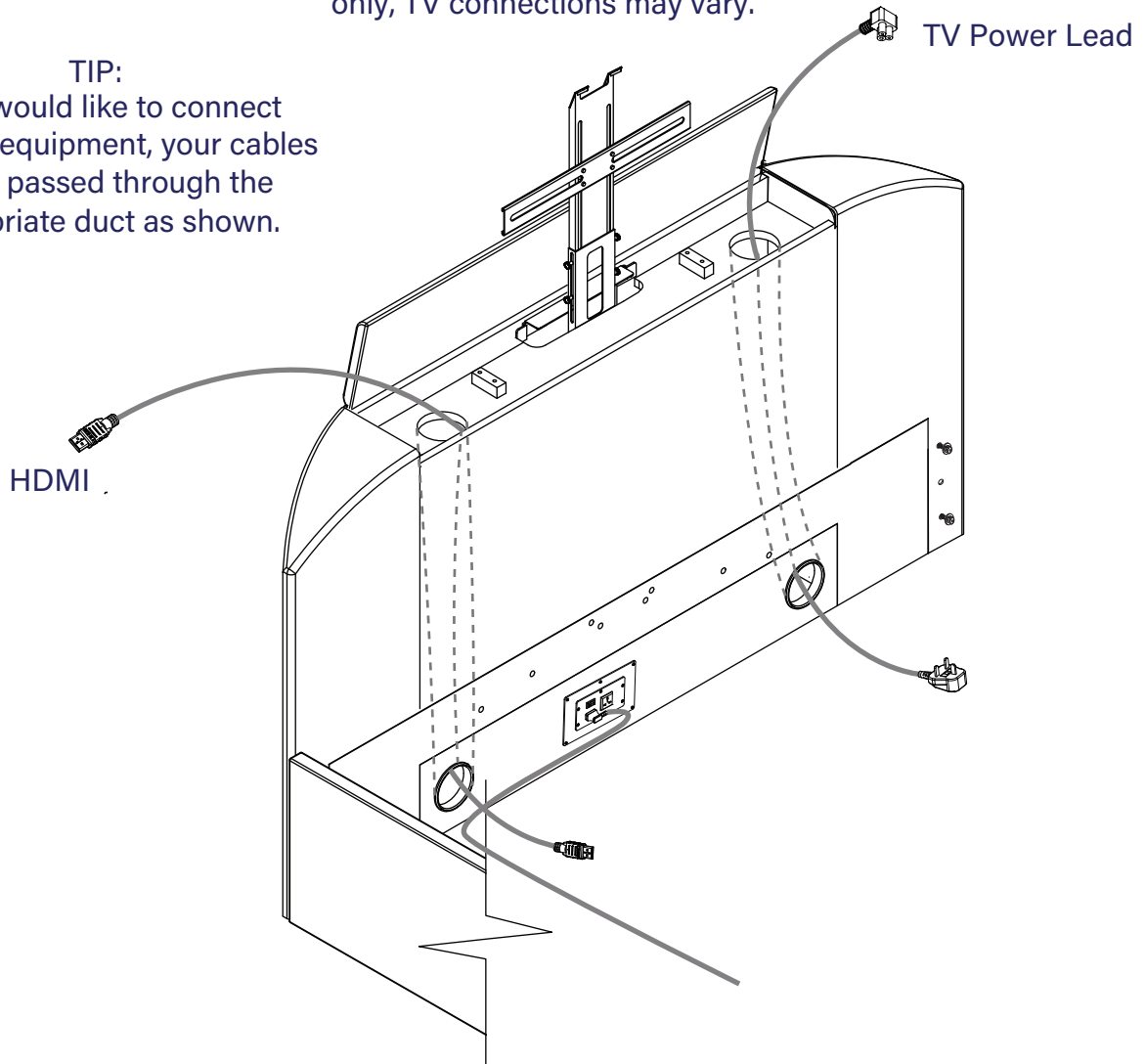
8



9

Note: For illustration purposes only, TV connections may vary.

TIP:  
If you would like to connect media equipment, your cables can be passed through the appropriate duct as shown.

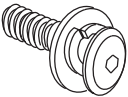
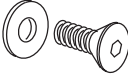
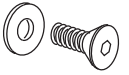
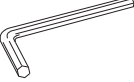
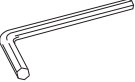


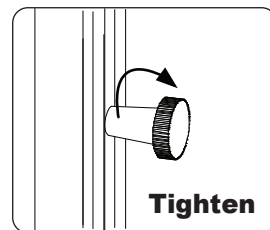
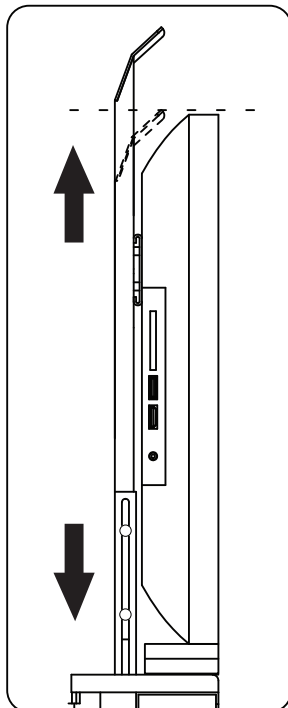
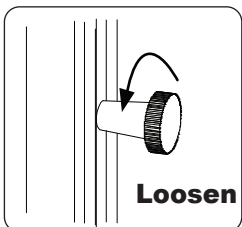
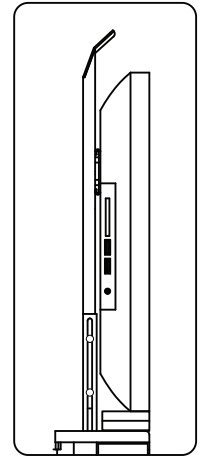
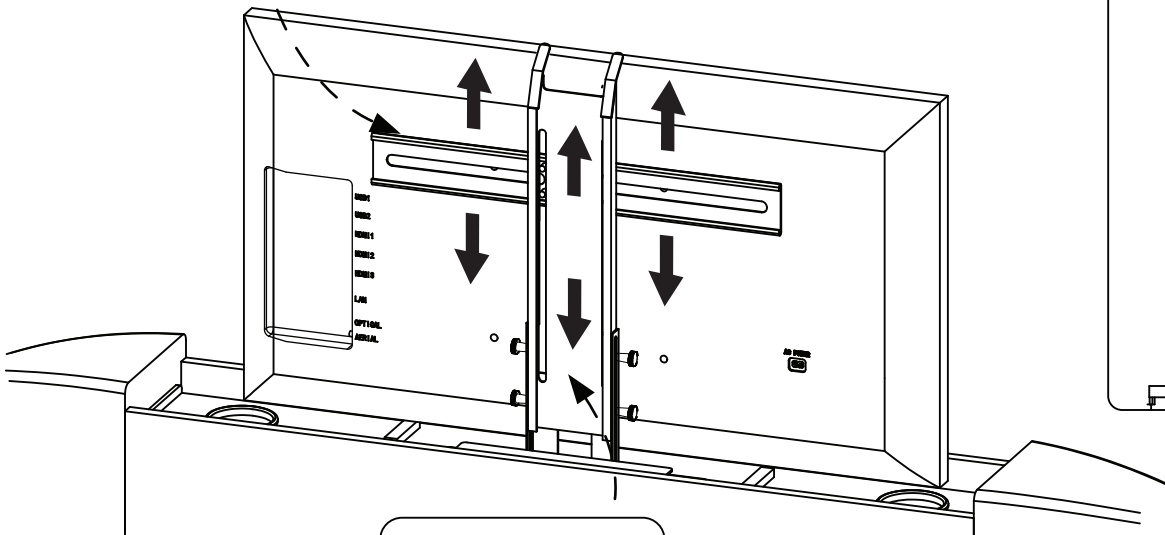
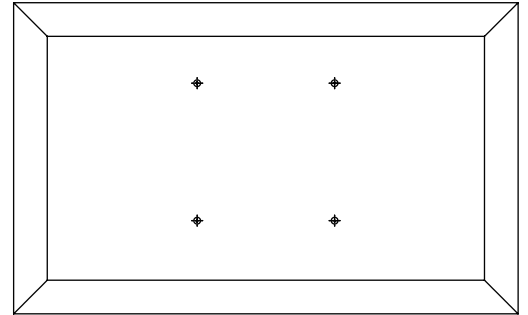
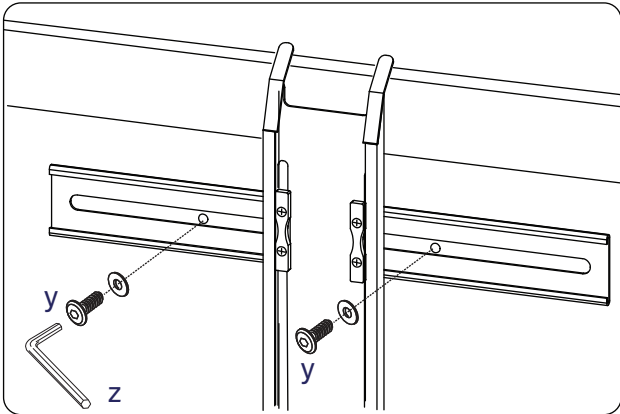
10

# TV Installation-Normal Vesa Fixing

IF SCREWS ARE SUPPLIED WITH TV, PLEASE USE THOSE IN PREFERENCE

### Choose a suitable set of hardware

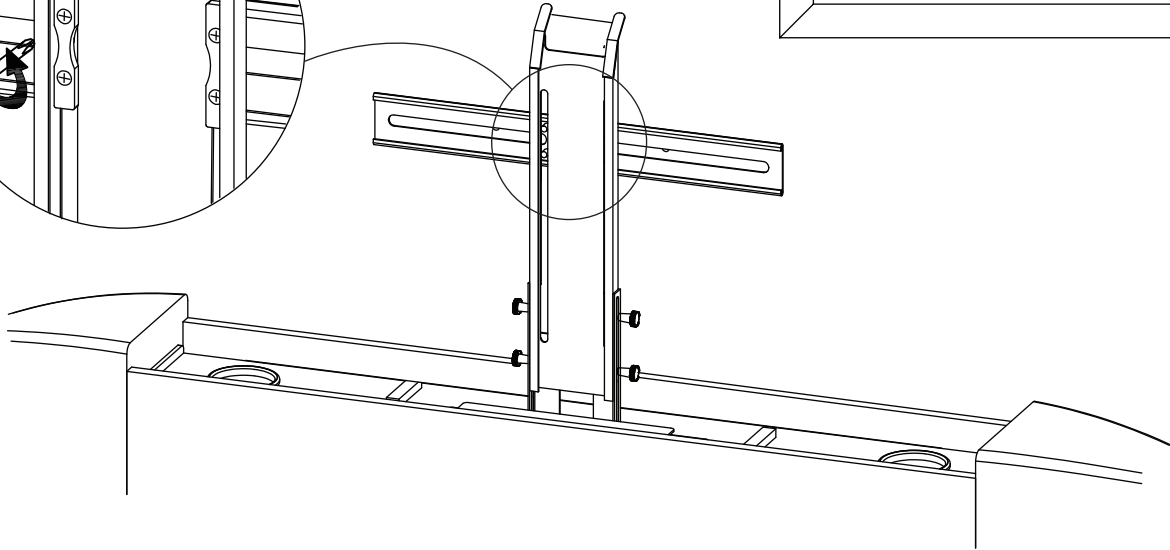
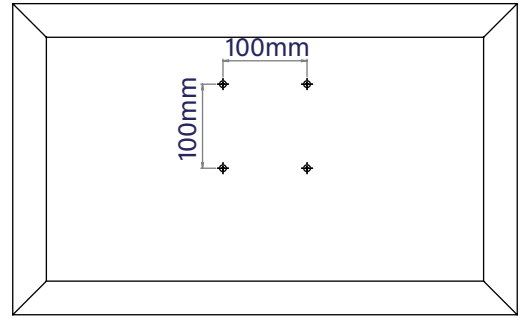
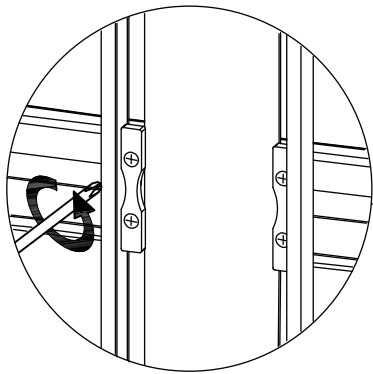
- y x2 Screw-Washer sets (M8x25mm) - Use 5mm Allen Key (D) 
- Counter-Sunk Screws (M6x12mm) 
- Counter-Sunk Screws (M4x12mm) 
- z x2 Allen Key (4mm) 
- Allen Key (2.5mm) 



11a

### TV Installation - 100 x 100 Vesa Fixing

Remove cross bracket and fit directly to back of the television.

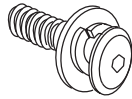


11b

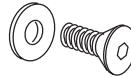
IF SCREWS ARE SUPPLIED WITH TV, PLEASE USE THOSE IN PREFERENCE

#### Choose a suitable set of hardware

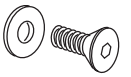
y x2 Screw-Washer sets (M8x25mm)  
Use 5mm Allen Key (D)



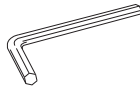
Counter-Sunk Screws (M6x12mm)



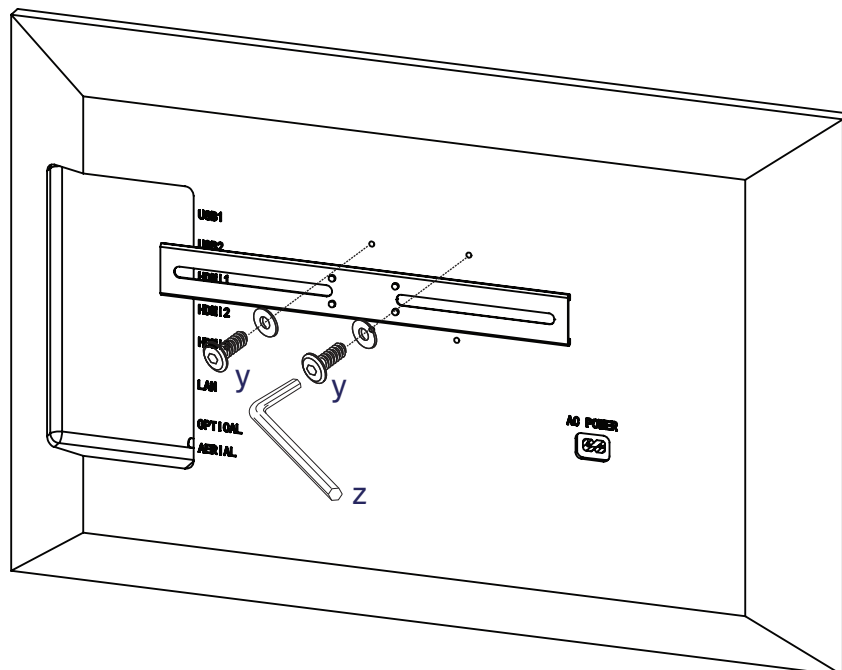
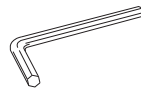
Counter-Sunk Screws (M4x12mm)

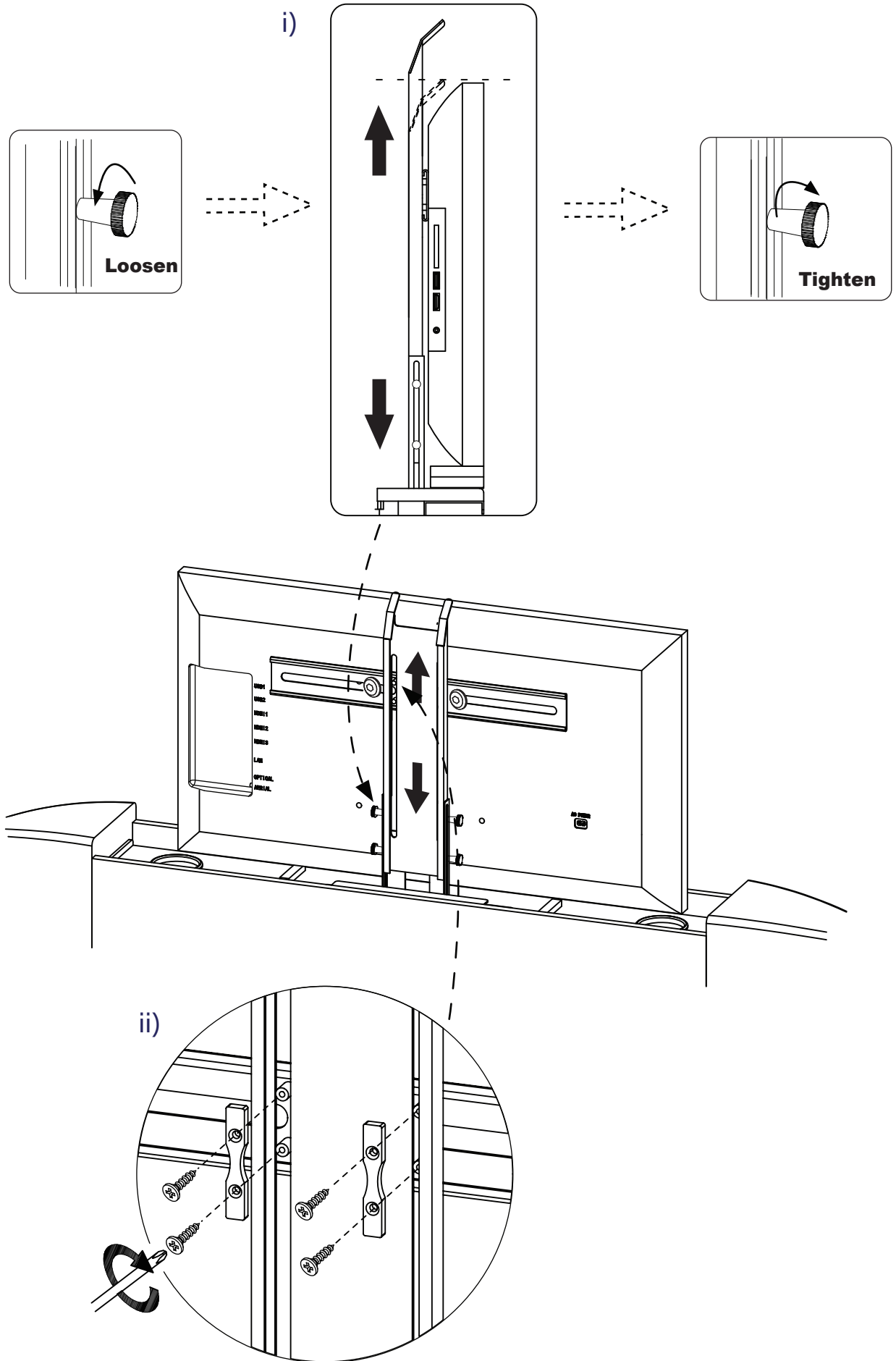


z x2 Allen Key (4mm)



Allen Key (2.5mm)

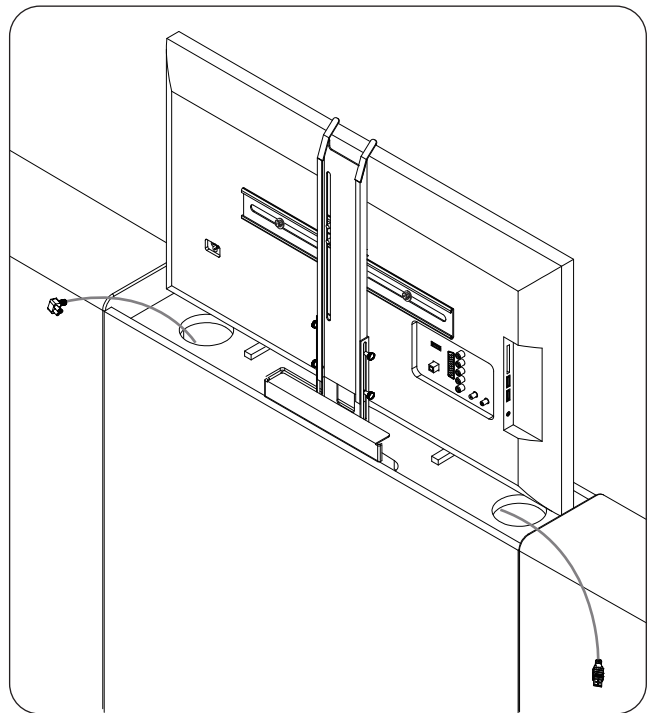
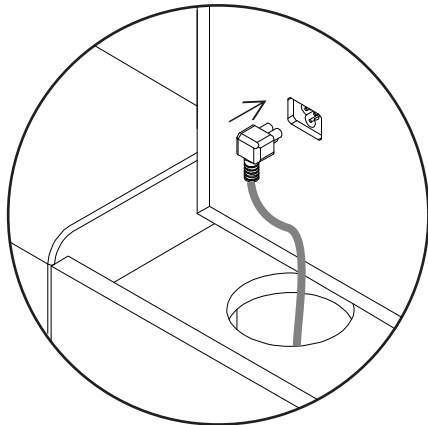




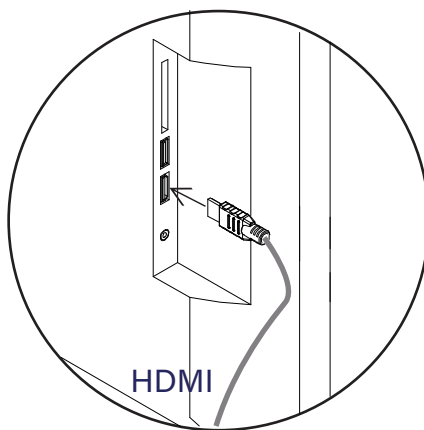
12

**Note: For illustration purposes only, TV connections may vary.**

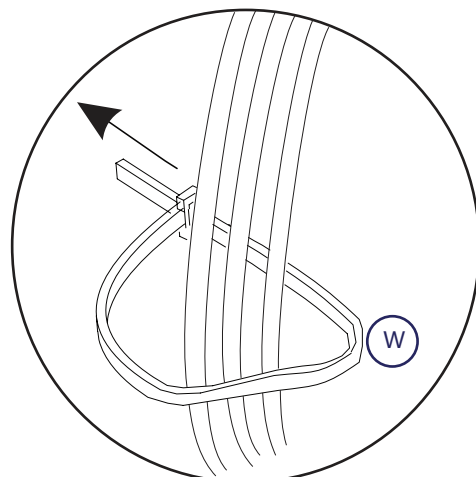
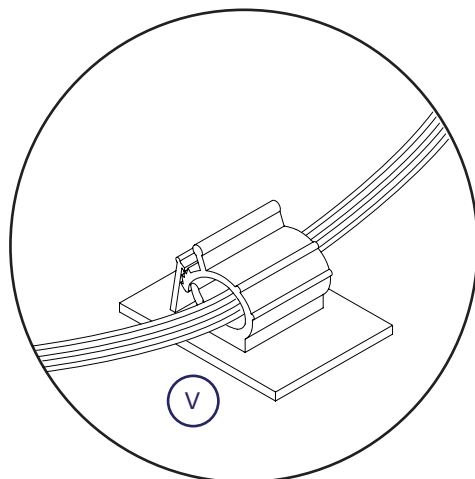
**TV Power Lead**



**To help fitting your own cables, this is shown for illustration only**



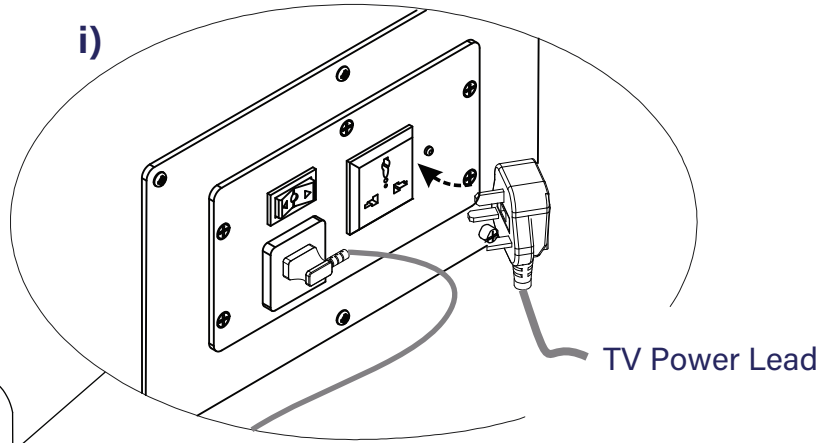
**PLUG IN - KEEP ALL CABLES TIGHT  
USE CLIPS & TIES PROVIDED.**



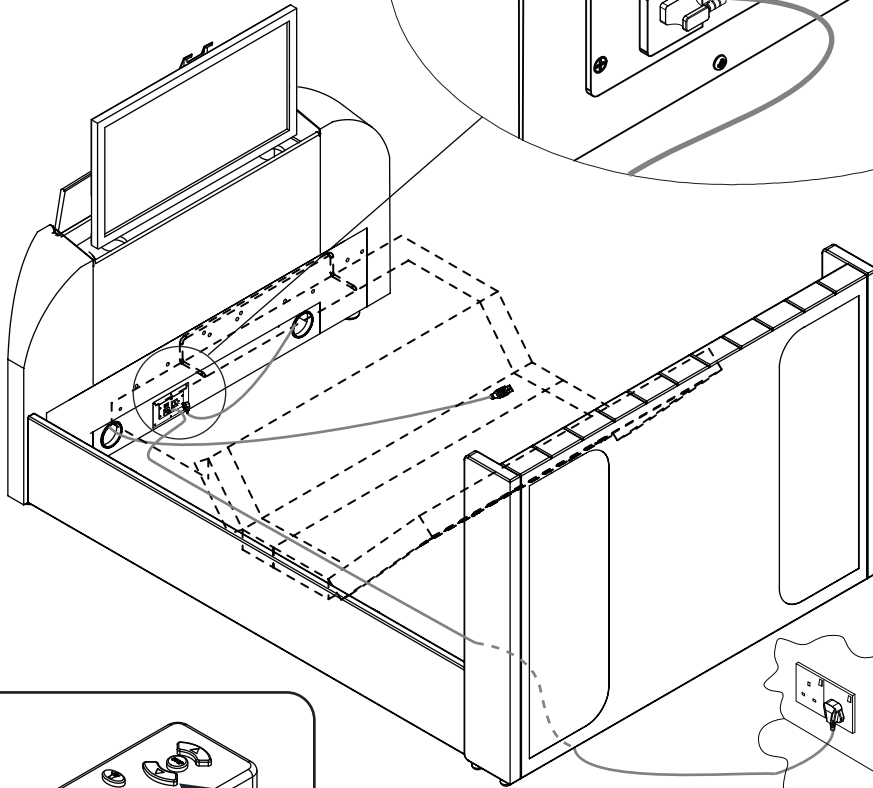
**Keep wires tight - peel  
off cover from cable clips  
& adhere to back of TV.**

13

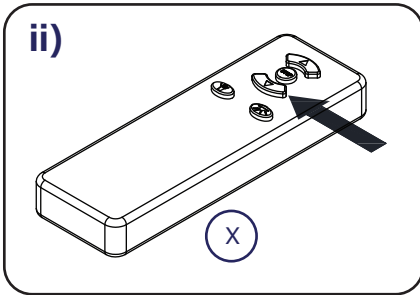
i)



TV Power Lead

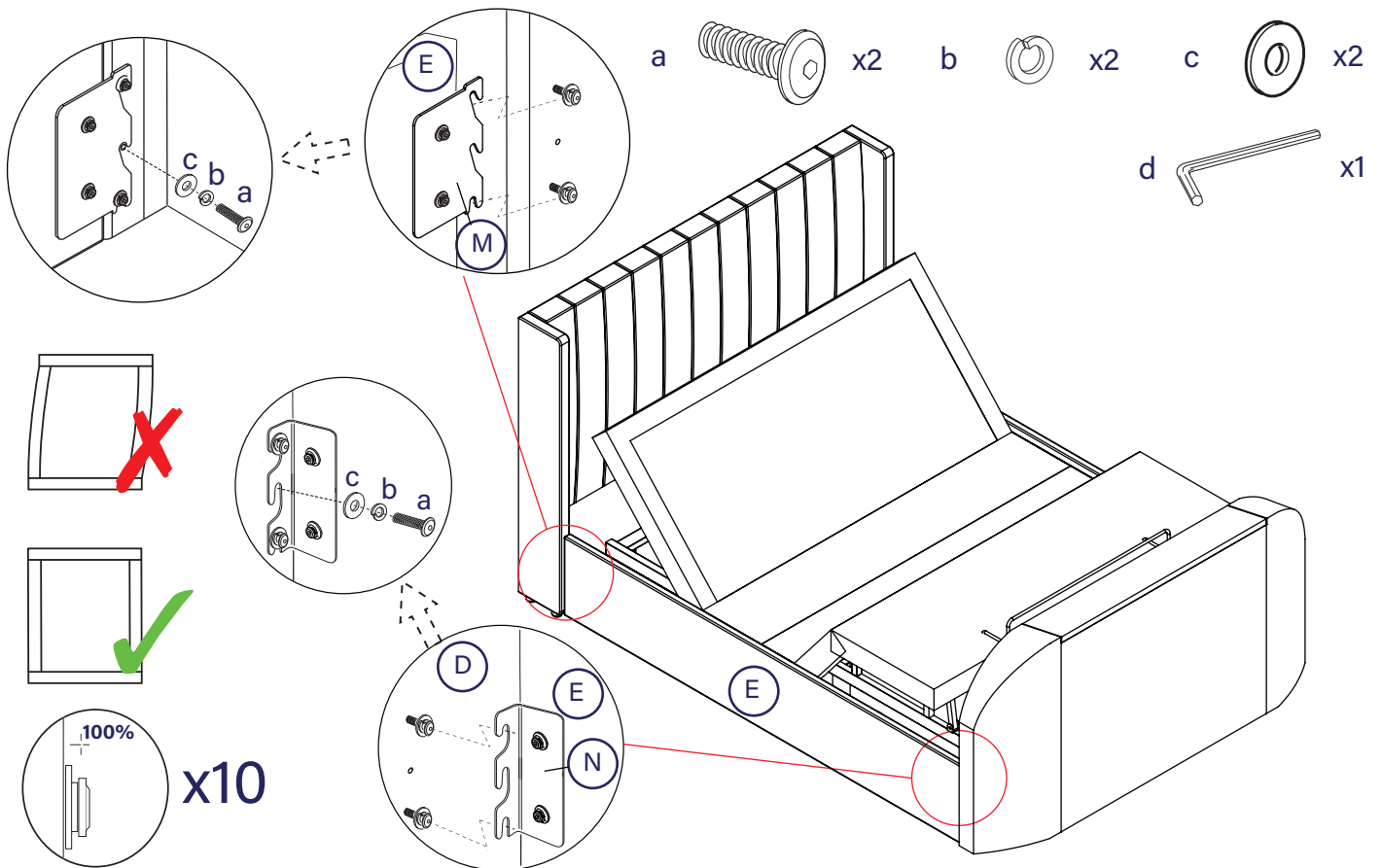


ii)

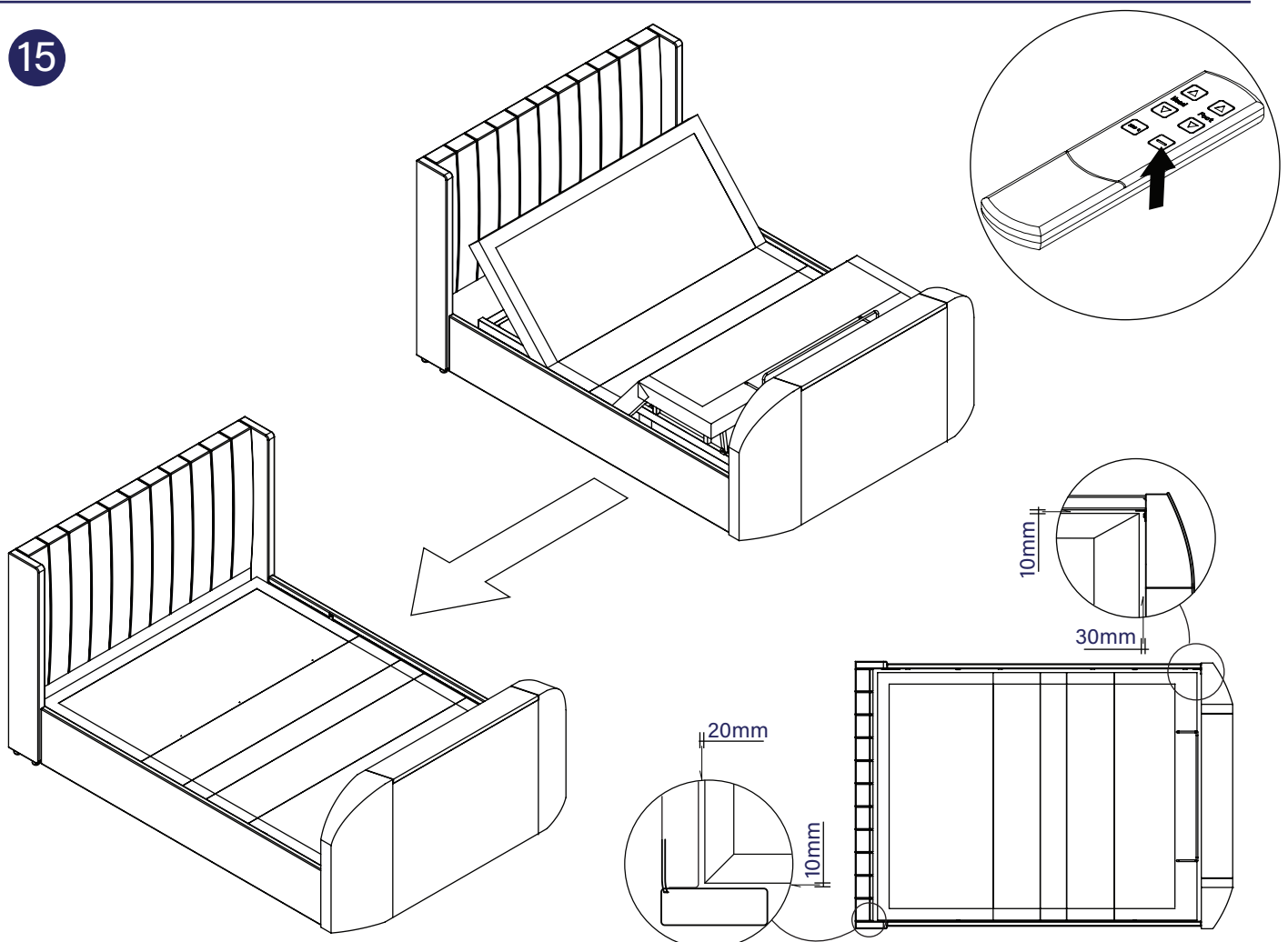


		<p>Press once and TV will rise to it's upper working position. Power to the TV will be connected automatically</p>
		<p>Press once and TV Lift will stop.</p>
		<p>Press once and TV will go down - as soon as the lower resting position is reached power to the TV is switched off to prevent it overheating.</p>
		<p>Torch</p>
		<p>Code Matching</p>
	<p><b>Code Matching (pairing):</b> occasionally pairing is lost, perhaps due to atmospheric conditions, To re-pair - press and hold the code matching button whilst connecting the power by plugging the mains cable into the control box of the TV lift on the base of the footboard. Continue to press the button for another 5 seconds then press the up or down button to successfully match the code.</p> <p>Regularly check the batteries and if necessary re-place them - x3 pcs AAA size.</p>	

**14** Make sure everything is working properly then fit the left hand side rail (E).



**15**



## Technical Specifications

Max TV Size: 975 x 575 x 85 (WHDmm)

### Overall Dimensions (LWH mm)

Double: 2245 x 1470 x 1185

King: 2345 x 1620 x 1185

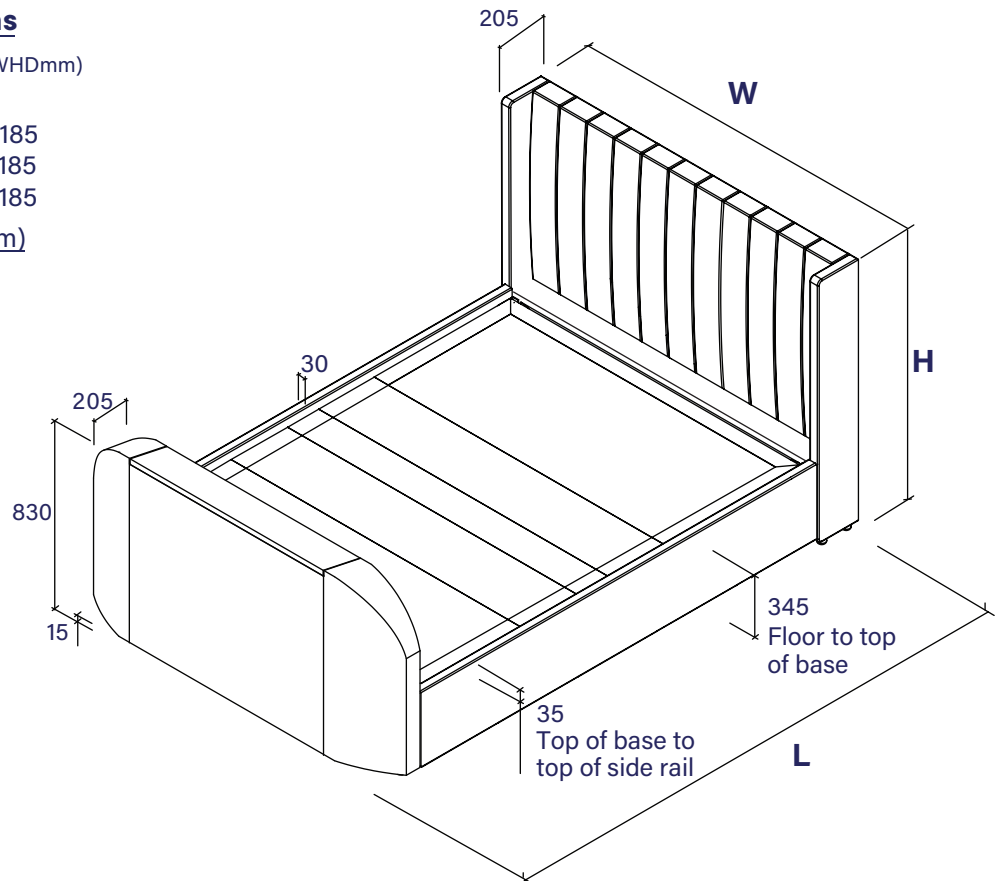
Super King: 2345 x 1920 x 1185

### Internal Dimensions (LWH mm)

Double: 1930 x 1380

King: 2030 x 1530

Super King: 2030 x 1830



## Care and maintenance

Here are some tips to keep your new bed in tip-top condition



### Cleaning

To clean your new bed, we'd advise using a warm damp cloth or if fabric, remove dust using a low suction vacuum cleaner. Please do not use abrasive chemicals or bleach as this may damage the product.



### Checking and moving

Periodically we recommend you check that the screws or fixtures haven't become loose over time. To move your new bed, we recommend lifting it where possible, as dragging or pushing it could cause damage to the legs or flooring.



### Wood

Please note each of our wooden pieces are unique, meaning that markings and shade can vary slightly between beds. Over a period of time, the wood might lighten or fade slightly due to light exposure.



### Fabric

Please note depending on the lighting, positioning and surroundings of your room, the shade of the colour can sometimes appear slightly different. Over a period of time, the colour might lighten or fade slightly due to light exposure.



### Metal

Metal tends to be more resilient to everyday wear and tear. We recommend to gently dust your metal furniture and keep it dry to maintain its look.

**Thank you for shopping with us - we hope you have a great night's sleep.**

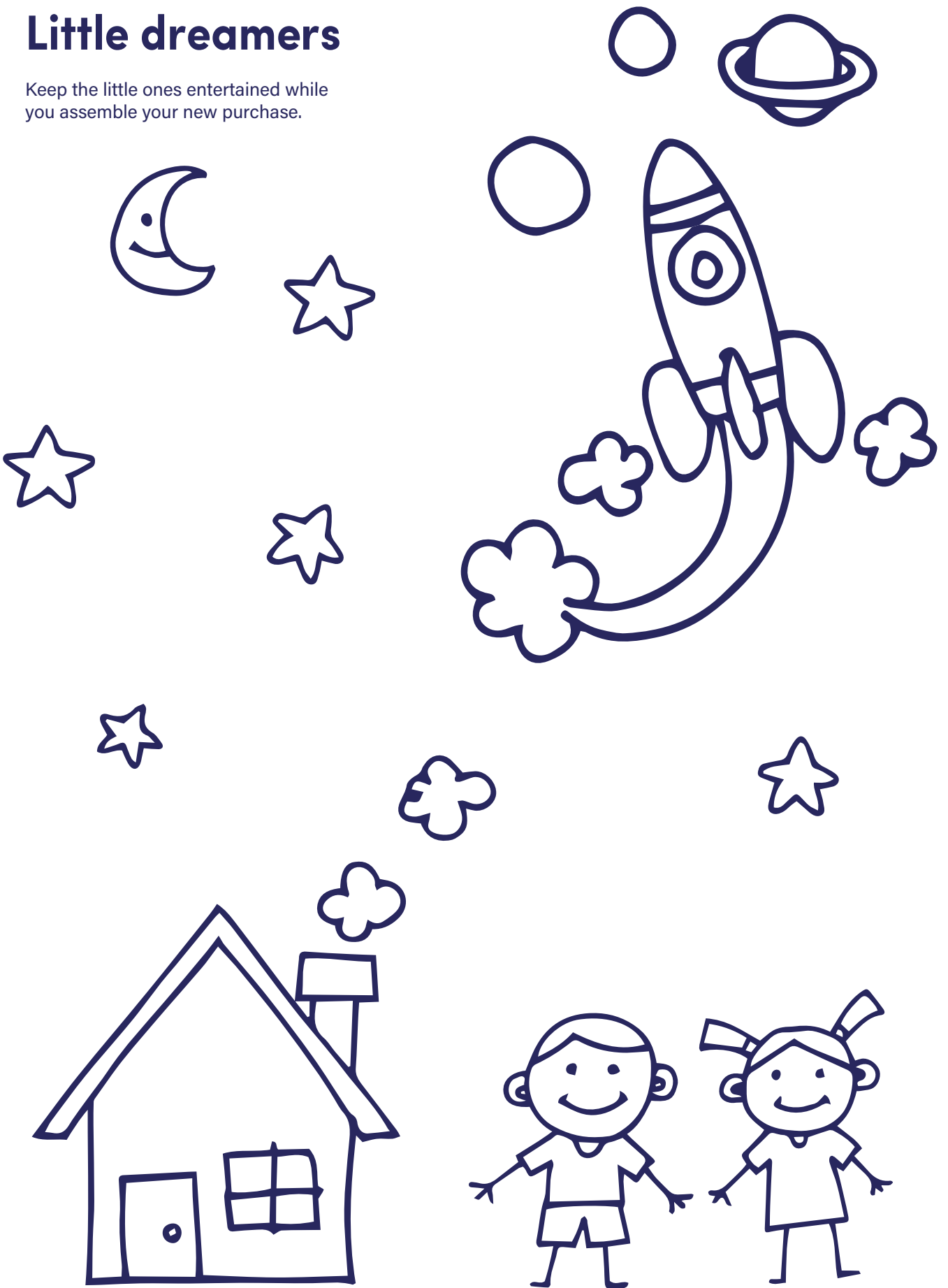
*Sleep well*





# Little dreamers

Keep the little ones entertained while you assemble your new purchase.



# Dreams