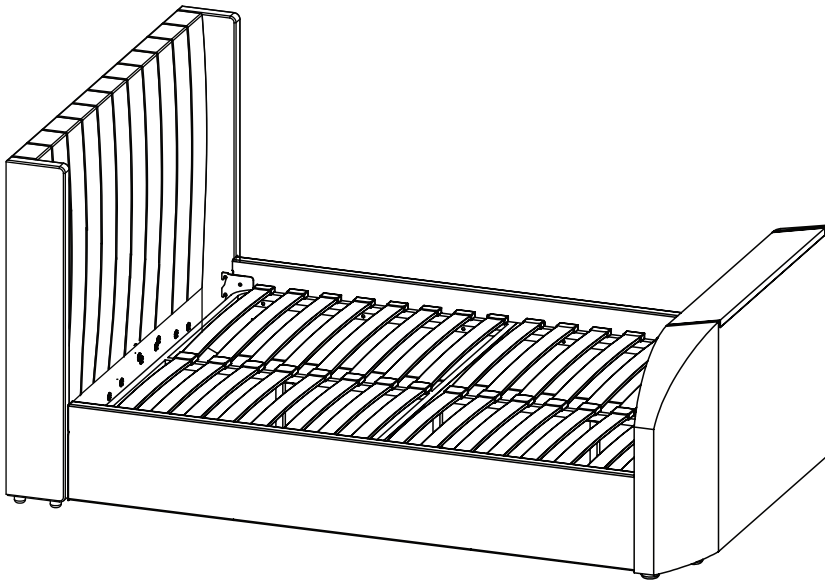
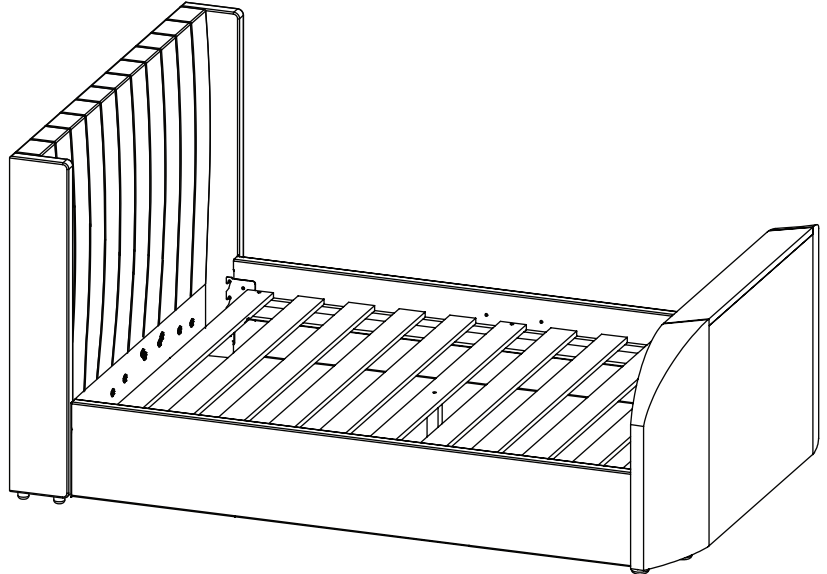


Foley TV Bed Frame



PLEASE TAKE A MOMENT TO CAREFULLY READ THIS ASSEMBLY INSTRUCTION

THIS GUIDE SHOWS STEP BY STEP, THE BEST WAY TO ASSEMBLE THE STANDARD BED.

IF YOU HAVE PURCHASED THE OTTOMAN UPGRADE, PLEASE USE THE AI PACKED IN THE OTTOMAN PACK 4.



1.5 hour approx
assembly time



Two person
assembly

Dreams

Thank You

Dear Customer, Thank you for choosing to purchase your bed from Dreams - we hope it brings you your best ever night's sleep. Before you begin building your bed, please take a moment to read through the instructions and make sure that you've got all the relevant parts listed on the following pages.



Assembly tips

Before you begin, it's best to identify all parts and fittings to build your bed. We advise laying these out on the floor to check you have everything, and familiarising yourself before building.



Top tip

We recommend that you build your new bed in the room you'd like it to be located - this will help prevent any risk of damage to your newly built bed whilst moving it.



Safety and care

It's really important to ensure children and animals are kept away from the assembly area, as there are small components used in this bed which could present a choking hazard. All plastic and wrapping materials should also be kept away from children and animals to prevent any risk of suffocation. To keep your little ones busy, there is a colouring page inside the back cover.



Help and support

At Dreams, it's our mission to give the whole nation a great night's sleep - this means that the quality of our products is of utmost importance to us. If there are any issues with your product or any missing parts, please contact our Help Centre on 0800 652 6750, where a member of our team will be happy to help. (For customers based in Northern Ireland, please call 028 9050 8300)



Recycling

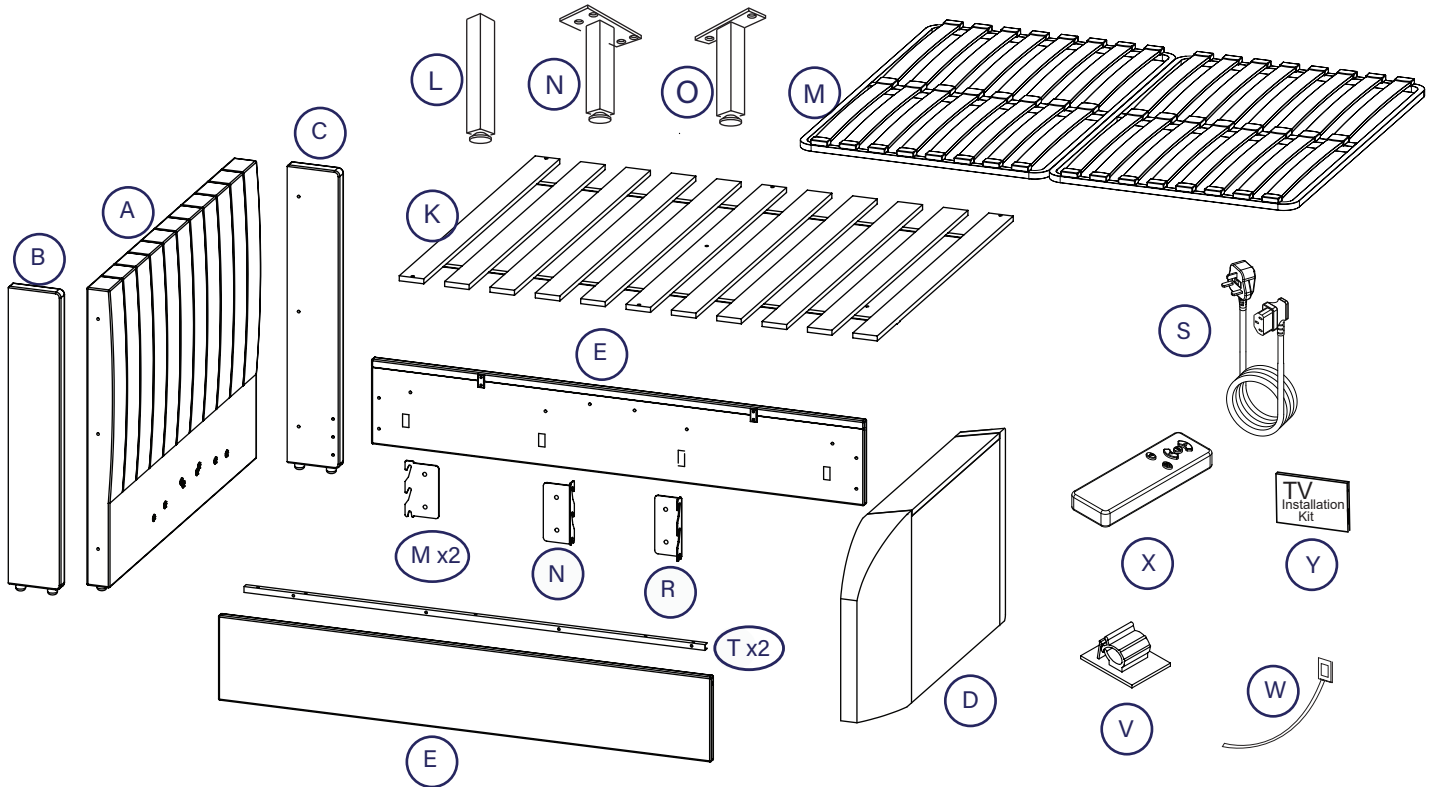
Please ensure that packaging is disposed of in a safe and environmentally friendly way, and recycle where possible. Our assembly instructions are printed on recycled paper. Please keep your assembly instructions safe to refer back to in the future.

Parts

Important information

The bed you have purchased comes with 3 different base options; Solid wood slats, Sprung slats and an Ottoman storage upgrade. Please identify which base you have purchased as the assembly method will change.

If you have purchased solid or sprung slats please follow the instructions below in the current order. If you have purchased an ottoman upgrade, please disregard these instructions and use the AI that you will find inside Ottoman Pack 4.



Parts list

Standard wooden slat set part (K) -OR- Upgraded sprung slat frame part (M);
 Note: only one or the other shall be supplied as selected at time of purchase

Code	Description	Qty	Box
A.	Headboard	1	1
B.	LH Wing	1	1
C.	RH Wing	1	1
D.	Footboard	1	2
E.	Side Rails	2	3
T.	Metal Slat Support Rails	2	3
L.	Wooden Slat Set Support Leg	1	3

Supplied Separately		Qty
Code	Description	
K.	Wooden Slat Set	1
M.	*Upgraded Sprung Slat Frame*	1
N.	*Sprung Slat Frame Centre Support Leg*	1
O.	*Sprung Slat Frame Outer Support leg*	2



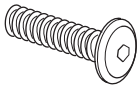


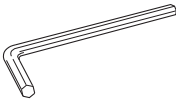
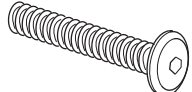
All these items are packed inside the accessory box, in footboard Pack (2).

Code	Description	Qty	Box	Code	Description	Qty	Box
M.	Flat Hook Bracket - Headend	2	2	V.	Cable Clip	8	2
N.	Angled Hook Bracket - Footend LH	1	2	W.	Cable Tie	5	2
R.	Angled Hook Bracket - Footend RH	1	2	X.	TV Lift Remote Control	1	2
S.	Mains Power Lead - 3.5 mt	1	2	Y.	TV Installation Kit	1	2




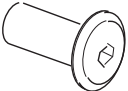


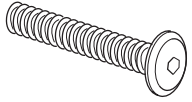


Fittings

Please check you have all the parts listed below with your product:

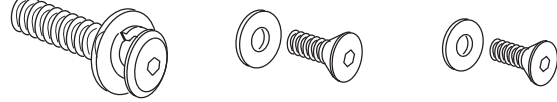

Hardware needed for assembling headboard and fitting side rails to headboard & footboard Packed in footboard Pack 2 - hardware Pack (A)

<p>a x20</p>  <p>Bolts (M8x30mm) for fitting side rails to headboard & footboard</p>	<p>b x26</p>  <p>Spring washer for M8 bolts</p>	<p>c x26</p>  <p>Flat washer for M8 bolts</p>	<p>d x1</p>  <p>Allen key for M8 bolt</p>	<p>j x6</p>  <p>Bolts (M8x45mm) for fitting wings (B&C) to main headboard (A)</p>
---	--	--	---	--

Hardware needed for fitting support rails (AA) to side rails & cushion blocks (AB) to metal slat support rails Packed in side rail Pack 3 - hardware pack (B) (please note x2 (e, f, g & k) will not be used)

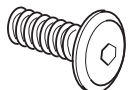
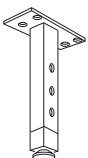
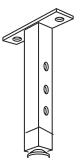
<p>b x8</p>  <p>Spring washer for M8 bolts</p>	<p>c x8</p>  <p>Flat washer for M8 bolts</p>	<p>e x6</p>  <p>Bolts (M6x40mm) for fitting the wooden cushion blocks to metal slat support rails</p>	<p>f x6</p>  <p>Sleeve nut for M6 bolt</p>	<p>g x7</p>  <p>Flat washer for M6 bolts and x1 for leg screw (q) when required</p>
<p>h x1</p>  <p>Allen key for M6 bolt</p>	<p>j x8</p>  <p>Bolts (M8x45mm) for fitting support rails (AA) to side rails (E&F)</p>	<p>q x1</p>  <p>Screw (5x40mm) Used only when fitting wooden slat support leg to wooden slat set, in the standard bed frame</p>	<p>k x6</p>  <p>Spring washer for M6 bolts</p>	

Hardware needed for installation of the TV is packed in the accessory box in footboard Pack 2

<p>(y) choose a pair of suitable bolt sets</p>  <p>Bolt sets M8 x 25mm Countersunk Screw sets (M6x12mm) Countersunk screw sets (M4x12mm)</p>	<p>(z) choose a suitable Allen key</p>  <p>Allen key (2.5mm) Allen key (4mm)</p>
---	---

Extra hardware included when fitting upgraded sprung slat frame

Note: the following fittings will be found in the box which contains the sprung metal slat frame itself.

<p>p x8</p>  <p>Bolts (M6x15mm) for fitting support legs (N&O) to the sprung frame (M).</p>	<p>N x1</p>  <p>Sprung slat frame centre support leg</p>	<p>O x2</p>  <p>Sprung slat frame outer support legs</p>
--	---	---

Tools required

Please check you have these tools below




Tape measure

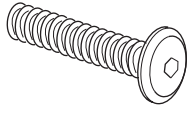


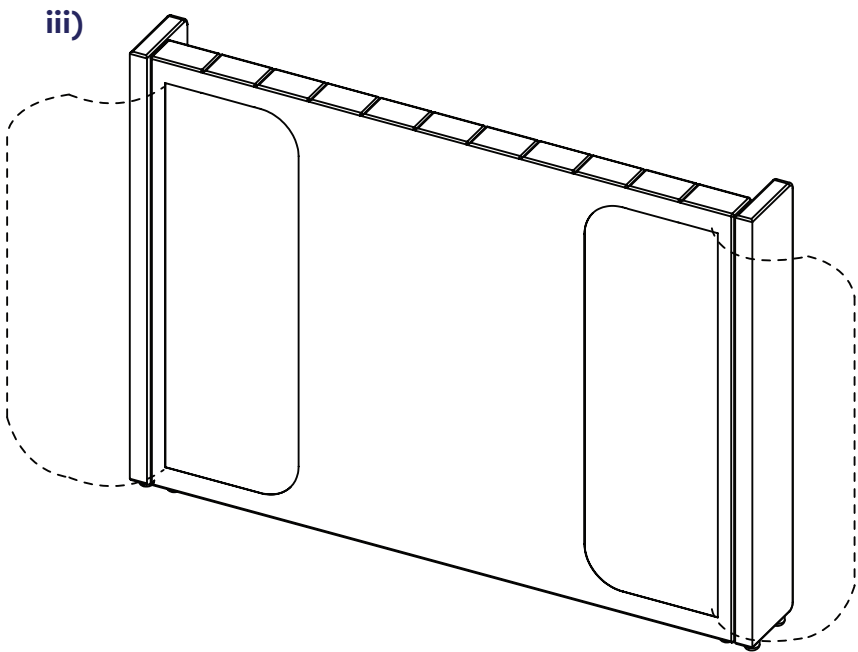
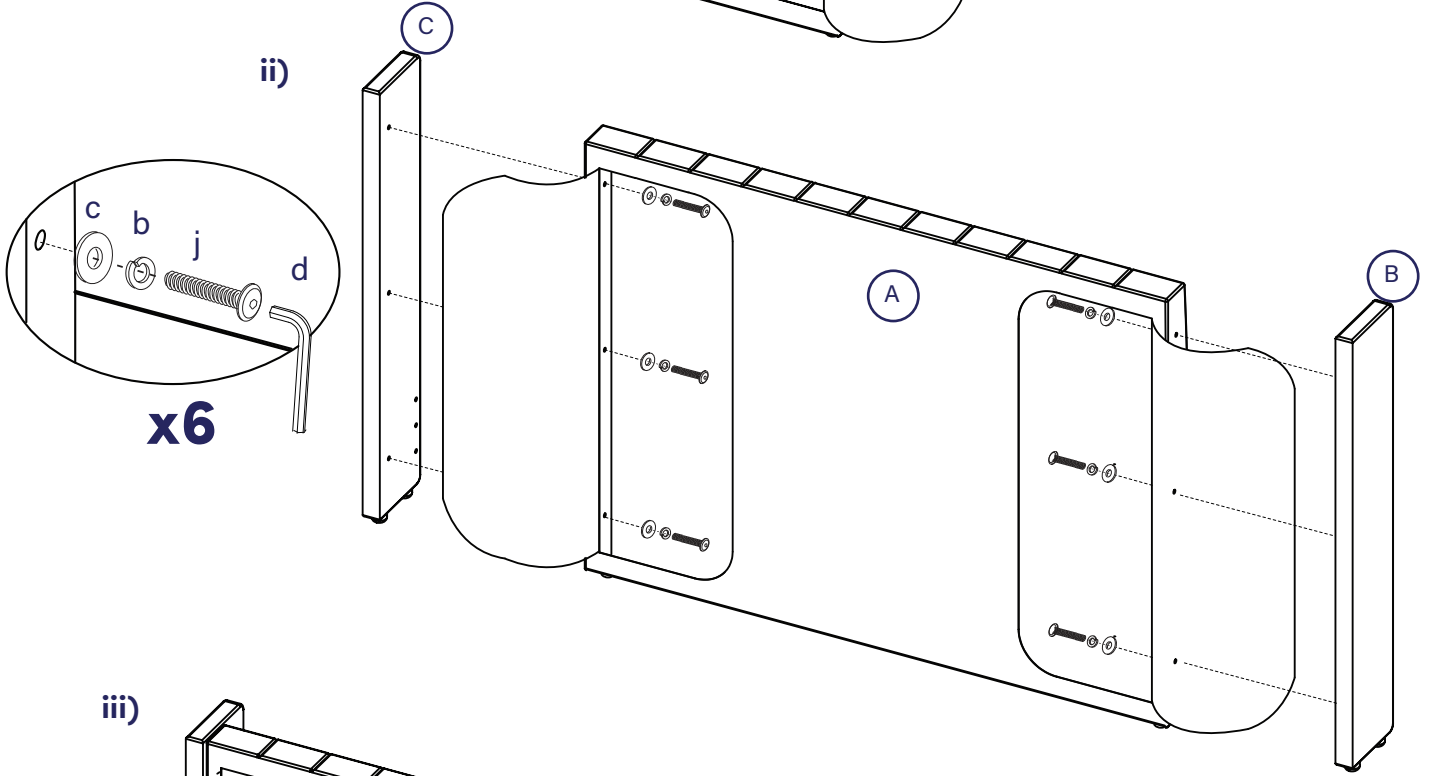
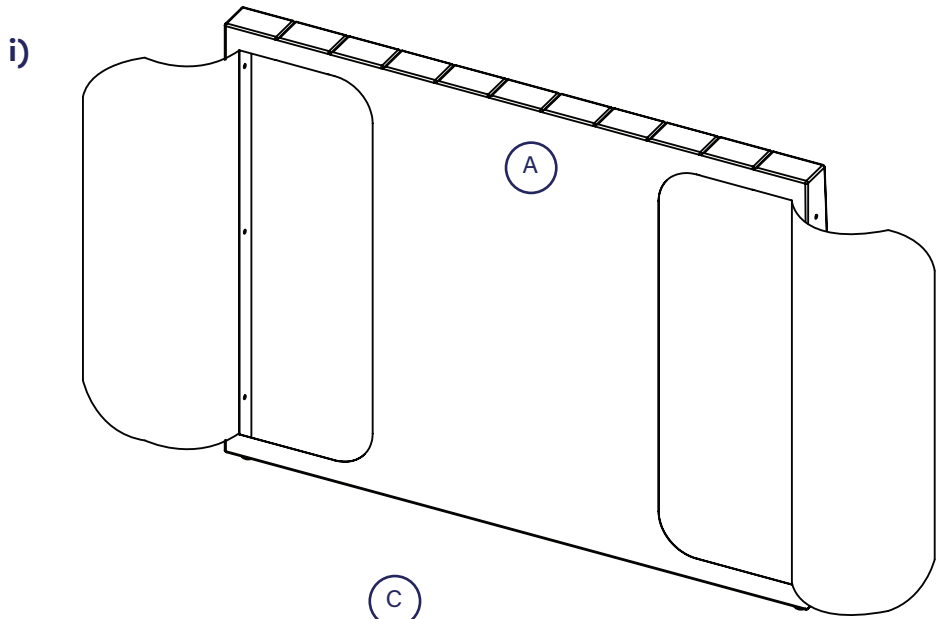
0 cm 1 2 3 4 5 6 7 8 9 10 11 12 13 14 15 16 17 18

1 Fit the wings to the headboard

b  x6 c  x6

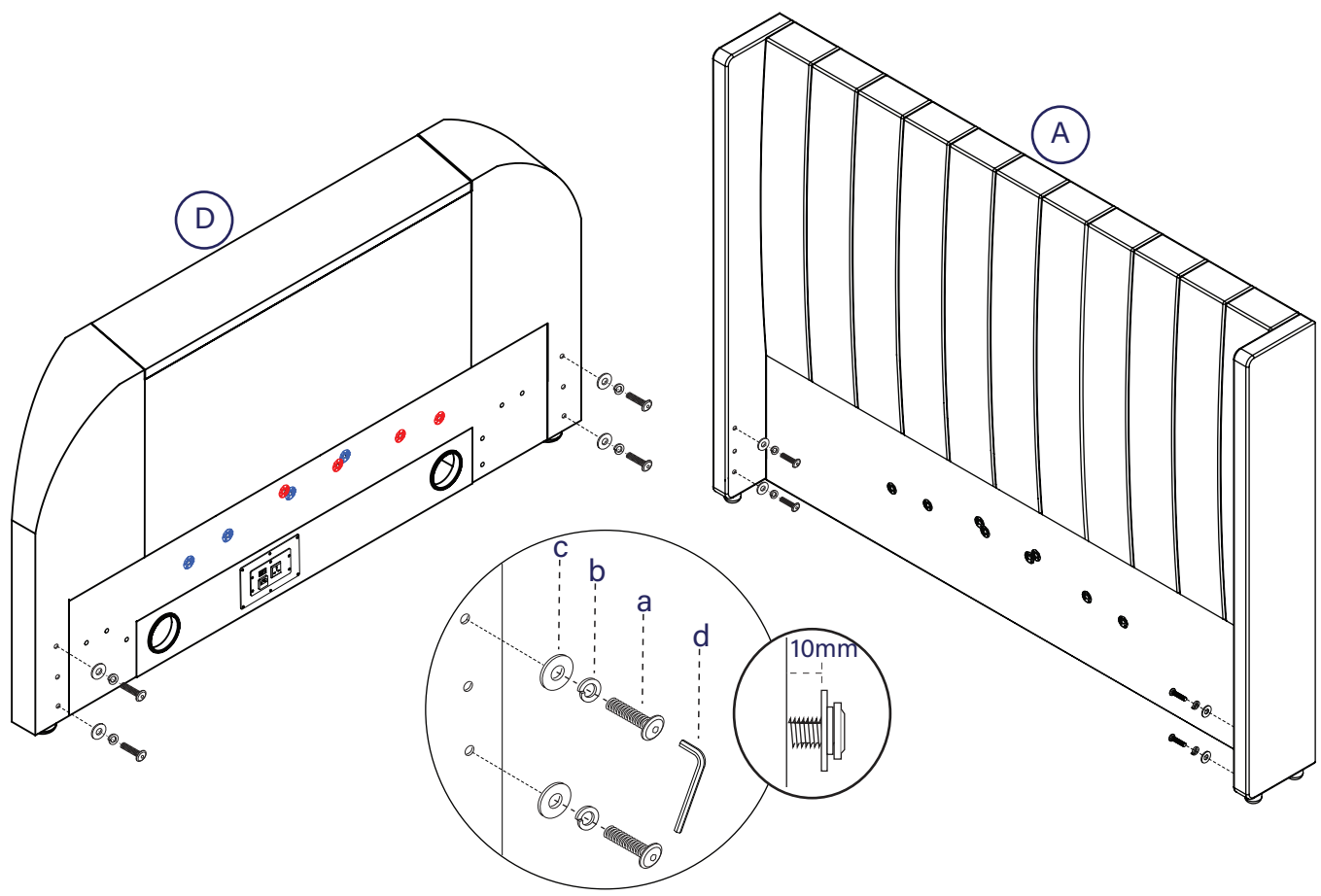
d  x1

j  x6

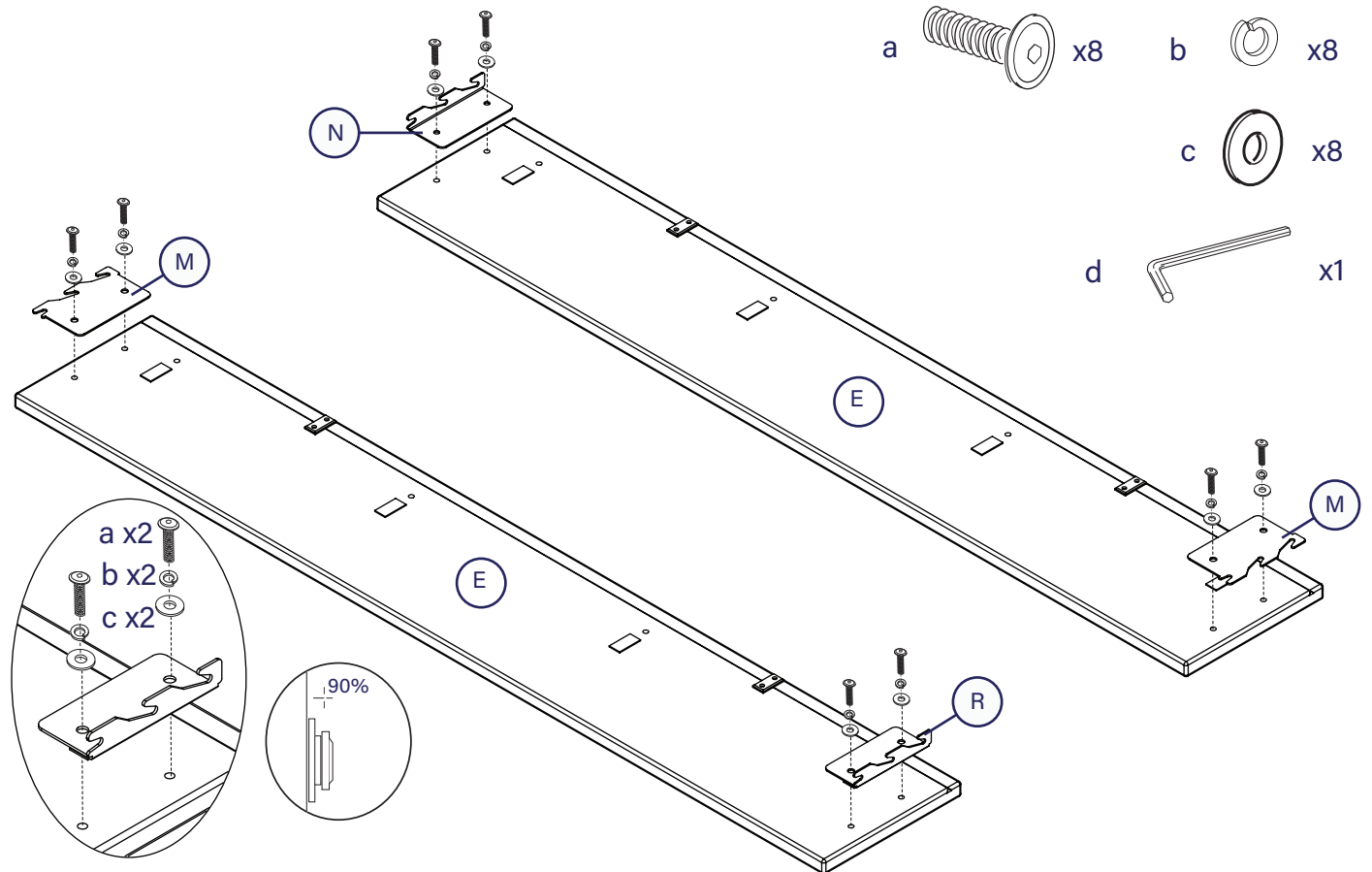


2

- a  x8
- b  x8
- c  x8
- d  x1

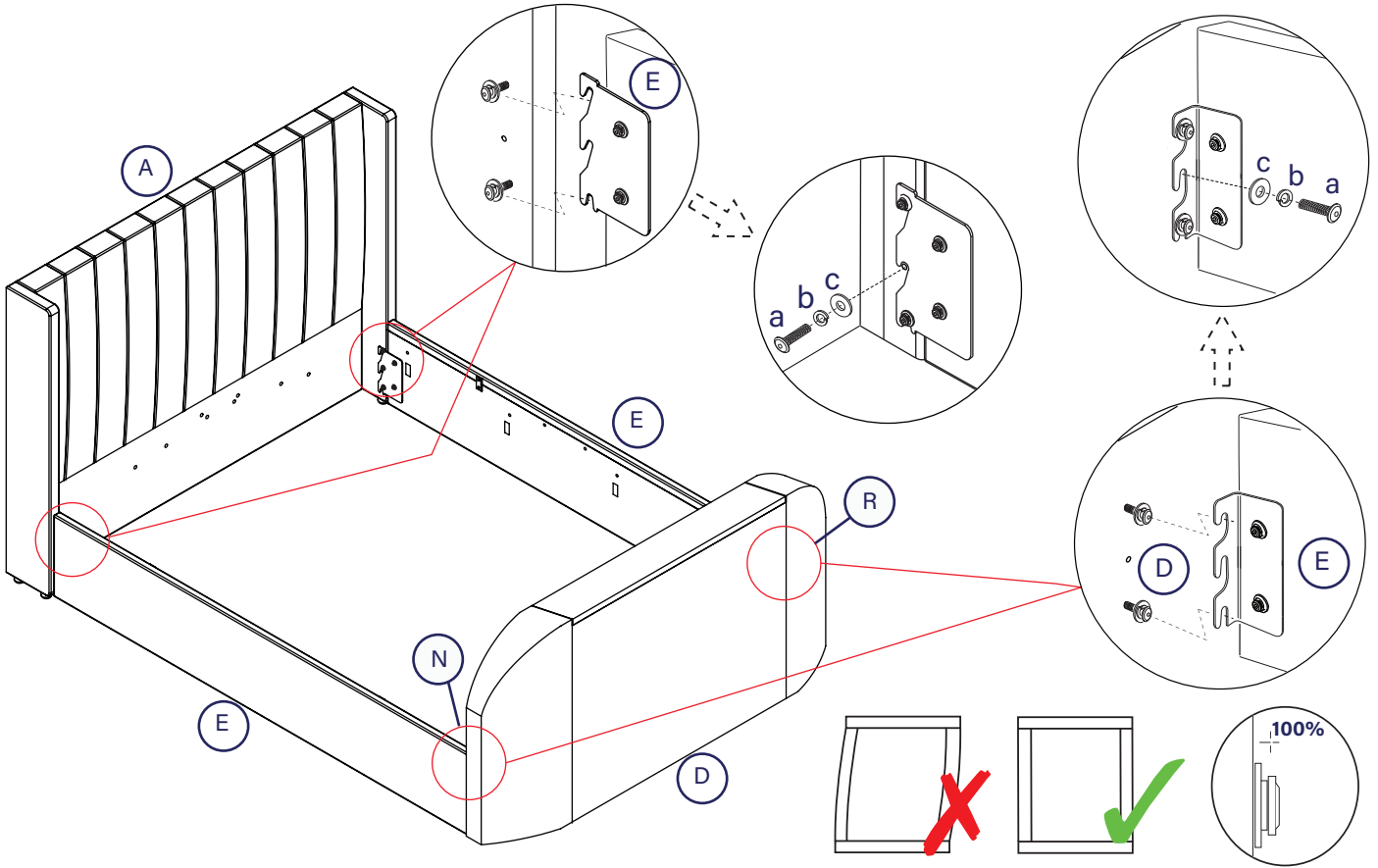


3 Fit brackets (M, N & R) to the side rails



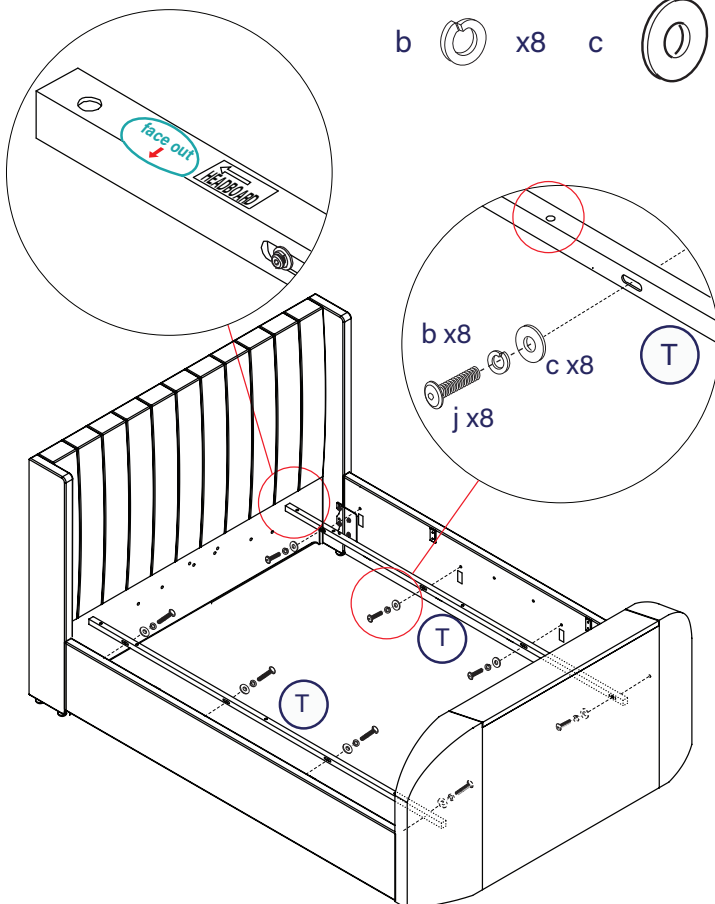
4

a  x4 b  x4 c  x4 d  x1



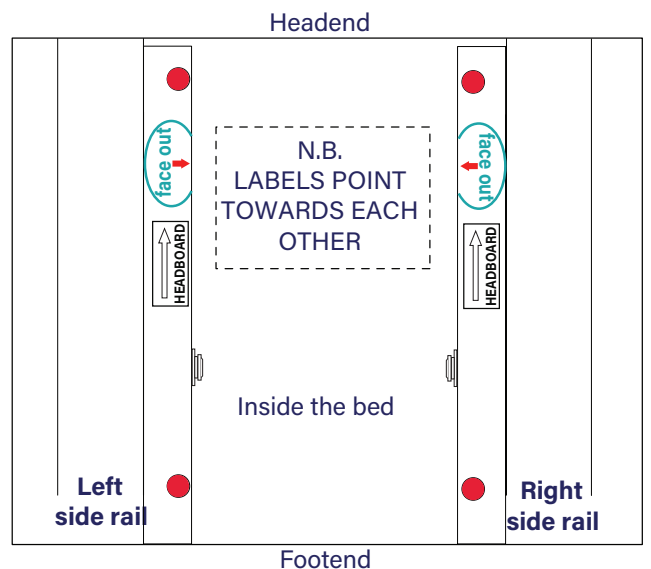
5 Fit the slat support rails (T) - note the hole position is off-center ●

b  x8 c  x8 d  x1 j  x8

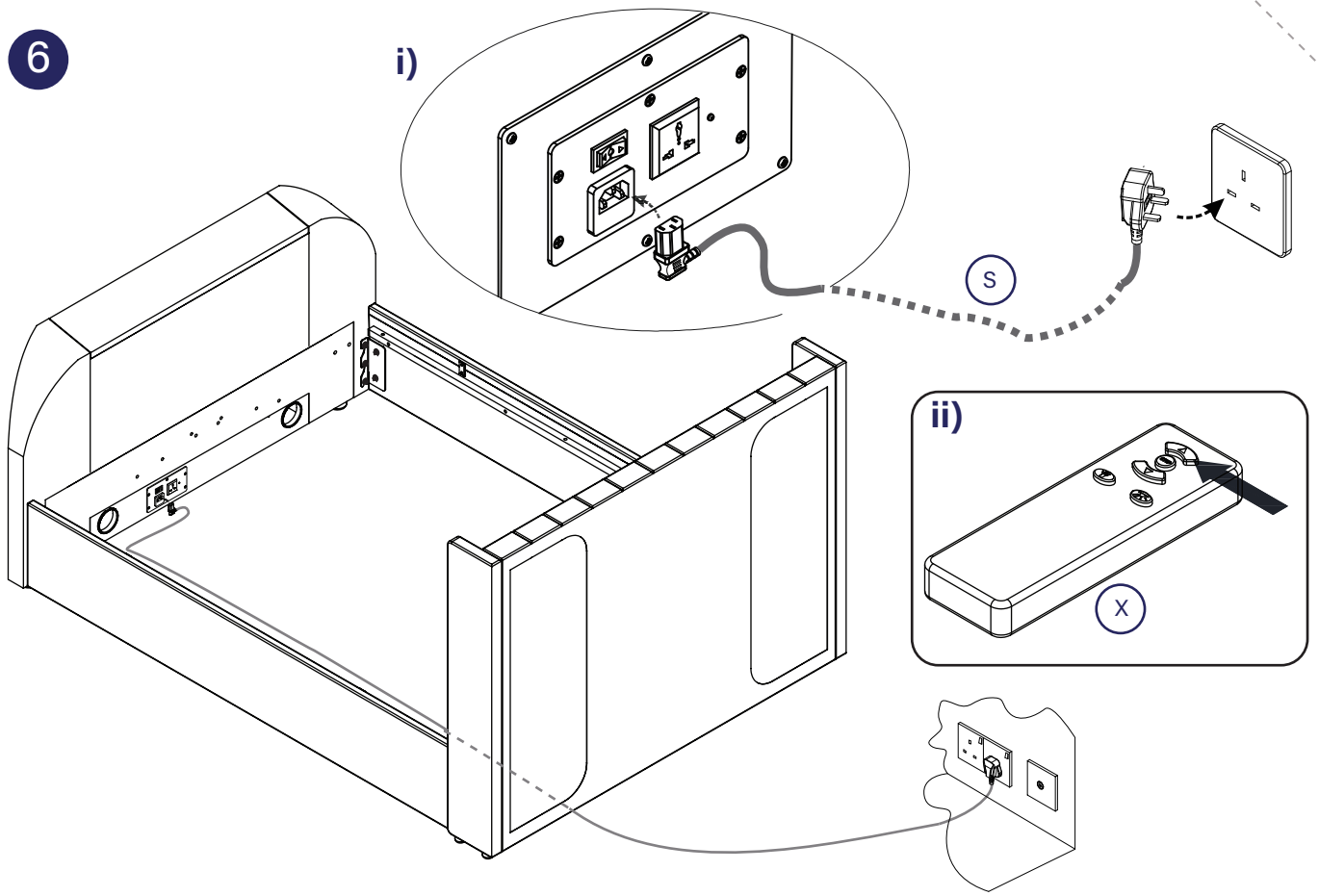


Please note:

To position the slat support rails in their correct locations, please follow the labeling carefully.



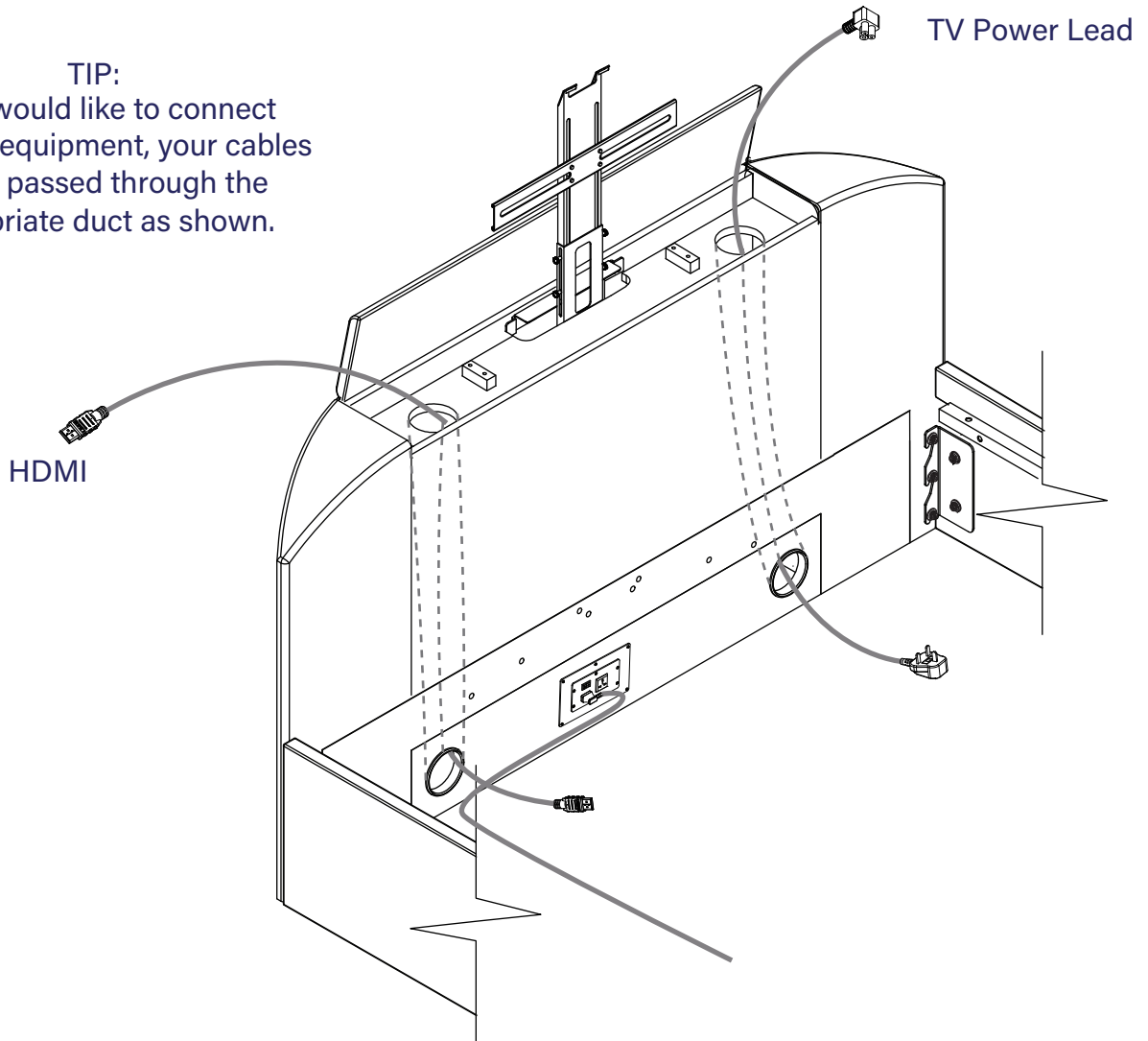
6



7

Note: For illustration purposes only, TV connections may vary.

TIP:
 If you would like to connect media equipment, your cables can be passed through the appropriate duct as shown.



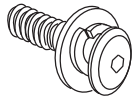
8

TV Installation - Normal Vesa fixing

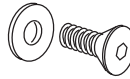
IF SCREWS ARE SUPPLIED WITH TV, PLEASE USE THOSE IN PREFERENCE

Choose a suitable set of hardware

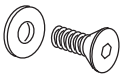
y x2 Screw-Washer sets (M8x25mm) - Use 5mm Allen Key (D)



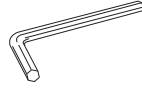
Counter-Sunk Screws (M6x12mm)



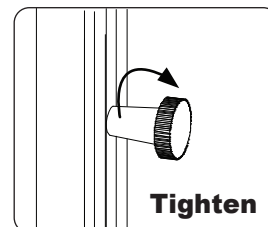
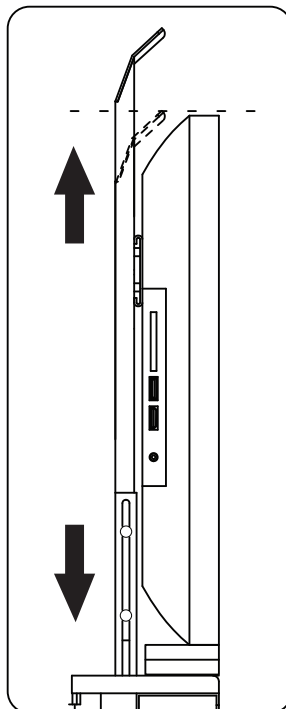
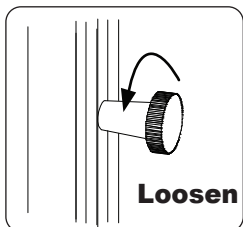
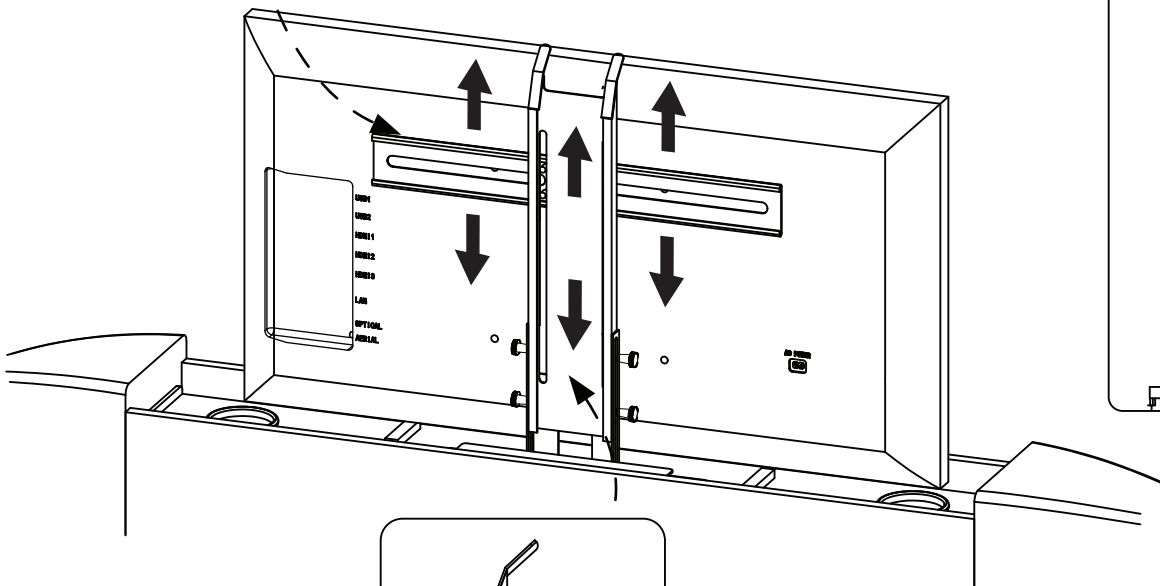
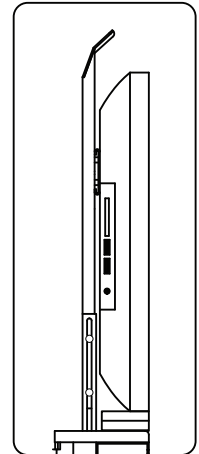
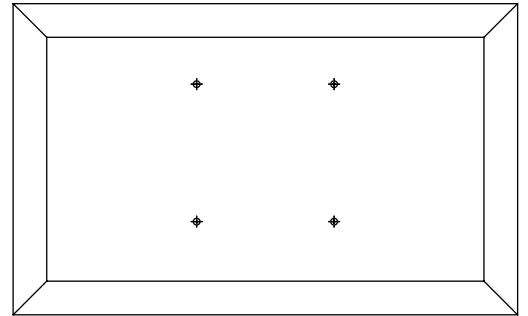
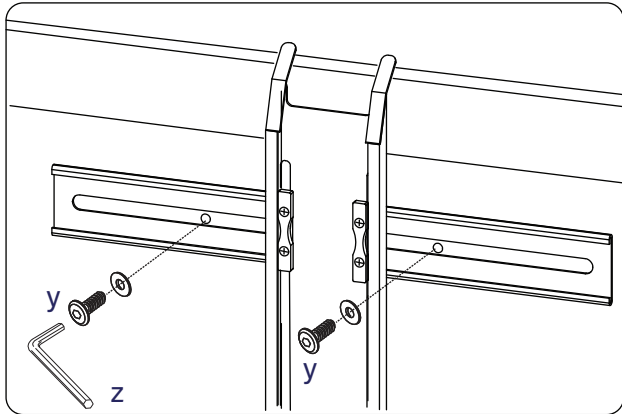
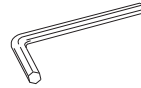
Counter-Sunk Screws (M4x12mm)



z x2 Allen Key (4mm)



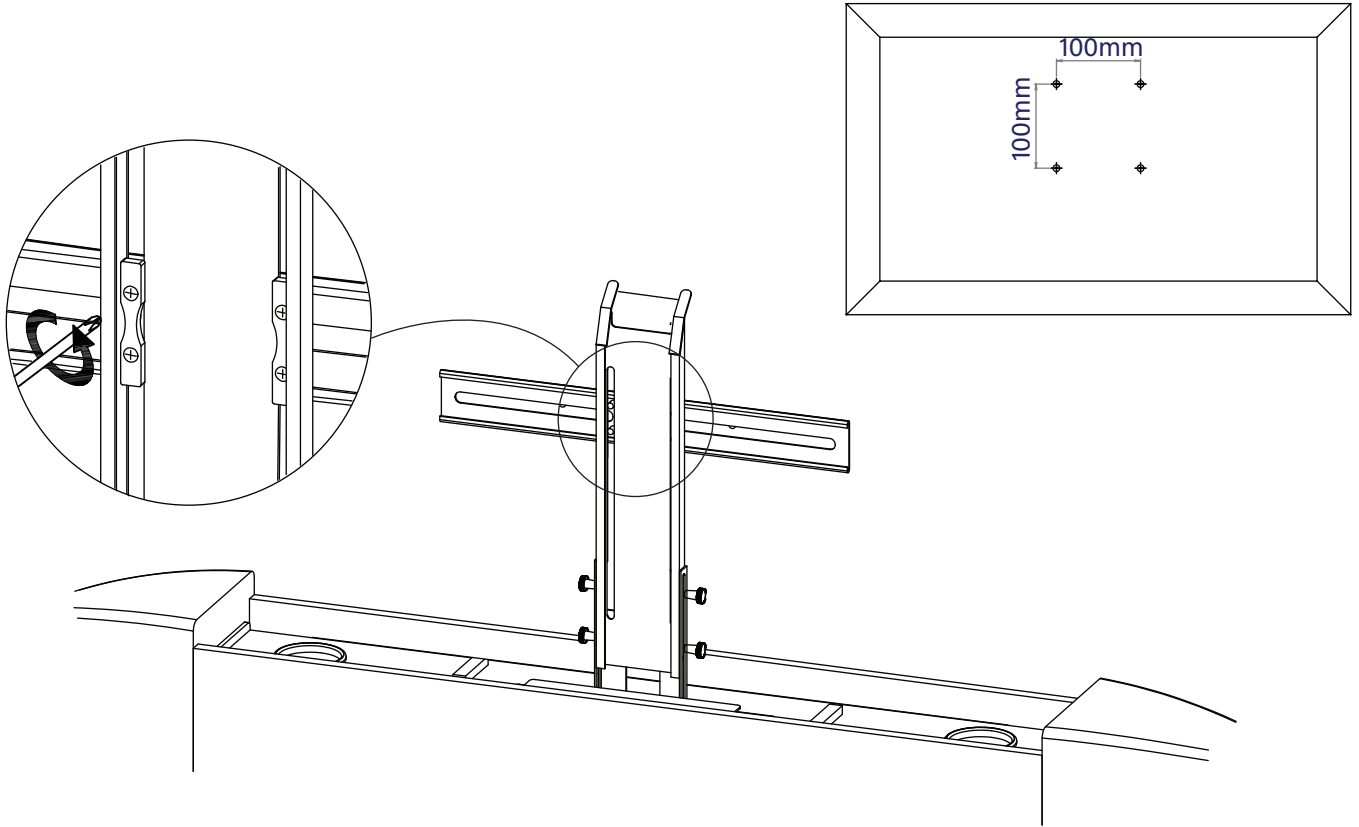
Allen Key (2.5mm)



9a

TV Installation - 100 x 100 Vesa fixing

Remove cross bracket and fit directly to back of the television.

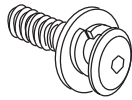


9b

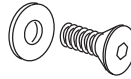
IF SCREWS ARE SUPPLIED WITH TV, PLEASE USE THOSE IN PREFERENCE

Choose a suitable set of hardware

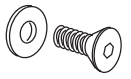
y x2
Screw-Washer sets (M8x25mm)
Use 5mm Allen Key (D)



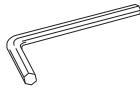
Counter-Sunk Screws (M6x12mm)



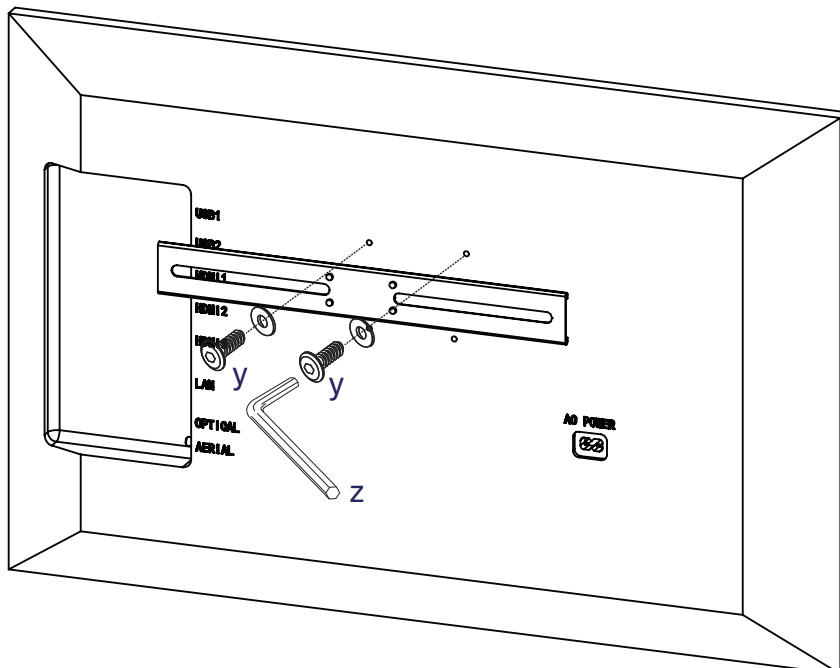
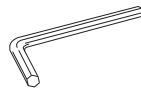
Counter-Sunk Screws (M4x12mm)

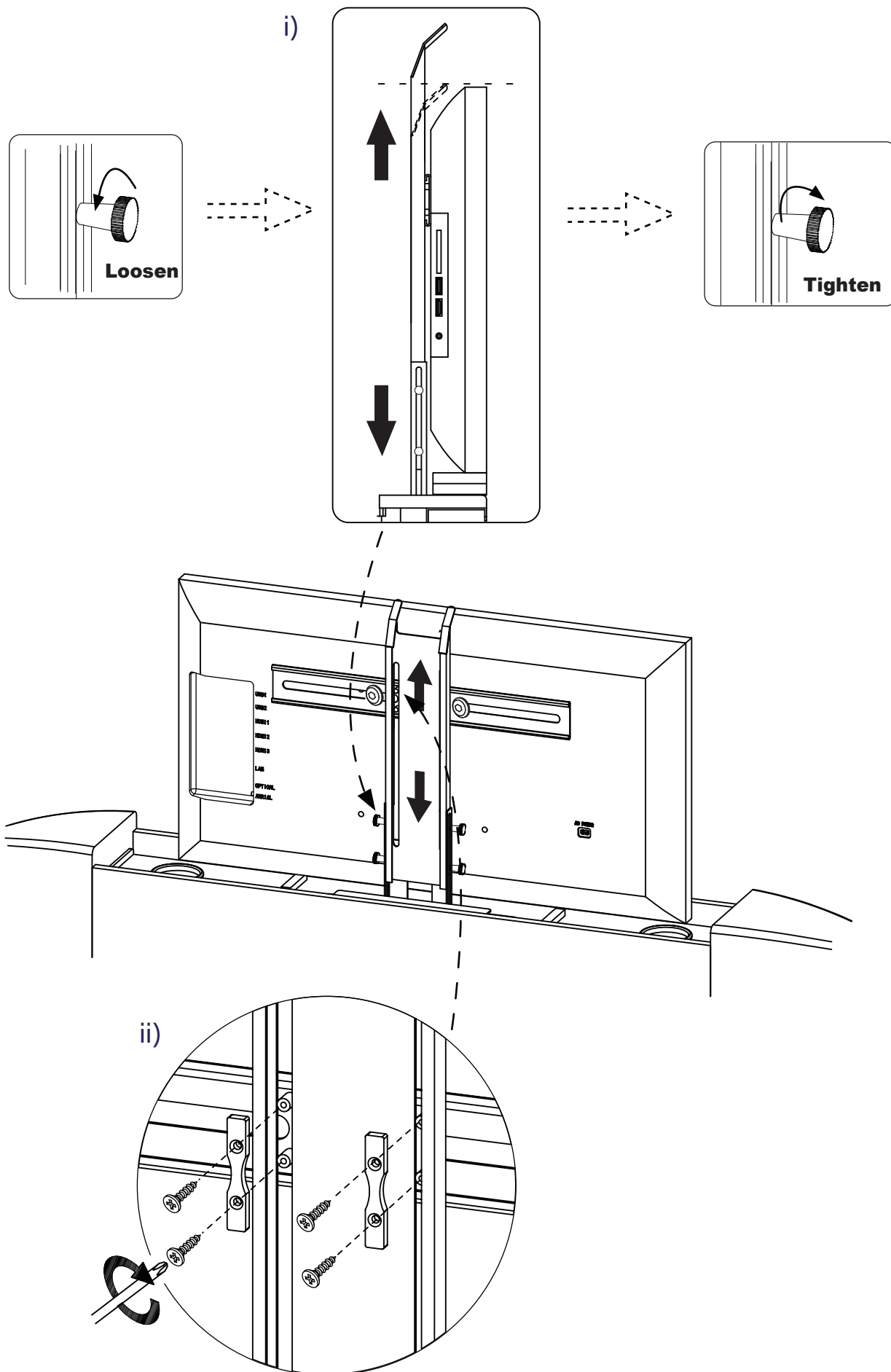


z x2
Allen Key (4mm)



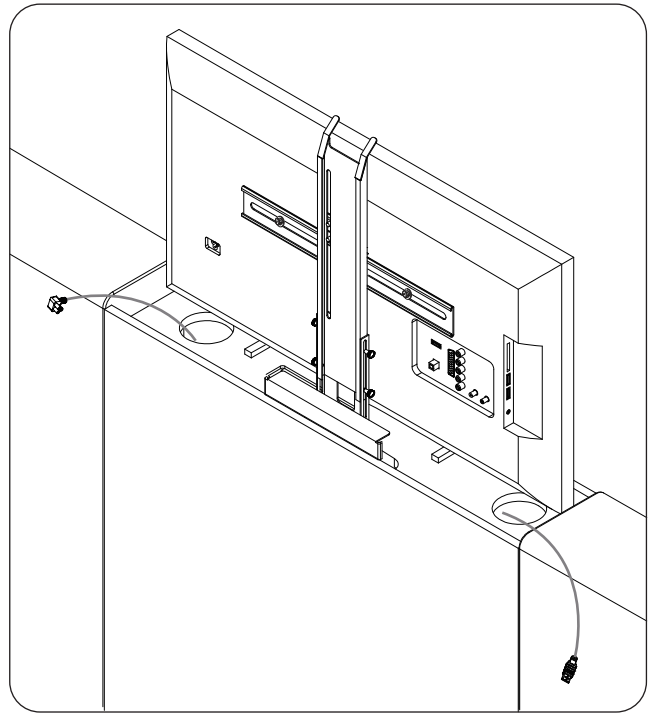
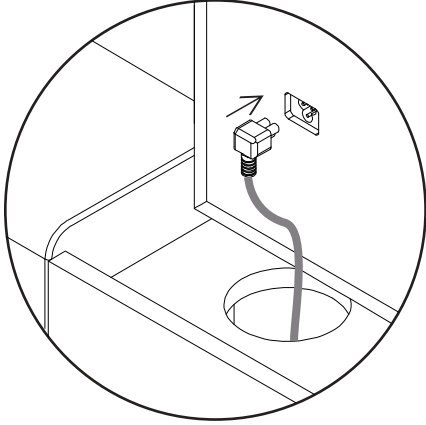
Allen Key (2.5mm)



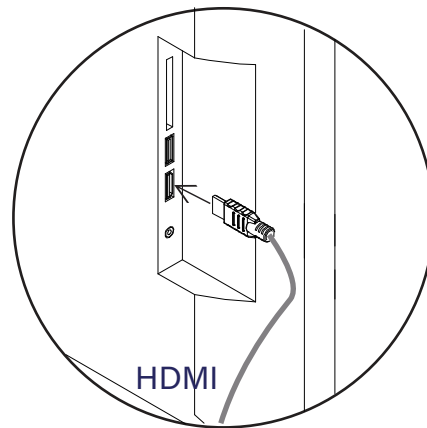


10 Note: For illustration purposes only, TV connections may vary.

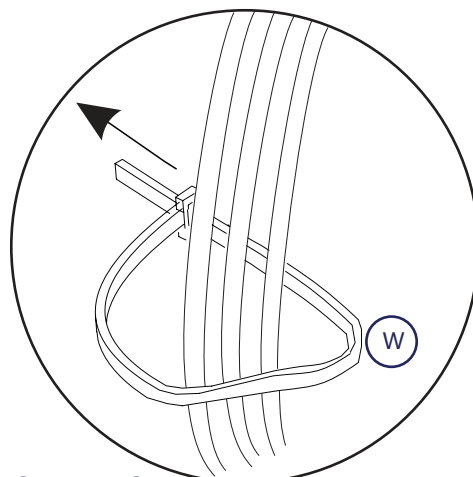
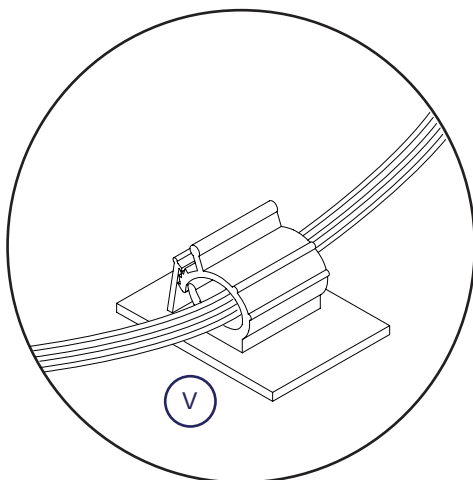
TV Power Lead



To help fitting your own cables, this is shown for illustration only

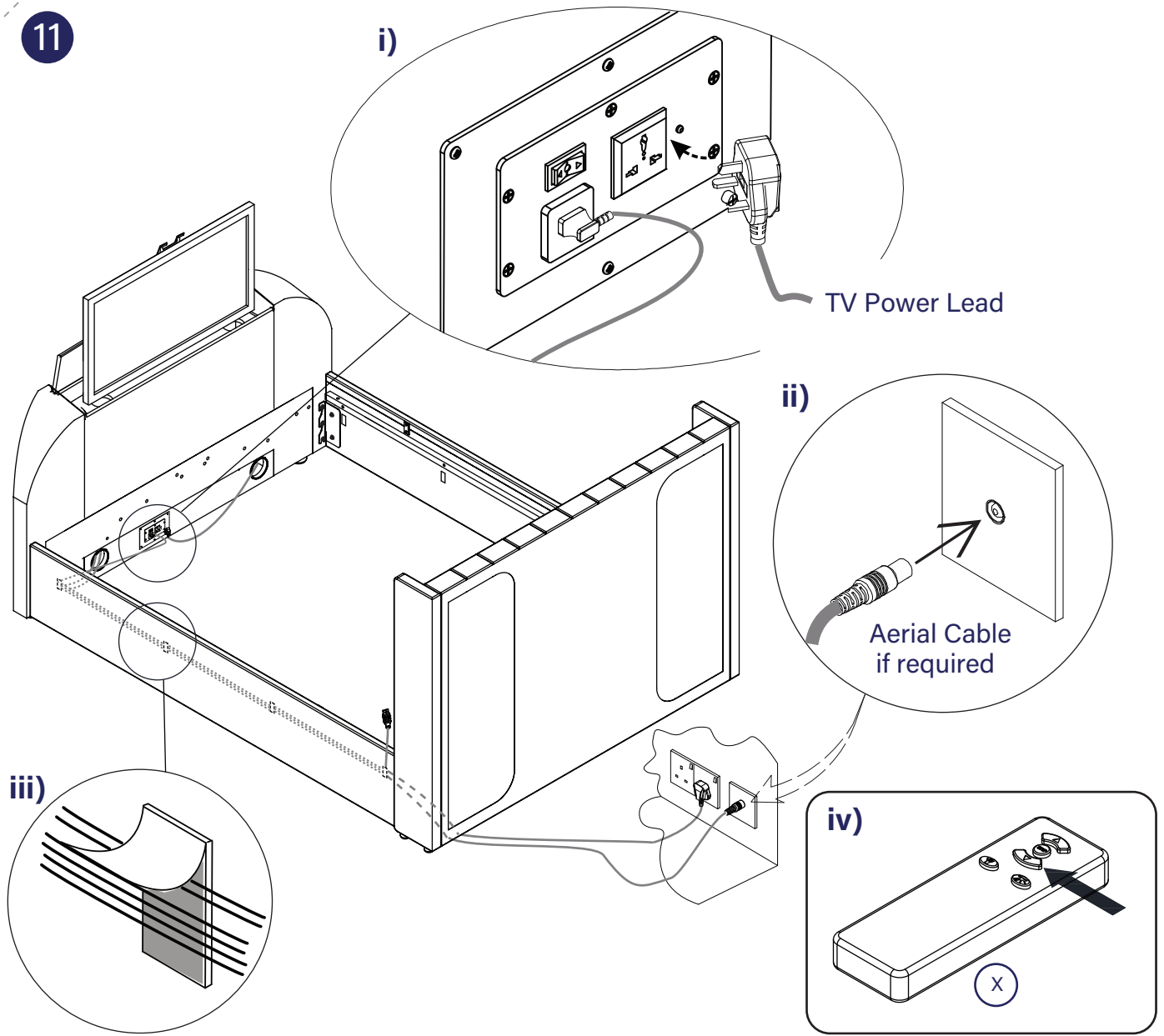


**PLUG IN - KEEP ALL CABLES TIGHT
USE CLIPS & TIES PROVIDED.**



**Keep wires tight - peel
off cover from cable clips
& adhere to back of TV.**

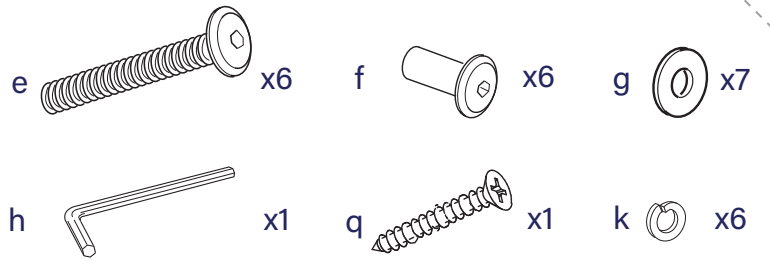
11



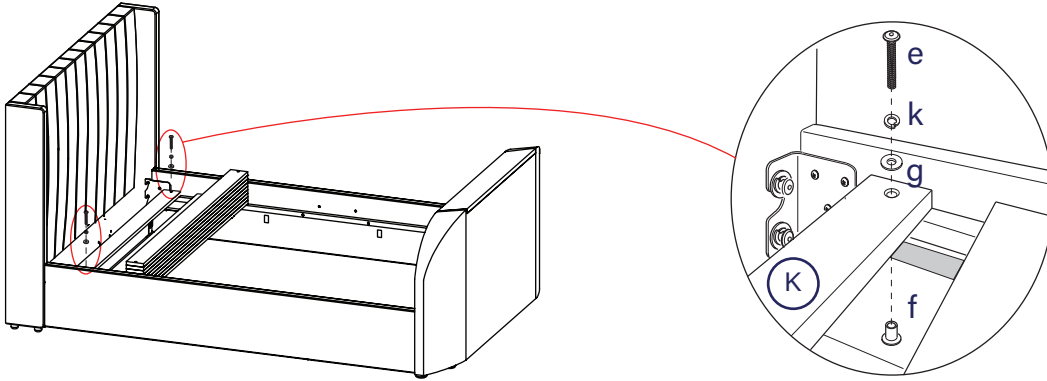
		<p>Press once and TV will rise to it's upper working position. Power to the TV will be connected automatically</p>
		<p>Press once and TV Lift will stop.</p>
		<p>Press once and TV will go down - as soon as the lower resting position is reached power to the TV is switched off to prevent it overheating.</p>
		<p>Torch</p>
		<p>Code Matching</p>
<p>Code Matching (pairing): occasionally pairing is lost, perhaps due to atmospheric conditions, To re-pair - press and hold the code matching button whilst connecting the power by plugging the mains cable into the control box of the TV lift on the base of the footboard. Continue to press the button for another 5 seconds then press the up or down button to successfully match the code.</p> <p>Regularly check the batteries and if necessary re-place them - x3 pcs AAA size.</p>		

12 Fitting the solid wood slat set.

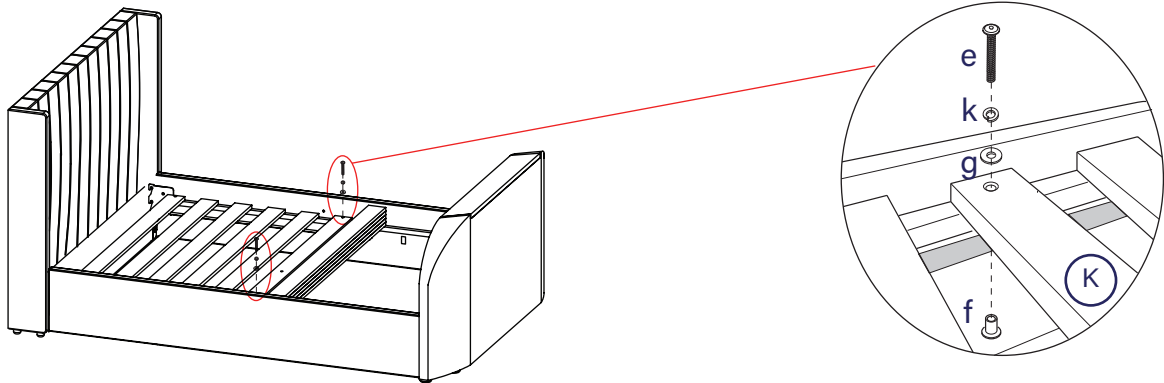
Carefully lay the wooden slat set on the metal supports fitted to each side rail.



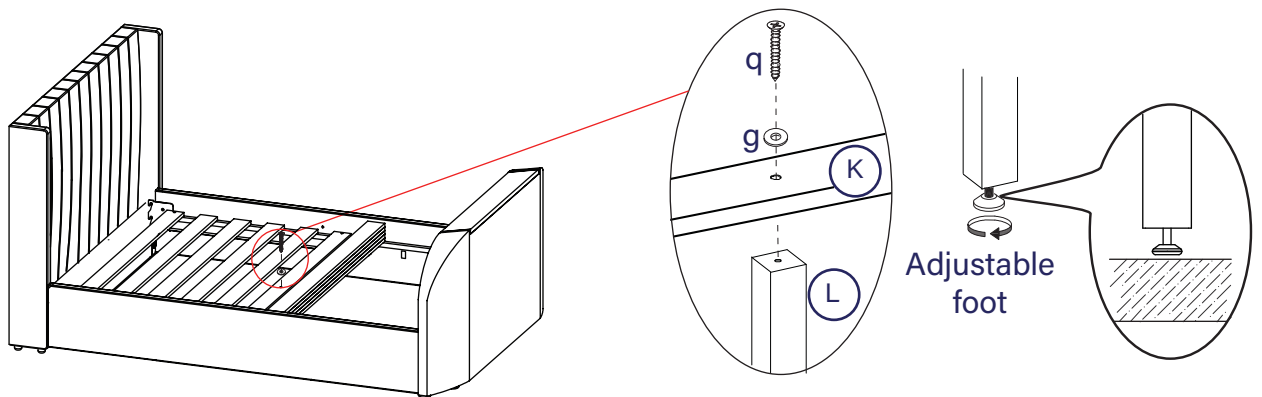
i)



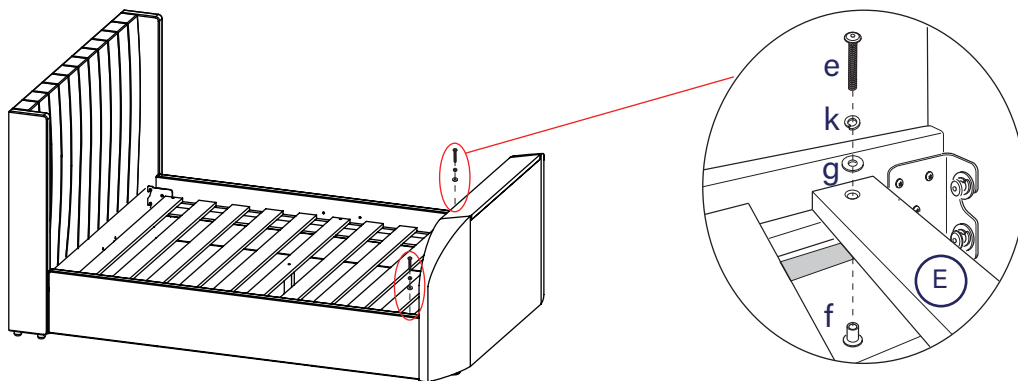
ii)



iii)



iv)

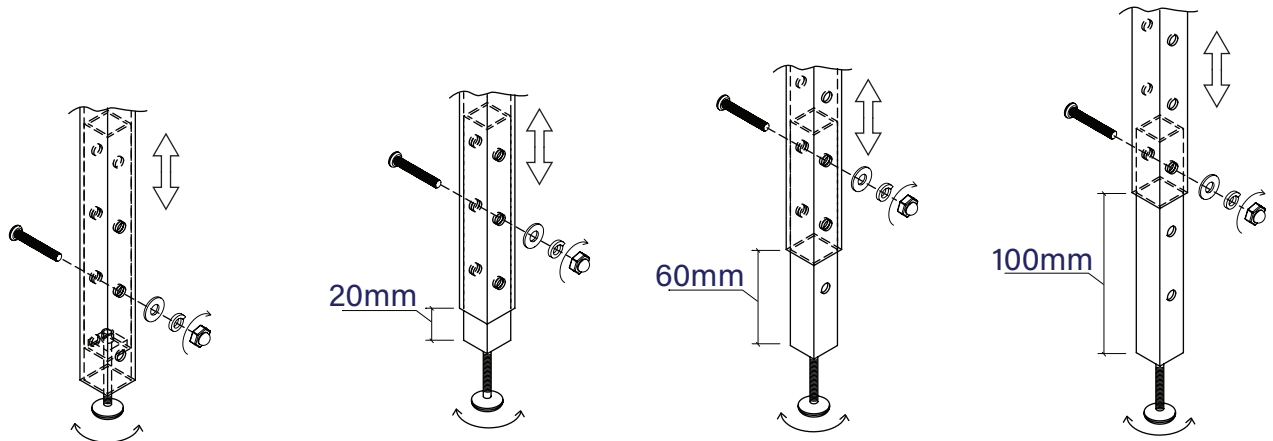


13 Fitting the sprung slat frame upgrade.

N.B: This slat-frame is only supplied if the upgraded sprung slat frame system is chosen at time of purchase. The legs for this frame (N & O) are packed in with the sprung slat-system itself.

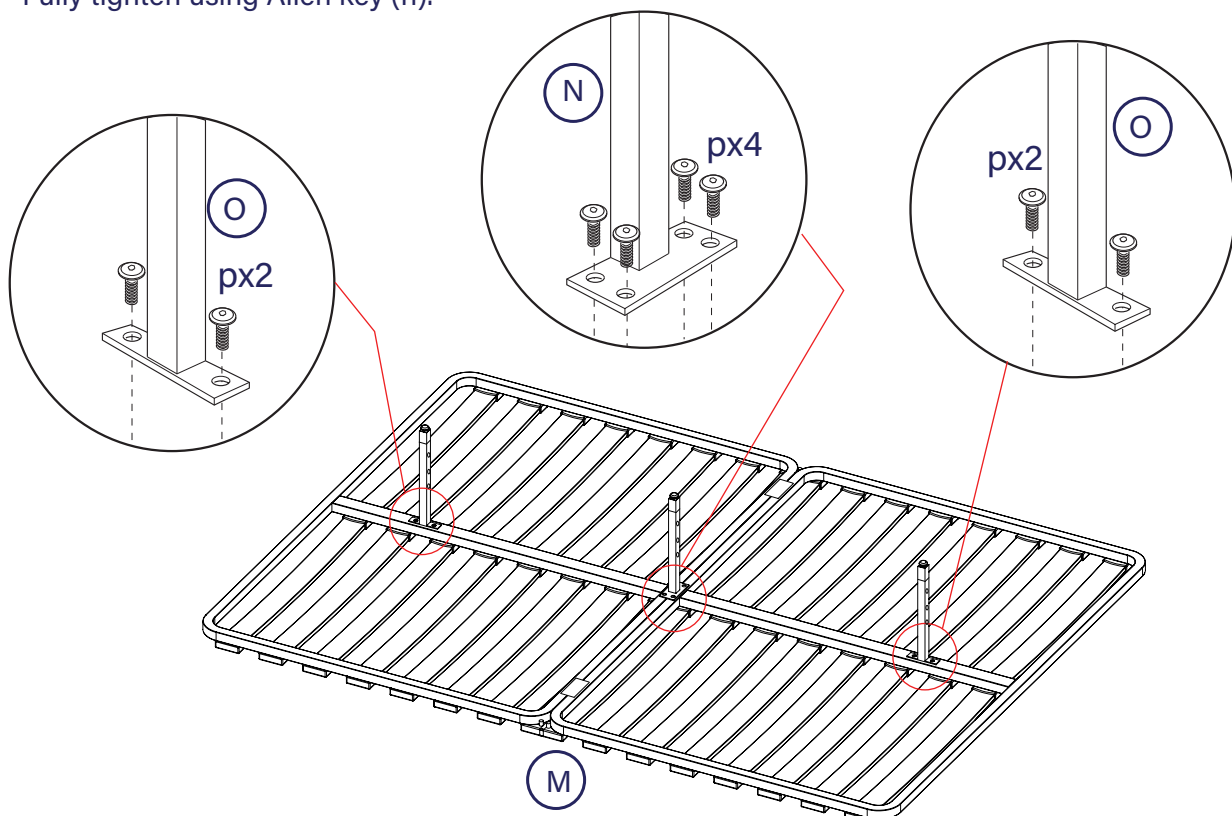
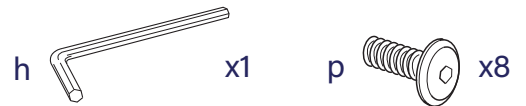
1. The support legs each have four adjustable parts that need to be set to suit the height of the bed slat frame. Please adjust the height of each leg by selecting the correct hole and inserting the bolts and nuts as shown.
2. You can fine-tune the height of each leg by screwing the adjustable foot in or out so it just touches the floor.

i.



These parts are in the slat-frame carton itself - supplied separately to the bed.

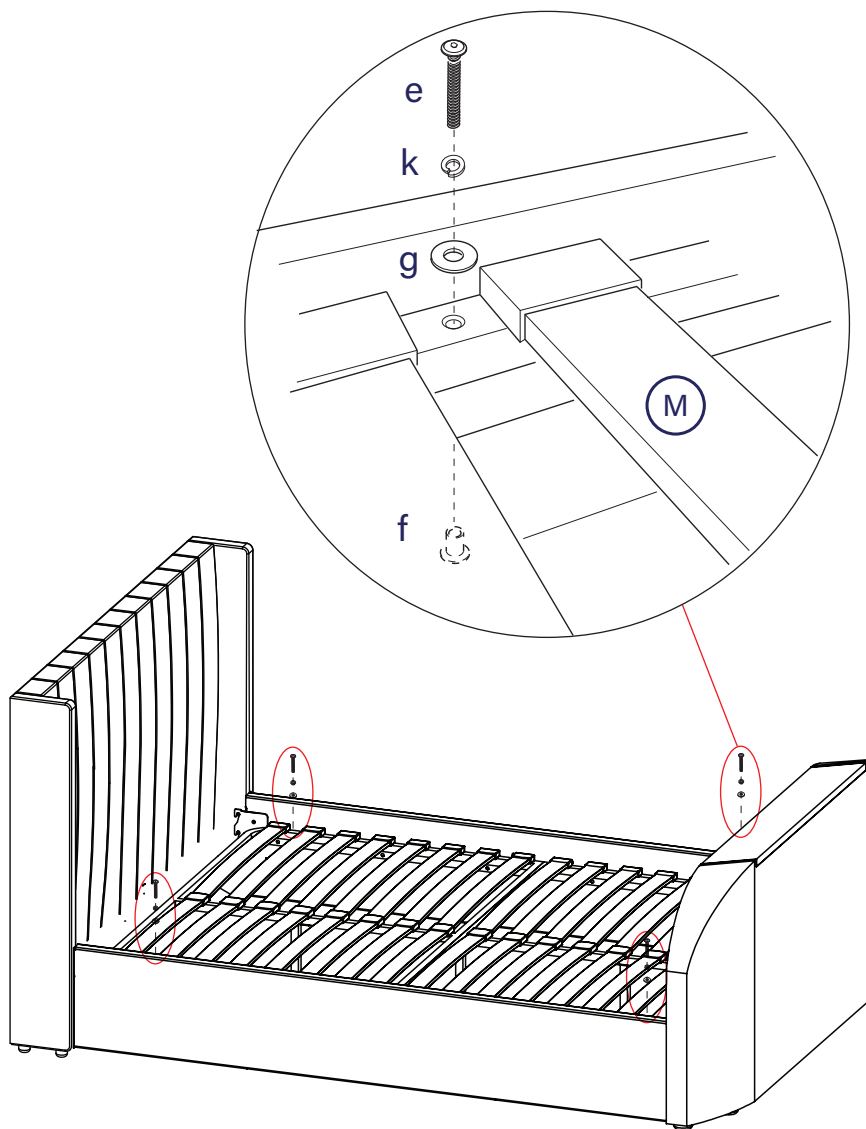
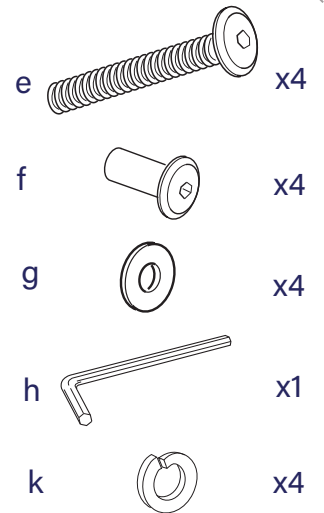
- ii. Open the sprung slat frame and lay it face down on the working surface.
Fit the support legs (N & O) in the positions shown, securing with the bolts (p).
Fully tighten using Allen key (h).



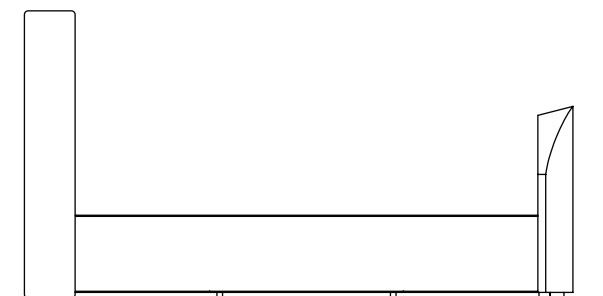
iii. Carefully turn the slat frame over and place in position on top of the metal slat frame supports that are fitted to each side rail.

Align the frame with the fixing holes at each end and secure using four bolt sets (e, k, g & f).

When all in place tighten using Allen key (h).



Finally, please check carefully that all bolts are fully tightened before the bed is used.



Technical Specifications

Max TV Size: 975 x 575 x 85 (WHDmm)

Overall Dimensions (LWH mm)

Double: 2245 x 1470 x 1185

King: 2345 x 1620 x 1185

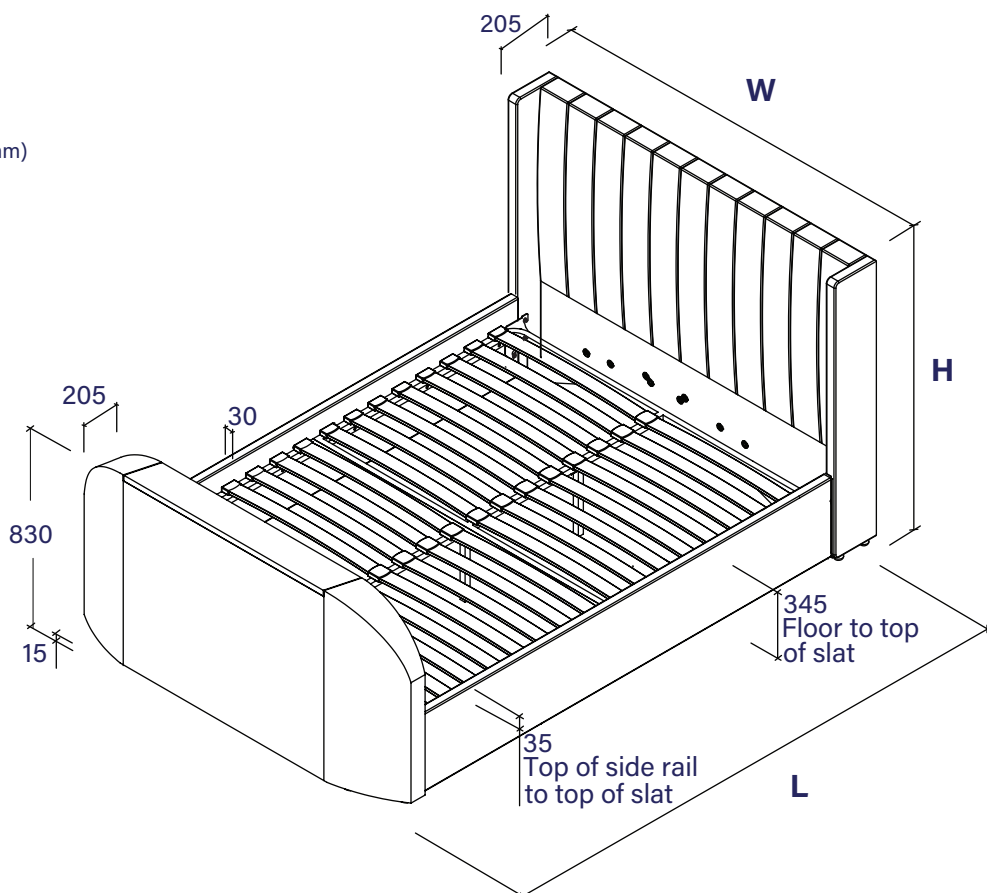
Super King: 2345 x 1920 x 1185

Internal Dimensions (LWH mm)

Double: 1930 x 1380

King: 2030 x 1530

Super King: 2030 x 1830



Care and maintenance

Here are some tips to keep your new bed in tip-top condition



Cleaning

To clean your new bed, we'd advise using a warm damp cloth or if fabric, remove dust using a low suction vacuum cleaner. Please do not use abrasive chemicals or bleach as this may damage the product.



Checking and moving

Periodically we recommend you check that the screws or fixtures haven't become loose over time. To move your new bed, we recommend lifting it where possible, as dragging or pushing it could cause damage to the legs or flooring.



Wood

Please note each of our wooden pieces are unique, meaning that markings and shade can vary slightly between beds. Over a period of time, the wood might lighten or fade slightly due to light exposure.



Fabric

Please note depending on the lighting, positioning and surroundings of your room, the shade of the colour can sometimes appear slightly different. Over a period of time, the colour might lighten or fade slightly due to light exposure.



Metal

Metal tends to be more resilient to everyday wear and tear. We recommend to gently dust your metal furniture and keep it dry to maintain its look.

Thank you for shopping with us - we hope you have a great night's sleep.

Sleep well

Little dreamers

Keep the little ones entertained while you assemble your new purchase.

