



OWNER'S MANUAL



Ergomotion Ottoman

Actual product appearance and functionality may vary from photographs, illustrations and descriptions included in this manual.

Table of Contents

Safety Precautions and Usage Statements	1-5
Parts List	6
Base and Remote Overview	7
Quick Reference Guide	8
Installation Guide	9
Assemble Storage Bed	10-17
Remote Control	18
Remote Control Pairing	19
Battery Backup Strap	20
Important Safety Warnings	21
Troubleshooting	22
Notes	23-25

Safety Precautions and Usage Statements

Attention: Important Safety Disclaimers

Read all instructions before using your adjustable base. Save these instructions.

TO REDUCE THE RISK OF SHOCK, BURNS, FIRE OR INJURY:

For optimal safety and operation, plug bed base into a surge protector (not included). The bed base should only be plugged directly into a wall outlet or surge protector (strongly recommended). Always unplug the base from the electrical outlet before servicing any part of the base. To reduce risk of electric shock, unplug the base before cleaning. To safely disconnect, ensure the base is in a flat position with all motors off, and unplug from power source. Keep the power cord away from heated surfaces. Never operate the base when the air openings are blocked. Keep air openings free of lint, hair and the like. Do not drop or insert any object into any opening. Discontinue use of the bed base and contact a qualified service center if: it has a damaged cord or plug, if it is not working properly, or it has been dropped into water. Only use this bed base for its intended use as described in this manual. Do not use accessories/attachments that are not recommended by the manufacturer. Close supervision is required when the bed base is used by or near children, convalescents, disabled persons or pets. Improper connection of the equipment can result in the risk of electrical shock, electrical fire or faulty operation of this bed base. If the plug does not fit your outlet, contact a qualified electrician to install a suitable outlet. Unauthorized modification or failure to use a wall outlet or surge protector could void the electrical portion of your warranty.

PETS AND CHILDREN:

Immediately dispose of all packaging materials as they may pose a smothering risk to small children and pets. The storage section is only

used for storing commodity. Do not store valuables. Check to be sure children and small pets are not play with it. Do not let children or small pets in the storage. Death OR SERIOUS INJURY can occur. Children and pets can be crushed or killed if they become entrapped in moving parts of the bed. Before you reposition the base, check to be sure children and small pets are not near of under the base. Do not teach children to operate the remote. Please use the product in accordance with instructions. Improper use may cause SERIOUS INJURY, DEATH or property loss.

SAFETY FEATURES:

Manual operation:

If something gets caught in the platform when flattened, you can manually raise the platform up at both the head and foot to relieve pressure and allow for release.

Emergency stop:

Stop the motion of the platform by pressing any button on the remote control or by pushing the button on the Battery Backup Strap located underneath the base.

Power outage:

Use the “Emergency Battery Backup Strap” as a temporary power source to get the base to a desired position. Instructions on how to operate the Battery Backup Strap are on the Emergency Battery Backup page(s).

Hook:

Each time use the storage section, the hook should be used before placing or taking the item.

Safety Precautions and Usage Statements

Attention: Important Safety Disclaimers

Read all instructions before using your adjustable base. Save these instructions.

PACEMAKERS:

Some products contain Neodymium MAGNETS which may interfere with devices such as pacemakers, ICD's and any other device sensitive to magnetic fields. It is STRONGLY recommended that owners of such medical devices consult their physician prior to using products that contain Neodymium MAGNETS. It is also possible that some pacemakers may falsely interpret the optional massage feature vibrations as movement/exercise. This is a common occurrence with any product that creates a vibrating movement and may not affect the pacemaker. Please consult your physician before using the massage feature.

IN-HOME USE AND HOSPITAL STANDARDS:

Ergomotion adjustable bed bases are designed solely for in-home use. This base was not designed as a hospital bed and is not designed to meet hospital standards. Do not use this base with TENT TYPE oxygen therapy equipment or near explosive gases.

ADDITIONAL SAFETY FEATURES :

Casters (optional leg accessory) are equipped with locking wheels to prevent unwanted movement. Even when locked and unable to roll, it is possible for the casters to slide. Free release head and foot motors are designed to lower the mattress by retracting only with gravity, never pulling downwards, which minimizes pinch points.

LIFTING/LOWERING MECHANISMS :

The lift/lower feature will emit a minimal humming sound during operation. This is normal. During operation, the lift arm wheels make contact with the platform support of the base. This contact may result

in metal on metal or metal on plastic contact. This applies slight tension on the moving components and resonance is reduced to a minimum level. If excessive noise or vibration is experienced, reverse the movement action (up or down) of the base with the remote control. This should realign the base's activating mechanisms to the proper operational position. In normal base operation, the wheels, which allow the bed to maintain its distance from the wall, will make contact with the steel platform supports of the base creating a contact noise. When entering, exiting or shifting weight on the base, this contact noise may be audible as the wheels make contact. This is normal.

MATERIALS:

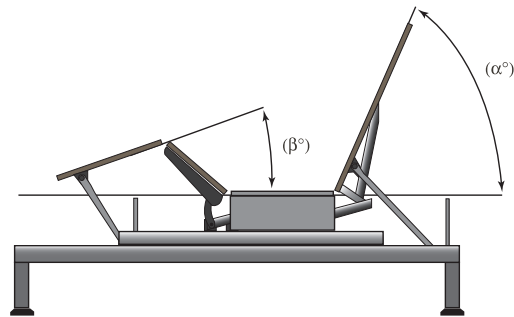
Ergomotion adjustable bases are constructed from various materials including woods, metals, plastics and fabrics. Tension, pressure or movement applied to the frame, platform or shroud through general use may create an audible sound.

MESSAGE OPERATION AND LOCATION ENVIRONMENT:

The massage feature will emit a tone during operation. This is normal. As the massage intensity level is increased, the tone will intensify. The volume of this tone is directly related to the location environment. For example, when demonstrated in a show room, the surrounding environmental noise will cover some of the massage noise. However, when installed in a home setting with wooden floors, carpeted or not, the massage volume will be more noticeable. To minimize this resonance, place a piece of carpet, or rubber caster cups, under each leg or caster of the base. It is possible to experience vibration or noise from the exterior bed frame, headboard brackets, headboards or footboards if mounting bolts are not firmly tightened. Levels 1-6 of

Safety Precautions and Usage Statements

massage intensity represent the revolutions of the motor per minute. Level 6 provides the maximum number of RPMs. However, this does not mean that the feeling of vibration is the strongest. Depending on the mattress material, thickness, and positioning of the user, the feeling of vibrations will differ. We encourage the user to find the massage intensity setting that suits them best. It is important to understand the physics of vibrations. Just as an engine may run rough during idle, as the RPMs increase, the vibrations change concurrently.



TOLERANCE:

All Ergomotion adjustable foundations, depending on make and model, are designed and manufactured to perform and function within designated quality control parameters. Bases are subject to meticulous and rigorous inspections during the quality control process to ensure bases will operate within these standards during normal operating use. Normal operating use is defined as the following: Adjustable foundation is to be operated with a mattress and load. Testing procedures require lifetime cycle tests with up to 120kg distributed load. The angle (designated “ α ” in figure 1) between the back section and the flat section for various configurations of the mattress support platform shall be $\pm 3^\circ$, which translates to a tolerance of up to $1\frac{1}{2}^\circ$.

The angle (designated “ β ” in figure 1) between the flat section and foot section for various configurations of the mattress support platform shall be $\pm 3^\circ$, which translates to a tolerance of up to $3\frac{3}{4}^\circ$. Any adjustable foundation deemed to be within these allocated tolerances is considered to have met the manufacturer’s quality control standards.

THAT “NEW PRODUCT” SMELL:

Some people notice a slight odor to their new adjustable base—this can come from our material manufacturing process. This smell is normal and usually disappears before the product reaches you. Sometimes, however, this smell may still be noticeable. It usually disappears after a few weeks, providing adequate ventilation of the product and the environment.

BREAK IN PERIOD:

You can speed up the break-in period by simply spending time in the adjustable bed through activities such as reading, watching TV or playing with the kids or grandkids. The extra movement will help the adjustable base respond to weight and temperature changes. Some of the materials in our adjustable bases such as the woods, metals and plastics used in the platform, frame and components are sensitive to moisture content and temperature and may make sounds in colder environments.

PAIRED OPERATION:

When operating a “paired” split base setup there may be a time latency up to 1.5 seconds between each bases articulation.

WEAR AND TEAR:

Wear and tear is damage that naturally and inevitably occurs as a result of normal use or aging.

Safety Precautions and Usage Statements

FABRIC CARE :

To prolong the life of your fabric, protect from direct sunlight whenever possible. For spot cleaning, wipe area with a light damp sponge or vacuum with a soft brush attachment to remove particles. Keep at a minimum of 30cm (12 inches) away from direct heat sources. For a deeper cleaning, blot liquid spills with a clean dry cloth. Wipe with a clean cloth dampened with warm water. Do not wet excessively. A soft bristle brush may be used to remove ingrained soil. Avoid scratching by gentle brushing. Wipe with a clean cloth dampened with warm water to remove residues. Dry in shade away from direct heat. If persistent marks remain visible after cleaning, seek professional advice.

PRODUCT RATINGS :

The lift motors are not designed to operate continuously for more than [2] minutes in an [18] minute time period or approximately 10% duty cycle. Attempting to circumvent or exceed this rating will shorten the life expectancy of the product and may void the warranty. The massage motors are not designed to operate continuously for more than 30 minutes at a time. Please allow the massaging system to rest for 30 minutes after automatic massage shut off before restarting.

WEIGHT LIMITS :

This product is not rated to support weights in excess of 750 pounds inclusive of the mattress and bedding. The base will structurally support this weight, provided it is evenly distributed across the bed base. The adjustable base is not designed to support or lift this amount in the head or foot sections alone. Exceeding this weight restriction could damage the bed and/or cause injury and will void the warranty.

IMPORTANT DO'S AND DON'TS

DO:

- Plug your adjustable base into a power surge protector.
- Evenly distribute weight when sleeping in a split setup. Uneven distribution of weight can cause the base to raise unevenly.
- Call Customer Service for any technical issues. Do not try to force the base down, this can damage the motors or frame.
- Use mild soap and water to clean your adjustable base if staining occurs.
- Keep in mind that adjustable bases are recommended to be used with adjustable friendly mattresses.
- Lower to the flat (horizontal) position after use and in between presets.

DON'T:

- Sit on corners/edges of base, this may warp the frame, struts or foam.
- Tilt the base on its side. This can damage the legs and/or leg screws.
- Stand or jump on the adjustable base at any time, this can damage the frame and motors.
- Drag the base to move it. Dragging the base could damage the frame, strip the nut/bolts or break the legs. Purchase castors if you plan on moving your base routinely.
- Enter and exit the adjustable base with the head and/or foot in the articulated position. Enter or exit your adjustable in the flat (horizontal) position.
- Tinker with or modify base. This will void the warranty.
- Press down on the head or foot while actuated can damage frame and motors.

Safety Precautions and Usage Statements

IMPORTANT – READ CAREFULLY – RETAIN FOR FUTURE REFERENCE

- You must ensure that the mattress is on the bed frame before operating the lift mechanism – Failure to do so could result in injury.
- Keep hands clear of the mechanism when opening or closing the ottoman.
- Beware of entrapment – Never reach in through the mechanism to access the storage area.
- Always ensure that the ottoman is FULLY opened before accessing the storage area.
- Do not exceed the maximum weight as specified in the table below:

Bed	Bed Size	Min Weight (kg)	Max Weight (kg)
Ergomotion	Double	20	50
	King	25	55
	Superking	10	30



Parts List

Before discarding the packing materials, ensure all the parts are accounted for.

All electronics and components that need to be installed are located in boxes under the base or attached to the frame.

A1) Wireless Remote Control and (3) AAA batteries~

A2) Power Cord

A3) Power Supply

B) Mattress Retainer Bar*

C) Battery Backup Strap
(9 volt alkaline batterie not included)

D) The Plum Blossom Nut (2)

E1) Bolts (M8x40mm) (8)

E2) Bolts (M8x20mm) (3)

E3) Bolts (M10x30mm) (4)

E4) Nuts (for M8 Bolt) (11)

E5) Washers (M8) (22)

E6) Allen Key (for M8 Bolt)

E7) Allen Key (for M10 Bolt)

E8) Internal hexagonal wrench (for M8 Bolt)

F) Connecting Parts (2)














Misc Parts (not included):



G) Surge Protector

H) 9 Volt Alkaline Batteries (2)

* These items are attached to the base for shipping purposes. Carefully remove from base and set aside.

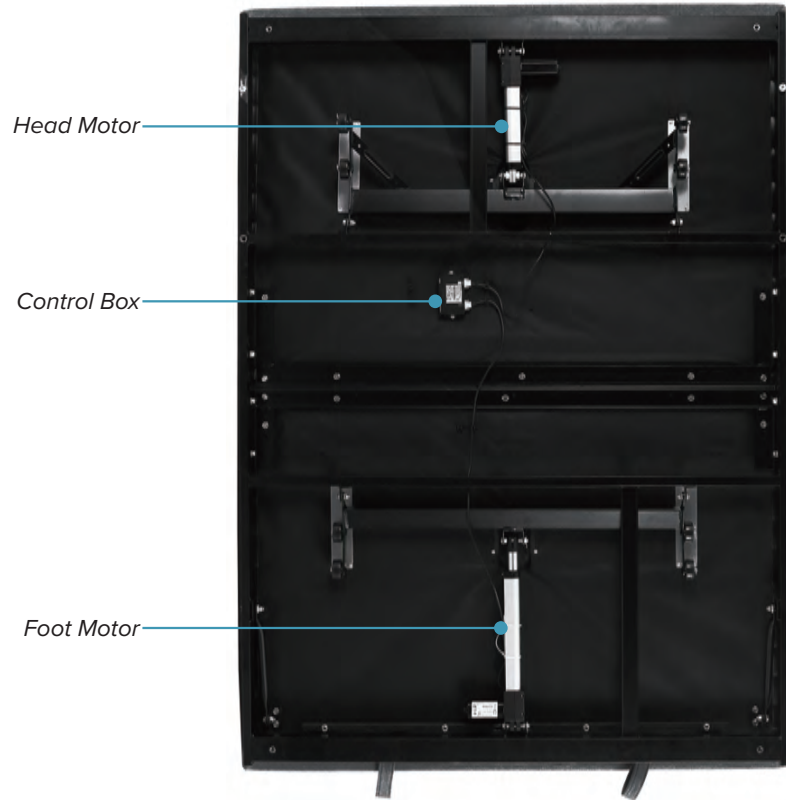
~ If the battery is not used for a long time, it needs to be changed.

A1)~ 	A2) 	A3) 	B)* 
C) 	D) 	E1) 	E2) 
E3) 	E4) 	E5) 	E6) 
E7) 	E8) 	F) 	

MISC Parts (NOT INCLUDED)	
G) 	H) 

IMPORTANT! For your safety, read the owner's manual carefully and completely before operating this product. Electric shock may occur if electrical components are not installed or operated according to these guidelines.

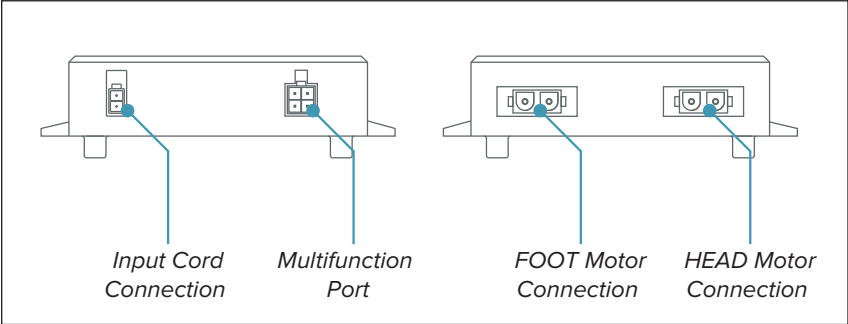
Base and Remote Overview



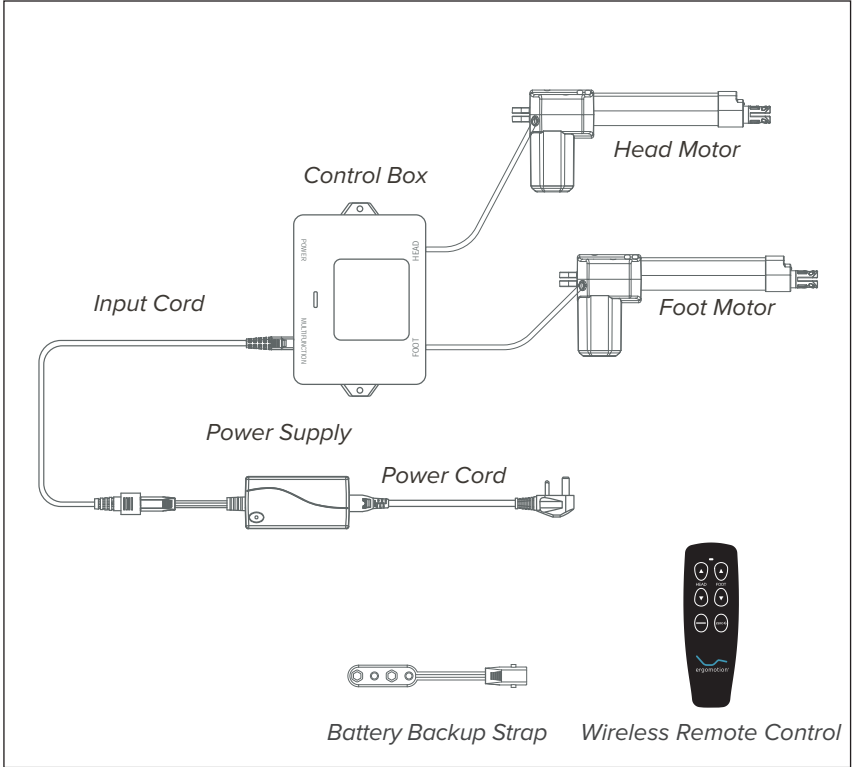
Quick Reference Guide

Not to scale. For illustration purposes only. Read all instructions before beginning installation.

CONTROL BOX OVERVIEW



ELECTRONICS OVERVIEW



Installation Guide

Always use two people when setting up the base.

STEP 1

Place the bed base box in a desired location with the top of the box facing up. Remove the binding straps and packing materials, making sure not to puncture the box with any sharp objects.

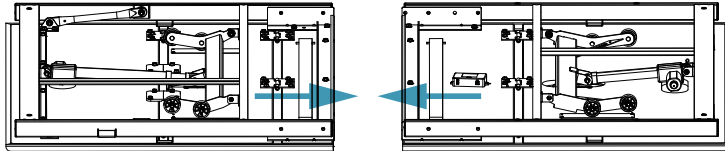


STEP 2

Remove the bed base from the box keeping the bottom of the base facing upwards.

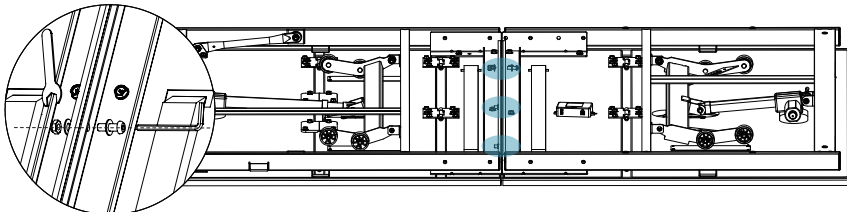
STEP 3

Align the frames front to back and join them together.



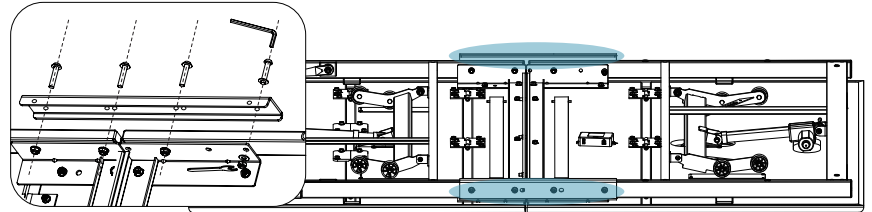
STEP 4

Lock the bed frame in place by inserting the middle screw through the washer (three places). Install the screws in the direction from the head part towards the foot part.



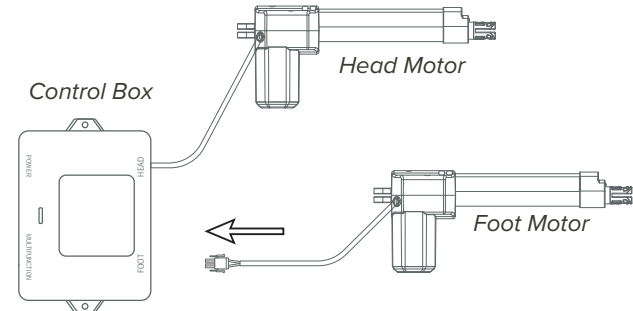
STEP 5

Fasten the sheet metal parts on the sides and secure the sheet metal parts to the bed frame with screws through the spacers. Note: The side of the sheet metal part with the small hole faces upwards.



STEP 6

Connects foot motor to the main control box in the head part.



STEP 7

Locate the Battery Backup Strap and set it aside. Be sure that it is accessible after the base is set up.



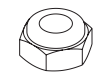
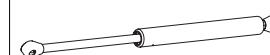
Assemble Storage Bed

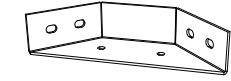
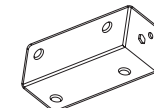
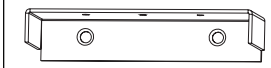
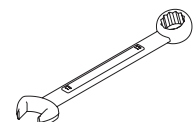
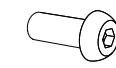
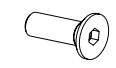
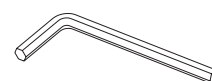
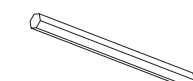
STEP 1

Take the headboard, side rails and foot board out of the packing box.

STEP 2

Find all the accessories.

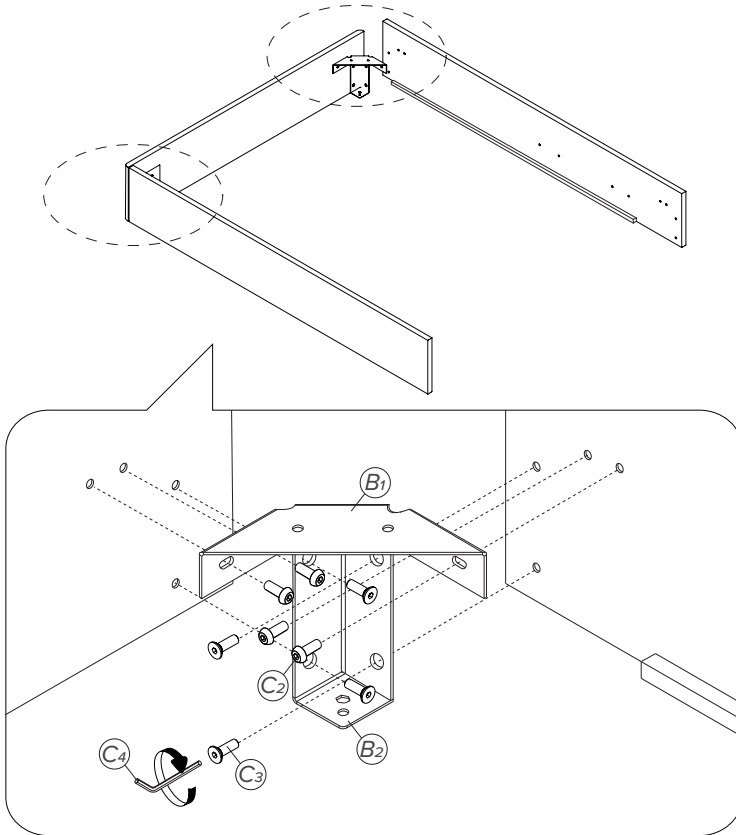
<p>A1)</p>  <p>Left Storage Bed Connecting Part (1) Right Storage Bed Connecting Part (1)</p>		
<p>A2)</p>  <p>Washers (8)</p>	<p>A3)</p>  <p>M8 Nuts (4)</p>	<p>A4)</p>  <p>Pistons (2)</p>

<p>B1)</p>  <p>Frame Connecting Parts (4)</p>	<p>B2)</p>  <p>Frame Connecting Parts (4)</p>	<p>B3)</p>  <p>Support Elements (2)</p>
<p>C1)</p>  <p>Spanner (2)</p>	<p>C2)</p>  <p>M8x25 M8 Screws (16)</p>	<p>C3)</p>  <p>M8x25 M8 Screws (28)</p>
<p>C4)^</p>  <p>M8 Wrench (1)</p>	<p>C5)^^</p>  <p>M8 Internal Hexagonal Wrench (1)</p>	
<p>^ Manually use. ^^ Use with corresponding electric tools (electric tools are not provided).</p>		

Assemble Storage Bed

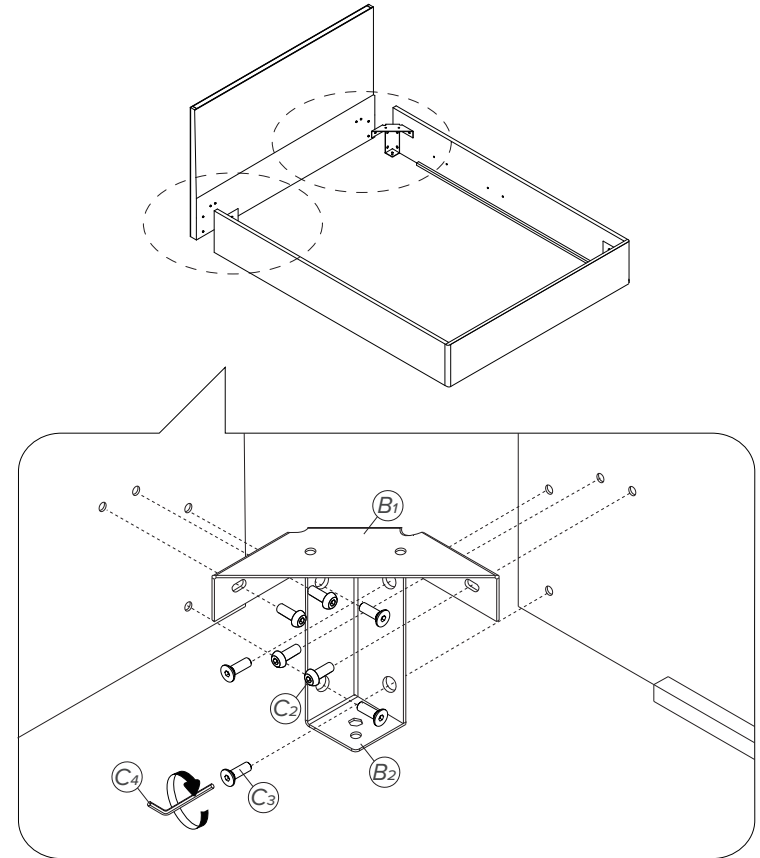
STEP 3

Use M8 screws to fix the left and right side rails with foot board.



STEP 4

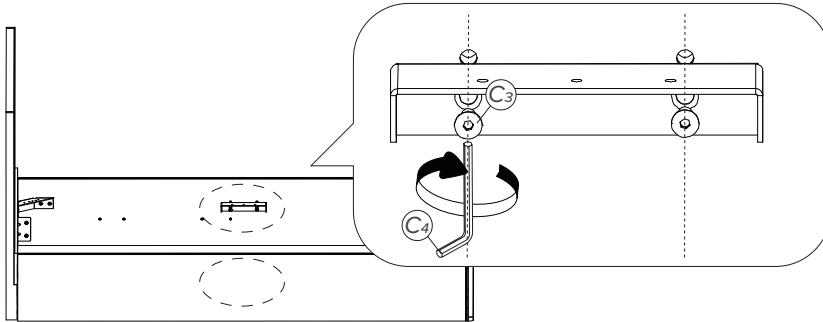
Use M8 screws to fix the side rails with headboard.



Assemble Storage Bed

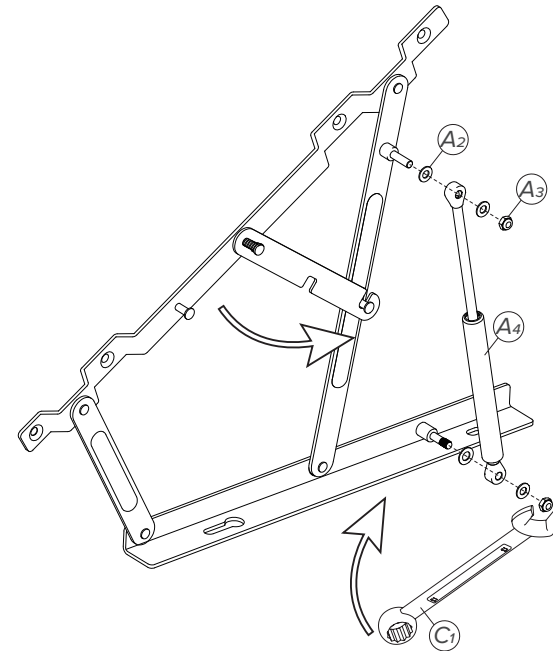
STEP 5

Fix the parts on both sides of the sides with M8 screws.



STEP 6

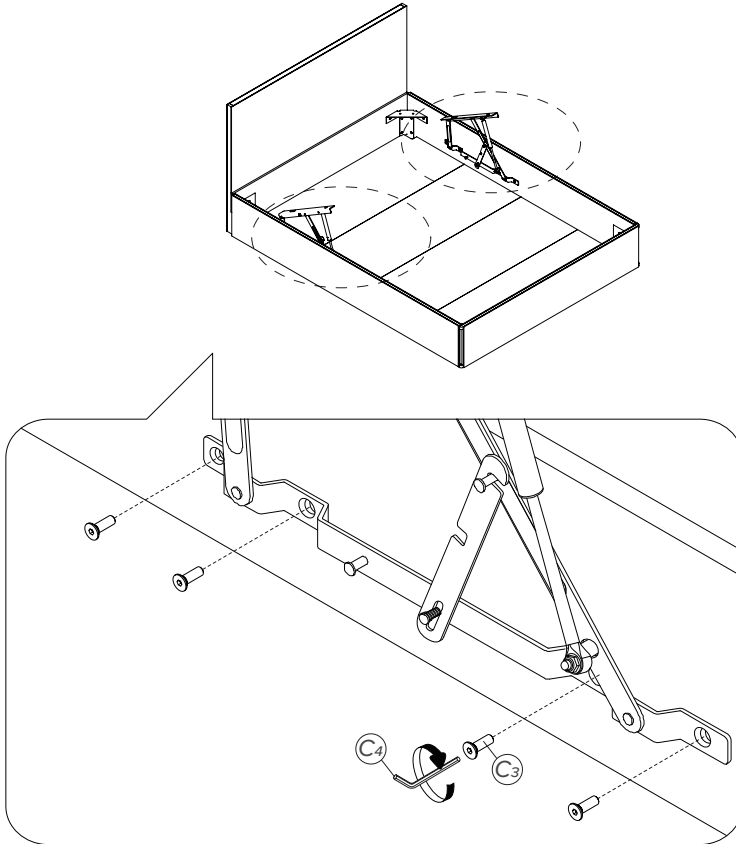
Use four washers and two M8 nuts to assemble the piston and hinge mechanism. Finally, lock the safety catch on the four-link mechanism.



Assemble Storage Bed

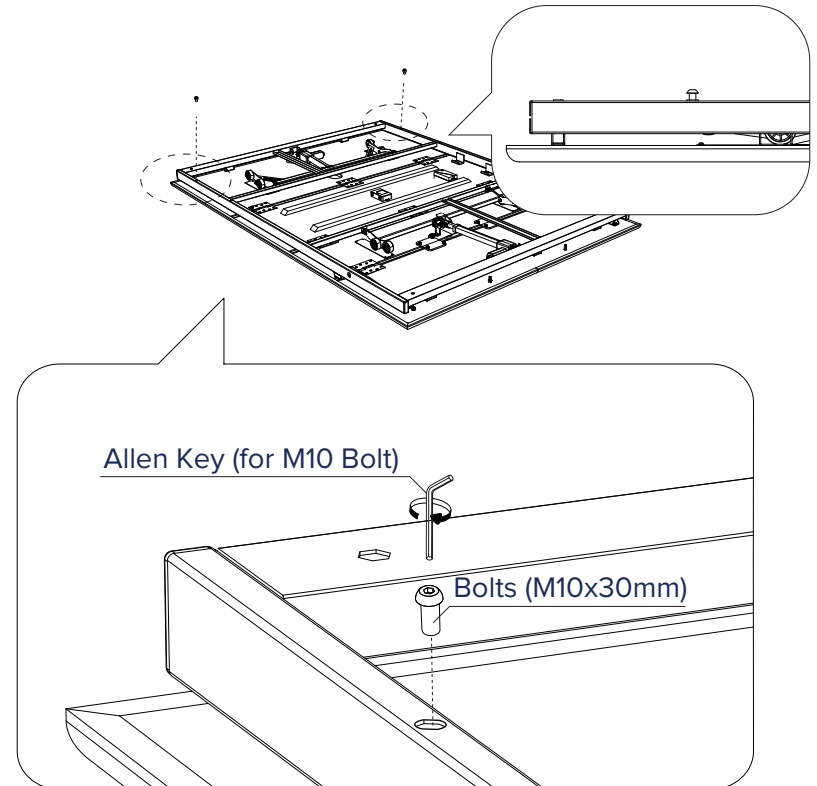
STEP 7

Fix the hinges to the side rails with M8 screws.



STEP 8

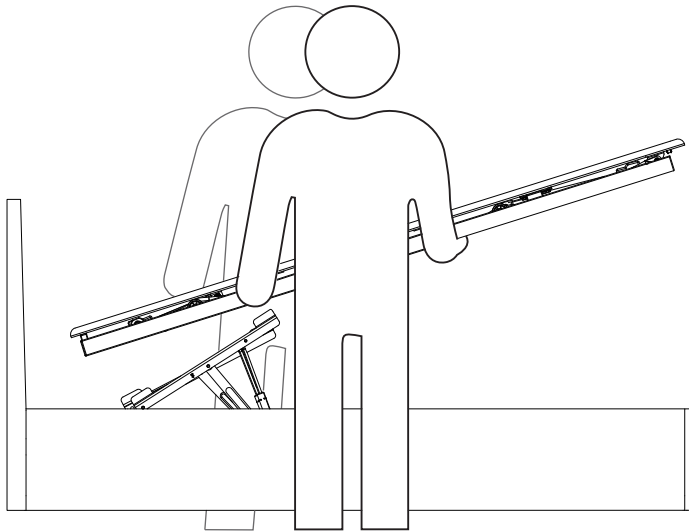
Fix two M10 Bolts half in the frame. Allen Key (for M10 Bolt) and Bolts (M10x30mm) are in the base accessory kit.



Assemble Storage Bed

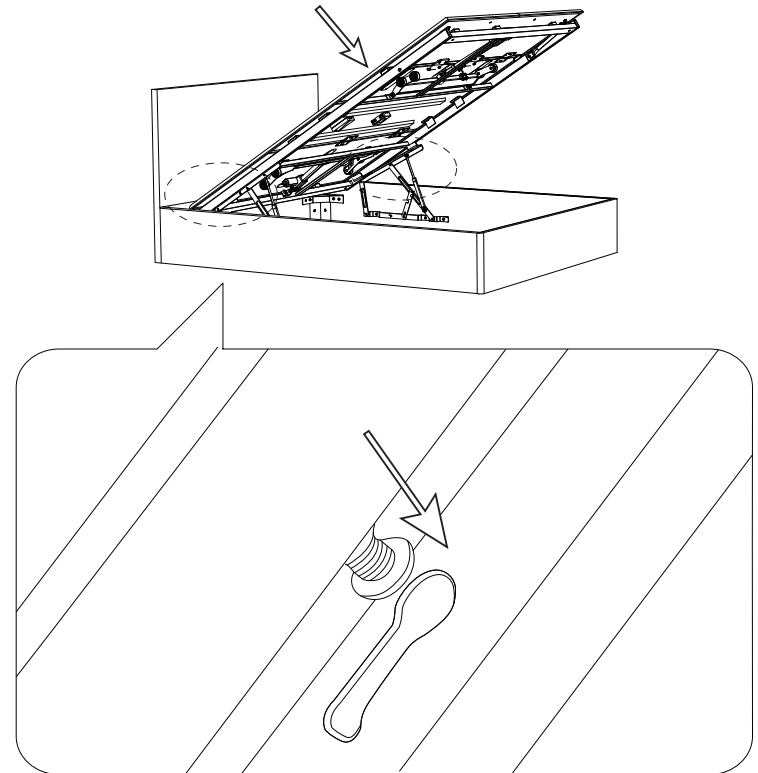
STEP 9

Two people stand by the bed and cooperate to raise it.



STEP 10

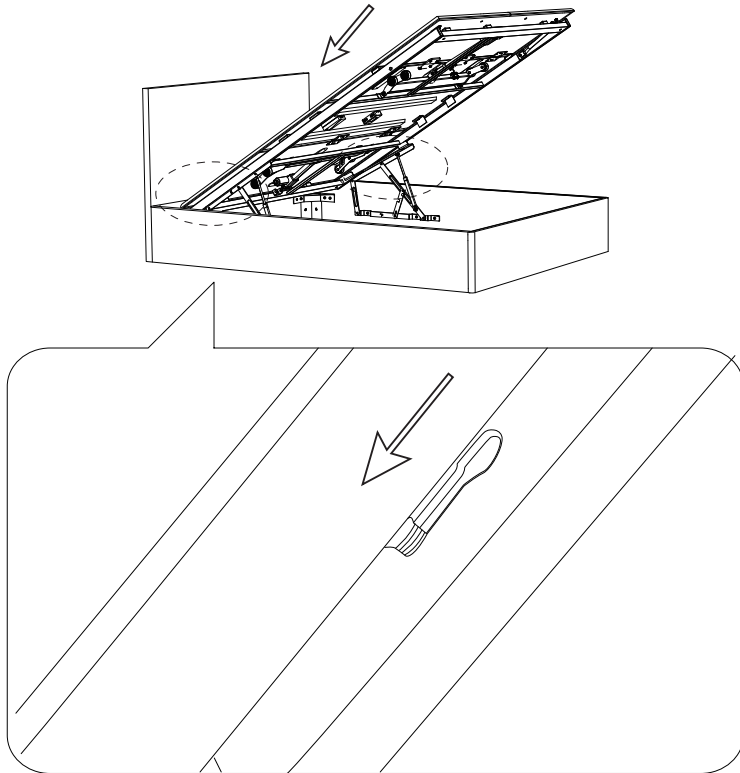
Align and insert the M10 Bolts on the frame to the hole position of the hinges.



Assemble Storage Bed

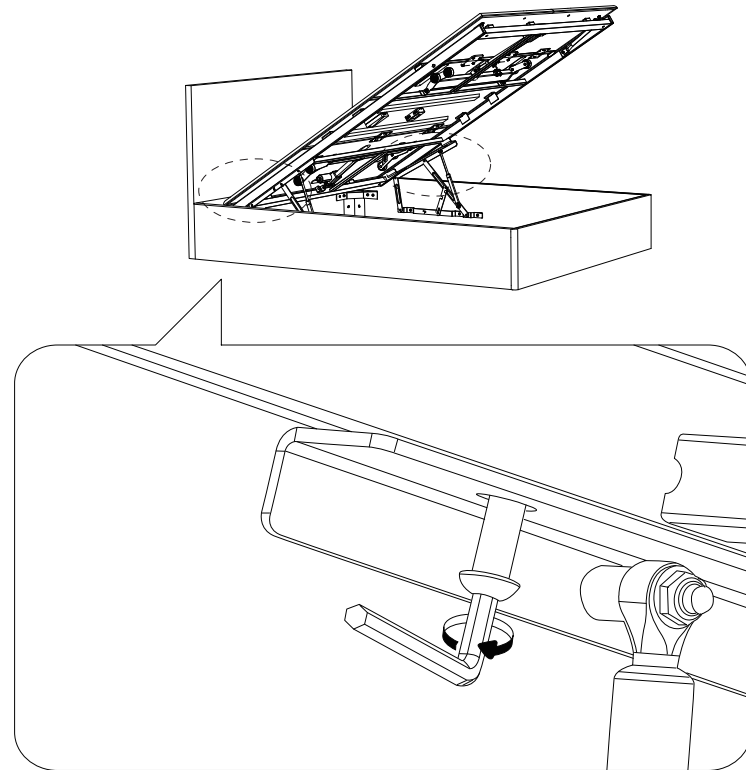
STEP 11

Slid the frame M10 Bolts to the bottom of the hole position of the hinges. Tighten M10 Bolts x2 in STEP 8.



STEP 12

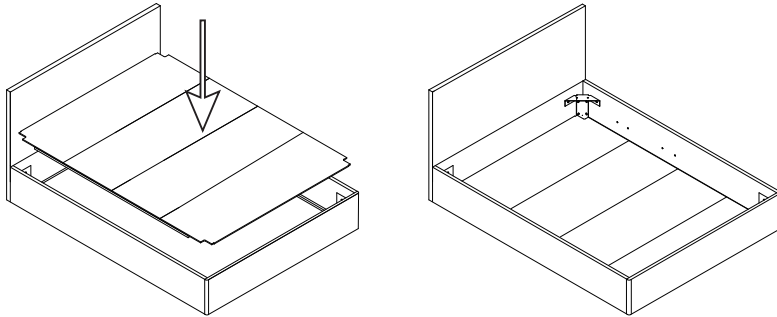
Tighten M10 Bolts x2 with a Allen Key (for M10 Bolt).



Assemble Storage Bed

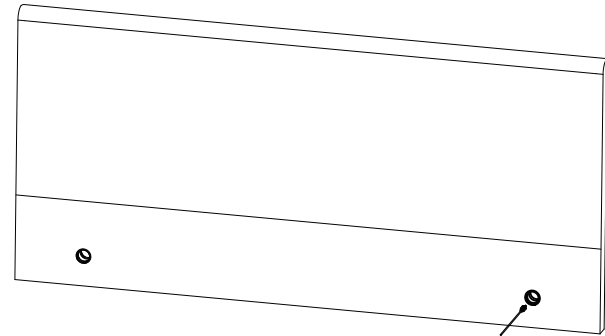
STEP 13

Insert the base boards.



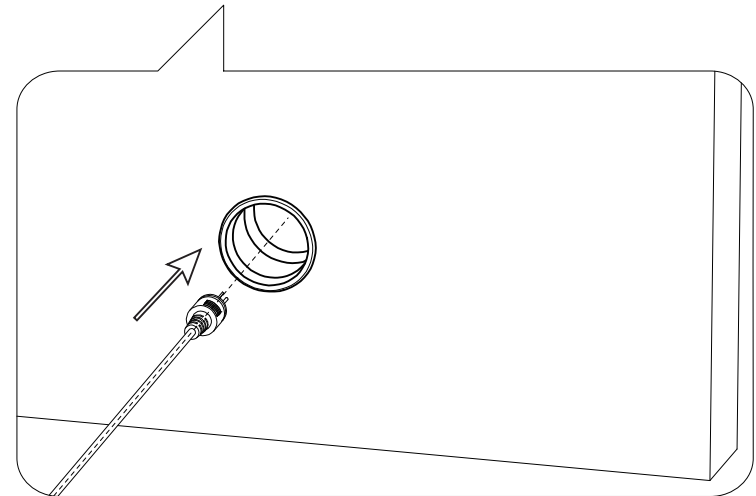
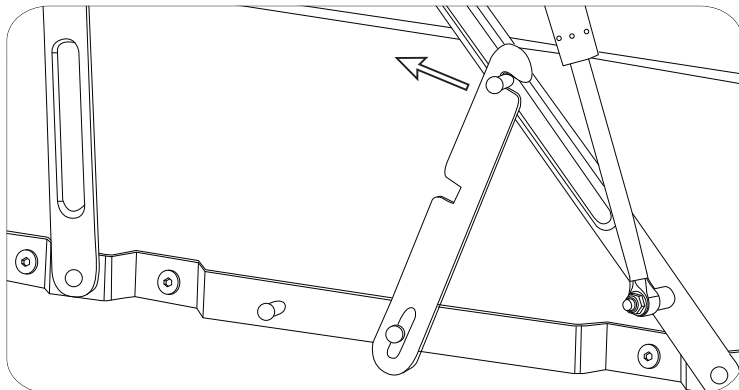
STEP 15

Pass the DC line through the headboard hole.



STEP 14

After the bed lifting, please fasten the safety buckle of the connecting rods to prevent the bed to fall. Please loosen this safe buckle when you want to lower the bed.



Assemble Storage Bed

STEP 16

Uncoil Input Power Cord (connected to Control Box's power port) and plug into Power Supply.



STEP 17

Uncoil the Power Cord and connect to the Power Supply. Place Power Supply on the ground and extend from the base. Ensure that the Power Supply and all attached cords are directed toward the desired Surge Protector.



Note: Power Supply should be placed out of the storage bed.

STEP 18

Plug the power cord into a power source.

A surge protector is recommended.

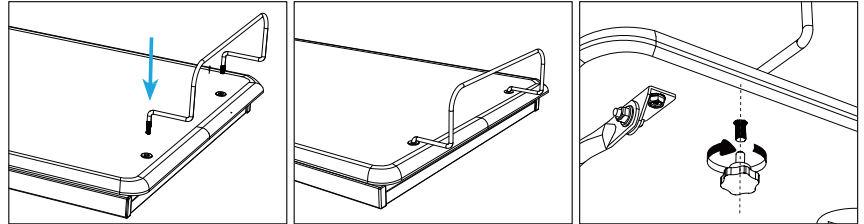
STEP 19

To pair remote control, see details on page 19.

Quickly test remote functions to verify proper setup before placing mattress on base. Return the base to a flat position before placing the mattress on top.

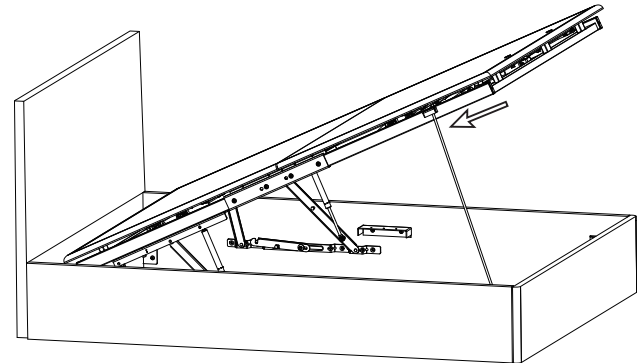
STEP 20

Install the mattress holder by inserting both ends of the holder into the hole until one end of the mattress holder passes through the bottom of the bed and then secure with the plum nuts.



INSTRUCTION FOR USE OF SAFETY GEAR LEVER

When the ottoman platform is at its highest position locate the safety lever bar and insert into the retaining point. When you want to lower the ottoman return the safety lever bar to its original position. Always ensure that the safety lever bar is in position when the ottoman is opened.



Remote Control

Remote Control arrives paired to the adjustable base.
Three (3) AAA batteries are required to operate the remote.



BUTTON OVERVIEW



HEAD

Head Position Adjustments

Use to raise and lower the head section of your adjustable base.



FOOT

Foot Position Adjustments

Use to raise and lower the foot section of your adjustable base.



Bed FLAT Button

Press the button to return both the head and foot to a FLAT position.



Zero G® Preset Position

Zero G® adjusts your legs to a higher level than your heart helping to relieve promote circulation.

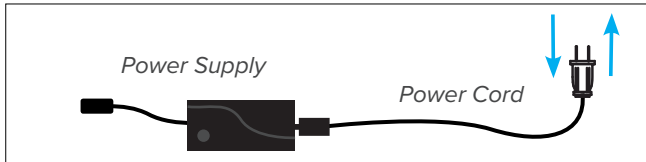
Remote Control Pairing

Remote Pairing

The remote is not paired with the base, please follow the steps below to pair remote before using.

STEP 1

Unplug the Power Cord from your power outlet. Wait 1 minute, then plug it back in to your power outlet. Perform Step 2 within 10 seconds, while the control box light is illuminating.



STEP 3

The remote is now paired to the adjustable base. Test all remote functions. If the remote buttons do not impact the adjustable base movements, please repeat the process again.

STEP 2

Remove the back cover of the remote, press and hold down the PAIR button. The PAIR button will illuminate and start to flash. When the PAIR button stops flashing, the LED light on the control box will stop flashing. Release the PAIR button. The remote is now paired to the adjustable base.



Battery Backup Strap

For emergency use only, in case of a power outage.

Batteries are not to be used for normal operation of the bed.

STEP 1

Disconnect the Power Supply from the input power cord.

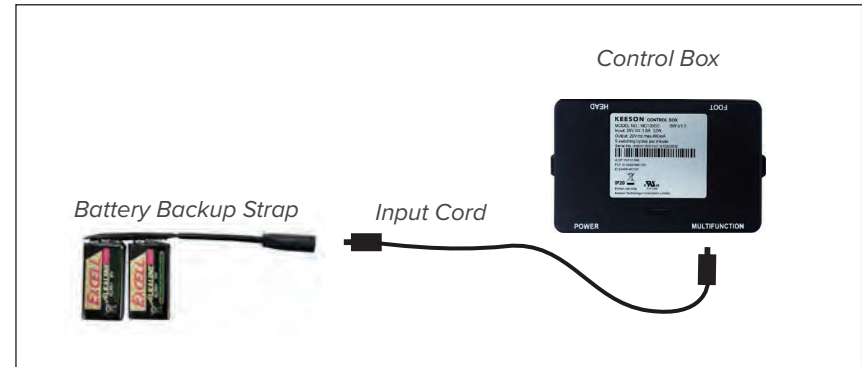
STEP 2

Connect the Battery Backup Strap to the (2) Alkaline 9 Volt batteries. Do not mix brand name Batteries.



STEP 3

Connect the end of the Battery Backup Strap to the input power cord that is attached to the control box.



STEP 4

Use the remote to return the base to a flat position.

Note: Detach the Battery Backup Strap and reconnect the power supply after the emergency is over, as the system will continue to draw power from the batteries even if not in use.

Important Safety Warnings

- You must ensure that the mattress is on the bed frame before operating the lift mechanism – Failure to do so could result in injury.
- Keep hands clear of the mechanism when opening or closing the ottoman.
- Beware of entrapment – Never reach in through the mechanism to access the storage area.
- Always ensure that the ottoman is FULLY opened before accessing the storage area.
- Do not exceed the maximum weight as specified in the table below:

Bed	Bed Size	Min Weight (kg)	Max Weight (kg)
Ergomotion	Double	20	50
	King	25	55
	Superking	10	30

- Use caution when operating, always use the handle when lifting.
- Note: This bed uses a pressurised mechanism.
- To be operated by adults only.
- Please ensure that children and pets are kept away from the bed when operating the lift mechanism.
- Keep children and pets away from the storage area.
- Do not overload the internal storage base.
- Do not stand inside the internal storage area of the bed.
- Before removing the mattress secure the frame to ensure it does not open unexpectedly.
- Do not attempt to lie on the mattress when the ottoman is in the raised position.
- When lifting the ottoman remove all bedding except the fitted sheet.
- The safety lever should always be in place when using the ottoman section.



Troubleshooting

If one or more functions on the bed base have stopped operating:

- Check under the bed base to verify that the wired connections are secure and that there are no cords or bedding obstructing the movement of the base.
- Check to ensure the blue LED light is illuminated on the control box. If there is no light, verify that the input and power cords are properly connected.
- Unplug the base for 1 hour to reset the electronic components.
- Plug bed base into a different electrical outlet, or test current outlet with another working appliance (a grounded, electrical surge protector is recommended).
- Remove and replace full batteries in the remote control and re-pair the remote to the base (see page 18).

If issue is not resolved by following the instructions above, please visit the website and find the contact us section or contact customer service on 0800 652 6750.

