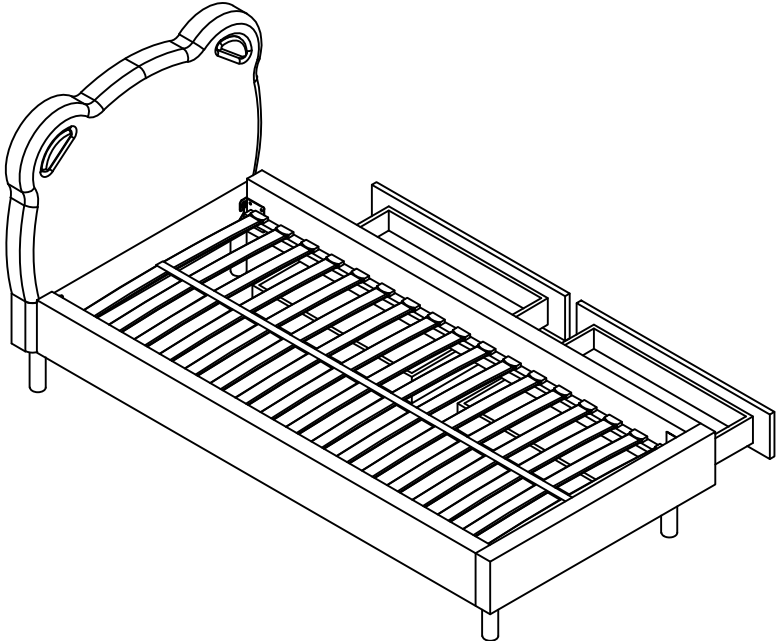
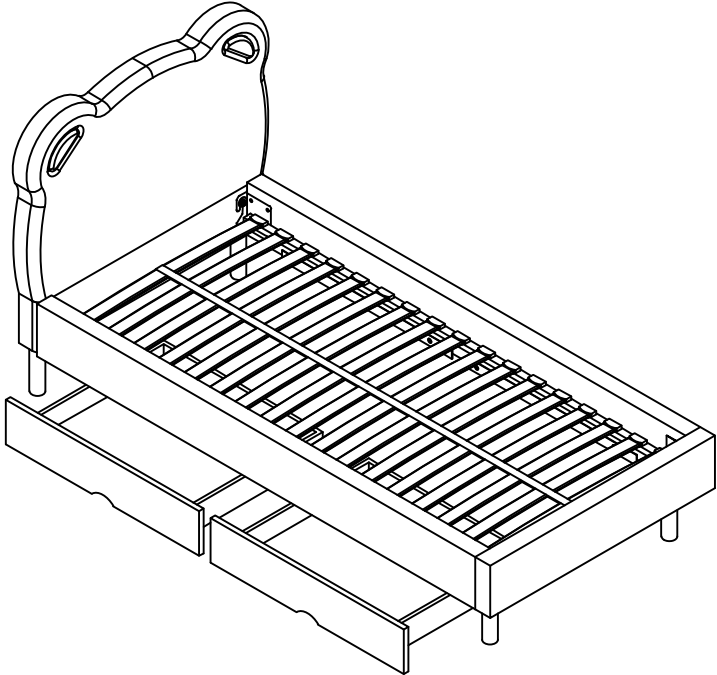


# Ella Kids Bed

## Single



1 hour approx  
assembly time



Two person  
assembly

# Dreams

Love your bed

# Thank you

Hello, thanks for choosing to purchase your bed from Dreams - you're now on your way to your best ever night's sleep. Before you begin building your bed, please take a moment to read through the instructions and make sure that you've got all the relevant parts listed on the following pages.



## Assembly tips

Before you begin, it's best to identify all parts and fittings to build your bed. We advise laying these out on the floor to check you have everything, and familiarising yourself before building.



## Top tip

We recommend that you build your new bed in the room you'd like it to be located - this will help prevent any risk of damage to your newly built bed whilst moving it.



## Safety and care

It's really important to ensure children and animals are kept away from the assembly area, as there are small components used in this bed which could present a choking hazard. All plastic and wrapping materials should also be kept away from children and animals to prevent any risk of suffocation. To keep your little ones busy, there is a colouring page inside the back cover.



## Help and support

At Dreams, it's our mission to give the whole nation a great night's sleep - this means that the quality of our products is of utmost importance to us. If there are any issues with your product or any missing parts, please visit our website at [www.dreams.co.uk/help](http://www.dreams.co.uk/help)



## Recycling

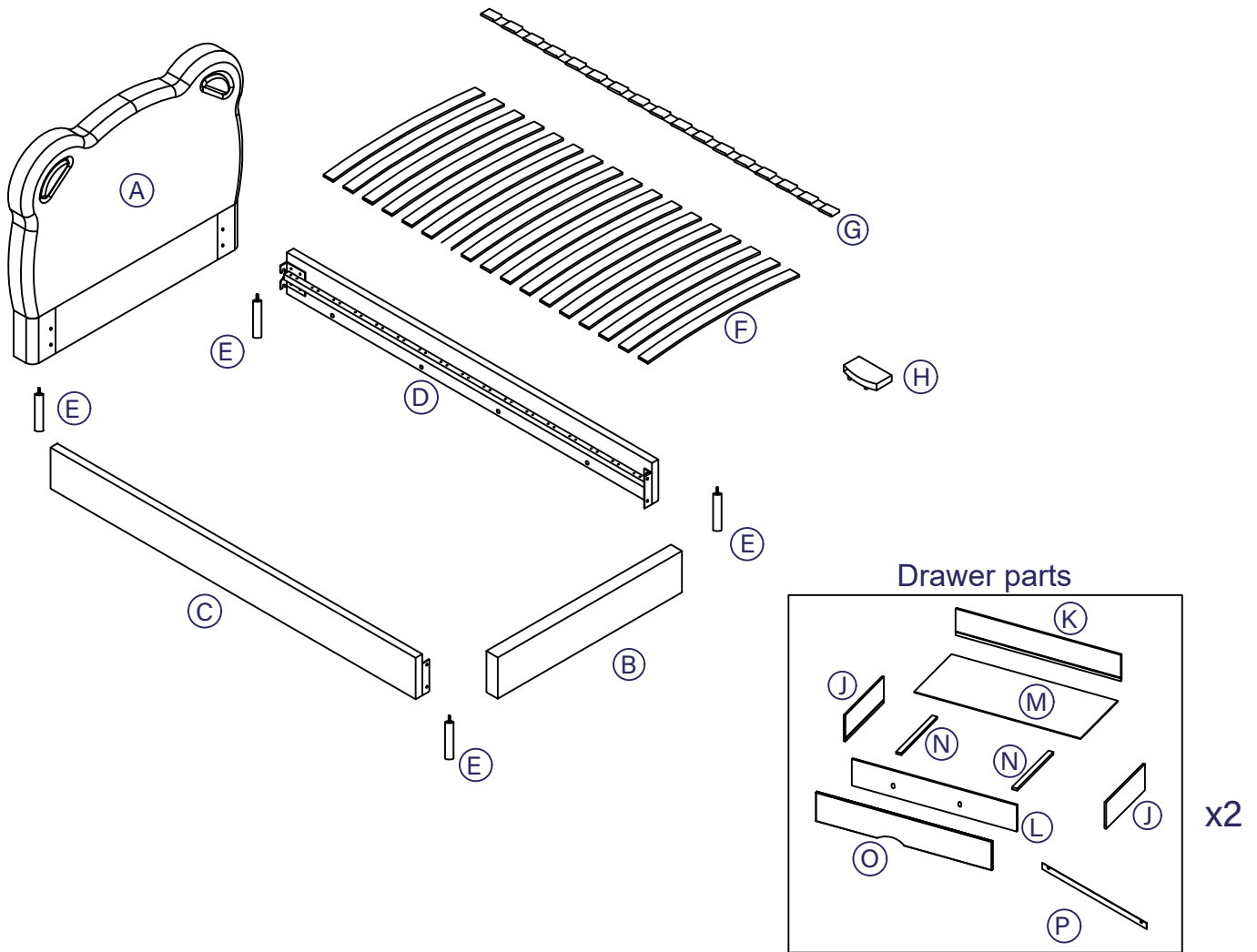
Please ensure that packaging is disposed of in a safe and environmentally friendly way, and recycle where possible. Our assembly instructions are printed on recycled paper. Please keep your assembly instructions safe to refer back to in the future.

# Parts

## Important information

Please identify which base you have purchased with your bed frame as the assembly method may change. Once you have identified you have all of the relevant parts and fittings, please follow the instructions for your chosen base below;

Page (3 to 10)



## Parts list

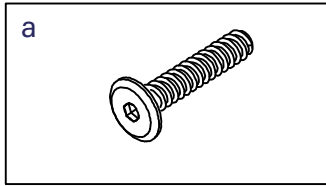
A.	Headboard	1	J.	Drawer Side Panel	4
B.	Footboard	1	K.	Drawer Back Panel	2
C.	Side Rail - Left	1	L.	Drawer Front Panel	2
D.	Side Rail - Right	1	M.	Drawer Base Panel	2
E.	Wooden Leg	4	N.	Drawer Base Support Rail	4
F.	Bentwood Slat	17	O.	Drawer Face Panel	2
G.	Slat Belt	1	P.	Drawer Stop	2
H.	End Cap	34			

# Fittings

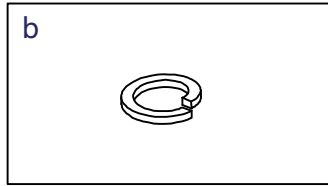
Please check you have all the parts listed below with your product:

**PLEASE NOTE:** There are bolts which have been pre-fitted to the headboard (A) not included below - please study Step 2 carefully.

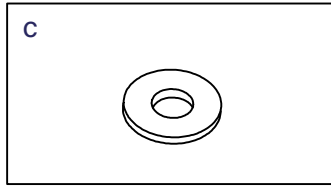
Hardware pack (A) needed for fixing side rails to footboard - packed in side rails - Pack 2



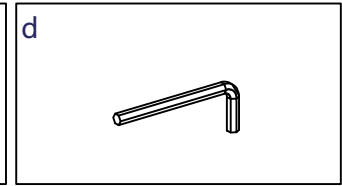
Ref: Bolts (M8x30mm)  
Quantity: 4pcs



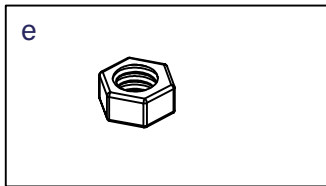
Ref: Spring Washer For M8  
Quantity: 6pcs



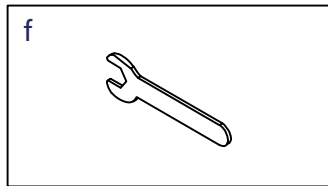
Ref: Flat Washer For M8  
Quantity: 6pcs



Ref: Allen Key for M8 bolt  
Quantity: 1pc

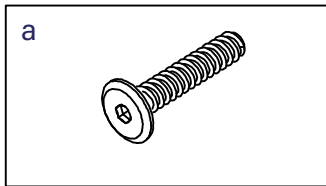


Ref: Nut For M8 Bolts  
Quantity: 2pcs

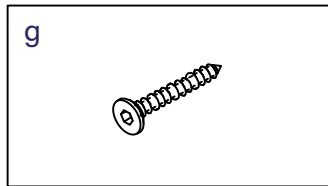


Ref: Spanner for M8 Nuts  
Quantity: 1pc

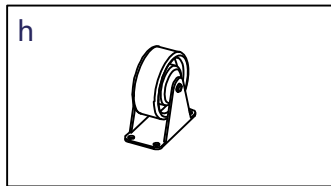
Hardware pack (B) needed for drawer assembly two drawers - Pack 3 x2



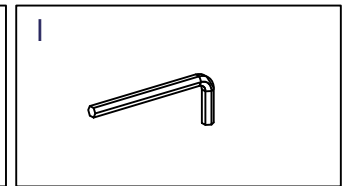
Ref: Bolts (M8x30mm)  
Quantity: 2pcs



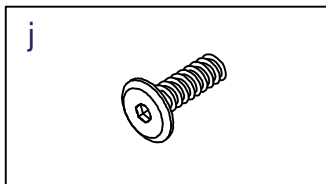
Ref: Carcass Screw (Ø5x45mm)  
Quantity: 12pcs



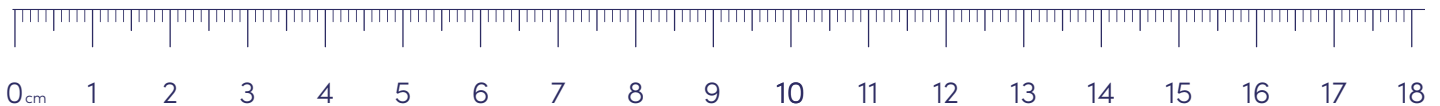
Ref: Drawer Wheels  
Quantity: 4pcs



Ref: Allen Key for Carcass Screws  
Quantity: 1pc



Ref: Bolts (M8x15mm)  
Quantity: 2pcs



# Tools required

Please check you have all these below:



Flathead screwdriver



Scissors



Spanner



Tape measure



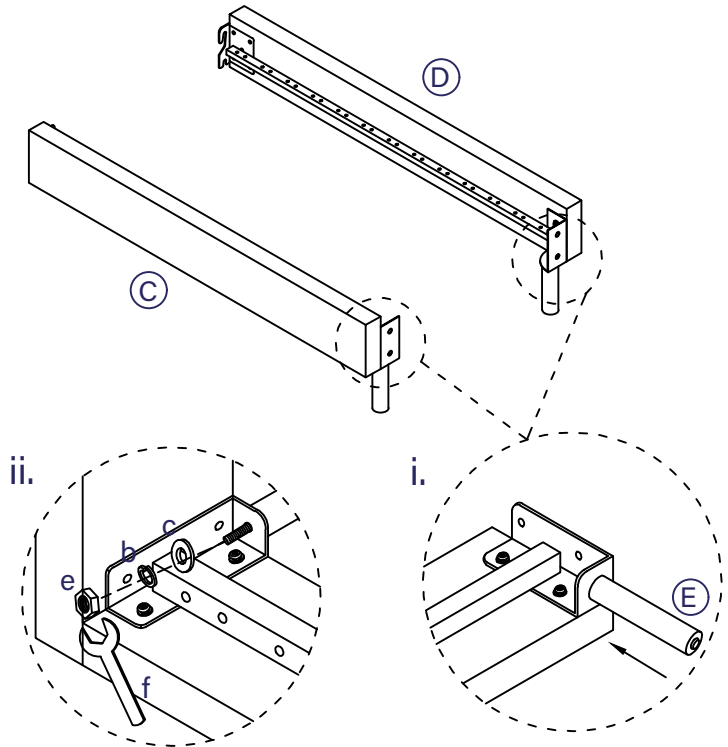
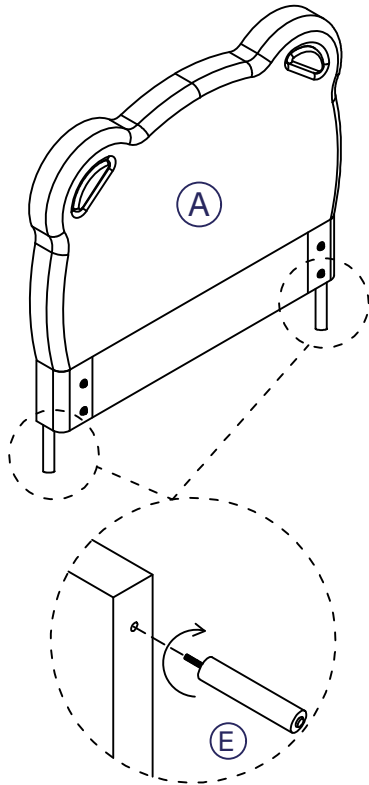
Cross head screwdriver

# Bed Frame assembly

Use pack 1 and pack 2

1

- e  x2
- b  x2
- c  2
- f  x1



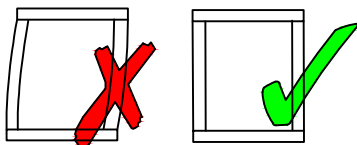
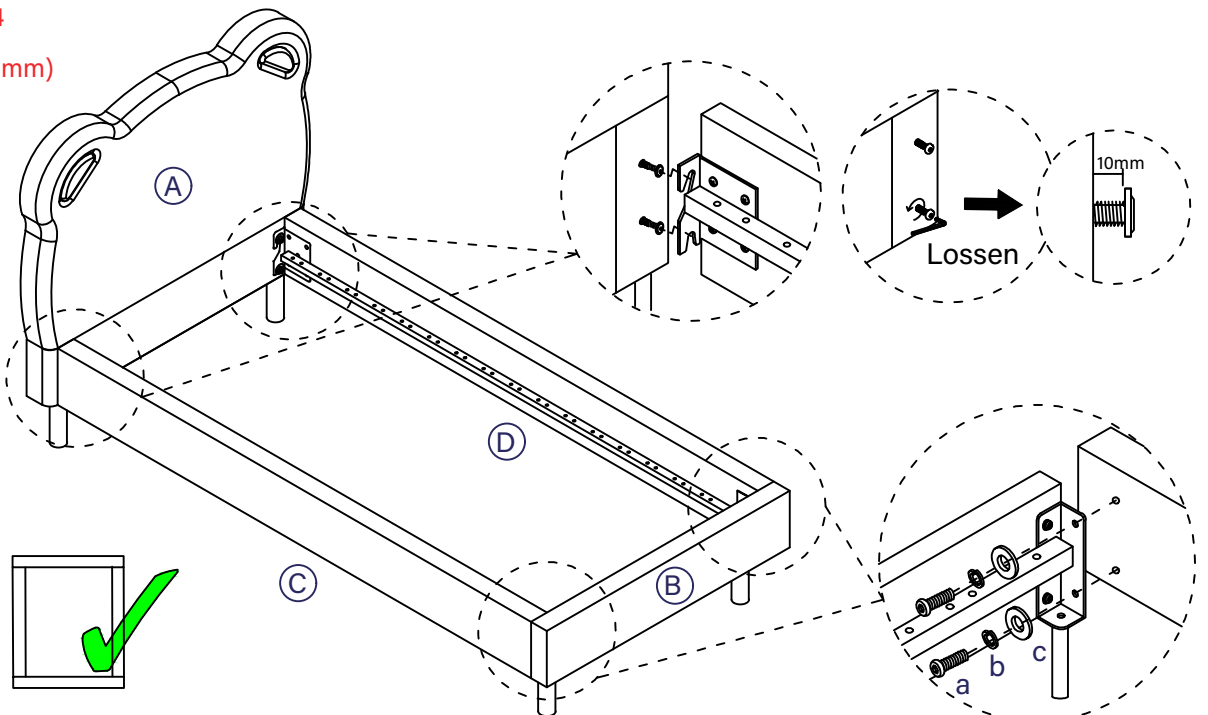
## 2 Assemble the bed

- a  x4
- b  x4
- c  4
- d  x1

Hardware pre-fitted to the headboard(A)



Bolts (M8x30mm)



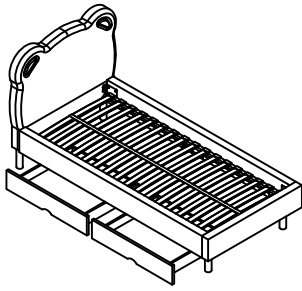
Make certain the bed is squared up as shown in the diagram then tighten all bed assembly bolts 100%.

# Bed Frame assembly

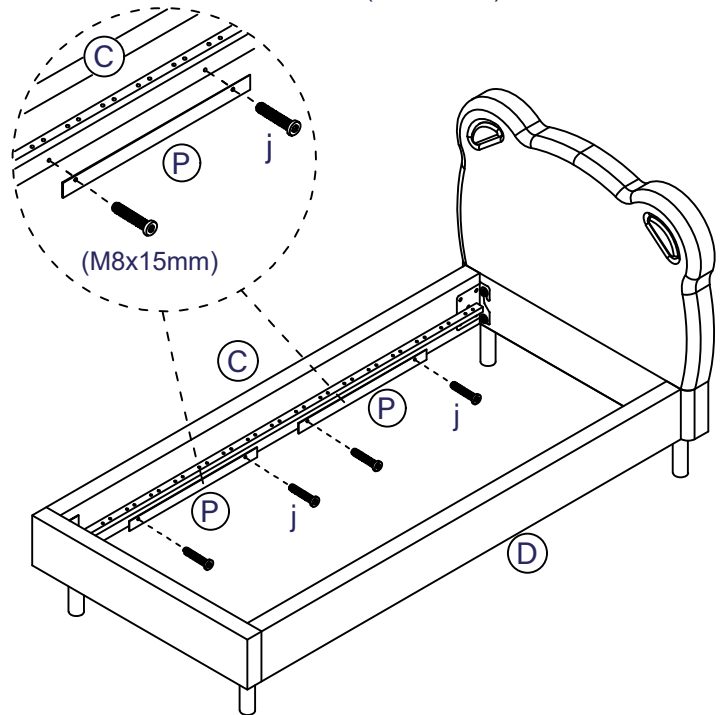
Use pack 3

**3a**

j  x4  
(M8x15mm)      d  x1



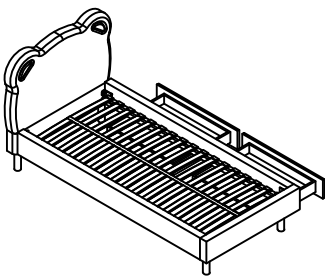
TO INSTALL THE DRAWERS ON THE LEFT HAND SIDE OF THE BED, FIT THE STOPPERS (P) ON THE LH SIDE AS SHOWN.



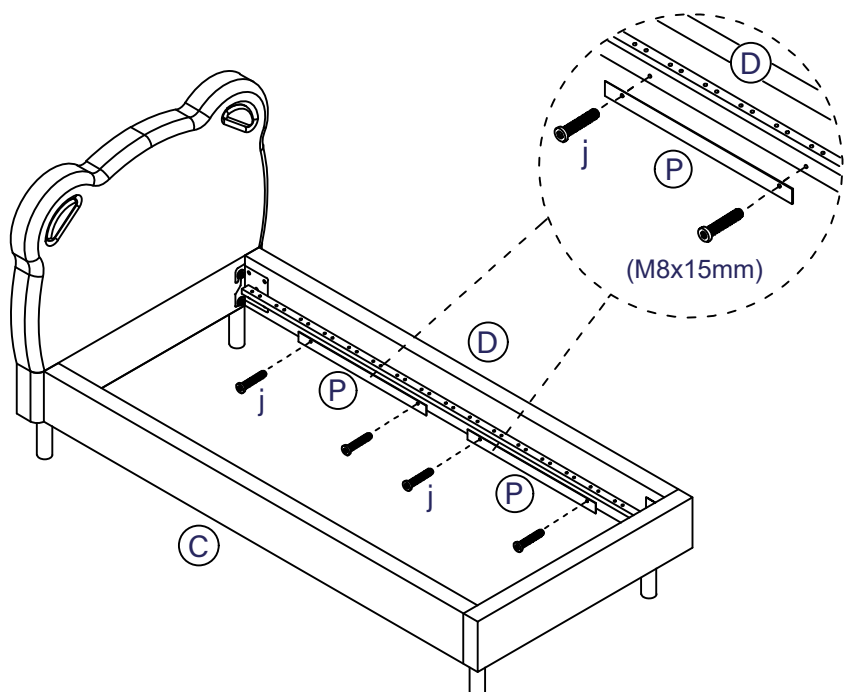
Use pack 3

**3b**

j  x4  
(M8x15mm)      d  x1



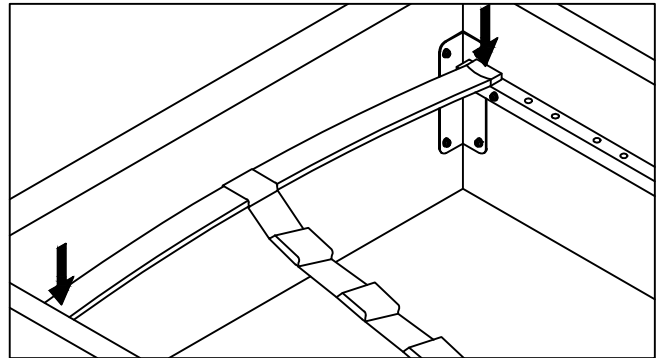
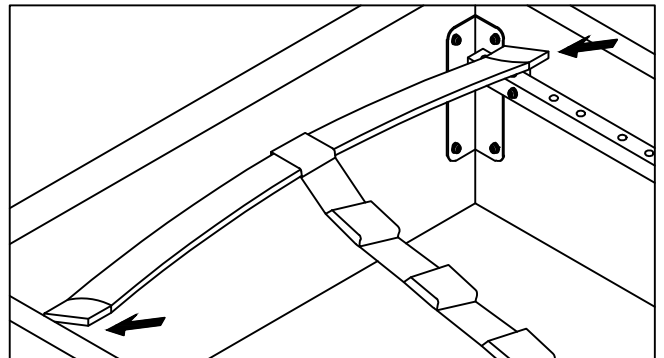
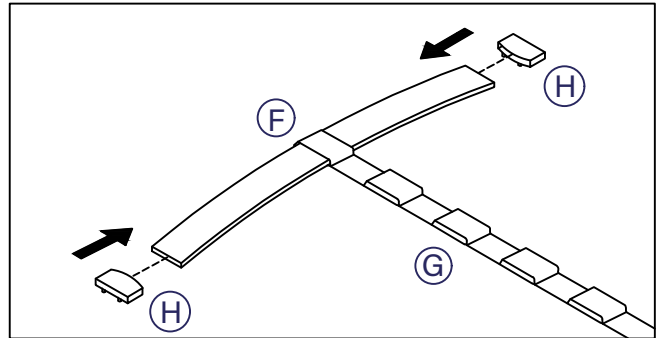
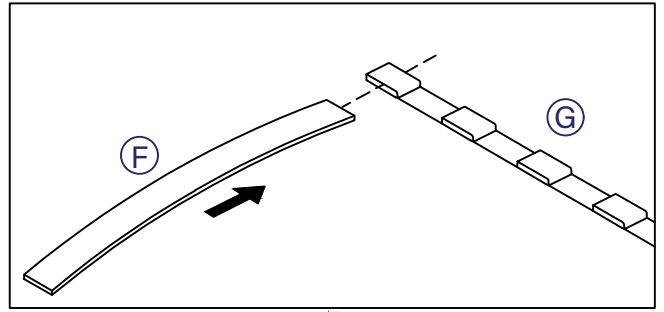
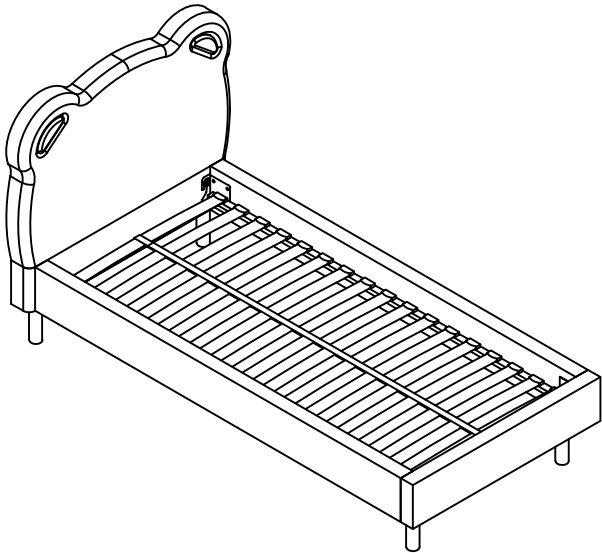
TO INSTALL THE DRAWERS ON THE RIGHT HAND SIDE OF THE BED, FIT THE STOPPERS (P) ON THE RH SIDE AS SHOWN.



# Bed Frame assembly

Use pack 2

4



x17

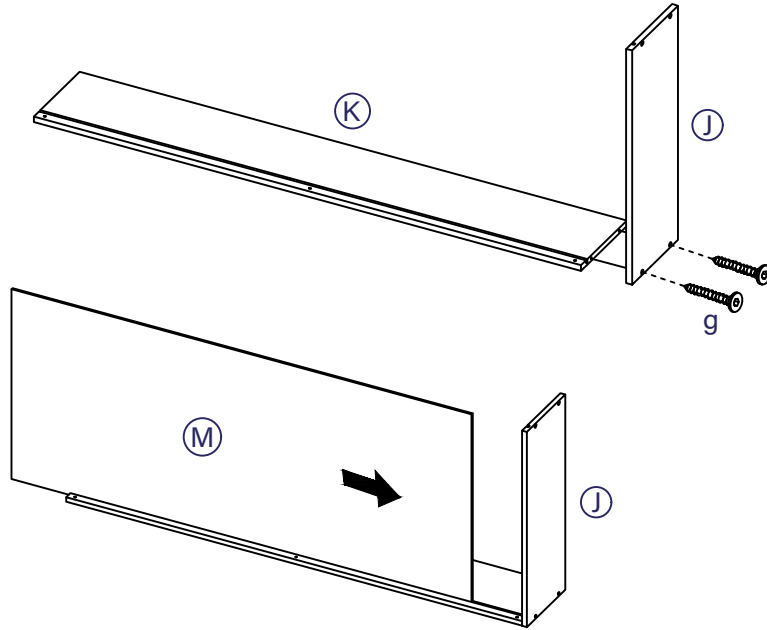
# Bed Frame assembly

Use pack 3

**5**

Single x2

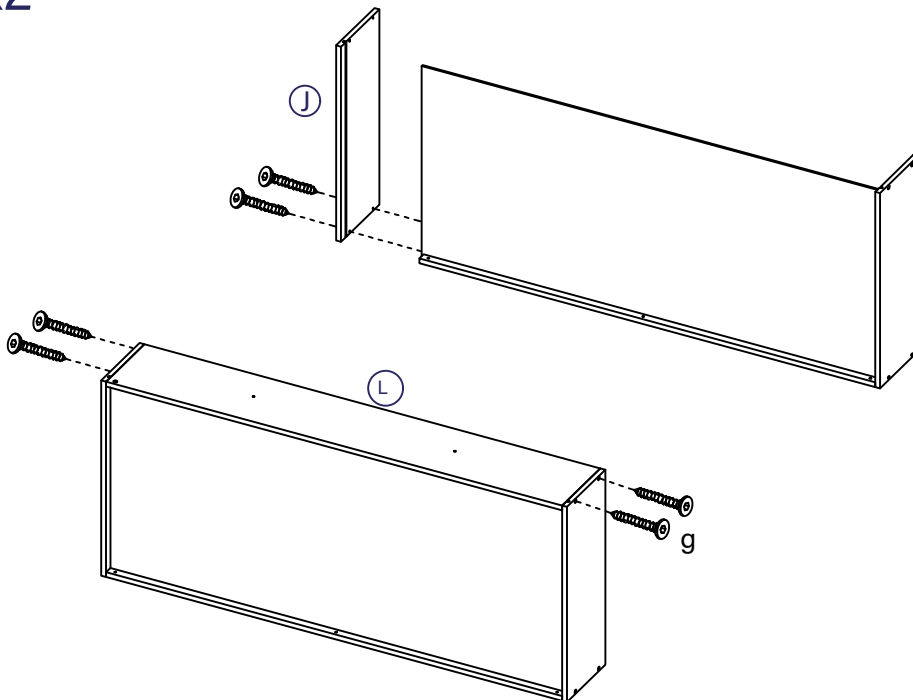
g  x4 |  x1



**6**

Single x2

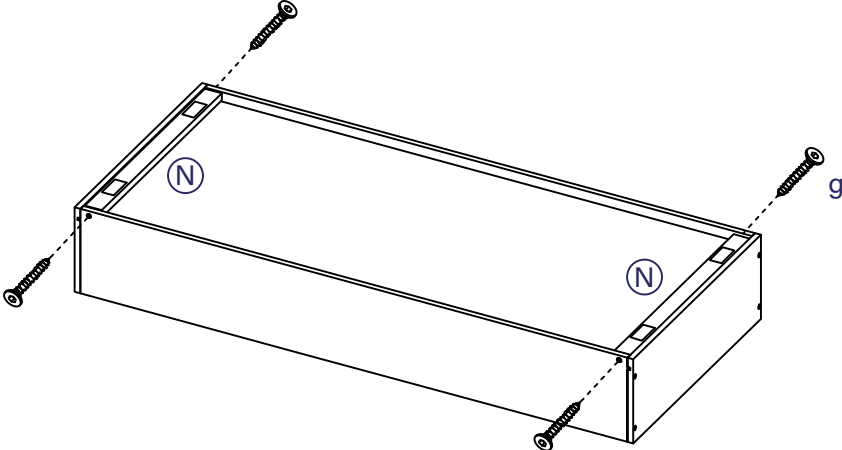
g  x12 |  x1



# Bed Frame assembly

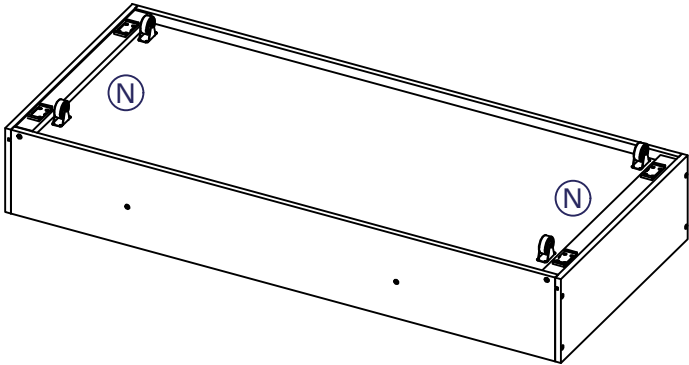
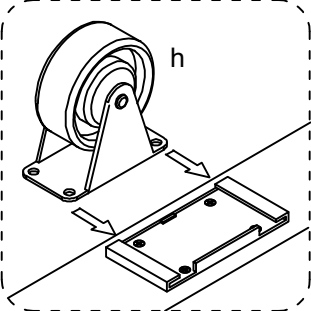
7

Single x2



8

Single x2



# Bed Frame assembly

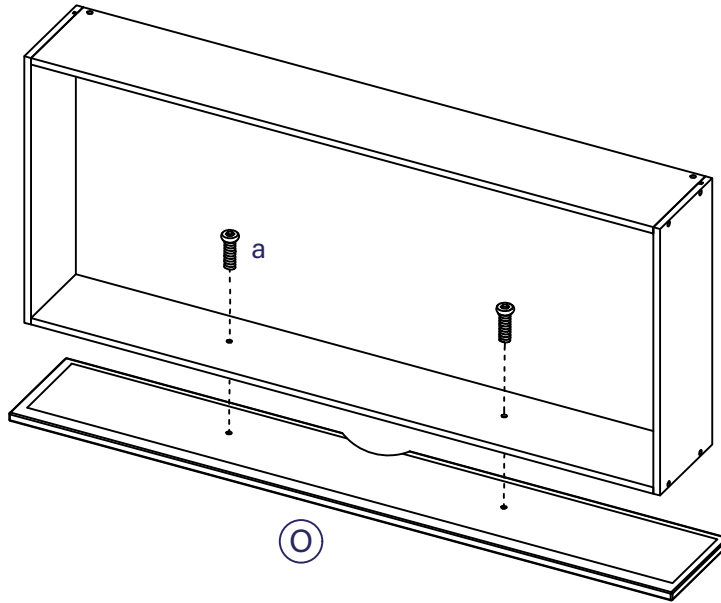
Use pack 3

9

a  x4

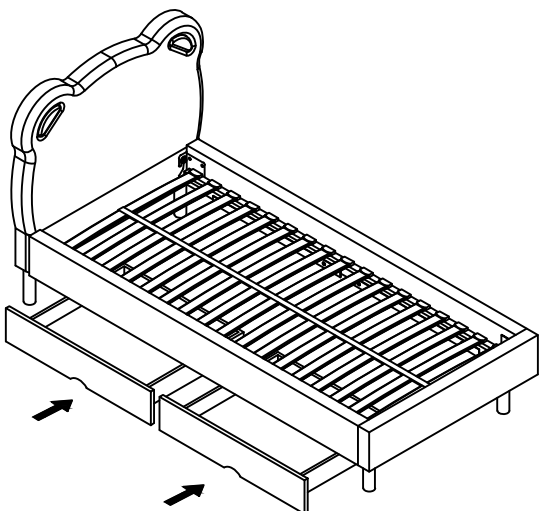
d  x1

Single x2

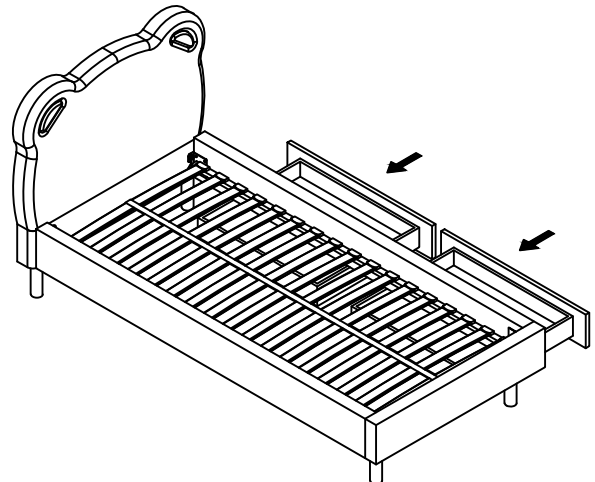


10

THE DRAWER IS ON THE LEFT



THE DRAWER IS ON THE RIGHT



# Care and maintenance

Here are some tips to keep your new bed in tip-top condition



## Cleaning

To clean your new bed, we'd advise using a warm damp cloth - please do not use abrasive chemicals or bleach as this may damage the product.



## Checking and moving

Periodically we recommend you check that the screws or fixtures haven't become loose, over time. To move your new bed, we recommend lifting it where possible, as dragging or pushing it could cause damage to your flooring.



## Wood

Please note each of our wooden pieces are unique, meaning that markings and shade can vary slightly between beds. Over a period of time, the wood might lighten or fade slightly due to light exposure.



## Fabric

Please note depending on the lighting, positioning and surroundings of your room, the shade of the colour can sometimes appear slightly different. Over a period of time, the colour might lighten or fade slightly due to light exposure.



## Metal

Metal tends to be more resilient to everyday wear and tear. We recommend to gently dust your metal furniture and keep it dry to maintain its look.

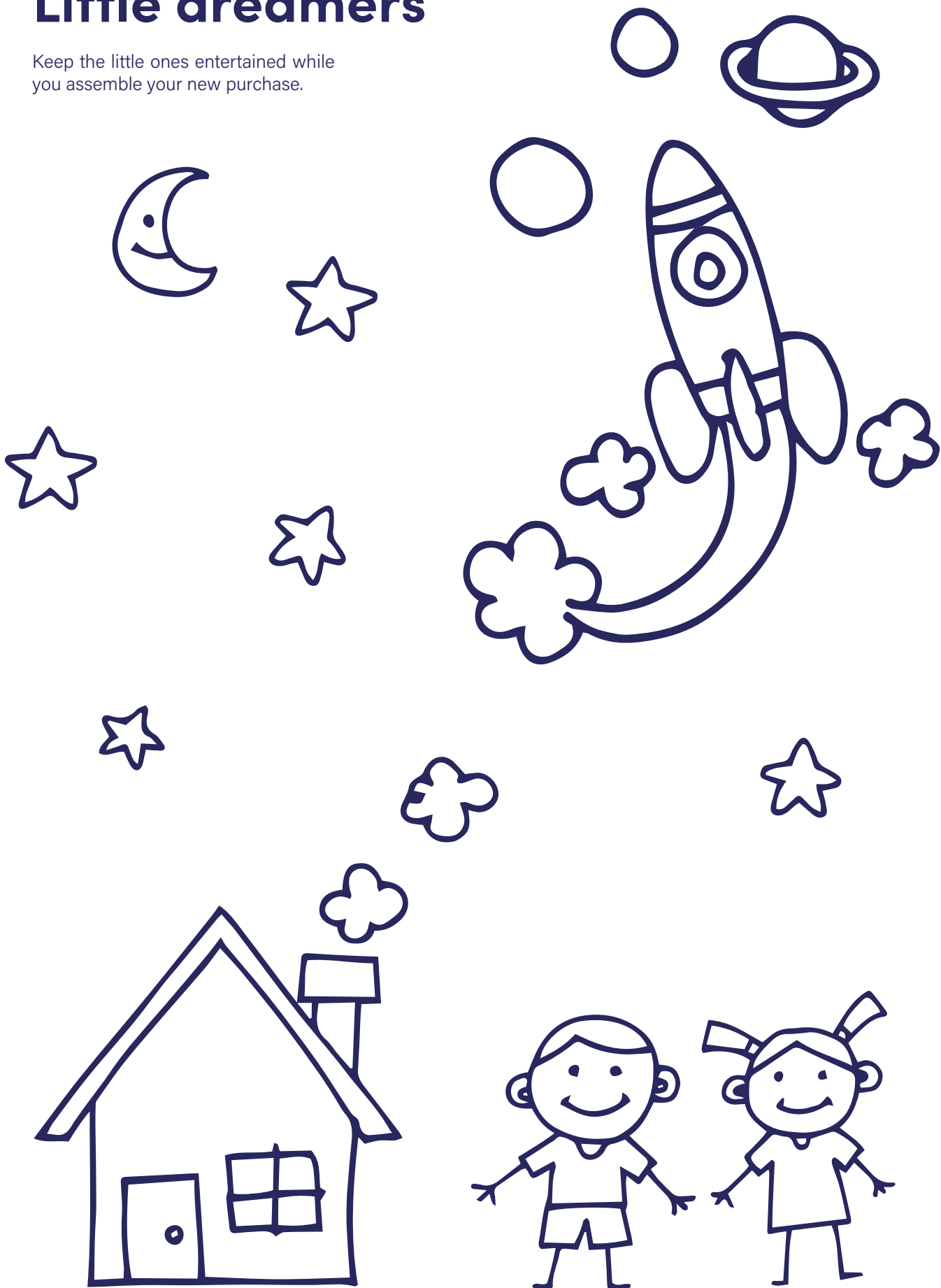
**Thank you for shopping with us - we hope you have a great night's sleep**

*Sleep well*



# Little dreamers

Keep the little ones entertained while you assemble your new purchase.



# Dreams

Love your bed

PRODUCED IN CHINA FOR

Dreams Limited | Knaves Beech | High Wycombe | HP10 9YU | [www.dreams.co.uk](http://www.dreams.co.uk)  
Hometime Retail Limited | 6-16 Duncrue Crescent | Belfast | Antrim | BT3 9BW | [www.dreams.ie](http://www.dreams.ie)