

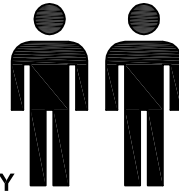
DESCRIPTION:

DREAMS EALING OTTOMAN 3FT BED

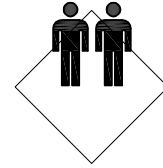
1.5 Hr

APPROXIMATE ASSEMBLY TIME

2 PERSON ASSEMBLY



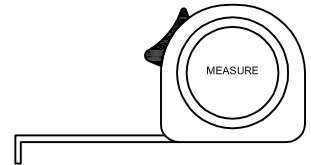
FLOOR AREA
2.5M X 2.5M



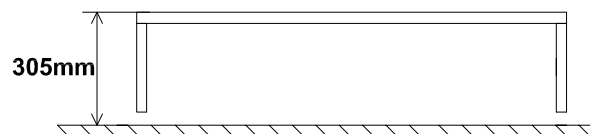
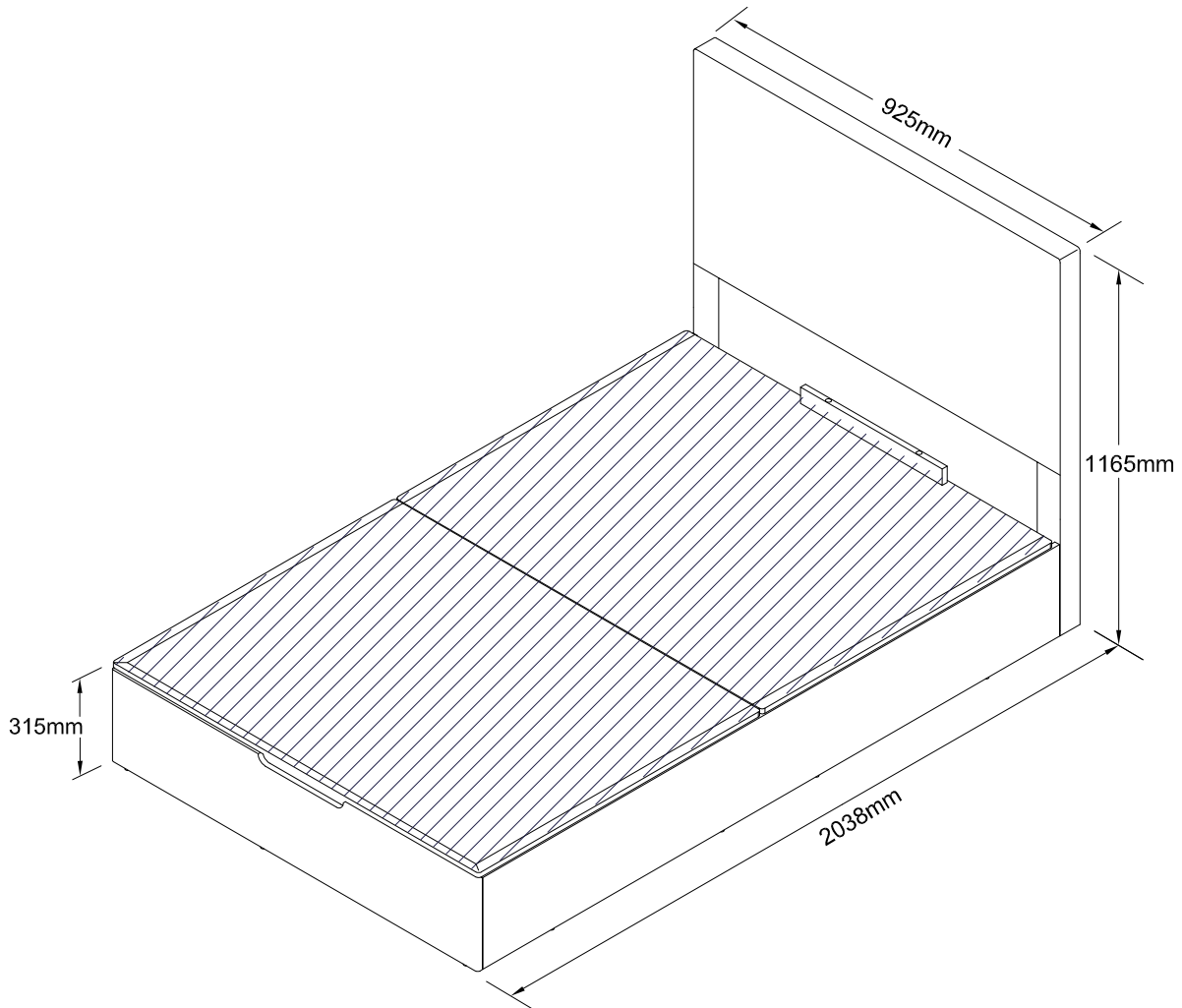
CEILING HEIGHT
2.5M

REQUIRED ASSEMBLY SPACE

REQUIRED ASSEMBLY TOOLS



ASSEMBLED DIMENSIONS 3FT BED FRAME

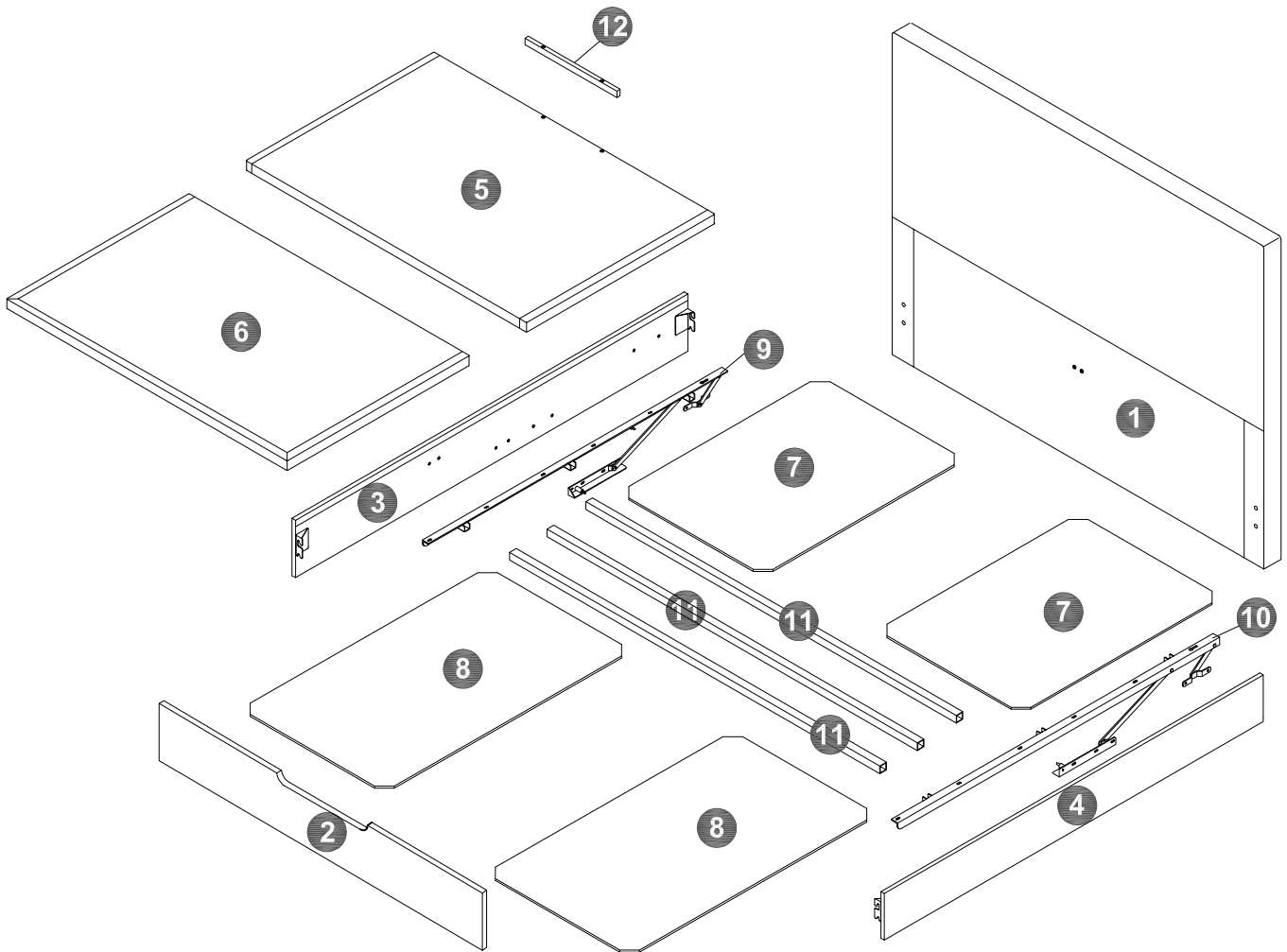


Top base for mattress = 900mm x 1900mm

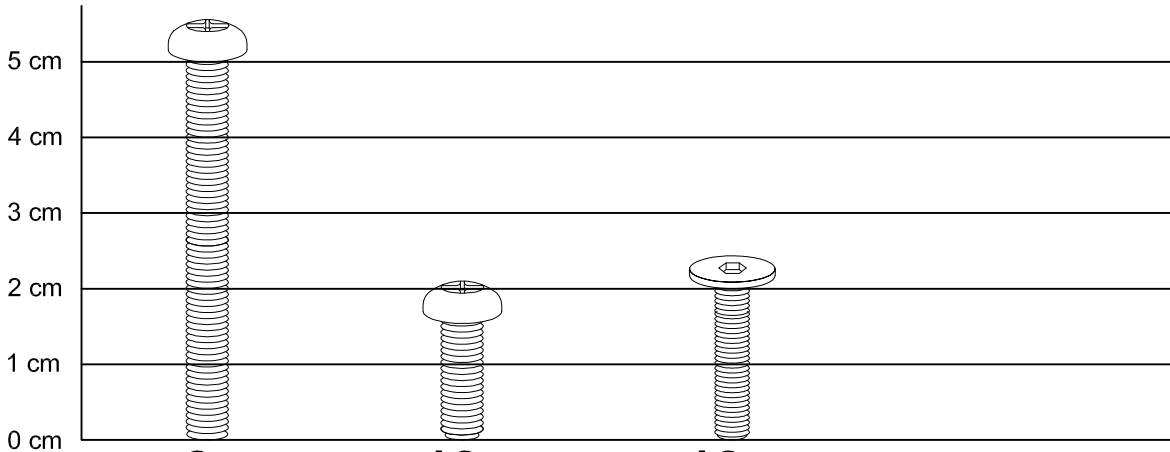
PARTS LIST

NO.	PART LISTS	QTY
1	HEADBOARD	1
2	FOOTBOARD	1
3	SIDE RAIL (L)	1
4	SIDE RAIL (R)	1
5	FRONT LIFT BASE	1
6	BACK LIFT BASE	1
7	BASE PANEL - SHORT	2
8	BASE PANEL - LONG	2
9	LIFT UP MECHANISM (RIGHT)	1
10	LIFT UP MECHANISM (LEFT)	1
11	CROSS RAIL	3
12	MATTRESS SUPPORT RAIL	1

CARTON 1 CONSISTS OF PART : 1,2,7,8
 CARTON 2 CONSISTS OF PART : 3,4, HARDWARE
 CARTON 3 CONSISTS OF PART : 5,6
 CARTON 4 CONSISTS OF PART : 9,10,11



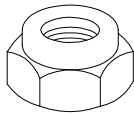
HARDWARE LIST



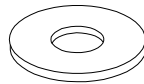
2x
M8 X 50mm
A
BOLT

18x
M8 X 20mm
B
BOLT

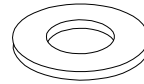
12x
M6 X 20mm
C
BOLT



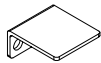
4x
M8 X 13mm
E
LOCK NUT



10x
M6 X 16mm
F
FLAT
WASHER



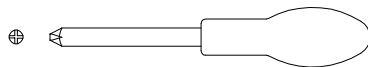
18x
M8 X 18mm
G
FLAT
WASHER



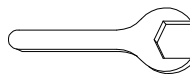
3x
H
L SUPPORT
BRACKET



1x
I
ALLEN KEY
(M4)



1x
J
SCREW DRIVER
(4" x 5mm)



1x
K
SPANNER
(13mm)



2x
548 x 800N
D
GAS SPRING

Top Tips before you start!

1. Please check that all parts are present before you start the assembly of your furniture, as once assembled, the furniture is exempt from our home approval policy.
2. For ease and speed of assembly, we recommend that before you commence each step of the assembly, that you identify all the parts required for that step.
3. For larger items, please ensure that you have sufficient space and people (as indicated on page 1) to assemble your product safely.
4. We recommend that, where possible, all items are assembled near to the area in which they will be placed in use, to avoid moving the product unnecessarily once assembled.
5. For the protection of your furniture, particularly items of high gloss finish, we recommend that the product is placed on a protected surface during assembly to prevent any damage.
6. During assembly please take care not to over-tighten any fittings, as this may damage the product.
7. Please note: The bed base is in the upright position when first assembled as the gas lifts are fully extended during shipment for safety. After assembly a firm downward push will be required to overcome any resistance in the gas lifts as these may initially stick. We suggest placing a mattress on top of the bed base to aide this and also test the operation of your new lift up bed by lifting and pushing down the bed base a few times to allow the lifting mechanism to bed in.

Care and Maintenance of your Furniture

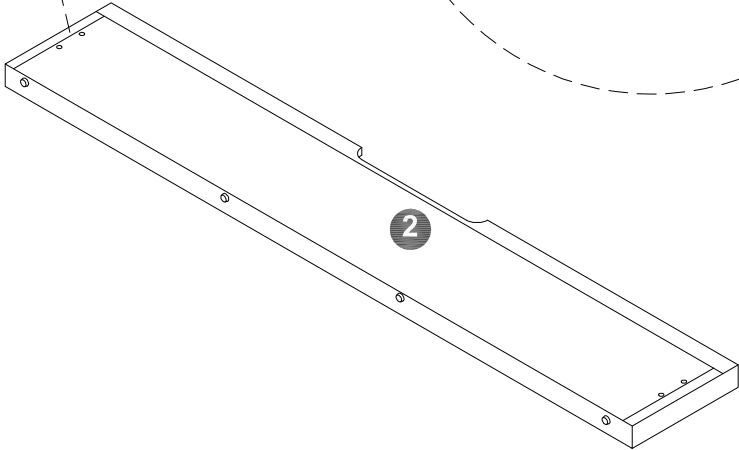
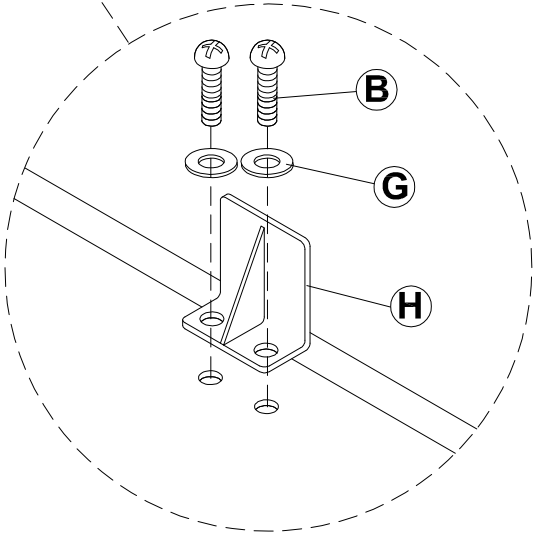
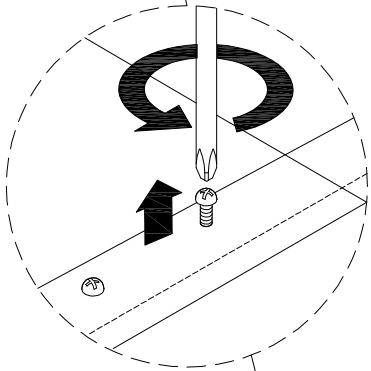
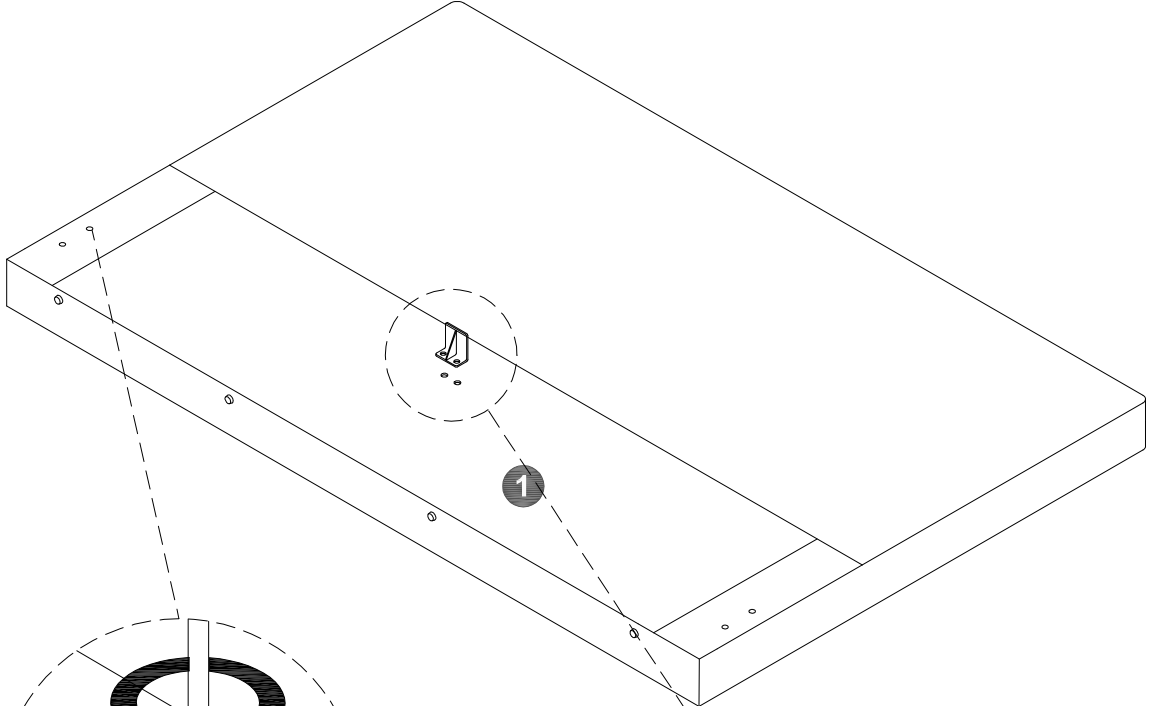
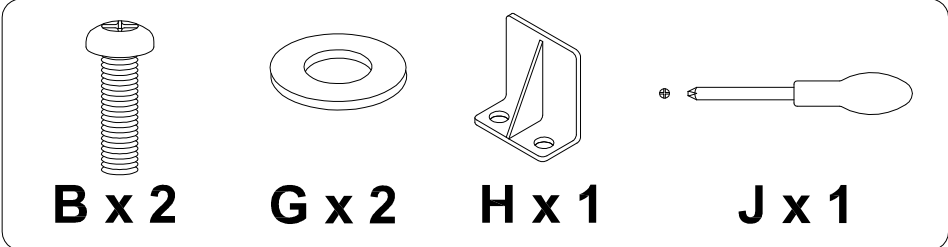
- Please periodically check all fittings and re-tighten as necessary.
- To clean your item, please use a damp cloth and wipe clean.
- Please do not jump on your furniture.
- Never allow any kind of liquid to remain on your furniture. Absorption can cause finishes to de-laminate.
- This is very important when moving your bed. It is best to lift the bed, and never to drag it.
- Please kindly take account of your floor covering when assembling a new bed! If the floor offers little resistance (such as wood or laminate) then it is recommended to use rug or similar be placed under each leg.

CARE INSTRUCTIONS FOR FABRIC

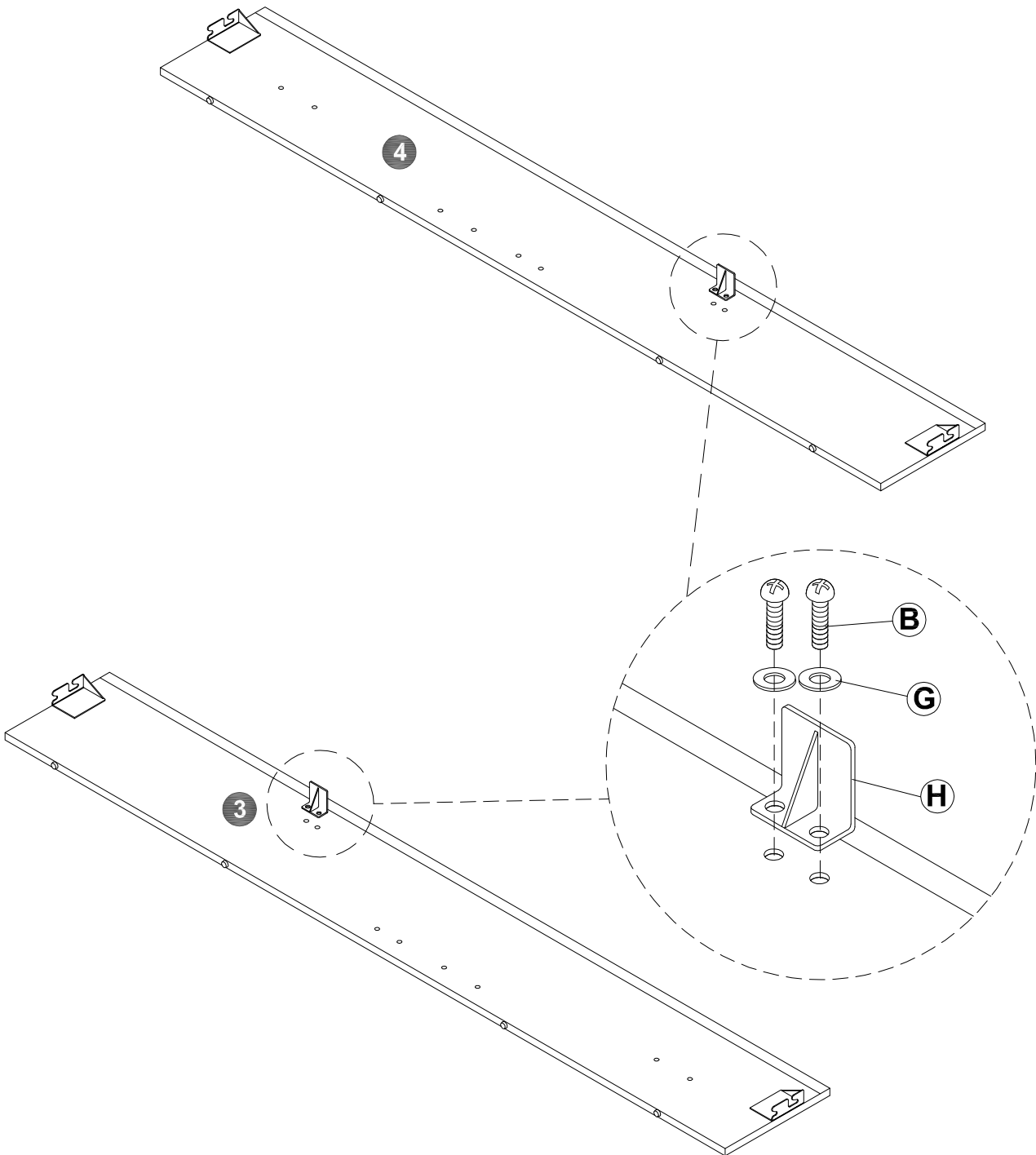
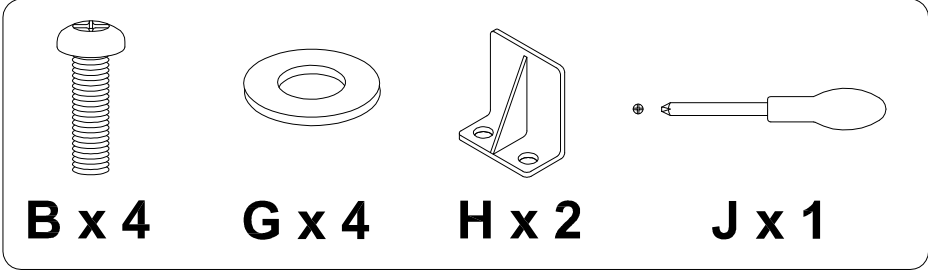
- **AVOID DIRECT SUNLIGHT. TREAT SPILLS AND STAINS AS SOON AS THEY OCCUR.**
- **APPLY PROPRIETARY CLEANING AGENTS STRICTLY ACCORDINGLY TO INSTRUCTIONS TO REMOVE THE RESIDUE OF THE SPILL.**
- **DO NOT SATURATE THE FABRIC OR INTERIOR WITH WATER OR OTHER CLEANING LIQUIDS. MAY BE SPOT CLEANED WITH DRY CLEANING SOLVENT.**

DO NOT USE ANY POWER TOOLS AS THIS MAY DAMAGE THE FRAME AND WILL INVALIDATE ANY CLAIM

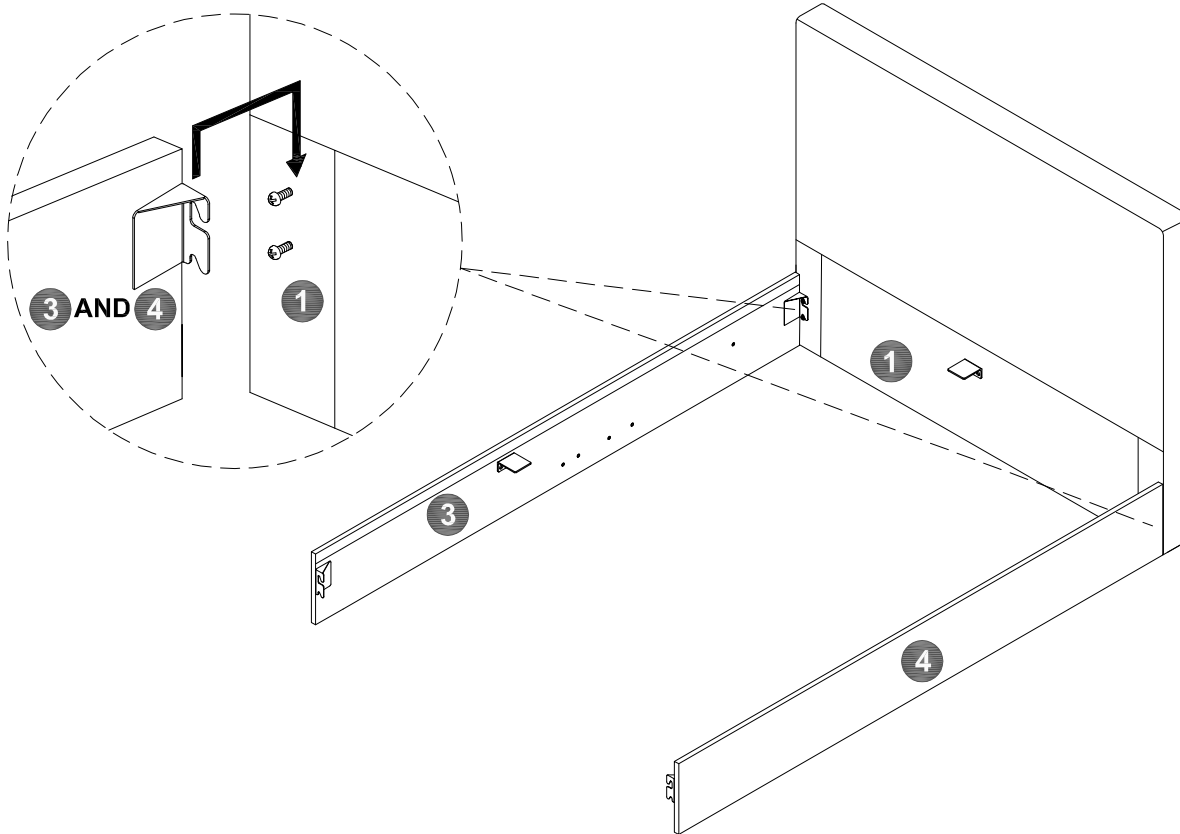
STEP 1



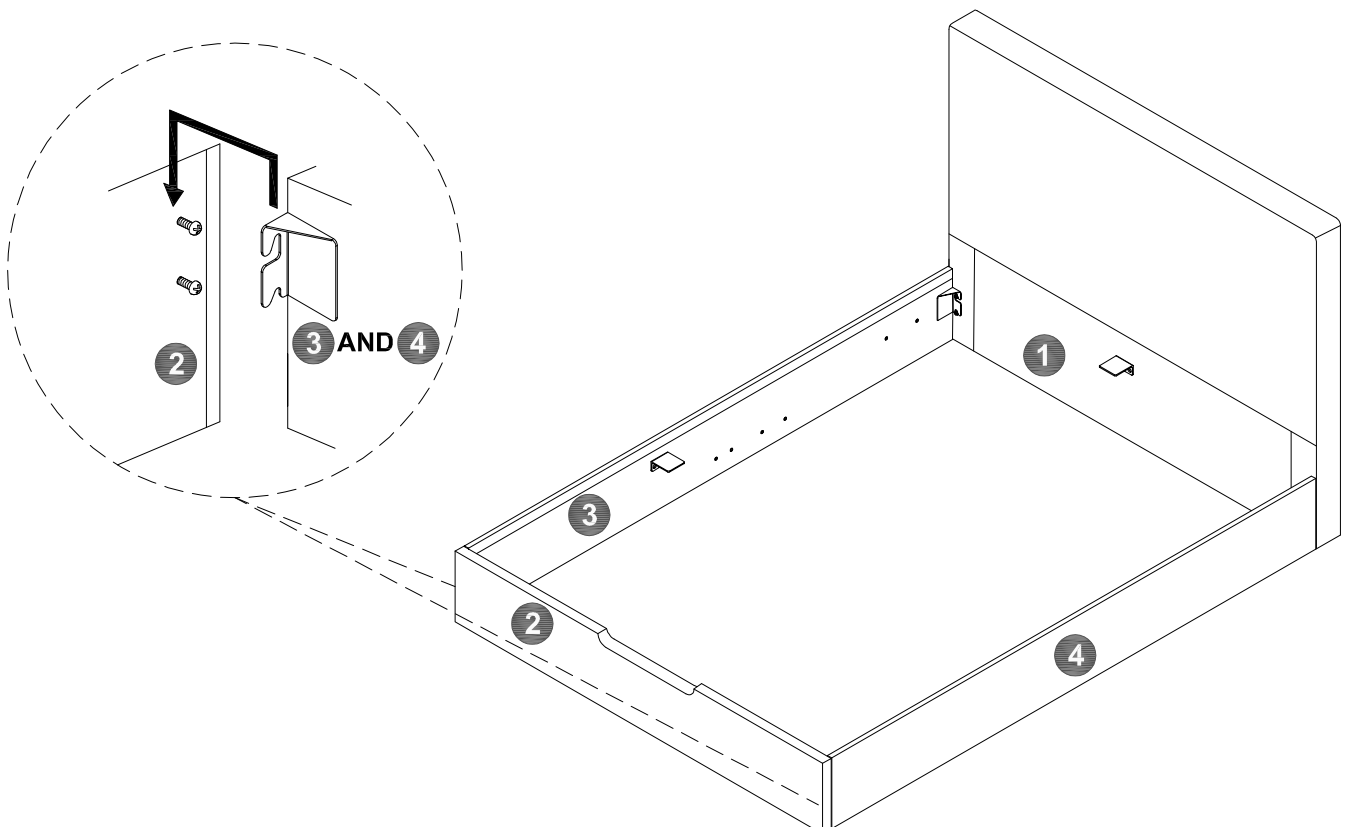
STEP 2



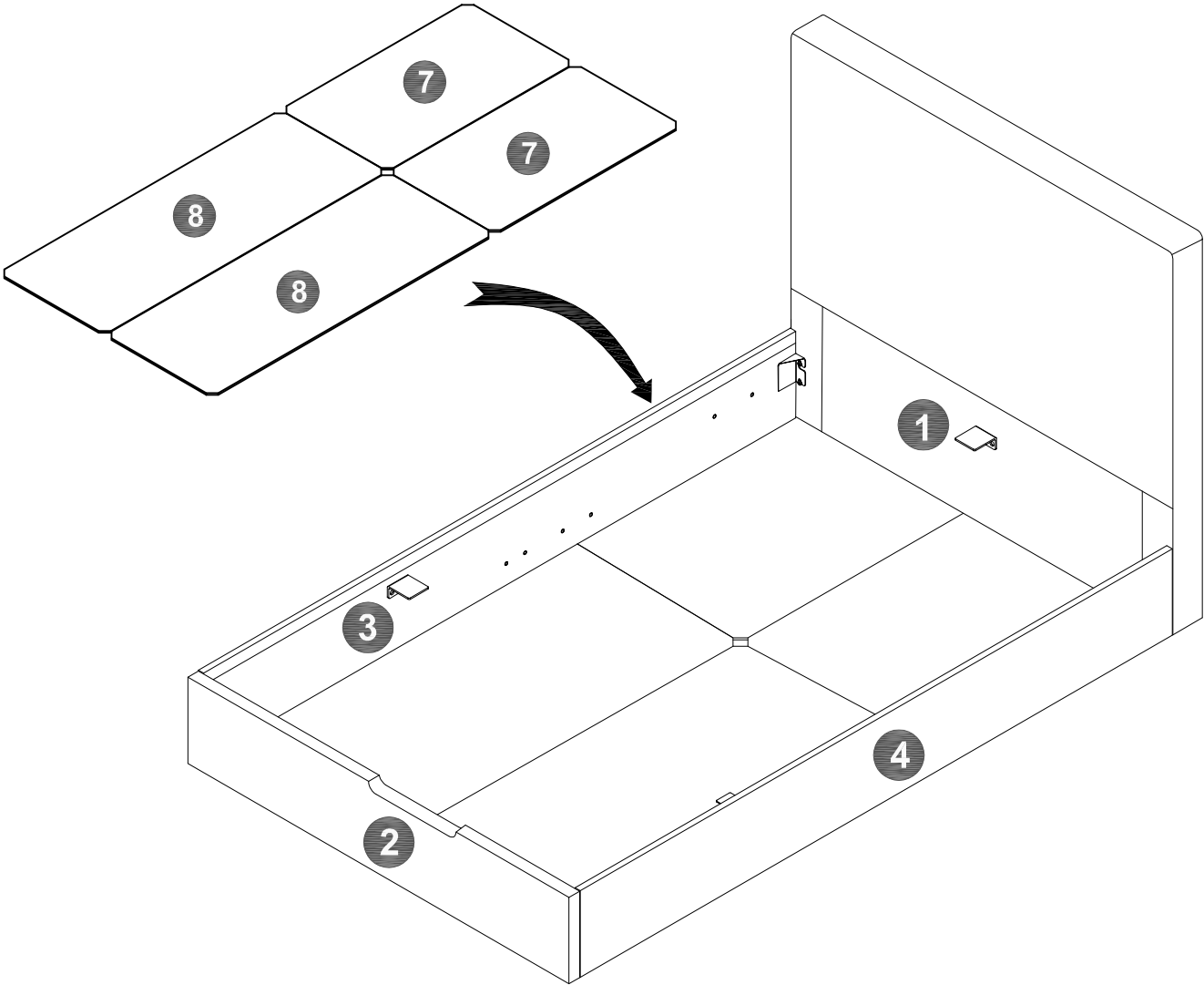
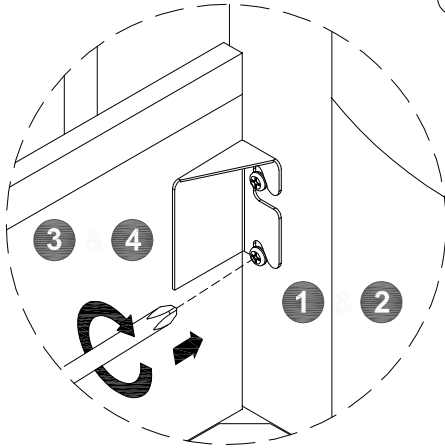
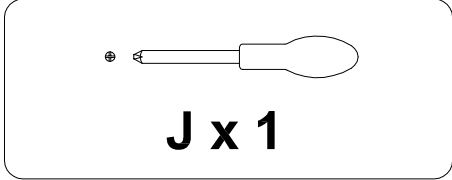
STEP 3



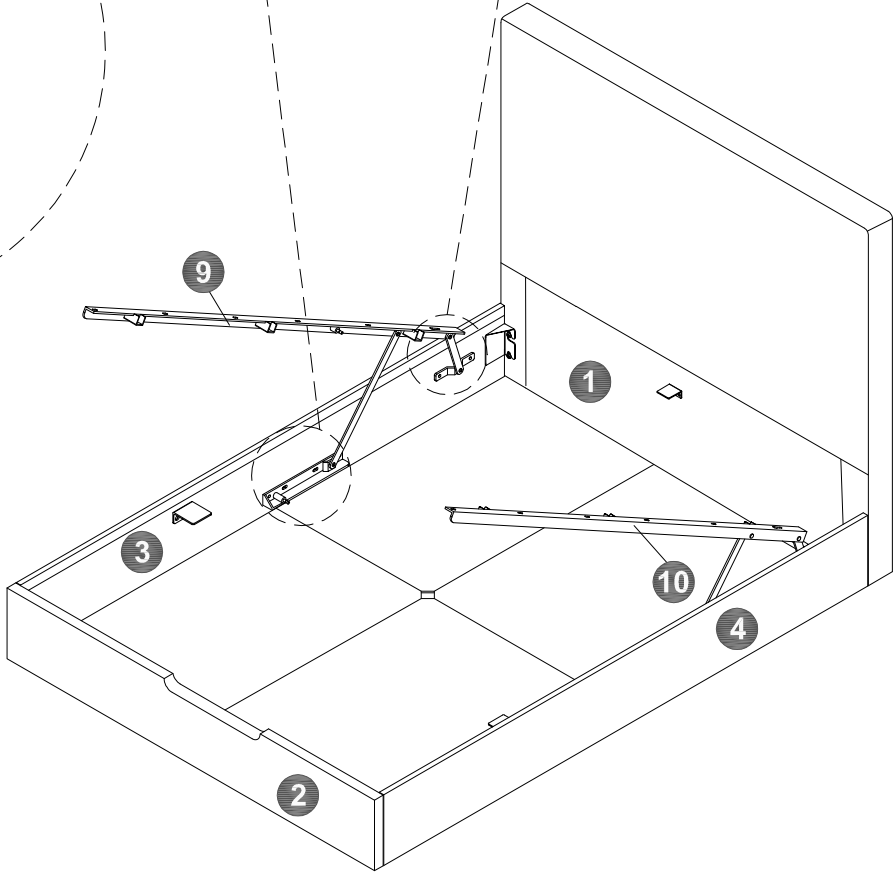
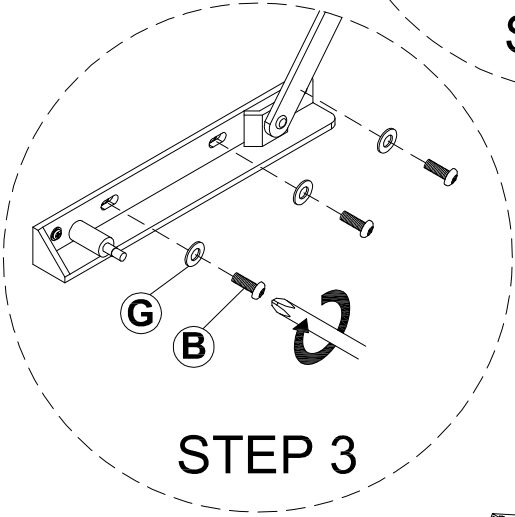
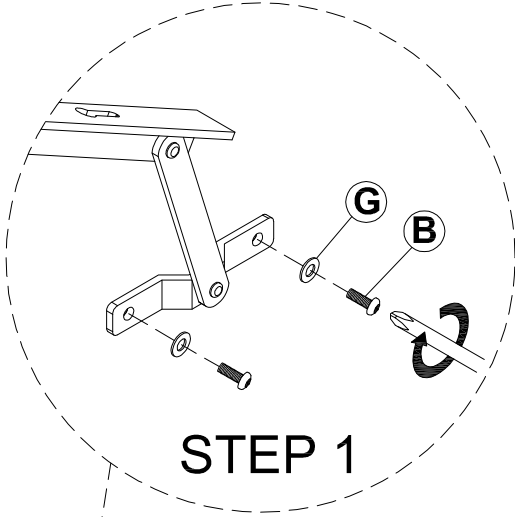
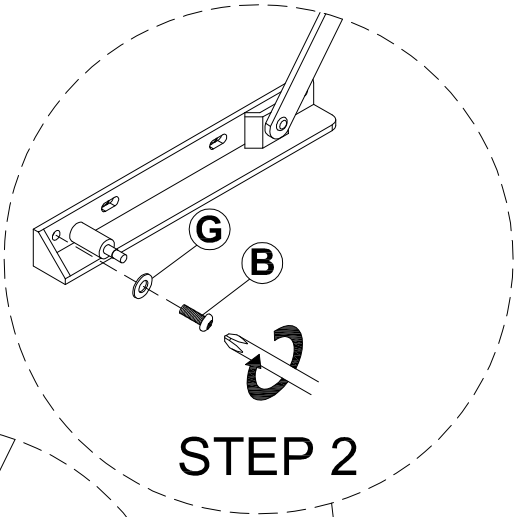
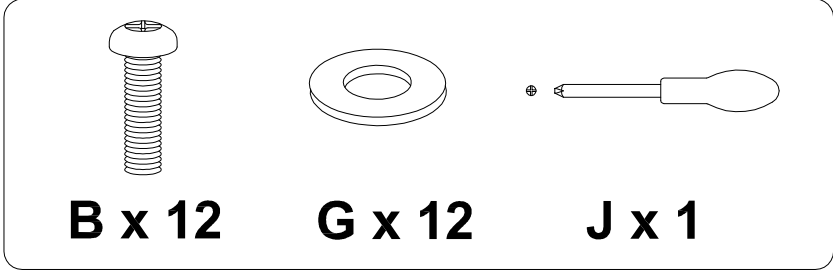
STEP 4



STEP 5



STEP 6



STEP 7



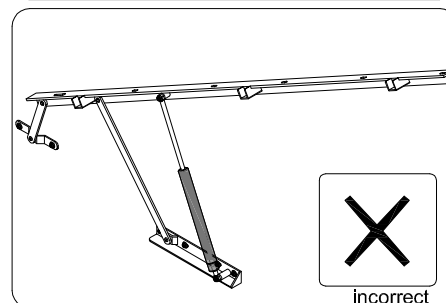
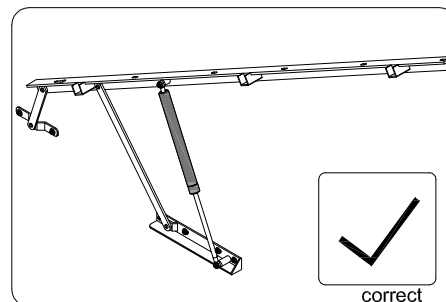
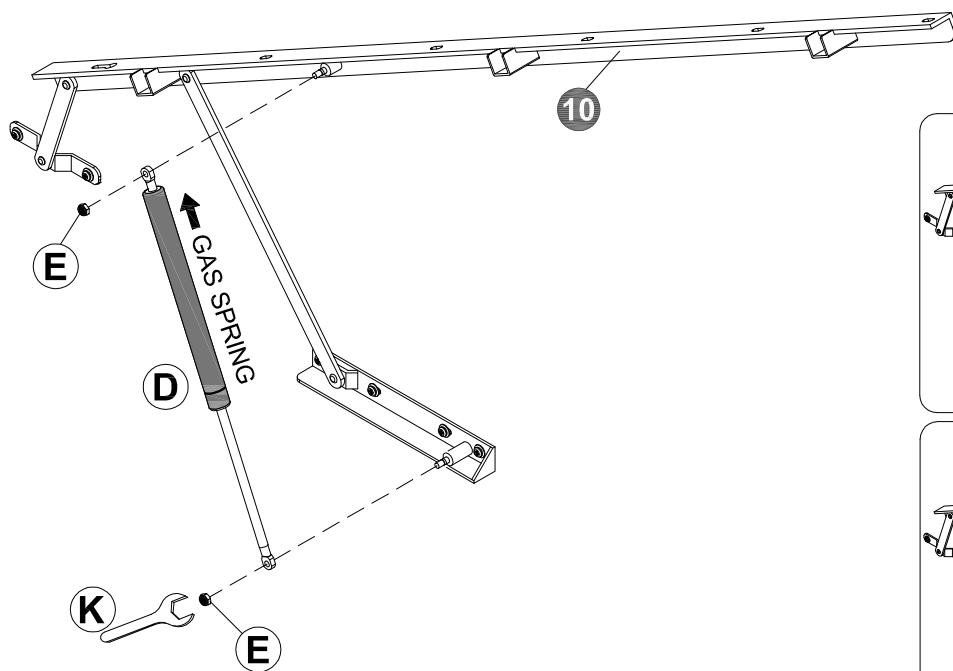
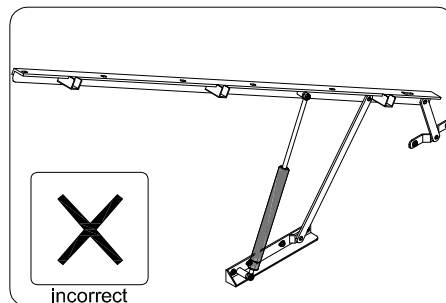
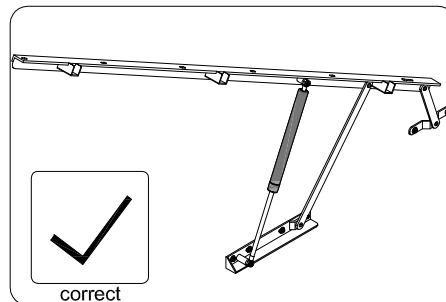
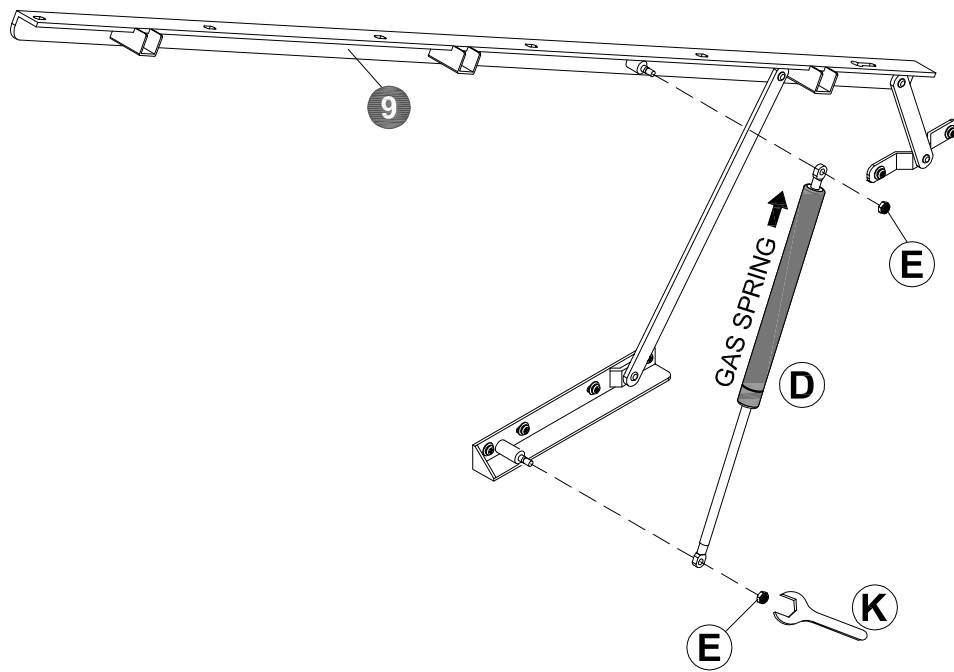
E x 4



D x 2

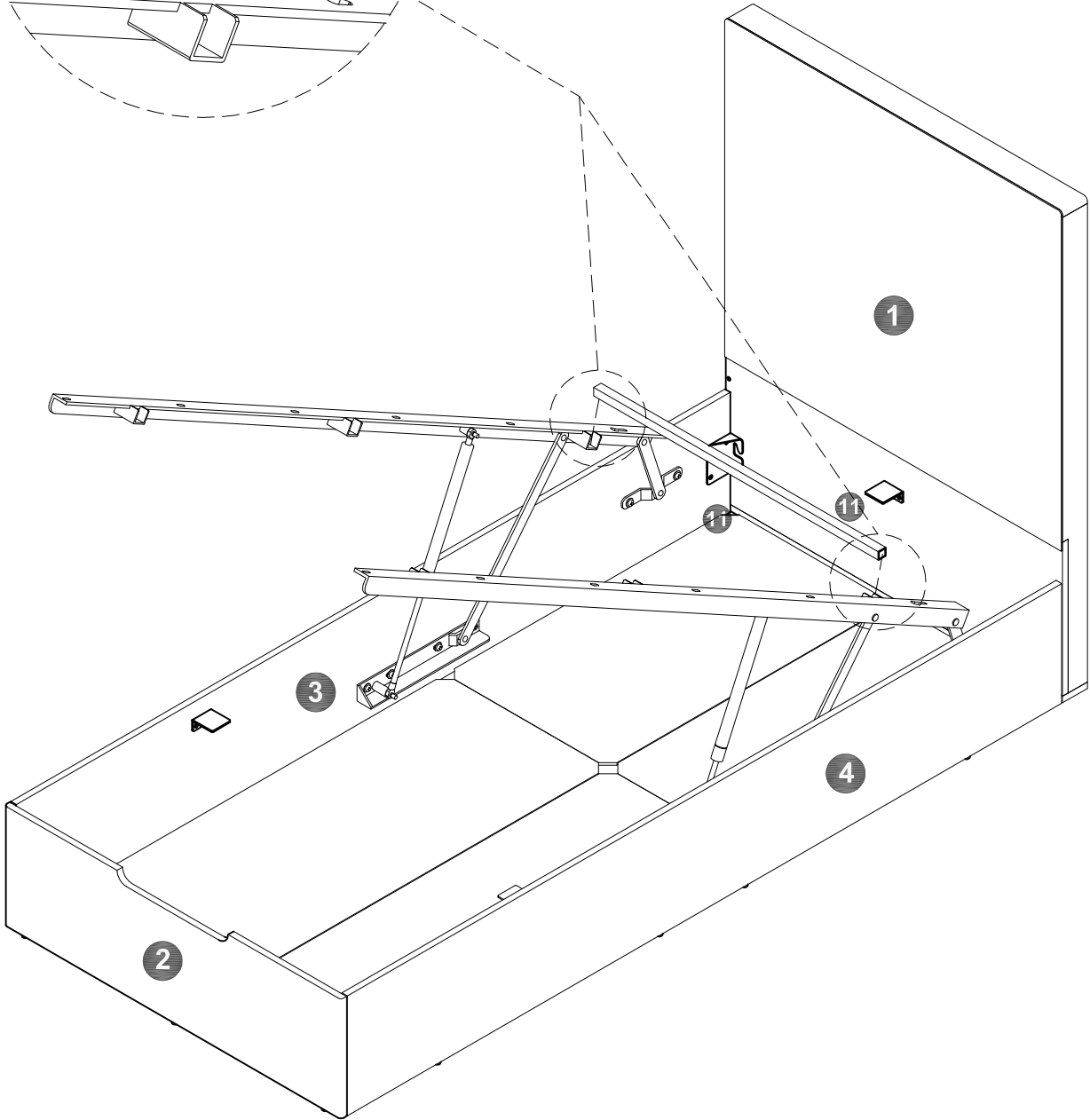
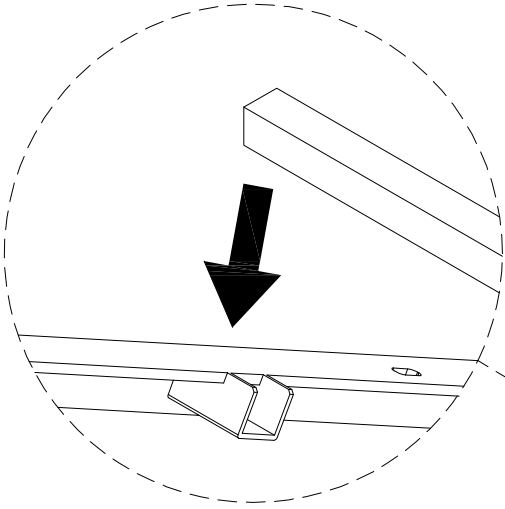


K x 1

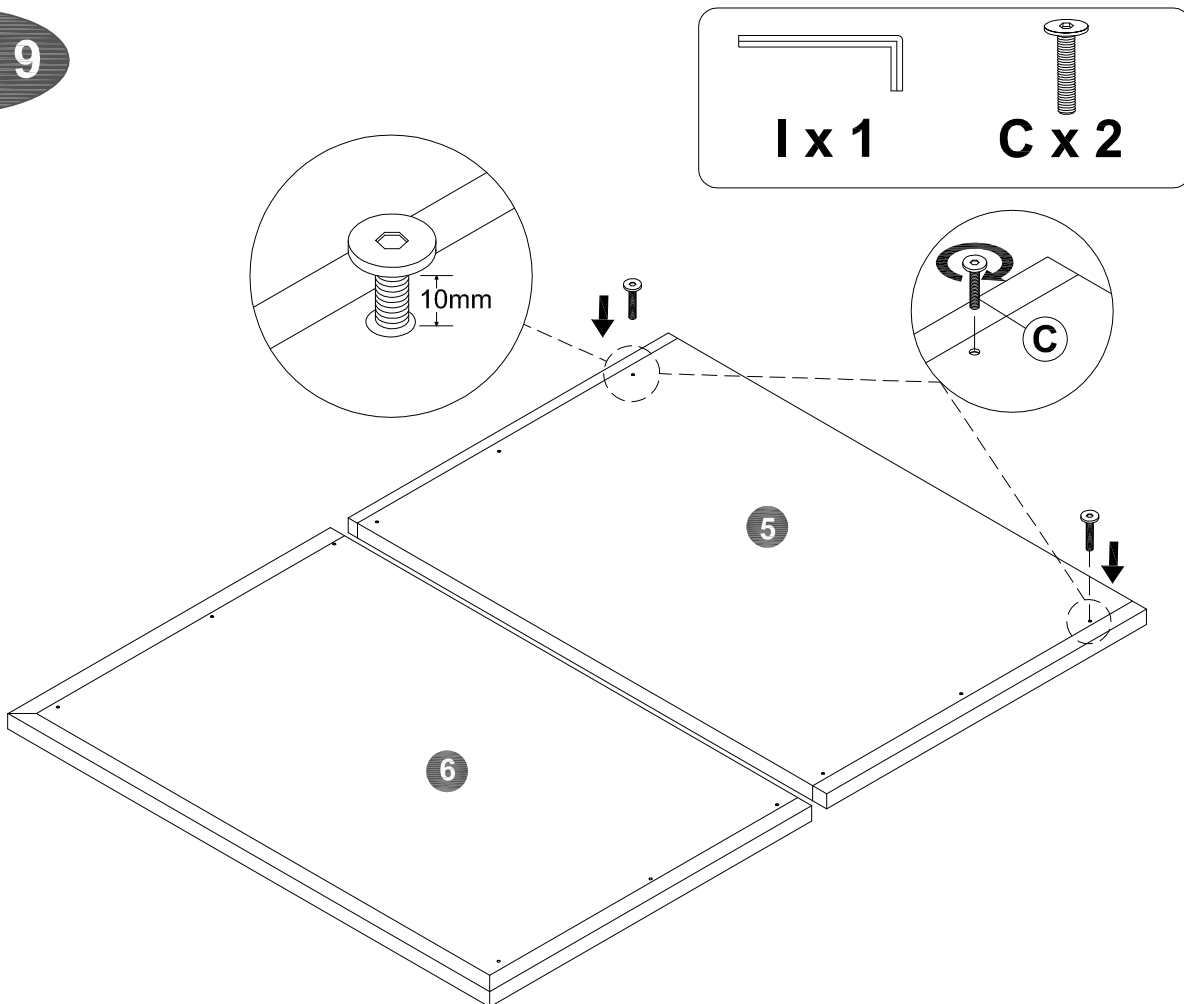


Fully tighten all nuts after attaching the pistons.

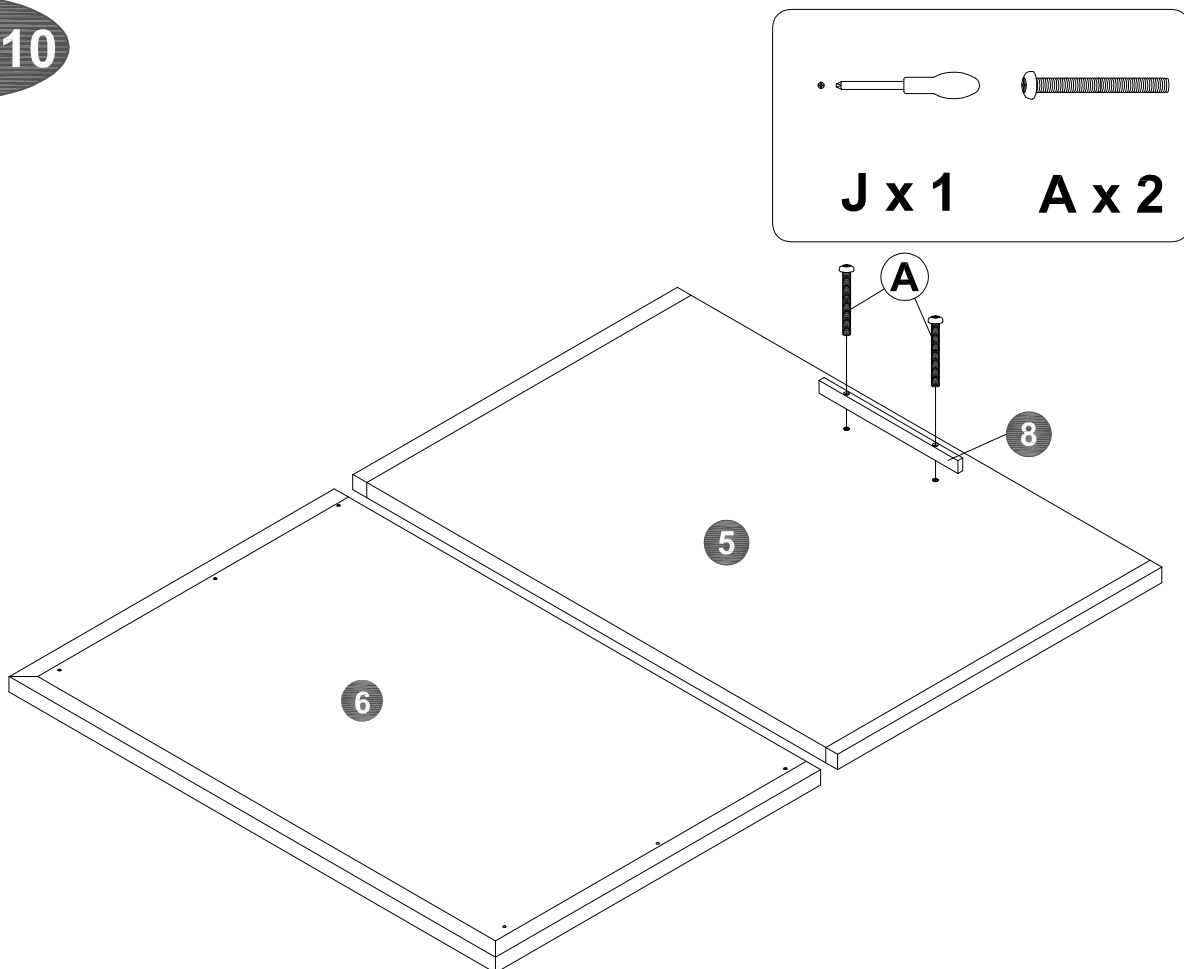
STEP 8



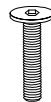
STEP 9



STEP 10



STEP 11



C x 4

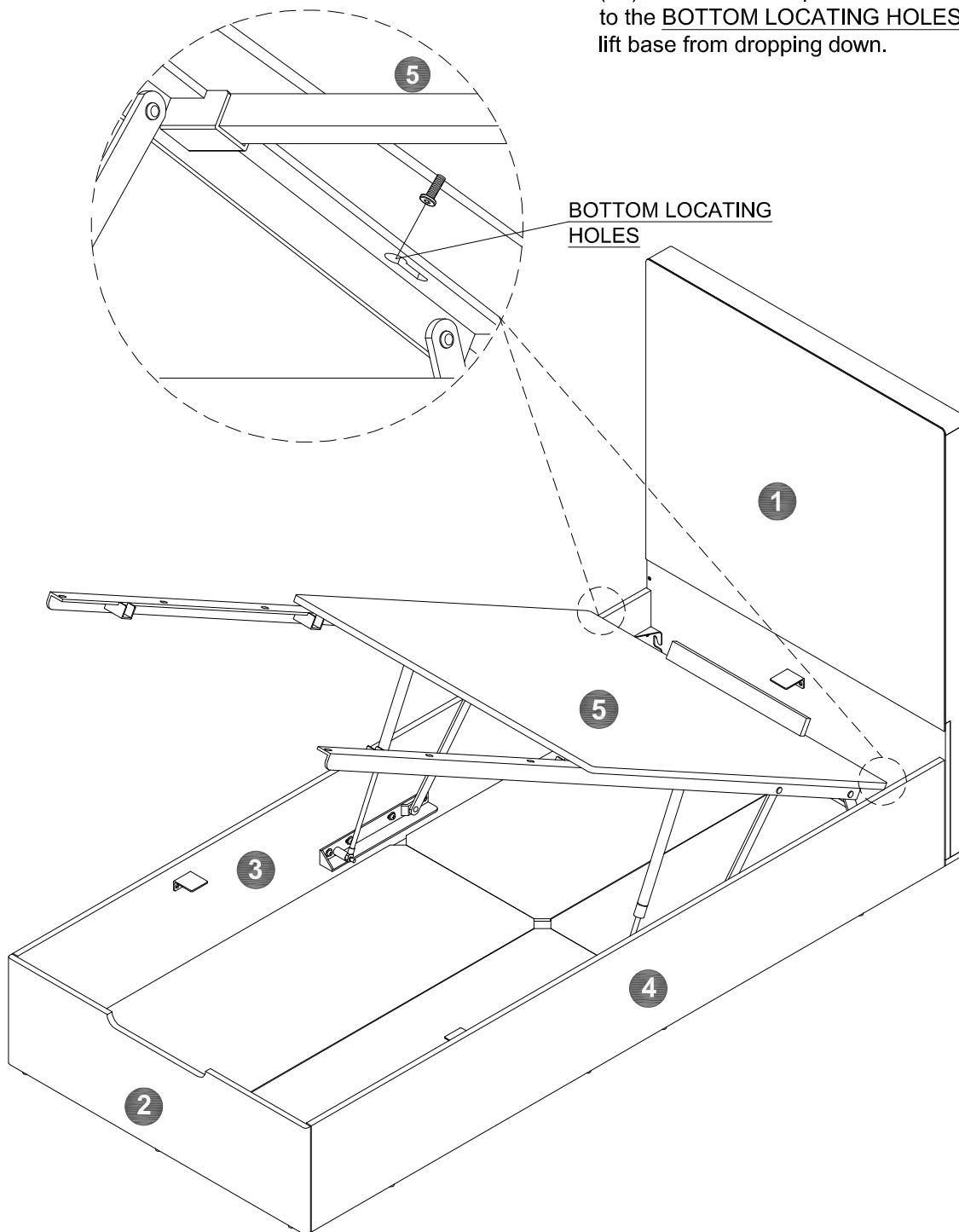


F x 4

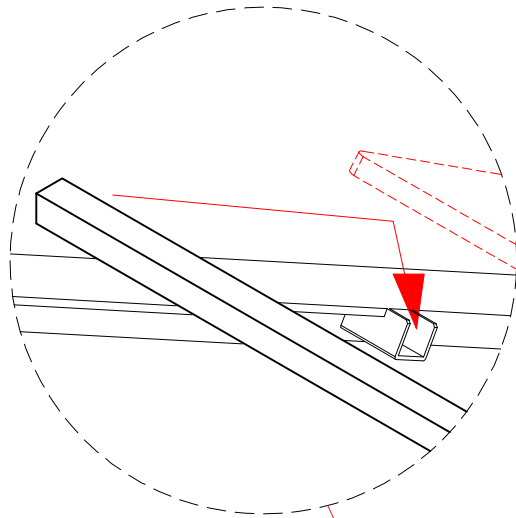


I x 1

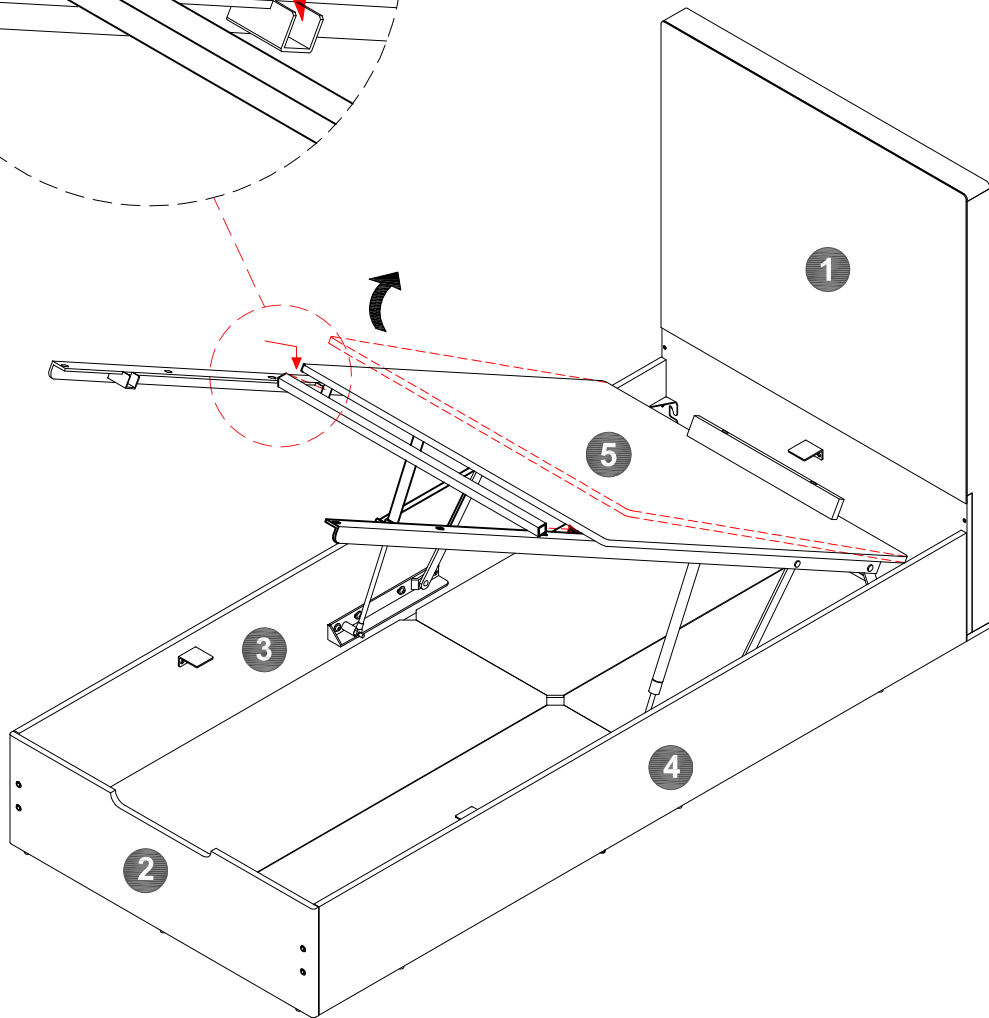
1. First put the base (5) on the top of mechanism (9) & (10) and fix with the pre-installed allen head screw to the BOTTOM LOCATING HOLES to prevent the lift base from dropping down.



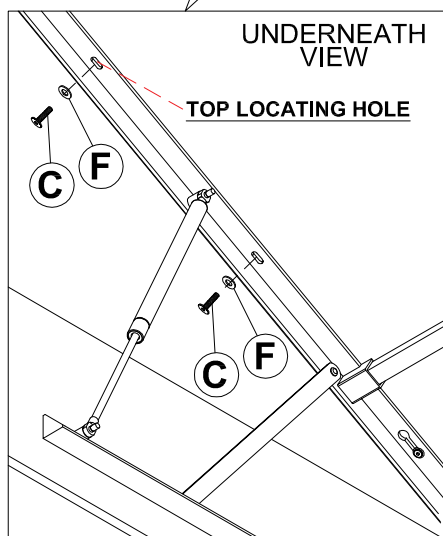
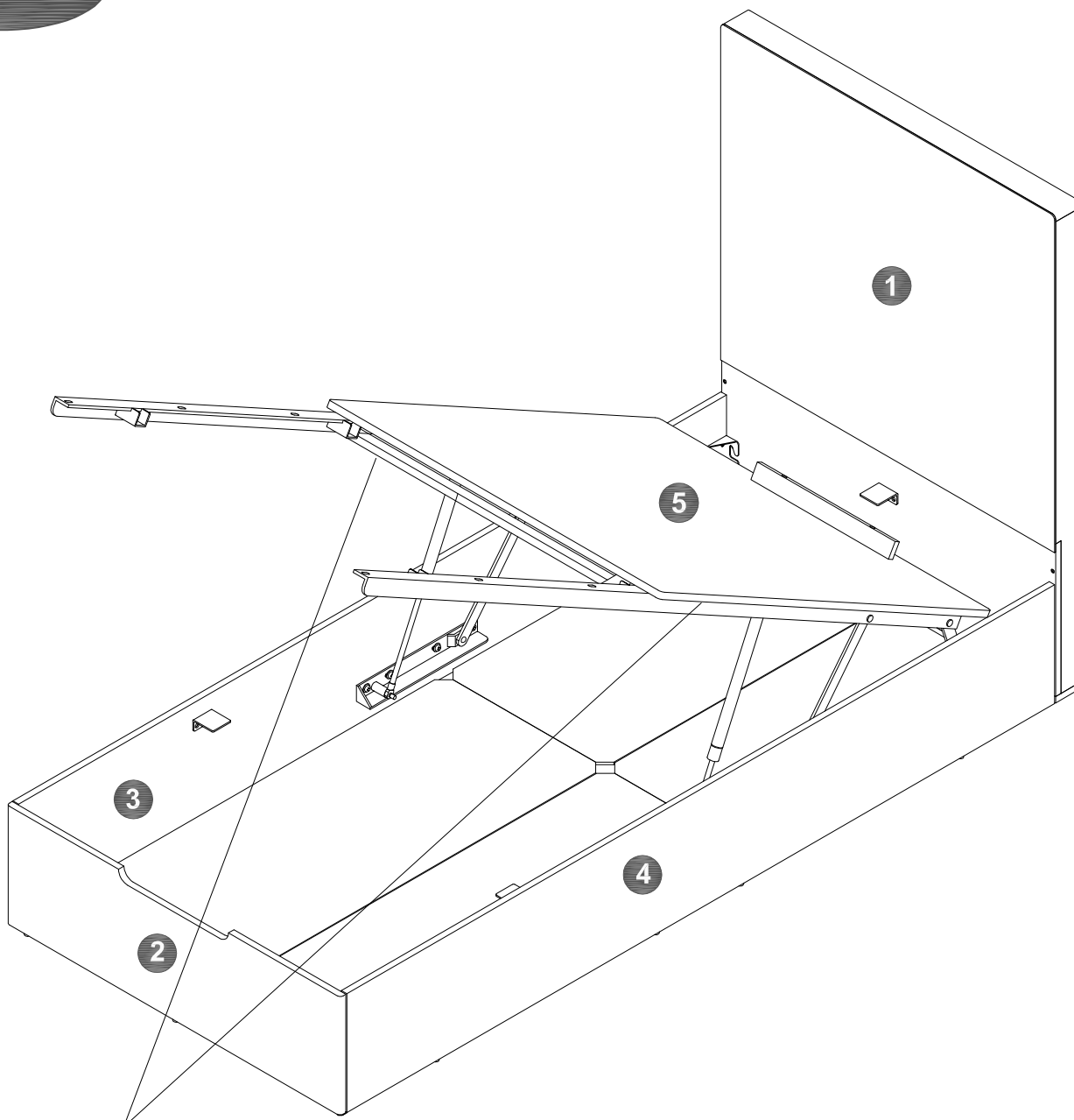
STEP 12



Attach the center cross rail (11) x1 into the slotted lift up mechanism as shown. raise the front lift base up by 20mm and slot in the cross rail into the mechanism.

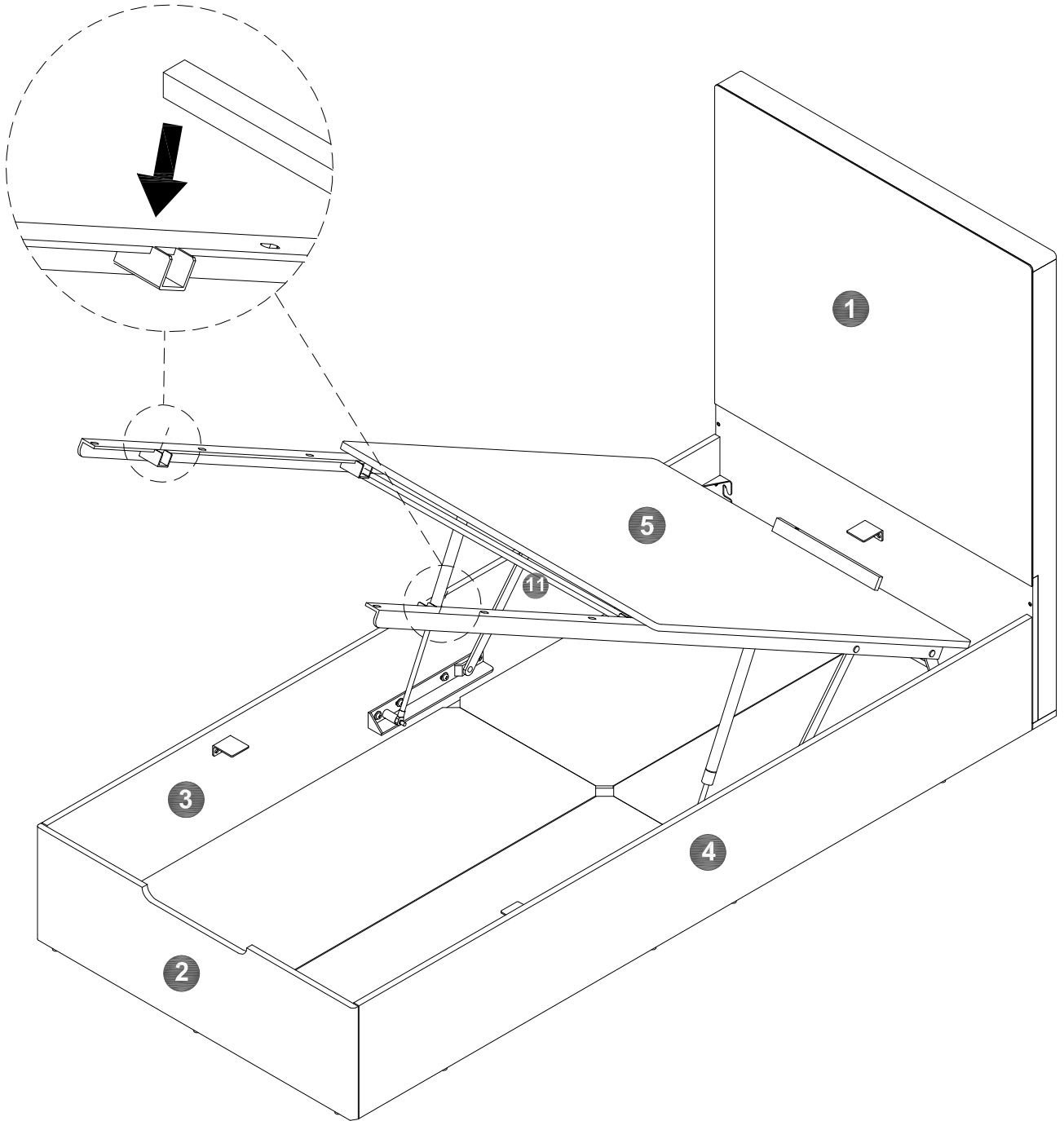


STEP 13

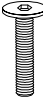
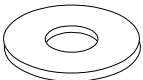



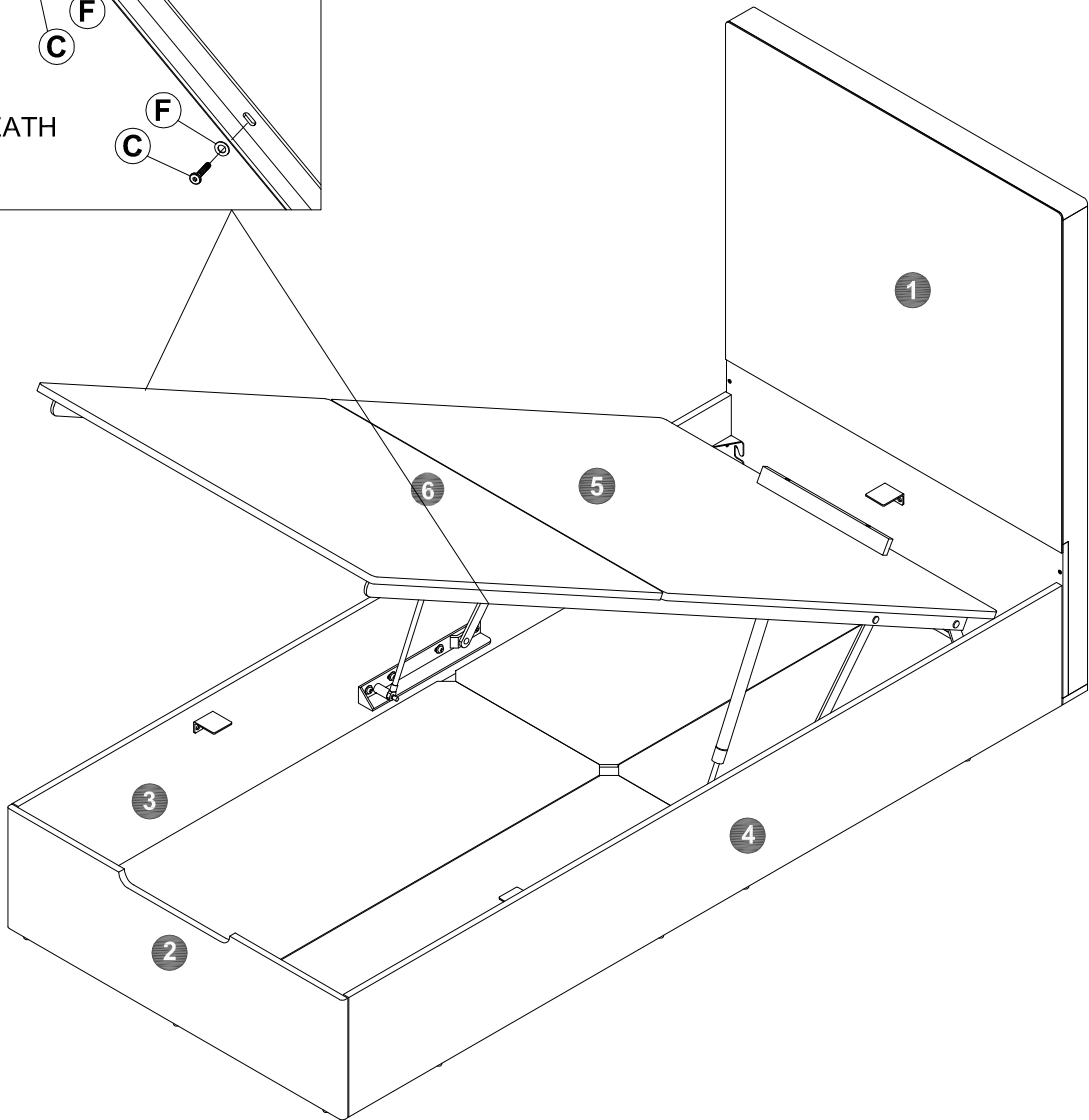
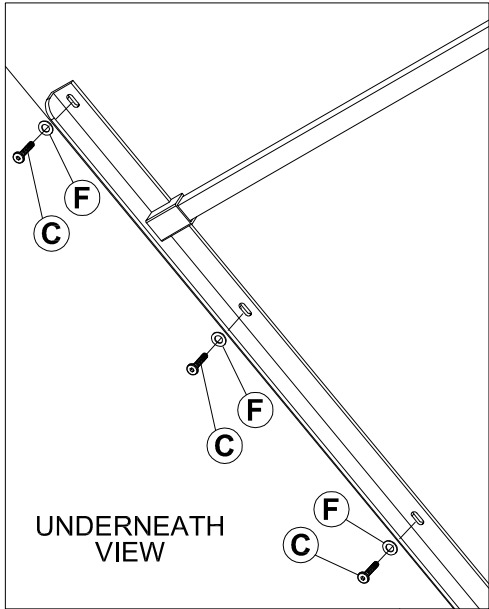
Tighten the **TOP LOCATING HOLES** first, then continued to tighten all others screws as shown by using allen key provided.

STEP 14

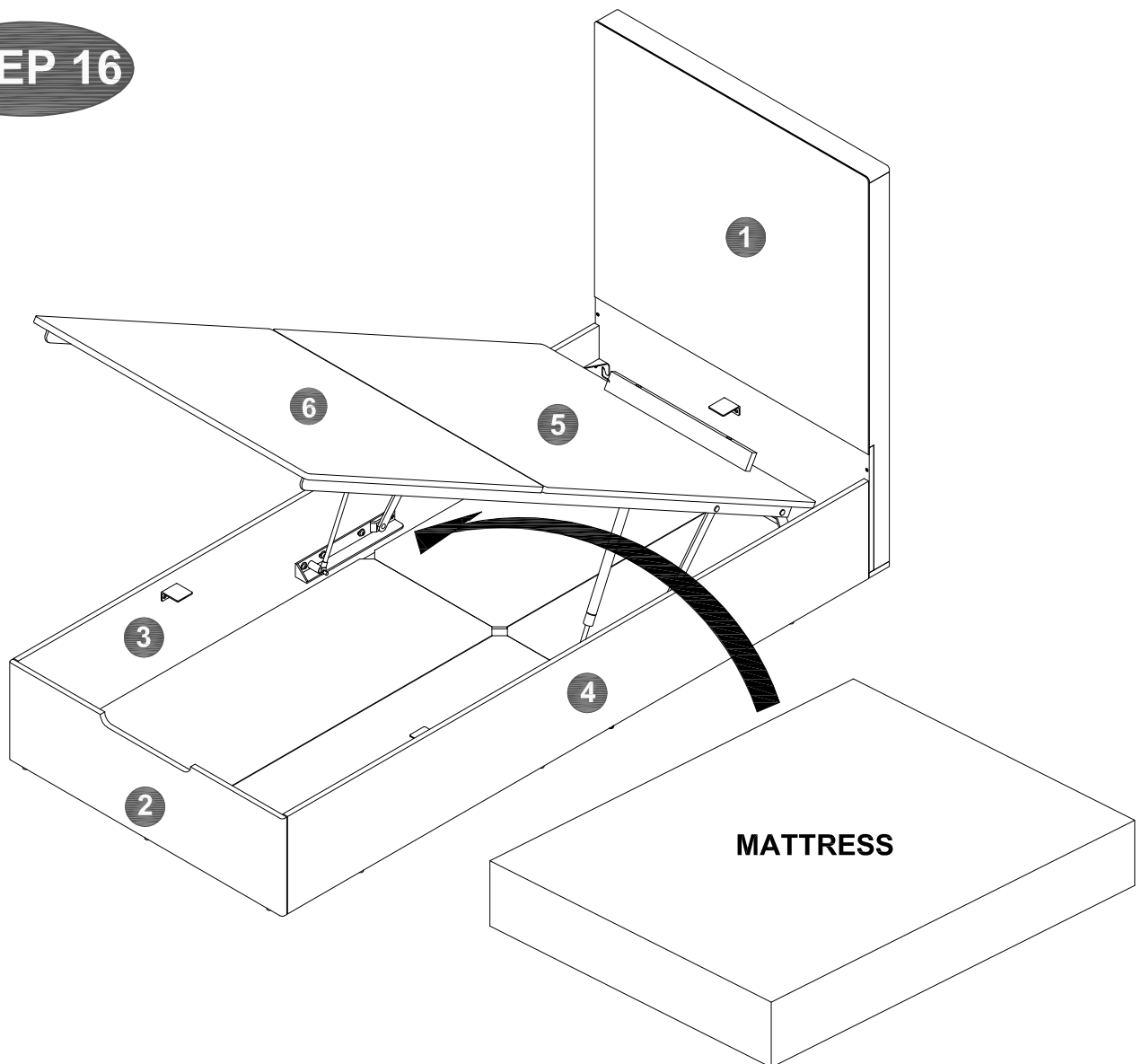


STEP 15

		
C x 6	F x 6	I x 1



STEP 16



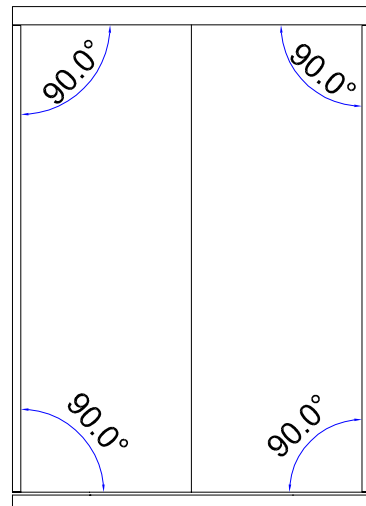
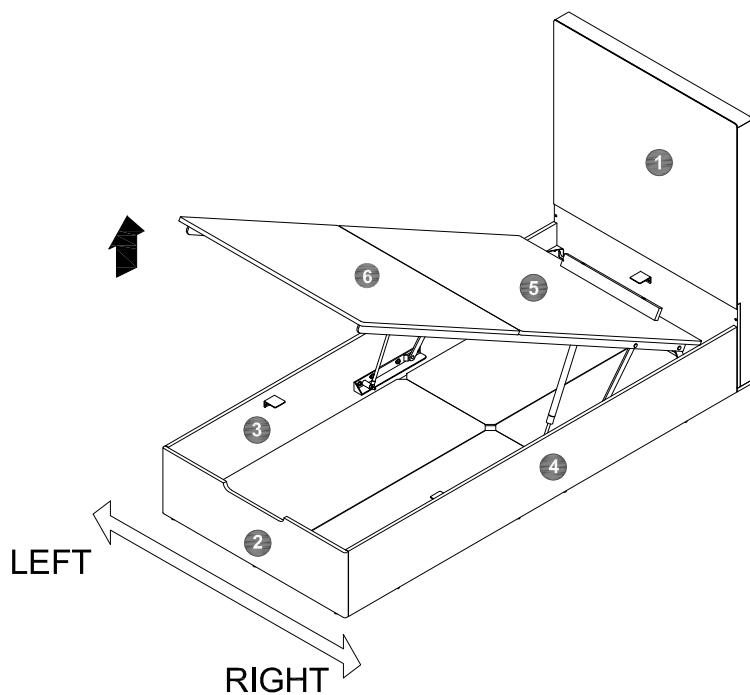
A. This Lift Mechanism provides assistance with the lift of the mattress fitted to the base - it does not lift the mattress for you. The system has been designed to effectively lift the base system fitted with a variety of mattress weights and combinations of depth. The combination of mattress weight and depth determines the degree of assistance provided by the mechanism.

B. Following installation of the mechanism lift / pull the base up and down a few times to free off the system. The gas cylinders fitted to the system may be stiff when first used or if the system has not been operated for a period of time. The mattress must be fitted to the base.

C. Lift up the mattress base using two hands - Pull the mattress base down using two hands equally spaced from the centre of the mattress base. **DO NOT** pull down on one side of the base only as this is likely to damage the base system with potential failure of the mattress base system and lift mechanism. **Do not operate the lift up mechanism without the mattress fitted to the base.**

CAUTION : Do not allow children to operate the lift Mechanism.
Do not allow children near the lift base when operating the Mechanism.
Do not allow children in the area of the internal storage base.
Keep hands clear of the mechanism when operating the base system.
Do not stand inside the bed / on the internal storage base.
Do not overload the internal storage base.

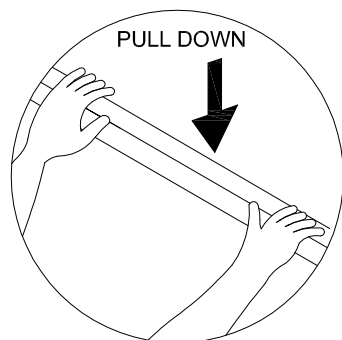
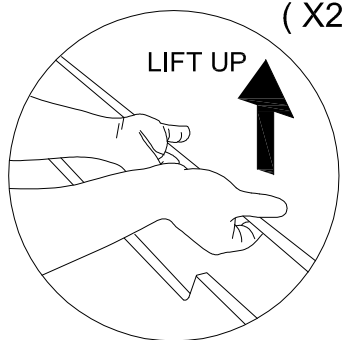
STEP 17



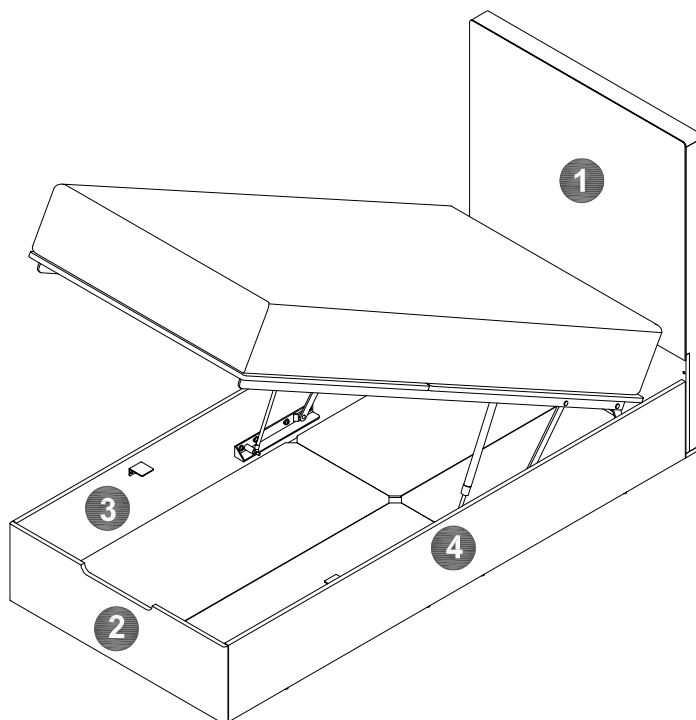
~ Make sure the Bed Frame 4 side angles are at 90 degrees before you closing the lift base.

STEP 18

(X20 TIMES)



UP
DOWN



~ The mattress must be fitted to the base. (Do not operate the lift up mechanism without the mattress fitted to the base.)

~ Lift Up and Down the Lift-Up Frame with Mattress at least 20 times before use.