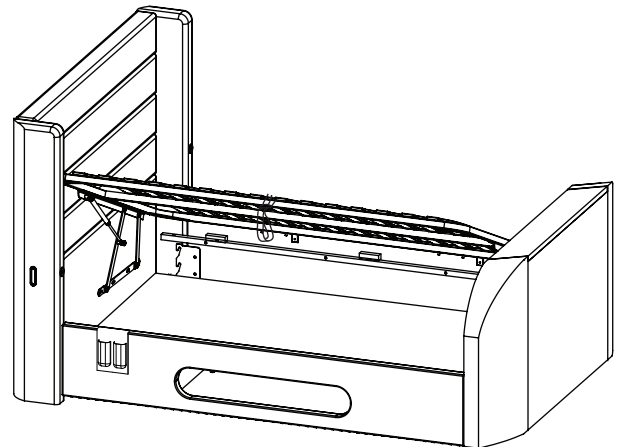
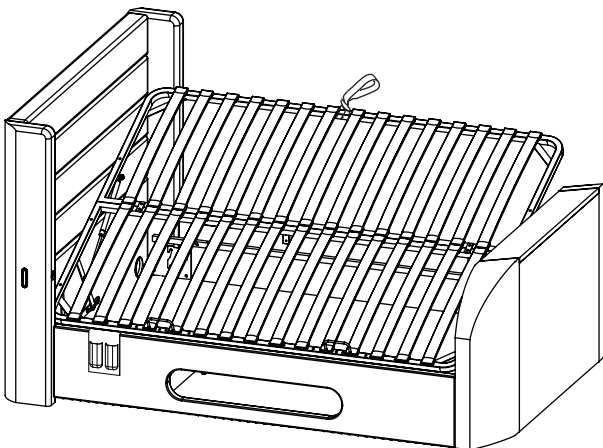
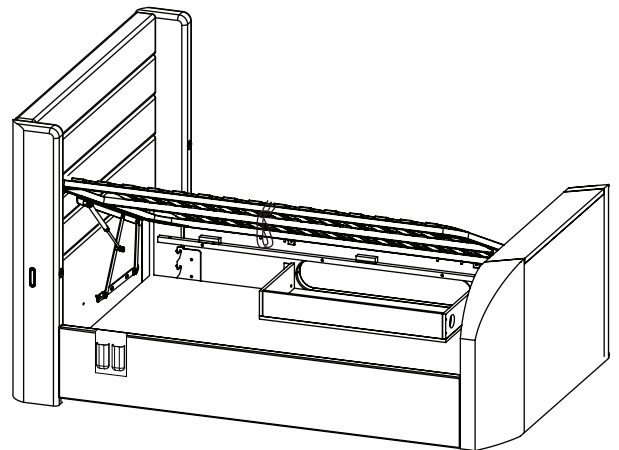
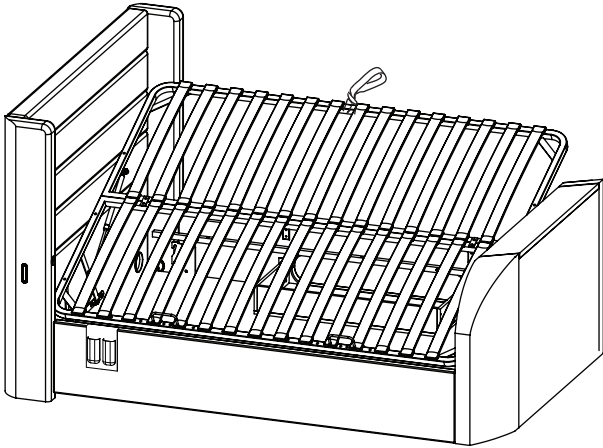


# DRIFT TV BED



WHEN THE OTTOMAN UPGRADE IS SELECTED - PLEASE USE THIS AI -- IGNORE THE STANDARD BED AI IN PACK 3



1.5 hour approx  
assembly time



Two person  
assembly

**Dreams**

MK1 220422

# Thank You

Dear Customer, Thank you for choosing to purchase your bed from Dreams - we hope it brings you your best ever night's sleep. Before you begin building your bed, please take a moment to read through the instructions and make sure that you've got all the relevant parts listed on the following pages.



## Assembly tips

Before you begin, it's best to identify all parts and fittings to build your bed. We advise laying these out on the floor to check you have everything, and familiarising yourself before building.



## Top tip

We recommend that you build your new bed in the room you'd like it to be located in - this will help prevent any risk of damage to your newly built bed whilst moving it.



## Safety and care

It's really important to ensure children and animals are kept away from the assembly area, as there are small components used in this bed which could present a choking hazard. All plastic and wrapping materials should also be kept away from children and animals to prevent any risk of suffocation. To keep your little ones busy, there is a colouring page inside the back cover.



## Help and support

At Dreams, it's our mission to give the whole nation a great night's sleep - this means that the quality of our products is of utmost importance to us. If there are any issues with your product or any missing parts, please contact our Help Centre on 0800 652 6750, where a member of our team will be happy to help. (For customers based in Northern Ireland, please call 028 9050 8300).



## Recycling

Please ensure that packaging is disposed of in a safe and environmentally friendly way, and recycle where possible. Our assembly instructions are printed on recycled paper. Please keep your assembly instructions safe to refer back to in the future.

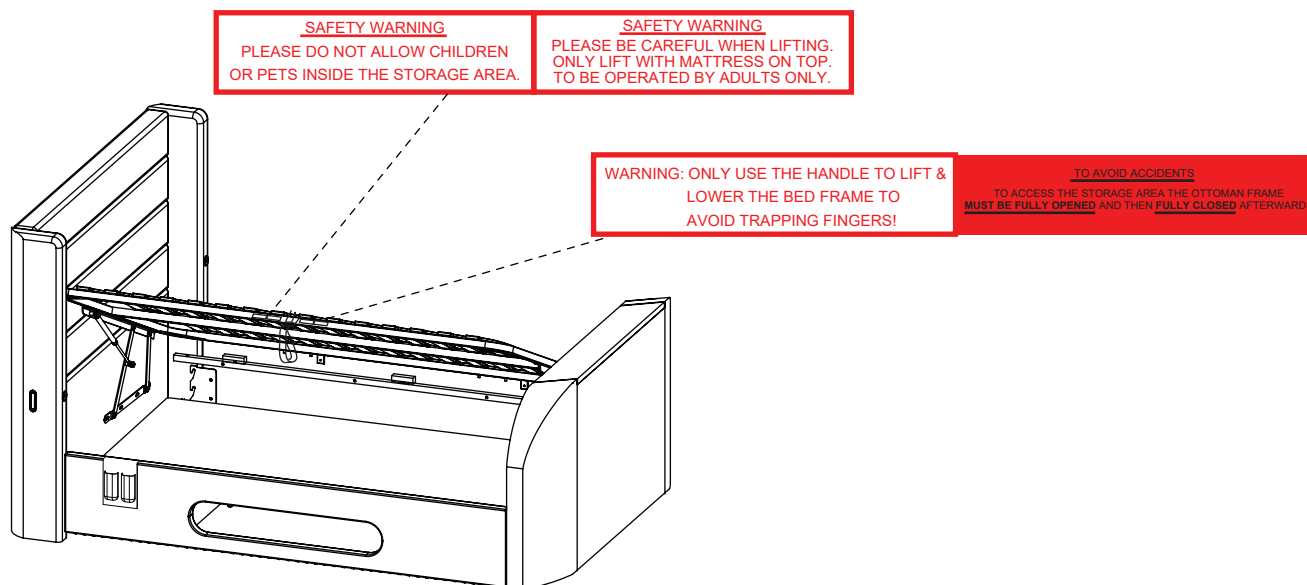
# Warning

- You must ensure that the mattress is on the bed frame before operating the lift mechanism, failure to do so could result in injury.
- Keep hands clear of the mechanism when opening or closing the ottoman.
- Beware of entrapment – Never reach in through the mechanism to access the storage area.
- Always ensure that the ottoman is FULLY opened before accessing the storage area.
- Do not exceed the maximum weight as specified in the table below:

Bed	Bed Size	Min Weight (kg)	Max Weight (kg)
Drift	Small Double	30	60
	Double	30	60
	King	30	60



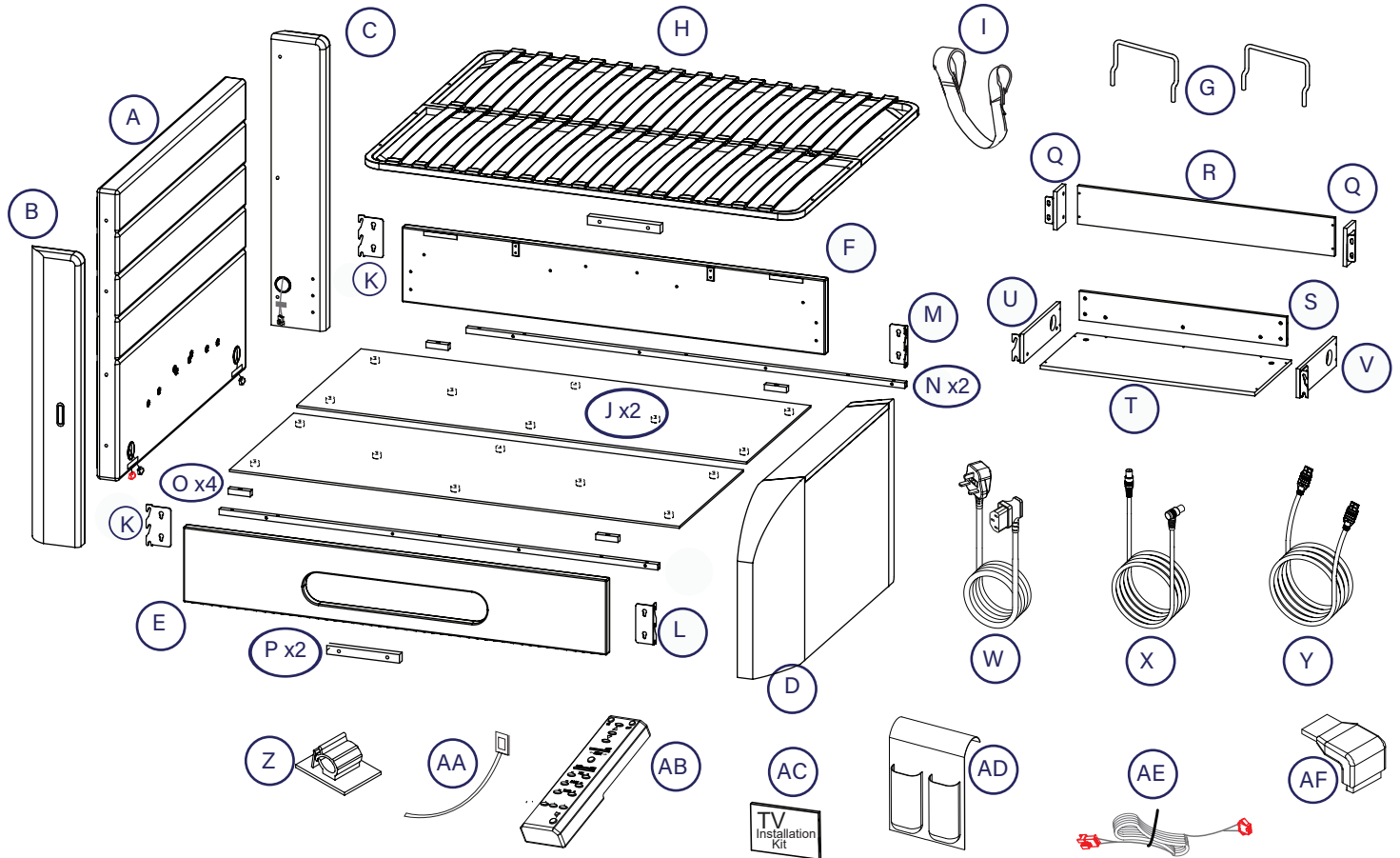
- Use caution when operating, always use the handle when lifting.
- Note: This bed uses a pressurised mechanism.
- To be operated by adults only
- Please ensure that children and pets are kept away from the bed when operating the lift mechanism.
- Keep children and pets away from the storage area.
- Do not overload the internal storage base.
- Do not stand inside the internal storage area of the bed.
- Before removing the mattress secure the frame to ensure it does not open unexpectedly.
- Do not attempt to lie on the mattress when the ottoman is in the raised position.



# Parts

## Important information

The bed you have purchased comes with a metal slat frame lifting from the side. You can configure this to open from left side or right side to make it convenient for the layout of the room it will be located in - please follow the instructions below in their current order. The media tray can also be fitted on left or right.



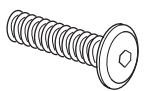


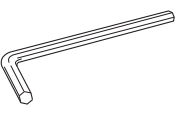

## Parts list

A.	Headboard	1	Q.	Cable Guard Side Panel Cable	2
B.	LH Wing	1	R.	Guard Front Panel	1
C.	RH Wing	1	S.	Media Tray Back Panel	1
D.	Footboard	1	T.	Media Tray Base Panel	1
E.	Side Rail - with Media Tray	1	U.	Media Tray Side Panel - Left	1
F.	Side Rail - without Media Tray	1	V.	Media Tray Side Panel - Right	1
G.	Mattress Stoppers	2	W.	Mains Power Lead - 3.5 mt	1
H.	Metal Slat Frame	1	X.	Aerial Lead - 4 mt	1
I.	Fabric Hand Strap	1	Y.	HDMI Lead - 2.8 mt	2
J.	Storage Base Boards	2	Z.	Cable Clip	8
K.	Flat hook bracket - Headend	2	AA.	Cable Tie	5
L.	Angled hook bracket - Footend LH	1	AB.	Audio_TV Lift Remote Control	1
M.	Angled hook bracket - Footend RH	1	AC.	TV Installation Kit	1
N.	Metal Slat Support Rail	2	AD.	Remote Control Holster	1
O.	Cushion Block	4	AE.	USB Connection Cable	1
P.	Slat Frame Wooden Support Rail	2	AF.	HDMI 90° Adapter	1

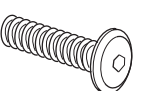

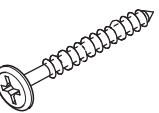

# Fittings

Please check you have all the parts listed below with your product:

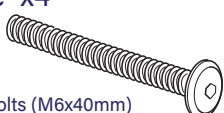
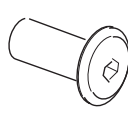

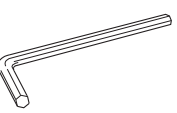

## Hardware needed for assembly headboard and fitting side rails to headboard & footboard Packed in side rail Pack 3 - hardware Pack (A)

<p>a x20</p>  <p>Bolts (M8x30mm) for fitting side rails to headboard &amp; footboard</p>	<p>b x26</p>  <p>Spring washer for M8 bolts</p>	<p>c x26</p>  <p>Flat washer for M8 bolts</p>	<p>d x1</p>  <p>Allen key for M8 bolt</p>	<p>j x6</p>  <p>Bolts (M8x40mm) for fitting wings (B&amp;C) to main headboard (A)</p>
---	--	--	---	--

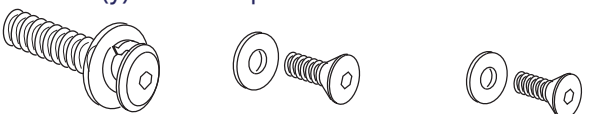
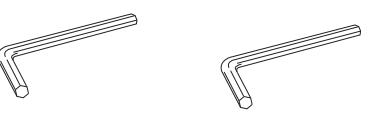
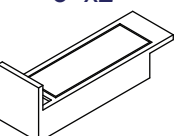
## Hardware needed for assembling and fitting media tray to side rail Packed in media tray Pack 4 - hardware pack (B)

<p>a x6</p>  <p>Bolts (M8x30mm) for fitting media tray to side rail (C) (there are two spare bolts)</p>	<p>c x4</p>  <p>Flat washer for M8 bolts</p>	<p>m x11</p>  <p>Screws (5x50mm) for assembling media tray panels</p>	<p>n x11</p>  <p>Plastic barrel nuts for bolts (m)</p>
--	---	--	---




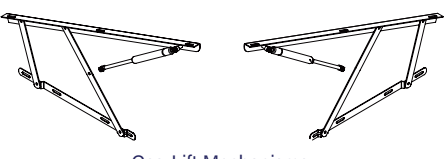
## Hardware needed for fitting cushion blocks (O) to metal slat supports Packed in side rail Pack 3 - hardware pack (C)

<p>e x4</p>  <p>Bolts (M6x40mm) for fitting the wooden Cushion Blocks to metal slat support rails.</p>	<p>f x4</p>  <p>Sleeve nut for M6 bolts</p>	<p>g x4</p>  <p>Flat washer for M6 bolts</p>	<p>h x1</p>  <p>Allen key for M6 bolt</p>	<p>k x4</p>  <p>Spring washer for M6 bolts</p>
---	--	---	---	---

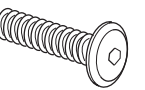

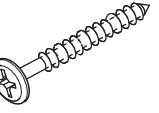

## Hardware needed for installation of the TV is packed in the accessory box in footboard Pack 2

<p>(y) choose a pair of suitable bolt sets</p>  <p>Bolt sets M8 x 25mm</p> <p>Countersunk Screw sets (M6x12mm)</p> <p>Countersunk screw sets (M4x12mm)</p>	<p>(z) choose a suitable Allen key</p>  <p>Allen key (2.5mm)</p> <p>Allen key (4mm)</p>	<p>o x2</p>  <p>TV Support slide</p>
---	---	---



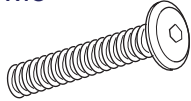
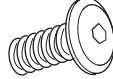



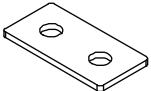
## Hardware needed for fitting gas-lift mechanisms to headboard & footboard Packed in ottoman Pack 5 - hardware pack (D)

<p>a x8</p>  <p>Bolts (M8x30mm) for fitting gas-lift mechanisms p(a) &amp; p(b) to headboard and footboard</p>	<p>b x8</p>  <p>Spring washer for M8 bolts</p>	<p>c x8</p>  <p>Flat washer for M8 bolts</p>	<p>p(a)                      p(b)</p>  <p>Gas-Lift Mechanisms</p>
---	---	---	---

## Hardware needed for assembling and fitting cable guard to base of footboard Packed in ottoman Pack 5 - hardware pack (D)

<p>a x4</p>  <p>Bolts (M8x30mm) for fitting cable guard to footboard</p>	<p>c x4</p>  <p>Flat washer for M8 bolts</p>	<p>m x4</p>  <p>Screws (5x50mm) for assembling cable guard</p>	<p>n x4</p>  <p>Plastic barrel nuts for bolts (m)</p>
---	---	---	--

## Hardware needed for fitting metal slat frame & gas-lift mechanisms Packed in ottoman Pack 5 - hardware Pack (D)

<p>b x18</p>  <p>Spring washer for M8 bolts</p>	<p>c x28</p>  <p>Flat washer for M8 bolts</p>	<p>q x18</p>  <p>Bolt (M8x45mm) for fitting metal slat frame (G) to gas-lift mechanisms (p)</p>	<p>r x4</p>  <p>Bolts (M8x20mm) for fitting metal connection plates (v) to slat frame (G)</p>	<p>s x6</p>  <p>Nut for M8 slat frame bolts</p>
<p>t x2</p>  <p>Flanged lock-nut (M8) for gas-lift pistons</p>	<p>u x1</p>  <p>Spanner for M8 nuts</p>	<p>v x2</p>  <p>Metal connection plate for slat frame</p>		

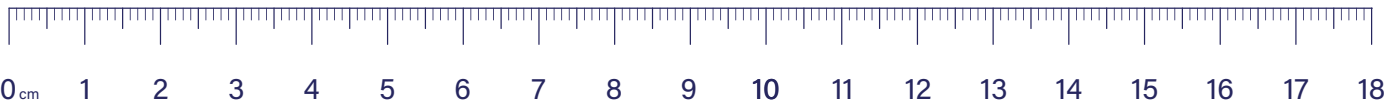
## Tools required



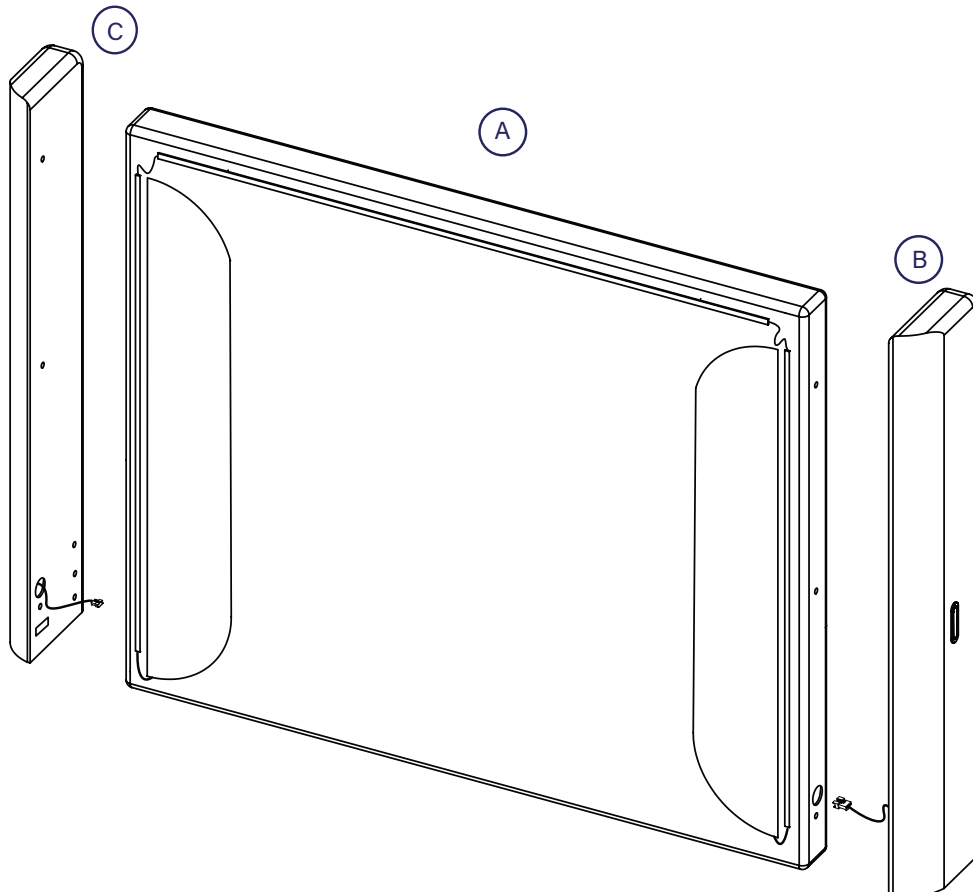
Tape measure



Cross head screwdriver

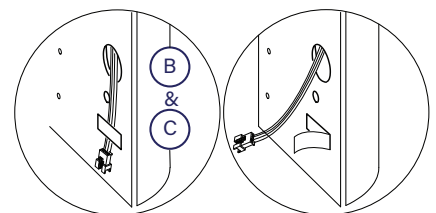


### 1 Fit wings to the headboard one at a time.

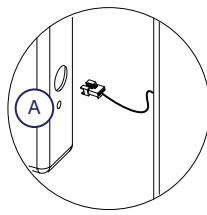
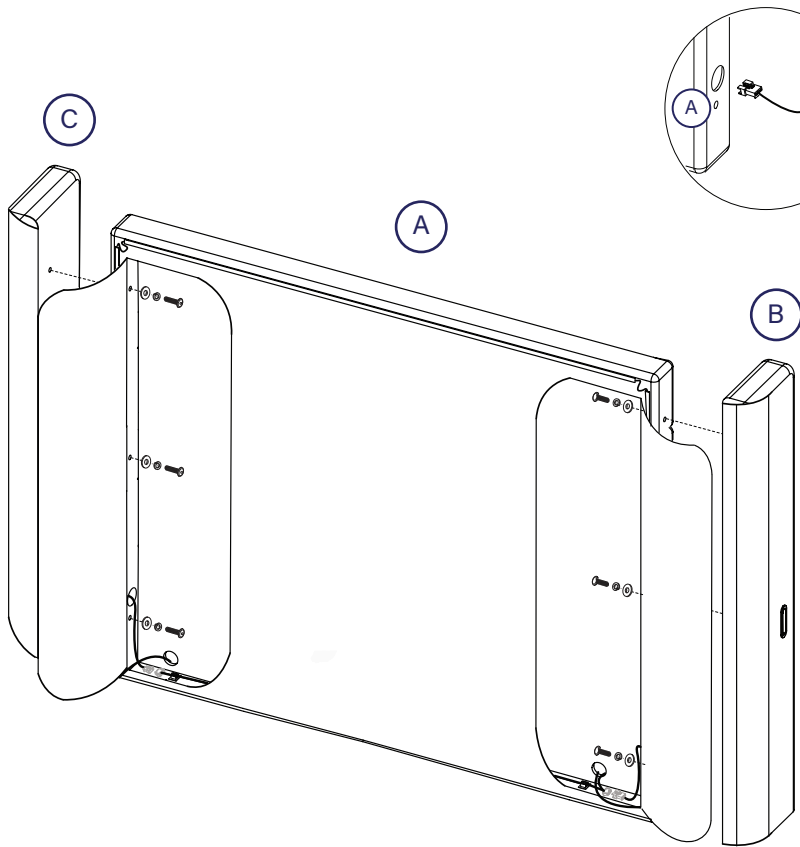
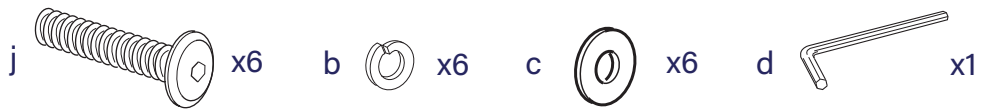


i) Unzip both access compartments.

ii) Release USB cables from bottom of the wings.



iii) Put first wing close to the headboard.

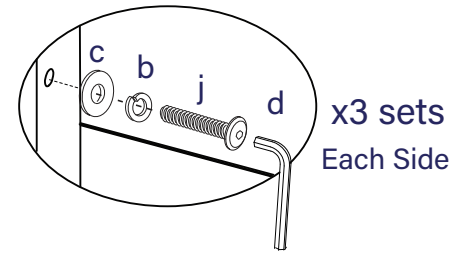


**iv)** Pass the USB cable through the hole in the bottom of the headboard.

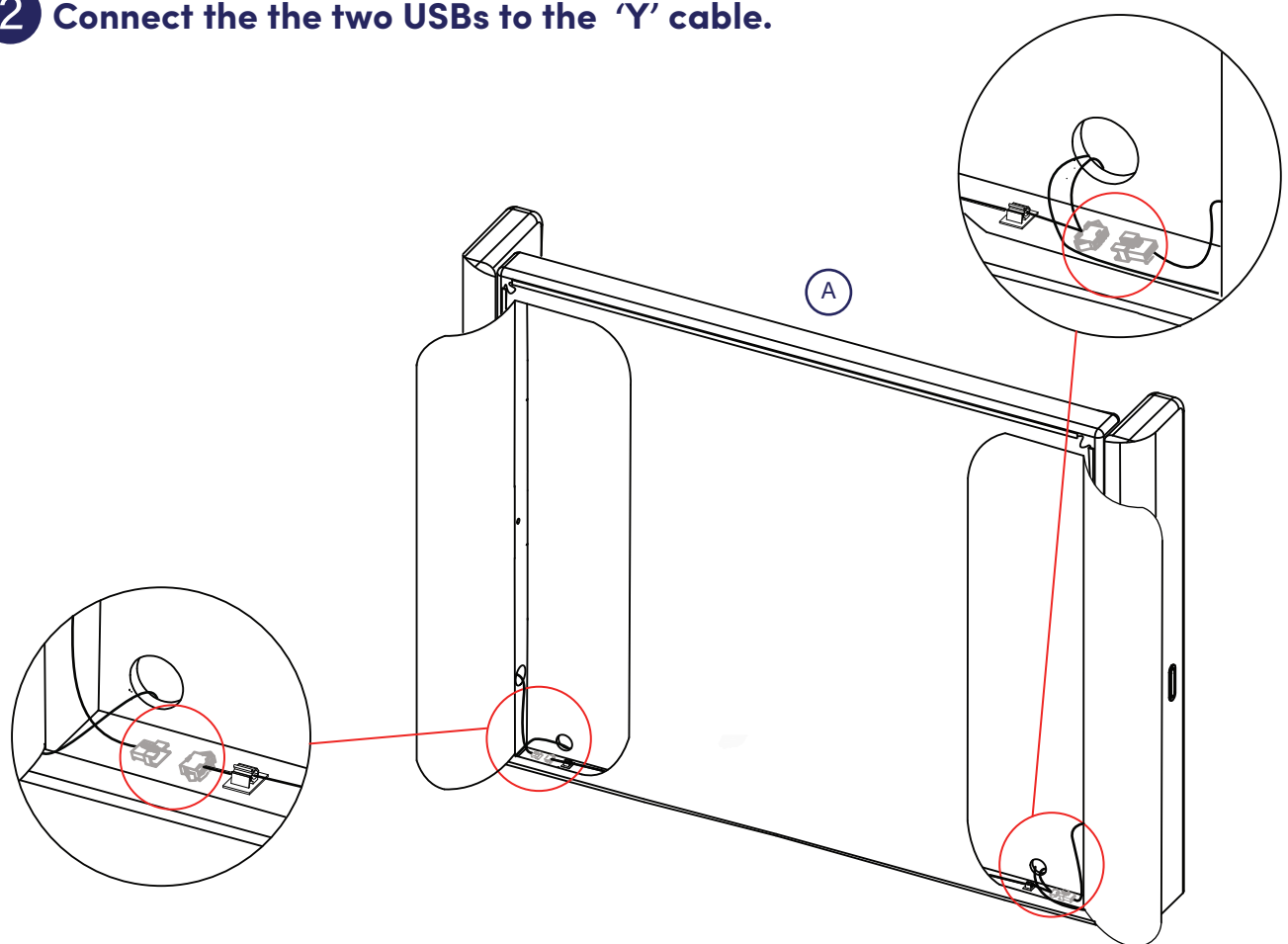
**v)** Making sure cable is not trapped, tug through from inside HB but do not pull too hard. Align edges of the wing with headboard.

**vi)** Using three bolt sets (j, b & c), fit the wing to the headboard bolting into the three pre-tapped holes on inner side of each wing - tighten with Allen key (d).

Repeat on the other side.



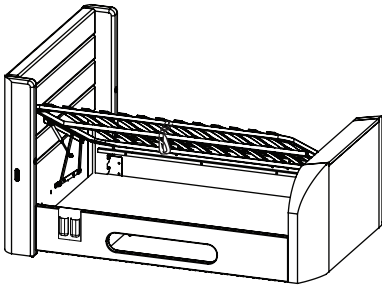
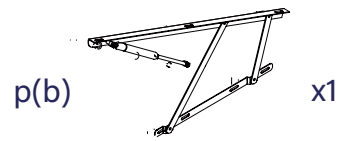
**2** Connect the the two USBs to the 'Y' cable.



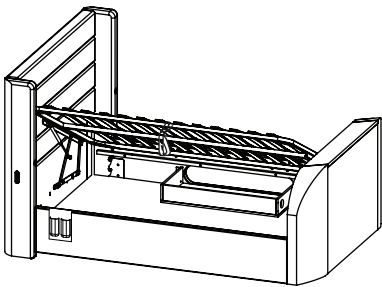
Prepare headboard & footboard choosing from which side to lift up the ottoman.

**3a** Follow these instructions if you want to lift the frame up from the LEFT side.

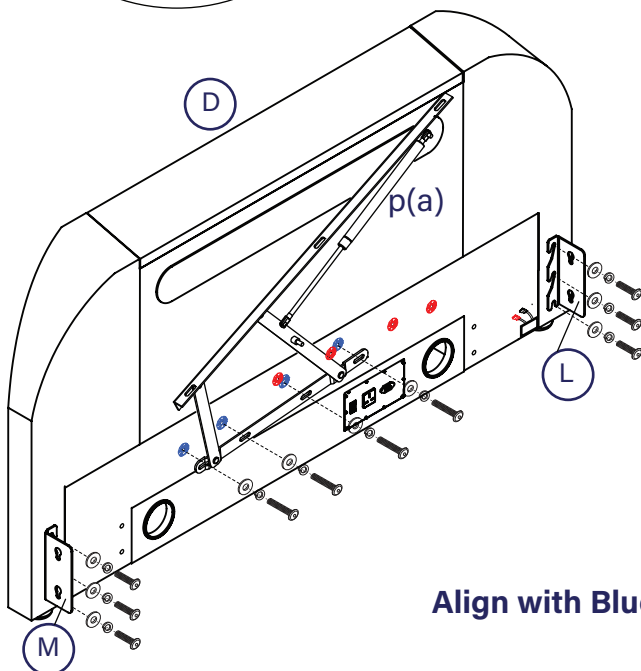
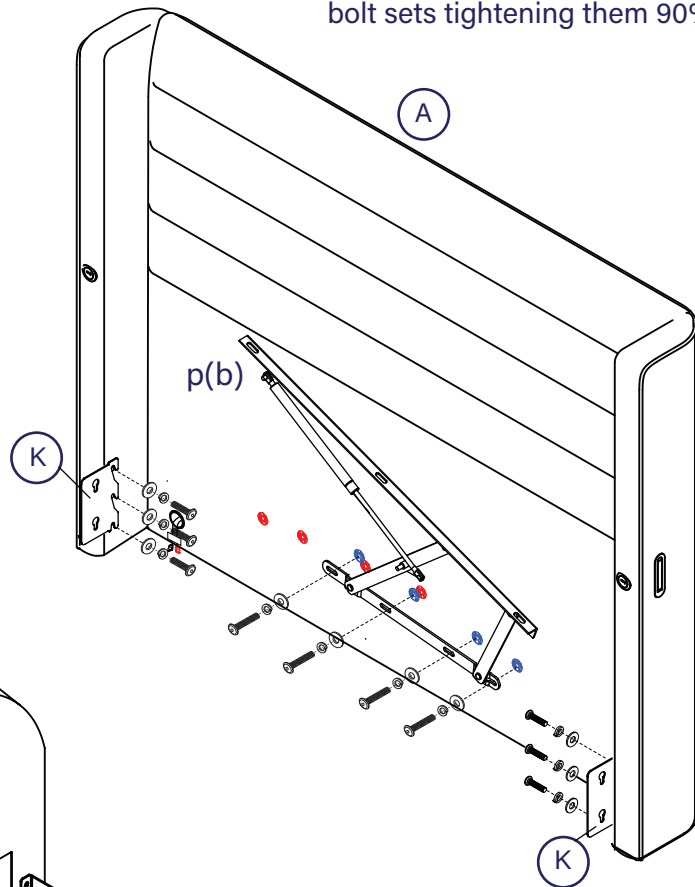
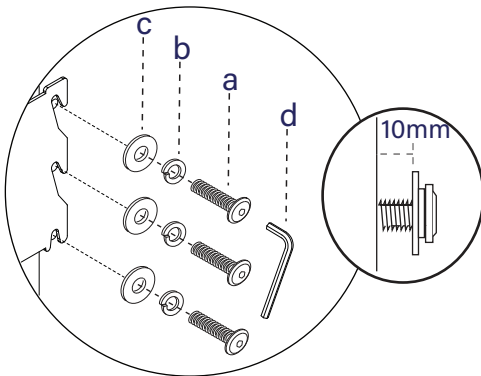
- a  x20
- b  x20
- c  x20
- d  x1



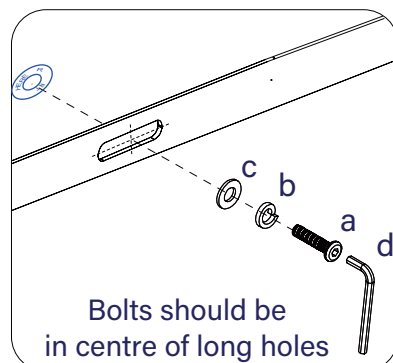
The mechanisms are labeled p(a) & p(b). Please carefully follow the diagram below and if access is needed from left side of the bed, fit both mechanisms to right side of the headboard & footboard. Bolt into the centre of the blue labeled holes marked (R), tighten x8 bolt sets 100%.



Fit the brackets (K, L & M) using x12 bolt sets tightening them 90%.



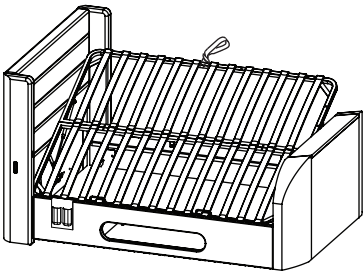
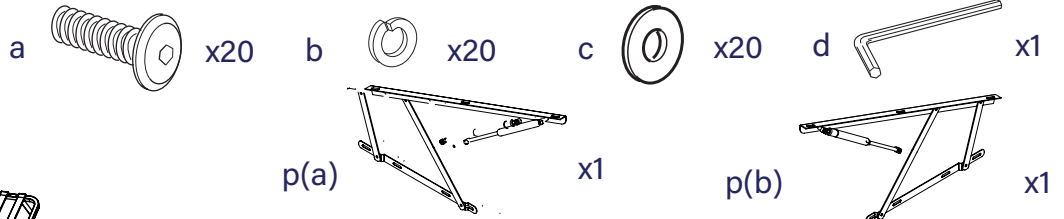
**Align with Blue labels**



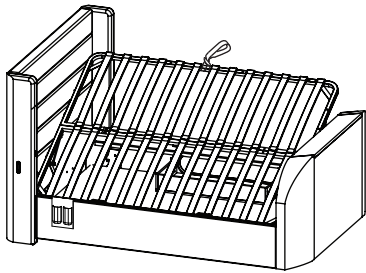


3b

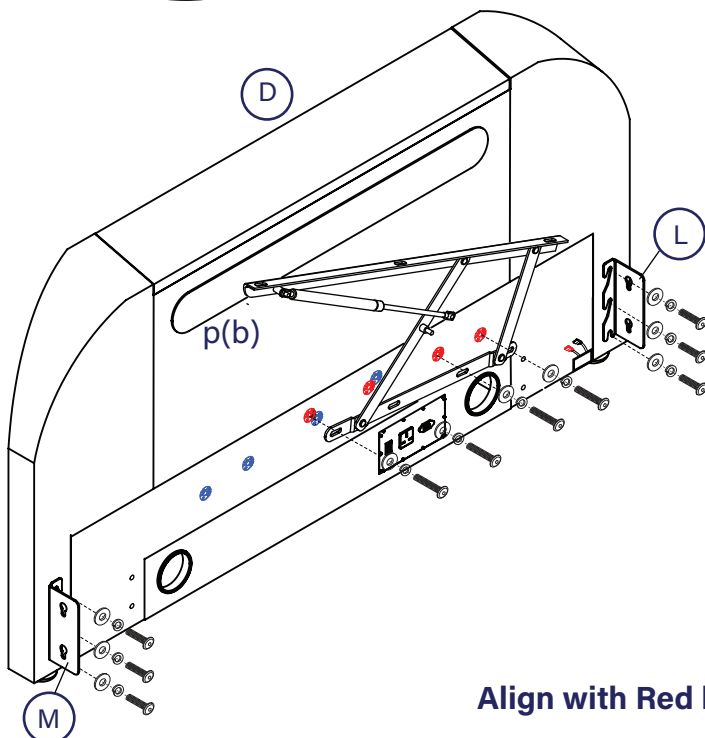
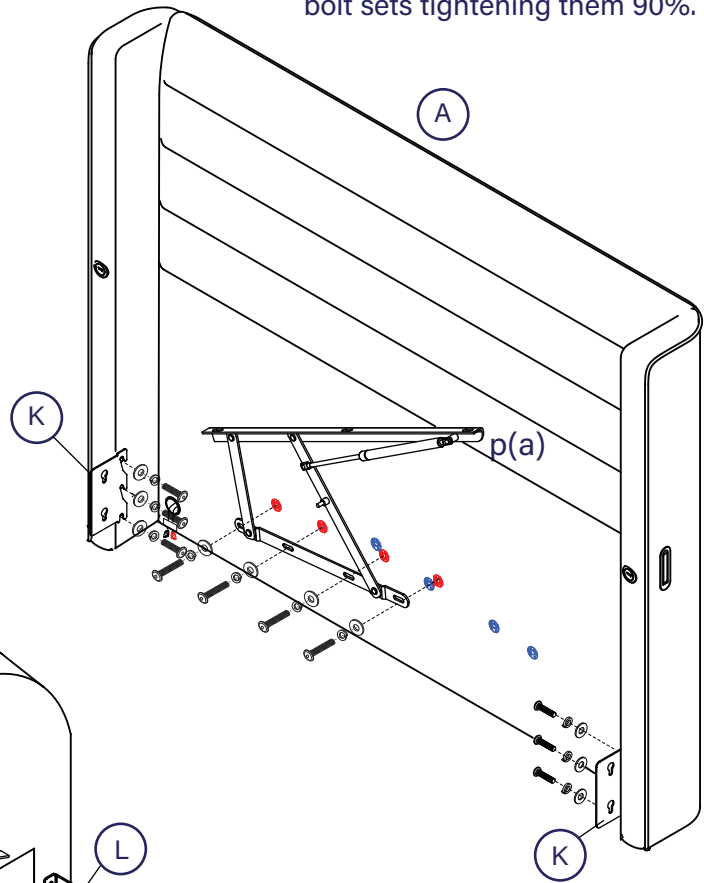
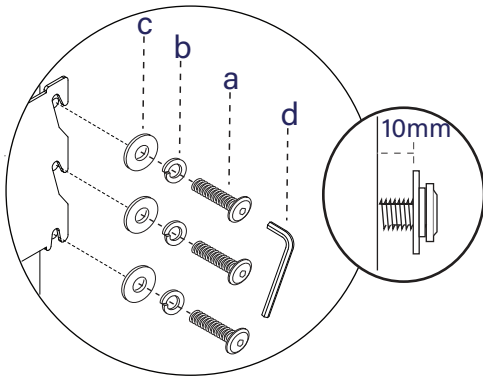
Follow these instructions if you want to lift the frame up from the RIGHT side.



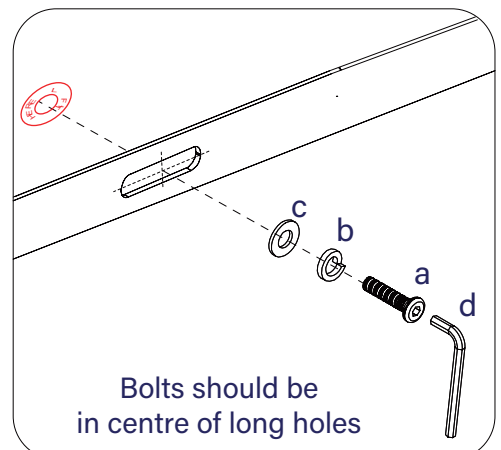
The mechanisms are labeled p(a) & p(b). Please carefully follow the diagram below and if access is needed from left side of the bed, fit both mechanisms to right side of the headboard & footboard. Bolt into the centres of the red labeled holes marked (L), tighten x8 bolt sets 100%



Fit the brackets (K, L & M) using x12 bolt sets tightening them 90%.

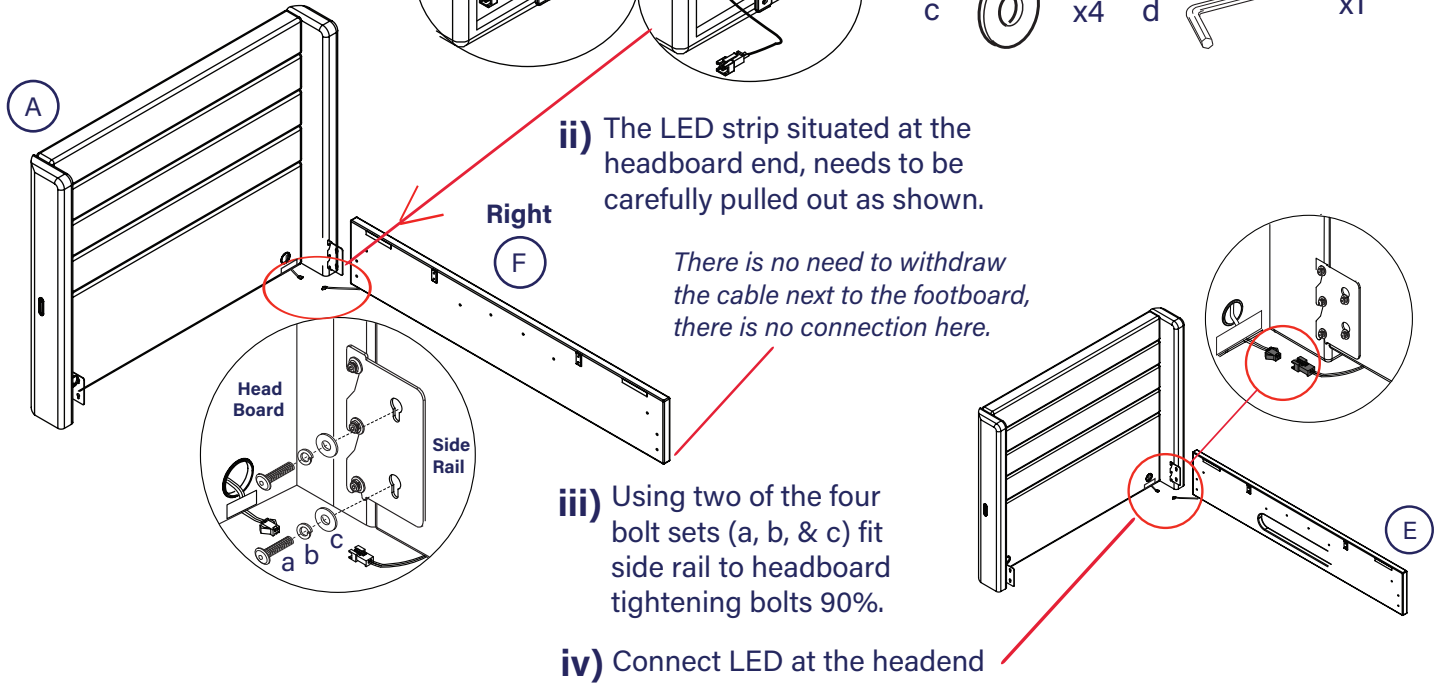
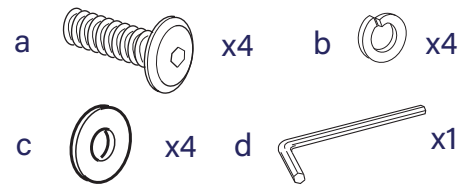


Align with Red labels

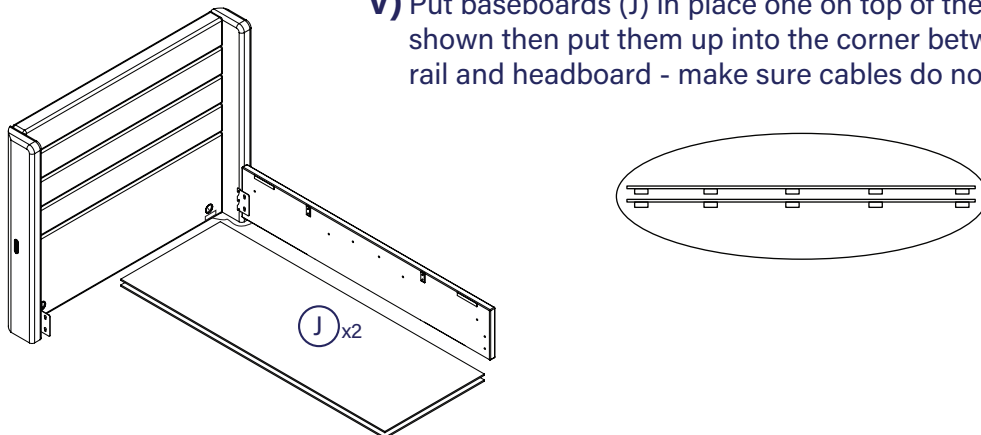


## 4 Fit the RH side rail and place base boards inside the storage area.

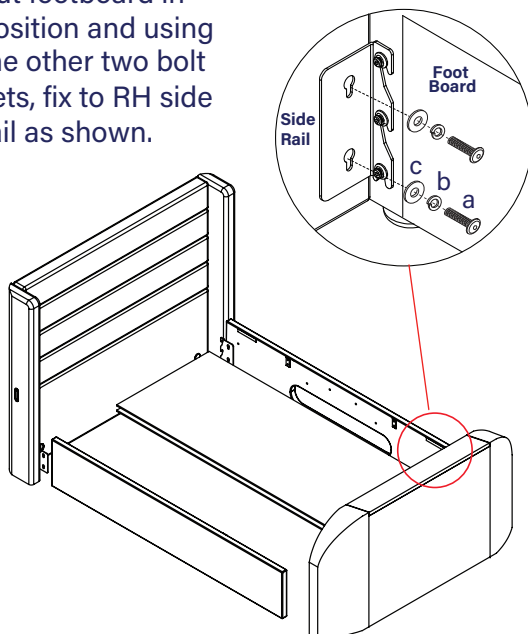
i) Stand headboard close to its final position. Choose which side rail to fit on the right side: (E or F).



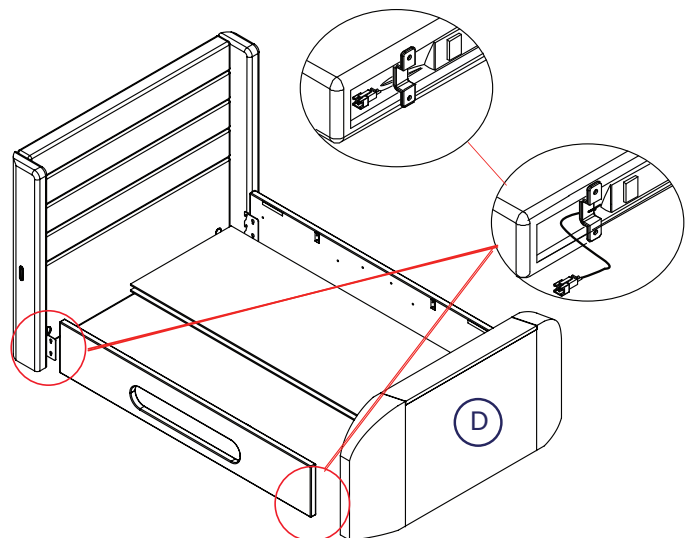
v) Put baseboards (J) in place one on top of the other as shown then put them up into the corner between RH side rail and headboard - make sure cables do not get trapped.



vi) Put footboard in position and using the other two bolt sets, fix to RH side rail as shown.

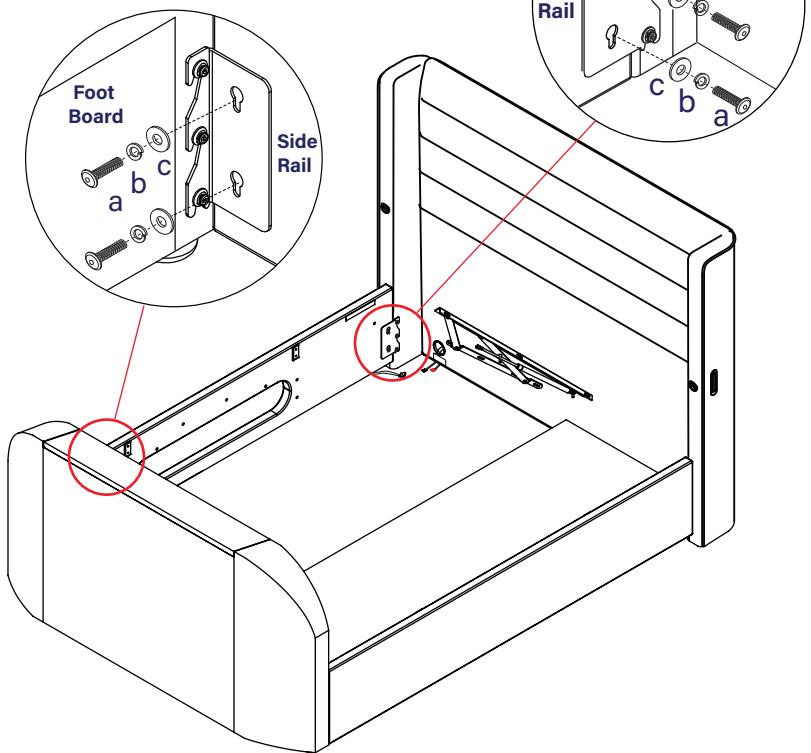


vii) The LED cable tails at both ends of the LH side rail need to be carefully pulled out as shown then the rail put into position, take care not to snag them.

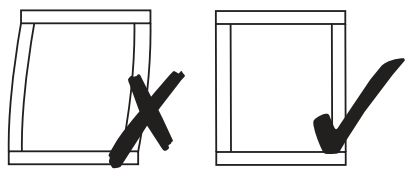


- a  x4
- b  x4
- c  x4
- d  x1

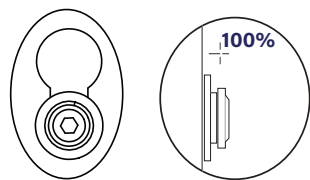
**viii)** Using four bolt sets (a, b, & c) fit LH side rail to headboard and footboard tightening bolts 90%.



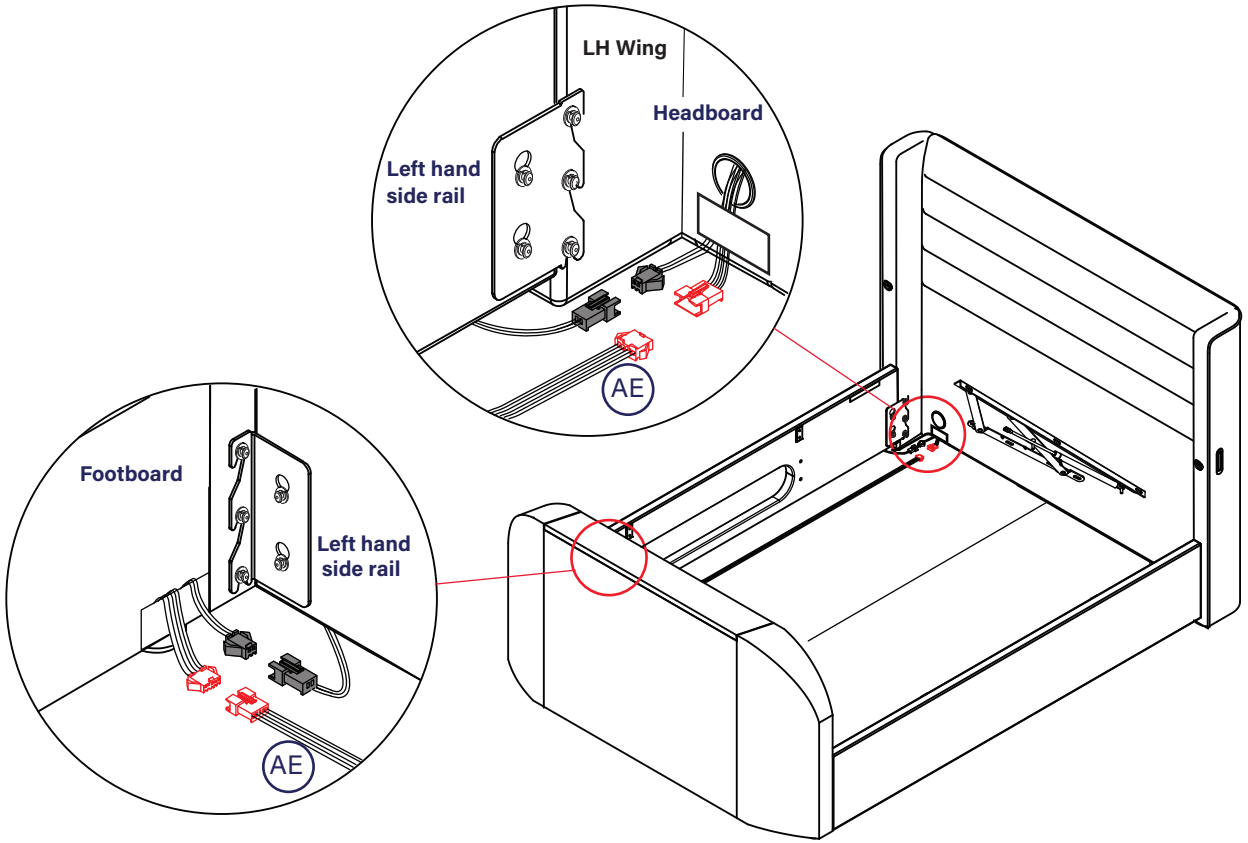
**ix)** Make sure the bed is squared up as shown in the diagram.



**x)** Check the bolts on the side rails are sitting down in the keyhole slots then tighten all x20 bolt sets 100%.



**5** Lay out and connect the USB interconnecting cable (AE) between headboard & footboard, this has red connections at each end. Connect the black LED connections at each end of the side rail.



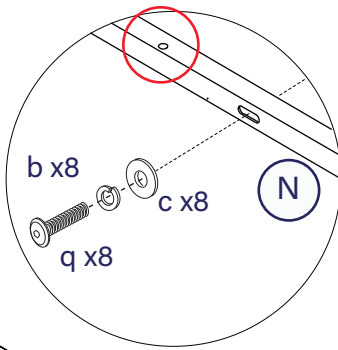
**6** Fit each slat support rail - note the hole position is off-center. ●



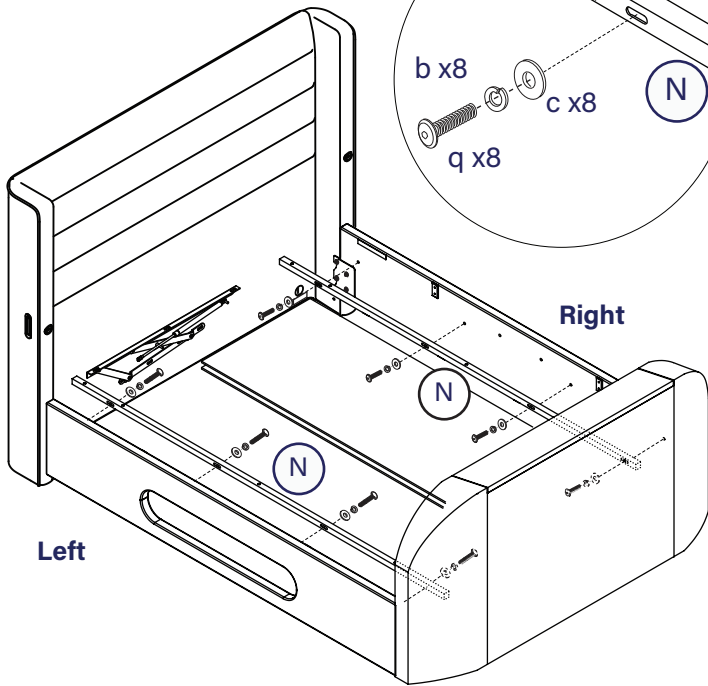
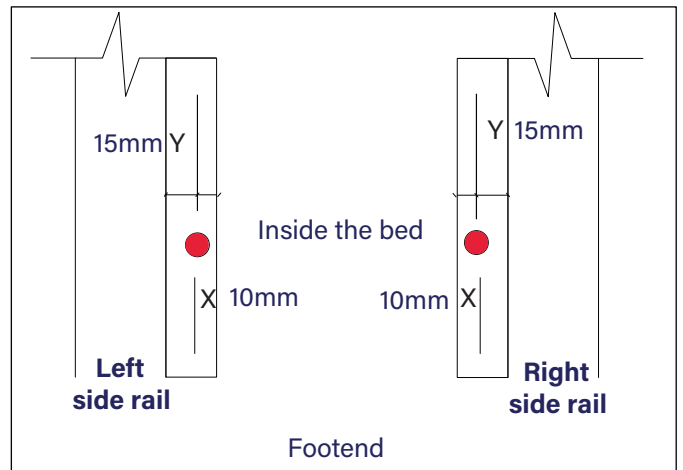
**Please note:**

The small distance X (10mm) is to be on the inside of the bed.

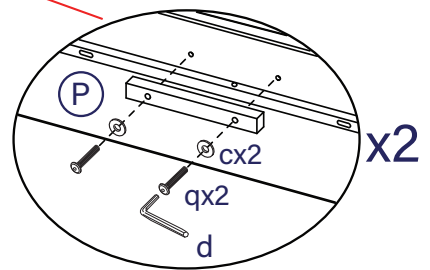
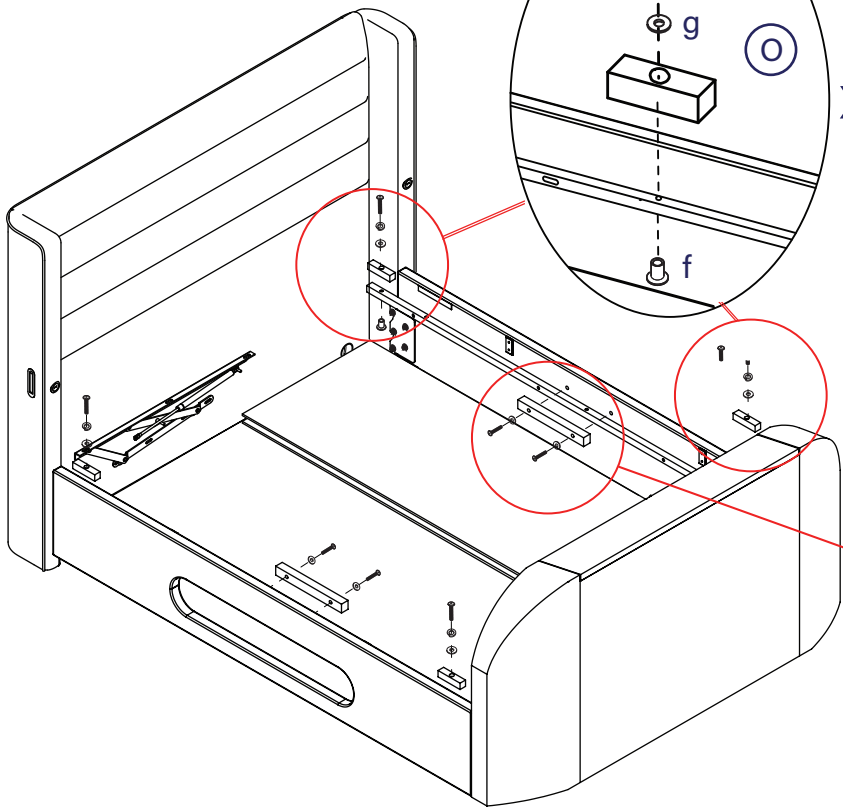
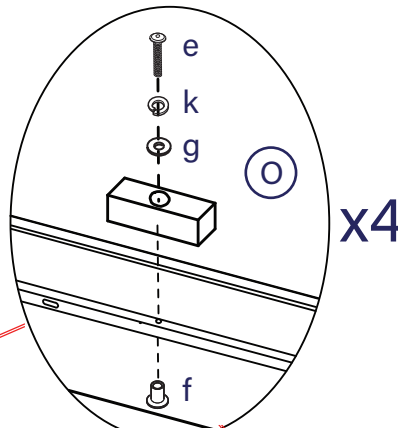
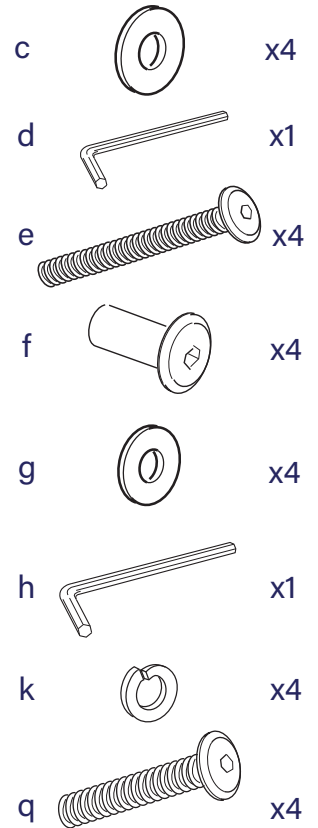
Large distance Y (15mm) is to be next to the side rail itself



Birds Eye View of the support bars (N)

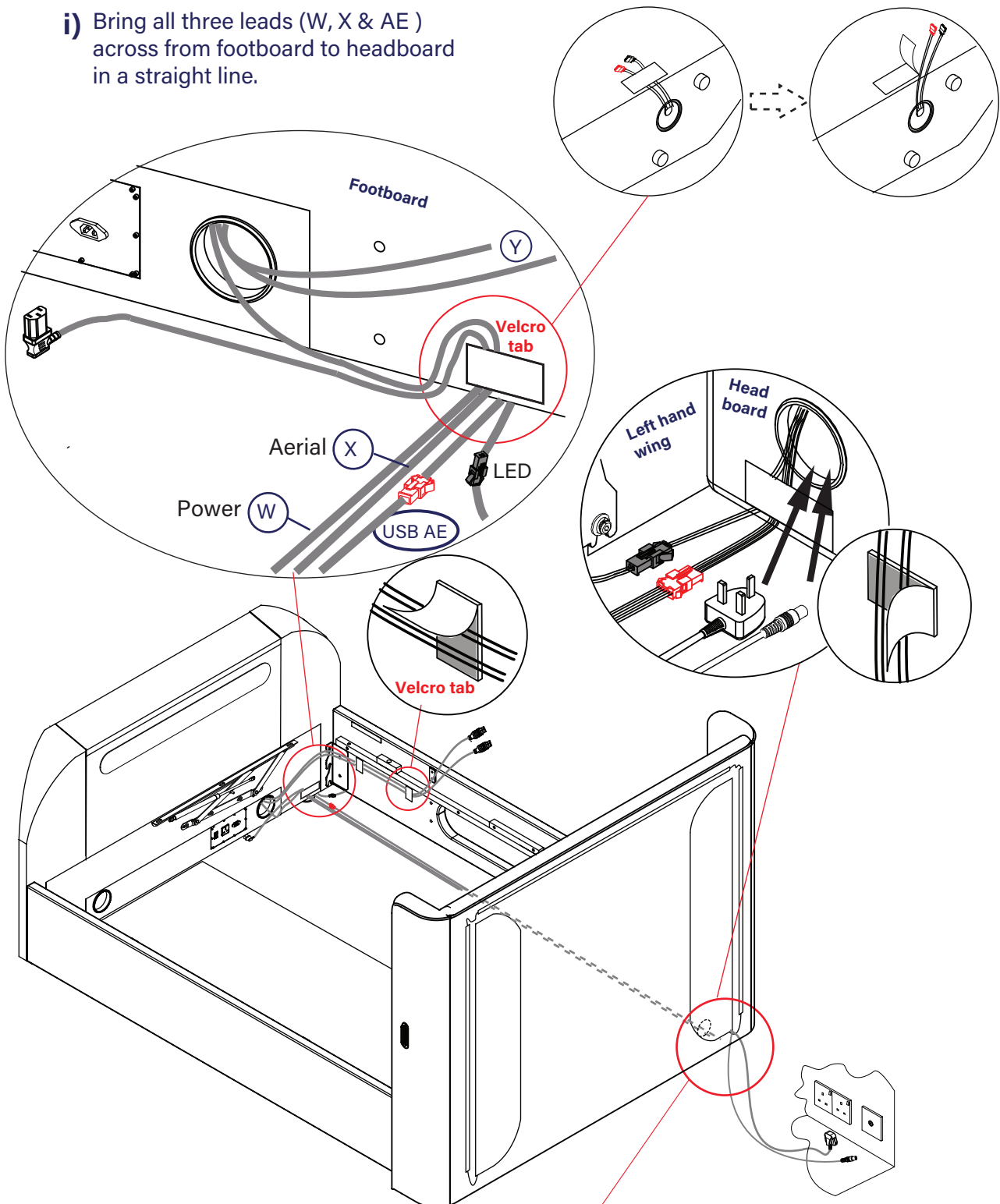


**7** Fit the four cushion pads (O) and the two central supports (P).



**8** Route the cables together as shown - make sure there are no ends left loose to get trapped or snagged.

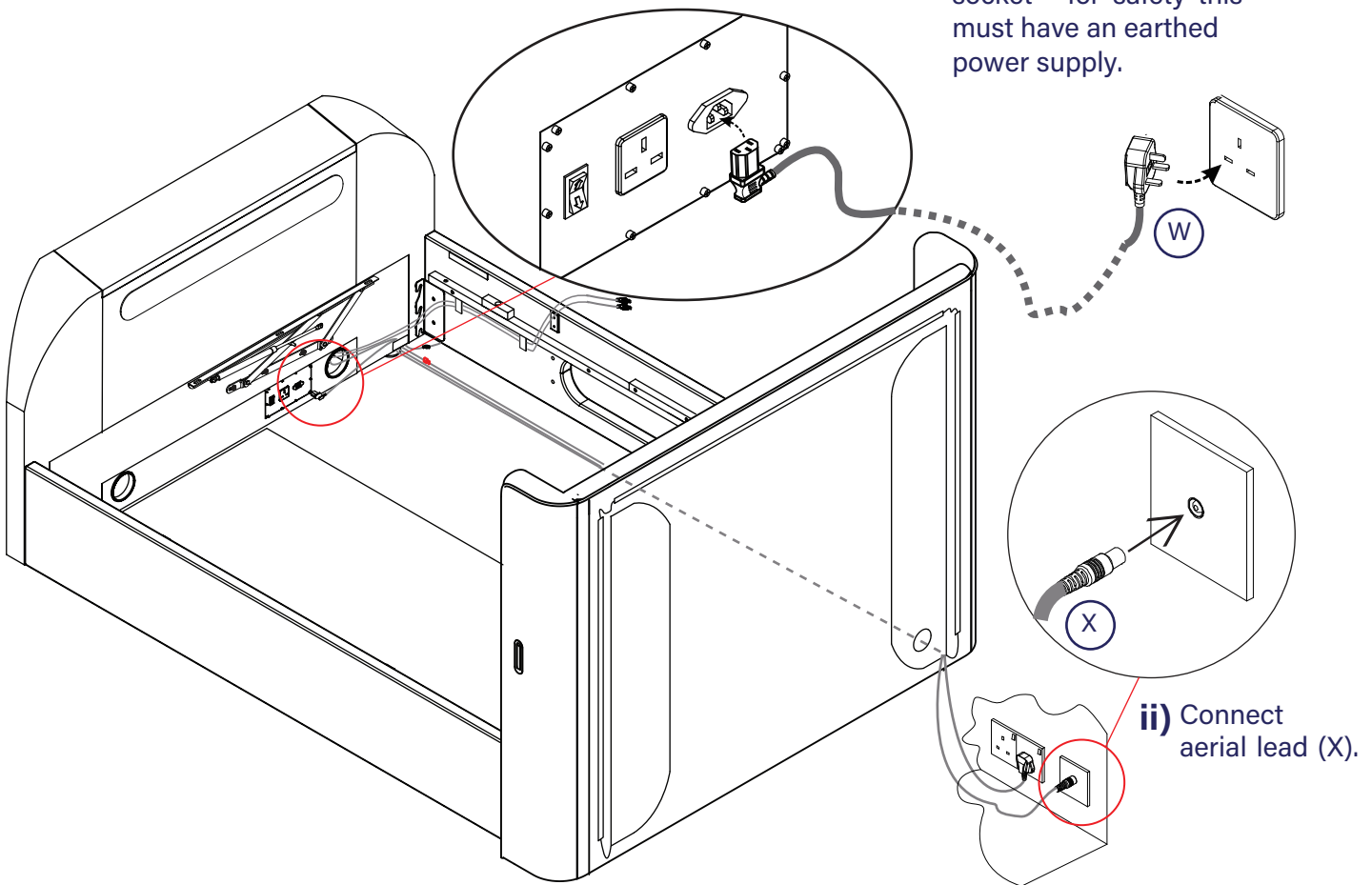
- i) Bring all three leads (W, X & AE) across from footboard to headboard in a straight line.



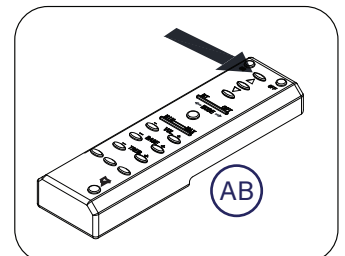
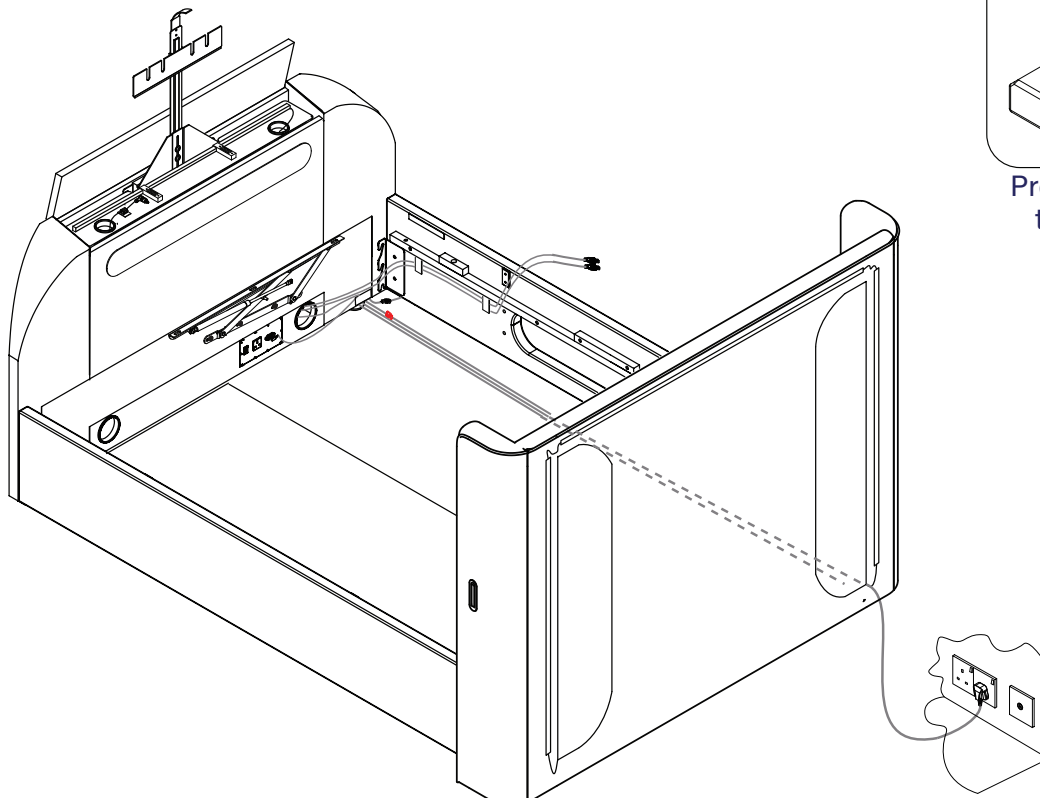
- ii) Pass aerial cable and 3 pin plug-top through the hole in left side of the headboard and route to the outside through the corner of the access flap zipper.
- iii) At each end, fix the cables neatly to the velcro tabs on the faces of the headboard & footboard.

## 9 Connect to the mains power socket.

i) Connect mains power lead (W) to your wall socket - for safety this must have an earthed power supply.



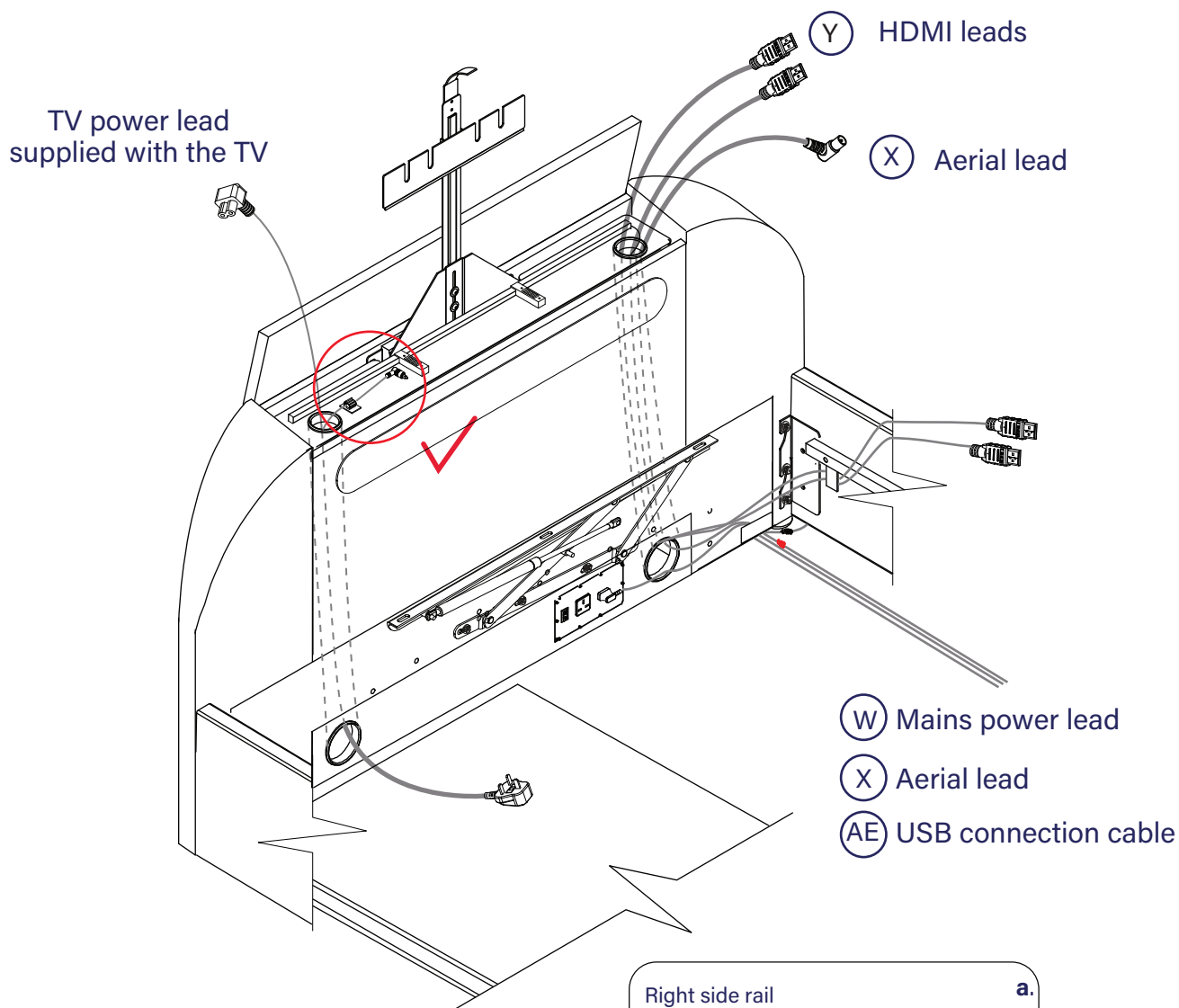
## 10 Prepare to fit the television.



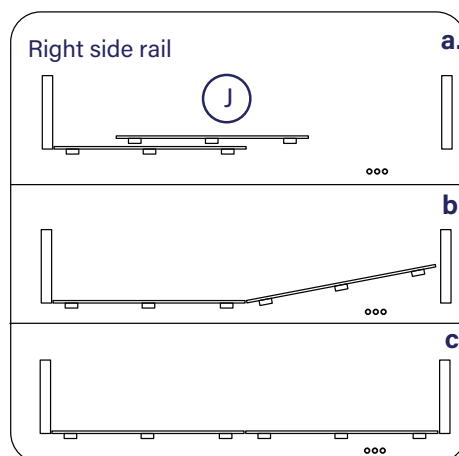
Press the "UP" button to raise the TV lift.

# 11 Note: For illustration purposes only, connections to the TV may vary.

- i) Before fitting the TV, push cables through each duct from the top choosing the best side to use depending on where the connection ports are on back of your TV.  
If optical socket is on RH side of TV, looking from the rear, the plug is in the correct position (see red circle below).  
If socket is on the opposite side, gently extract the cable out of the duct, take across behind TV to the new position.  
Adhere cable to back of TV with clips (Z). Please make sure there are no loose ends to get snagged.

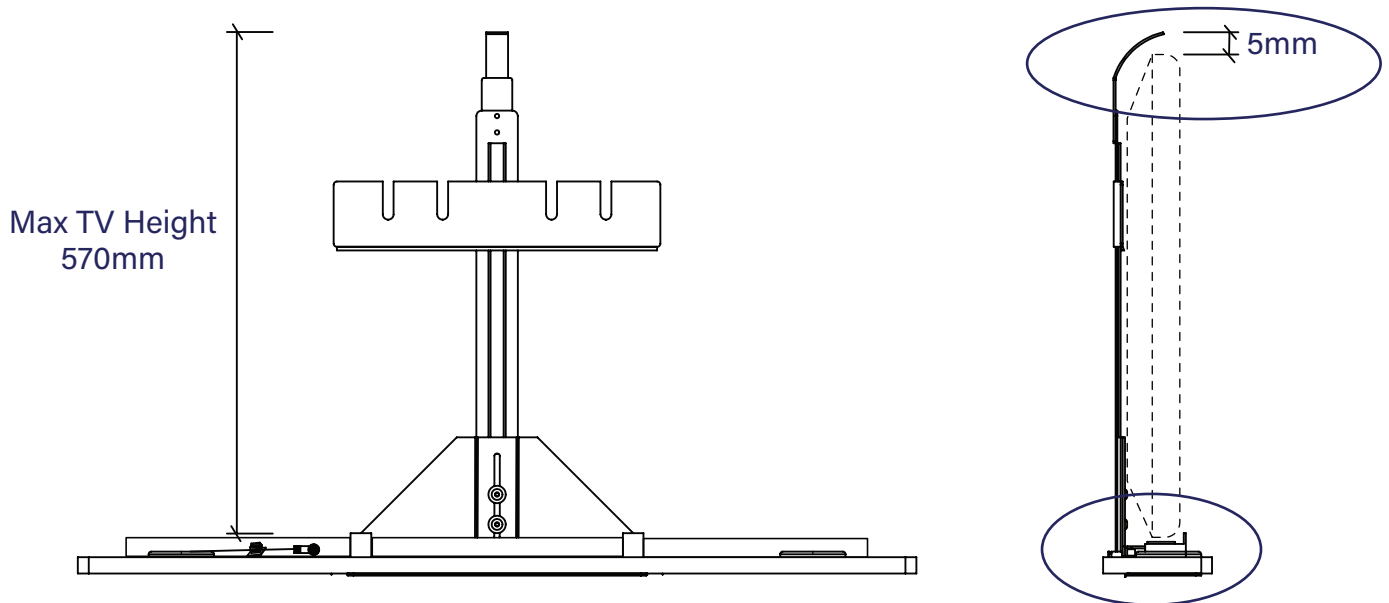


- ii) Once the three cables are lined up and all connected, slide the upper base board across into position making sure the cables are not trapped underneath the glides.

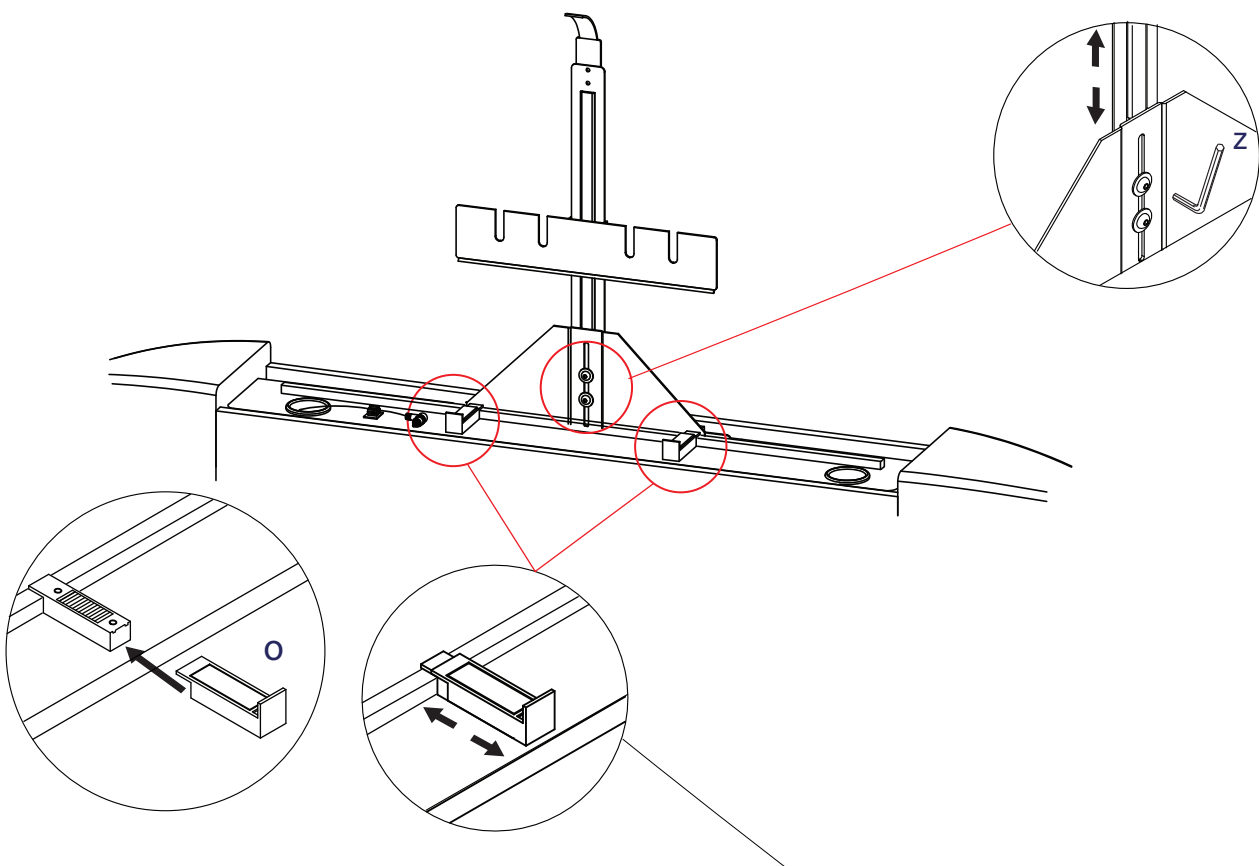


## 12 Height of TV is normally pre-set - follow this guide if it needs to be changed.

- i) Measure the height of the TV.  
Add 5mm to it's height then adjust the column to suit.



- ii) Loosen the two column adjustment bolts, slide column so curved lid lifter is just above the TV and re-tighten the two bolts.



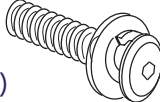
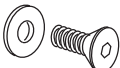



- iii) The upper part of each support (o) slides to hold front of TV in place.  
Please follow the instructions on how to correctly set these supports in Step 13.

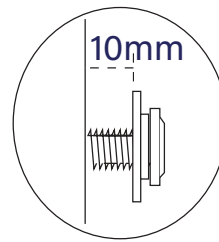
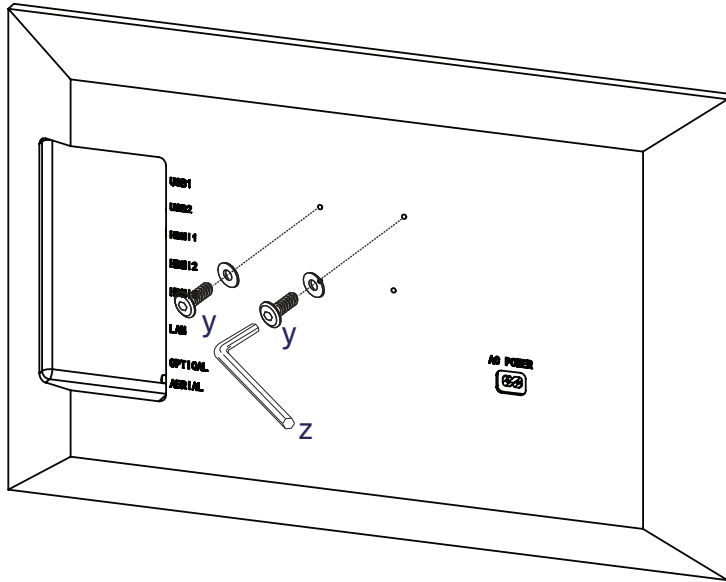


### 13 Fitting the television.

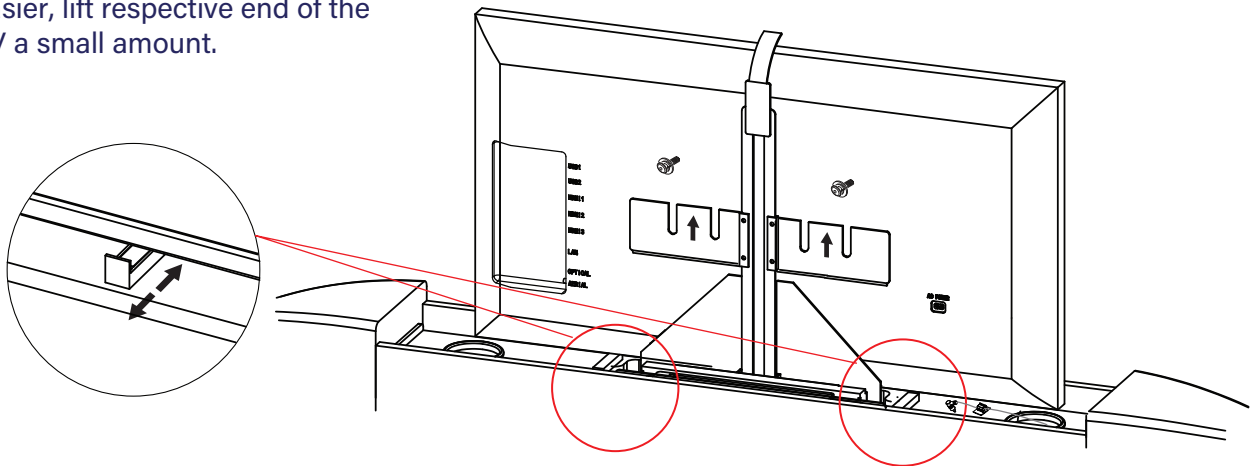
- i) Select suitable fixing bolts (y), if Vesa bolts and spacers are supplied with TV please use those instead - leave a gap so TV can slide over the bracket.

**Choose suitable hardware**

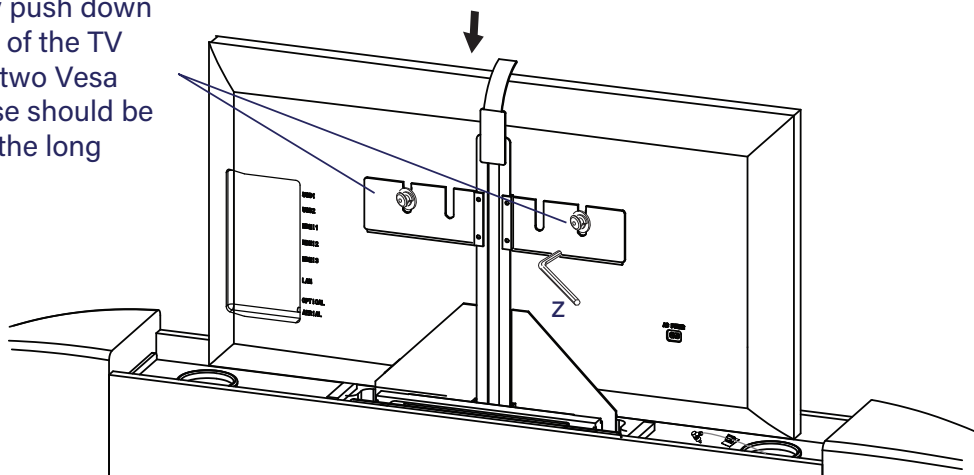
- y Bolt sets (M8 x 25mm) 
- Countersunk screw sets (M6x12mm) 
- Countersunk screw sets (M4x12mm) 
- z Allen Key (4mm) 
- Allen Key (2.5mm) 



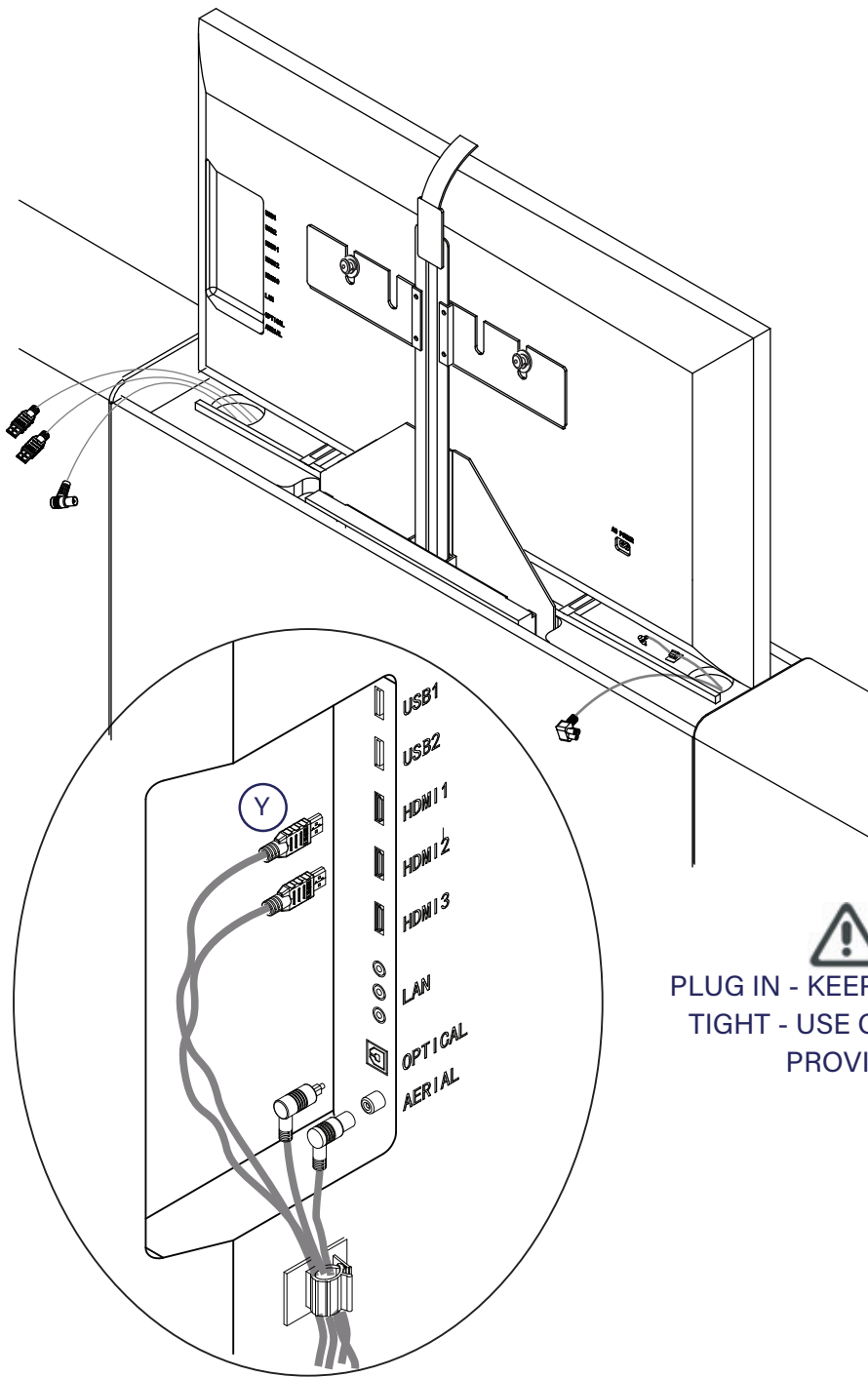
- ii) Stand TV vertically in position. Each slider (o) should be set to just touch the front bezel. To make sliding each support easier, lift respective end of the TV a small amount.



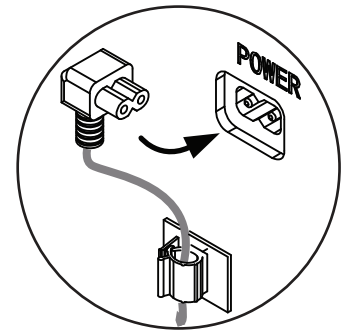
- iii) Once set, lightly push down on top of centre of the TV and tighten the two Vesa bolts 100%, these should be in the centre of the long holes as shown.



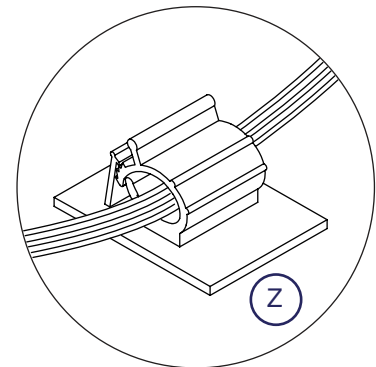
**14** Note: For illustration purposes only, connections to the TV may vary.



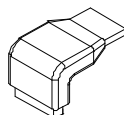
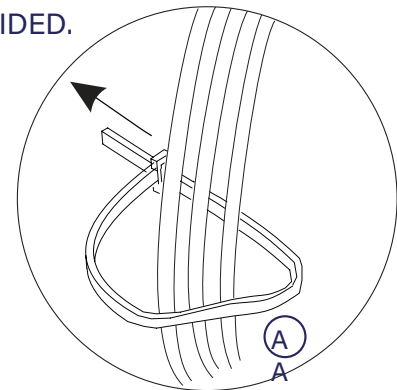
TV Power Lead supplied with the TV



Keep wires tight - peel off cover and adhere clips to back of the TV



**PLUG IN - KEEP ALL CABLES TIGHT - USE CLIPS & TIES PROVIDED.**

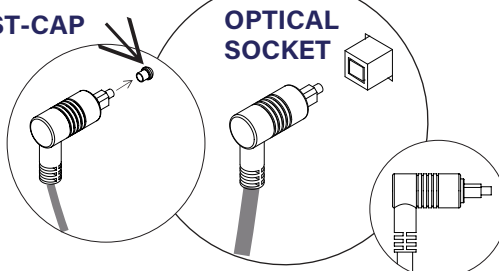


When the HDMI socket is on the back of the TV, this 90° adapter (AF) must be used or cable may be damaged by the TV compartment lid.



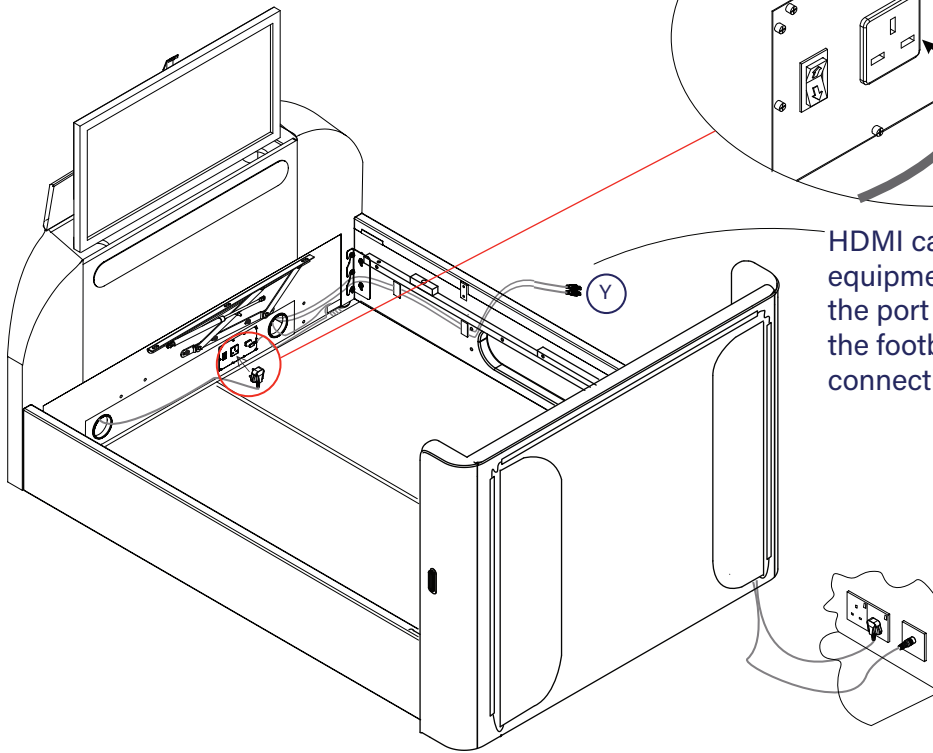
**Optical connection detail..**

**REMOVE DUST-CAP**

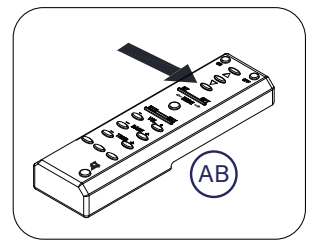


## 15 Connect power to the television.

This three pin socket is not continuously live so only use to connect the power lead supplied with the TV.

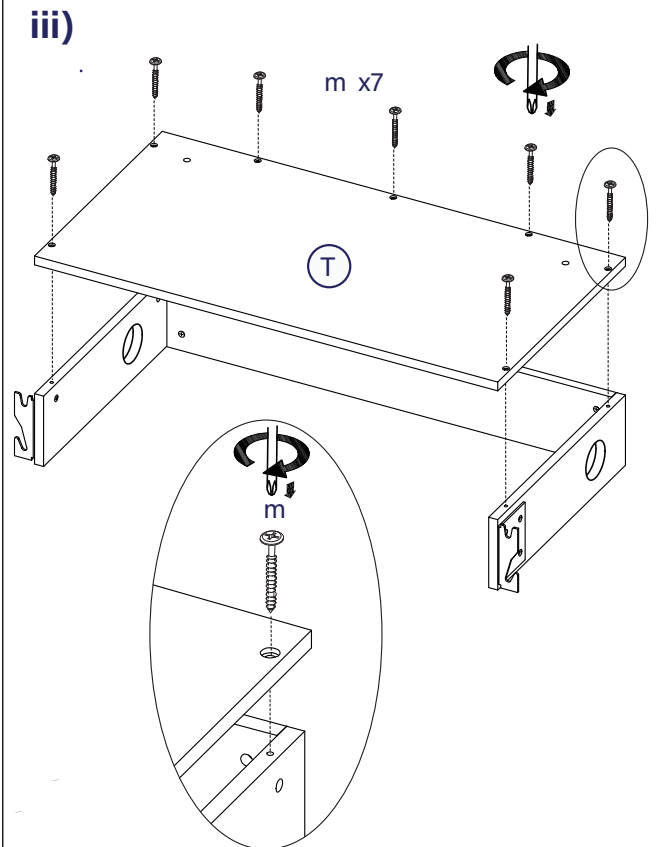
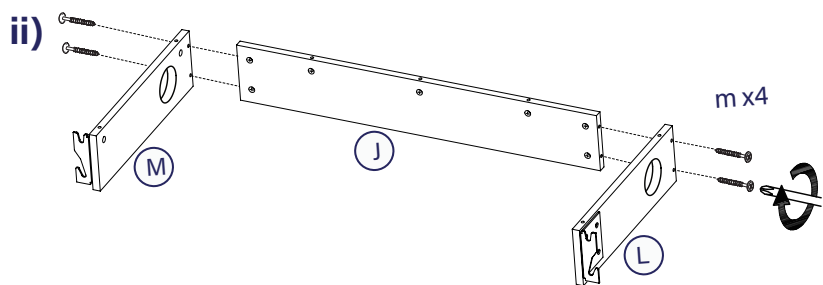
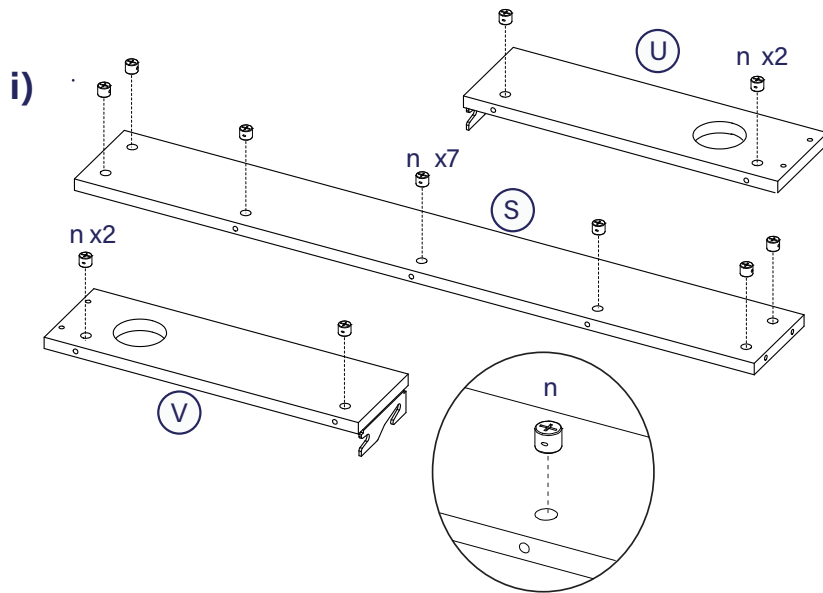


HDMI cables for media equipment, pass cables down the port on left or right side of the footboard that best suits the connections on the television.



Press the "DOWN" button to lower the TV lift

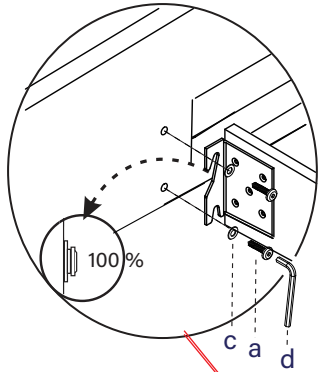
## 16 Assemble the media tray.



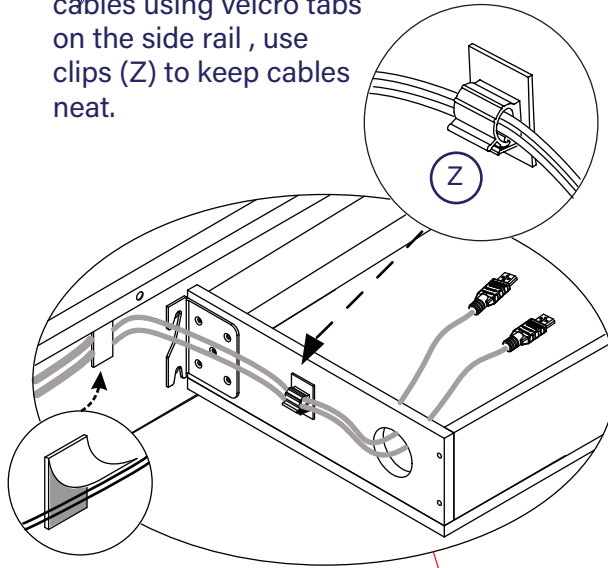
## 17 Fit the media tray.



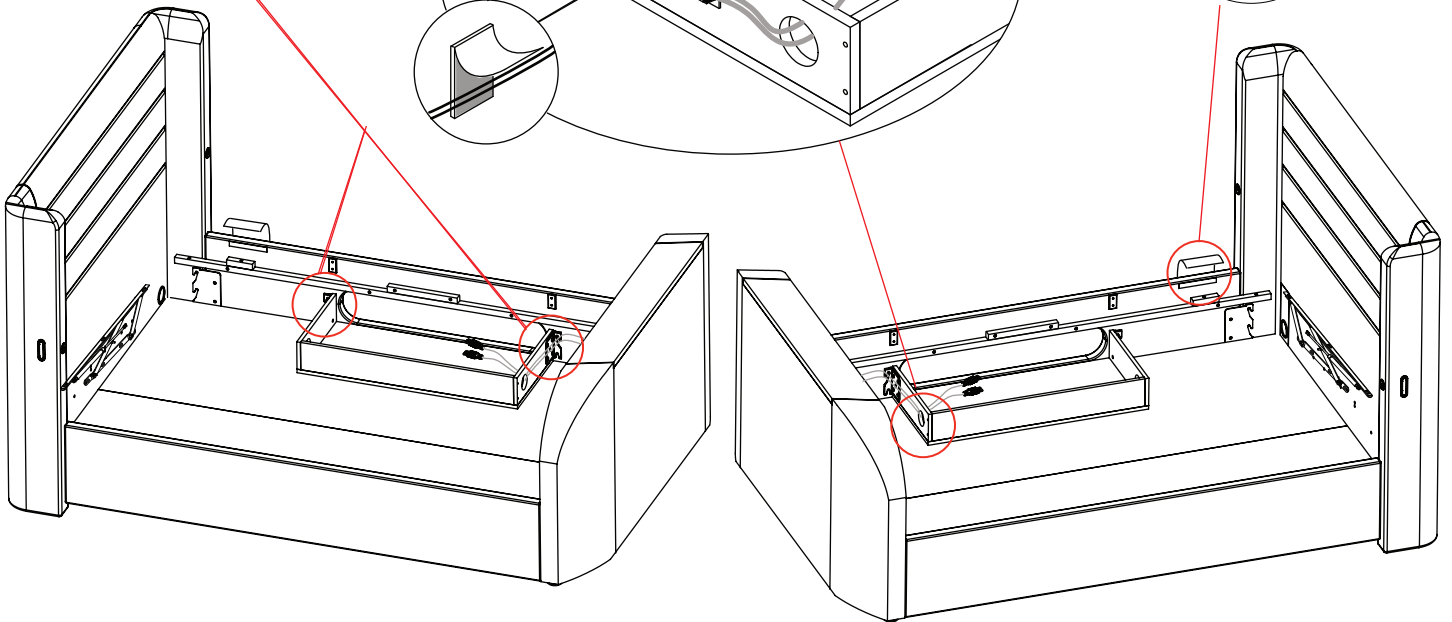
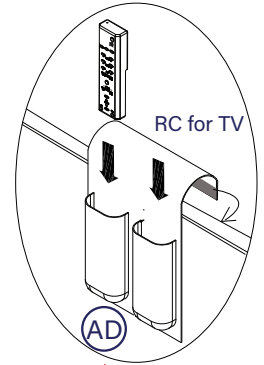
i) Fix tray in position.



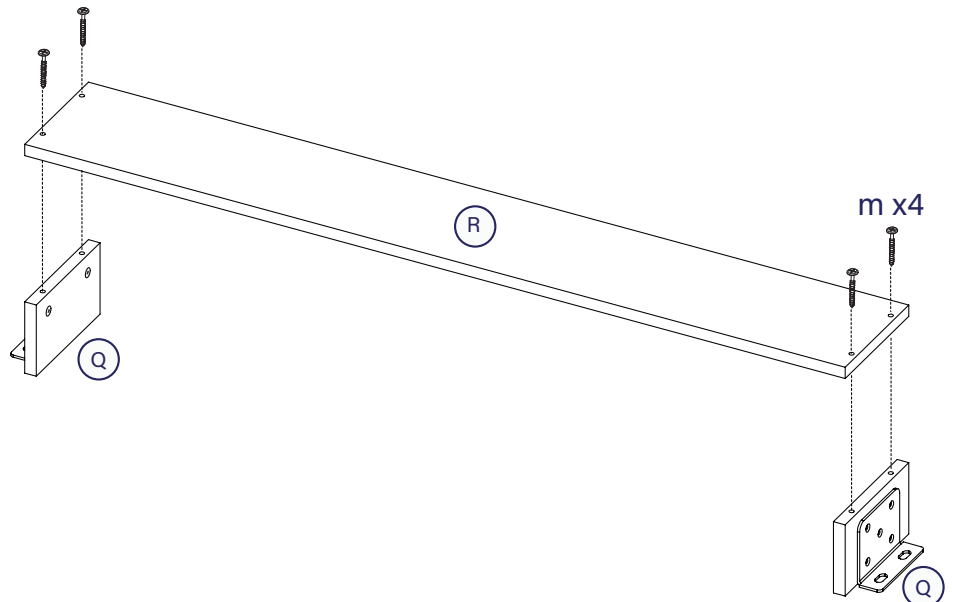
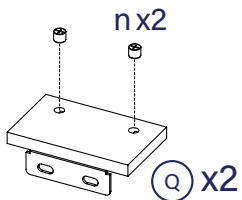
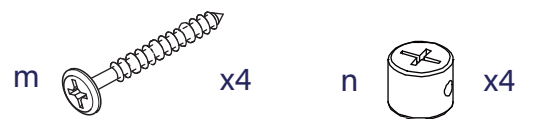
ii) Install the HDMI cables using velcro tabs on the side rail, use clips (Z) to keep cables neat.



iii) Fix RC holster to left or right side as required

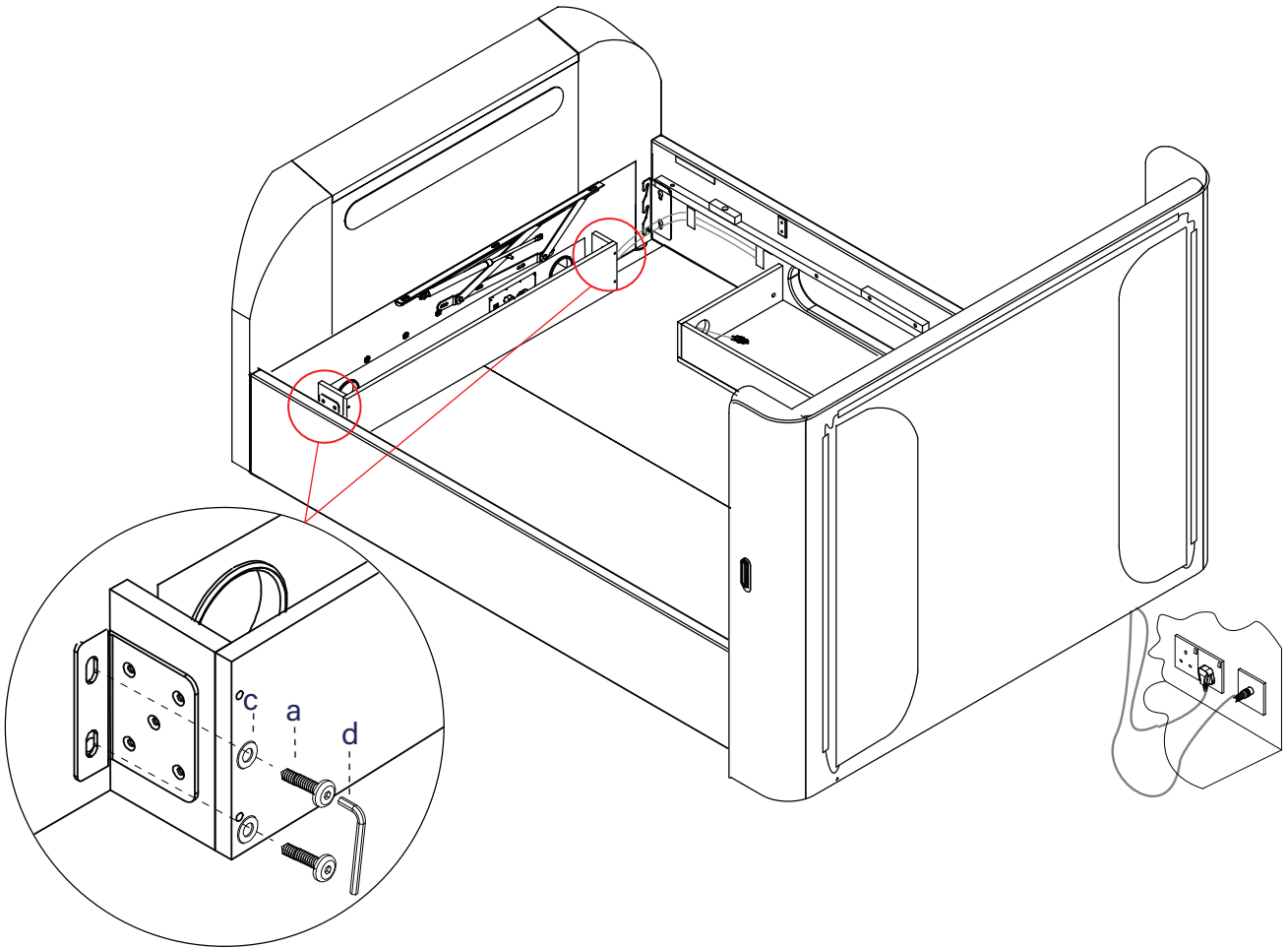


## 18 Assemble the cable guard.



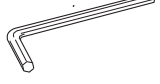

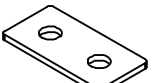


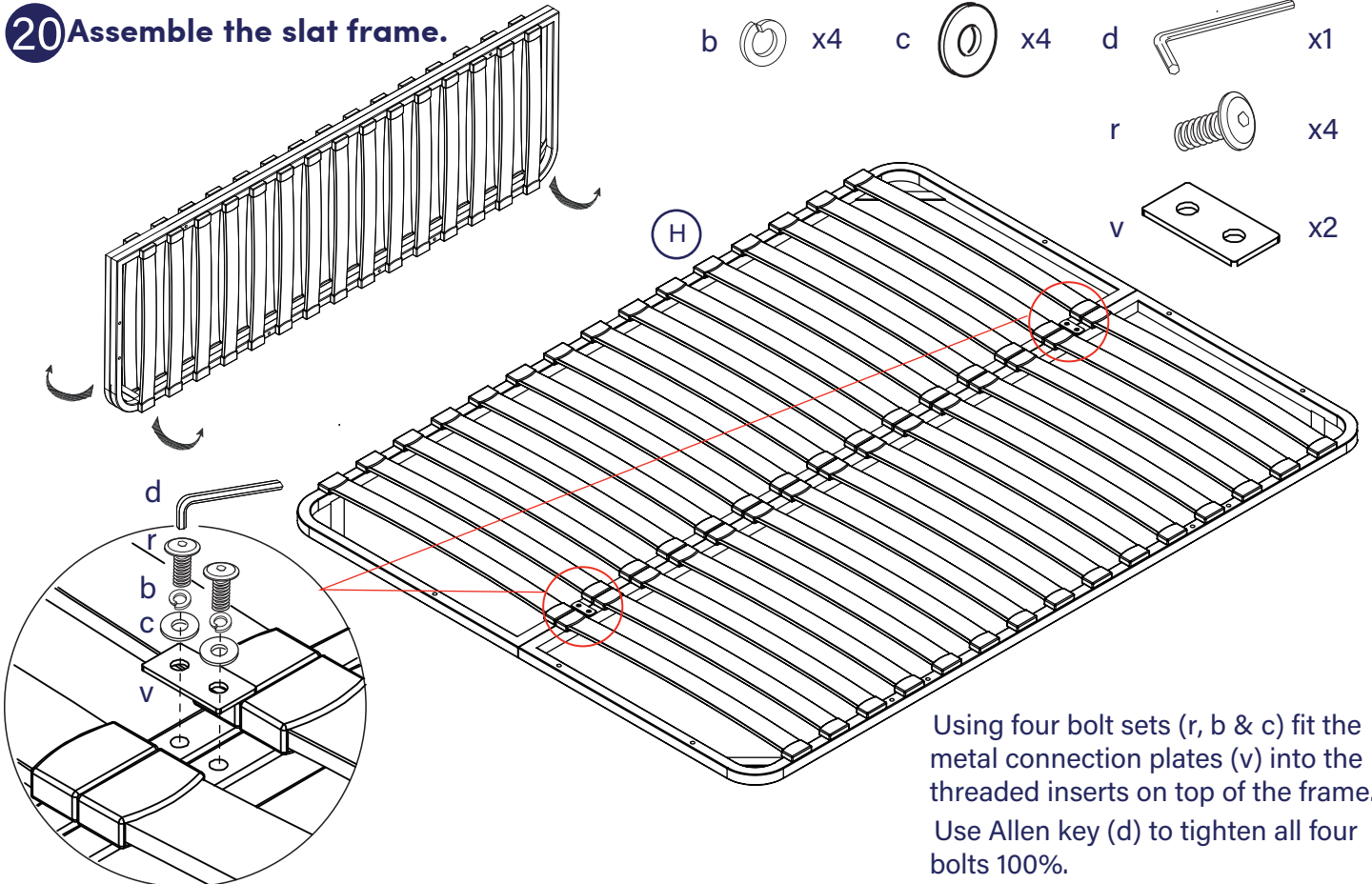
## 19 Install the cable guard.

a  x4    c  x4    d  x1



## 20 Assemble the slat frame.

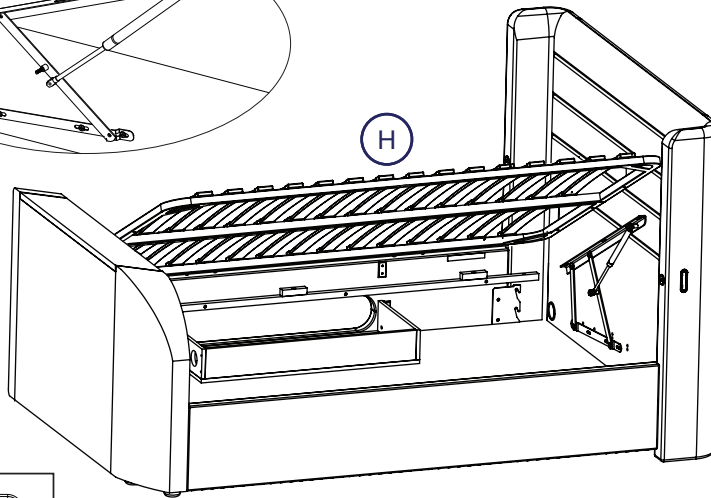
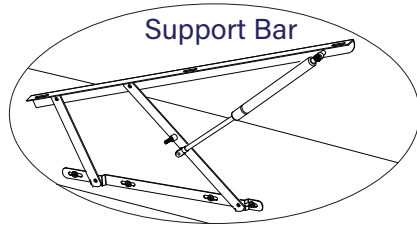
b  x4    c  x4    d  x1  
r  x4  
v  x2



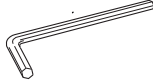
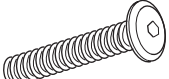
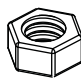



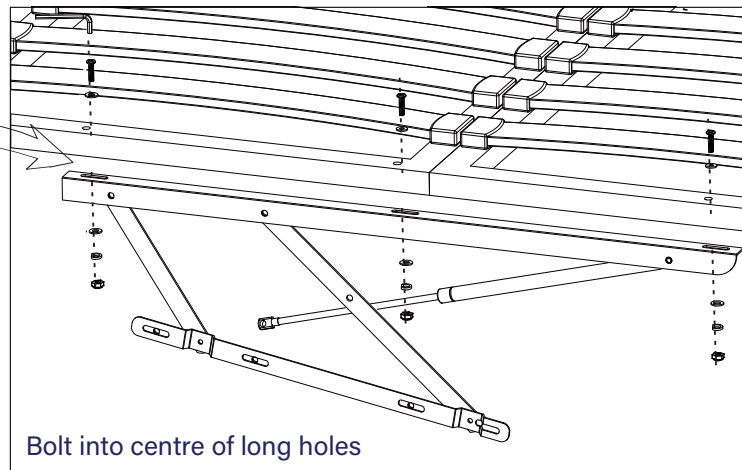
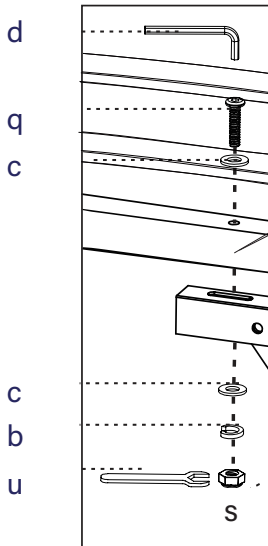
Using four bolt sets (r, b & c) fit the metal connection plates (v) into the threaded inserts on top of the frame. Use Allen key (d) to tighten all four bolts 100%.

## 21 Lift up the two the support bars then fit the slat frame.

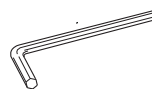
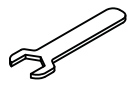
- i) Using three bolt sets each end (q, c, c, b & s) fit the metal slat frame to the support bars. Please do not tighten any bolts just yet.

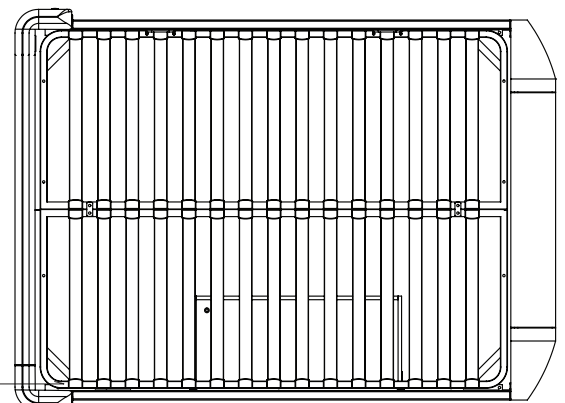
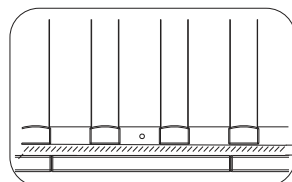
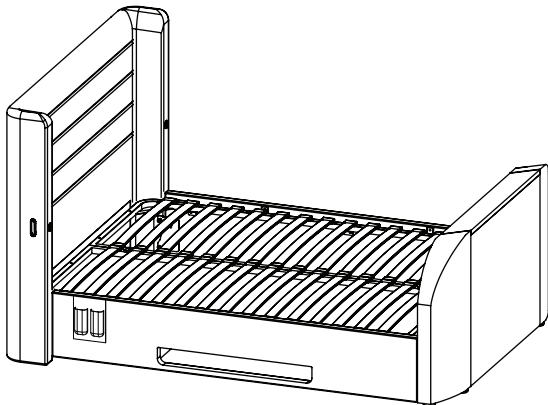


- b  x6
- c  x12
- d  x1
- q  x6
- s  x6
- u  x1



- ii) Carefully lay frame down. Make sure there is an even gap each side of about 8mm, as in the sketch below right.

- d  x1
- u  x1

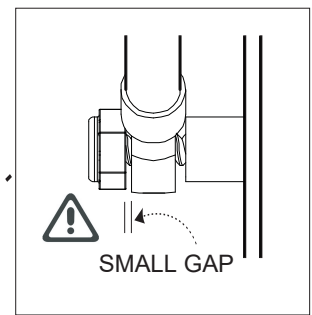
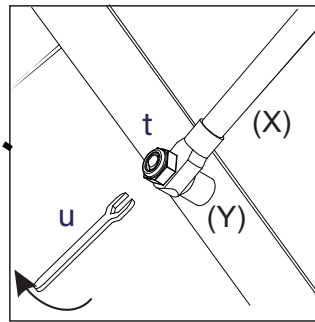
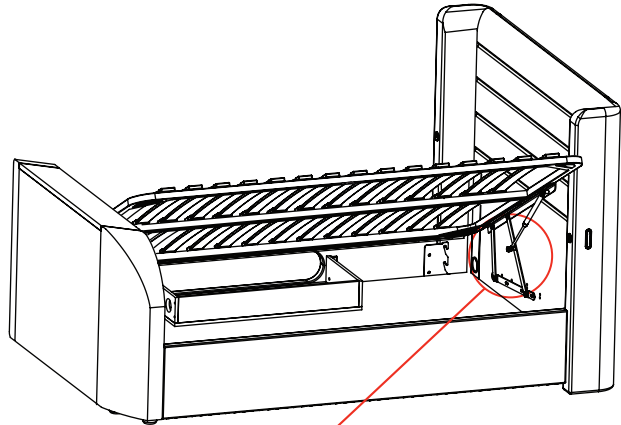
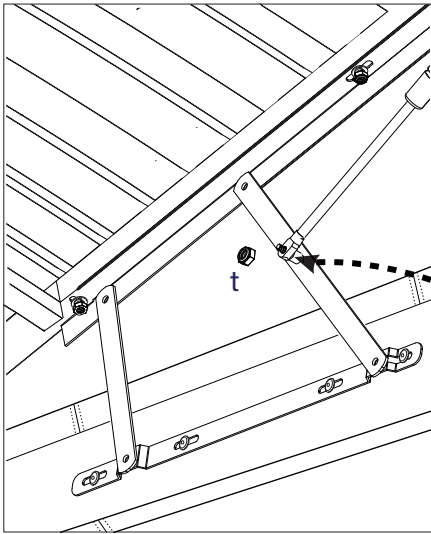


- iii) Hold frame firmly then tighten all six bolt sets 100% using spanner (u) & Allen key (d).

## 22 Fit the gas-lift pistons to the mechanisms.

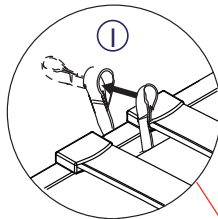


- i) During this next step, the assistant should lift up and hold the slat frame so access is easier. Slide the gas-lift piston stems (X) onto the axles (Y) then fit the flange lock-nuts (t).
- ii) Tighten nuts with spanner (u) - but **DO NOT** over-tighten, a small gap needs to be left so stems can move freely - this is important - please see sketch, below right.

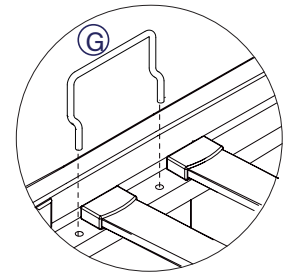


## 23 Fit the accessories.

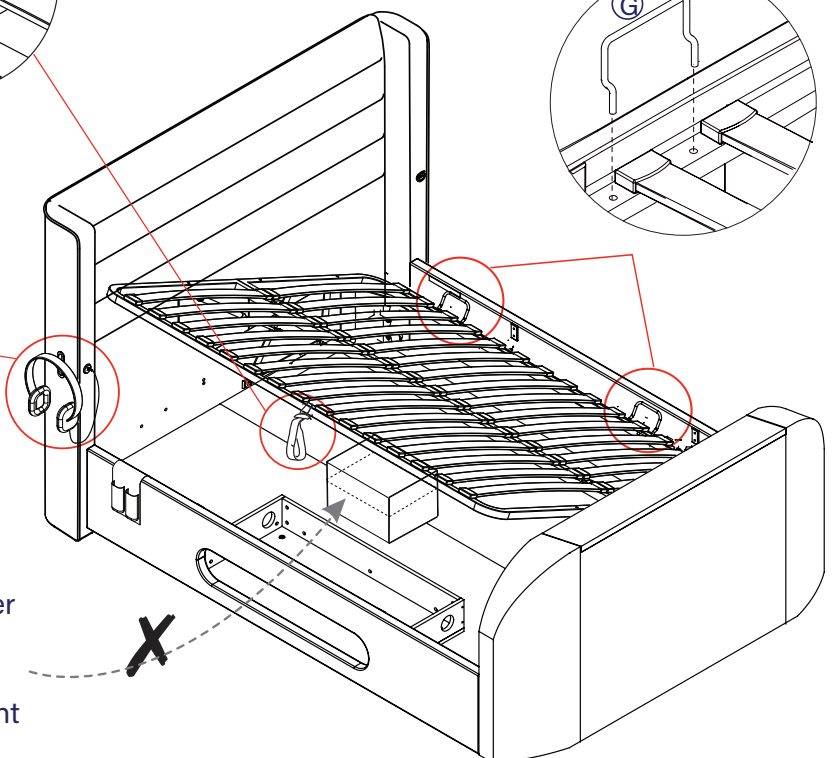
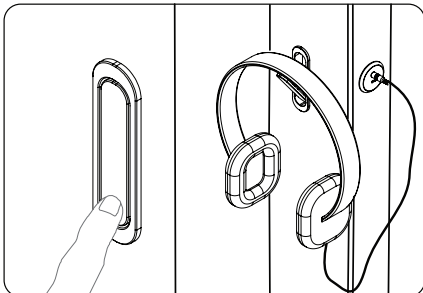
- i) Fit the fabric hand strap to the centre of the metal frame



- ii) Fit the mattress stoppers



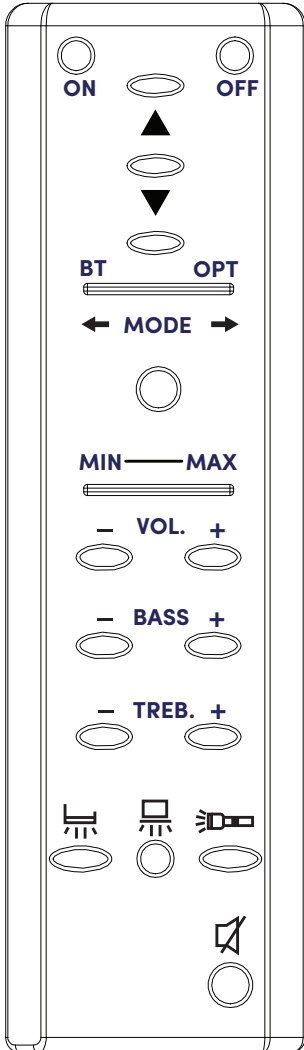
- iii) Hang your headphones



Note: Be very careful what you store under the bed -the top of an item, like a suitcase or a box, must not touch the slats or they may be damaged. Maximum storage height is 170mm.

# AUDIO OPERATION GUIDE

## DRIFT TV BED 2.1 STEREO SYSTEM



### TURN AMPLIFIER ON or OFF.



- 1) Turn on the mains power to the TV Bed.
- 2) Press the Remote Control (RC) ON button for 2 seconds to synchronise and prepare the system, system voice shall say 'Power On'.
- 3) When finished press the OFF button for 2 seconds.

### LIFT or LOWER THE TV.



Press once and TV will rise to it's upper working position. Power to the TV will be connected automatically - operate the TV using it's Operation Guide.

Press once and TV Lift will stop.

Press once and TV will go down - as soon as the lower resting position is reached, power to the TV is switched off to prevent it overheating.

**NOTE: BLUETOOTH WILL WORK NORMALLY WHEN TV IS UP OR DOWN.**

### SELECT OPTICAL or BLUETOOTH MODE.



Select the required mode by pressing OPT (Optical) to watch TV or

Select BT (Bluetooth) to connect to your smart device to play music.

Pair your device in the normal way searching for -- 'MY BT' --.

Two devices can pair with the system but each will need to disconnect to allow the other to connect.

If a device was previously connected, system will immediately say PAIRED. If not previously connected, system shall say PAIRING.

Note you cannot play films through the system from any BT device.



The same blue LED light bar is used to show steps for all the following controls: VOLUME, BASS & TREBLE.

### VOLUME CONTROL



Use --- + or - --- button to increase or decrease the volume.

Note that this control operates step by step and as it is adjusted, the blue LED light bar follows each step until full volume is reached, then the blue lights are all on.

### BASS CONTROL



Adjust the Bass attenuation - these buttons increase or decrease the lower frequencies of the sound.

### TREBLE CONTROL



Adjust the Treble attenuation - these buttons increase or decrease the higher frequencies of the sound until the preferred sound level is achieved. Note: if higher frequency sound is reduced, the volume of the sound appears to be reduced too - this is normal.

### LED Lights



Switch on or off the LED arrays on rear of head end and under-the bed.



Switch on or off the LED platform light under the television.



This button operates the torch.



### MUTE BUTTON



This button turns the sound off and back on again .

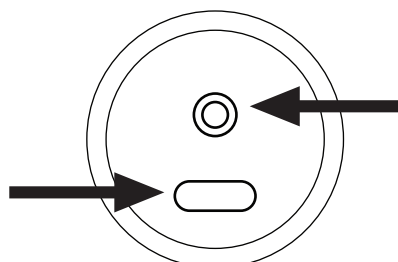
### MODULE FITTED TO EACH HEAD END WING

#### TYPE-C CHARGING SOCKET

PUSH A TYPE-C PLUG INTO THIS SOCKET TO CHARGE ANY SUITABLE DEVICE

TOTAL POWER IS 5V 2.1A.

NOTE THIS USB IS FOR CHARGING ONLY, IT CANNOT PLAY MUSIC OR VIDEOS THROUGH THE SYSTEM.



#### HEADPHONE SOCKET

PLUG A 3.5mm HEAD-PHONE JACKPLUG INTO THIS SOCKET AND SOUND FROM MAIN SPEAKERS IS CUT OFF.



### Overall Dimensions (LWH mm)

Small Double: 2265 x 1405 x 1320  
Double: 2265 x 1555 x 1320  
King: 2365 x 1705 x 1320

### Internal Dimensions (LWH mm)

Small Double: 1930 x 1230 x 170  
Double: 1930 x 1380 x 170  
King: 2030 x 1530 x 170

### Media Tray Dims (WDH mm)

885 x 398 x 133

### Distance between slats

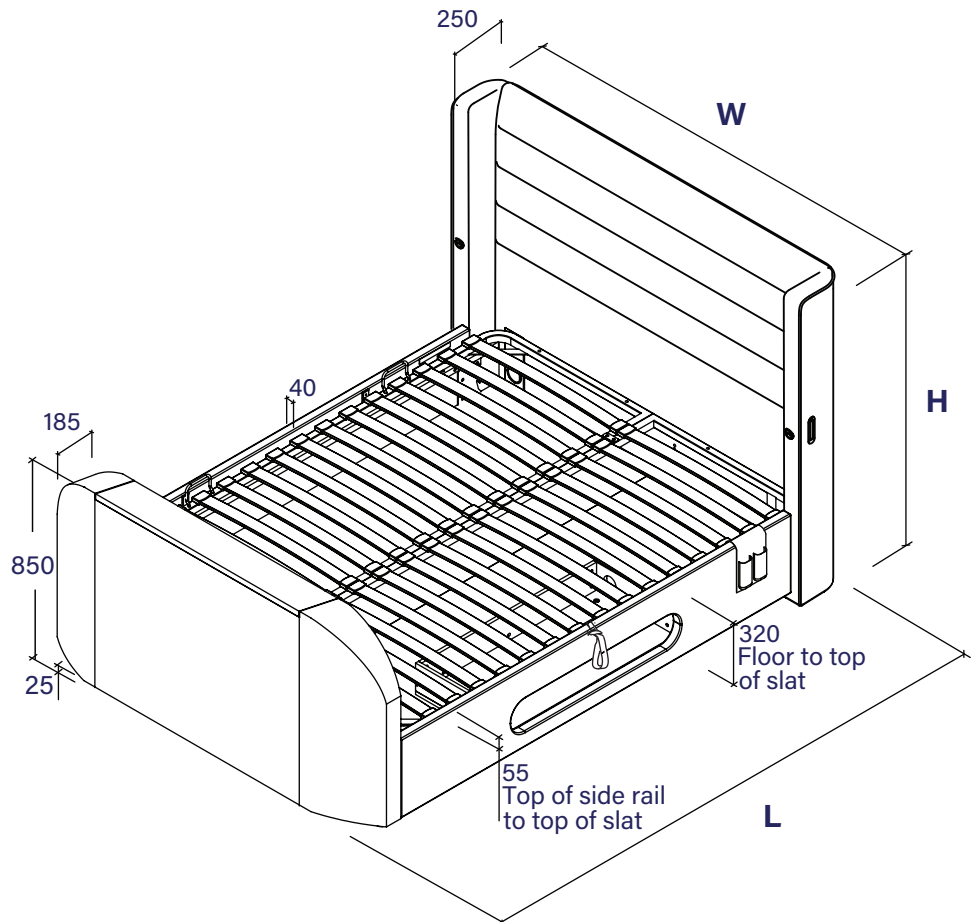
70mm

### Ottoman Piston Rating

Small Double: 600N  
Double & King: 750N

### Slat Dimensions (LWH mm)

Small Double: 595 x 53 x 9  
Double: 670 x 53 x 9  
King: 745 x 53 x 9



## Care and maintenance

Here are some tips to keep your new bed in tip-top condition



### Cleaning

To clean your new bed, we'd advise using a warm damp cloth or if fabric, remove dust using a low suction vacuum cleaner. Please do not use abrasive chemicals or bleach as this may damage the product.



### Checking and moving

Periodically we recommend you check that the screws or fixtures haven't become loose over time. To move your new bed, we recommend lifting it where possible, as dragging or pushing it could cause damage to the legs or flooring.



### Wood

Please note each of our wooden pieces are unique, meaning that markings and shade can vary slightly between beds. Over a period of time, the wood might lighten or fade slightly due to light exposure.



### Fabric

Please note depending on the lighting, positioning and surroundings of your room, the shade of the colour can sometimes appear slightly different. Over a period of time, the colour might lighten or fade slightly due to light exposure.



### Metal

Metal tends to be more resilient to everyday wear and tear. We recommend to gently dust your metal furniture and keep it dry to maintain its look.

**Thank you for shopping with us - we hope you have a great night's sleep.**

*Sleep well*

# TV BED SAFETY INFORMATION

## GENERAL INFORMATION

It is very important not to place any vessel containing liquids, e.g. drinks or vase of flowers, on top of the TV footboard which may accidentally spill and enter the TV compartment as this could cause damage to the TV and/or the TV lifting equipment. If this happens, please contact Customer Services - ring 0800 652 6750.

For customers based in Northern Ireland, please call 028 9050 8300.

Do not expose the bed to an undue level of heat - keep away from radiators.

Never allow anyone to sit on the foot end of the bed - keep children well away from moving parts.

To keep the bed clean, we recommend that it be wiped over with a slightly dampened cloth or if fabric use a light vacuum cleaner; disconnect power before cleaning.

Supplied with the TV bed is a remote control to operate the TV Lift and a remote control to operate the Television.

Both these remotes use batteries, there are strict controls for disposal of batteries - your local council can advise on how to safely dispose of them. Never burn batteries on an open fire as they could explode.

## IMPORTANT POWER INFORMATION

It is essential that the Mains Power Lead is connected to an earthed socket be it a wall socket or extension lead - otherwise there is risk of damage or even electric-shock.

The socket providing the power must be accessible at all times in case one needs to switch off the supply quickly.

During an electrical or lightening storm - disconnect the power completely as a precaution.

Always un-plug the power when going on holiday or when the bed is not used for an extended period.

If you have young children in the home always disconnect the power at the wall socket for extra safety.

Power outlets, extension leads or adapters must not be overloaded beyond their limit - this can result in fire or electric shock.

Leads or leads supplied with this bed, or other approved mains powered extension leads used to power your own equipment, must not be placed where they can be walked on - this is dangerous and could lead to accidents.

Do not interfere with or modify any leads already fitted and do not add any extra media leads unless they are routed through the ducts as shown.

All leads must be tightly connected to back of TV using cable clips provided, never hanging loose.

Never touch moving parts or any part of the equipment - if something needs to be checked, disconnect the power first.

Do not insert anything into the footboard as this could seriously damage the TV and/or the TV lifting equipment and could, if done carelessly, cause serious damage or injury.

If the equipment doesn't operate normally or if there is an unusual noise, disconnect the power & contact Customer Services.

## TELEVISION INSTALLATION

Please follow the television installation instructions below.

Raise the TV Lift by pressing the up button of the remote control.

Connect the Aerial & standard HDMI leads by passing down the appropriate duct to suit connections on back of the TV.

Connect the TV to the mounting bracket as appropriate taking care to follow the instructions.

If necessary mounting bracket can easily be adjusted up or down to align with upper fixing holes on rear of TV.

Connect the TV Power Lead by passing the plug down one of the ducts, plugging it into an adapter if supplied, then into the TV power socket which is on the face of footboard. This socket is only to be used for the TV as for safety reasons, the power supply to it is not constant.

If required, connect your own media leads through either of the ducts - connect your media equipment when ready.

Please use the cable clips & cable ties to make certain there are no wires hanging loose that might get snagged or trapped.

The TV can now be operated following the TV User Guide supplied with your TV.

When finished viewing, lower the TV back into the footboard by pressing the down button of the remote control, the TV will retract into the footboard automatically - to prevent overheating, power shall be turned off when the TV reaches the lower rest position. When the up button is pressed - the TV Lifting Column rises and power to the TV turns back on automatically.

## TROUBLE SHOOTING

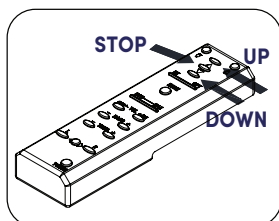
If your equipment does not operate please check all the power connections from wall to the socket in the footboard.

Make sure TV is switched on (Note: TV will only work when it is in the up position).

If you cannot resolve an issue or still have a problem or need help, please contact Customer Services for advice.

**IMPORTANT: Care should be taken when connecting electrical items. If you are in any doubt about the correct connections to your TV Bed, please consult an approved electrician.**

Occasionally you may find the radio wave connection between remote control and TV Lift is lost, probably due to atmospheric conditions. In that case please follow these simple instructions:

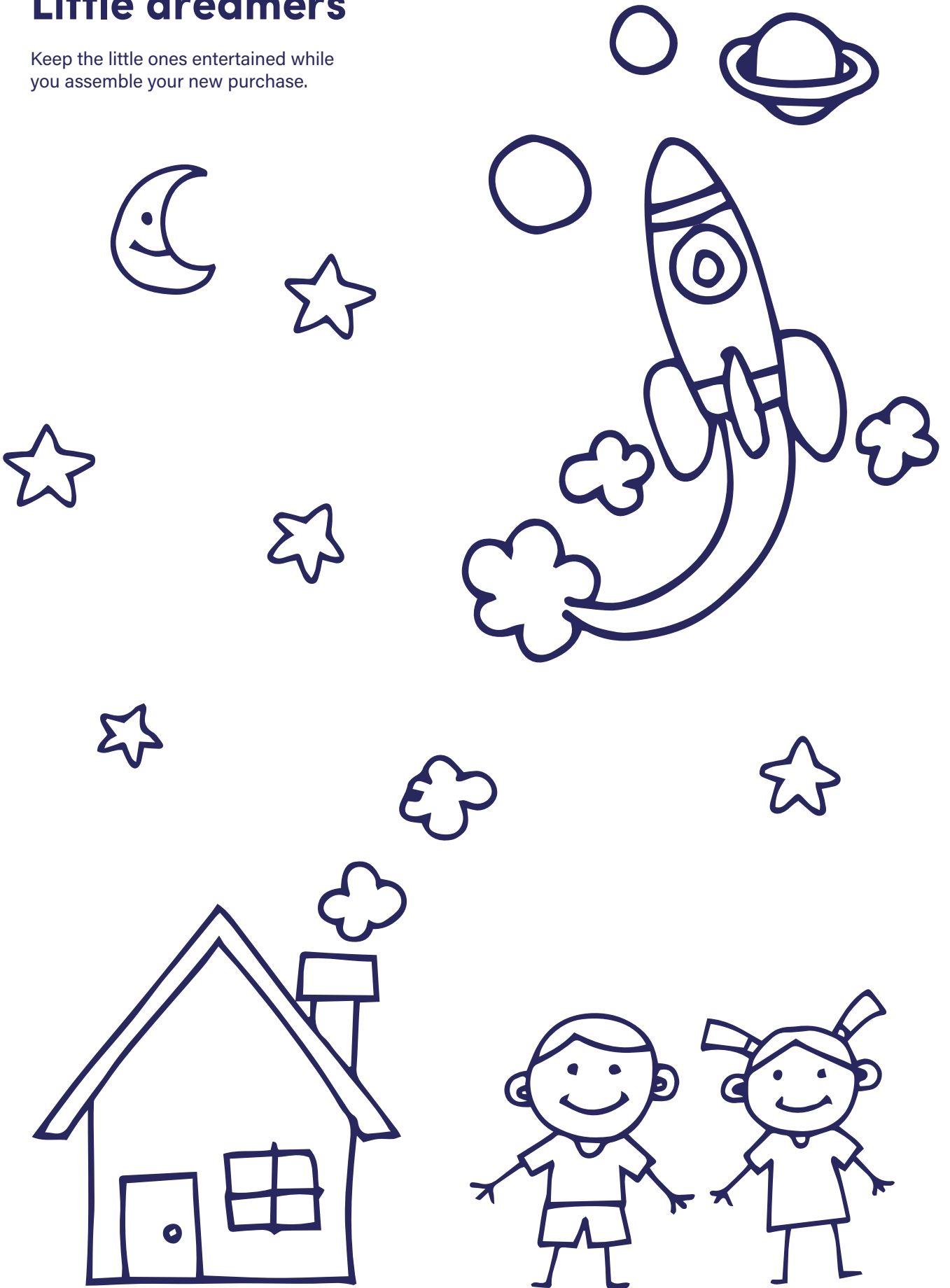


- ①. Disconnect all mains electric power to the bed, for at least 60 seconds.
- ②. Press either UP or DOWN Button on TV Lift Remote Control and keep holding button down, simultaneously re-connect mains electric power to bed keeping button down for at least a further 5 seconds. The TV Lift unit receives the signal from the Remote Control and TV lift will begin to move UP or DOWN whichever button was pressed.
- ③. Re-pairing is now complete.



# Little dreamers

Keep the little ones entertained while you assemble your new purchase.



**Dreams**

