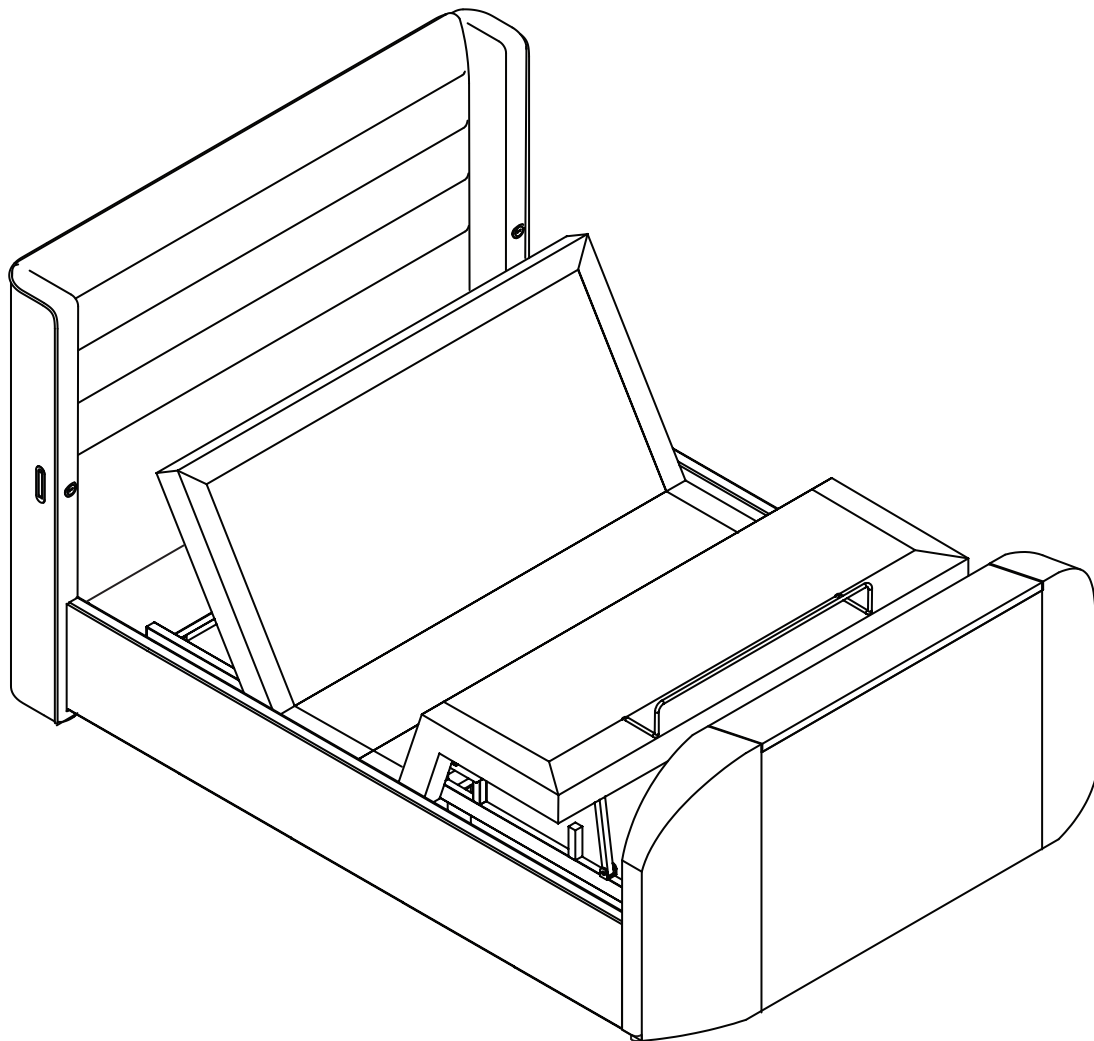


DRIFT TV BED

Sleepmotion Lifestyle Bed



1.5 hour approx
assembly time



Two person
assembly

Dreams

Thank you

Hello, thanks for choosing to purchase your bed from Dreams - you're now on your way to your best ever night's sleep. Before you begin building your bed, please take a moment to read through the instructions and make sure that you've got all the relevant parts listed on the following pages.



Assembly tips

Before you begin, it's best to identify all parts and fittings to build your bed. We advise laying these out on the floor to check you have everything, and familiarising yourself before building.



Top tip

We recommend that you build your new bed in the room you'd like it to be located - this will help prevent any risk of damage to your newly built bed whilst moving it.



Safety and care

It's really important to ensure children and animals are kept away from the assembly area, as there are small components used in this bed which could present a choking hazard. All plastic and wrapping materials should also be kept away from children and animals to prevent any risk of suffocation. To keep your little ones busy, there is a colouring page inside the back cover.



Help and support

At Dreams, it's our mission to give the whole nation a great night's sleep - this means that the quality of our products is of utmost importance to us. If there are any issues with your product or any missing parts, please contact our Help Centre on 0800 652 6750, where a member of our team will be happy to help. (For customers based in Northern Ireland, please call 028 9050 8300)



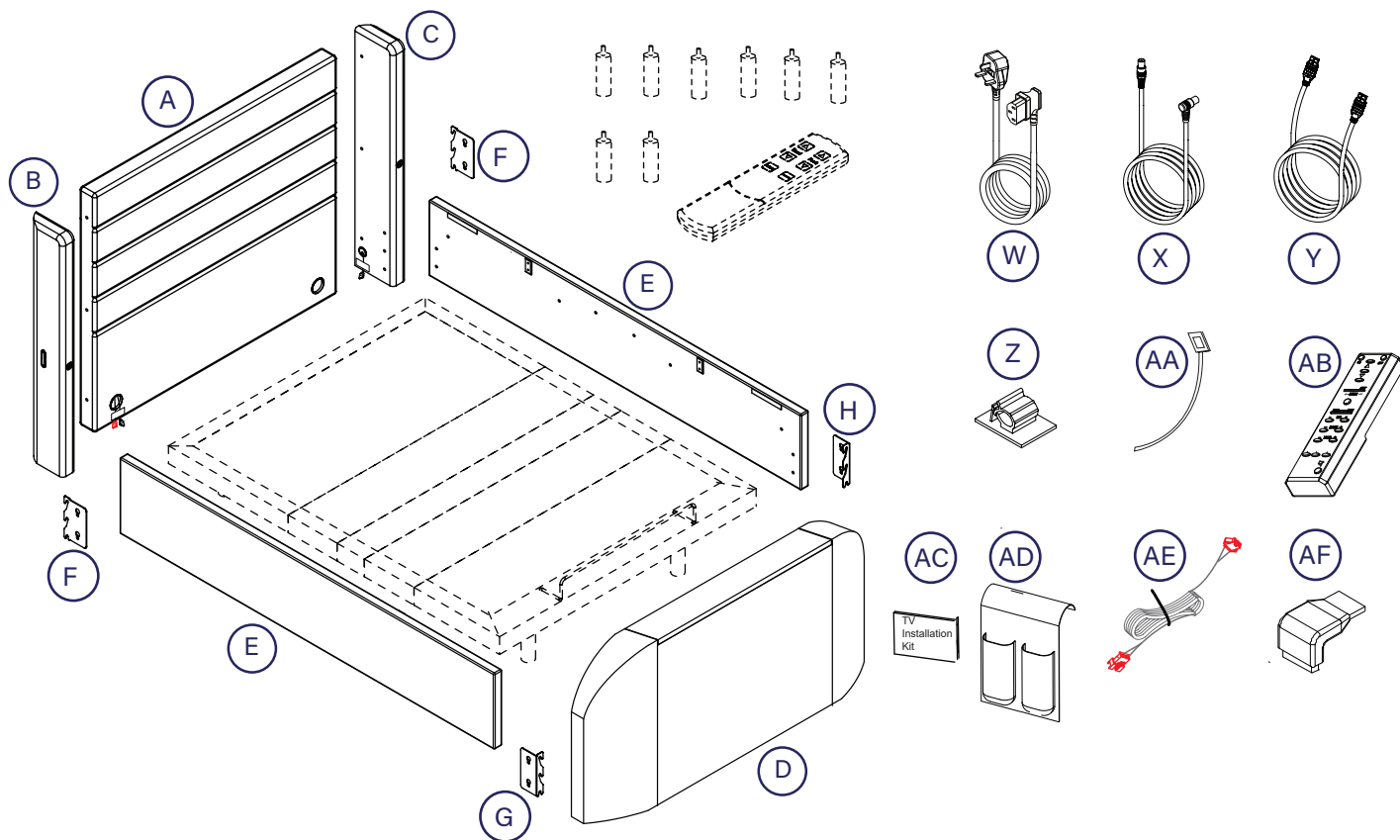
Recycling

Please ensure that packaging is disposed of in a safe and environmentally friendly way, and recycle where possible. Our assembly instructions are printed on recycled paper. Please keep your assembly instructions safe to refer back to in the future.

Parts

The bed you have purchased comes with a Sleepmotion 200i Lifestyle electric base.

Once the base is built, place it in the location where it shall be used then please follow the steps in this Assembly Instruction to build your bed-frame around the base disregarding the assembly guide packed inside Pack 3.



Parts list

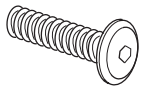


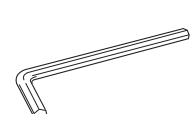
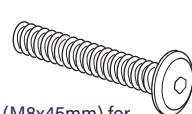
A.	Headboard	1	W.	Mains Power Lead - 3.5 mt	1
B.	LH Wing	1	X.	Aerial Lead - 4 mt	1
C.	RH Wing	1	Y.	HDMI Lead - 2.8 mt	2
D.	Footboard	1	Z.	Cable Clip	8
E.	Side Rails	2	AA.	Cable Tie	5
F.	Flat Hook Bracket - headend	2	AB	Audio_TV Lift Remote Control	1
G.	Angled Hook Bracket - footend LH	1	AC.	TV Installation Kit	1
H.	Angled Hook Bracket - footend RH	1	AD.	Remote Control Holster	1
			AE.	USB Connection Lead	1
			AF.	HDMI 90° Adapter	1

Packed inside
accessory box
in footboard
Pack (2).


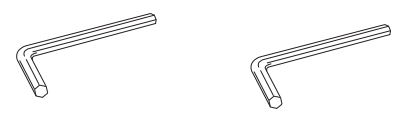
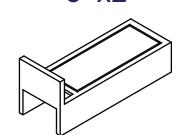
Fittings

Please check you have all the parts listed below with your product:

Hardware needed for fitting wings to headboard and fitting side rails to head & foot boards Packed in the accessory box in footboard Pack 2 - hardware Pack (A)

<p>a x20</p>  <p>Bolts (M8x30mm) for fitting side rails to headboard & footboard</p>	<p>b x26</p>  <p>Spring washer for M8 bolts</p>	<p>c x26</p>  <p>Flat washer for M8 bolts</p>	<p>d x1</p>  <p>Allen key for M8 bolt</p>	<p>j x6</p>  <p>Bolts (M8x45mm) for fitting wings (B&C) to main headboard (A)</p>
---	--	--	---	--

Hardware needed for installation of the TV is packed in the accessory box in footboard Pack 2

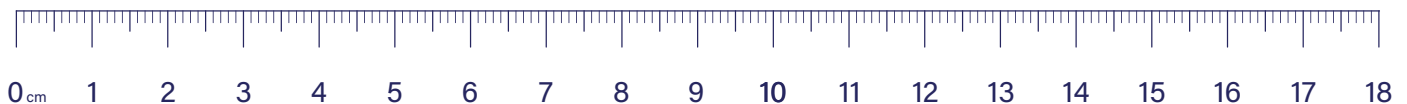
<p>(y) choose a pair of suitable bolt sets</p>  <p>Bolt sets M8 x 25mm Countersunk Screw sets (M6x12mm) Countersunk screw sets (M4x12mm)</p>	<p>(z) choose a suitable Allen key</p>  <p>Allen key (2.5mm) Allen key (4mm)</p>	<p>o x2</p>  <p>TV Support slide</p>
---	---	---

Tools required

Please check you have all these below



Tape measure



Important:

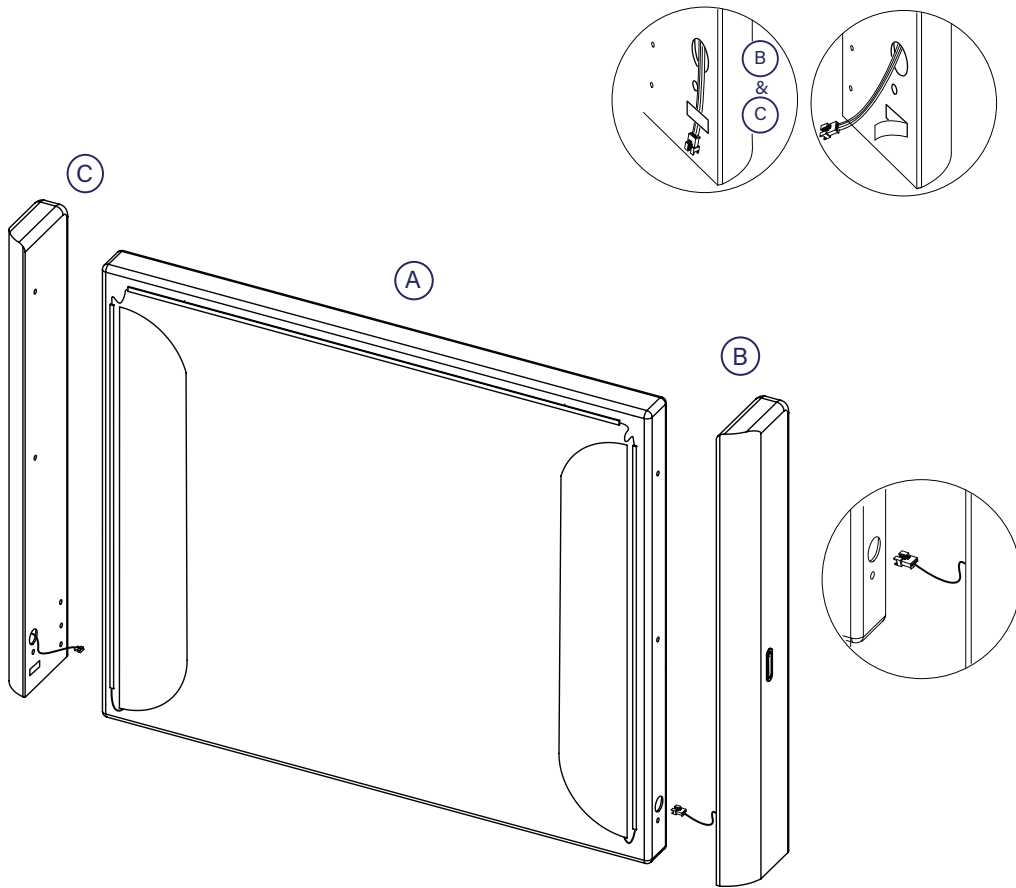
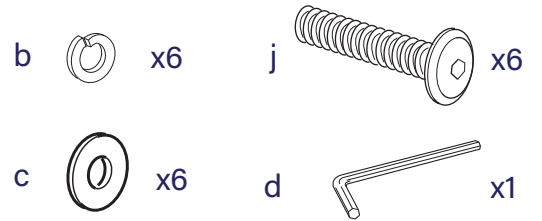


Before starting assembly please refer to the owners manual supplied with your sleepmotion 200i bed base and follow the instructions taking note of any safety precautions or operational safety requirements of the installation.

In the room where bed will be used, first prepare the bed base by fitting the eight long legs - 6" (15cm), see Step 4.

Connect the power and check the operation then step by step follow the bed assembly instructions below, to build the bedstead around the sleepmotion 200i bed base.

1 Fit the wings to the headboard.



i) Un-tie USB leads from bottom of the wings.

ii) Fit both wings, one at a time.
Put first wing close to the headboard.

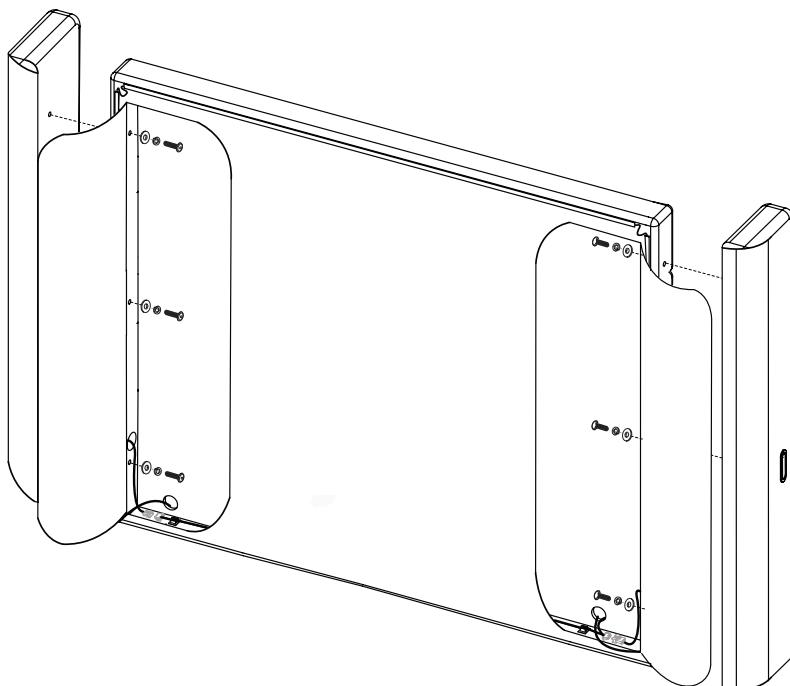
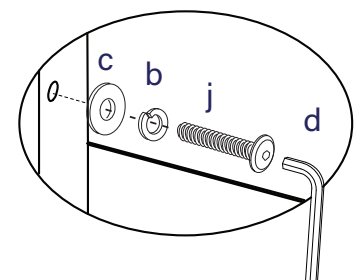
iii) Unzip both access compartments.

iv) Pass the USB lead through the hole in the bottom of the headboard making sure it is not trapped.

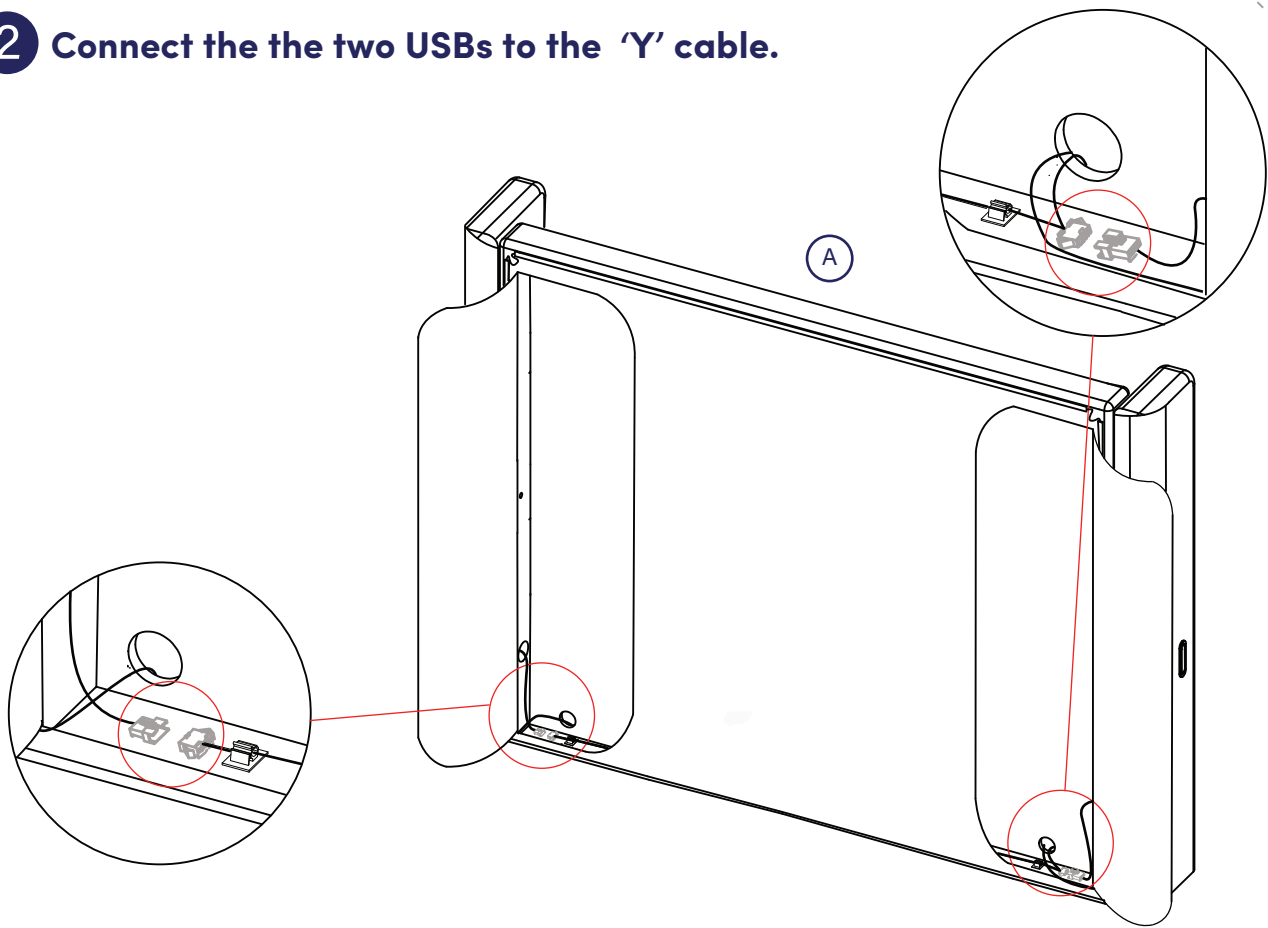
v) Tug through from inside HB but do not pull too hard. Align edges of the wing and headboard.

vi) Using three bolt sets (j, b & c), fit the wing to the headboard bolting into the three pre-tapped holes on inner side of each wing - tighten with Allen key (d). Repeat on the other side.

Use x3 bolt sets each side

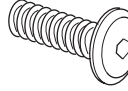




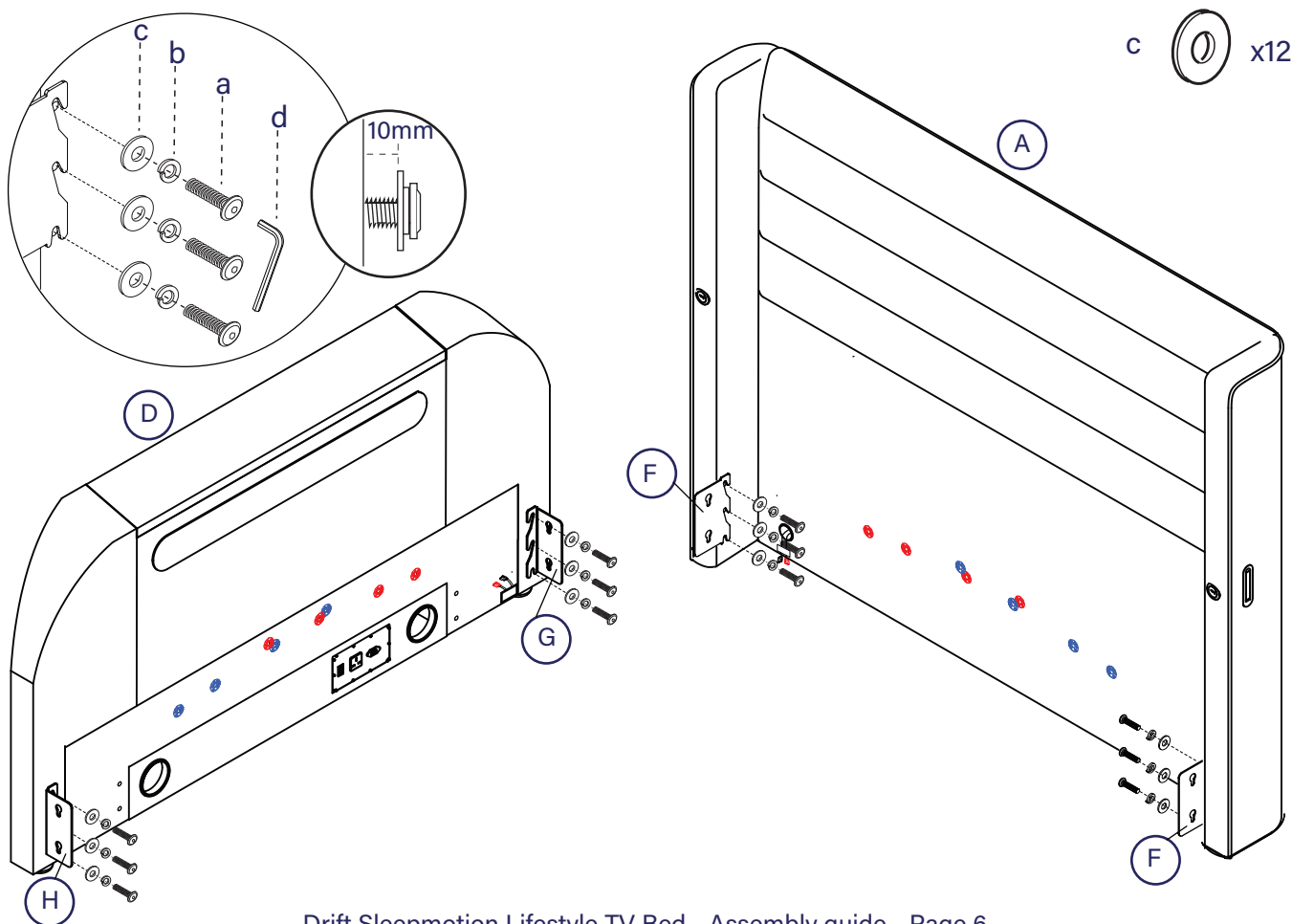
2 Connect the the two USBs to the 'Y' cable.



3 Bolt the brackets (F, G & H) to the headboard & footboard as shown.

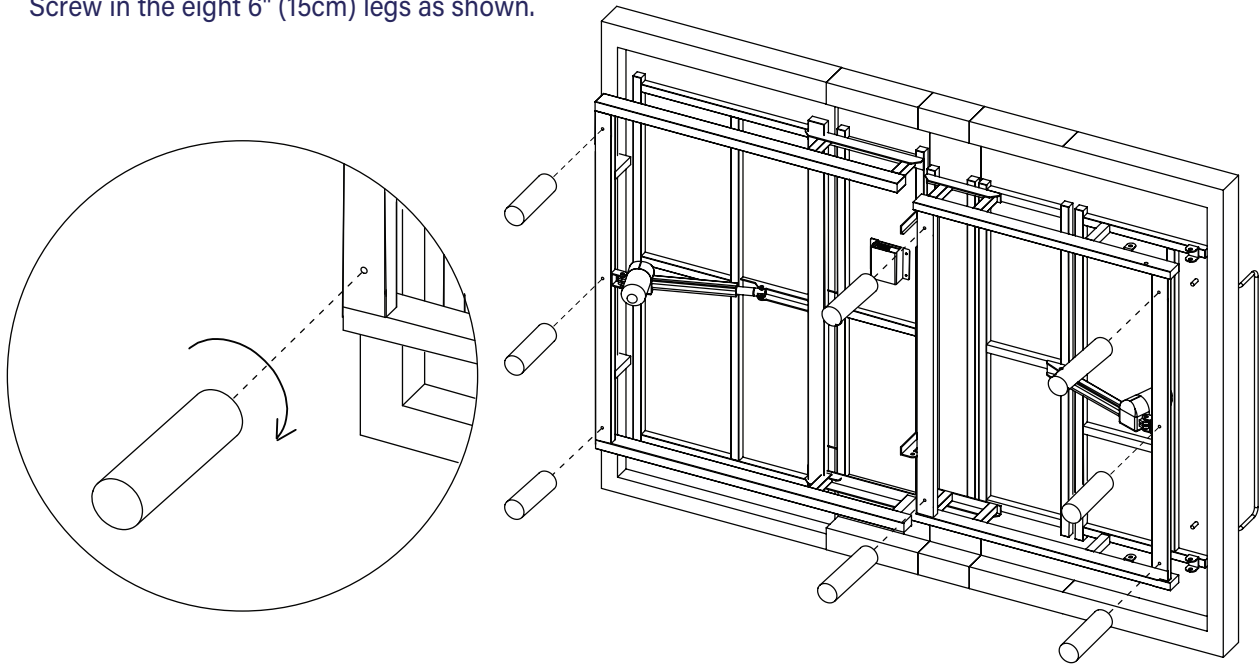
Fit the brackets using x12 bolt sets (a, b & c) tightening them 90%.

- a  x12
- b  x12
- c  x12



4 Assemble the bed frame around the bed base.

Screw in the eight 6" (15cm) legs as shown.



5 Position the bed base.

Place the headboard in the location in which it shall be used and attach the right hand side rail using hardware from pack (A). Making sure the bed base is correct way round, with mattress stopper at the foot end. Carefully lift and place bed base into the corner between headboard and side rail as shown - it is heavy so please get help. Leave an even gap around the perimeter, see sketch below right.

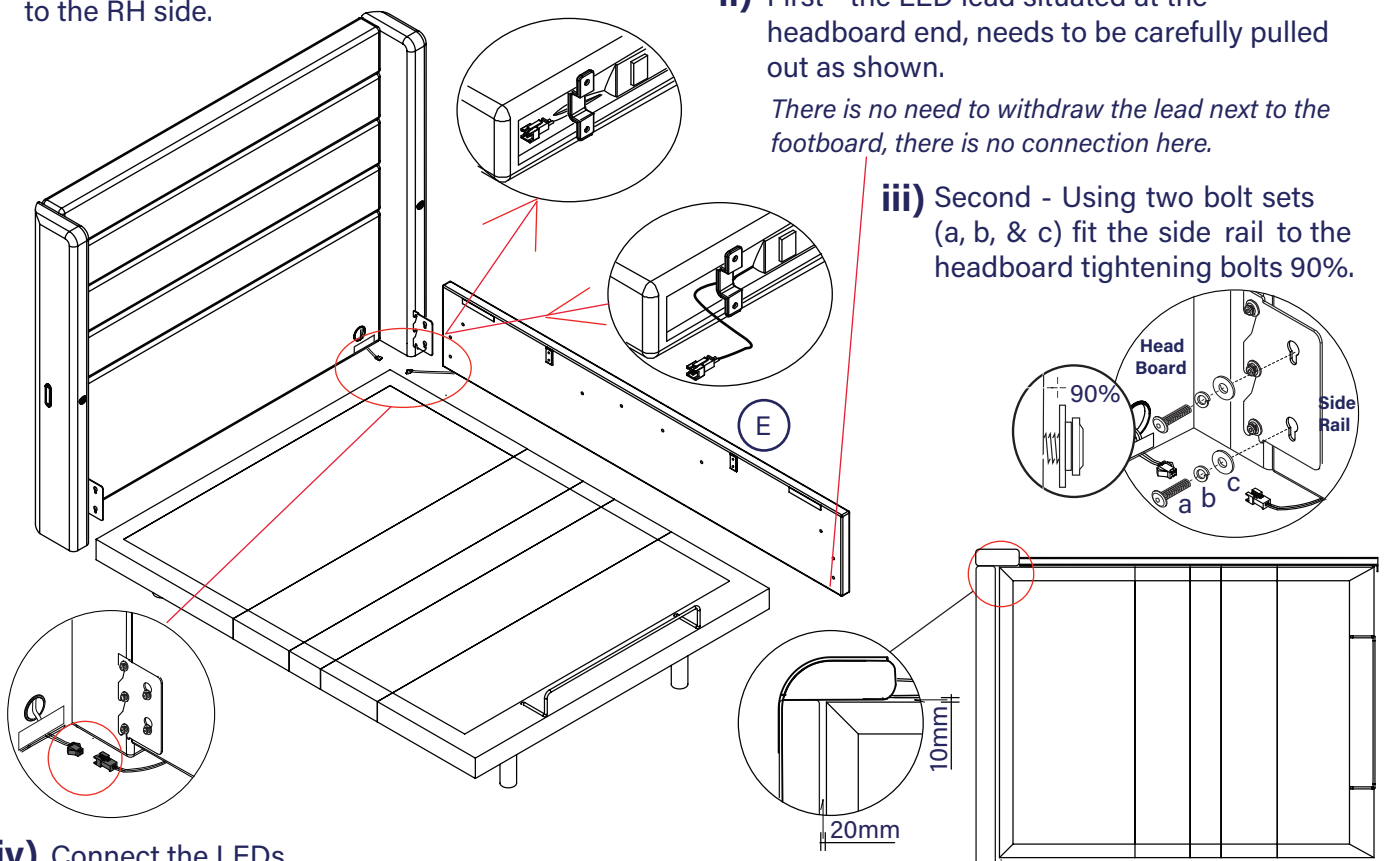
i) Stand headboard close to it's final location then get ready to fit a side rail to the RH side.



ii) First - the LED lead situated at the headboard end, needs to be carefully pulled out as shown.

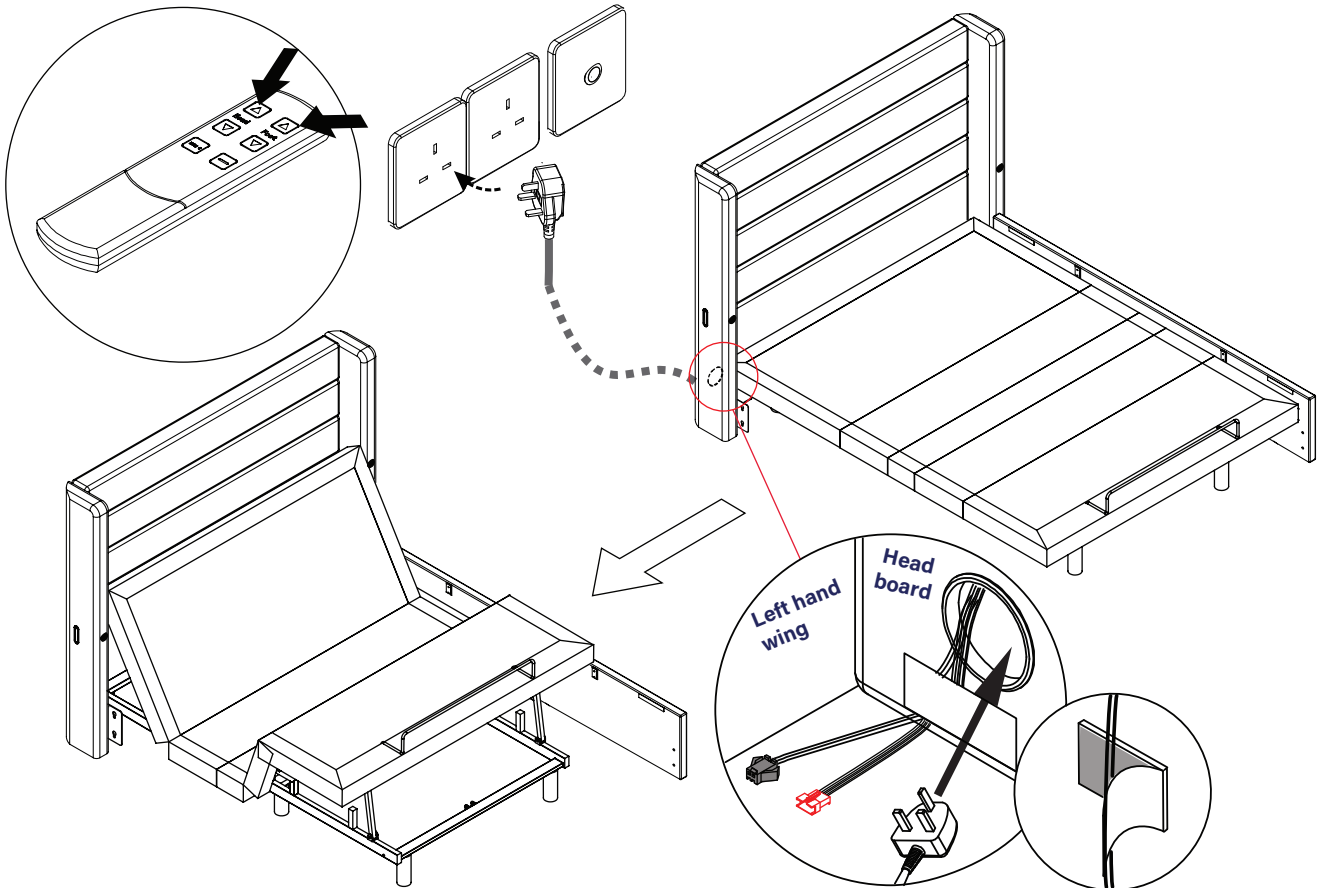
There is no need to withdraw the lead next to the footboard, there is no connection here.

iii) Second - Using two bolt sets (a, b, & c) fit the side rail to the headboard tightening bolts 90%.

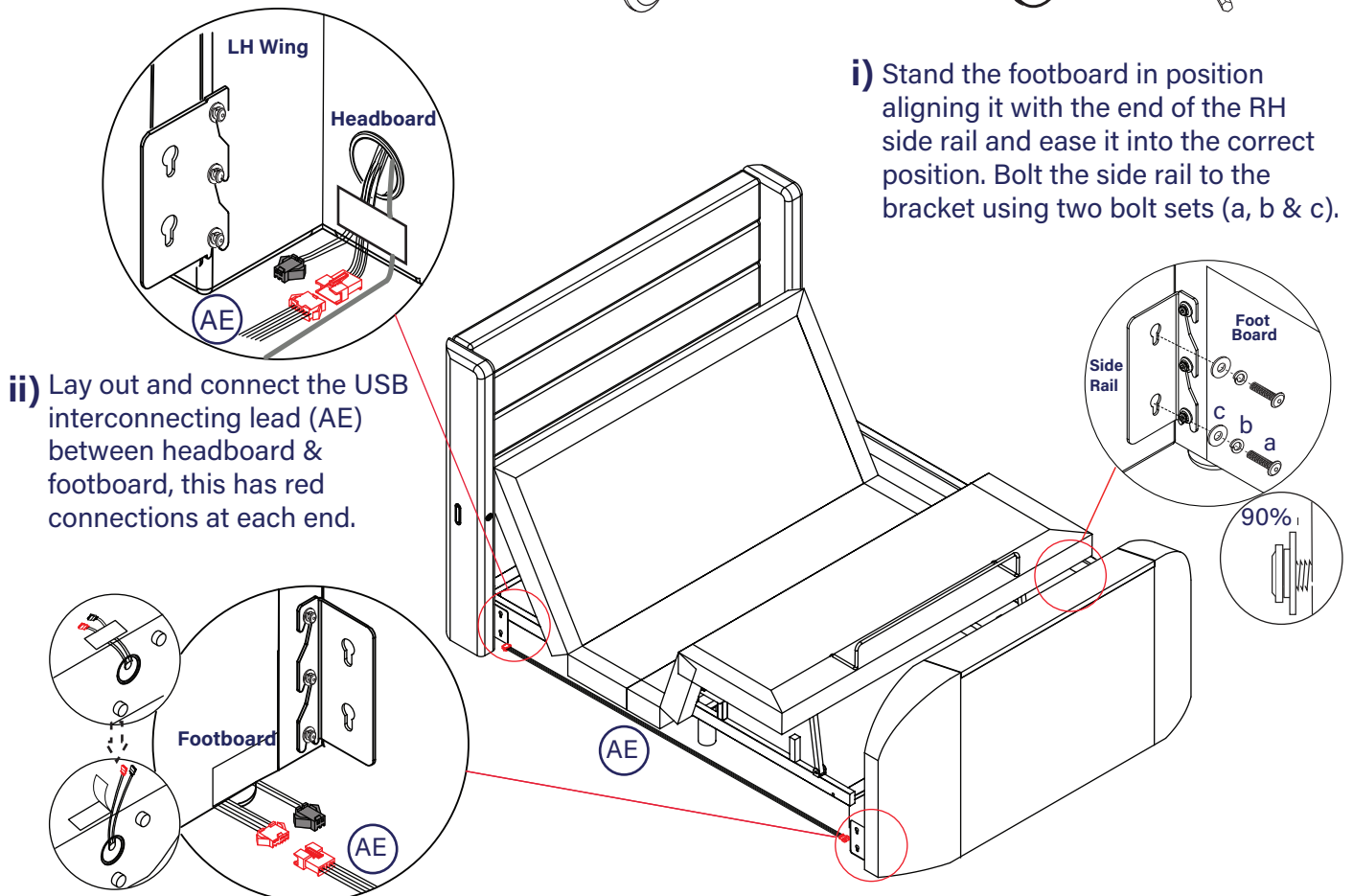


iv) Connect the LEDs

- 6** i) Connect the mains power lead for electric base to your wall socket - for safety this must be an earthed power supply.
 ii) Raise the head and foot ends of the bed base using the electric bed remote control.



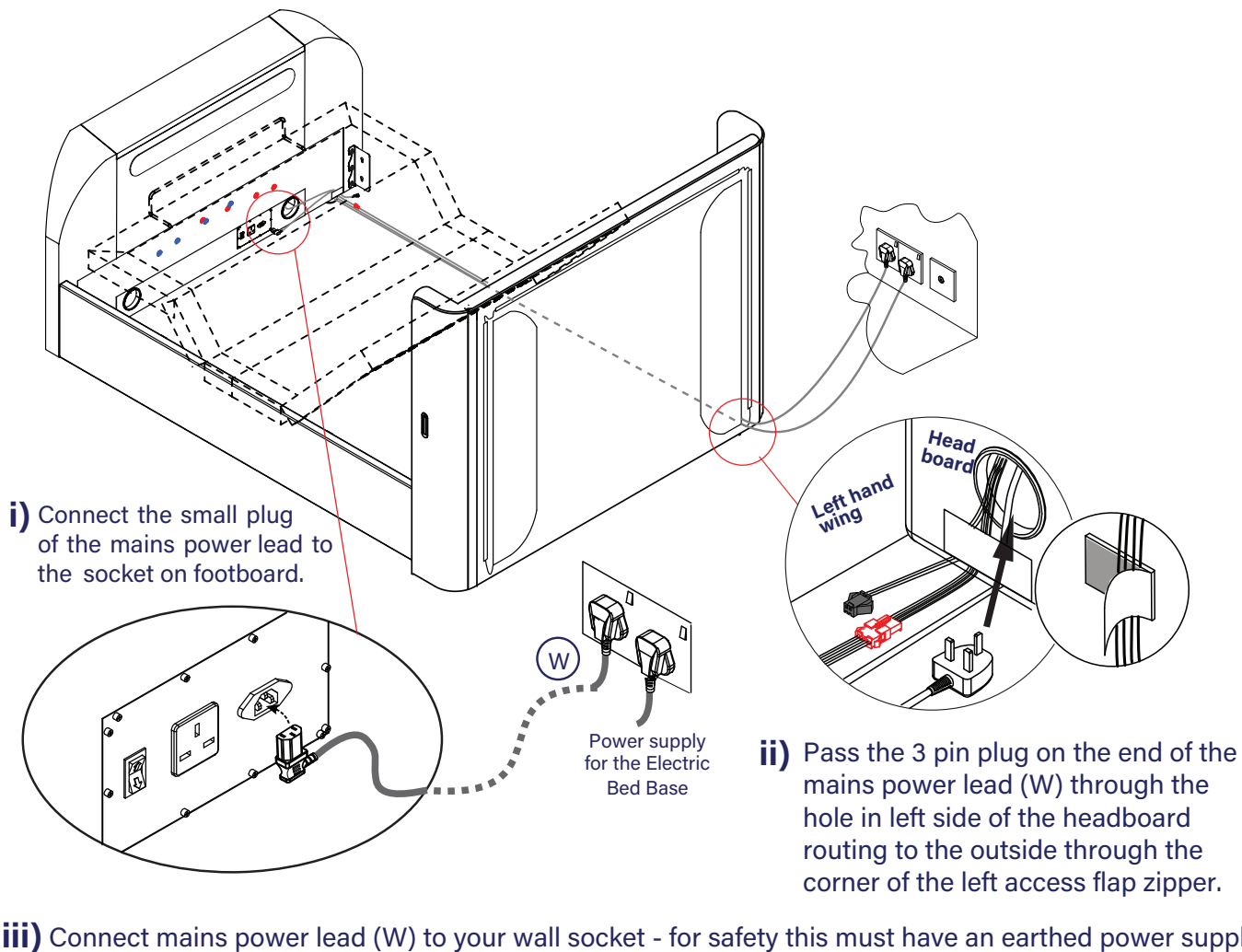
7 Position the footboard.



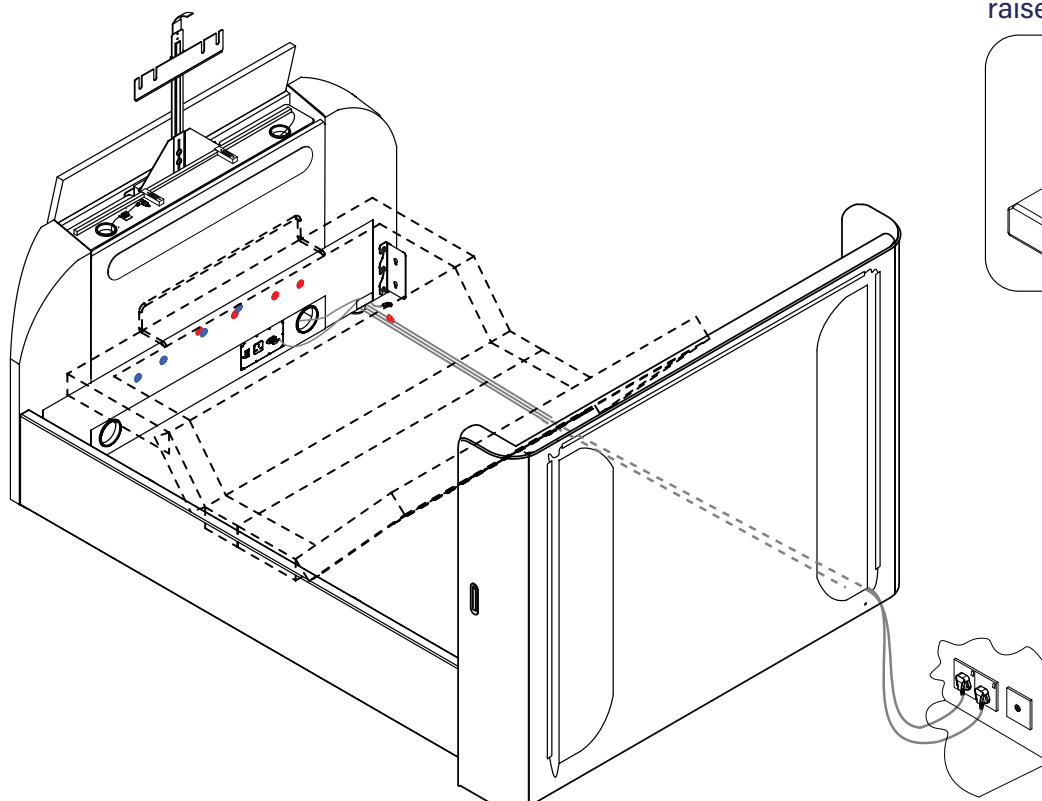
- i) Stand the footboard in position aligning it with the end of the RH side rail and ease it into the correct position. Bolt the side rail to the bracket using two bolt sets (a, b & c).

- ii) Lay out and connect the USB interconnecting lead (AE) between headboard & footboard, this has red connections at each end.

8 Connect to the mains power socket.

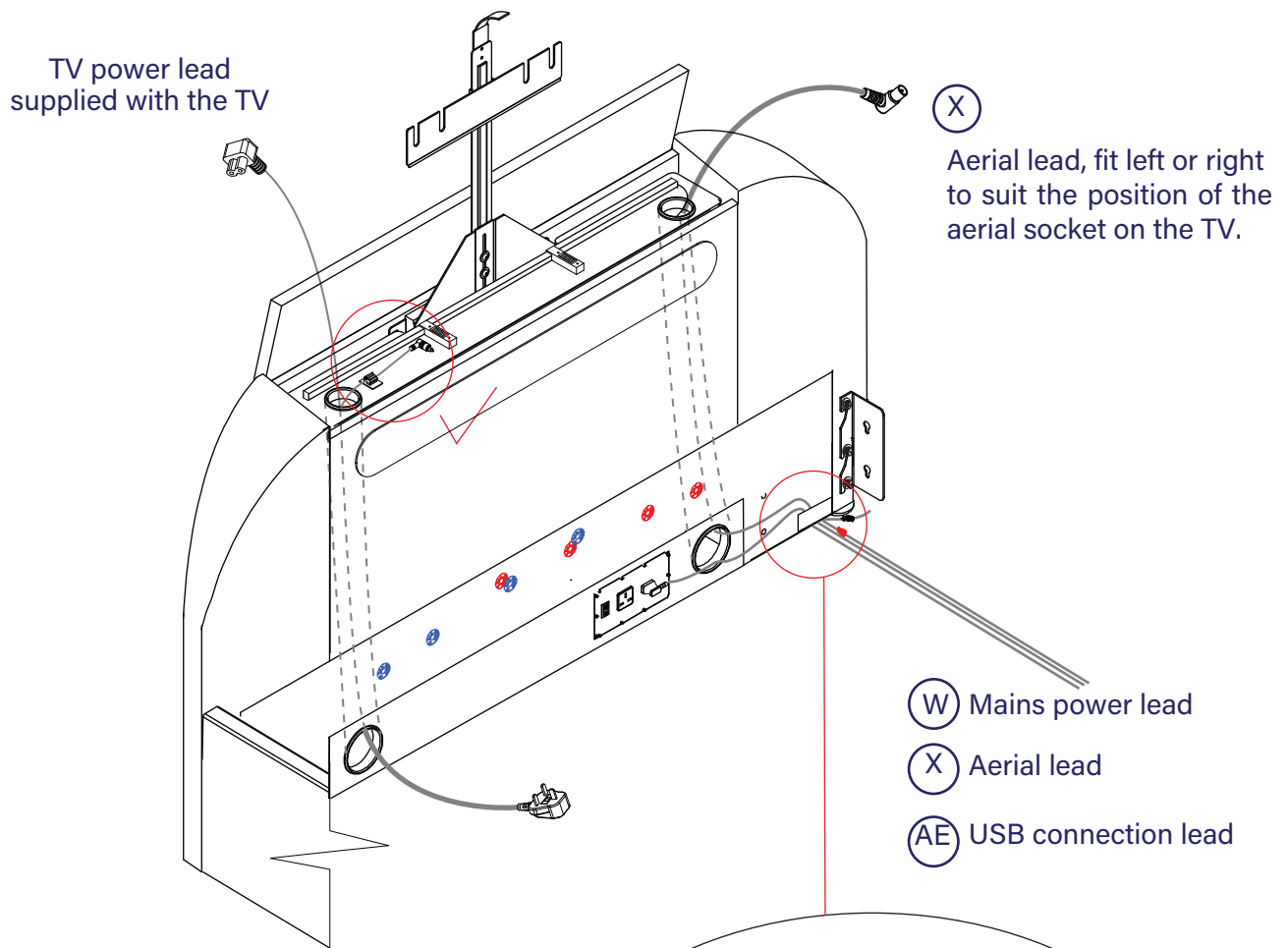


9 Prepare to fit the television.



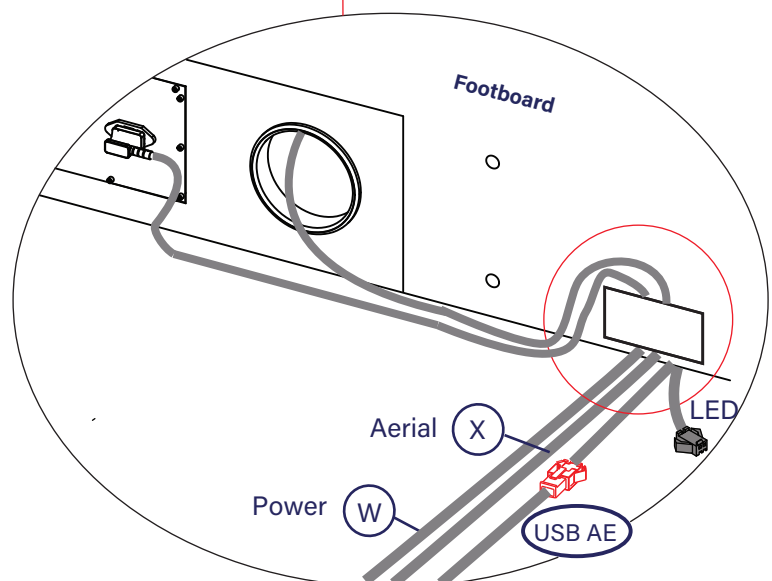
10 Note: For illustration purposes only, connections to the TV may vary.

- i) Before fitting the TV, push leads through each duct from the top choosing the best side to use depending on where the connection ports are on back of your TV.
If optical socket is on RH side of TV, looking from the rear, the plug is in the correct position (see red circle below).
If socket is on the opposite side, gently extract the lead out of the duct, take across behind TV to the new position.
Adhere lead to back of TV with clips (Z), please make sure there are no loose ends to get snagged.



- ii) Bring the leads across from footboard to headboard in a straight line.

- iii) At each end, fix the leads neatly to the velcro tabs on the faces of the headboard & footboard.

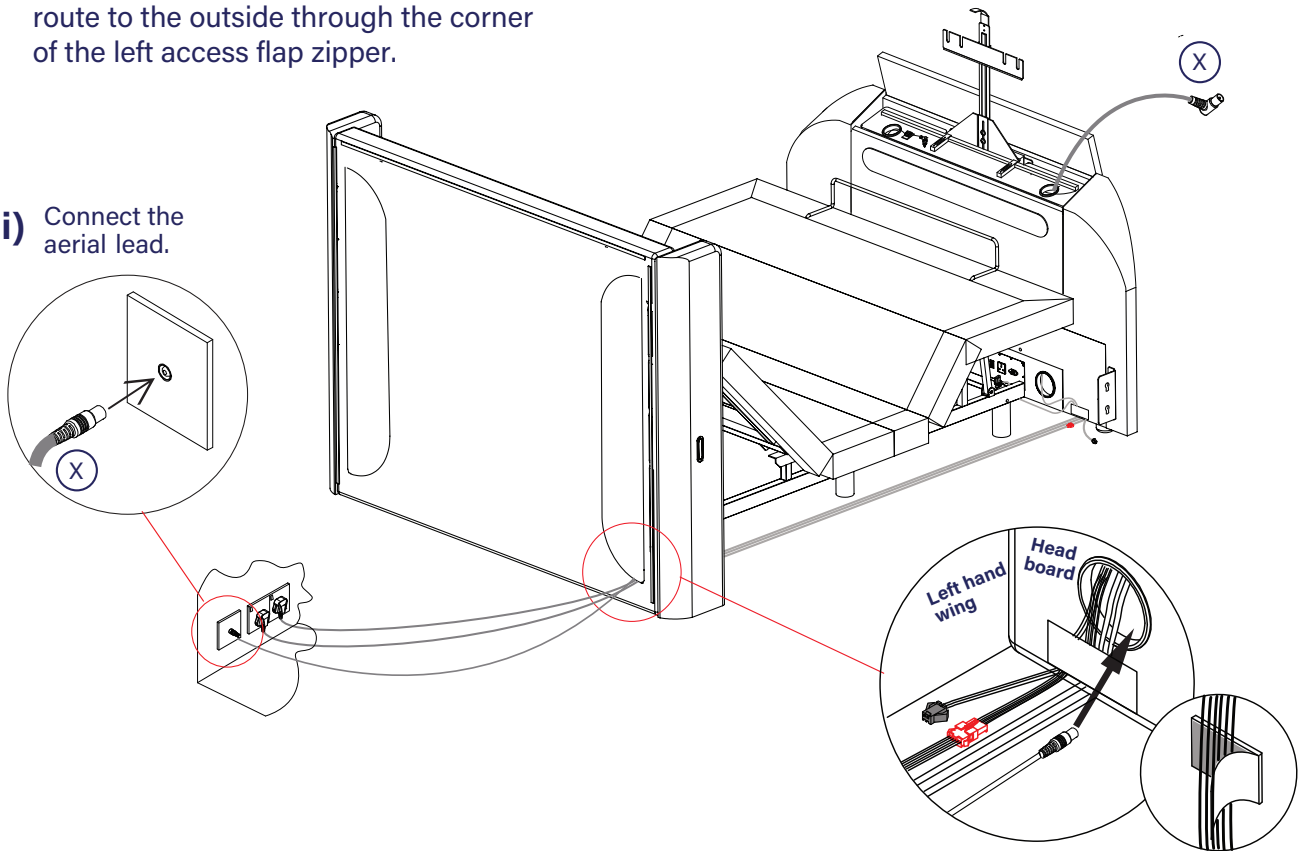


11

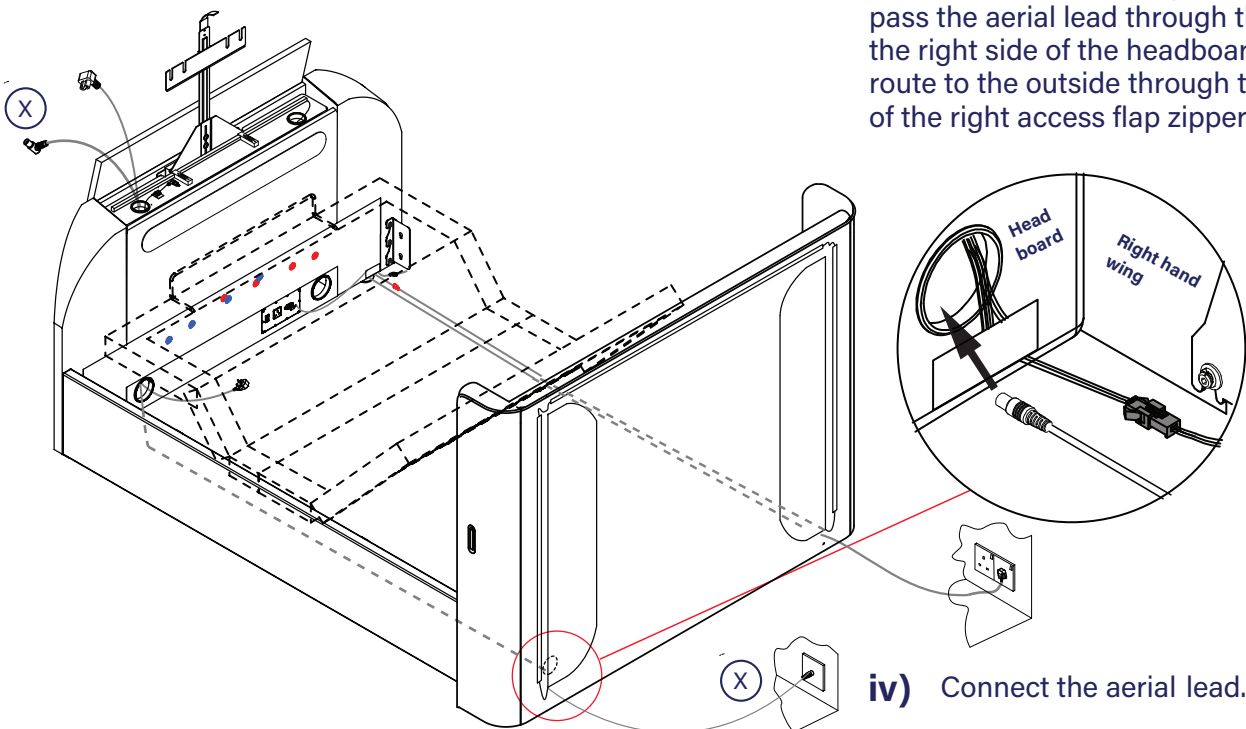
Route the cables together as shown - make sure there are no ends left loose to get trapped or snagged.

- i)** If the aerial port is on the left side of the television (looking from the rear) pass the aerial lead through the hole on the left side of the headboard and route to the outside through the corner of the left access flap zipper.

- ii)** Connect the aerial lead.



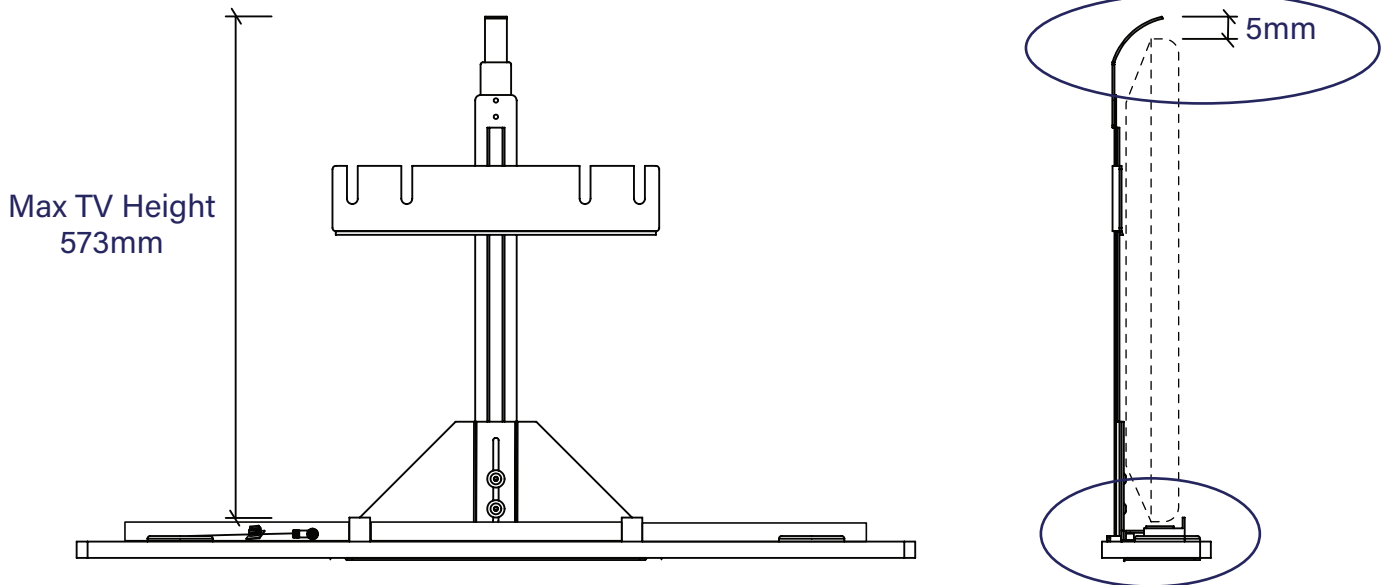
- iii)** If the aerial port is on the right side of the television (looking from the rear) pass the aerial lead through the hole in the right side of the headboard and route to the outside through the corner of the right access flap zipper.



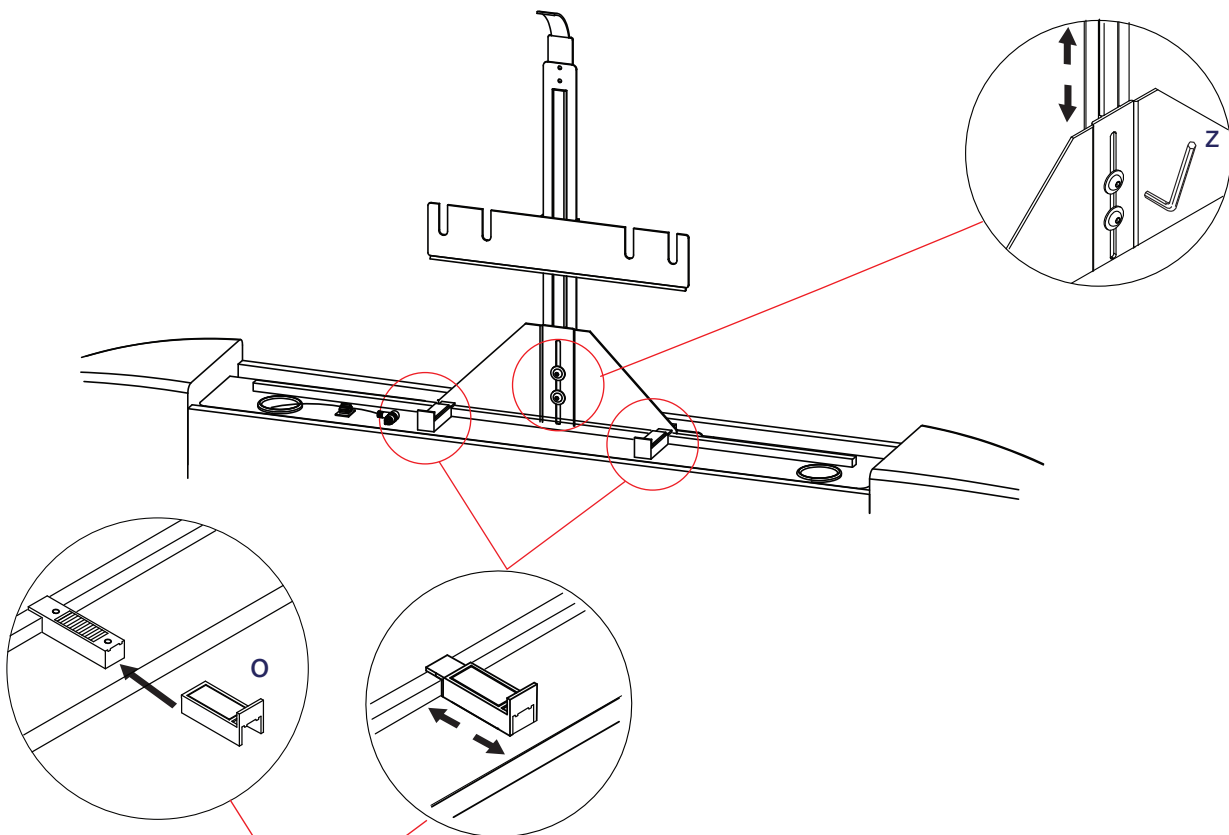
- iv)** Connect the aerial lead.

12 Height of TV is normally pre-set - follow this guide if it needs to be changed.

- i) Measure the height of the TV.
Add 5mm to it's height then adjust the column to suit.



- ii) Loosen the two column adjustment bolts, slide column so the curved lid lifter is just above the TV and re-tighten the two bolts.

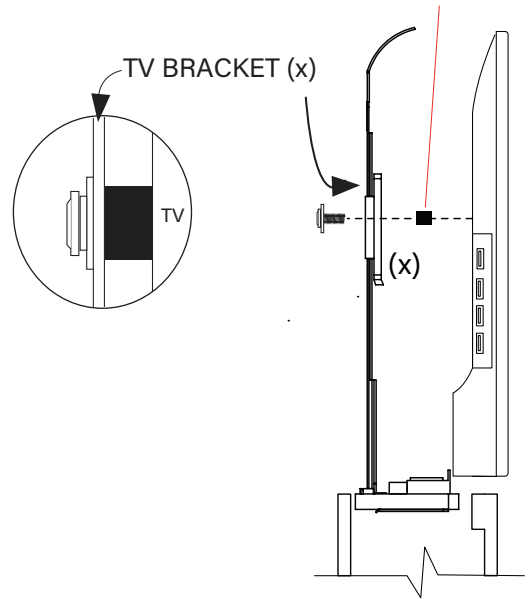
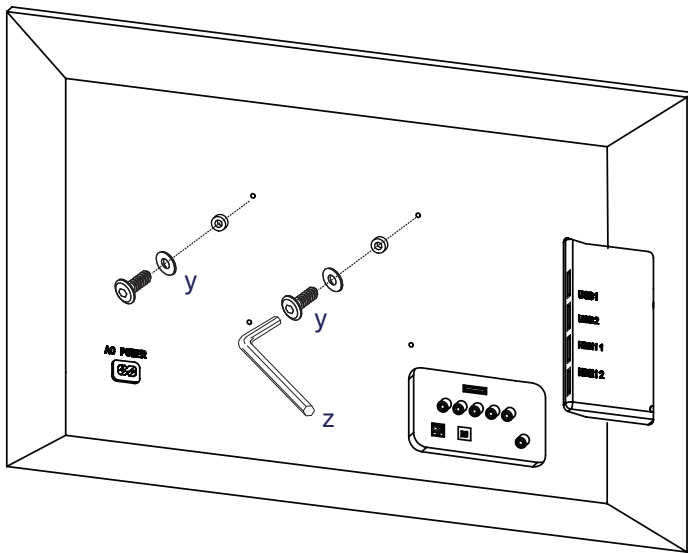


- iii) The upper part of each support (o) slides to hold front of TV in place.
Please follow the instructions on how to correctly set these supports in the next step.

13 Fitting the television.

i) Check the hardware supplied with TV and if Vesa bolts and spacers are supplied please use these to fit your TV.

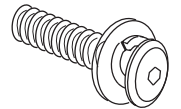
ii) When spacers are provided it is very important that these are fitted in the correct place, fit between TV & TV bracket, as in this sketch. These are needed to keep the TV screen vertical.



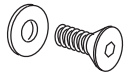
iii) To adjust the two TV supports (o), stand the TV in position and loosely secure it to the bracket using the hardware supplied. Each slider should be set to just touch the front bezel. To make sliding each support easier, lift the TV slightly, above the support being adjusted.

If hardware is not supplied with the TV, choose suitable fittings from the TV Kit

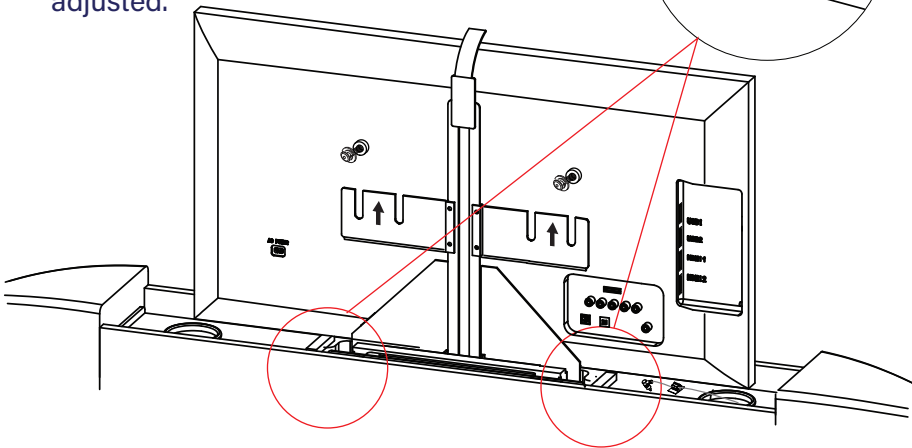
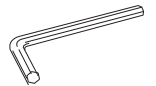
Bolt sets
(M8 x 25mm)



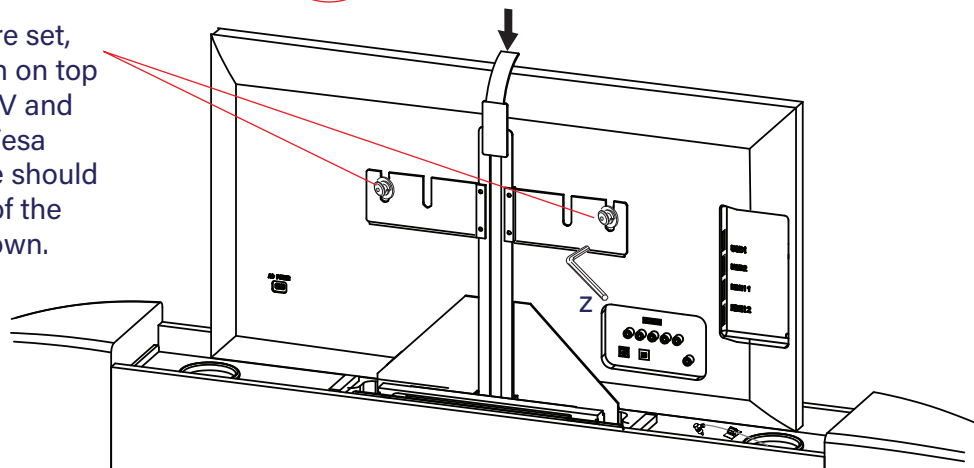
y Countersunk screw sets (M6x12mm).
Countersunk screw sets (M4x12mm).



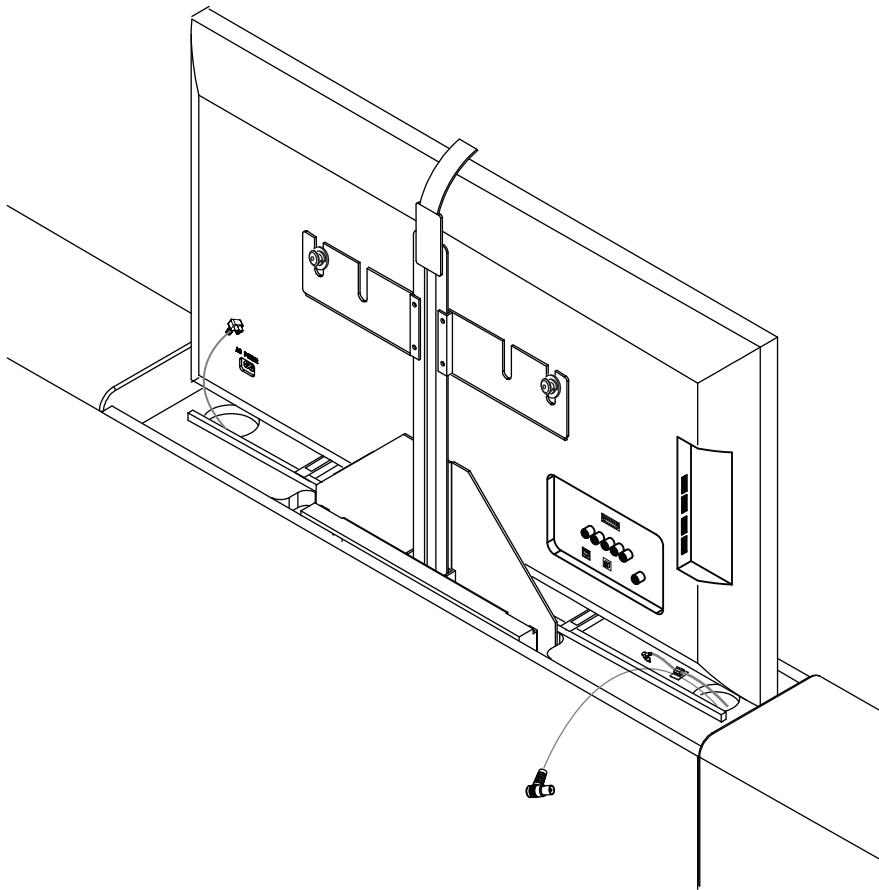
z Allen Key (4mm).
Allen Key (2.5mm).



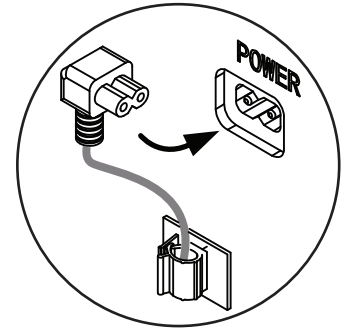
iv) Once supports are set, lightly push down on top of centre of the TV and tighten the two Vesa bolts 100%, these should be in the centre of the long holes as shown.



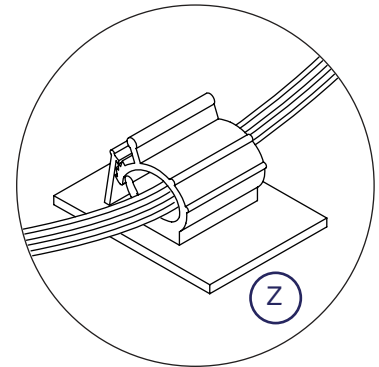
14 Note: For illustration purposes only, connections to the TV may vary.



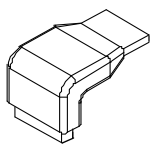
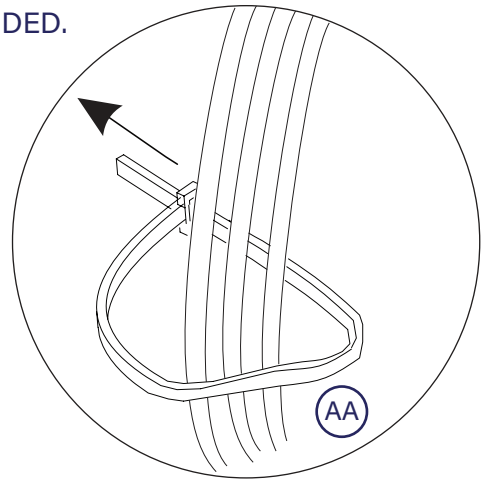
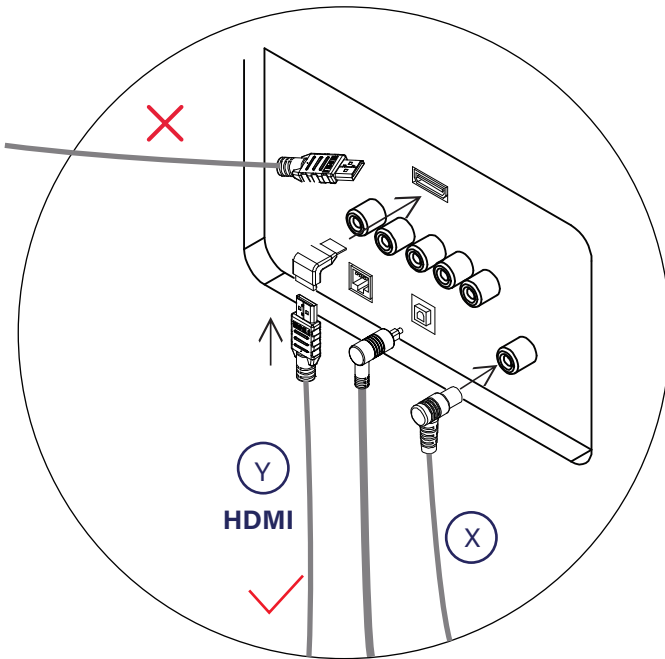
TV Power Lead
supplied with the TV



Keep wires tight - peel off cover
and adhere clips to back of the TV



**PLUG IN - KEEP ALL CABLES
TIGHT - USE CLIPS & TIES
PROVIDED.**



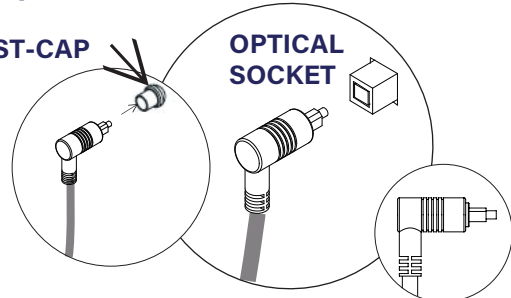
When HDMI socket is
on the back of the TV,
this 90° adapter (AF)
must be used or lead
may be damaged by the
TV compartment lid.



Optical connection detail..

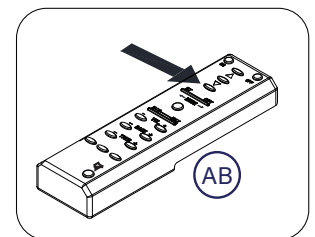
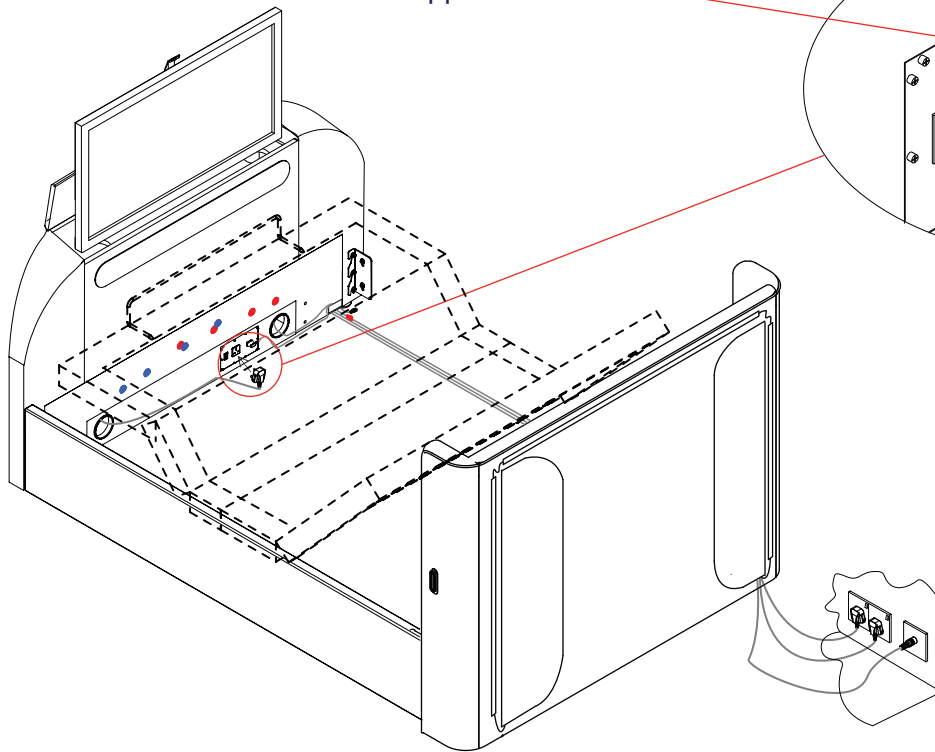
REMOVE DUST-CAP

**OPTICAL
SOCKET**



15 Connect power to the television.

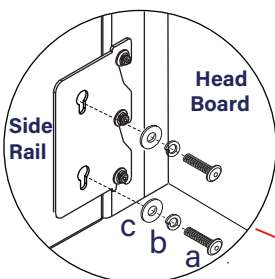
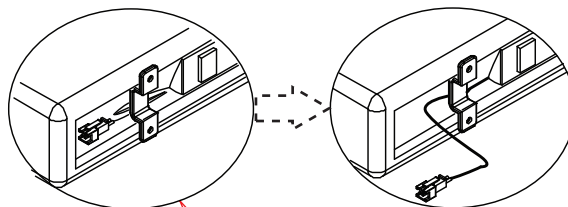
This three pin socket is not continuously live so only use to connect the power lead supplied with the TV.

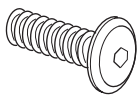





Press the "DOWN" button to lower the TV lift

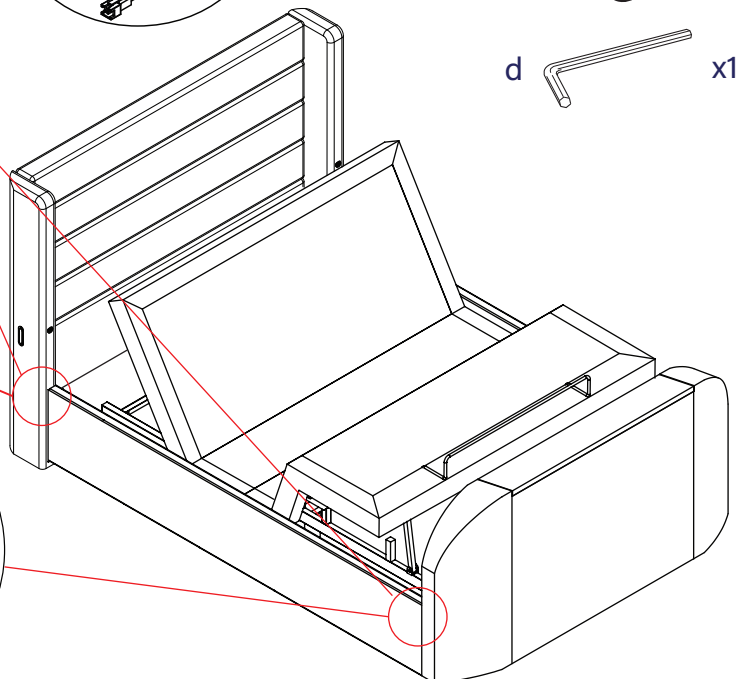
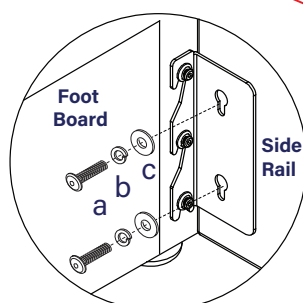
16 Make sure everything is working properly then fit the left hand side rail.

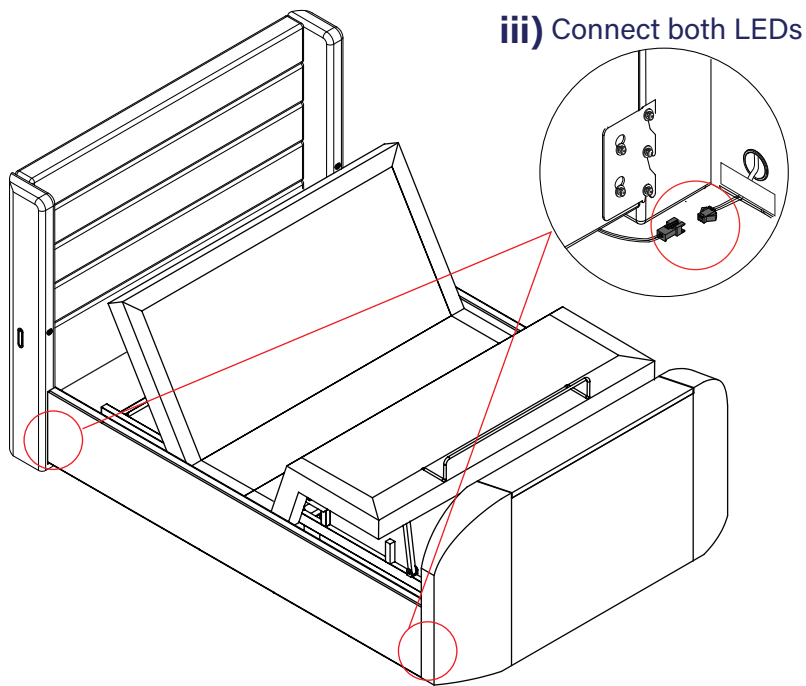
i) Prepare to fit the LH side rail to the brackets on the headboard and footboard. The LED leads at each end need to be carefully pulled out as shown below.



- a  x4
- b  x4
- c  x4
- d  x1

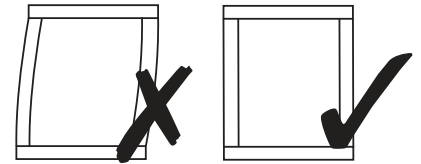
ii) Using four bolt sets (a, b, & c) fit the side rail to the brackets. Tighten bolts 90%.



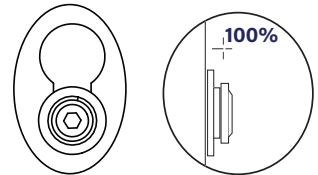


iii) Connect both LEDs

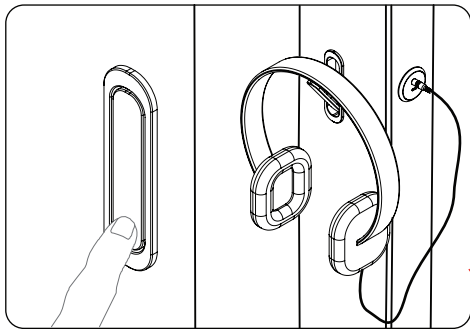
iv) Make sure the bed is squared up as shown.



v) Check the bolts on the side rail are sitting down in the keyhole slots then tighten all x20 bolt sets 100%.

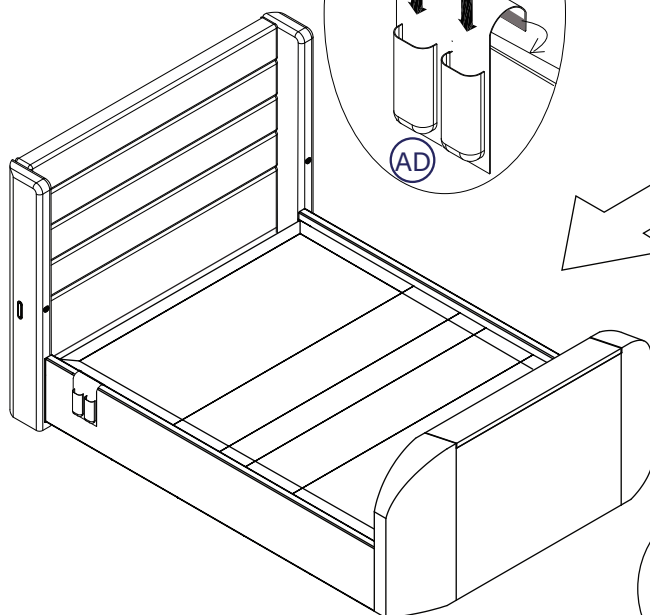
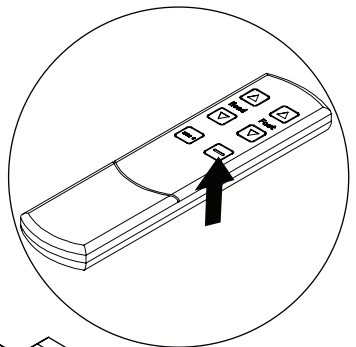
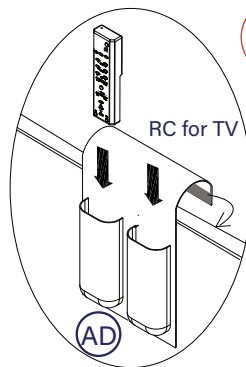


17 Fit the accessories and check the gaps.

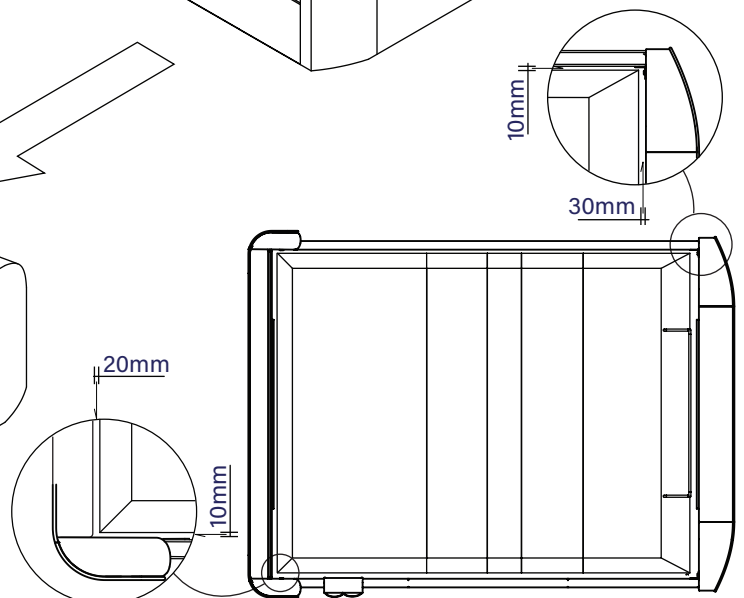


i) Hang your headphones.

ii) Fit the RC holster to the left or right side as required.

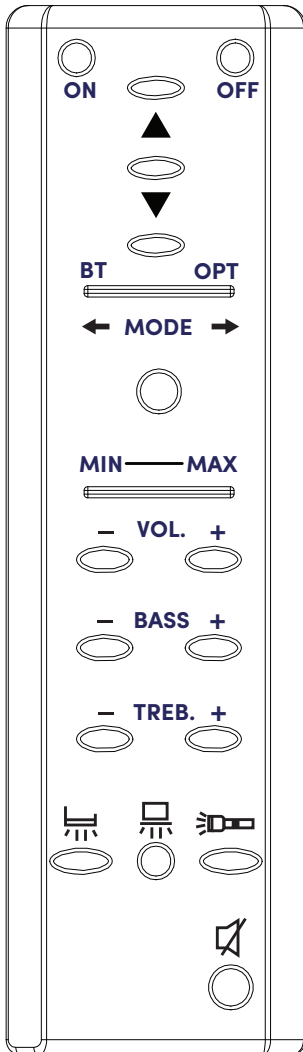


iii) Flatten the base and check the gaps are as per sketch.



AUDIO OPERATION GUIDE

DRIFT TV BED 2.1 STEREO SYSTEM



TURN AMPLIFIER ON or OFF.



- 1) Turn on the mains power to the TV Bed.
- 2) Press the Remote Control (RC) ON button for 2 seconds to synchronise and prepare the system, system voice shall say 'Power On'.
- 3) When finished press the OFF button for 2 seconds.

LIFT or LOWER THE TV.



Press once and TV will rise to it's upper working position. Power to the TV will be connected automatically - operate the TV using it's Operation Guide.

Press once and TV Lift will stop.

Press once and TV will go down - as soon as the lower resting position is reached, power to the TV is switched off to prevent it overheating.

NOTE: BLUETOOTH WILL WORK NORMALLY WHEN TV IS UP OR DOWN.

SELECT OPTICAL or BLUETOOTH MODE.



Select the required mode by pressing OPT (Optical) to watch TV or

Select BT (Bluetooth) to connect to your smart device to play music.

Pair your device in the normal way searching for -- 'MY BT' --.

Two devices can pair with the system but each will need to disconnect to allow the other to connect.

If a device was previously connected, system will immediately say PAIRED. If not previously connected, system shall say PAIRING.

Note you cannot play films through the system from any BT device.



The same blue LED light bar is used to show steps for all the following controls: VOLUME, BASS & TREBLE.

VOLUME CONTROL



Use --- + or - --- button to increase or decrease the volume.

Note that this control operates step by step and as it is adjusted, the blue LED light bar follows each step until full volume is reached, then the blue lights are all on.

BASS CONTROL



Adjust the Bass attenuation - these buttons increase or decrease the lower frequencies of the sound.

TREBLE CONTROL



Adjust the Treble attenuation - these buttons increase or decrease the higher frequencies of the sound until the preferred sound level is achieved. Note: if higher frequency sound is reduced, the volume of the sound appears to be reduced too - this is normal.

LED Lights



Switch on or off the LED arrays on rear of head end and under-the bed.



Switch on or off the LED platform light under the television.



This button operates the torch.



MUTE BUTTON



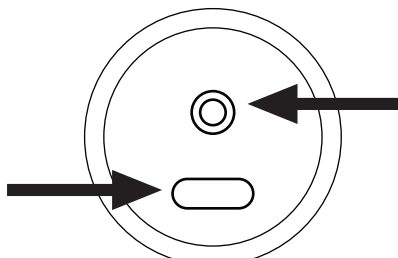
This button turns the sound off and back on again .

MODULE FITTED TO EACH HEAD END WING

TYPE-C CHARGING SOCKET

PUSH A TYPE-C PLUG INTO THIS SOCKET TO CHARGE ANY SUITABLE DEVICE
TOTAL POWER IS 5V 2.1A.

NOTE THIS USB IS FOR CHARGING ONLY, IT CANNOT PLAY MUSIC OR VIDEOS THROUGH THE SYSTEM.



HEADPHONE SOCKET

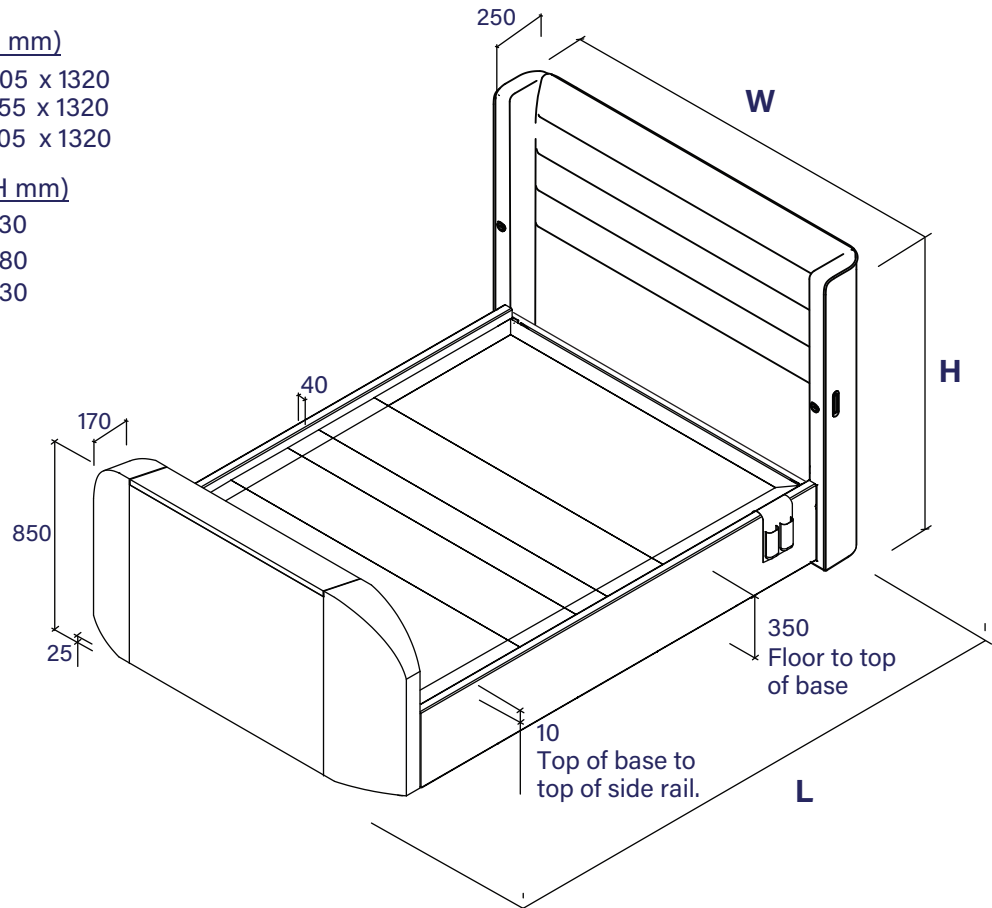
PLUG A 3.5mm HEAD-PHONE JACKPLUG INTO THIS SOCKET AND SOUND FROM MAIN SPEAKERS IS CUT OFF.

Overall Dimensions (LWH mm)

Small Double: 2260 x 1405 x 1320
Double: 2260 x 1555 x 1320
King: 2360 x 1705 x 1320

Internal Dimensions (LWH mm)

Small Double: 1930 x 1230
Double: 1930 x 1380
King: 2030 x 1530



Care and maintenance

Here are some tips to keep your new bed in tip-top condition



Cleaning

To clean your new bed, we'd advise using a warm damp cloth or if fabric, remove dust using a low suction vacuum cleaner. Please do not use abrasive chemicals or bleach as this may damage the product.



Checking and moving

Periodically we recommend you check that the screws or fixtures haven't become loose over time. To move your new bed, we recommend lifting it where possible, as dragging or pushing it could cause damage to the legs or flooring.



Wood

Please note each of our wooden pieces are unique, meaning that markings and shade can vary slightly between beds. Over a period of time, the wood might lighten or fade slightly due to light exposure.



Fabric

Please note depending on the lighting, positioning and surroundings of your room, the shade of the colour can sometimes appear slightly different. Over a period of time, the colour might lighten or fade slightly due to light exposure.



Metal

Metal tends to be more resilient to everyday wear and tear. We recommend to gently dust your metal furniture and keep it dry to maintain its look.

Thank you for shopping with us - we hope you have a great night's sleep.

Sleep well

TV BED SAFETY INFORMATION

GENERAL INFORMATION

It is very important not to place any vessel containing liquids, e.g. drinks or vase of flowers, on top of the TV footboard which may accidentally spill and enter the TV compartment as this could cause damage to the TV and/or the TV lifting equipment. If this happens, please contact Customer Services - ring 0800 652 6750.

For customers based in Northern Ireland, please call 028 9050 8300.

Do not expose the bed to an undue level of heat - keep away from radiators.

Never allow anyone to sit on the foot end of the bed - keep children well away from moving parts.

To keep the bed clean, we recommend that it be wiped over with a slightly dampened cloth or if fabric use a light vacuum cleaner; disconnect power before cleaning.

Supplied with the TV bed is a remote control to operate the TV Lift and a remote control to operate the Television.

Both these remotes use batteries, there are strict controls for disposal of batteries - your local council can advise on how to safely dispose of them. Never burn batteries on an open fire as they could explode.

IMPORTANT POWER INFORMATION

It is essential that the Mains Power Lead is connected to an earthed socket be it a wall socket or extension lead - otherwise there is risk of damage or even electric-shock.

The socket providing the power must be accessible at all times in case one needs to switch off the supply quickly.

During an electrical or lightening storm - disconnect the power completely as a precaution.

Always un-plug the power when going on holiday or when the bed is not used for an extended period.

If you have young children in the home always disconnect the power at the wall socket for extra safety.

Power outlets, extension leads or adapters must not be overloaded beyond their limit - this can result in fire or electric shock.

Leads or leads supplied with this bed, or other approved mains powered extension leads used to power your own equipment, must not be placed where they can be walked on - this is dangerous and could lead to accidents.

Do not interfere with or modify any leads already fitted and do not add any extra media leads unless they are routed through the ducts as shown.

All leads must be tightly connected to back of TV using cable clips provided, never hanging loose.

Never touch moving parts or any part of the equipment - if something needs to be checked, disconnect the power first.

Do not insert anything into the footboard as this could seriously damage the TV and/or the TV lifting equipment and could, if done carelessly, cause serious damage or injury.

If the equipment doesn't operate normally or if there is an unusual noise, disconnect the power & contact Customer Services.

TELEVISION INSTALLATION

Please follow the television installation instructions below.

Raise the TV Lift by pressing the up button of the remote control.

Connect the Aerial & standard HDMI leads by passing down the appropriate duct to suit connections on back of the TV.

Connect the TV to the mounting bracket as appropriate taking care to follow the instructions and using the spacers if supplied.

If necessary mounting bracket can easily be adjusted up or down to align with upper fixing holes on rear of TV.

Connect the TV Power Lead by passing the plug down one of the ducts, plugging it into an adapter if supplied, then into the TV power socket which is on the face of footboard. This socket is only to be used for the TV as for safety reasons, the power supply to it is not constant.

If required, connect your own media leads through either of the ducts - connect your media equipment when ready.

Please use the cable clips & cable ties to make certain there are no wires hanging loose that might get snagged or trapped.

The TV can now be operated following the TV User Guide supplied with your TV.

When finished viewing, lower the TV back into the footboard by pressing the down button of the remote control, the TV will retract into the footboard automatically - to prevent overheating, power shall be turned off when the TV reaches the lower rest position. When the up button is pressed - the TV Lifting Column rises and power to the TV turns back on automatically.

TROUBLE SHOOTING

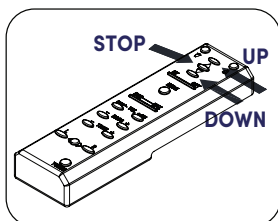
If your equipment does not operate please check all the power connections from wall to the socket in the footboard.

Make sure TV is switched on (Note: TV will only work when it is in the up position).

If you cannot resolve an issue or still have a problem or need help, please contact Customer Services for advice.

IMPORTANT: Care should be taken when connecting electrical items. If you are in any doubt about the correct connections to your TV Bed, please consult an approved electrician.

Occasionally you may find the radio wave connection between remote control and TV Lift is lost, probably due to atmospheric conditions. In that case please follow these simple instructions:



- ① . Disconnect all mains electric power to the bed, for at least 60 seconds.
- ② . Press either UP or DOWN Button on TV Lift Remote Control and keep holding button down, simultaneously re-connect mains electric power to bed keeping button down for at least a further 5 seconds. The TV Lift unit receives the signal from the Remote Control and TV lift will begin to move UP or DOWN whichever button was pressed.
- ③ . Re-pairing is now completed.

Little dreamers

Keep the little ones entertained while you assemble your new purchase.

