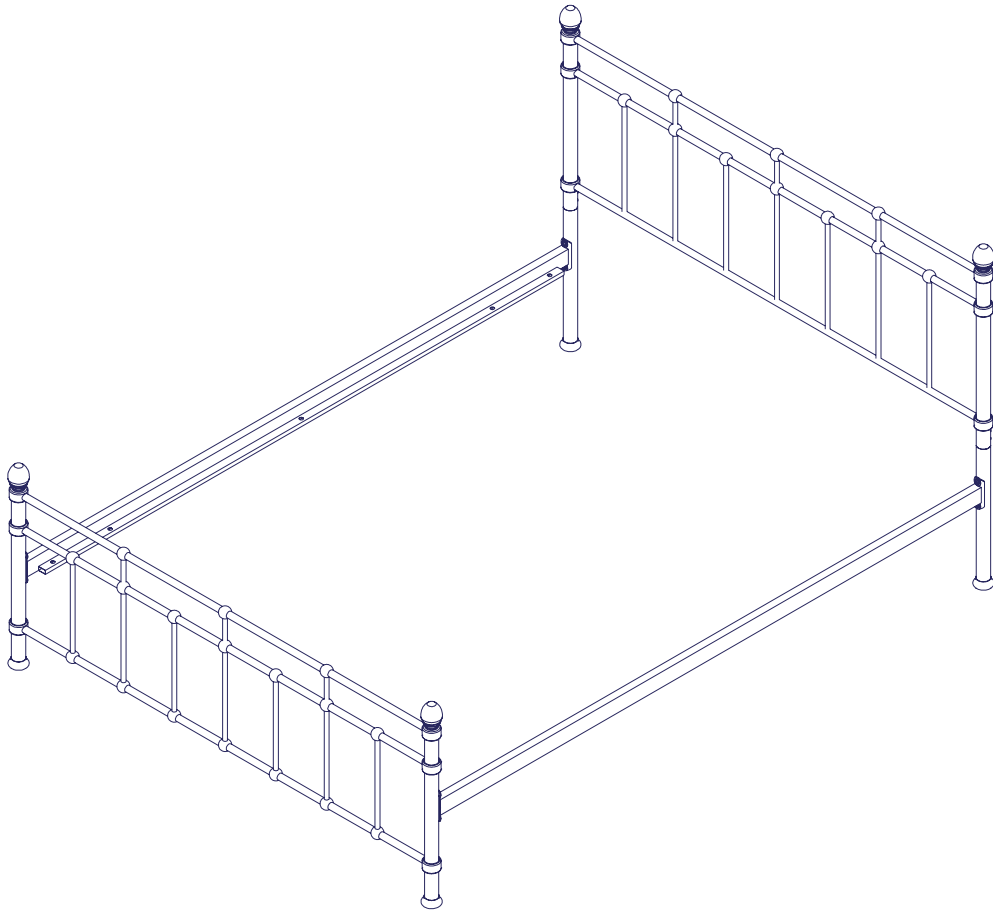


Downton Bed

Single



3/4 hour approx
assembly time



Two person
assembly

Dreams

Thank you

Hello, thanks for choosing to purchase your bed from our company- you're now on your way to creating a practical and stylish solution for your room. Before you begin building your bed, please take a moment to read through the instructions and make sure that you've got all the relevant parts listed on the following pages.



Assembly tips

Before you begin, it's best to identify all parts and fittings to build your bed. We advise laying these out on the floor to check you have everything, and familiarising yourself before building.



Top tip

We recommend that you build your new bed in the room you'd like it to be located - this will help prevent any risk of damage to your newly built sofa bed whilst moving it.



Safety and care

It's really important to ensure children and animals are kept away from the assembly area, as there are small components used in this bed which could present a choking hazard. All plastic and wrapping materials should also be kept away from children and animals to prevent any risk of suffocation. To keep your little ones busy, there is a colouring page inside the back cover.



Recycling

Please ensure that packaging is disposed of in a safe and environmentally friendly way, and recycle where possible. Our assembly instructions are printed on recycled paper. Please keep your assembly instructions safe to refer back to in the future.

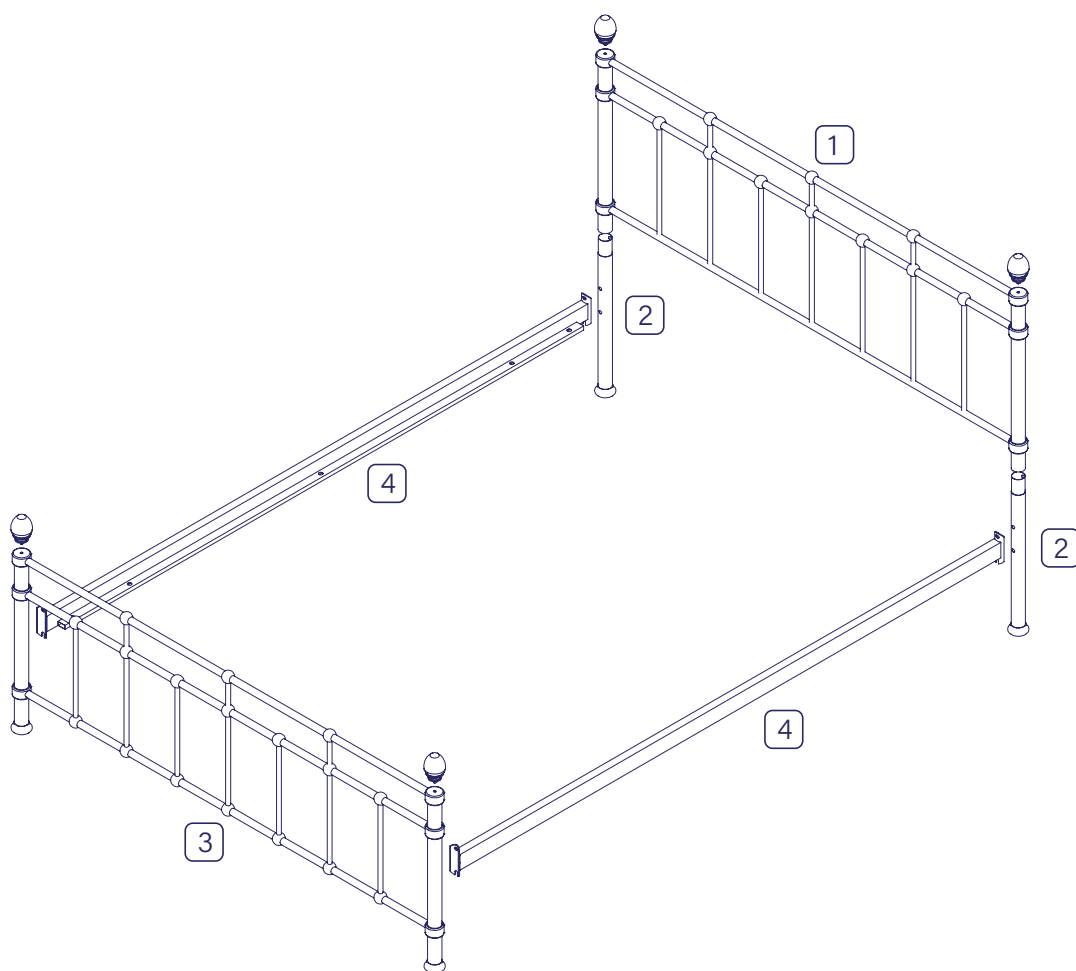
Parts

Important information

The bed you have purchased comes with 3 different base options; solid slats, sprung slats or with Sleepmotion. Please identify which base you have purchased as the assembly method may change.

If you have purchased solid or sprung slats please follow the instructions below in the current order.

If you have purchased a Sleepmotion base, please build the Sleepmotion base first following the instructions provided in that box. Once the base is built please skip to page (insert page number here) to build your frame.



Parts list

- | | | | | | |
|----|-------------------------|--------------------------|----|-------------------|--------------------------|
| 1. | Head Board x 1 pc | <input type="checkbox"/> | 3. | Foot Board x 1 pc | <input type="checkbox"/> |
| 2. | Head Board legs x 2 pcs | <input type="checkbox"/> | 4. | Side Rail x 2 pcs | <input type="checkbox"/> |

Fittings

Please check you have all the parts listed below with your product:

A x 10



Bolt (M6 x 20mm)

B x 4



Bolt (M5 x 35mm)

C x 6



Bolt (M5 x 25mm)

D x 14



Metal Washer (Ø16)

E x 6



Metal Washer (Ø21)

F x 6



Inner Bolt

G x 8



Rubber Washer (Ø24)

H x 1



Tapping Screw
(Ø5 x 43mm)

I x 1



Center legs

N x 2

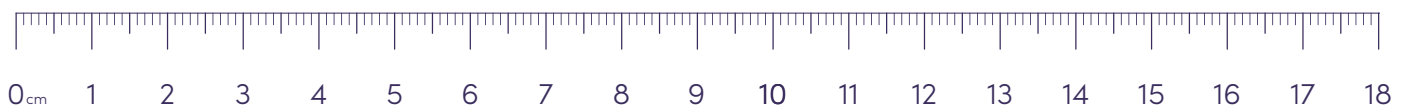


Allen Key

O x 4



Finial



Tools required

Please check you have all these below:



Cross head
screwdriver



Scissors



Tape measure

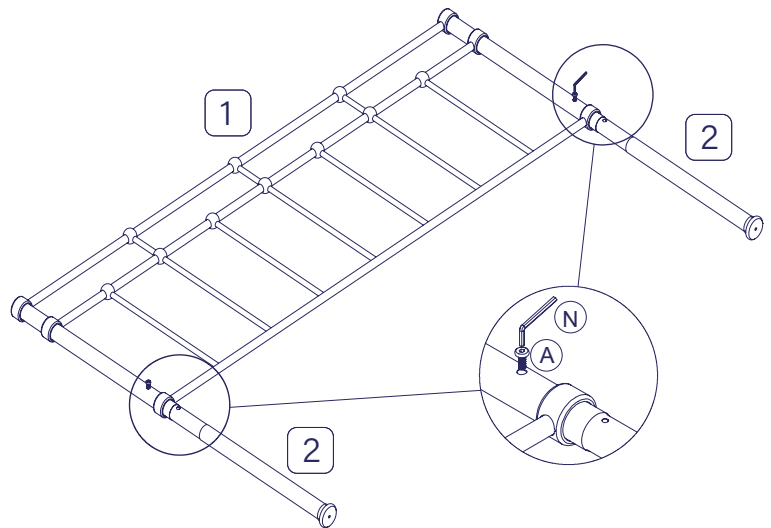
Assembly

1

HEADBOARD ASSEMBLING

Attached Headboard Leg (2) to the Headboard (1).

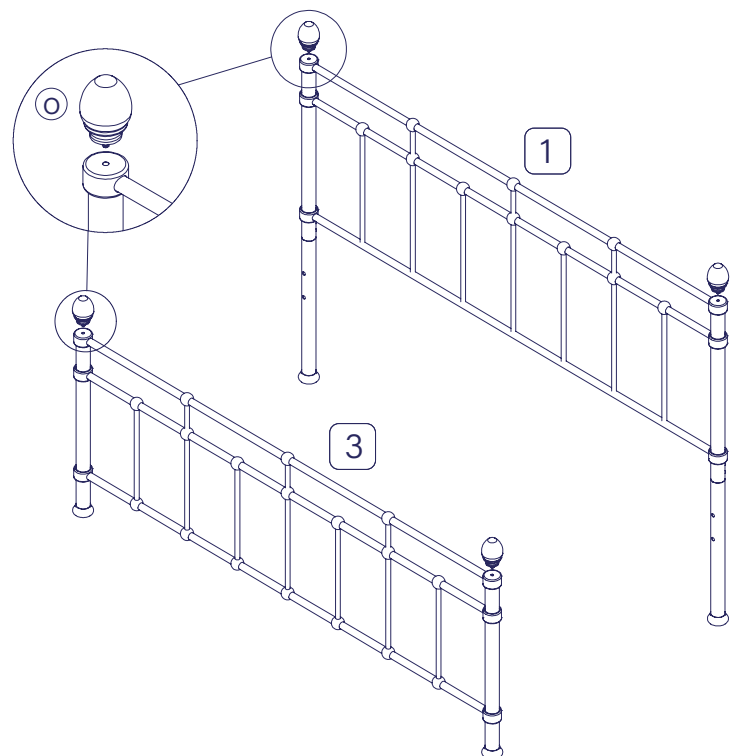
Fully tighten Bolt by Allen Key (N) provided.



2

HEADBOARD & FOOTBOARD ASSEMBLING

Attached Finial (O) to the Headboard (1) and Footboard (3).



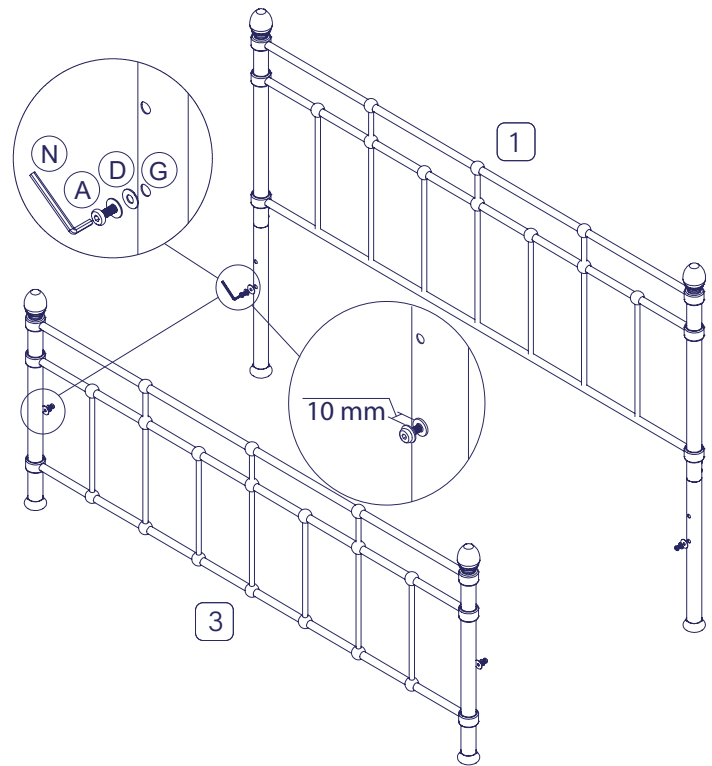
Assembly

3

HEADBOARD & FOOTBOARD ASSEMBLING

To loosely tighten Bolts to Headboard (1) and Footboard (3) using Bolt (A), Metal Washer (D), Rubber Washer (G).

Left Bolt 10mm in out side in this step.

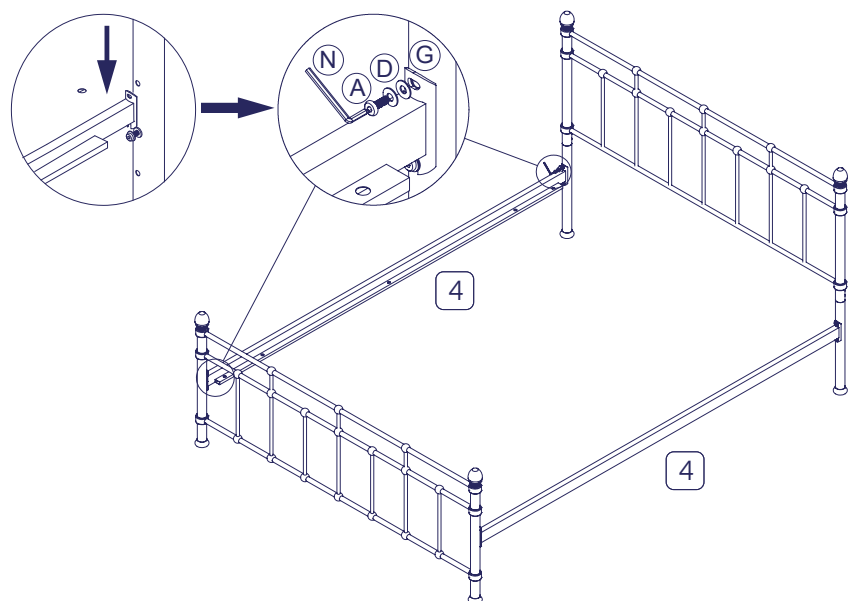


4

SIDE RAILS ASSEMBLING

Attached Side Rails (4) down to headboard and Footboard before tighten Bolts.

After attached, fully tighten using Bolt (A), Metal Washer (D), Rubber Washer (G).



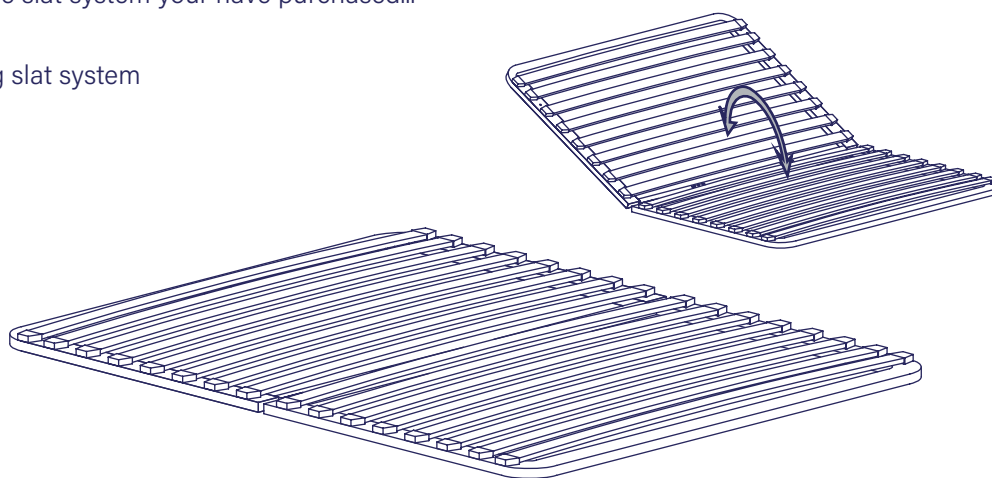
Assembly

5

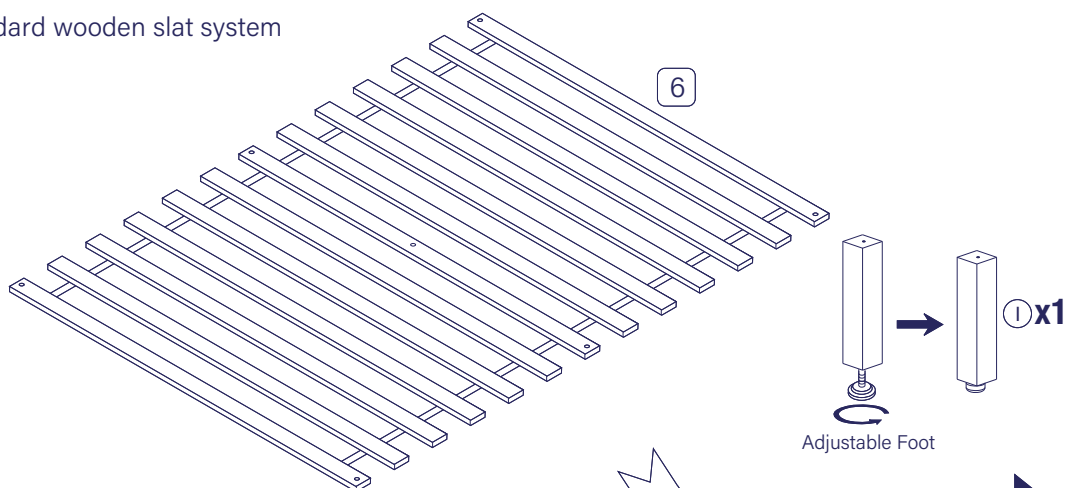
SLAT SYSTEM ASSEMBLING

! Identify the slat system your have purchased...

Sprung slat system



Standard wooden slat system

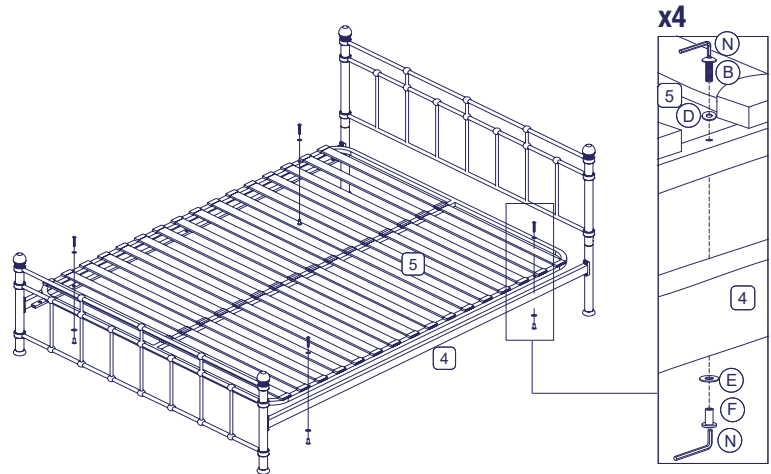


Assembly

A

SLAT SYSTEM ASSEMBLING

Put the sprung slat system(5) on the bedframe, Fully tighten using Bolt (B), Inner bolt (F), Metal washer (D), Metal washer(E).

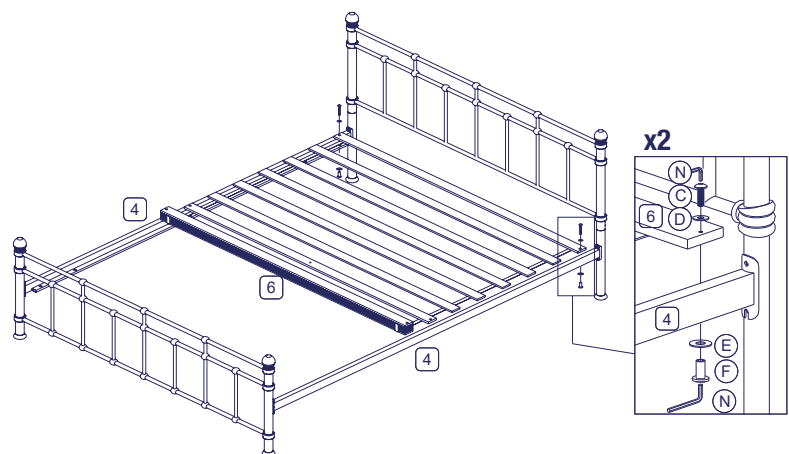


B

SLAT SYSTEM ASSEMBLING

Take out standard wooden slat system (6). Take out Center legs (I), make sure the foot can be adjustable.

Put the standard wooden slat system (6) on the bedframe, fully tighten using Bolt (C), Inner bolt (F), Metal washer (D), and Metal washer(E).

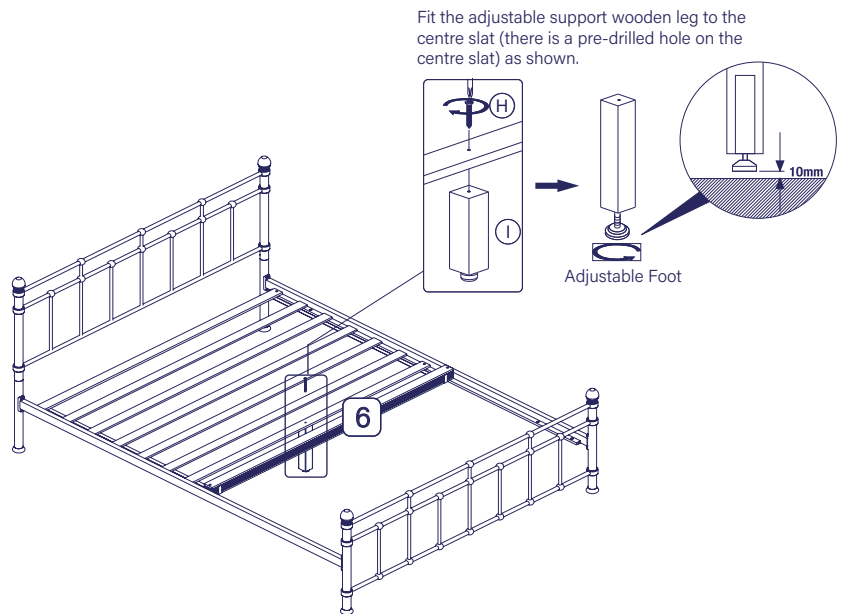


Assembly

C

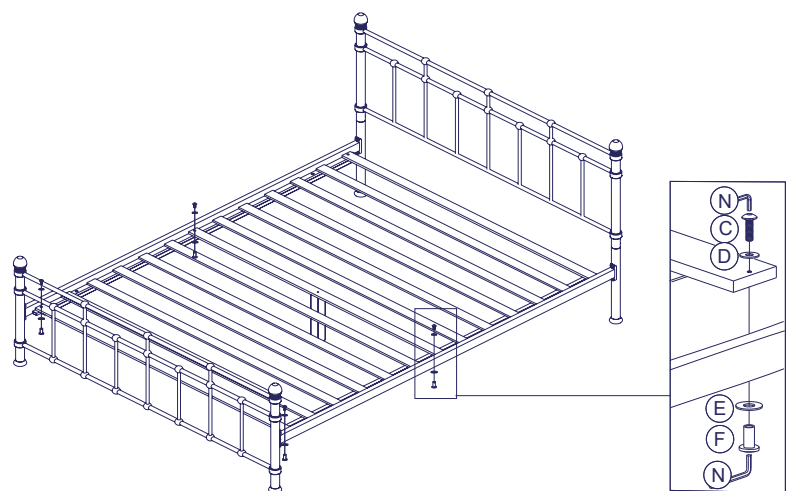
Assembling center leg (I) to the slat system, fully tighten Tapping Screw(H) using cross screwdriver (Not provided).

Fit the adjustable support wooden leg to the centre slat (there is a pre-drilled hole on the centre slat) as shown.



D

Fully tighten using Bolt (C), Inner bolt (F), Metal washer (D), Metal washer(E).



Care and maintenance

Here are some tips to keep your new bed in tip-top condition



Cleaning

To clean your new bed, we'd advise using a warm damp cloth - please do not use abrasive chemicals or bleach as this may damage the product.



Checking and moving

Periodically we recommend you check that the screws or fixtures haven't become loose, over time. To move your new bed, we recommend lifting it where possible, as dragging or pushing it could cause damage to your flooring.



Wood

Please note each of our wooden pieces are unique, meaning that markings and shade can vary slightly between beds. Over a period of time, the wood might lighten or fade slightly due to light exposure.



Fabric

Please note depending on the lighting, positioning and surroundings of your room, the shade of the colour can sometimes appear slightly different. Over a period of time, the colour might lighten or fade slightly due to light exposure.



Metal

Metal tends to be more resilient to everyday wear and tear. We recommend to gently dust your metal furniture and keep it dry to maintain its look.

Thank you for shopping with us - we hope you have a great night's sleep

Sleep well



Little dreamers

Keep the little ones entertained while you assemble your new purchase.



Dreams

