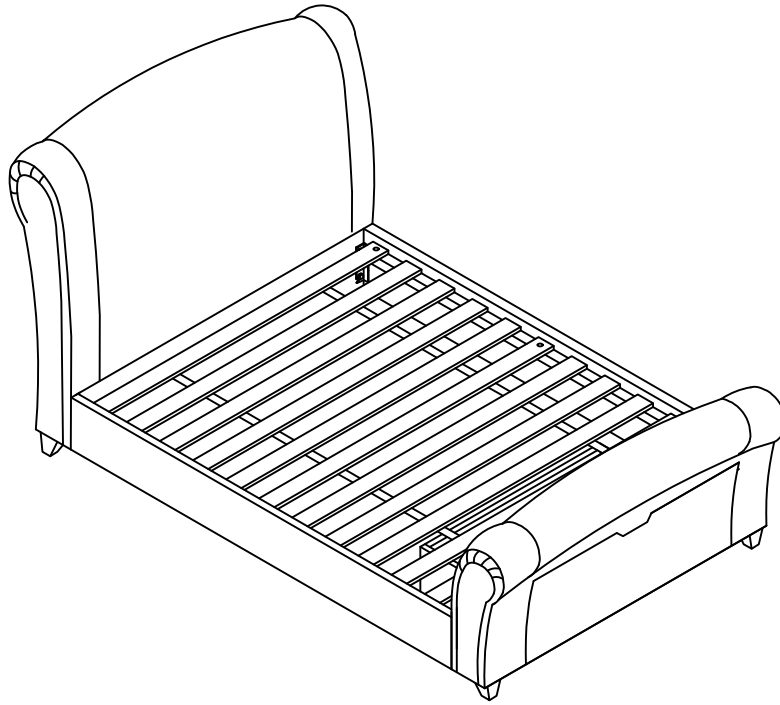


Delaware End-Drawer bed



1. We suggest you spend a short time reading through this leaflet and then follow the simple step by step instructions.
2. If you follow the instructions carefully the end result should be worth the effort.
3. Do not discard any of the packaging until you have checked that you have all the parts and the pack of fittings.
4. Assemble this product on a carpet.
5. To ensure an easier assembly, we strongly advise that all fittings are only finger tightened during initial assembly. Only upon completion of the Assembly should all fixing points be fully tightened.
6. We recommend a periodic check on all fixing points to make sure they remain fully tightened.
7. Keep glue and fittings out of children s reach.



1 hour approx
assembly time



Two person
assembly

Dreams
Love your bed

Thank you

Hello, thanks for choosing to purchase your bed from Dreams - you're now on your way to your best ever night's sleep. Before you begin building your bed, please take a moment to read through the instructions and make sure that you've got all the relevant parts listed on the following pages.



Assembly tips

Before you begin, it's best to identify all parts and fittings to build your bed. We advise laying these out on the floor to check you have everything, and familiarising yourself before building.



Top tip

We recommend that you build your new bed in the room you'd like it to be located - this will help prevent any risk of damage to your newly built bed whilst moving it.



Safety and care

It's really important to ensure children and animals are kept away from the assembly area, as there are small components used in this bed which could present a choking hazard. All plastic and wrapping materials should also be kept away from children and animals to prevent any risk of suffocation. To keep your little ones busy, there is a colouring page inside the back cover.



Help and support

At Dreams, it's our mission to give the whole nation a great night's sleep - this means that the quality of our products is of utmost importance to us. If there are any issues with your product or any missing parts, please contact our Help Centre on 0800 652 6750, where a member of our team will be happy to help. (For customers based in Northern Ireland, please call 028 9050 8300)



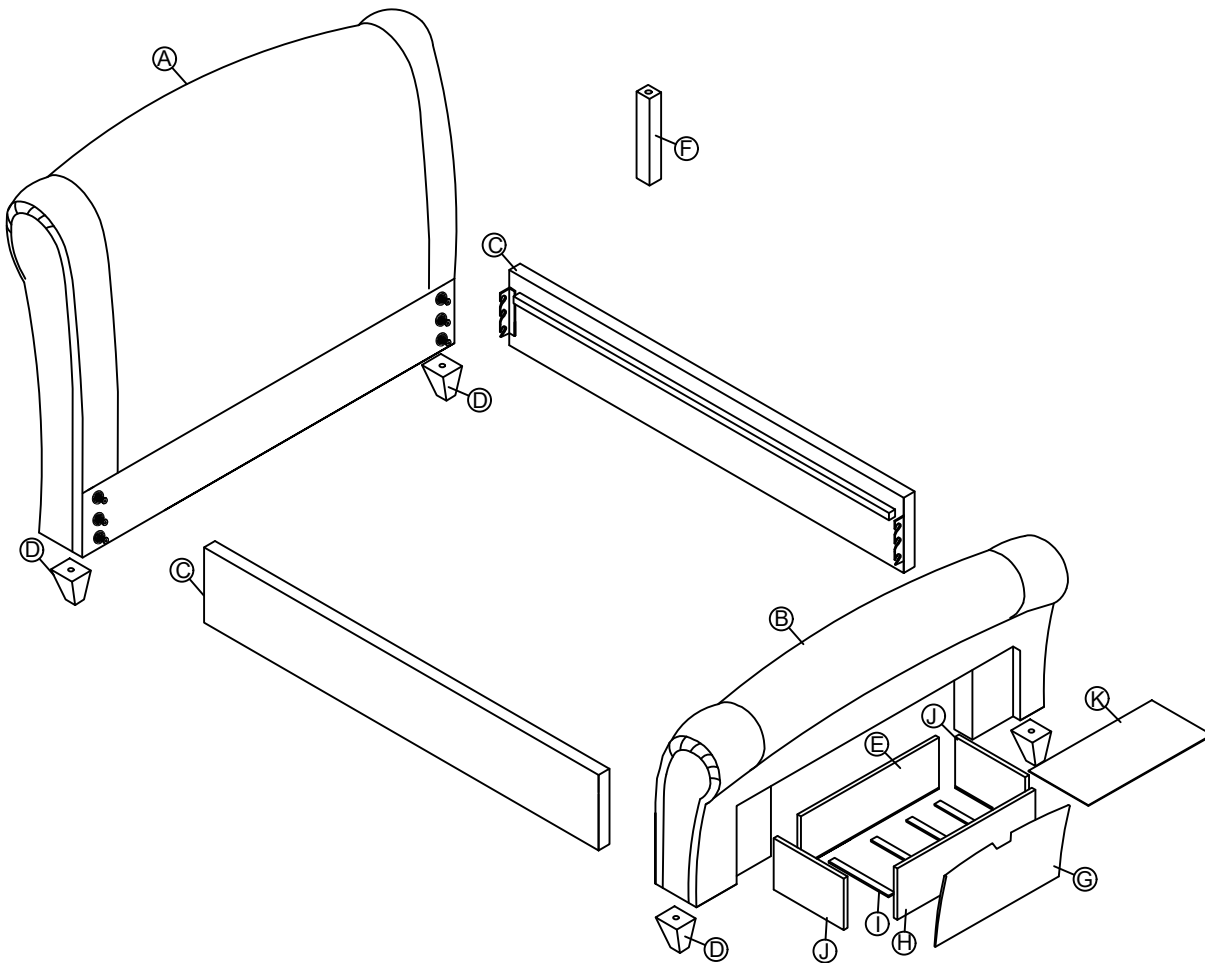
Recycling

Please ensure that packaging is disposed of in a safe and environmentally friendly way, and recycle where possible. Our assembly instructions are printed on recycled paper. Please keep your assembly instructions safe to refer back to in the future.

Parts

Important information

Please identify which base you have purchased with your bed frame as the assembly method may change. Once you have identified you have all of the relevant parts and fittings, please follow the instructions for your chosen base below;



Parts list

Ref.	Description	Qty	Box	Ref.	Description	Qty	Box
A	Headboard	1	1	G	Drawer Face Panel	1	2
B	Footboard	1	2	H	Drawer Front Panel	1	2
C	Side Panel - (Left & Right)	2	3	I	Drawer Bottom Support Rail	4	2
D	Foot of bed	4	2	J	Drawer Side Panel	2	2
E	Drawer Back Panel	1	2	K	Drawer Bottom Panel	1	2
F	Support leg	1	2				

Fittings

Please check you have all the parts listed below with your product;



1 Allen Key (for M8 bolt) x1pc



2 Bolts (M8x50mm) x4pcs



3 Bolts (M8x35mm) x 6pcs



4 Flat Washers (M8) x6pcs



5 Allen Key (for M6 bolt) x2pc



6 Bolts (M6x35mm) x6pcs



7 Sleeve Nuts x6pcs



8 Spring Washers (M6) x6pcs



9 Flat Washers (M6) x7pcs



10 Screws(3.5x60mm) x 1



11 Plastic Barrel Nuts x 24



12 Screws(3.5x50mm) x 24



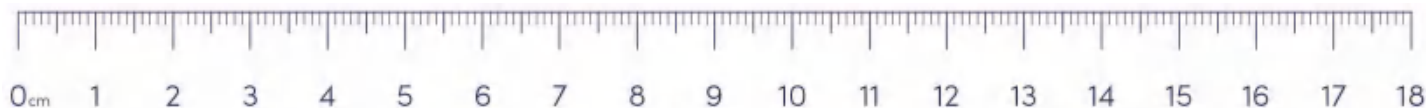
13 Drawer Wheels x 6



14 Screws(3.5x15mm) x 12



15 Felp Pad (1x25mm) x4



Tools required

Please check you have all these below :



Scissors



Tape measure



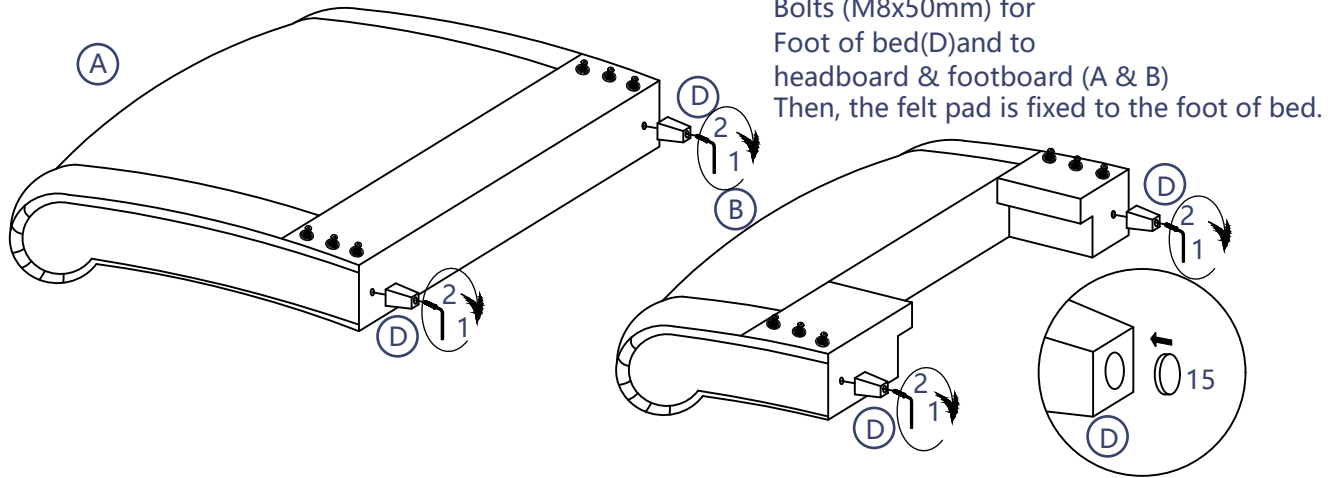
Cross head
screwdriver

1

1  for M8 bolt x1pc

2  M8x50mm x4pcs

15  Felt Pad(1x25mm) x 4

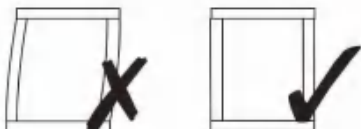
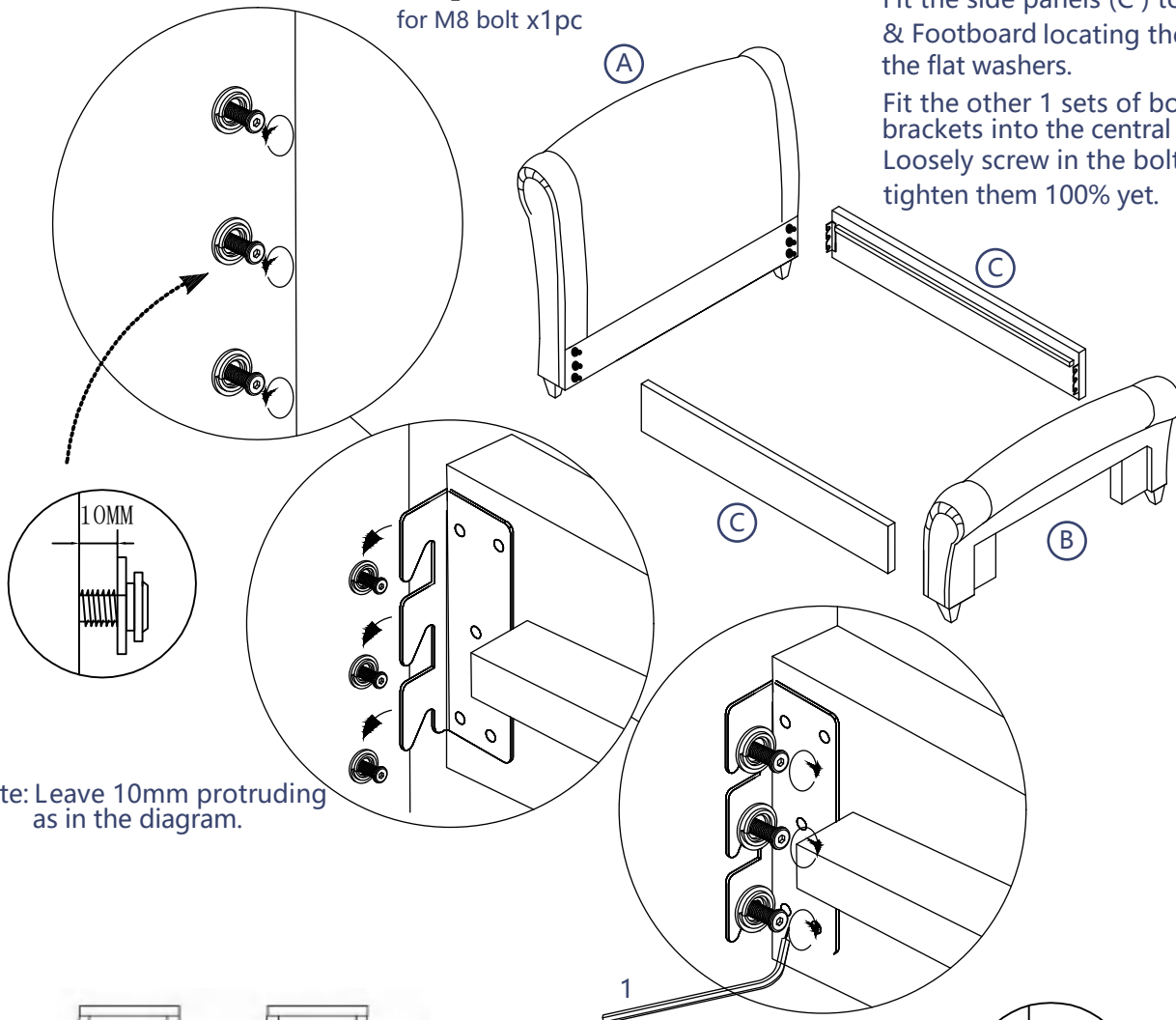


2

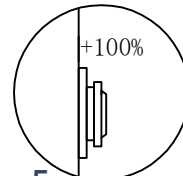
1  for M8 bolt x1pc

Loosen the pre-assembled bolts on the headboard & footboard with the allen key
Fit the side panels (C) to the headboard & Footboard locating the brackets behind the flat washers.

Fit the other 1 sets of bolts through the brackets into the central pair of holes.
Loosely screw in the bolts but do not tighten them 100% yet.



Make certain the bed is squared up as shown in the diagram then tighten all bed assembly bolts 100%.



3



for M6 bolt x2pc



M6x35mm x6pcs



Sleeve Nuts x6pcs



for M6 bolt x6pcs



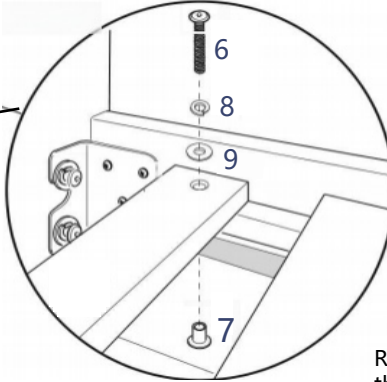
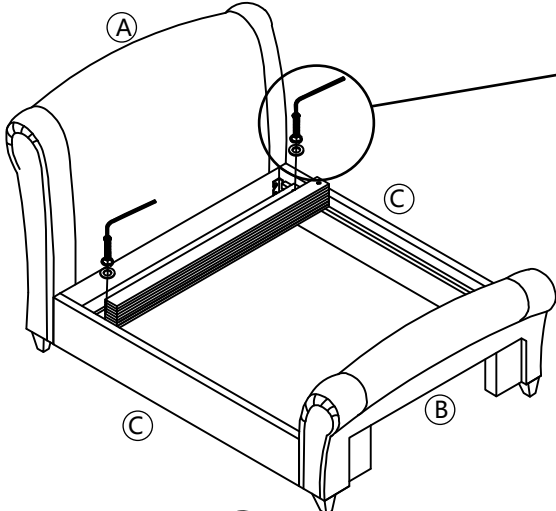
for M6 bolt x6pcs



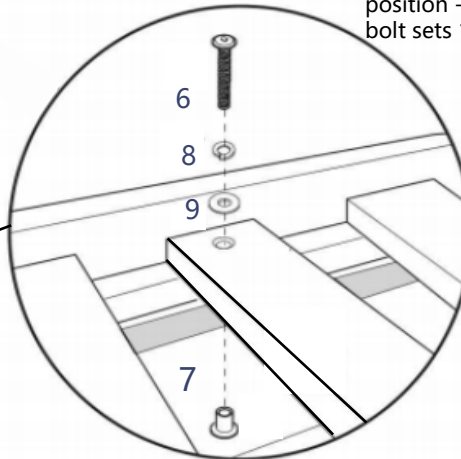
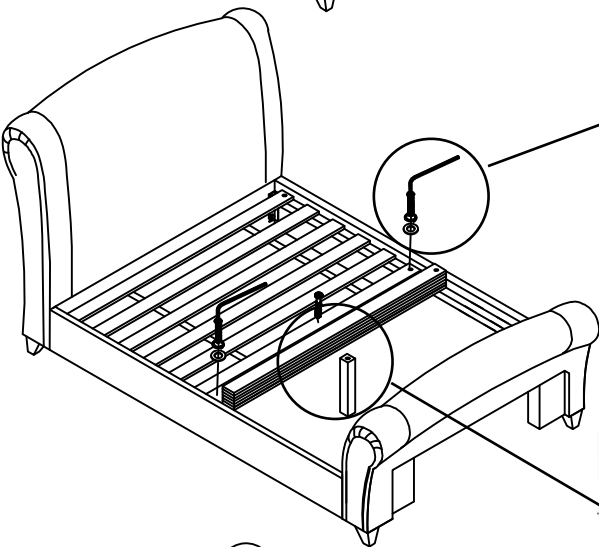
Screw (3.5x60mm) x1pc

Carefully lay slats on the metal supports on each side panel.

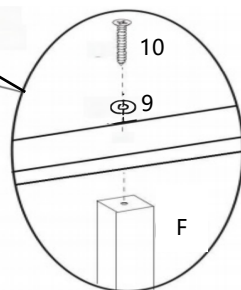
Using two bolts (6) with spring washers (8), flat washers (9) and seeve nuts(7)loosely fix one slat next to headboard.



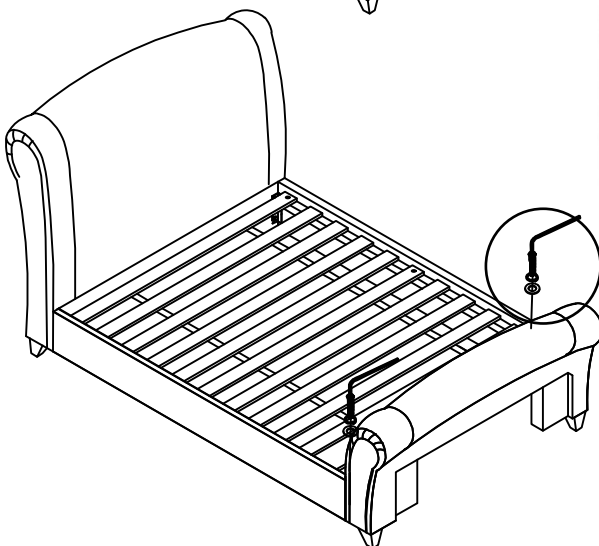
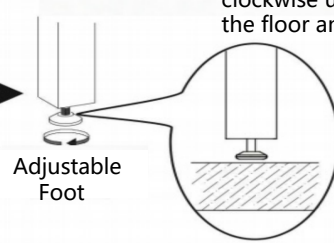
Roll out slats just over half way down the bed and using two more bolt sets, loosely bolt the central slat into position - align slats and fix all four bolt sets 100% by Allen key (5).



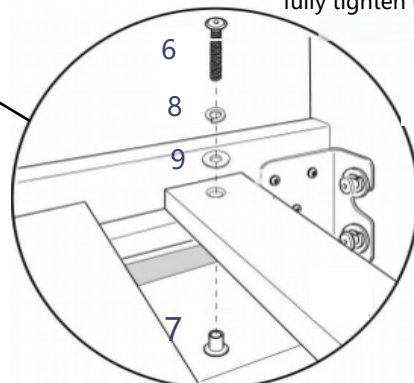
Fit centre slat with the support leg (F) using screw (10) and fat washer(9). Fully tighten using a cross-head screwdriver.



Carefully turn adjustable foot clockwise until it just touches the floor and slat is horizontal.



Rollout rest of the wooden slats and fix with last two bolt sets; fully tighten using Allen key (5).



4

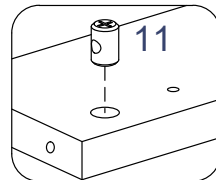
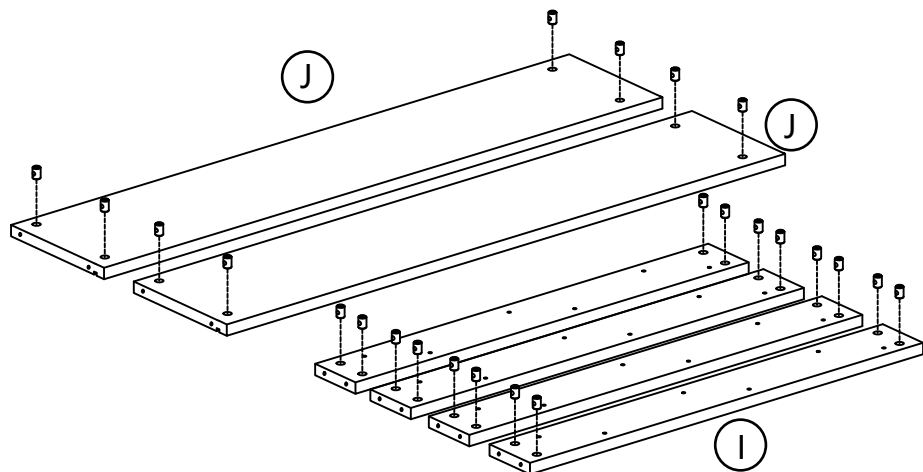
11



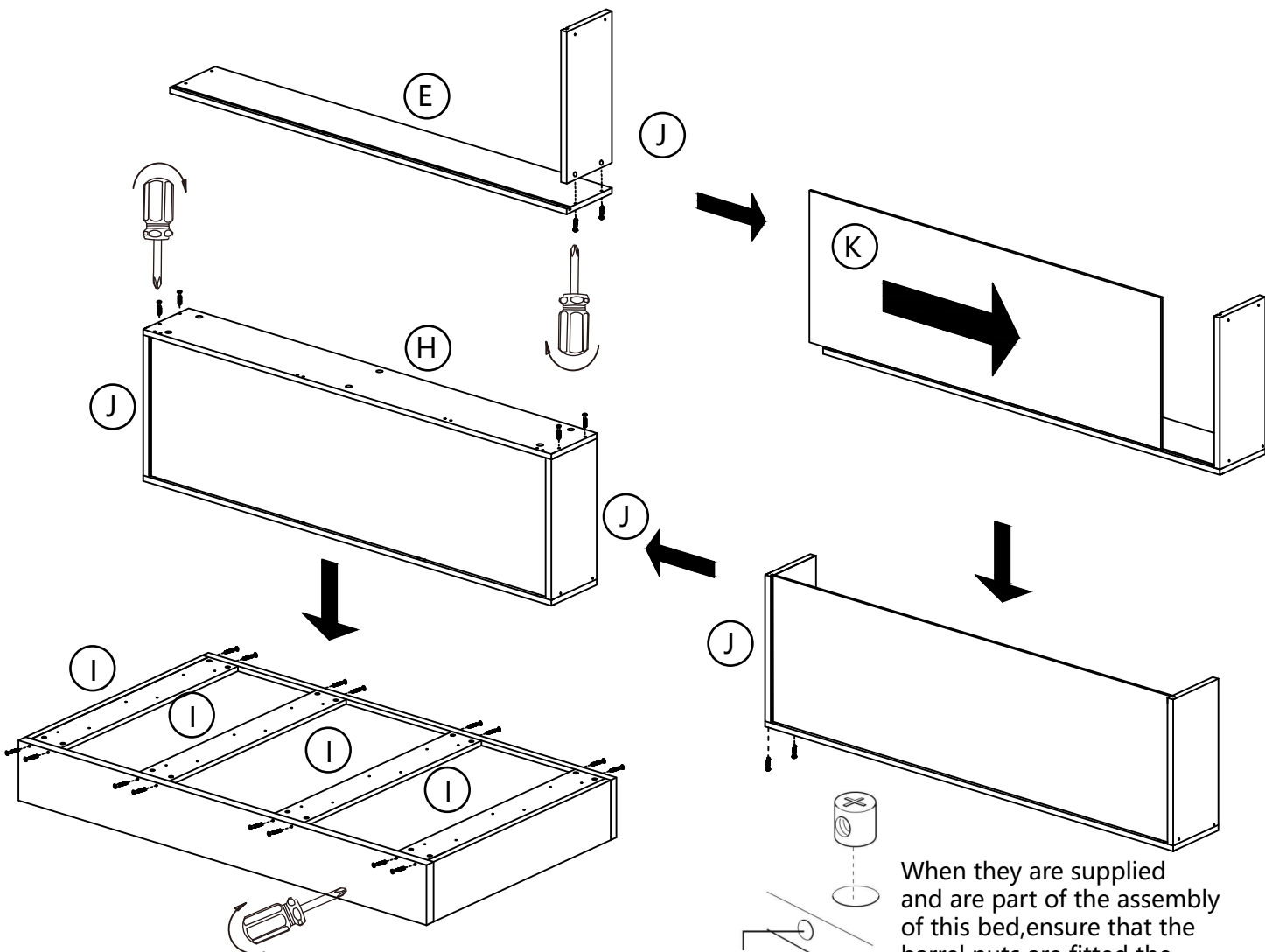
12



Plastic Barrel Nuts x 24pcs Screws(3.5x50mm) x 24pcs





IMPORTANT:
MAKE SURE WHEN FITTING THE NUTS THAT THE HOLE IS IN CORRECT ALIGNMENT WITH THE HOLE IN THE PANEL EDGE.

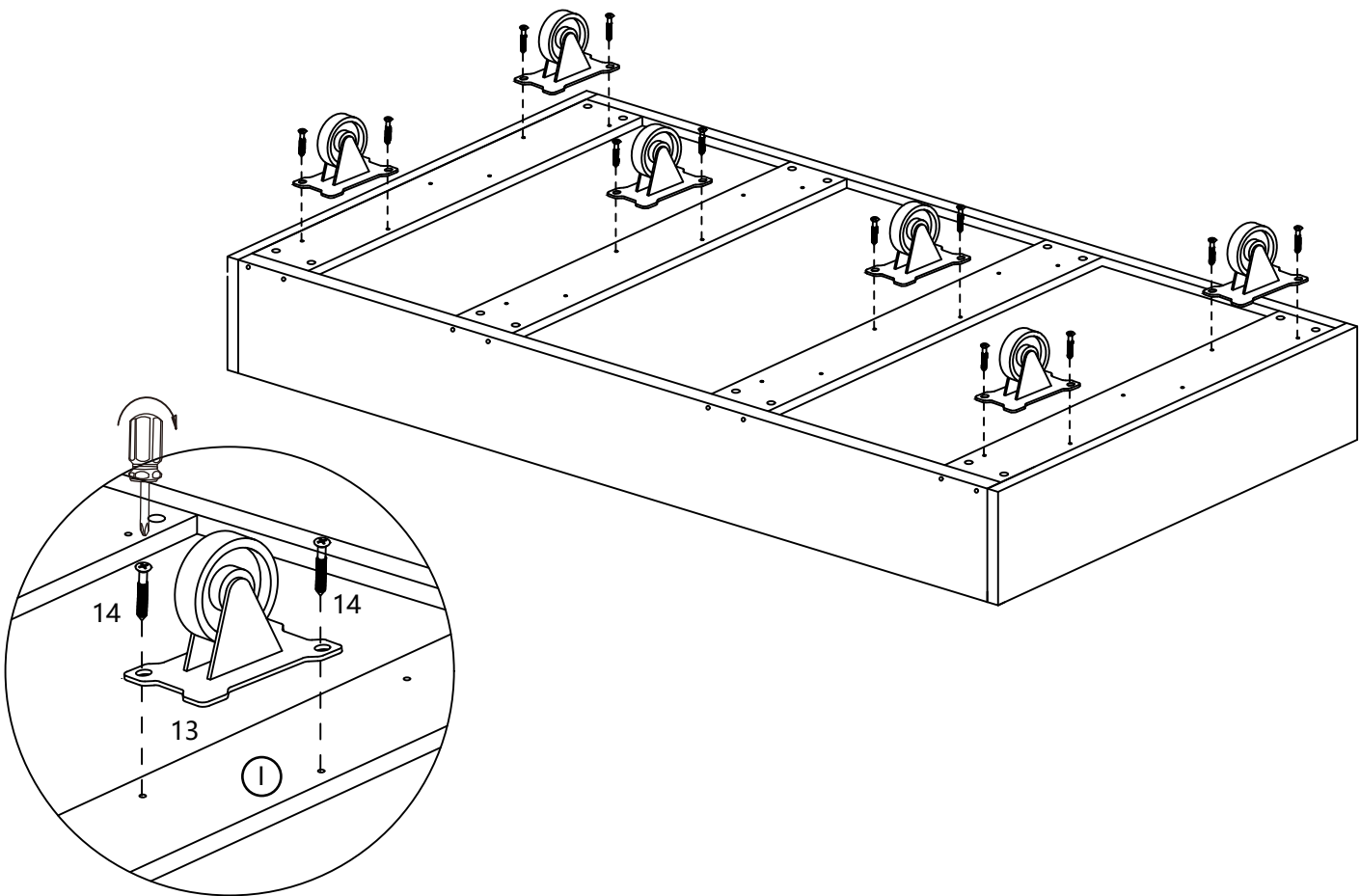


Intersecting Hole

When they are supplied and are part of the assembly of this bed, ensure that the barrel nuts are fitted the correct way so the hole in the nut is facing towards the intersecting hole in the panel.

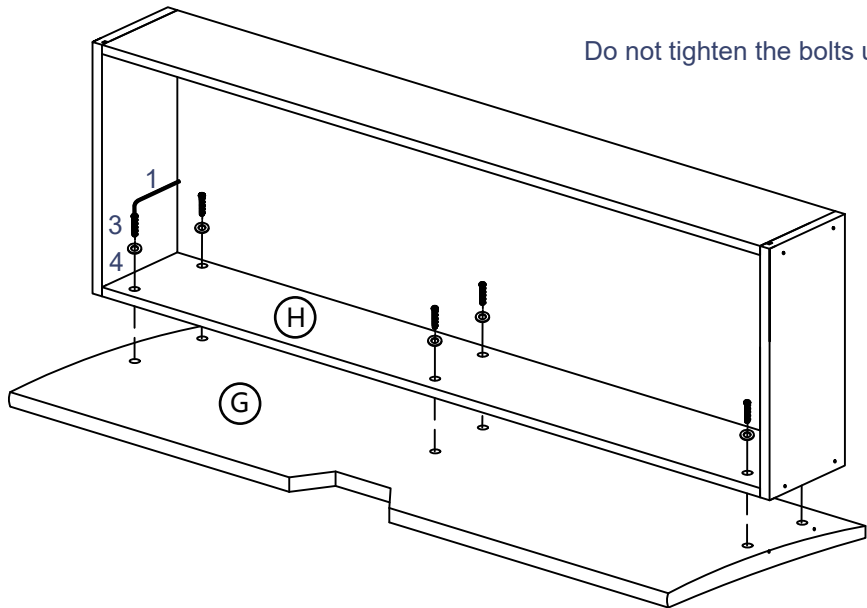
5

- 13  Drawer Wheels x 6
- 14  Screws(3.5x15mm) x12



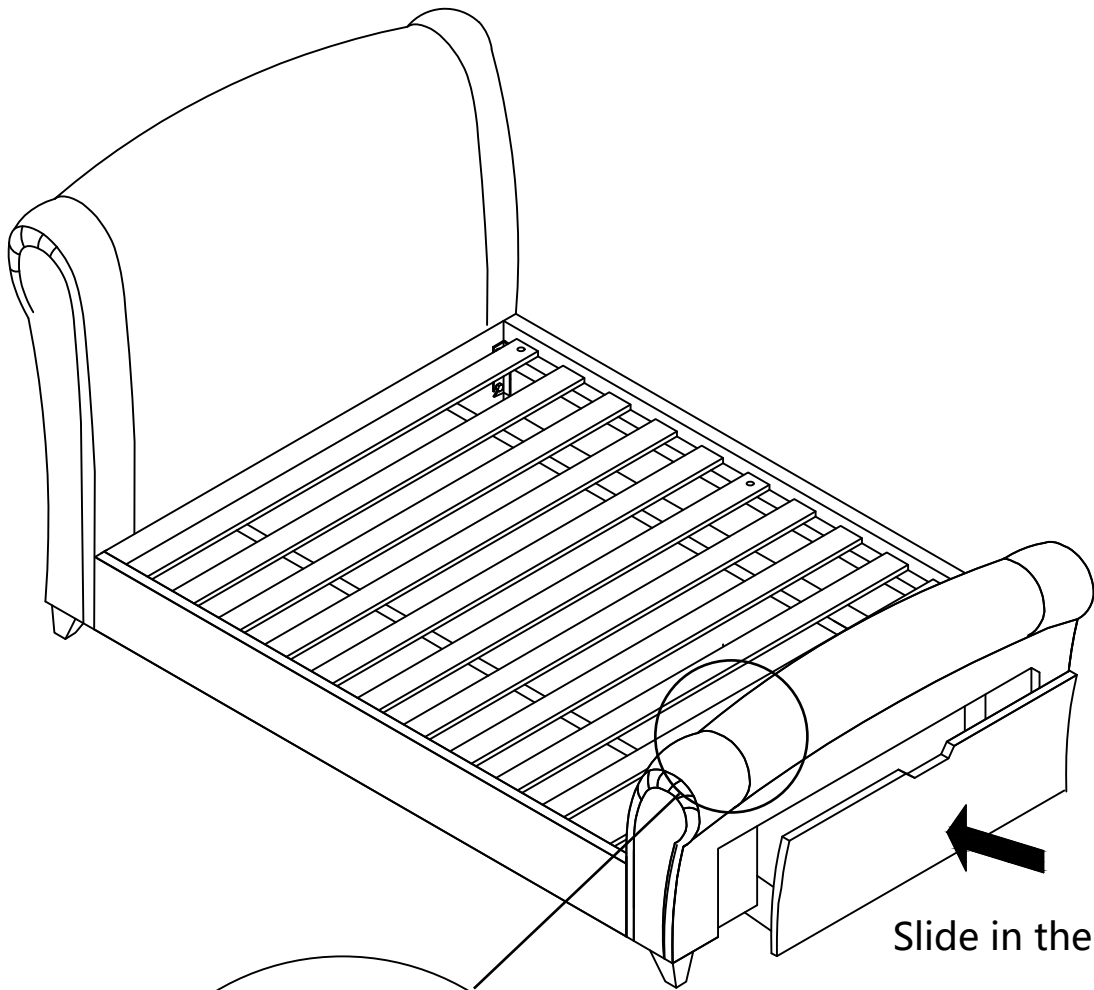
6

- 1  for M8 bolt x1pc
- 3  M8x35mm x 6pcs
- 4  for M8 bolt x 6 pcs

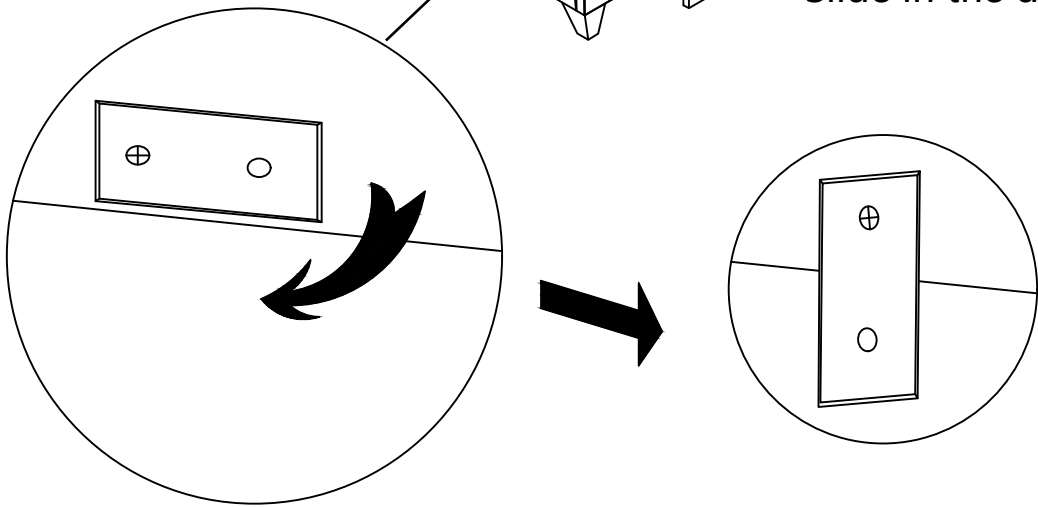


Do not tighten the bolts until all bolts are inserted.

7



Slide in the drawer first.



And then turn the drawer blocks 90 degrees after drawer is closed.

Care and maintenance

Here are some tips to keep your new bed in tip-top condition



Cleaning

To clean your new bed, we'd advise using a warm damp cloth - please do not use abrasive chemicals or bleach as this may damage the product.



Checking and moving

Periodically we recommend you check that the screws or fixtures haven't become loose, over time. To move your new bed, we recommend lifting it where possible, as dragging or pushing it could cause damage to your flooring.



Wood

Please note each of our wooden pieces are unique, meaning that markings and shade can vary slightly between beds. Over a period of time, the wood might lighten or fade slightly due to light exposure.



Fabric

Please note depending on the lighting, positioning and surroundings of your room, the shade of the colour can sometimes appear slightly different. Over a period of time, the colour might lighten or fade slightly due to light exposure.



Metal

Metal tends to be more resilient to everyday wear and tear. We recommend to gently dust your metal furniture and keep it dry to maintain its look.

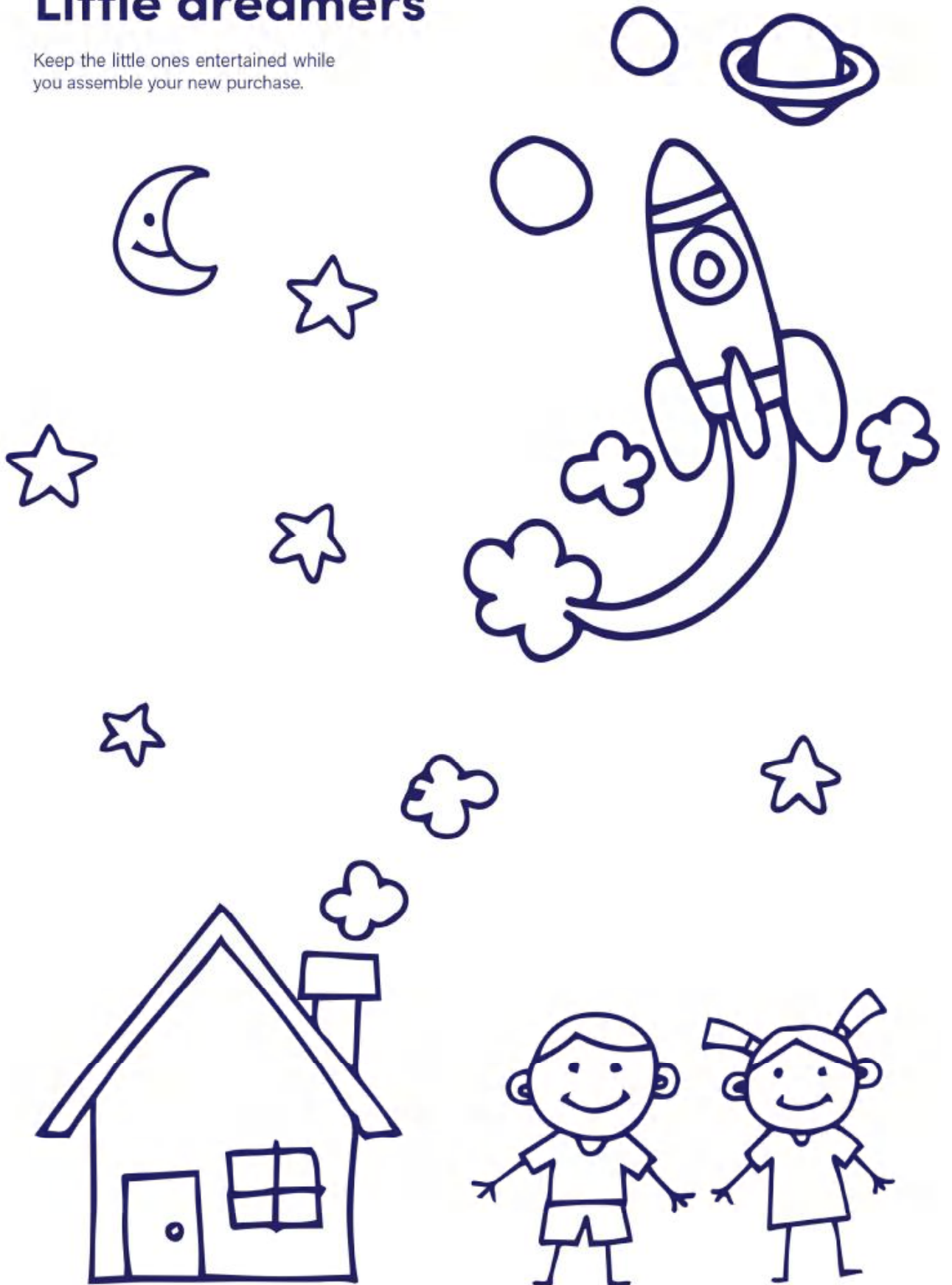
Thank you for shopping with us - we hope you have a great night's sleep

Sleep well



Little dreamers

Keep the little ones entertained while you assemble your new purchase.



Dreams

Love your bed