



## Deacon bed

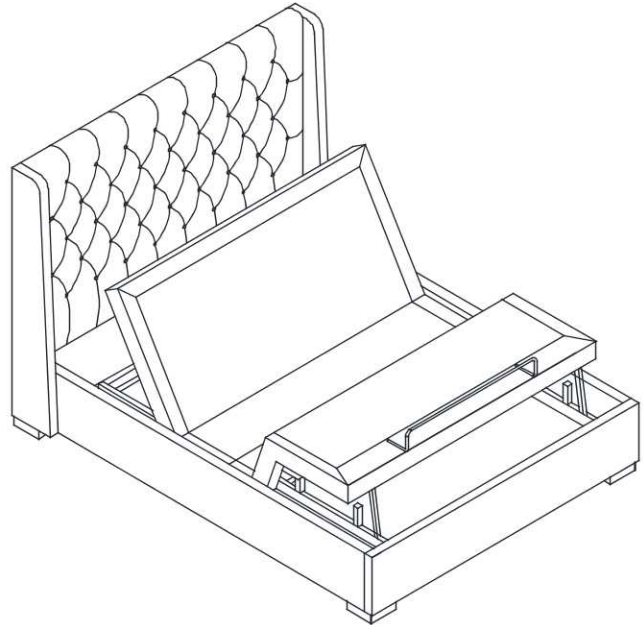
# Assembly Instructions

Minimum No.of people recommended to assemble this product:

2

Approx assembly time:

1/2 hours



BEFORE STARTING ASSEMBLY PLEASE REFER TO THE OWNERS MANUAL SUPPLIED WITH YOUR SLEEPMOTION 200i BED BASE AND FOLLOW THE INSTRUCTIONS TAKING NOTE OF ANY SAFETY PRECAUTIONS OR OPERATIONAL SAFETY REQUIREMENTS OF THE INSTALLATION. BUILD THE BED BASE FIRST USING ONLY THE EIGHT LONGER LEGS 6"(15cm),SEE STAGE 1.IMPORTANT: PLACE THE BASE IN FINAL POSITION IN THE ROOM OF USE, CONNECT THE POWER AND CHECK THE OPERATION THEN STEP BY STEP FOLLOW THE BED ASSEMBLY INSTRUCTIONS BELOW, TO BUILD THE BED AROUND THE SLEEPMOTION 200i BED BASE

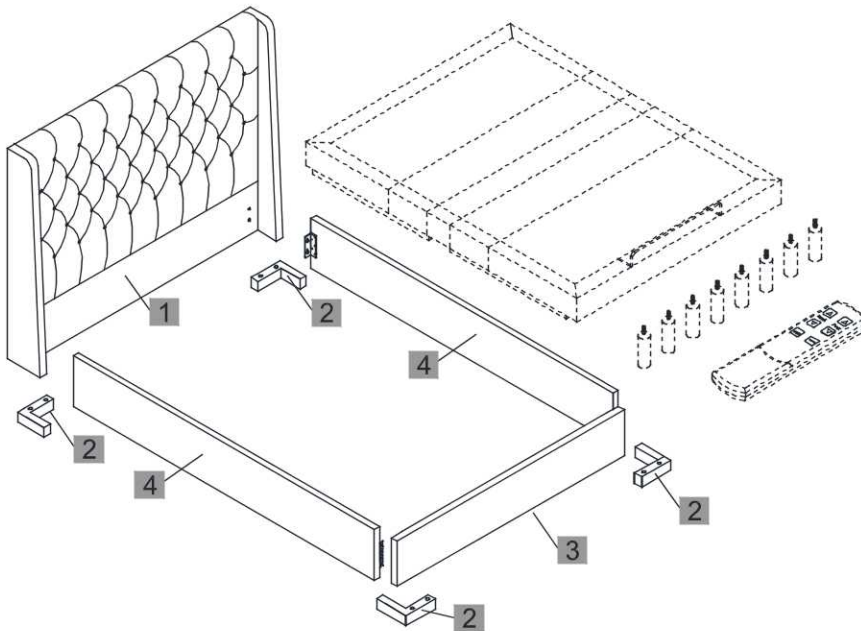
**Before you Start, here are some helpful advices.**

1. We suggest you spend a short time reading through this leaflet and then follow the simple step by step instructions.
2. If you follow the instructions carefully the end result should be worth the effort.
3. Do not discard any of the packaging until you have checked that you have all the parts and the pack of fittings.
4. Assemble this product on a carpet.
5. To ensure an easier assembly, we strongly advise that all fittings are only finger tightened during initial assembly. Only upon completion of the. Assembly should all fixing points be fully tightened.
6. We recommend a periodic check on all fixing points to make sure they remain fully tightened.
7. Keep glue and fittings out of childrens reach.

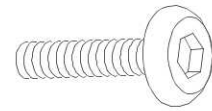
In the unlikely event that this product has missing or damaged parts, please call 03442 920000 to obtain spares

# PARTS

# Fittings

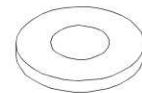


**A**



**M6x35mm x 8 pcs**

**B**



**M6 Washer x 8 pcs**

**C**



**M4Allen key x 1pcs**

**D**



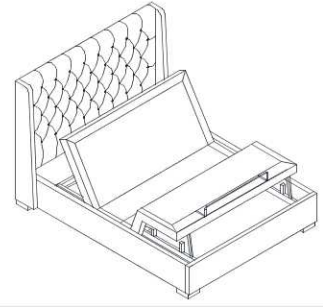
**M5Allen key x 1pc**

## **NO. PART LIST**

## **QTY**

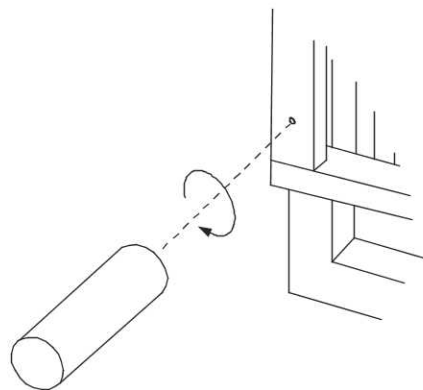
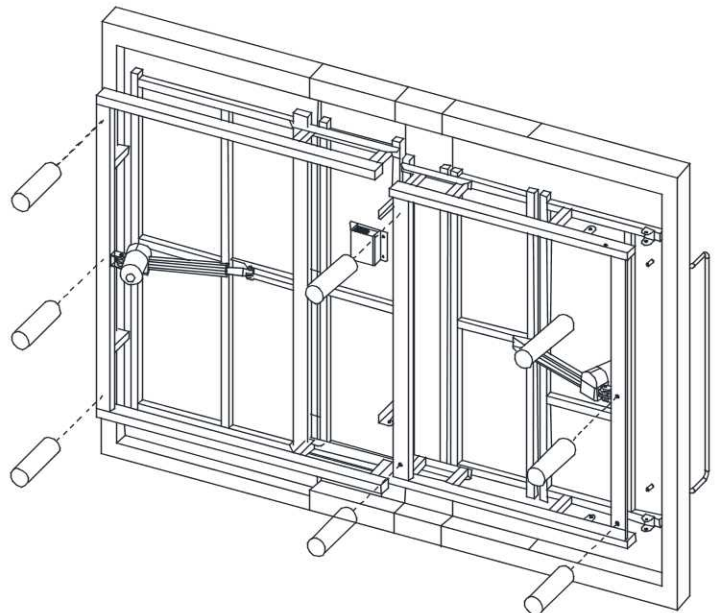
(1)	HEADBOARD	1
(2)	WOODEN FEET	4
(3)	FOOTBOARD	1
(4)	SIDE RAILS	2

# ASSEMBLY

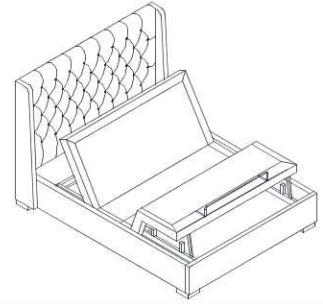


(1). Screw in the Legs and put Bed Base in the Position in which it will be used

STEP 1



# ASSEMBLY

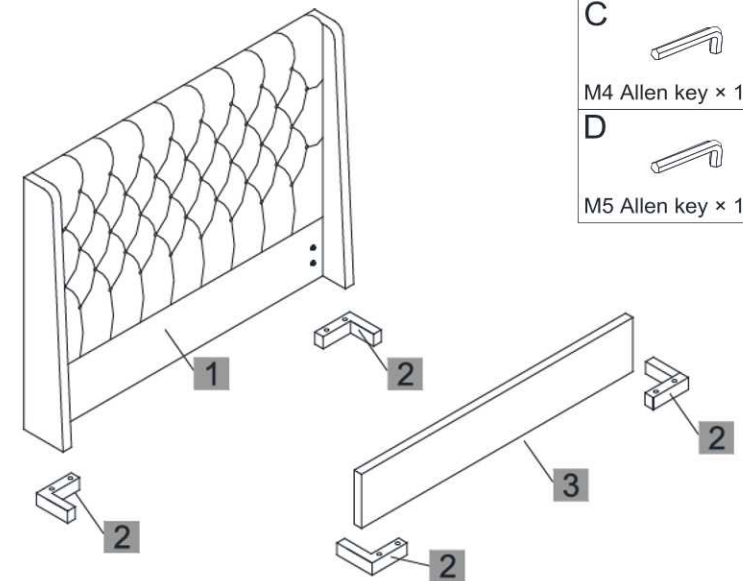






(1). Attach the Wooden Feet to the headboard and footboard by using bolt (A) 、 washer (B) and Allen Key (C)

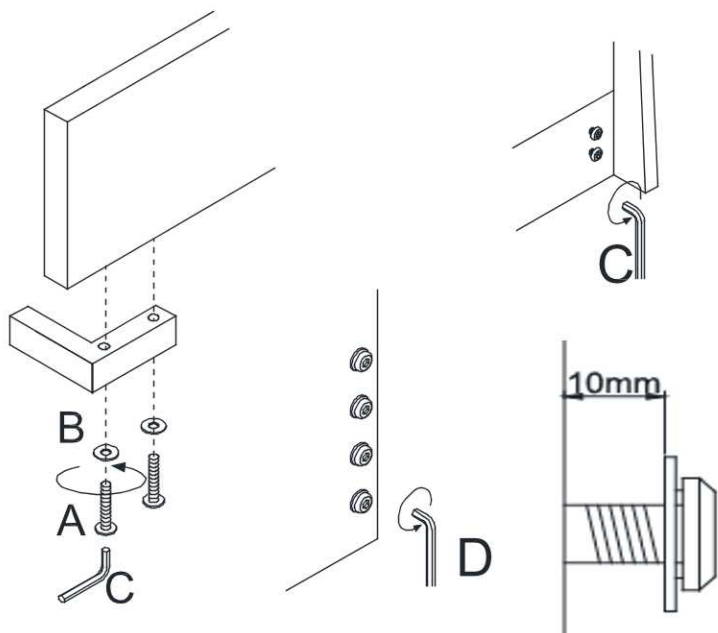
(2). Loosen the pre-assembled bolts on the headboard and footboard with the Allen Key(D)

Note: Leave 10 mm protruding as in the diagram

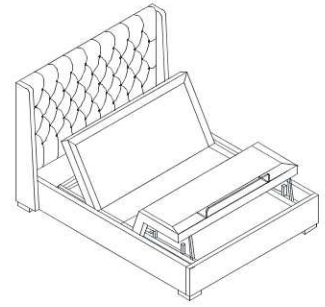
## STEP 2



- A  M6×35mmx8pcs
- B  M6 Washer x8pcs
- C  M4 Allen key × 1pcs
- D  M5 Allen key × 1pcs

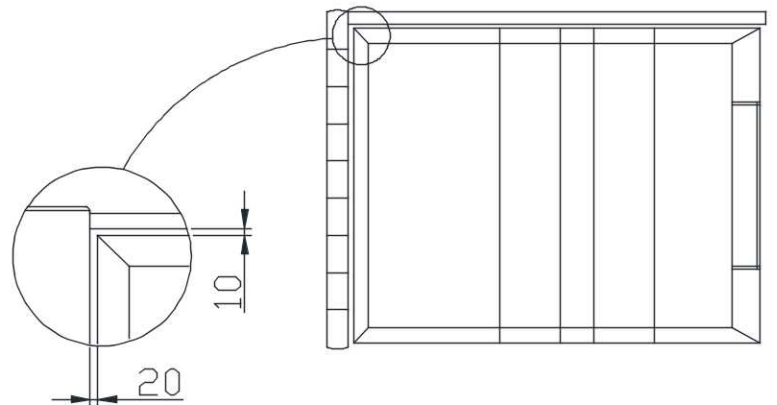
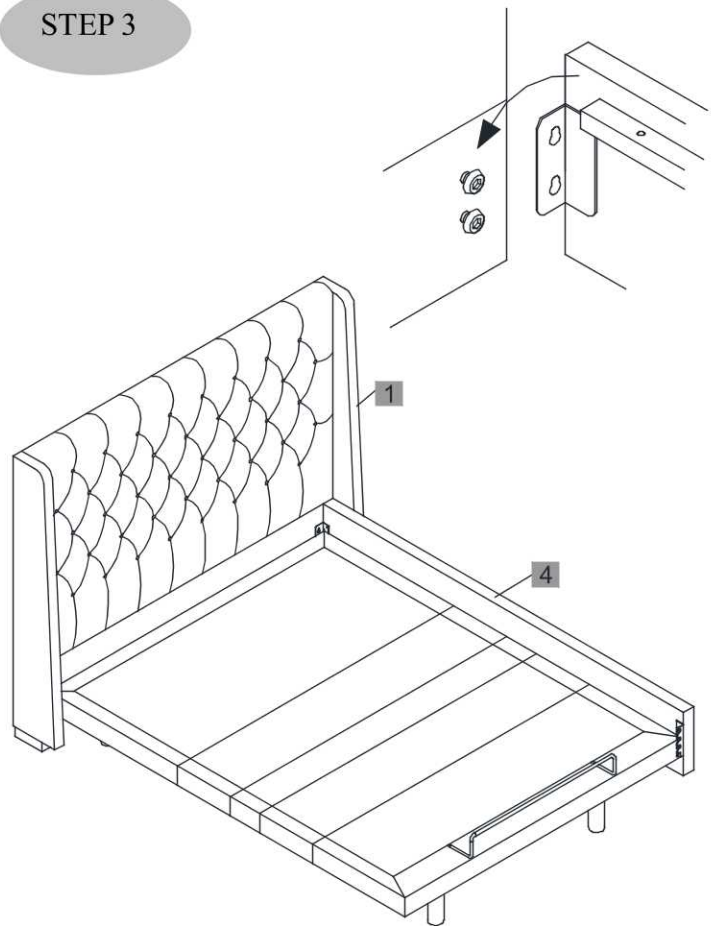


# ASSEMBLY

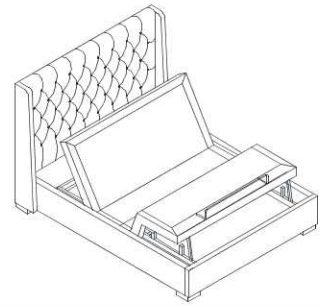


(1). Assemble Head End and one Side Rail (4)

STEP 3

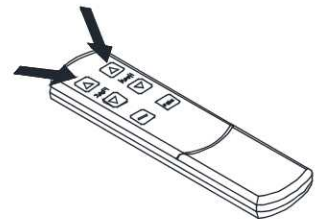
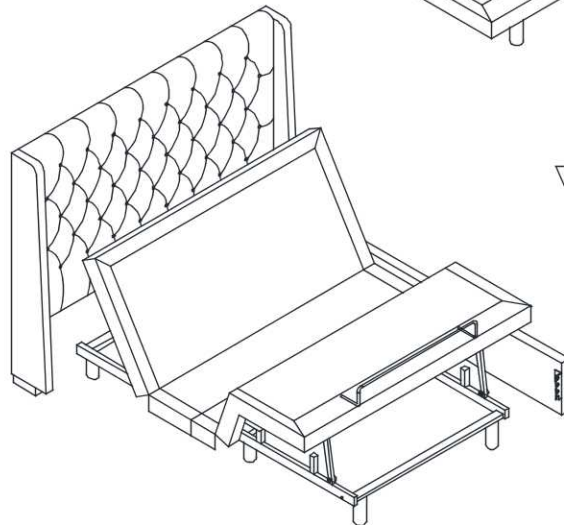
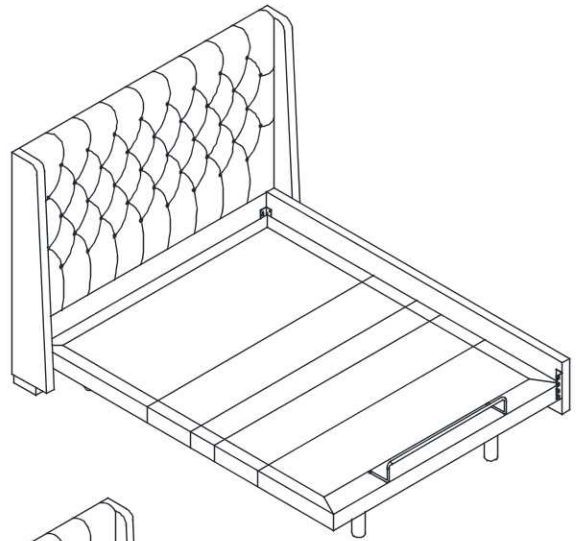


# ASSEMBLY



Raise the Head and Foot Ends of the Bed Base

STEP 4

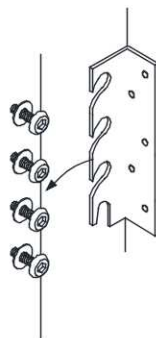
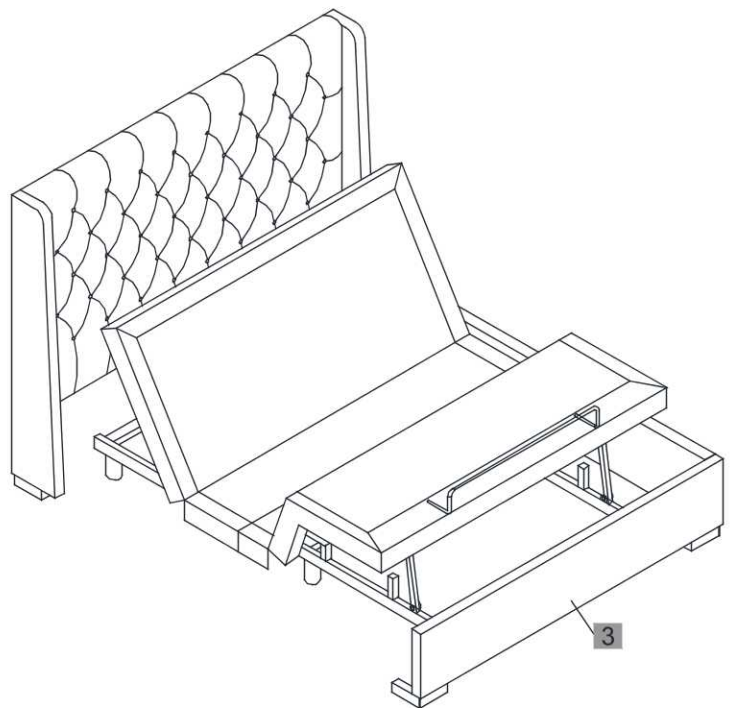


# ASSEMBLY

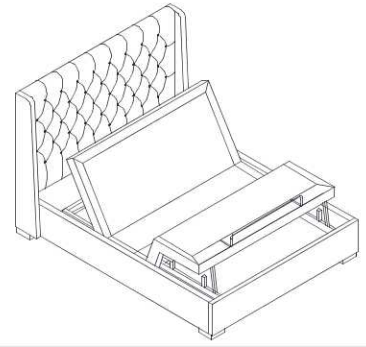


Position Foot End and connect Side Rail brackets.

STEP 5

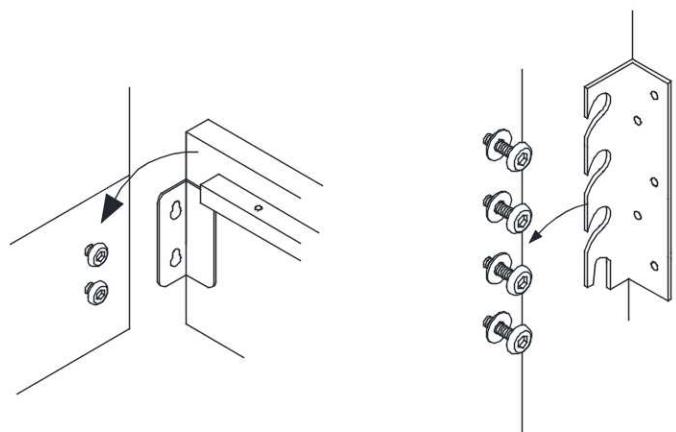
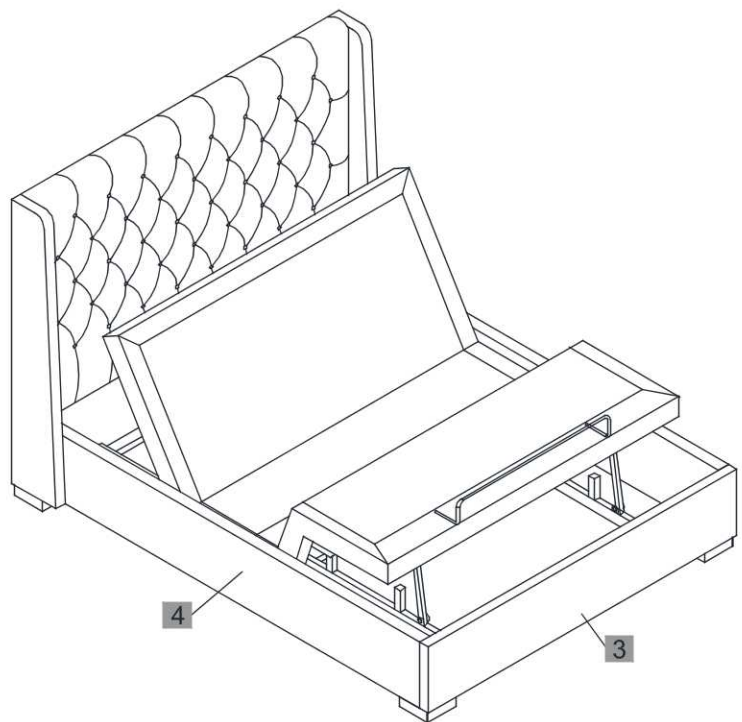


# ASSEMBLY



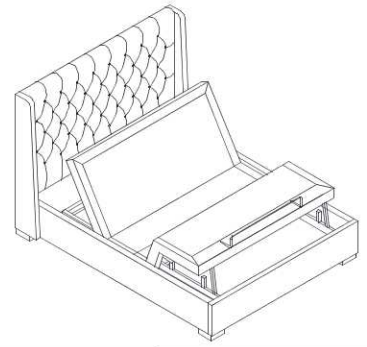
Make sure everything is working properly then fit second side rail (4)

## STEP 6





# ASSEMBLY



MAKE CERTAIN THE BED IS SQUARED UP .AS SHOWN ON THE RIGHT.

Square up the Bed then tighten Bolts

## STEP 7

C

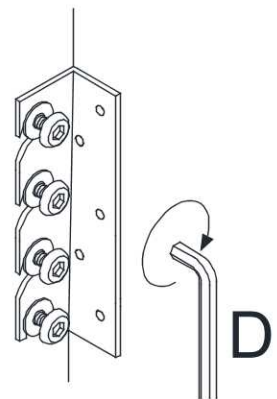
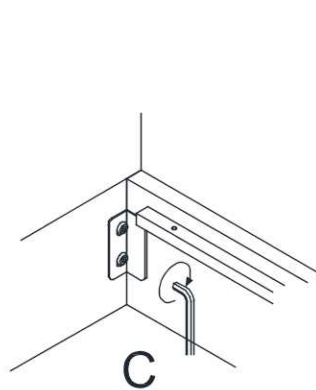
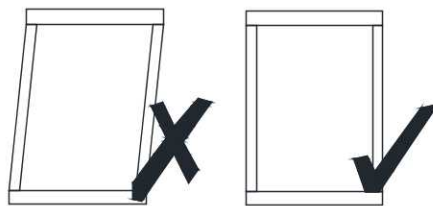
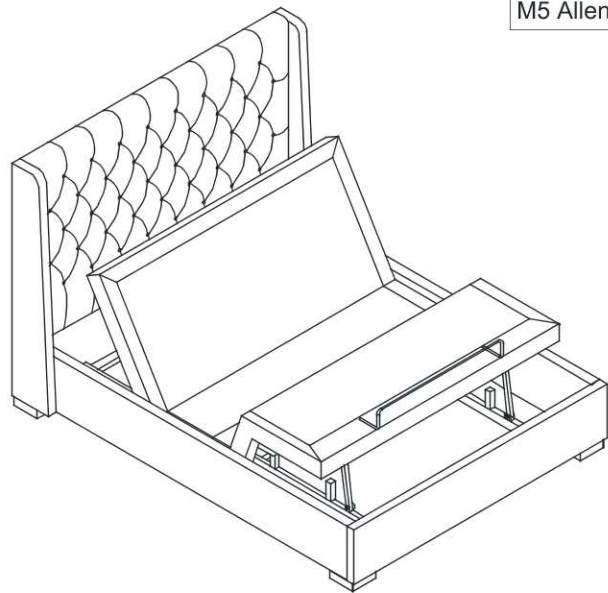


M4 Allen key × 1pcs

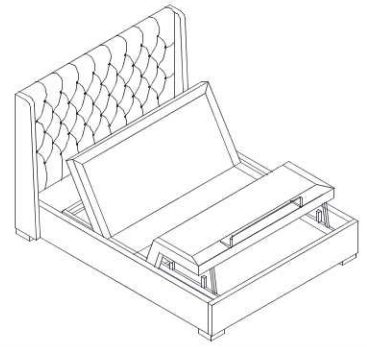
D



M5 Allen key × 1pcs



# ASSEMBLY



Make Certain Gaps around the Bed Base are correct

STEP 8

