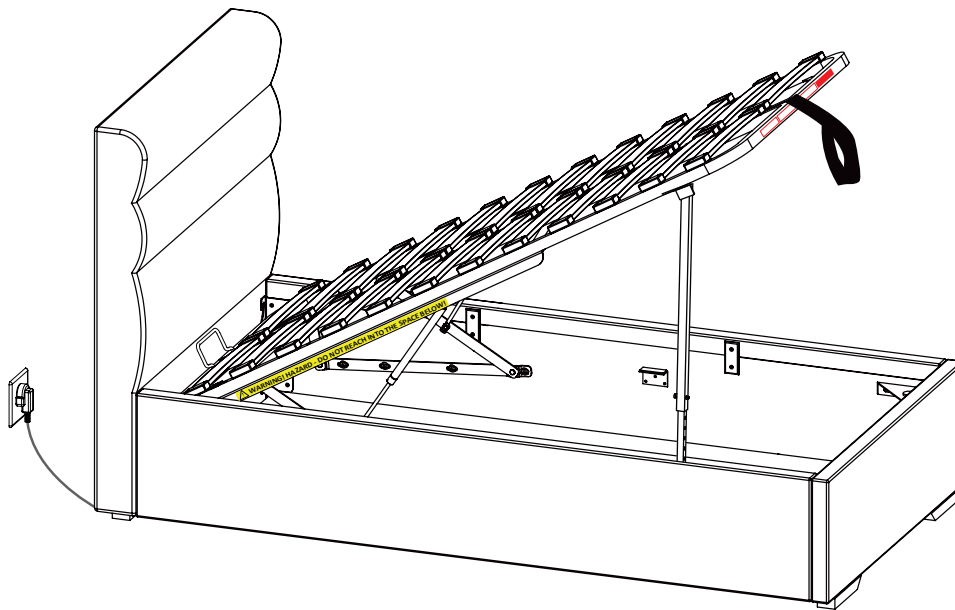


# DAWSON OTTOMAN SOUND BED with O.S.B.

SINGLE SIZE



## IMPORTANT OTTOMAN SAFETY WARNINGS

- **IMPORTANT - READ CAREFULLY - RETAIN FOR FUTURE REFERENCE**
- **You must ensure that the mattress is on the bed frame before operating the lift mechanism - Failure to do so could result in injury.**
- **Keep hands clear of the mechanism when opening or closing the ottoman.**
- **Beware of entrapment - Never reach in through the mechanism to access the storage area.**
- **Always ensure that the ottoman is FULLY opened before accessing the storage area.**
- **Do not exceed the maximum weight as specified in the table below:**

Bed	Bed Size	Min Weight (kg)	Max Weight (kg)
Dawson	Single	15	40



1.5 hour approx  
assembly time

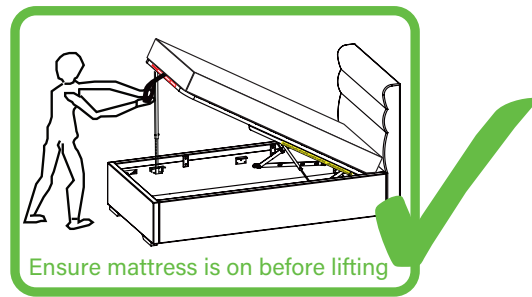
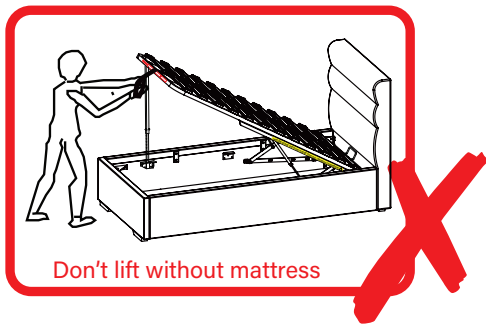


Two person  
assembly

MK2 230329

# Dreams

## IMPORTANT OTTOMAN SAFETY WARNINGS Cont.



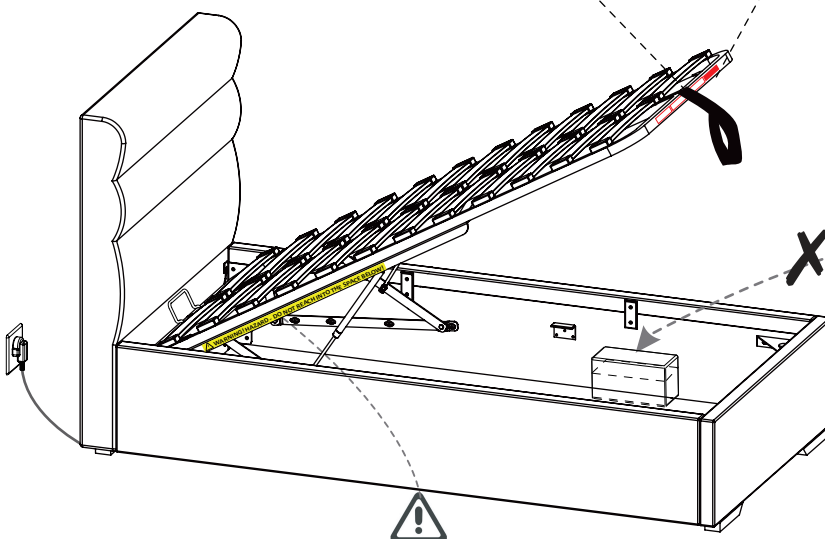
- Use caution when operating, always use the handle when lifting.
- Note: This bed uses a pressurised mechanism.
- To be operated by adults only.
- Please ensure that children and pets are kept away from the bed when operating the lift mechanism.
- Keep children and pets away from the storage area.
- Do not overload the internal storage base.
- Do not stand inside the internal storage area of the bed.
- Before removing the mattress secure the frame to ensure it does not open unexpectedly.
- Do not attempt to lie on the mattress when the ottoman is in the raised position.
- When lifting the ottoman, remove all bedding except the fitted sheet.

**SAFETY WARNING**  
PLEASE DO NOT ALLOW CHILDREN  
OR PETS INSIDE THE STORAGE AREA.

**SAFETY WARNING**  
PLEASE BE CAREFUL WHEN LIFTING.  
ONLY LIFT WITH MATTRESS ON TOP.  
TO BE OPERATED BY ADULTS ONLY.

**WARNING: ONLY USE THE HANDLE TO LIFT &  
LOWER THE BED FRAME TO  
AVOID TRAPPING FINGERS!**

**TO AVOID ACCIDENTS**  
TO ACCESS THE STORAGE AREA THE OTTOMAN FRAME  
MUST BE FULLY OPENED AND THEN FULLY CLOSED AFTERWARDS



Note: Be very careful what you store under the bed - the top of an item like a suitcase or a box must not touch the slats or they may be damaged. Maximum storage height is 24.5 cm.

**⚠ WARNING! HAZARD-DO NOT REACH INTO THE SPACE BELOW!**

# Ottoman Beds - Important Safety Features

Our aim is always to give you the best experience and to ensure every effort has been made to guarantee your comfort and safety. Please take time to look at these instructions as they will help remind you how to operate your ottoman bed safely.

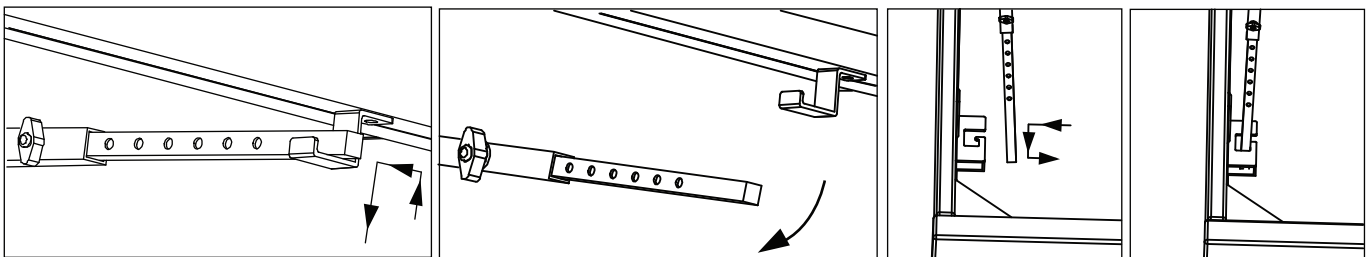
**Here's a few things you need to remember;**

- ✓ **Pistons are already assembled in their correct orientation - this improves piston performance and durability.**
- ✓ **"Break in" the piston seals on first use by raising & lowering the platform at least five times.**
- ✓ **Recommended mattress weights - do not exceed the maximum relevant weight specified on the Assembly Instruction.**
- ✓ **Ottoman support bar - always engage the support bar when accessing the ottoman storage area.**

Read all the instructions before using your Ottoman bed-frame and save the instruction booklet for future reference.

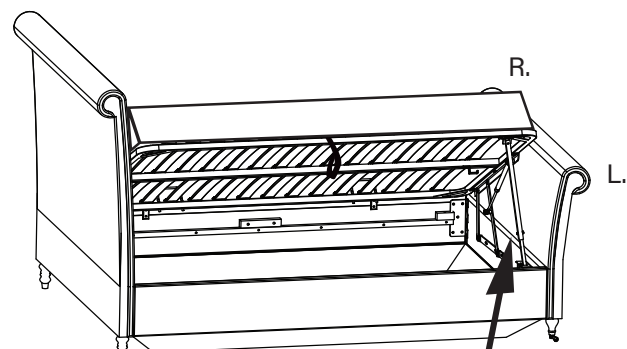
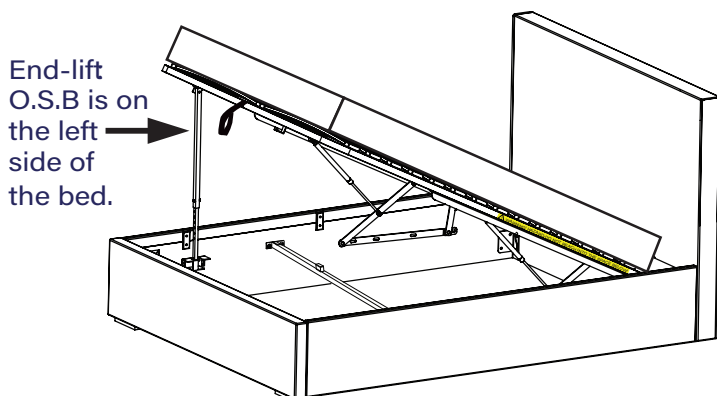
## Ottoman Support Bar (O.S.B.)

**For optimal safety during operation, always ensure the O.S.B. is engaged when accessing the ottoman storage area.**



1. Always raise the ottoman slat-frame to its highest position before using the storage area.  
Locate the end of the O.S.B and insert into the fixed retaining bracket on the bed frame.
2. When you are ready to lower the ottoman platform, return the O.S.B to its original parking position.
3. Always ensure that the O.S.B is in position when the ottoman is open, this prevents injury, or damage to the product.

## Location of the O.S.B



Side-lift: O.S.B is on either the left side or right side of the footend.

## WARNING! Risk of Entrapment

- The pistons on the ottoman bed frame can support a maximum load (evenly spread) as indicated in the Minimum and Maximum load table, on Page 1 of this Assembly Instruction.
- Overloading the sleeping platform may contribute to damage to the product resulting in potential serious injury.
- Do not sit on the mattress whilst the platform is in motion or is in the raised position.
- Users should only get in and out of bed when platform is in the flat (horizontal) position.

# Thank You

Dear Customer, Thank you for choosing to purchase your bed from Dreams - we hope it brings you your best ever night's sleep. Before you begin building your bed, please take a moment to read through the instructions and make sure that you've got all the relevant parts listed on the following pages.



## Assembly tips

Before you begin, it's best to identify all parts and fittings to build your bed. We advise laying these out on the floor to check you have everything, and familiarising yourself before building.



## Top tip

We recommend that you build your new bed in the room you'd like it to be located - this will help prevent any risk of damage to your newly built bed whilst moving it.



## Safety and care

It's really important to ensure children and animals are kept away from the assembly area, as there are small components used in this bed which could present a choking hazard. All plastic and wrapping materials should also be kept away from children and animals to prevent any risk of suffocation. To keep your little ones busy, there is a colouring page inside the back cover.



## Help and support

At Dreams, it's our mission to give the whole nation a great night's sleep - this means that the quality of our products is of utmost importance to us. If there are any issues with your product or any missing parts, please contact our Help Centre on 0800 652 6750, where a member of our team will be happy to help. (For customers based in Northern Ireland, please call 028 9050 8300)



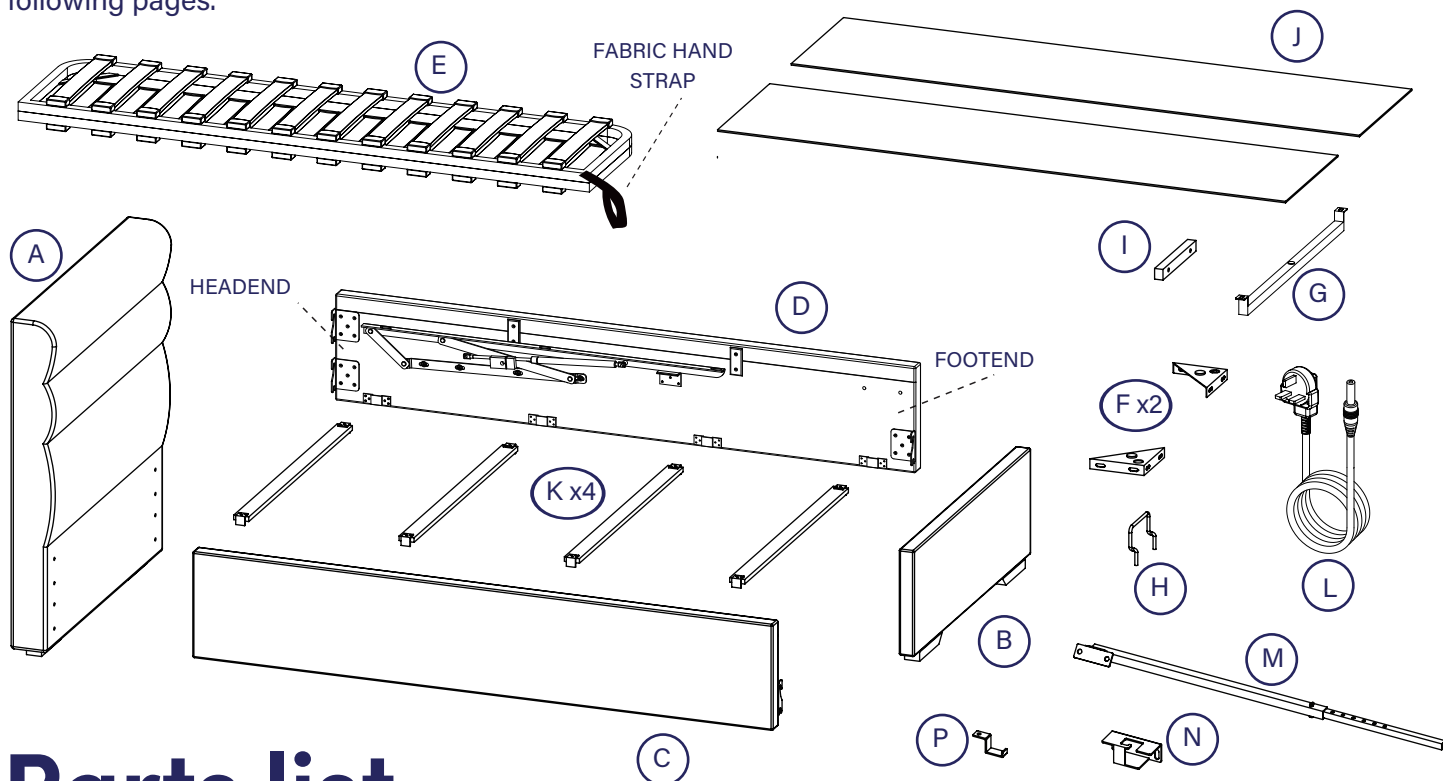
## Recycling

Please ensure that packaging is disposed of in a safe and environmentally friendly way, and recycle where possible. Our assembly instructions are printed on recycled paper. Please keep your assembly instructions safe to refer back to in the future.

# Parts

## Important information

The bed you have purchased comes with an Ottoman lift up base, please follow the instructions below in the current order. Before you begin building your bed, please take a moment to read through the instructions and make sure that you've got all the relevant parts listed on the following pages.

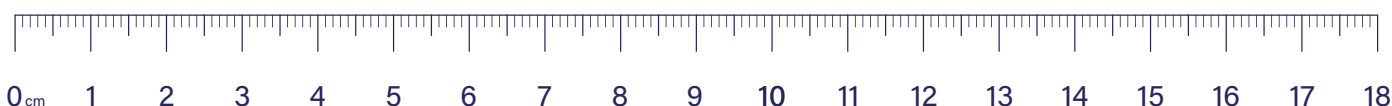


## Parts list

Code	Description	Qty	Box	Code	Description	Qty	Box
A.	Headboard	1	1	I.	Slat frame support rail	1	3
B.	Footboard	1	3	J.	Storage base boards	2	3
C.	Side rail - left	1	2	K.	Base board support rails (wood)	4	3
D.	Side rail - right	1	2	L.	Transformer Power Lead - 2mt	1	3
E.	Metal Slat Frame	1	3		Ottoman support bar PACK (O.S.B.)		
F.	Angled corner brackets	2	3	M.	Ottoman support bar	1	3
G.	Cross bar	1	3	N.	Fixed retaining bracket - side rail	1	3
H.	Mattress stopper	1	3	P.	Parking bracket - slat-frame	1	3

## Stereo Sound System

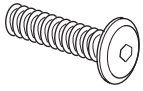


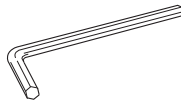
The Dawson Sound Bed is fitted with a 2.0 stereo speaker system mounted in the headboard. With the hardware kit packed in Carton 2, one shall find the Transformer power lead in a box labeled (L); this is the part number of the item. Please retrieve this and put on one side. The electrical connection should be done last so assemble the bed and then follow Stage 14.





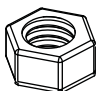

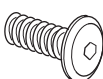



# Fittings

Please check you have all the parts listed below with your product:



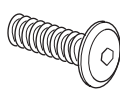
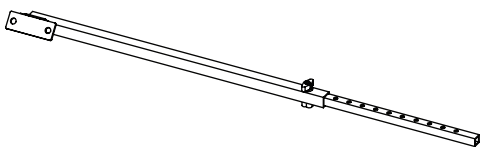
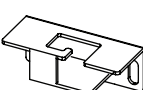
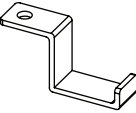
## Hardware needed for fixing wings to headboard and assembling the bed Packed in headboard pack 3 - hardware pack (A)

<p>a x20</p>  <p>Bolts (M8x30mm) for fitting side rails (C&amp;D) to headboard &amp; footboard (A&amp;B)</p>	<p>b x20</p>  <p>Spring washer for M8 bolts</p>	<p>c x20</p>  <p>Flat washer for M8 bolts</p>	<p>d x1</p>  <p>Allen Key for M8 bolts</p>
---	--	--	---

## Hardware needed for fitting metal slat frame, Packed in side rail pack 3 - hardware pack (E)

<p>b x12</p>  <p>Spring washer for M8 bolts</p>	<p>c x20</p>  <p>Flat washer for M8 bolts</p>	<p>e x6</p>  <p>Nut for M8 bolts</p>	<p>f x1</p>  <p>Spanner for M8 nuts</p>	<p>g x6</p>  <p>Bolts (M8x20mm) for fitting metal connection plates (h) and cross bar (G) to metal slat frame (E)</p>
<p>h x2</p>  <p>Metal Connection Plates</p>	<p>i x2</p>  <p>Flanged lock-nuts (M8) for gas-lift pistons</p>	<p>j x8</p>  <p>Bolts (M8x50mm) for fitting metal slat frame (E) to gas-lift mechanisms &amp; fitting slat frame support rail (I) to footboard (B)</p>		

## Hardware needed for fixing ottoman support bar (O.S.B) to the slat frame Packed in the side rail carton, inside Pack 2 - hardware pack (C)

<p>b x5</p>  <p>Spring washer for M8 bolts</p>	<p>c x5</p>  <p>Flat washer for M8 bolts</p>	<p>m x5</p>  <p>Bolts (M8x25mm) for fitting ottoman support bar</p>	<p>M x1</p>  <p>Ottoman Support Bar</p>
<p>N x1</p>  <p>Fixed retaining bracket - side rail</p>	<p>P x1</p>  <p>Parking bracket - slat frame</p>		

# Tools required

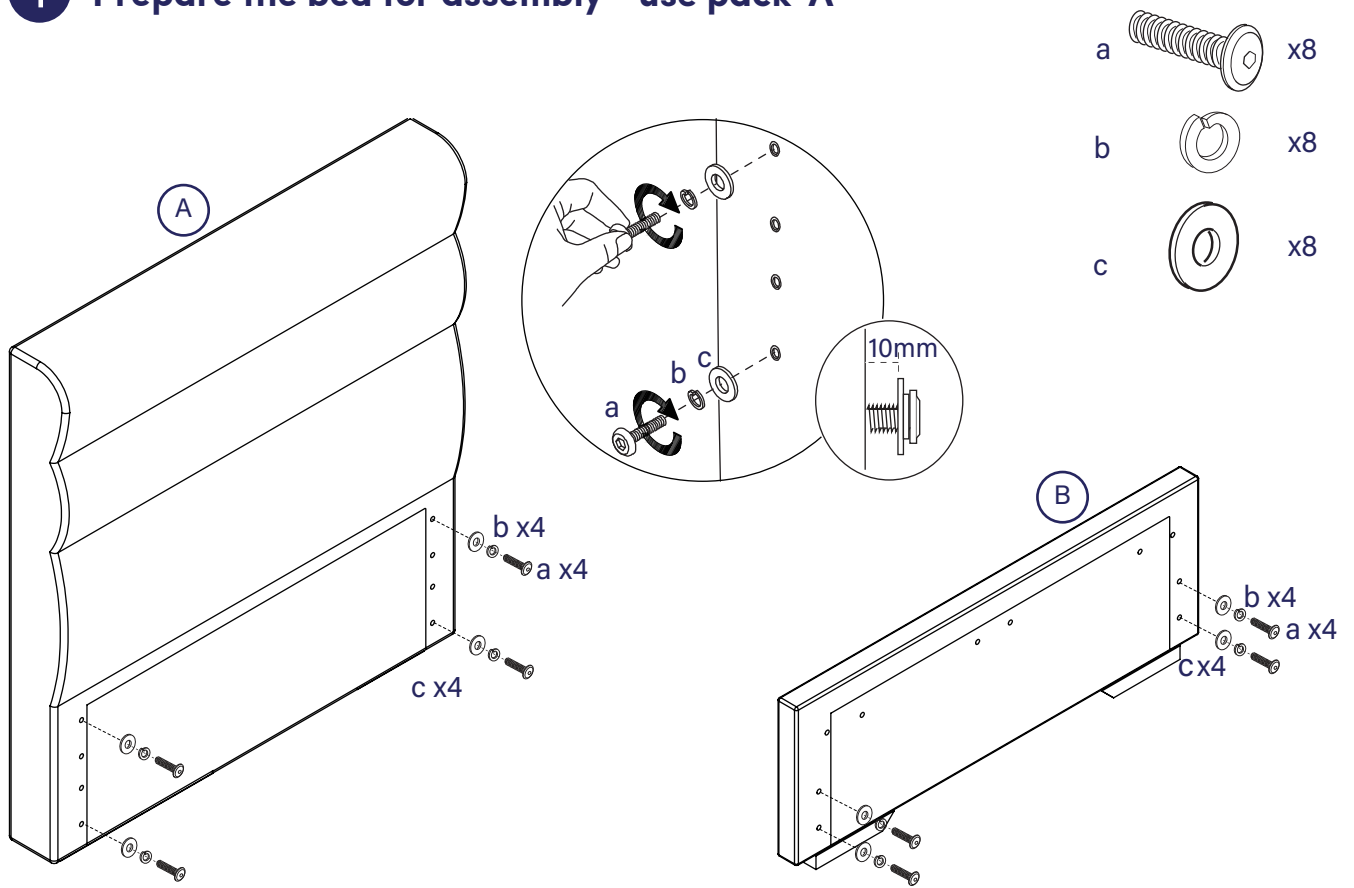


Tape measure

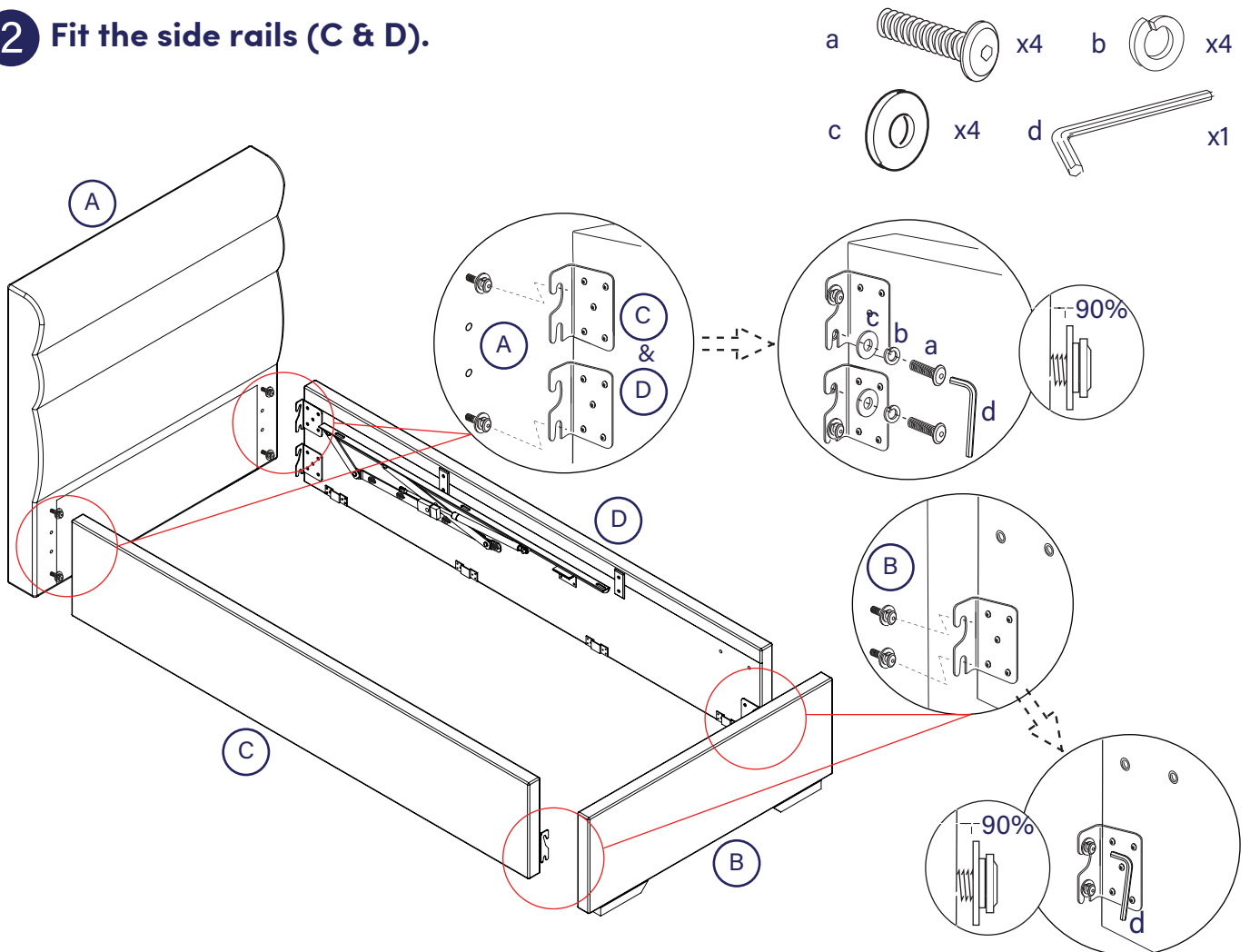


Cross head screwdriver

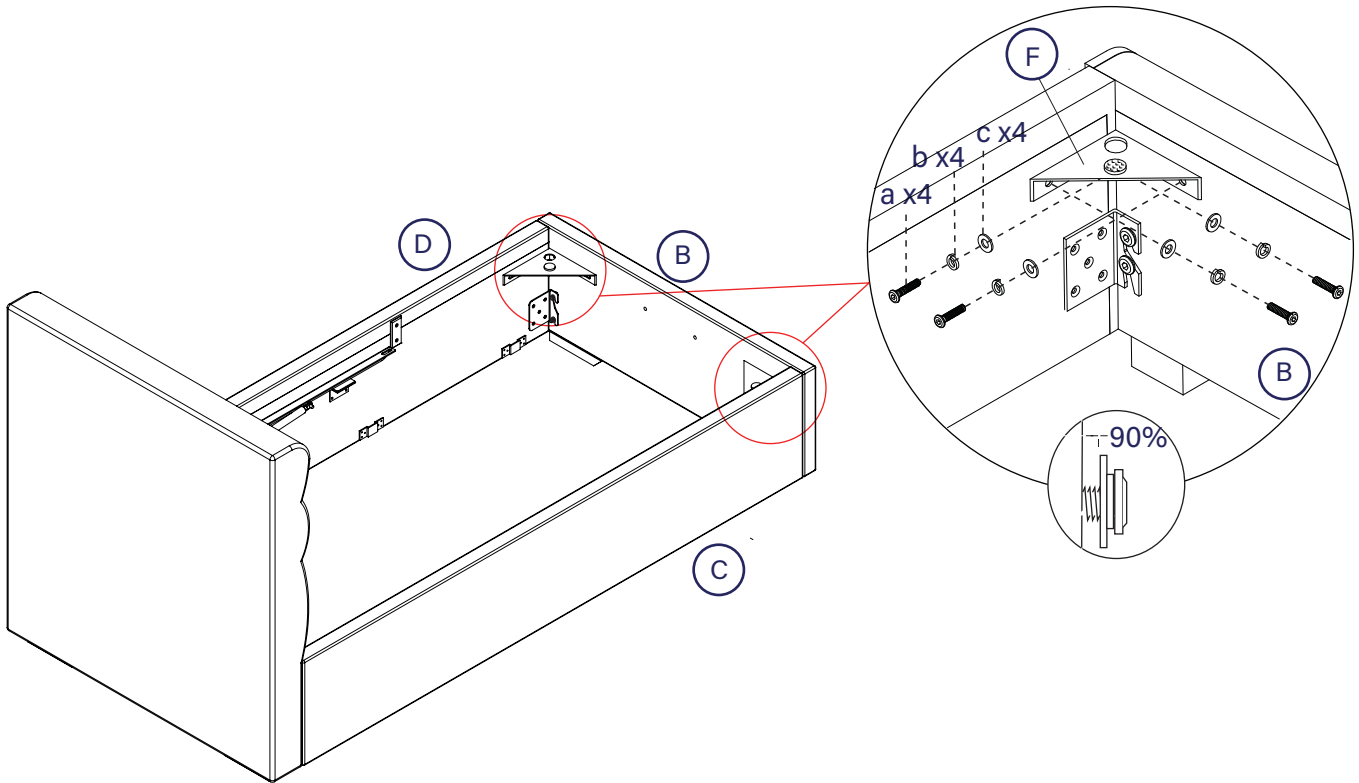
# 1 Prepare the bed for assembly - use pack 'A'



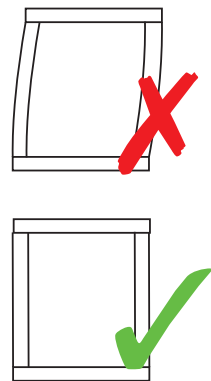
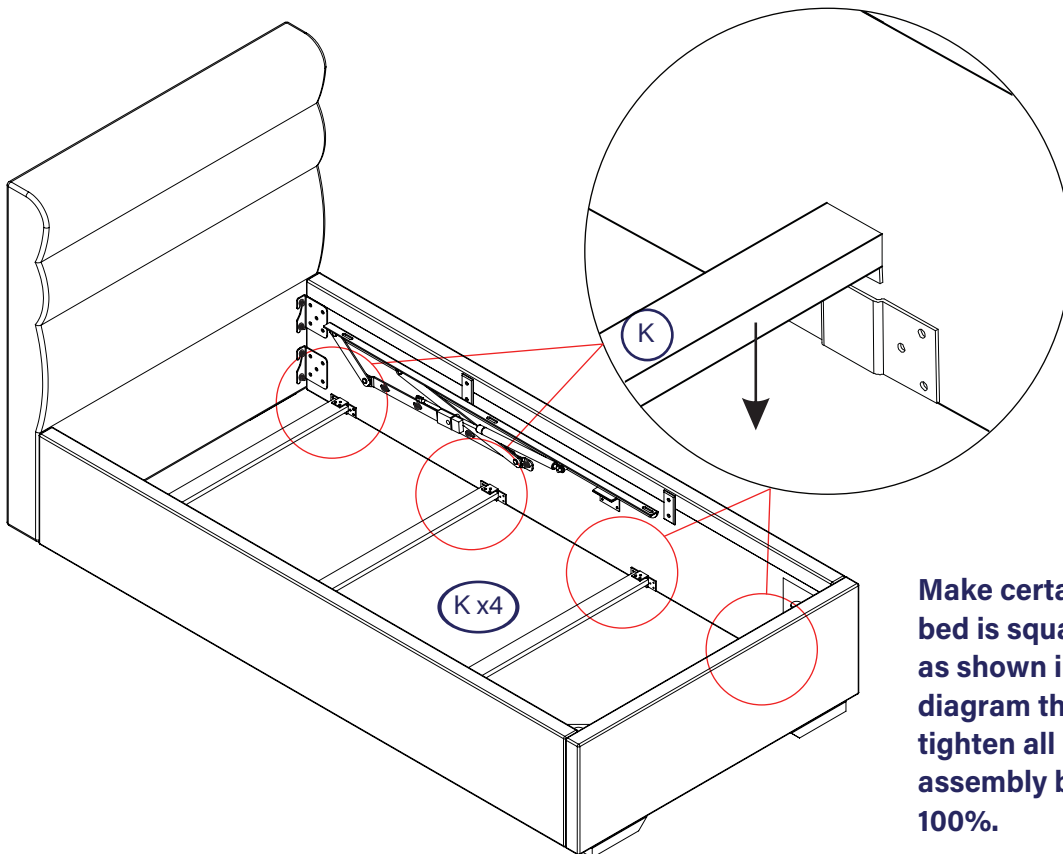
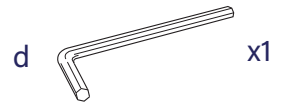
# 2 Fit the side rails (C & D).



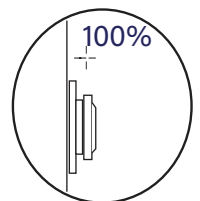
### 3 Fit the two angled corner brackets (F).



### 4 Fit the base board support rails (K).

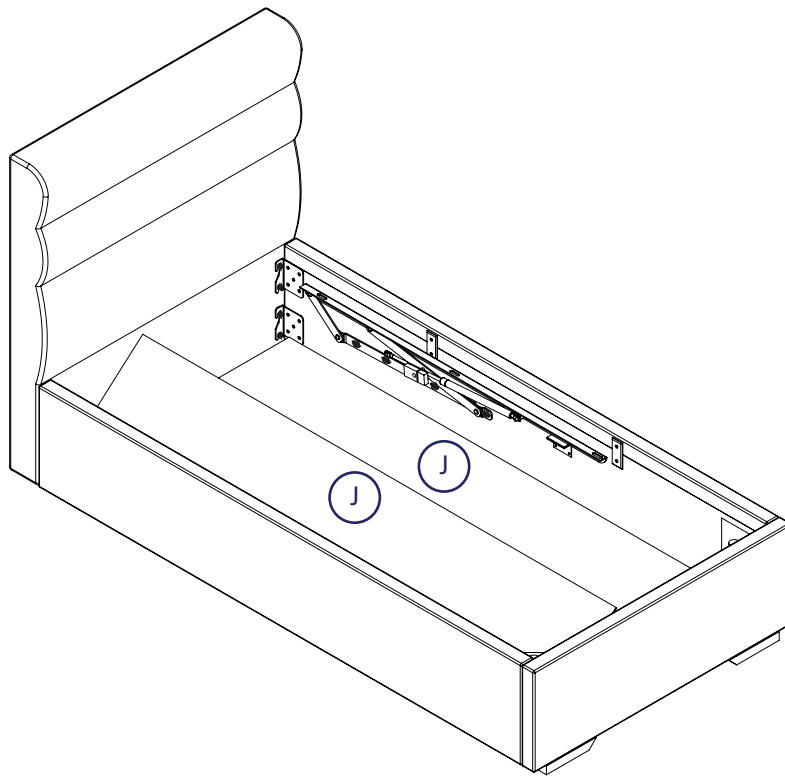


**Make certain the bed is squared up as shown in the diagram then tighten all bed assembly bolts 100%.**

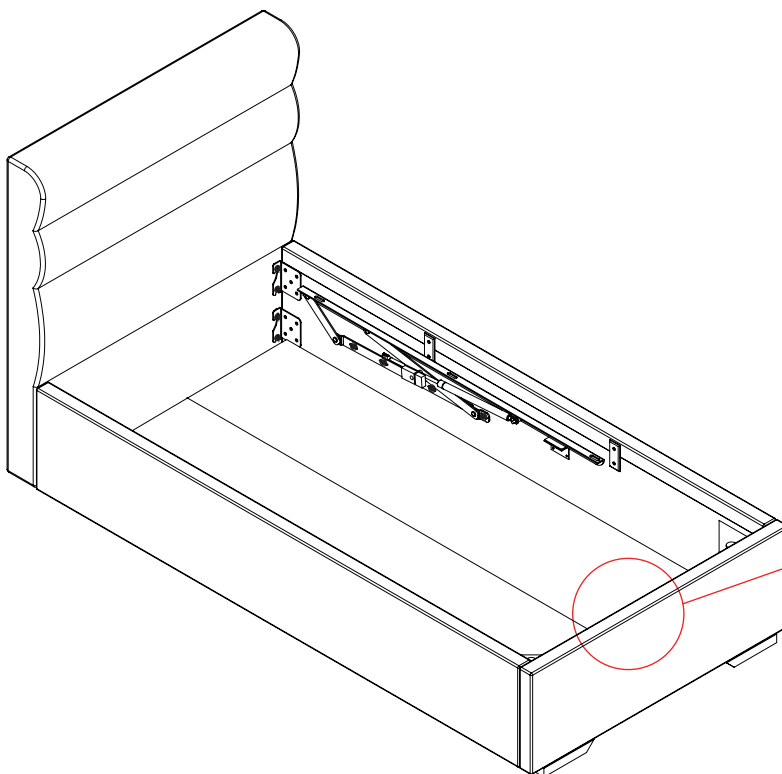
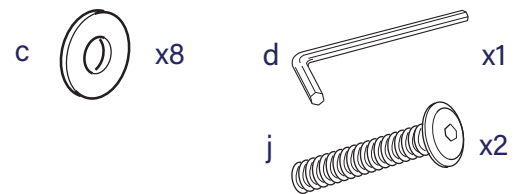




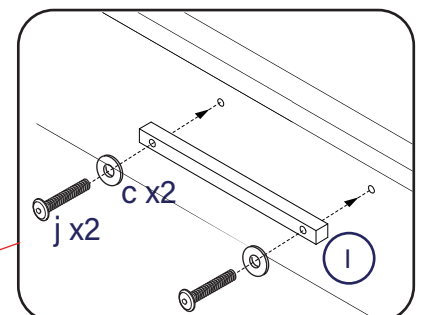
**5** Carefully fit the storage base boards (J).



**6** Fit the slat frame support rail (I)

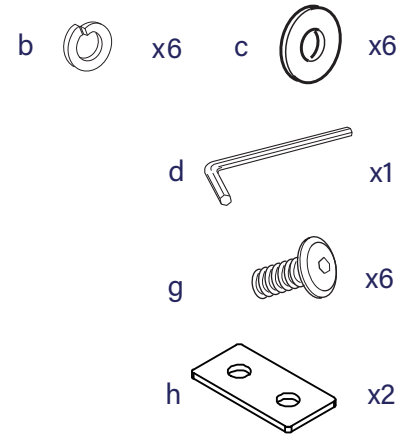
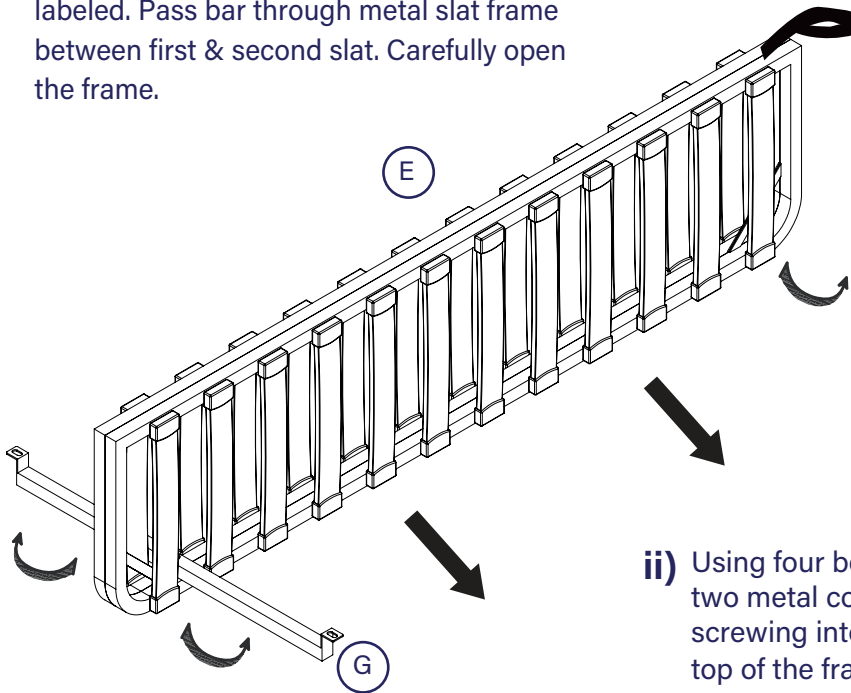


Fit slat frame support rail (I) to footboard using two bolts (j) & flat washers (c).  
**Using Allen Key (d) tighten 100%.**



## 7 Prepare the metal slat frame (E).

i) Fitting position for cross bar (G) is clearly labeled. Pass bar through metal slat frame between first & second slat. Carefully open the frame.

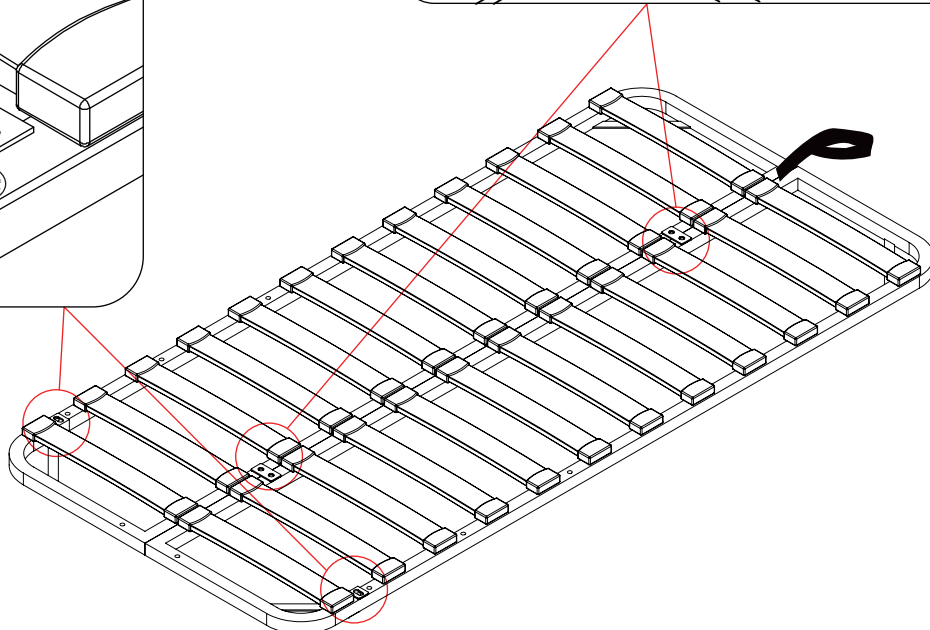
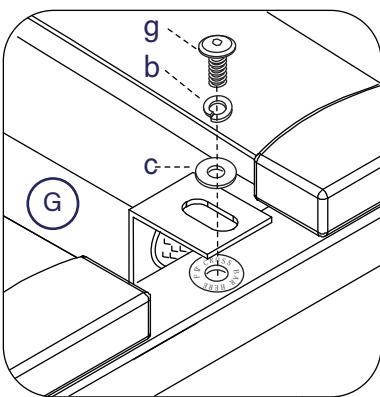
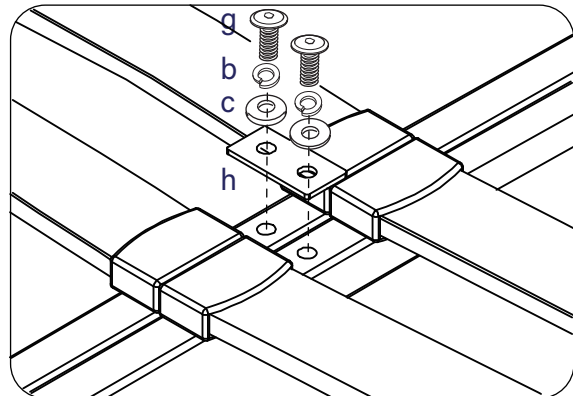


ii) Using four bolt sets (g, b & c) fit the two metal connection plates (h) screwing into the threaded inserts on top of the frame.

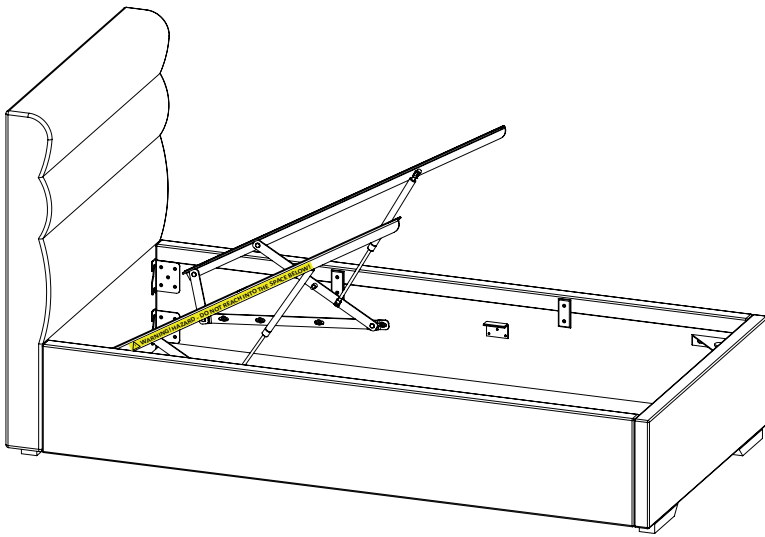
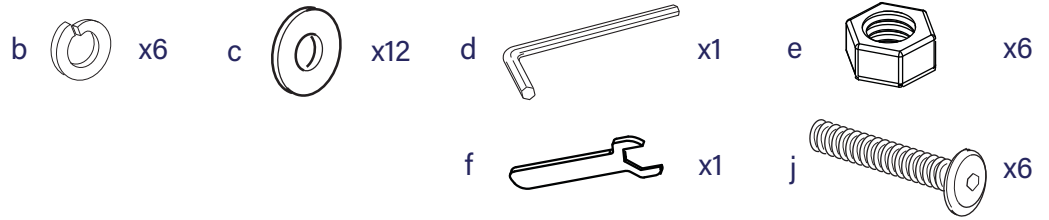
**Do not tighten any bolts yet.**

iii) Ease the upper fixing plates on the cross bar onto top of the slat frame side tubes. Through the plates into the threaded inserts, loosely fit using two sets of bolts (g, b & c).

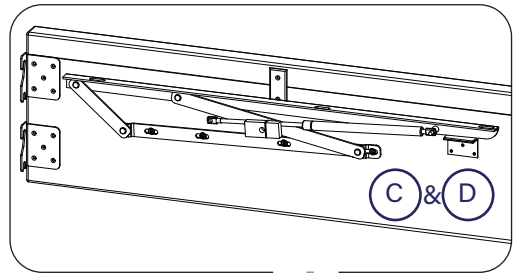
**Making sure the frame is flat then using Allen key (d) tighten all six bolts 100%.**



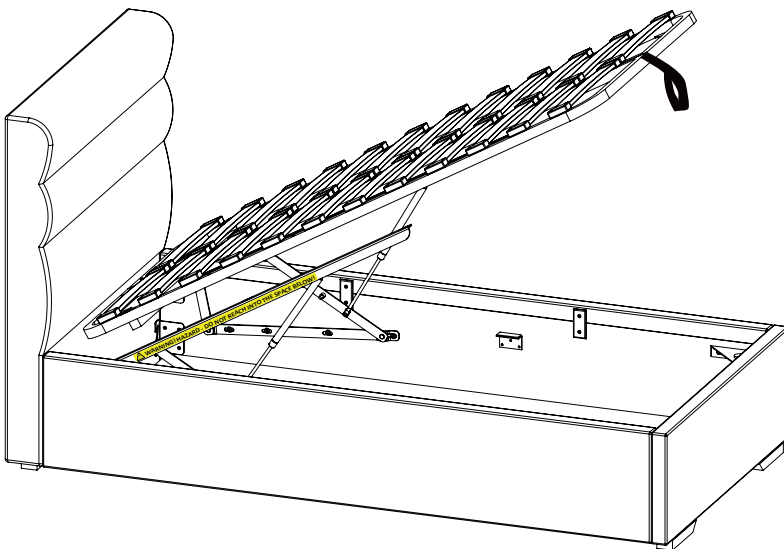
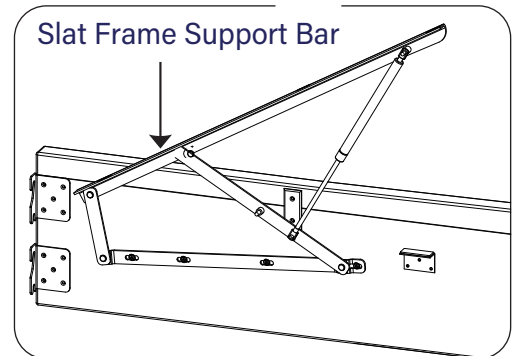
## 8 Fit the metal slat-frame.



**i)** Un-tie the hinge mechanism, and take out the transit block.

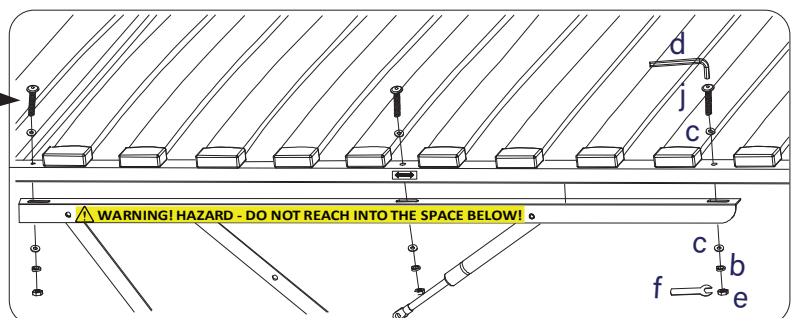


**ii)** Hold bars forward



**iii)** With help from an assistant, lift slat frame (E) onto slat frame support bars aligning first set of holes on slat frame with first set of holes in the support bars (nearest to headboard).

**iv)** Using three bolt sets on each side (j, c, c, b & nut e) loosely fix the slat frame to the support bars.  
**Do not tighten fully yet.**

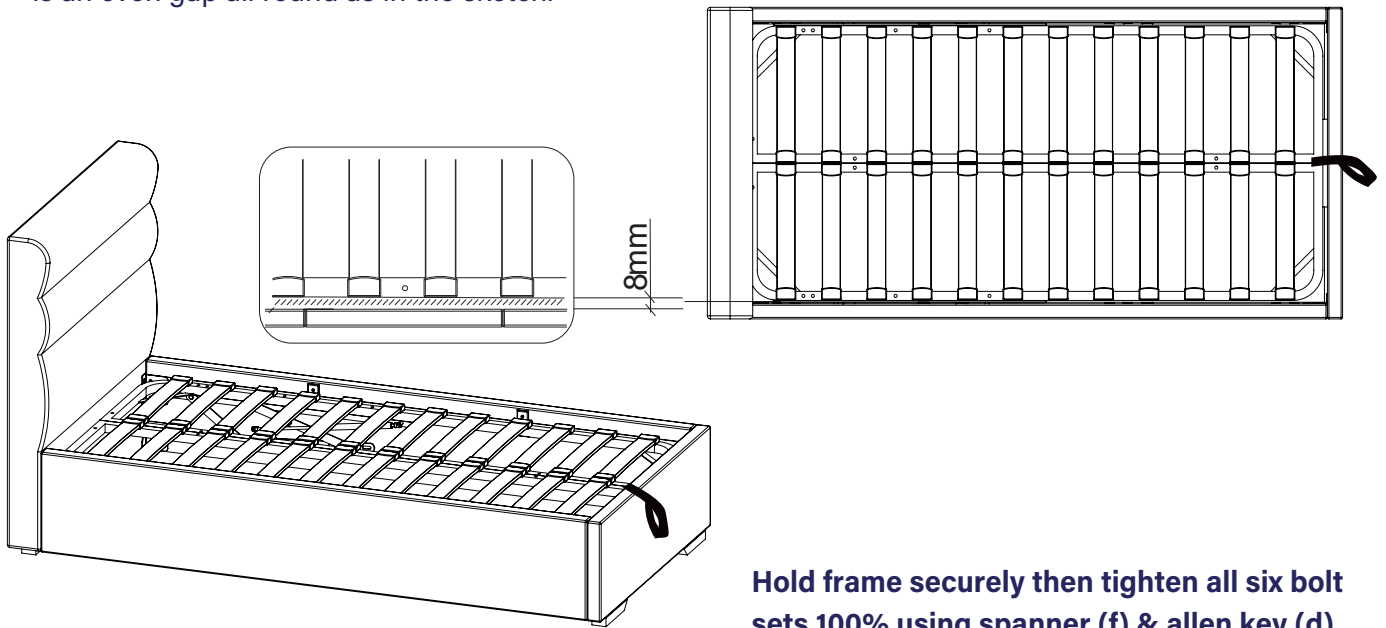


Bolt into the centre of long holes

## 9 Align the slat frame.

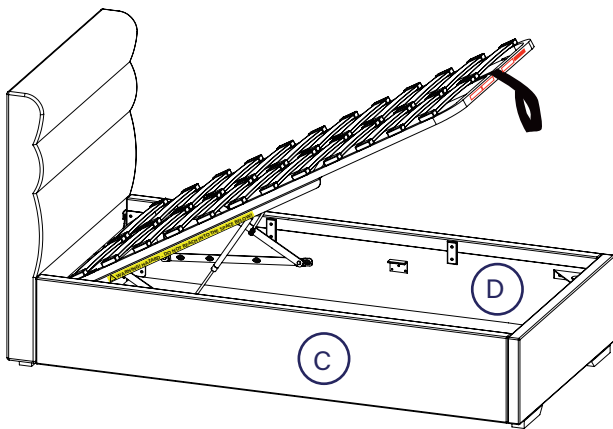
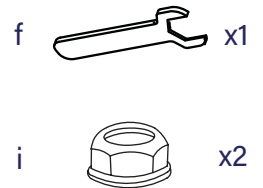


Carefully lay frame down making sure there is an even gap all round as in the sketch.



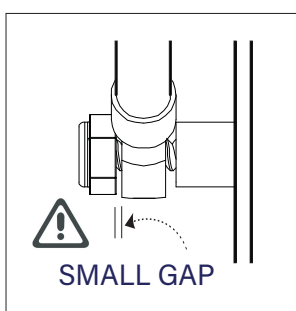
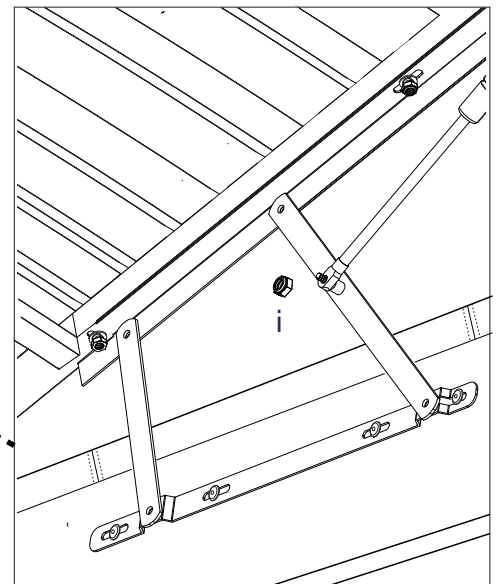
Hold frame securely then tighten all six bolt sets 100% using spanner (f) & allen key (d).

## 10 Fit the gas-lift piston stems to the lower axles.

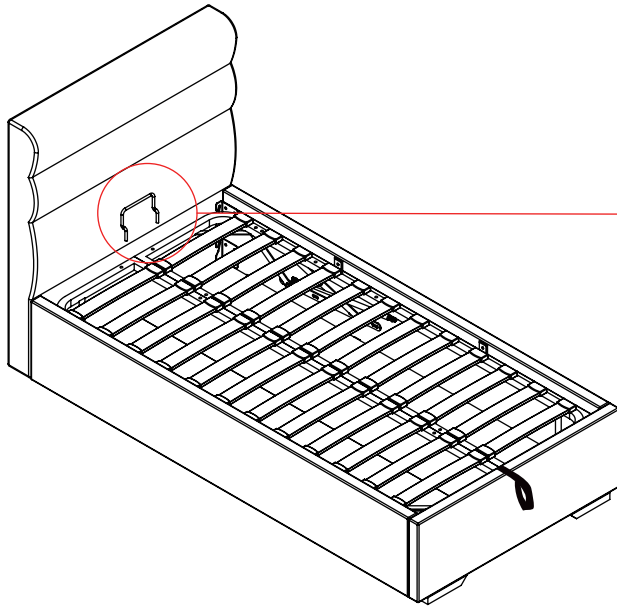


During this next step, the assistant should hold up the slat frame. On side rails (C&D) slide gas-lift piston stems (X) onto the axles (Y) then fit the flanged lock-nuts (i).

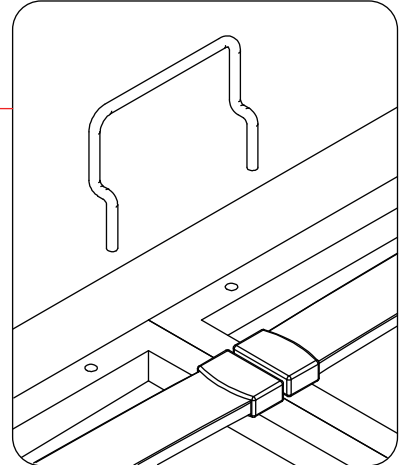
Tighten nuts with spanner (f) - but do not over-tighten. A small gap is needed so stems can move freely - this is important - see sketch below left.



## 11 Fit the mattress stopper (H).

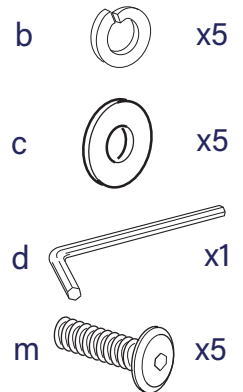
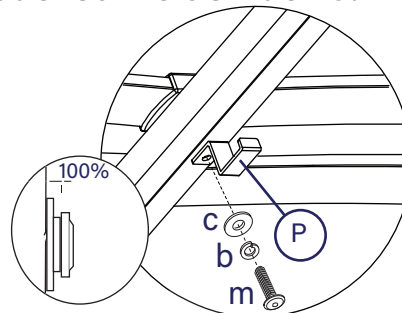


Push the mattress stopper (H) into the end of the metal slat frame, the legs should go all the way through the upper & lower metal sections.



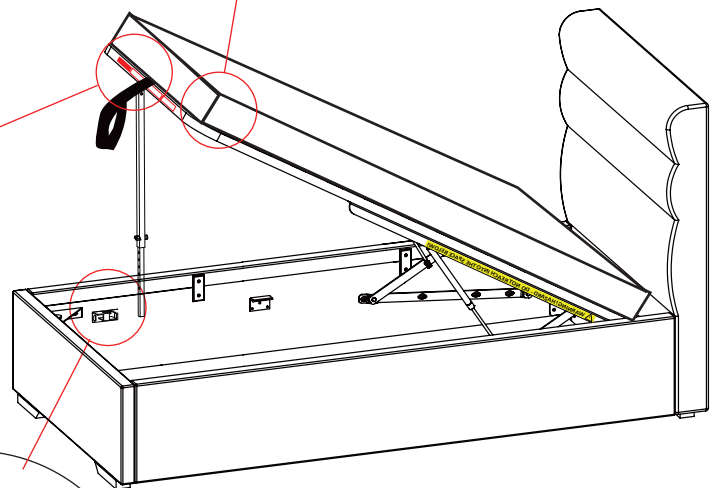
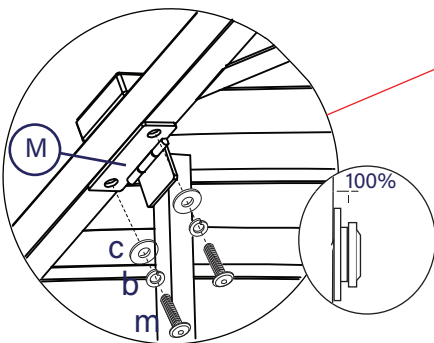
## 12 Unpack the contents of the Ottoman Support Bar (O.S.B.) from its carton - this is packed inside Pack 3.

i) To underneath of the slat frame, fit the parking bracket (P). This is used to safely keep the support bar out of the way when not in use. Use one bolt set (m, b & c) - please make sure the bracket is fitted the correct way round as shown. Screw into the threaded insert on the underside of the frame.

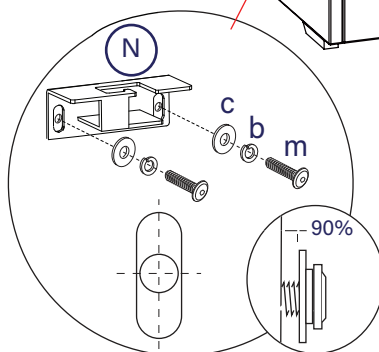


ii) To underneath of the slat frame, fit the O.S.B. support bar (M) as shown. Using two bolt sets (m, b & c), screw the bolts into the threaded inserts on the underside of the frame.

**Please do tighten 100% yet.**

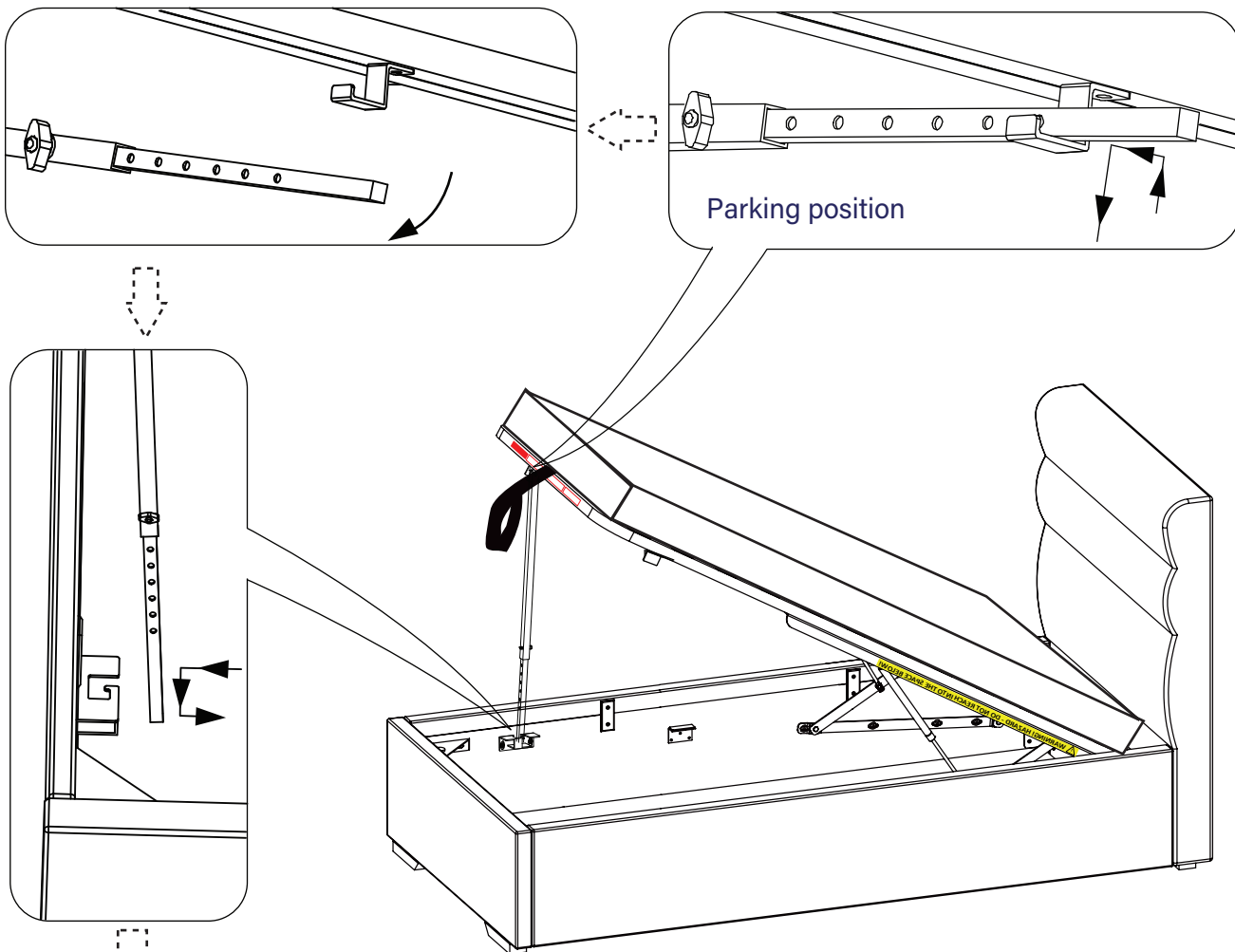


iii) Fit the fixed retaining bracket (N) to the side rail using two bolt sets (m, b, & c). Screw the bolts into the threaded inserts on the side rail. Make certain the bracket is level and at the correct height. **Please do not tighten 100% yet.**

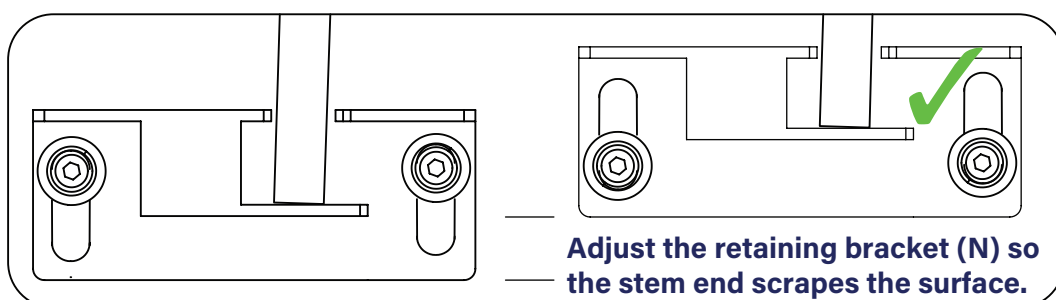
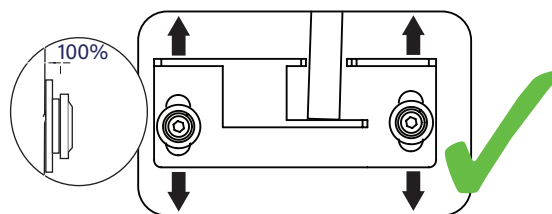
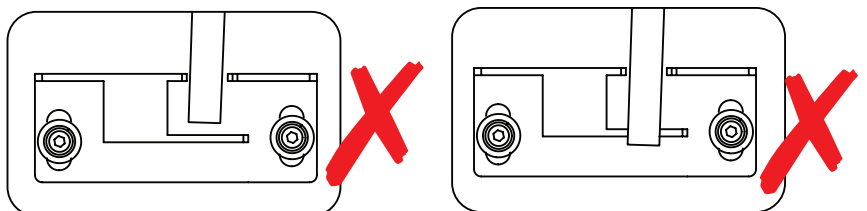


iv) The bolts should be in the centre of the long holes and one may need to slide the inner bar and the bracket, up or down so the bottom of the O.S.B stem just touches the surface - better to do this AFTER the mattress is fitted.

**10** Setting the inner stem of the support bar (M), adjust the inner stem to the correct length.



Set the inner stem to the correct length so the end just touches the retaining bracket - it needs to touch to hold it in position.



## 14 Electrical Connection for Stereo System

Note that the power supply to the 2.0 stereo system is a maximum of 5 Volts - for safety, only use the power supply supplied with the bed.

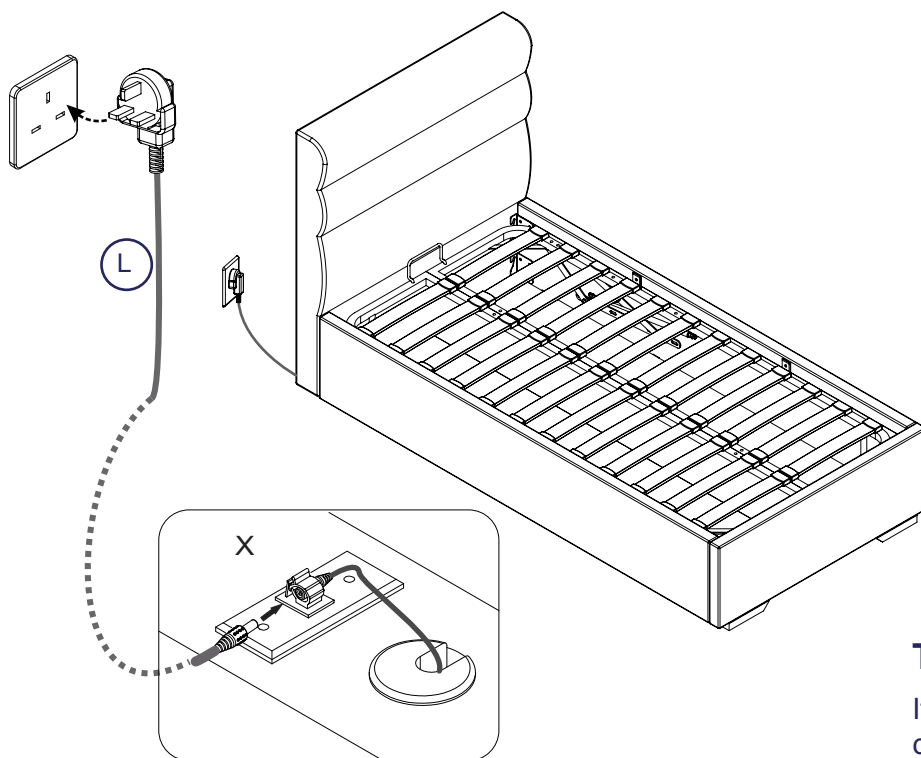
Connect the LV connector on the power lead (L) to the connector (X) underneath the headboard.

Make certain the jack-plug is firmly pushed all the way into the socket. Switch on the power and the system will be live. Make certain the volume on your device is set mid-way then search using the Bluetooth function.

Search for " MY BT " and once a connection is made, operate using the controls on your smart device.

As your device connects one should hear a voice saying 'pairing' if this is the first time connected or 'paired' if connected before.

Connect power supply plug (L) to your wall socket. For safety, this must be an earthed supply.



Connector for the power lead is on the bottom of the headboard.

### Trouble shooting

If you do not hear the voice - check all the power connections.

Note that there are no controls in the sound system itself and there are no user serviceable parts.

In the event of a problem, please contact Customer Services for help or advice call; 0800 652 6750.

(For customers based in Northern Ireland, please call 028 9050 8300)

## Technical Specifications

### Overall Dimensions (LWH cm)

211.5 x 104 x 113

### Internal Dimensions (LWH cm)

193 x 92 x 24.5

### Distance between slats (cm)

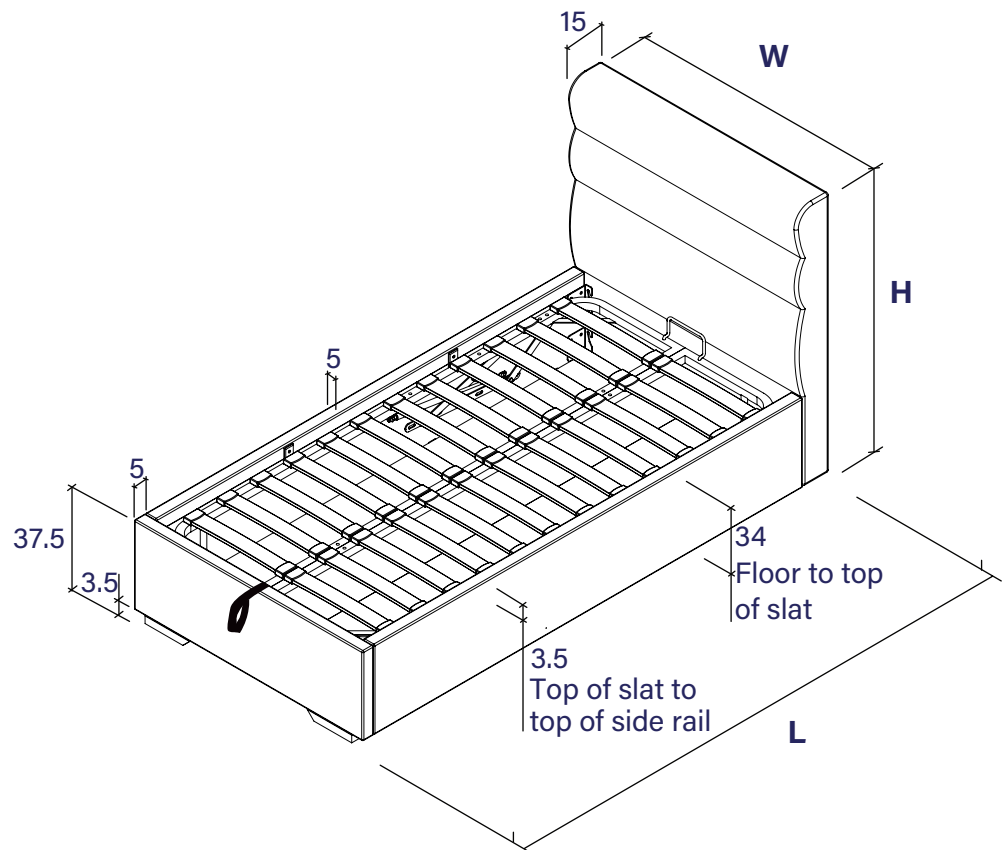
9

### Ottoman Piston Rating

600N

### Slat Dimensions (LWH cm)

45 x 5.3 x 0.9



## Care and maintenance

Here are some tips to keep your new bed in tip-top condition



### Cleaning

To clean your new bed, we'd advise using a warm damp cloth or if fabric, remove dust using a low suction vacuum cleaner. Please do not use abrasive chemicals or bleach as this may damage the product.



### Checking and moving

Periodically we recommend you check that the screws or fixtures haven't become loose over time. To move your new bed, we recommend lifting it where possible, as dragging or pushing it could cause damage to the legs or flooring.



### Wood

Please note each of our wooden pieces are unique, meaning that markings and shade can vary slightly between beds. Over a period of time, the wood might lighten or fade slightly due to light exposure.



### Fabric

Please note depending on the lighting, positioning and surroundings of your room, the shade of the colour can sometimes appear slightly different. Over a period of time, the colour might lighten or fade slightly due to light exposure.



### Metal

Metal tends to be more resilient to everyday wear and tear. We recommend to gently dust your metal furniture and keep it dry to maintain its look.

**Thank you for shopping with us - we hope you have a great night's sleep.**

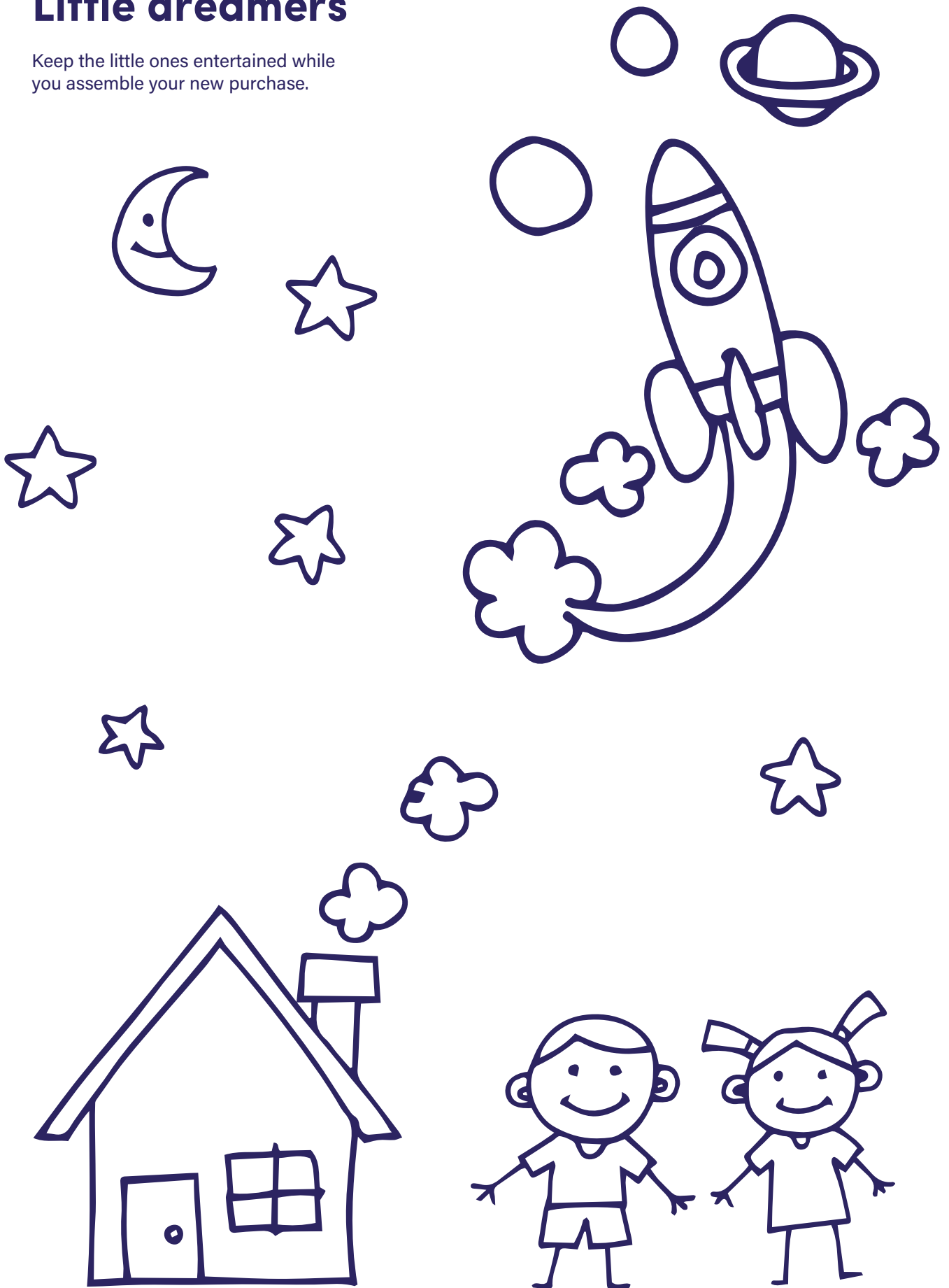
*Sleep well*





# Little dreamers

Keep the little ones entertained while you assemble your new purchase.



# Dreams