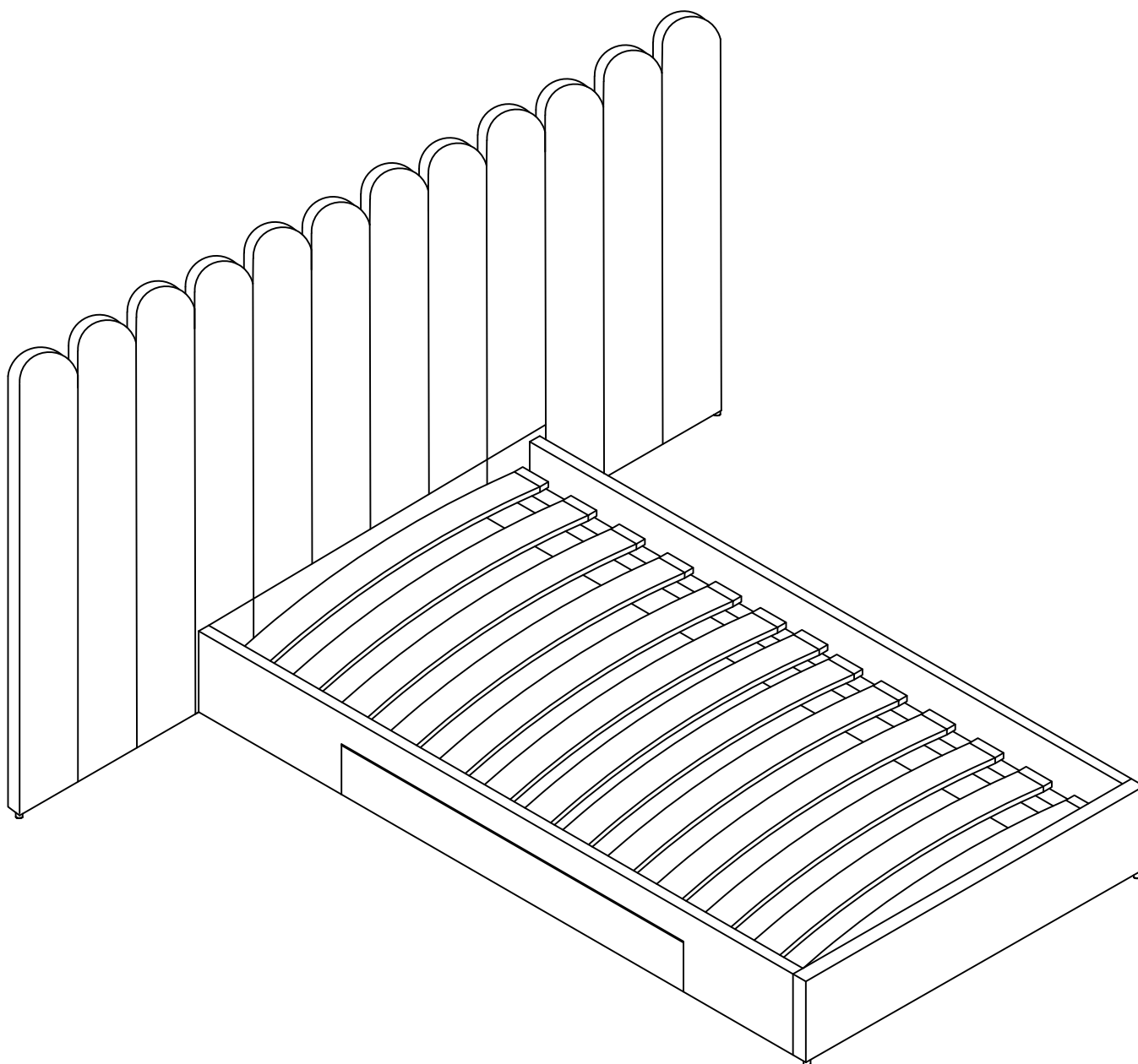


# Callie Hotel bed



30 minutes approx  
assembly time



Two person  
assembly

# Dreams

Love your bed

# Thank you

Hello, thanks for choosing to purchase your bed from Dreams - you're now on your way to your best ever night's sleep. Before you begin building your bed, please take a moment to read through the instructions and make sure that you've got all the relevant parts listed on the following pages.



## Assembly tips

Before you begin, it's best to identify all parts and fittings to build your bed. We advise laying these out on the floor to check you have everything, and familiarising yourself before building.



## Top tip

We recommend that you build your new bed in the room you'd like it to be located - this will help prevent any risk of damage to your newly built bed whilst moving it.



## Safety and care

It's really important to ensure children and animals are kept away from the assembly area, as there are small components used in this bed which could present a choking hazard. All plastic and wrapping materials should also be kept away from children and animals to prevent any risk of suffocation. To keep your little ones busy, there is a colouring page inside the back cover.



## Help and support

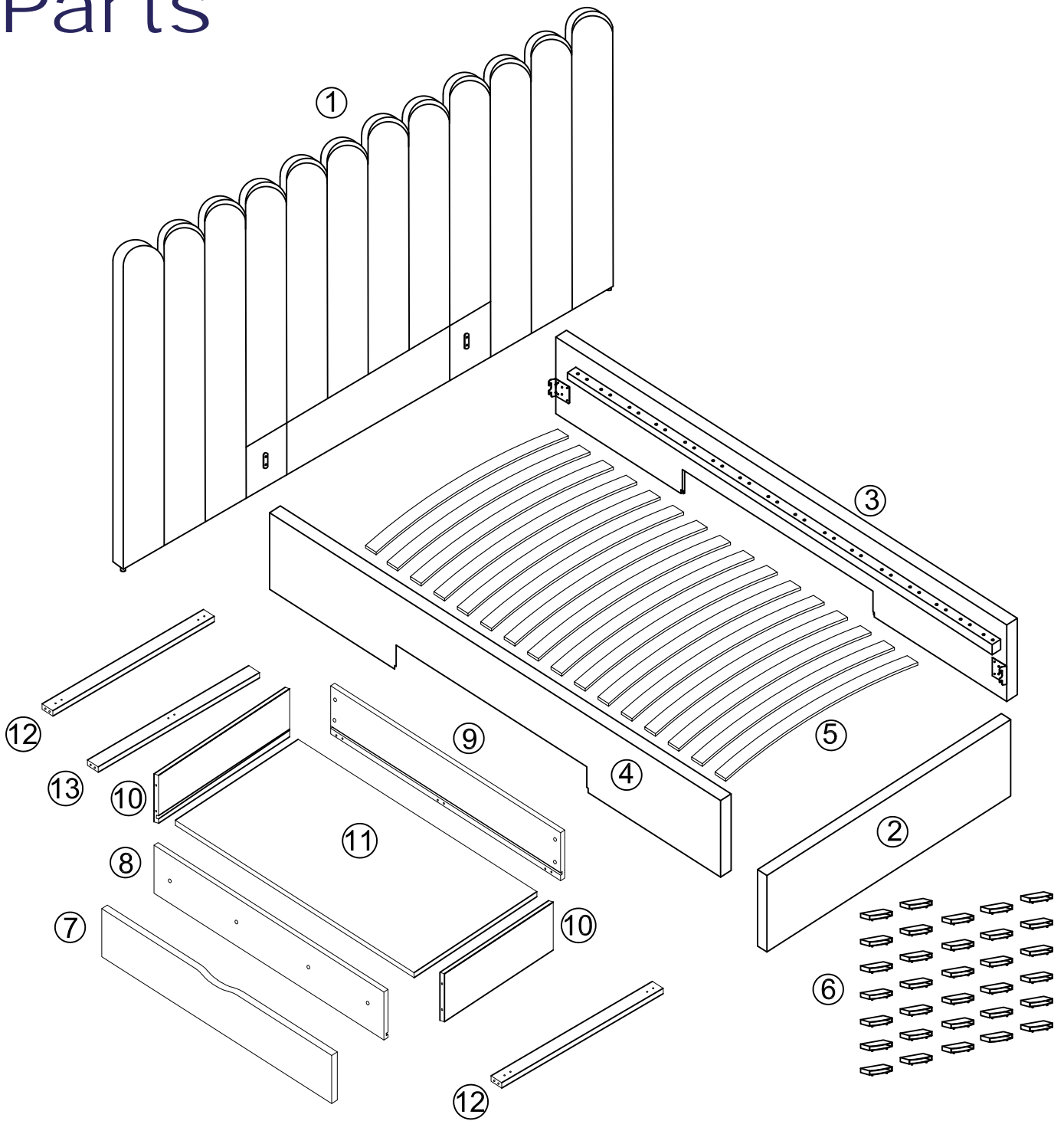
At Dreams, it's our mission to give the whole nation a great night's sleep - this means that the quality of our products is of utmost importance to us. If there are any issues with your product or any missing parts, please visit our website at [www.dreams.co.uk/help](http://www.dreams.co.uk/help)



## Recycling

Please ensure that packaging is disposed of in a safe and environmentally friendly way, and recycle where possible. Our assembly instructions are printed on recycled paper. Please keep your assembly instructions safe to refer back to in the future.

# Parts



## Parts list

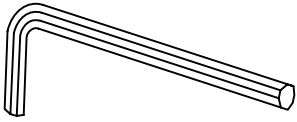
Code	Description	Qty	Box	Code	Description	Qty	Box
1.	Headboard	1	1	7.	Drawer front	2	2
2.	Footboard	1	2	8.	Drawer panel	2	3
3.	Right Side Rail	1	2	9.	Drawer back	2	3
4.	Left Side Rail	1	2	10.	Side drawer	4	3
5.	Slats	16	4	11.	Drawer base board	2	3
6.	Plastic Cap	32	2	12.	Drawer cross bar	4	3
				13.	Drawer cross bar	2	3

# Fittings

Please check you have all the parts listed below with your product:

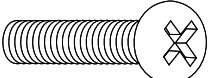




## PACK A(in box 2)

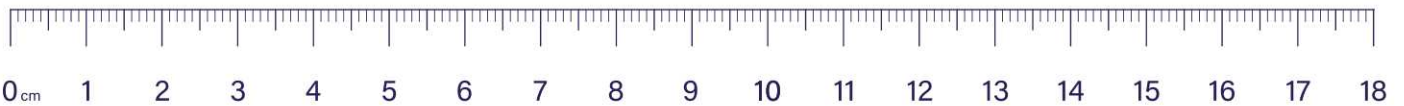
A x 1pc



Allen Key (for M8 bolt)

## PACK B(in box 3) Hardwares for drawer

<p>B x 8pcs</p>  <p>Bolts (M8x25mm)</p>	<p>C x 8pcs</p>  <p>Washers (M8x19mm)</p>	<p>D x 40 pcs</p>  <p>Screws (M7x38mm)</p>	<p>E x 20 pcs</p>  <p>Screws (M8x16mm)</p>	<p>F x 10 pcs</p>  <p>Wheels</p>
--	--	---	---	---



## Tools required

Please check you have all these below

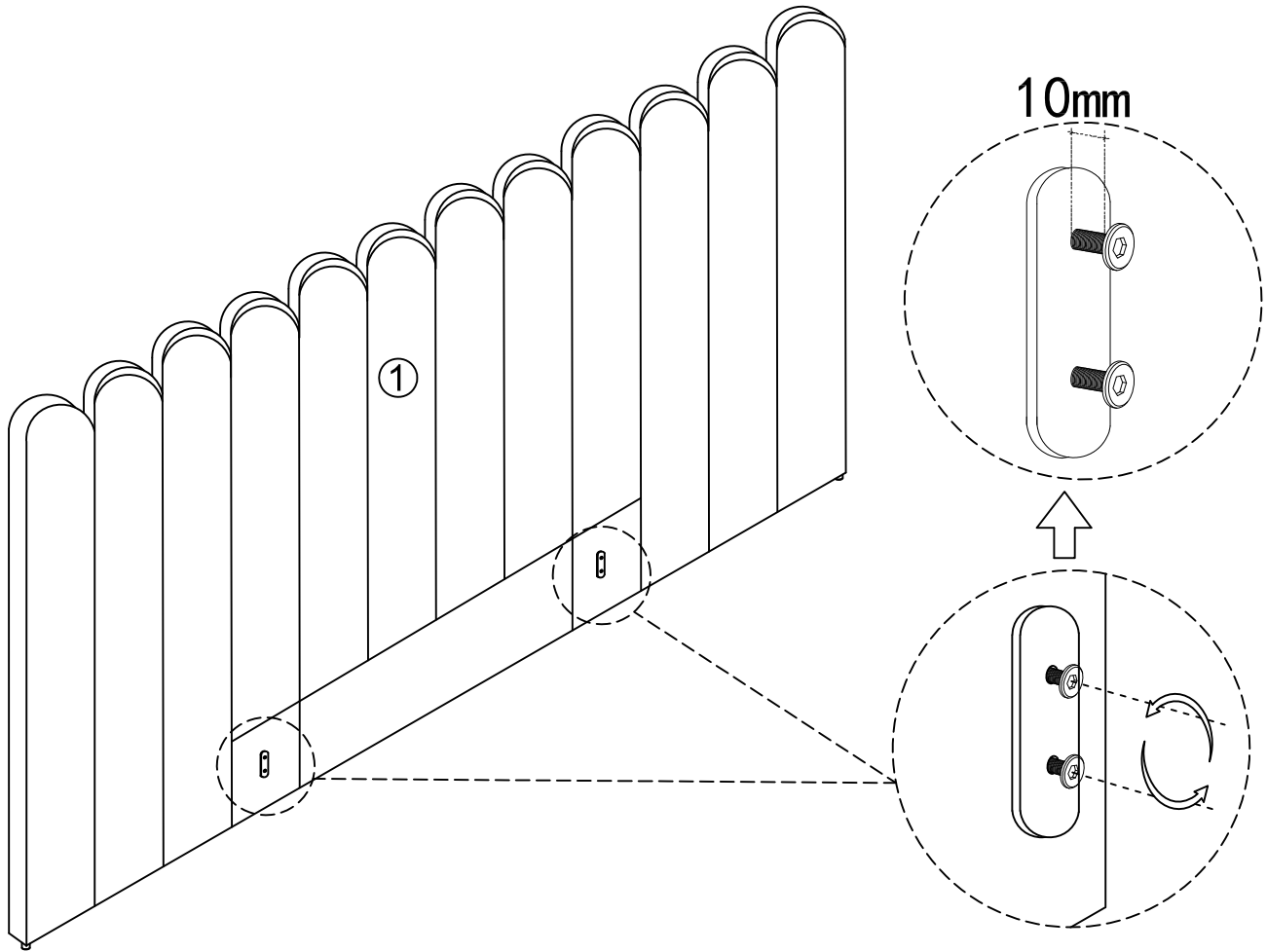


Tape measure



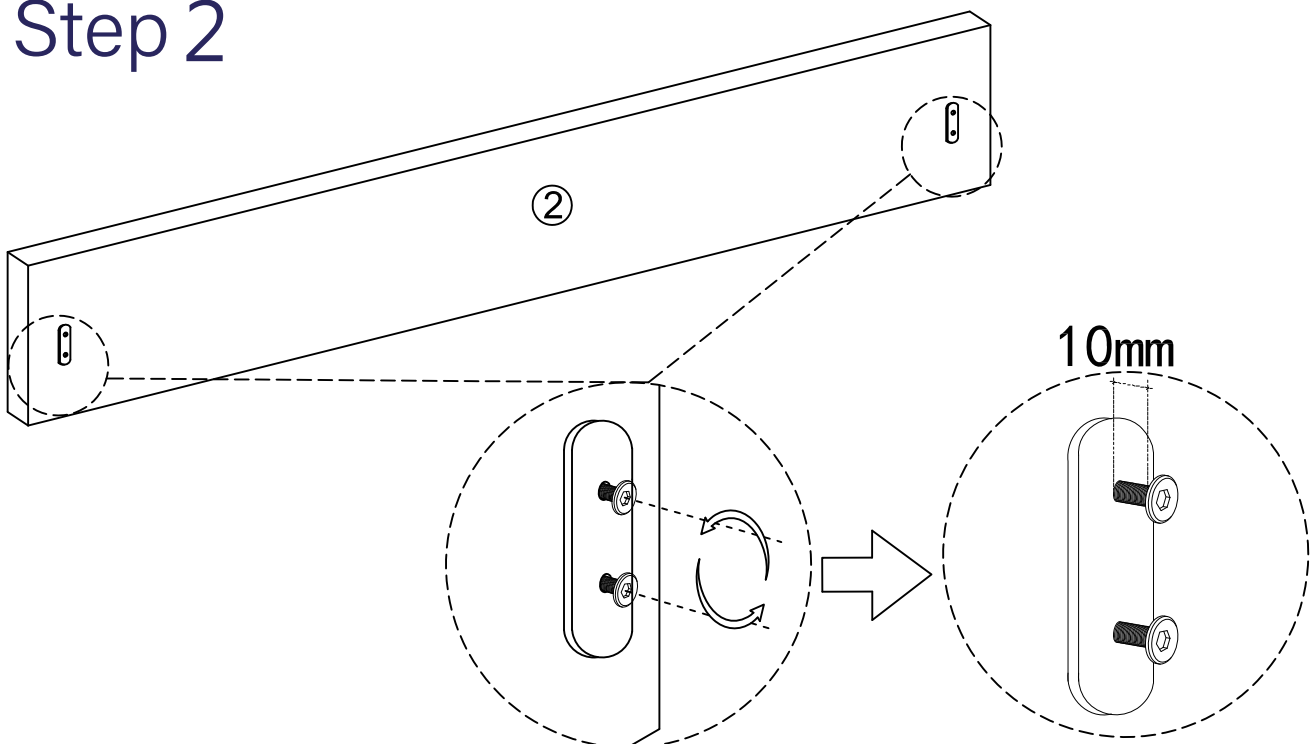
Cross head screwdriver

# Step 1



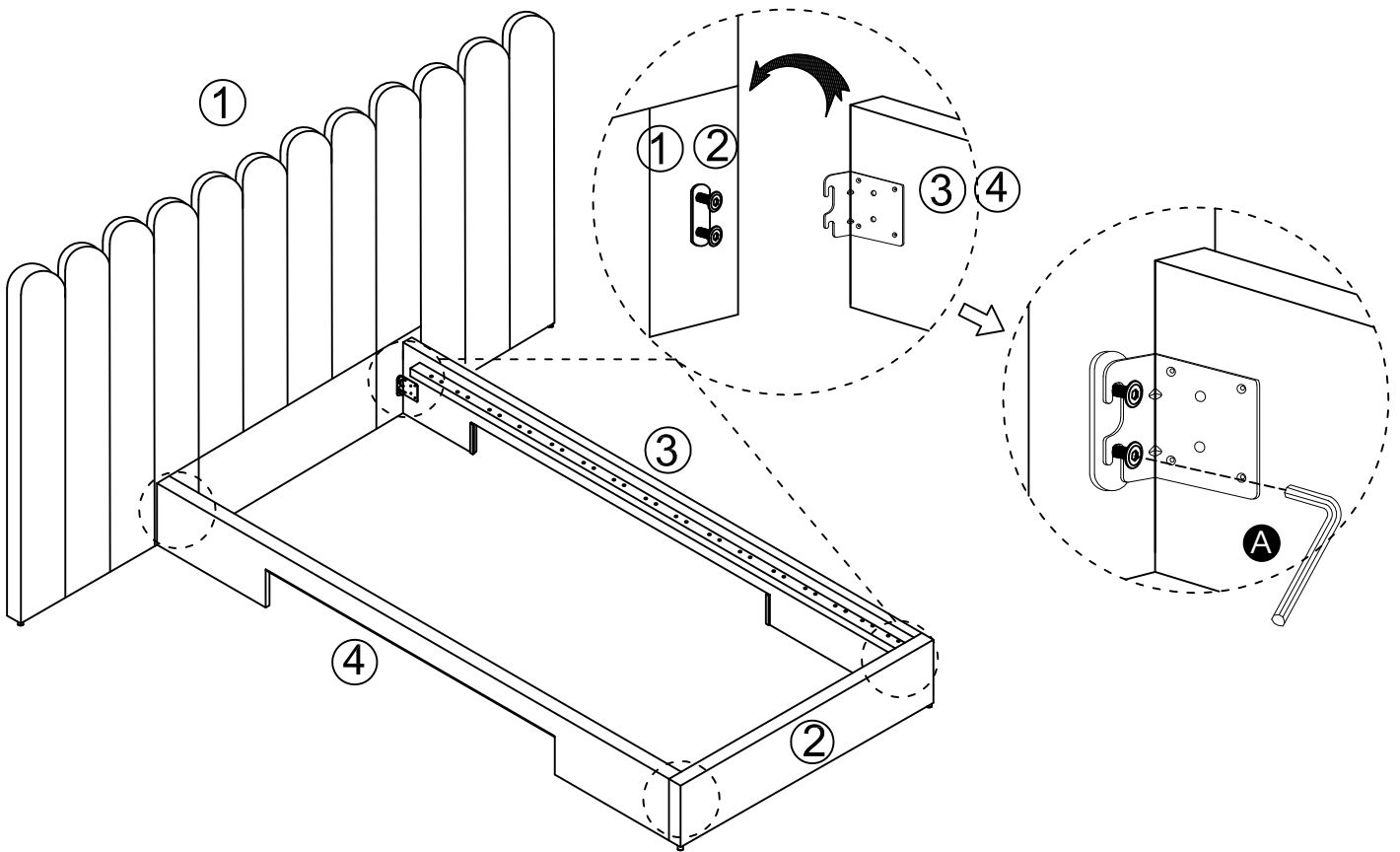
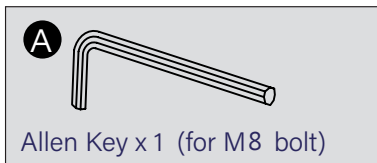
Untie all bolts from Headboard (1) and keep 10mm distance as in the diagram.

# Step 2



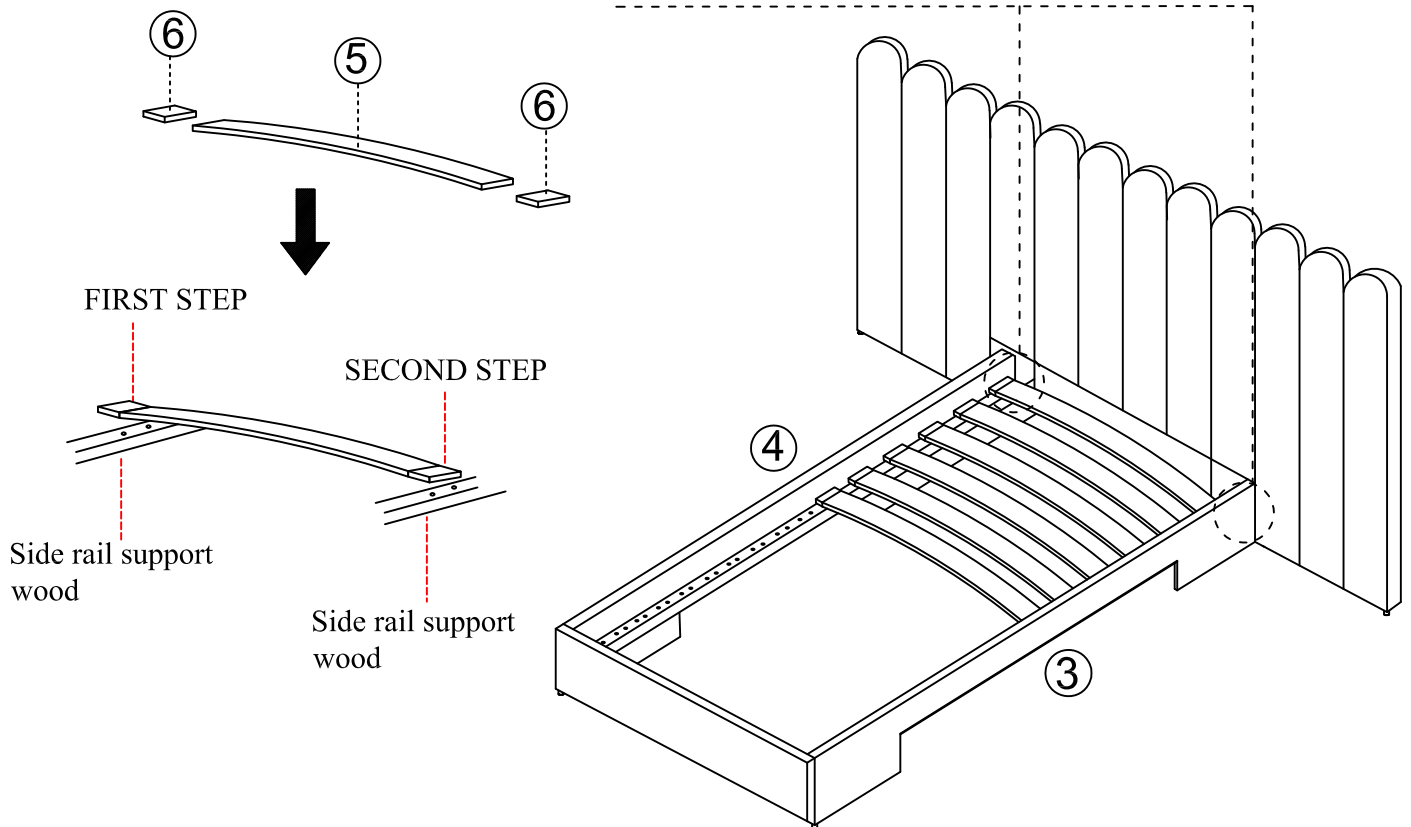
Untie all bolts from Footboard (2) and keep 10mm distance as in the diagram.

# Step 3



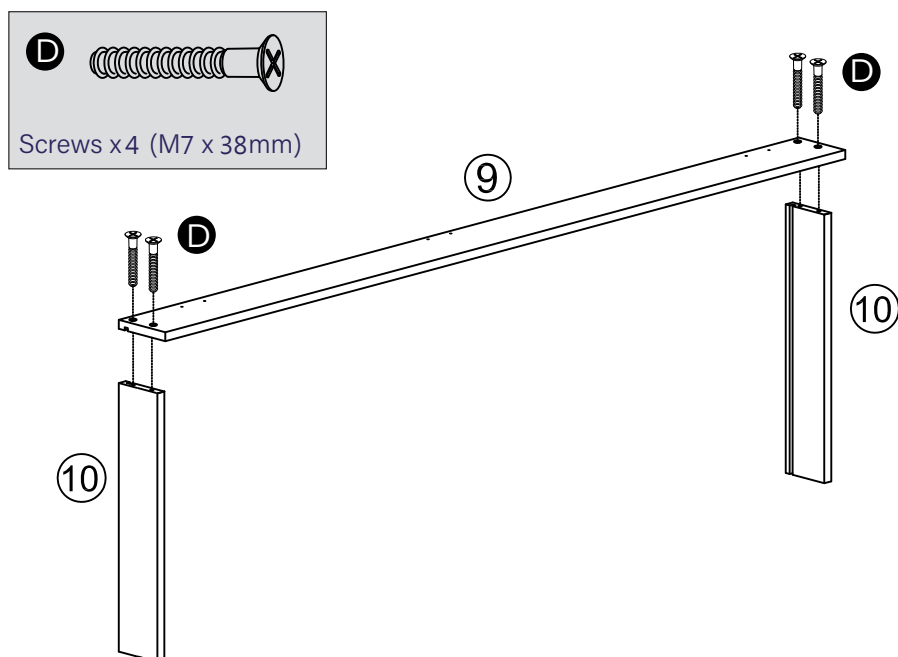
Attach side rails (3 and 4) to Headboard (1) and Footboard (2) by Allen key (A) as shown.

# Step 4



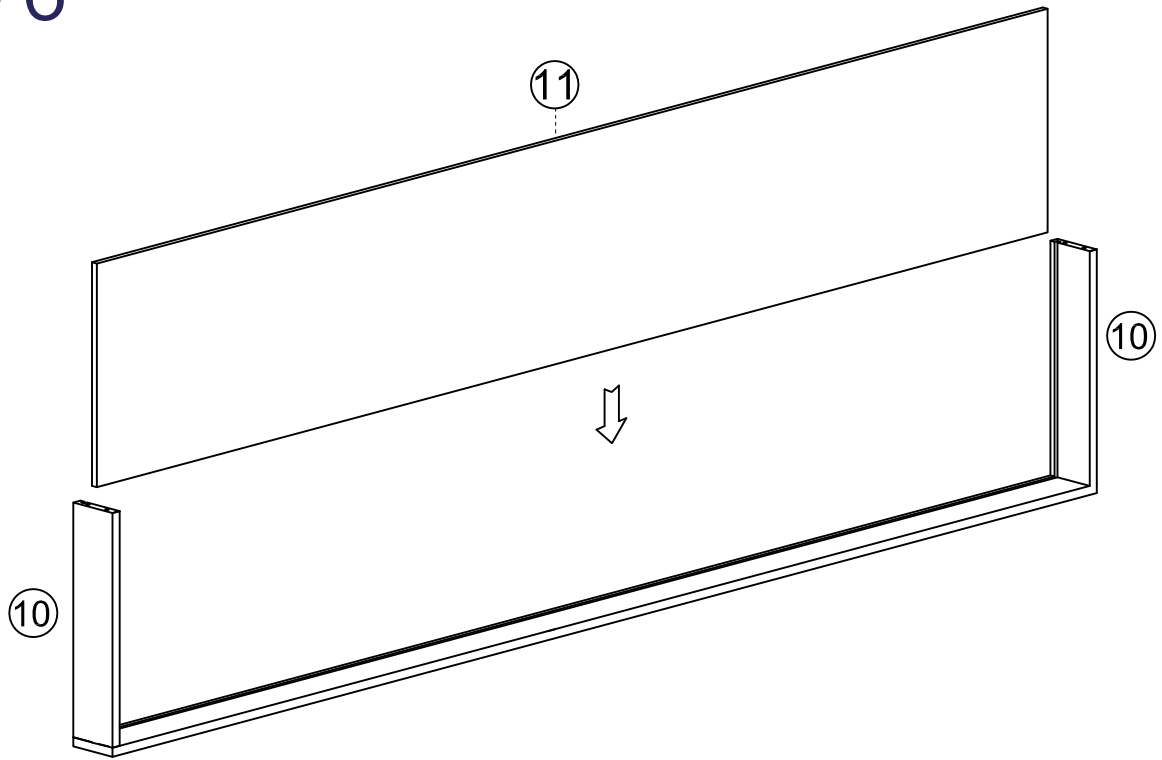
Insert each slat (5) into plastic caps (6).  
Insert the slats into the siderail support wood ( 3 and 4 ) by pressing down firmly.  
Ensure plastic caps are in place over the side rail holes and apply downward pressure on the slat (5) with plastic cap (6) until plastic cap is fully inserted into the rail.

# Step 5



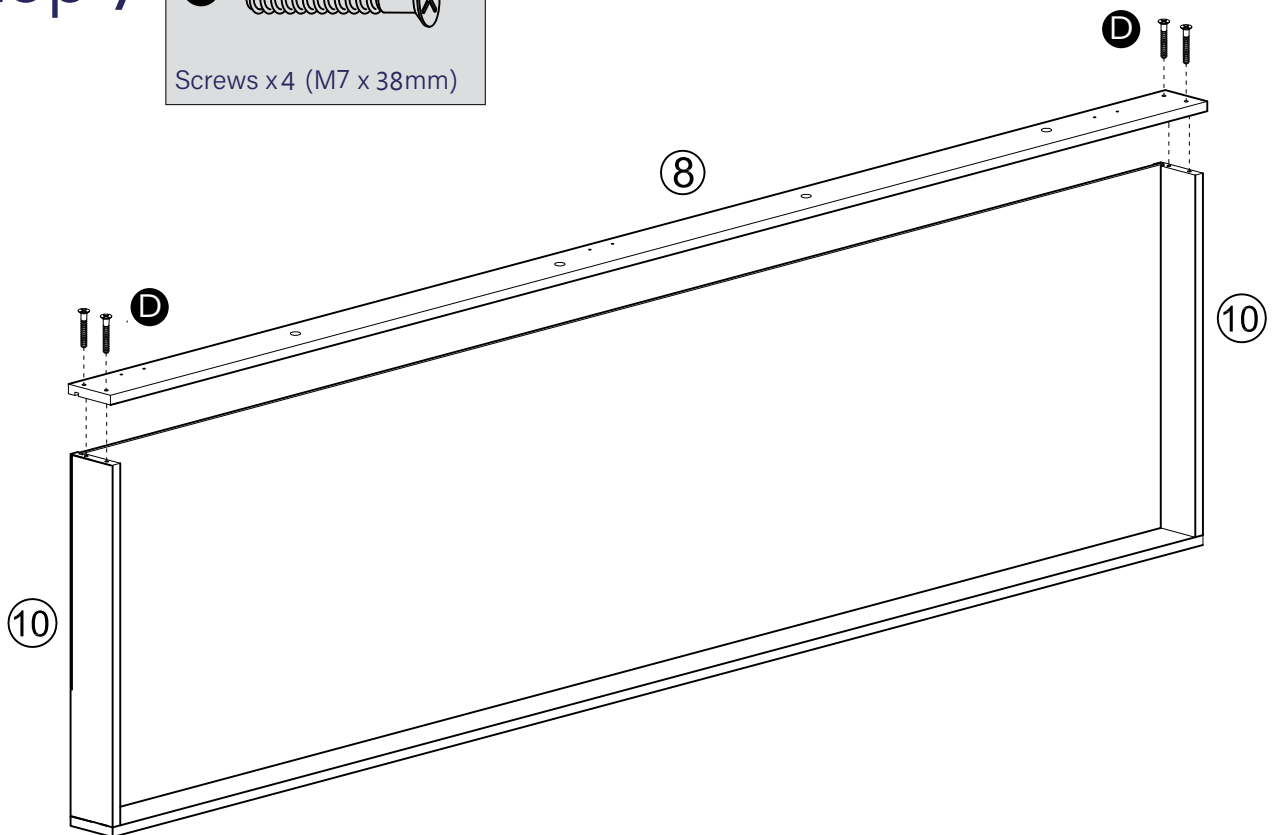
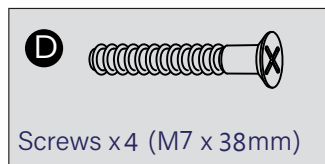
Attach drawer back (9) to side drawer and left side drawer (10) with 4x screws 38 mm (D) by cross head screwdriver.

# Step 6



Insert drawer baseboard (11) into right side drawer and side drawer(10).

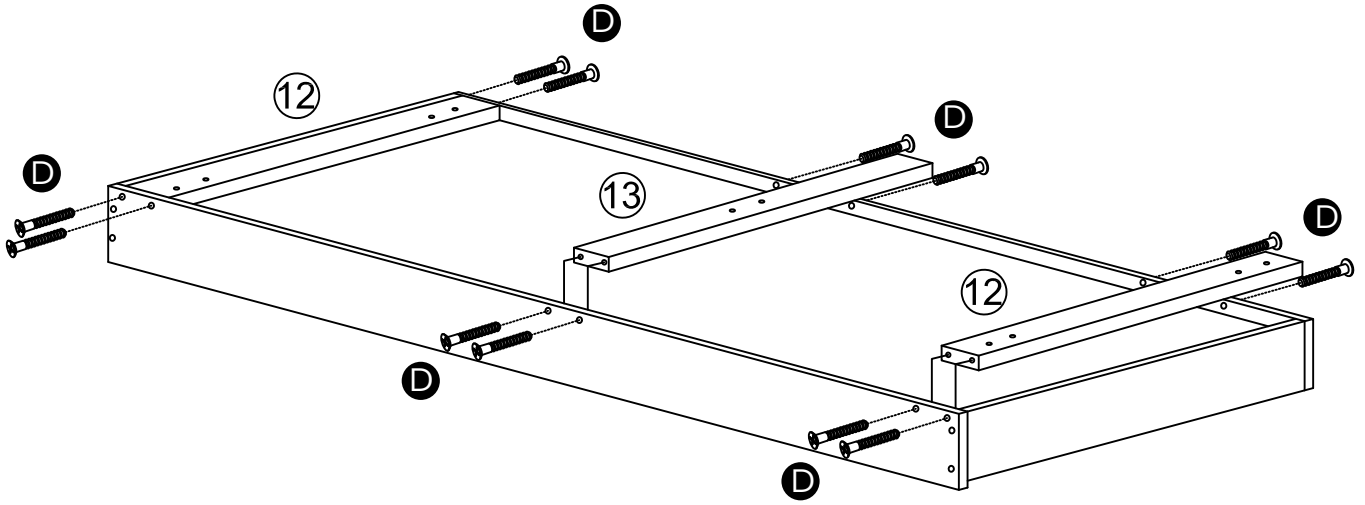
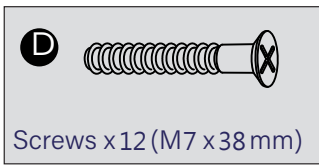
# Step 7



Attach drawer panel (8) to right side drawer and side drawer(10) with 4 x screws 38 mm (D) by cross head screwdriver.

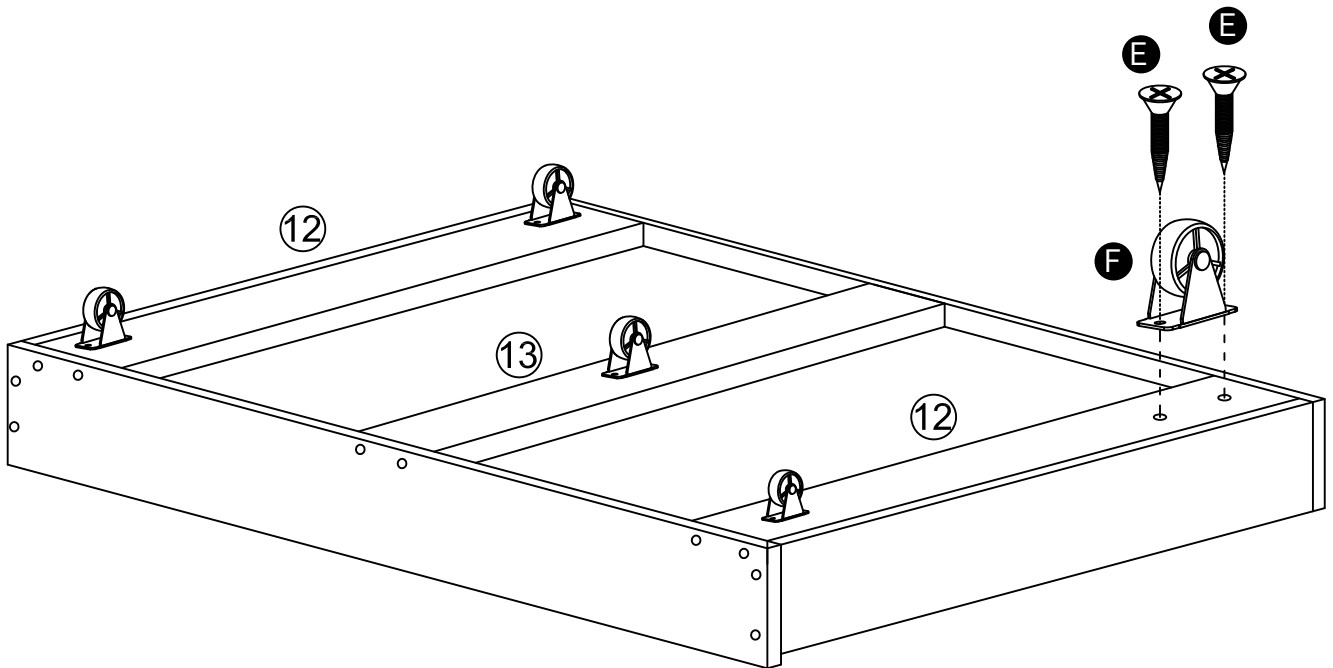
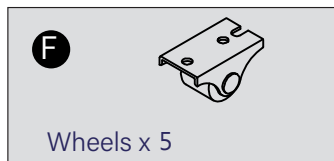
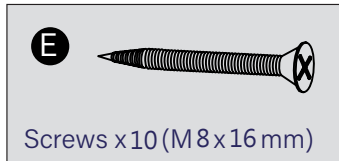


# Step 8



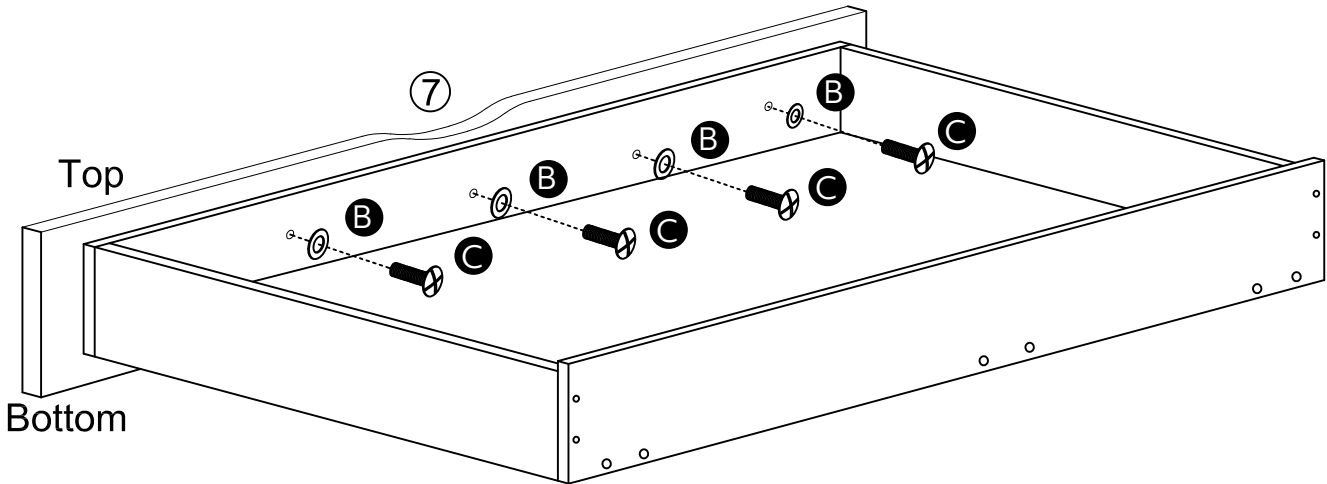
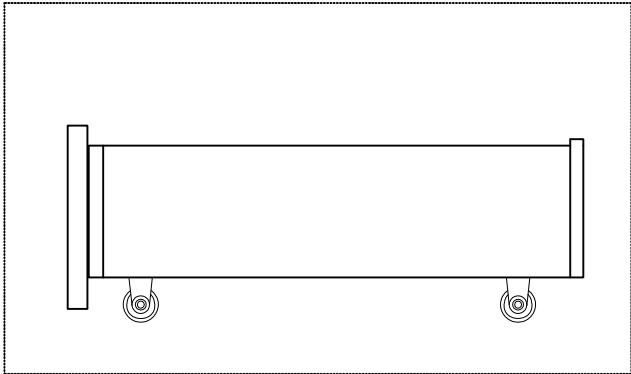
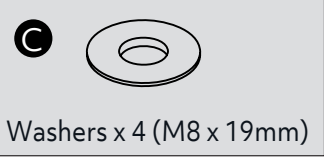
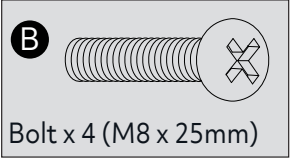
Screw cross bar (12 and 13) with 14 x bolts 38 mm (D) by cross head screwdriver.

# Step 9



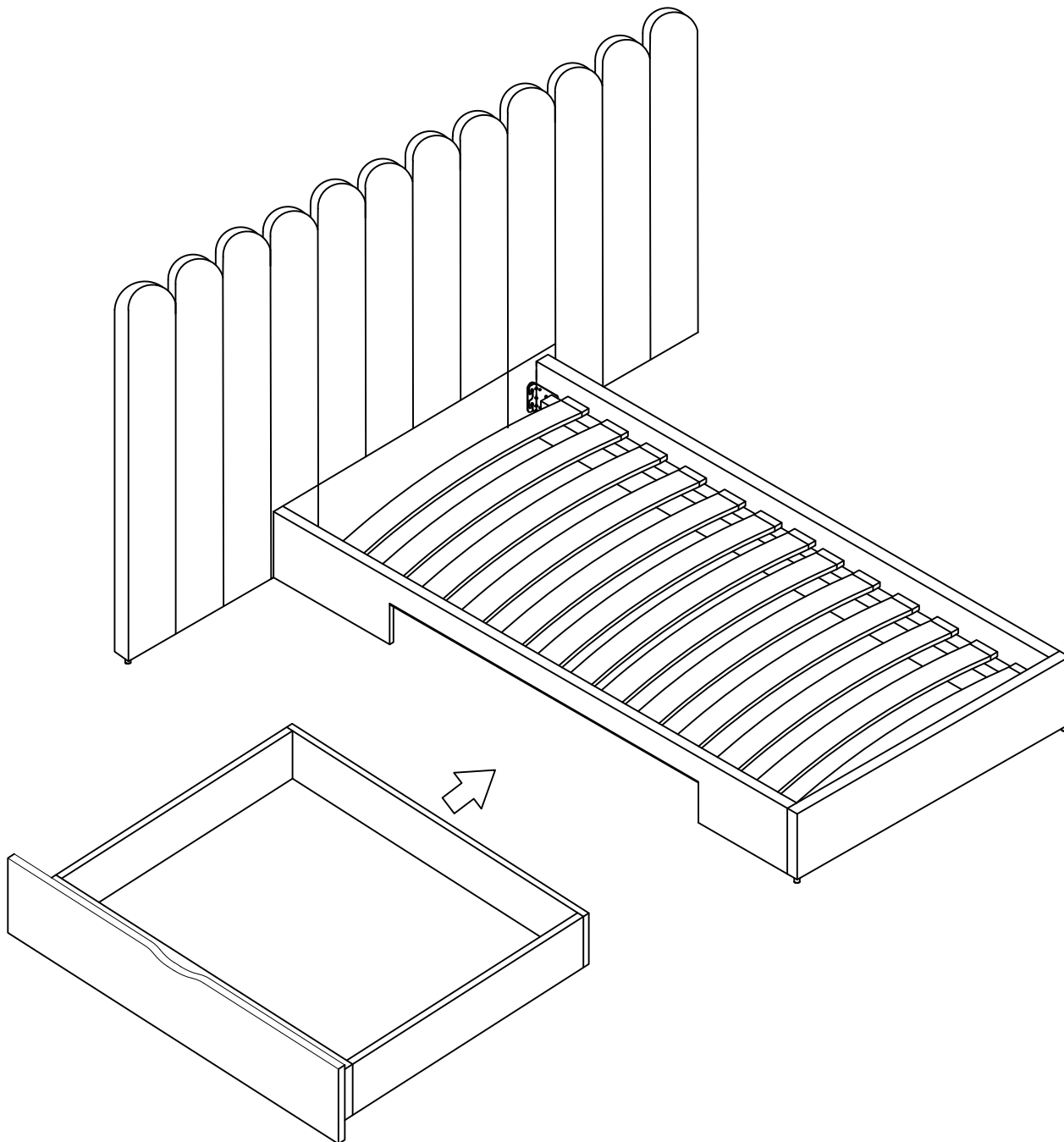
Install 5 wheels (F) to drawer cross bar (12 and 13) with 10 x screws 16 mm (E) by cross head screwdriver.

# Step 10



Attach the drawer to Drawer front ( 7 )with4 x bolts(C) and4x washers(B) .

# Step 11



Put the whole drawer into the bed.

# Care and maintenance

Here are some tips to keep your new bed in tip-top condition



## Cleaning

To clean your new bed, we'd advise using a warm damp cloth or if fabric, remove dust using a low suction vacuum cleaner - please do not use abrasive chemicals or bleach as this may damage the product.



## Checking and moving

Periodically we recommend you check that the screws or fixtures haven't become loose over time. To move your new bed, we recommend lifting it where possible, as dragging or pushing it could cause damage to the legs or flooring.



## Wood

Please note each of our wooden pieces are unique, meaning that markings and shade can vary slightly between beds. Over a period of time, the wood might lighten or fade slightly due to light exposure.



## Fabric

Please note depending on the lighting, positioning and surroundings of your room, the shade of the colour can sometimes appear slightly different. Over a period of time, the colour might lighten or fade slightly due to light exposure.



## Metal

Metal tends to be more resilient to everyday wear and tear. We recommend to gently dust your metal furniture and keep it dry to maintain its look.

**Thank you for shopping with us - we hope you have a great night's sleep**

*Sleep well*



# Little dreamers

Keep the little ones entertained while you assemble your new purchase.



# Dreams

Love your bed