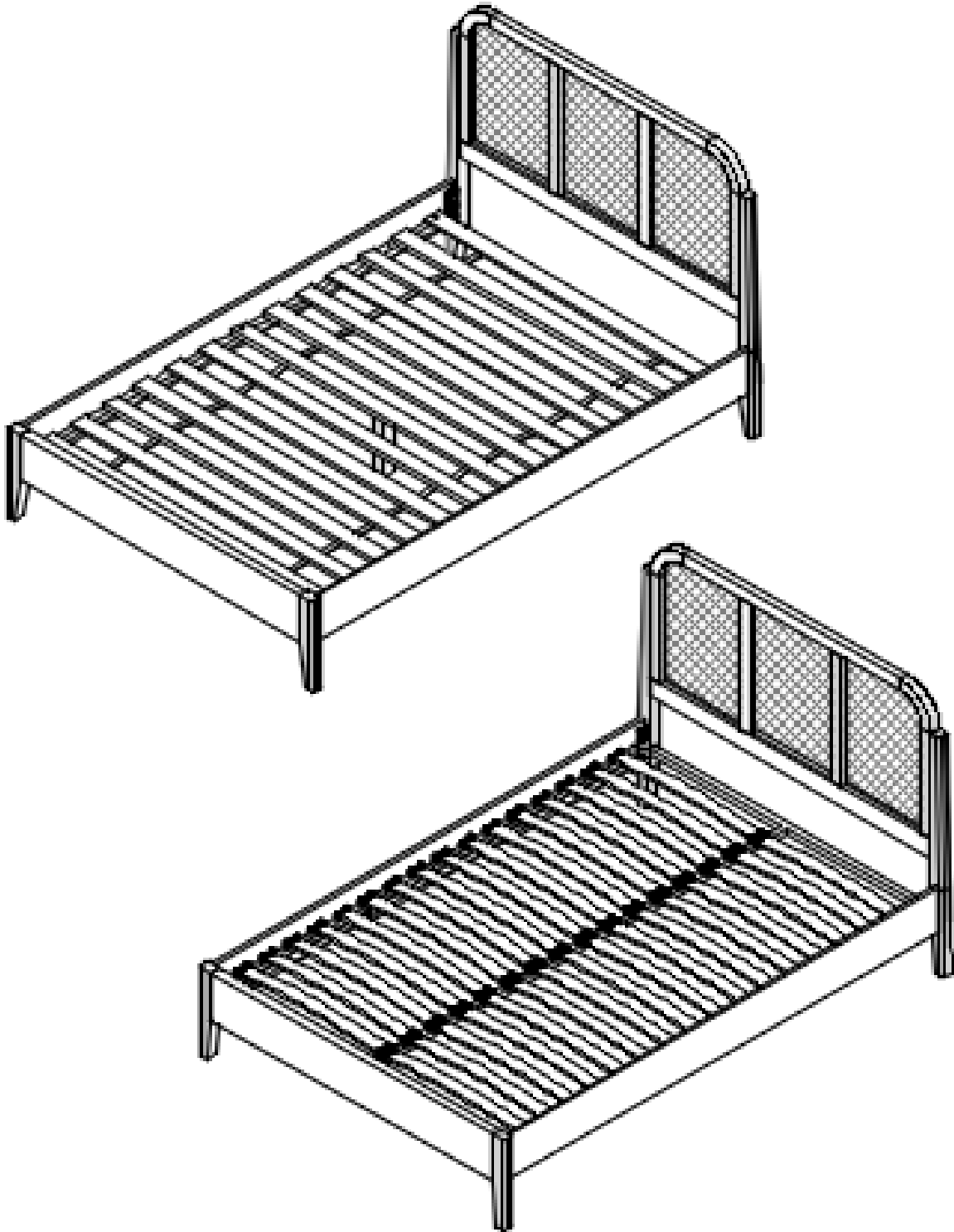


Calder Bed Frame Assembly Instructions



1 hour approx
assembly time



Two person
assembly

Dreams

Thank you

Hello, thanks for choosing to purchase your bed from Dreams - you're now on your way to your best ever night's sleep. Before you begin building your bed, please take a moment to read through the instructions and make sure that you've got all the relevant parts listed on the following pages.



Assembly tips

Before you begin, it's best to identify all parts and fittings to build your bed. We advise laying these out on the floor to check you have everything, and familiarising yourself before building.



Top tip

We recommend that you build your new bed in the room you'd like it to be located - this will help prevent any risk of damage to your newly built bed whilst moving it.



Safety and care

It's really important to ensure children and animals are kept away from the assembly area, as there are small components used in this bed which could present a choking hazard. All plastic and wrapping materials should also be kept away from children and animals to prevent any risk of suffocation. To keep your little ones busy, there is a colouring page inside the back cover.



Help and support

At Dreams, it's our mission to give the whole nation a great night's sleep – this means that the quality of our products is of utmost importance to us. If there are any issues with your product or any missing parts, please visit our website at www.dreams.co.uk/help



Recycling

Please ensure that packaging is disposed of in a safe and environmentally friendly way, and recycle where possible. Please keep your assembly instructions safe to refer back to in the future.

Parts

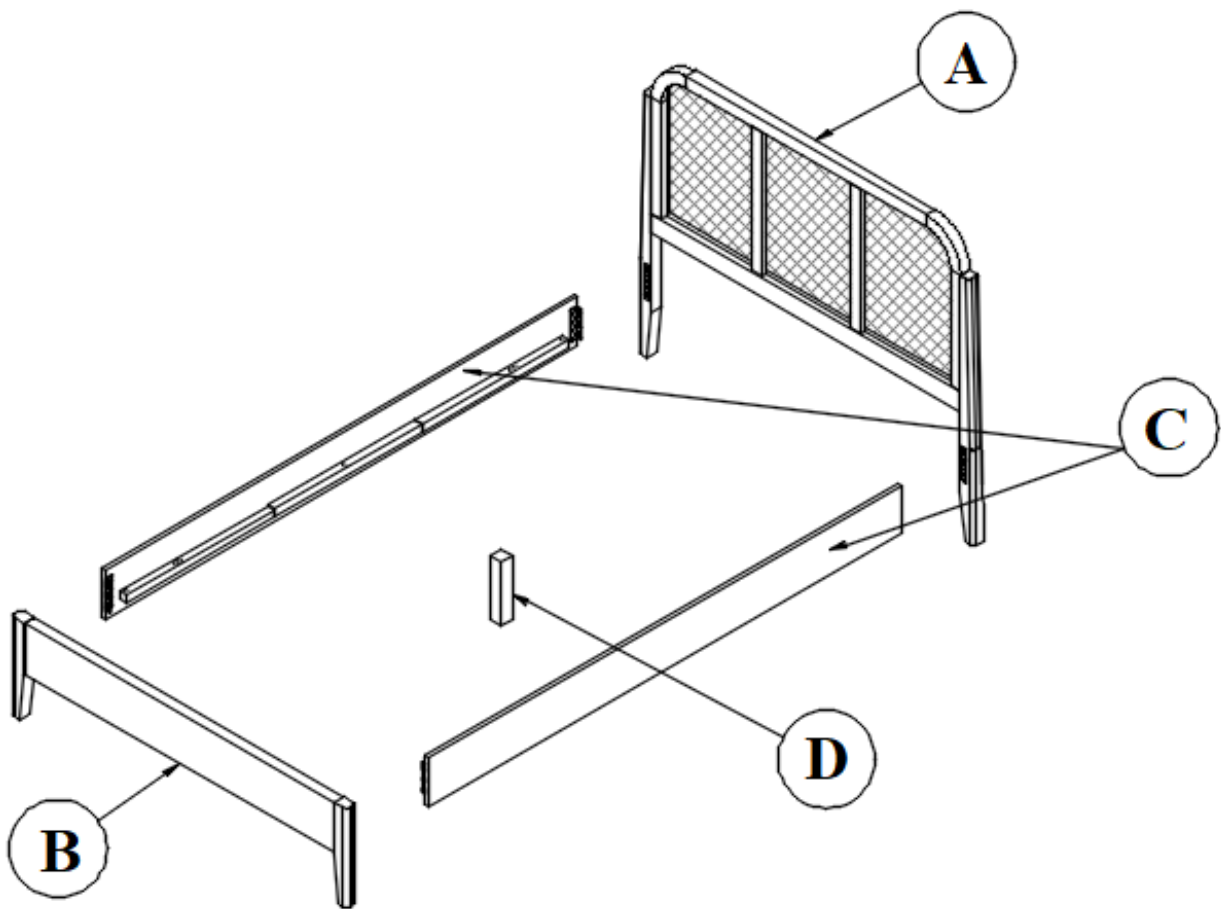
Important Information

Please identify which base you have purchased with your bed frame as the assembly method may change. Once you have identified you have all of the relevant parts and fittings, please follow the instructions for your chosen base below;

Bed assembly Page (Pay 5)

Solid slats Page (Page 6)

Sprung slats Page (Page 7)

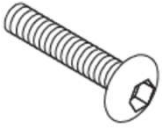


Parts list

A.	HEADBOARD	QTY	1
B.	FOOTBOARD	QTY	1
C.	SIDE RAILS	QTY	2
D.	SUPPORT LEG	QTY	1

Fittings

Please check you have all the parts listed below with your product:



H1: JCN x 45mm
Qty: x6



H2: Metal Washer
Qty: x6



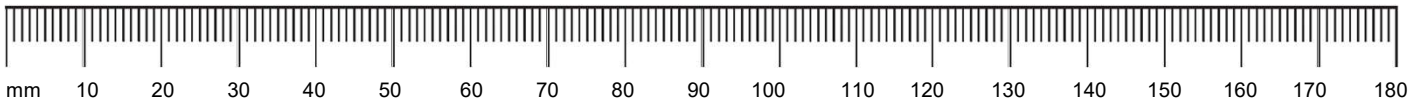
H3: Allen Key
Qty: x2



H4: JCN NUT
M6 x 15mm
Qty: x6



H5: M4 x 35mm
Qty: x1



Tools required

Please check you have all these below:



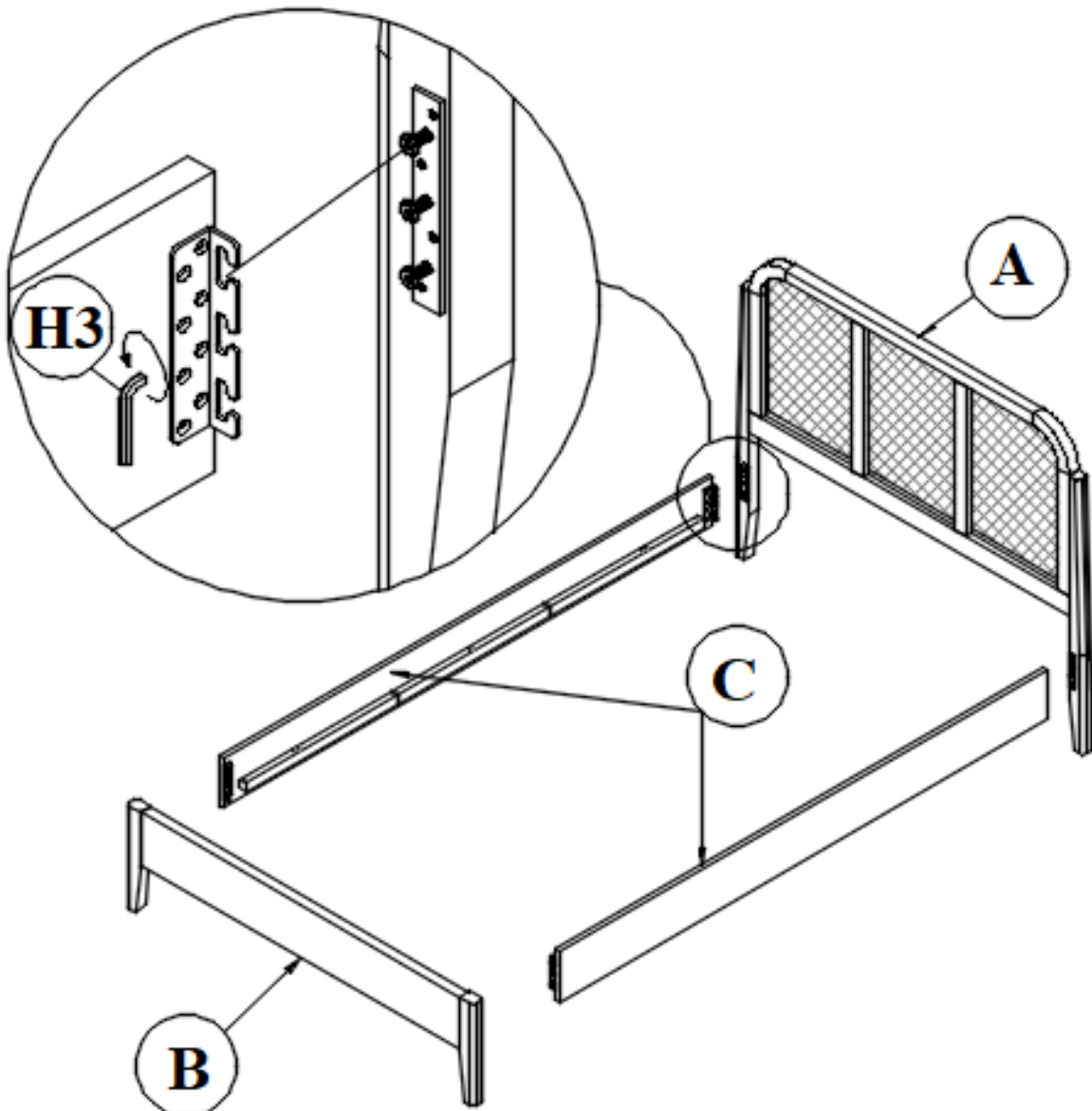
Cross head
screwdriver

Bed assembly

Use Pack "1&2"

1

Use bolt (mounted on the HEADBOARD and FOOTBOARD) to fix the SIDE RAILS (C) onto HEADBOARD (A) and FOOTBOARD (B) by using Allen Key (H3).



Solid slat assembly

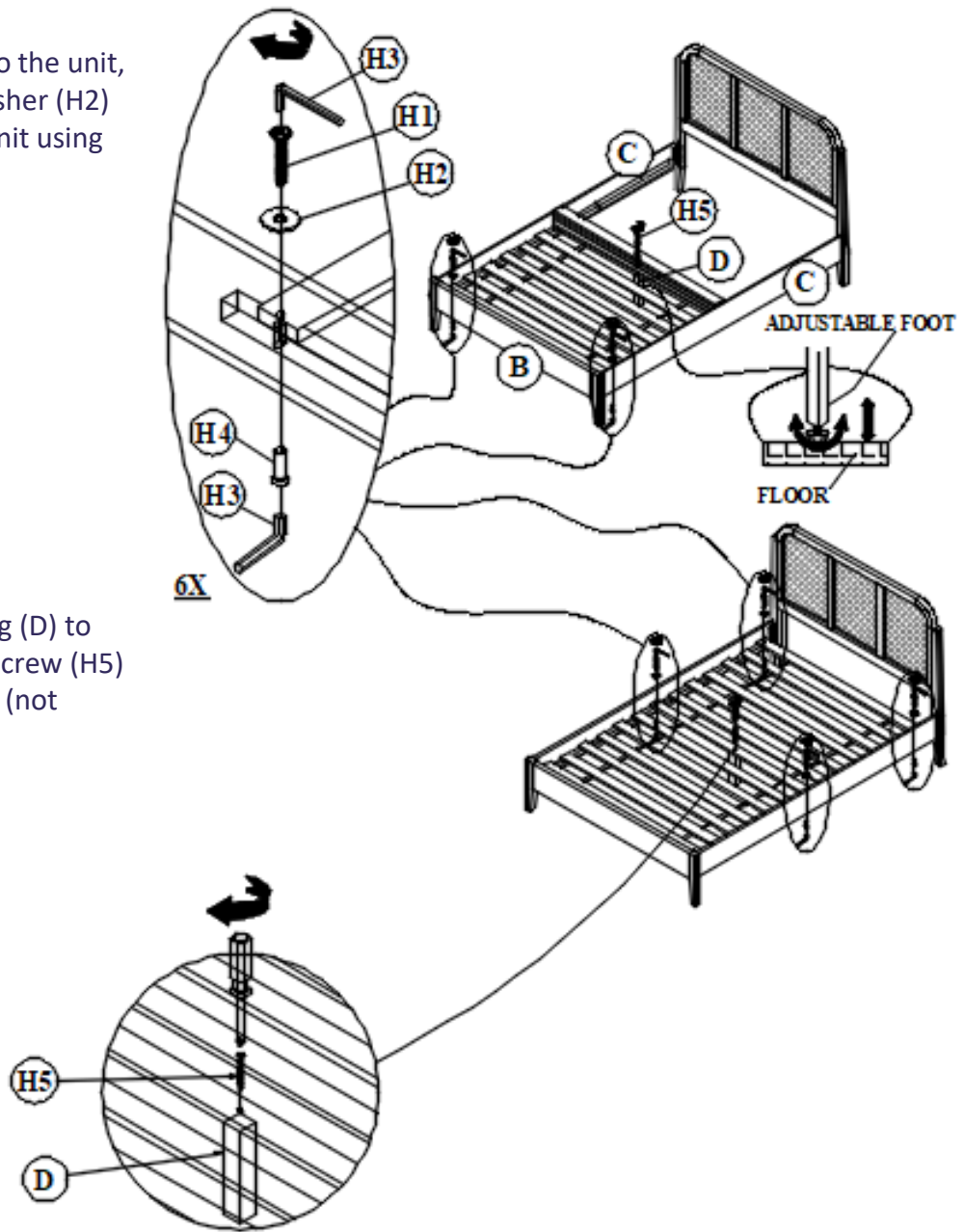
Use Pack "1&2"



Carefully locate the slats onto the unit, as step 2 : Use Bolt (H1), Washer (H2) and Nut JCN (H4) to fix the unit using Allen Key (H3).



Fit the adjustable Support Leg (D) to the centre slat. Secure with screw (H5) using Crosshead Screwdriver (not provided).

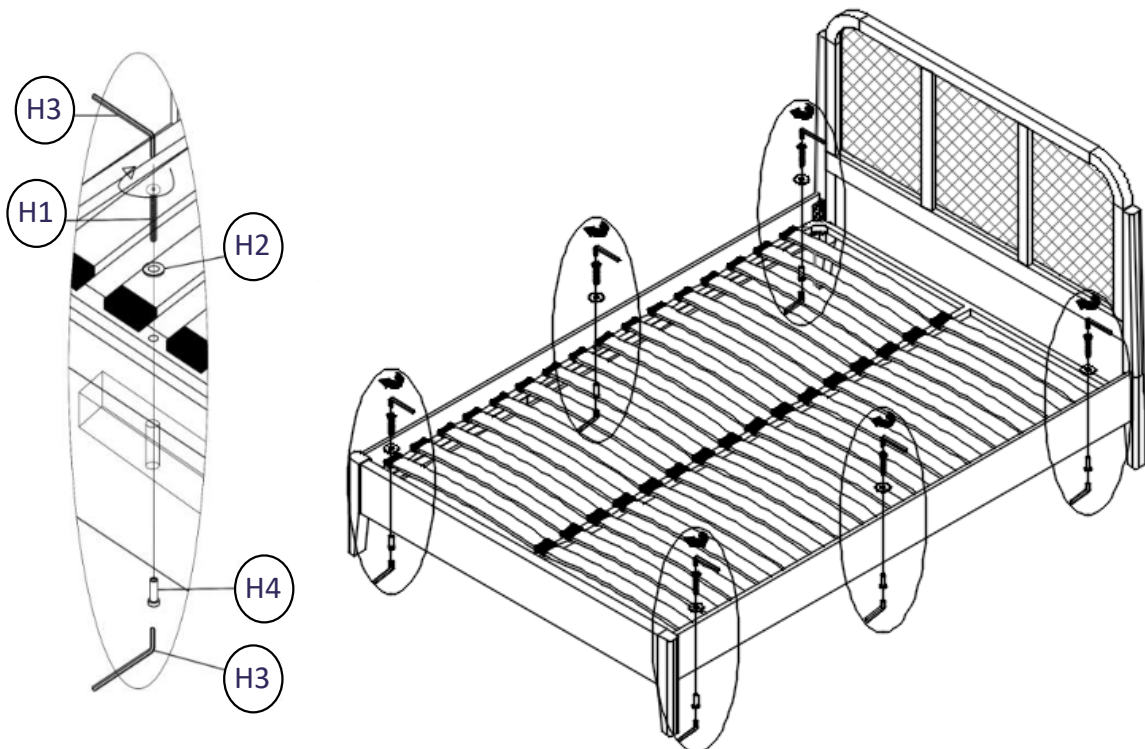
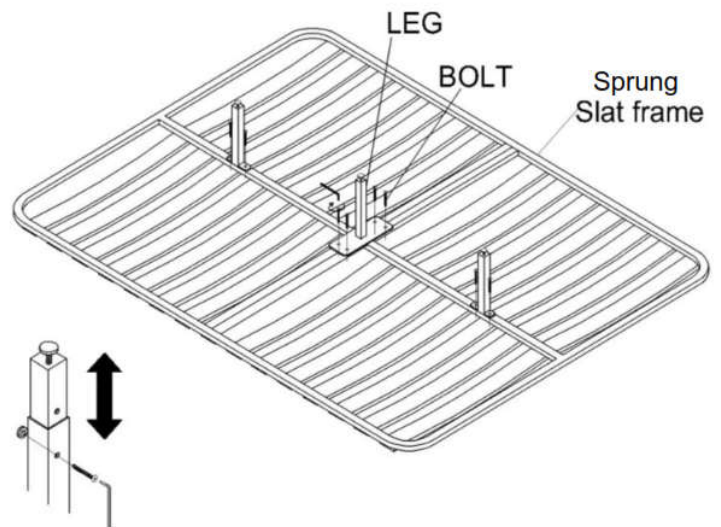


Sprung slat assembly

Use Pack "1&2 & Sprung Slat"

1

- Use the bolt to fix Support Leg onto the slat frame. Please note that these bolts are to be found inside the slat frame box.
- Carefully locate the slat onto the unit.
- Use bolt (H1), Washer (H2) and Nut JCN (H4) to fix the unit using Allen Key (H3).



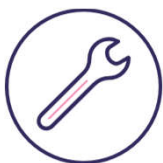
Care and maintenance

Here are some tips to keep your new bed in tip top condition



Cleaning

To clean your new bed, we'd advise using a warm damp cloth please do not use abrasive chemicals or bleach as this may damage the product.



Checking and moving

Periodically we recommend you check that the screws or fixtures haven't been become loose, over time. To move your new bed, we recommend lifting it where possible, as dragging or pushing it could cause damage to your flooring.



Wood

Please note each of our wooden pieces are unique, meaning that markings and shade can vary slightly between beds. Over a period of time, the wood might lighten or fade slightly due to light exposure.



Metal

Metal tends to be more resilient to everyday wear and tear. We recommend to gently dust your metal furniture and keep it dry to maintain its look.

Thank you for shopping with us we hope you have a great night's sleep

Sleep well



Little dreamers

Keep the little ones entertained while you assemble your new purchase.



Dreams