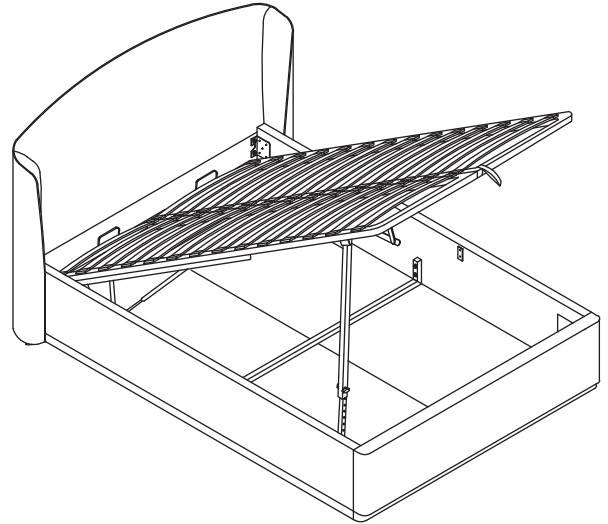
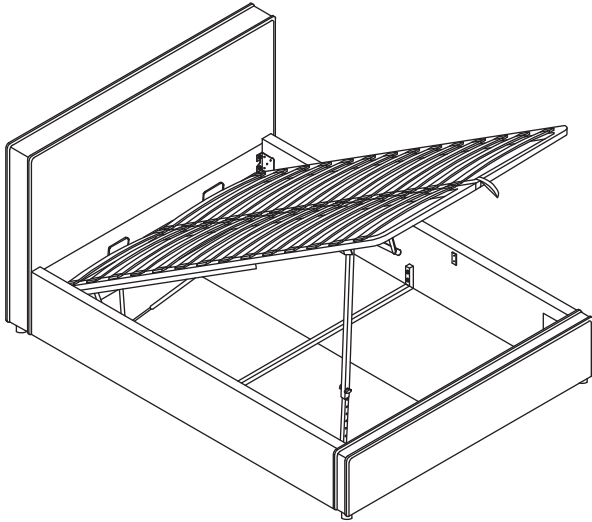


Ottoman Storage Bed Metal Slat Frame

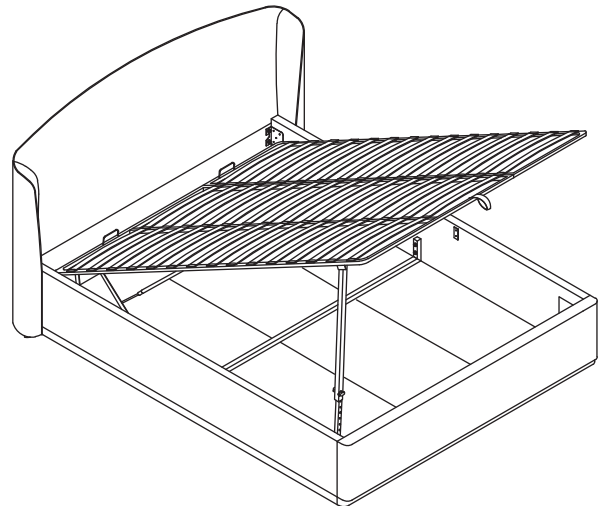
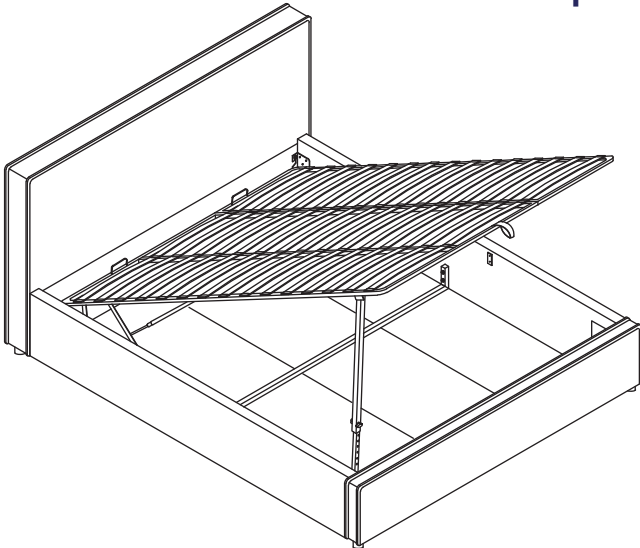
Bethany

Chloe

Double & King Size



Super King Size



1.5 hour approx
assembly time



Two person
assembly

MK1 230405

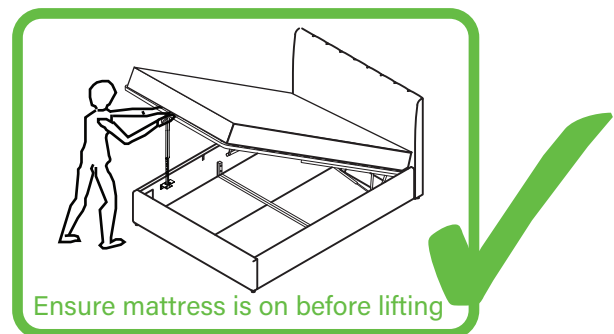
Dreams

IMPORTANT OTTOMAN SAFETY WARNINGS

- **IMPORTANT - READ CAREFULLY - RETAIN FOR FUTURE REFERENCE**
- **You must ensure that the mattress is on the bed frame before operating the lift mechanism - Failure to do so could result in injury.**
- **Keep hands clear of the mechanism when opening or closing the ottoman.**
- **Beware of entrapment - Never reach in through the mechanism to access the storage area.**
- **Always ensure that the ottoman is FULLY opened before accessing the storage area.**
- **Do not exceed the maximum weight as specified in the table below:**

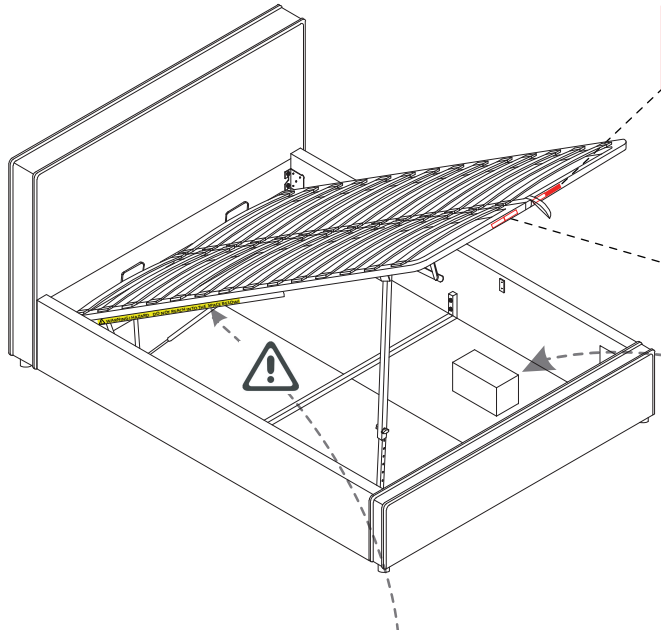
Bed	Bed Size	Min Weight (kg)	Max Weight (kg)
Bethany & Chloe Metal Slat Frame	Double	20	50
	King	20	55
	Super King	25	60

IMPORTANT OTTOMAN SAFETY WARNINGS Cont.



- **Use caution when operating, always use the handle when lifting.**
- **Note: This bed uses a pressurised mechanism.**
- **To be operated by adults only.**
- **Please ensure that children and pets are kept away from the bed when operating the lift mechanism.**
- **Keep children and pets away from the storage area.**
- **Do not overload the internal storage base.**
- **Do not stand inside the internal storage area of the bed.**
- **Before removing the mattress secure the frame to ensure it does not open unexpectedly.**
- **Do not attempt to lie on the mattress when the ottoman is in the raised position.**
- **When lifting the ottoman, remove all bedding except the fitted sheet.**

Bethany



WARNING: ONLY USE THE HANDLE TO LIFT & LOWER THE BED FRAME TO AVOID TRAPPING FINGERS!

TO AVOID ACCIDENTS
TO ACCESS THE STORAGE AREA THE OTTOMAN FRAME **MUST BE FULLY OPENED** AND THEN **FULLY CLOSED** AFTERWARDS

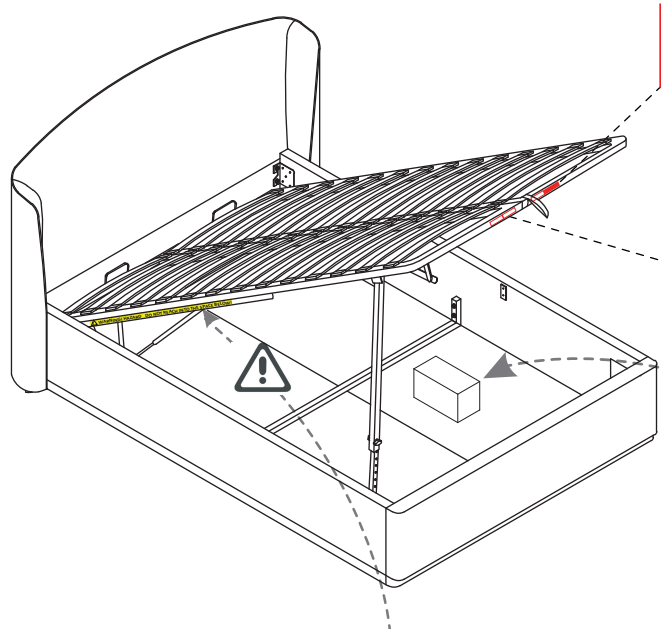
SAFETY WARNING
PLEASE DO NOT ALLOW CHILDREN OR PETS INSIDE THE STORAGE AREA.

SAFETY WARNING
PLEASE BE CAREFUL WHEN LIFTING. ONLY LIFT WITH MATTRESS ON TOP. TO BE OPERATED BY ADULTS ONLY.

Note: Be very careful what you store under the bed - the top of an item, like a suitcase or a box must not touch the slats or they may be damaged. Maximum storage height is 23 cm.

! WARNING! HAZARD - DO NOT REACH INTO THE SPACE BELOW!

Chloe



WARNING: ONLY USE THE HANDLE TO LIFT & LOWER THE BED FRAME TO AVOID TRAPPING FINGERS!

TO AVOID ACCIDENTS
TO ACCESS THE STORAGE AREA THE OTTOMAN FRAME **MUST BE FULLY OPENED** AND THEN **FULLY CLOSED** AFTERWARDS

SAFETY WARNING
PLEASE DO NOT ALLOW CHILDREN OR PETS INSIDE THE STORAGE AREA.

SAFETY WARNING
PLEASE BE CAREFUL WHEN LIFTING. ONLY LIFT WITH MATTRESS ON TOP. TO BE OPERATED BY ADULTS ONLY.

Note: Be very careful what you store under the bed - the top of an item like a suitcase or a box must not touch the slats or they may be damaged. Maximum storage height is 24 cm.

! WARNING! HAZARD - DO NOT REACH INTO THE SPACE BELOW!

Ottoman Beds - Important Safety Features

Our aim is always to give you the best experience and to ensure every effort has been made to guarantee your comfort and safety. Please take time to look at these instructions as they will help remind you how to operate your ottoman bed safely.

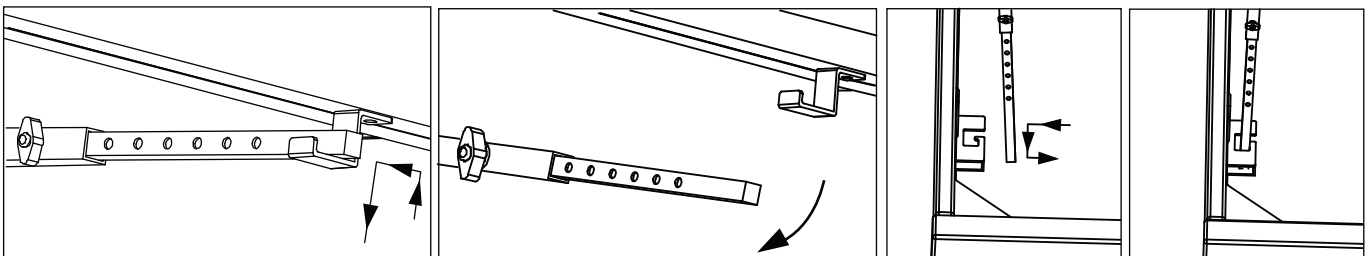
Here's a few things you need to remember;

- ✓ **Pistons are already assembled in their correct orientation - this improves piston performance and durability.**
- ✓ **"Break in " the piston seals on first use by raising & lowering the platform at least five times.**
- ✓ **Recommended mattress weights - do not exceed the maximum relevant weight specified on the Assembly Instruction.**
- ✓ **Ottoman support bar - always engage the support bar when accessing the ottoman storage area.**

Read all the instructions before using your Ottoman bed-frame and save the instruction booklet for future reference.

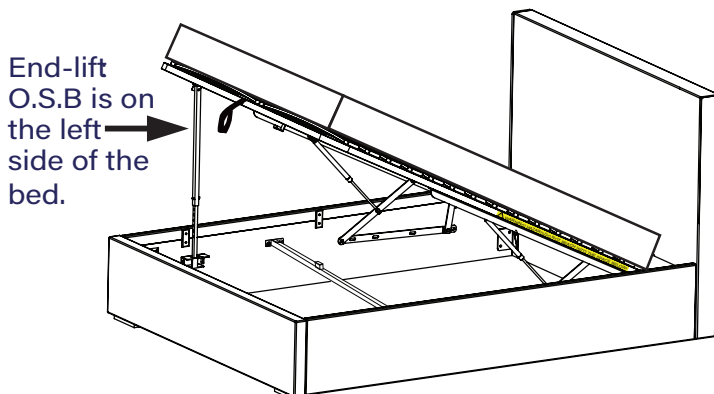
Ottoman Support Bar (O.S.B.)

For optimal safety during operation, always ensure the O.S.B. is engaged when accessing the ottoman storage area.

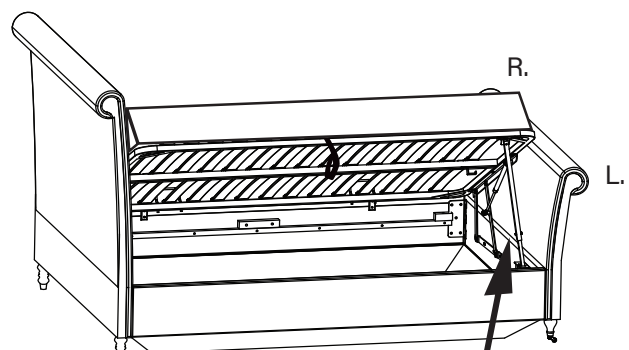


1. Always raise the ottoman slat-frame to its highest position before using the storage area.
Locate the end of the O.S.B and insert into the fixed retaining bracket on the bed frame.
2. When you are ready to lower the ottoman platform, return the O.S.B to its original parking position.
3. Always ensure that the O.S.B is in position when the ottoman is open, this prevents injury, or damage to the product.

Location of the O.S.B



End-lift O.S.B is on the left side of the bed.



Side-lift O.S.B is on either the left side or right side of the footend.

WARNING! Risk of Entrapment

- The pistons on the ottoman bed frame can support a maximum load (evenly spread) as indicated in the Minimum and Maximum load table, on Page 2 of this Assembly Instruction.
- Overloading the sleeping platform may contribute to damage to the product resulting in potential serious injury.
- Do not sit on the mattress whilst the platform is in motion or is in the raised position.
- Users should only get in and out of bed when platform is in the flat (horizontal) position.

Thank You

Dear Customer, Thank you for choosing to purchase your bed from Dreams - we hope it brings you your best ever night's sleep. Before you begin building your bed, please take a moment to read through the instructions and make sure that you've got all the relevant parts listed on the following pages.



Assembly tips

Before you begin, it's best to identify all parts and fittings to build your bed. We advise laying these out on the floor to check you have everything, and familiarising yourself before building.



Top tip

We recommend that you build your new bed in the room you'd like it to be located - this will help prevent any risk of damage to your newly built bed whilst moving it.



Safety and care

It's really important to ensure children and animals are kept away from the assembly area, as there are small components used in this bed which could present a choking hazard. All plastic and wrapping materials should also be kept away from children and animals to prevent any risk of suffocation. To keep your little ones busy, there is a colouring page inside the back cover.



Help and support

At Dreams, it's our mission to give the whole nation a great night's sleep - this means that the quality of our products is of utmost importance to us. If there are any issues with your product or any missing parts, please contact our Help Centre on 0800 652 6750, where a member of our team will be happy to help. (For customers based in Northern Ireland, please call 028 9050 8300)



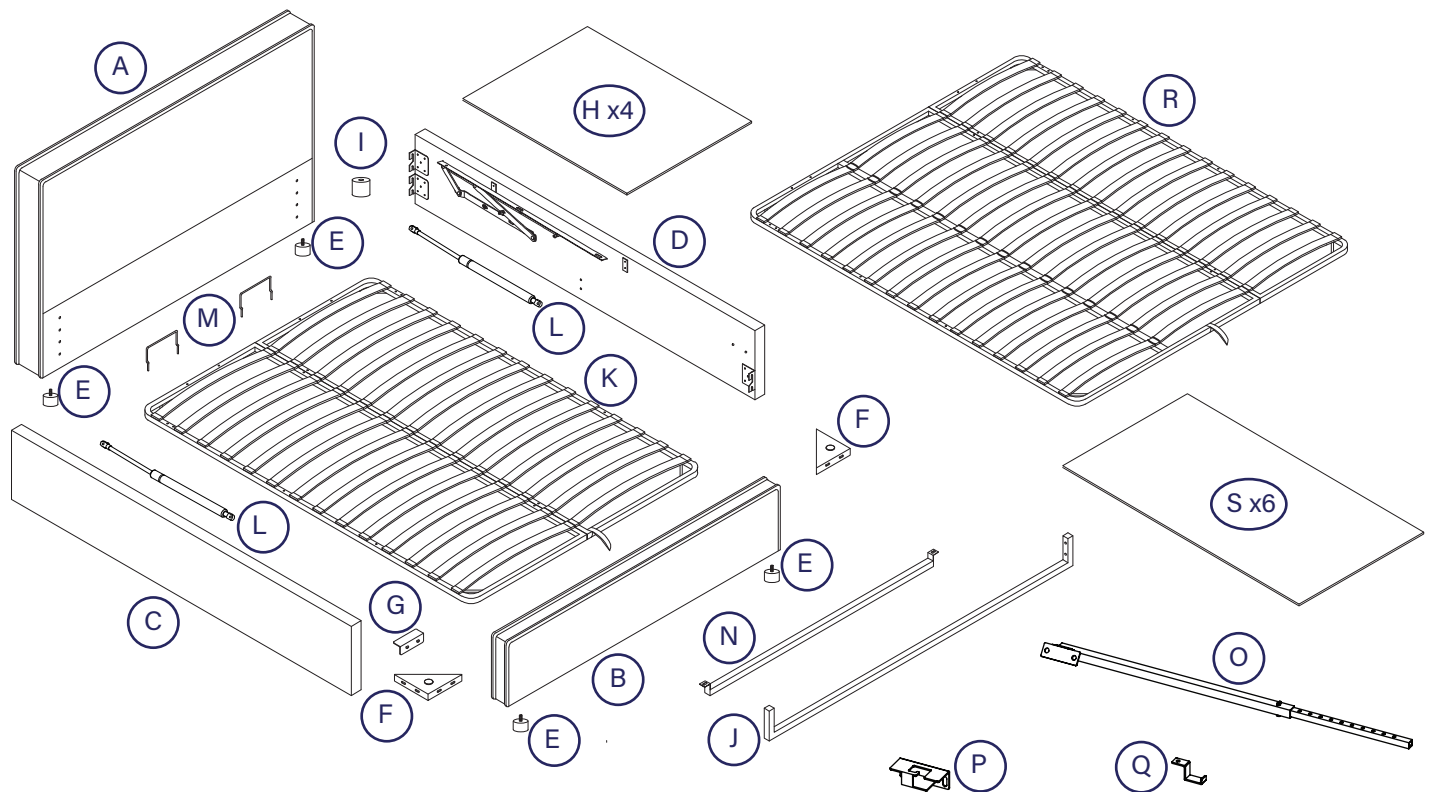
Recycling

Please ensure that packaging is disposed of in a safe and environmentally friendly way, and recycle where possible. Our assembly instructions are printed on recycled paper. Please keep your assembly instructions safe to refer back to in the future.

Parts for Bethany Storage Bed

Important information

The bed you have purchased comes complete with it's own metal slat frame, please follow the instructions below in the current order. Before you begin building your bed, please take a moment to read through the instructions and make sure that you've got all the relevant parts listed on the following pages.



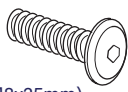


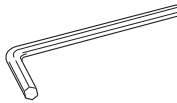
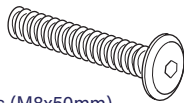
Parts list

Code	Description	Qty	Box	Code	Description	Qty	Box
A.	Headboard	1	1	K.	Metal Slat Frame for Double or King size	1	3A
B.	Footboard	1	4	L.	Piston for Gas Lift Mechanism	2	3A
C.	Side Rail - Left	1	2	M.	Mattress Stoppers	2	3A
D.	Side Rail - Right	1	2	N.	Cross Bar Double & King/Super King	1/2	3A
E.	Feet	4	4	Only for Super King size			
F.	Angled Corner Brackets	2	3A	R.	Metal Slat Frame	1	3A
G.	Support Brackets Double & King/Super King	1/2	3A	S.	Storage Base Boards	6	3A
H.	Storage Base Boards	4	3A	Ottoman support bar PACK (O.S.B.)			
I.	Feet for Storage Base Boards 32/48 Double & King/Super King		3A	O.	Ottoman support bar	1	2
J.	Side Rail Cross Bar	1	3A	P.	Fixed retaining bracket - side rail	1	2
				Q.	Parking bracket - slat-frame	1	2

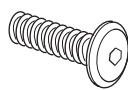


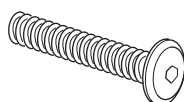
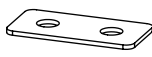
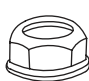
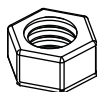

Fittings for Bethany

Please check you have all the fittings listed below with your product:



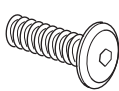
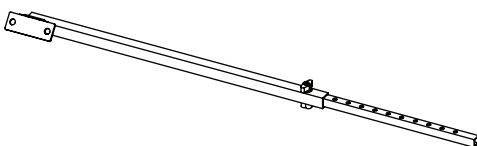
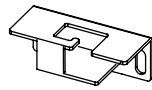
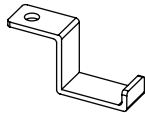
Hardware included for bed assembly (pack A)

<p>a Double & King x22 Super King x24</p>  <p>Bolts (M8x25mm) Fitting side rails (C&D) to headboard & footboard (A&B)</p>	<p>b Double & King x26 Super King x28</p>  <p>Spring Washer for M8 bolt</p>	<p>c Double & King x26 Super King x28</p>  <p>Flat Washer for M8 bolt</p>	<p>d x1</p>  <p>Allen Key for M8 bolt</p>	<p>e x4</p>  <p>Bolts (M8x50mm) Fitting cross bar (J) to side rails (C&D)</p>
---	---	---	---	---

Hardware included for metal slat frame assembly (pack B)

<p>a x6</p>  <p>Bolts (M8x25mm) Fitting cross bar (N) and metal connection plates (g) to metal slat frame (K or R)</p>	<p>b x12</p>  <p>Spring Washer for M8 bolt</p>	<p>c x18</p>  <p>Flat Washer for M8 bolt</p>	<p>e x6</p>  <p>Bolts (M8x50mm) Fitting metal slat frame (K or R) to gas-lift mechanisms</p>	<p>g x2</p>  <p>Metal Connection Plates</p>
<p>h x4</p>  <p>Flanged lock-nuts M8 for gas-lift pistons</p>	<p>i x6</p>  <p>Nut for M8 bolts</p>	<p>j x1</p>  <p>Spanner for M8 nut</p>		

Hardware needed for fixing ottoman support bar (O.S.B) to the slat frame Packed in the side rail carton inside Pack 2 - hardware pack (C)

<p>b x5</p>  <p>Spring washer for M8 bolts</p>	<p>c x5</p>  <p>Flat washer for M8 bolts</p>	<p>m x5</p>  <p>Bolts (M8x25mm) for fitting ottoman support bar system</p>	<p>O x1</p>  <p>Ottoman Support Bar</p>
<p>P x1</p>  <p>Fixed retaining bracket - side rail</p>	<p>Q x1</p>  <p>Parking bracket - slat frame</p>		

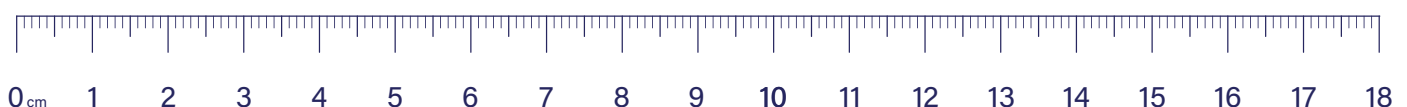
Tools required



Tape measure

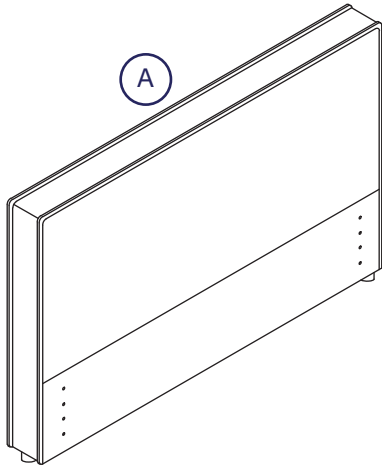


Cross head screwdriver

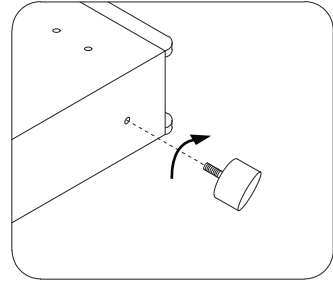


BETHANY

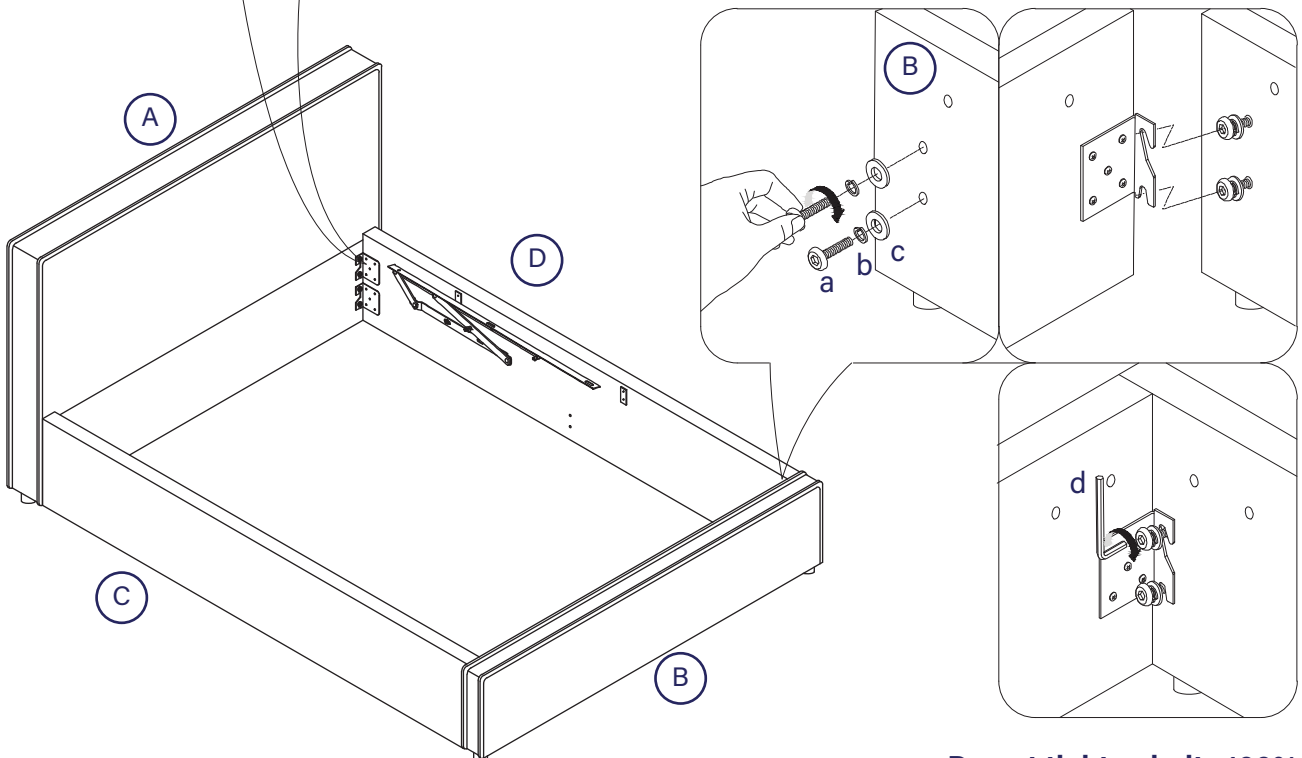
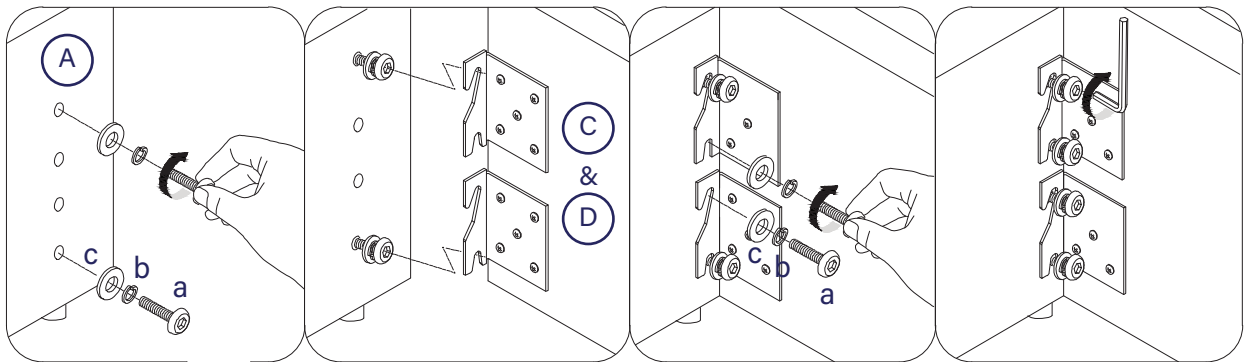
1a Prepare headboard & footboard.



Fit the four feet (E) to headboard & footboard.

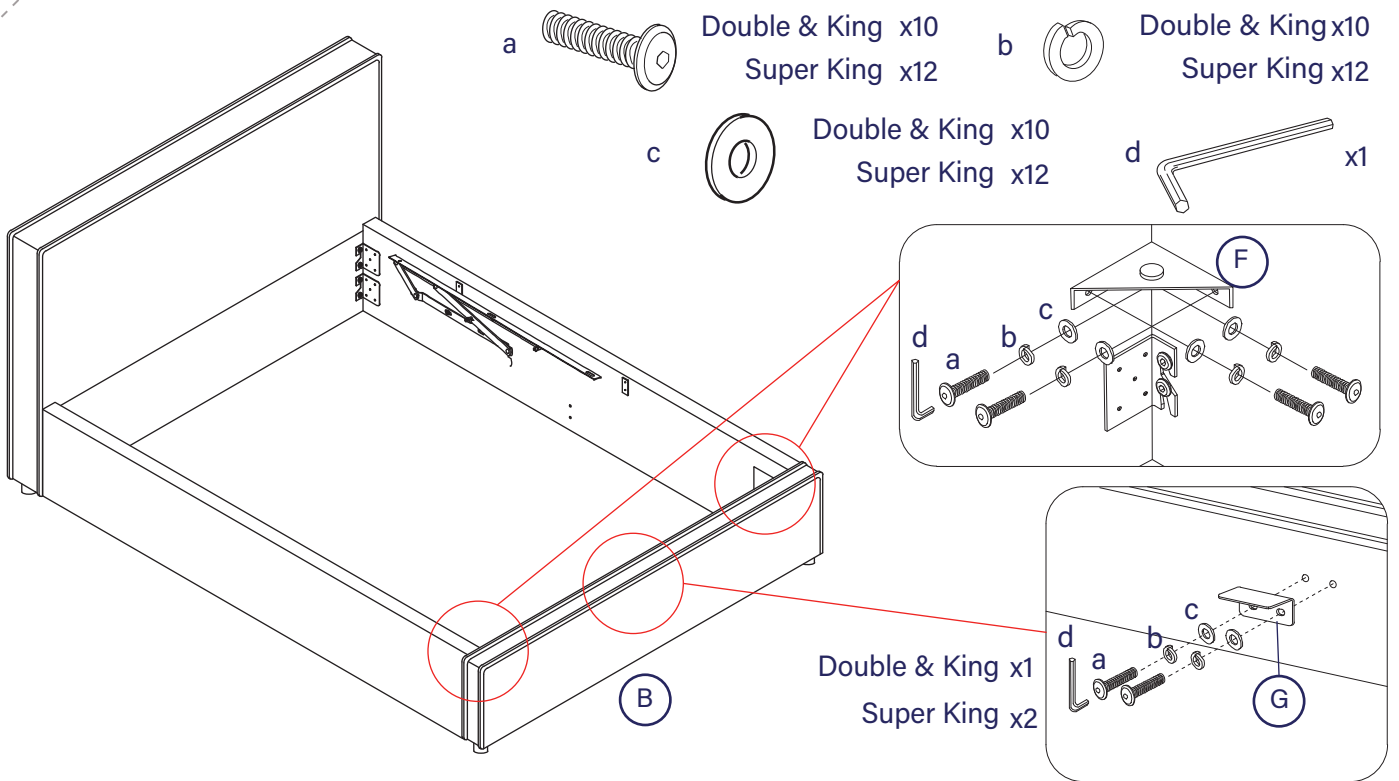


2a Fit both side rails (C&D).



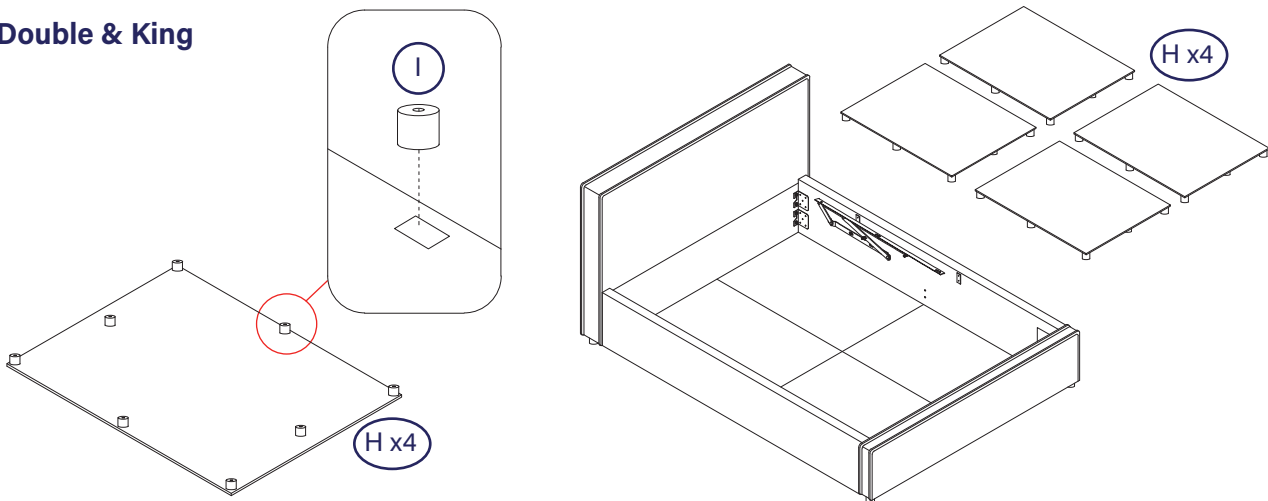
Do not tighten bolts 100% yet.

3a Fit the angled corner brackets (F) and tighten all bolt sets 90%.

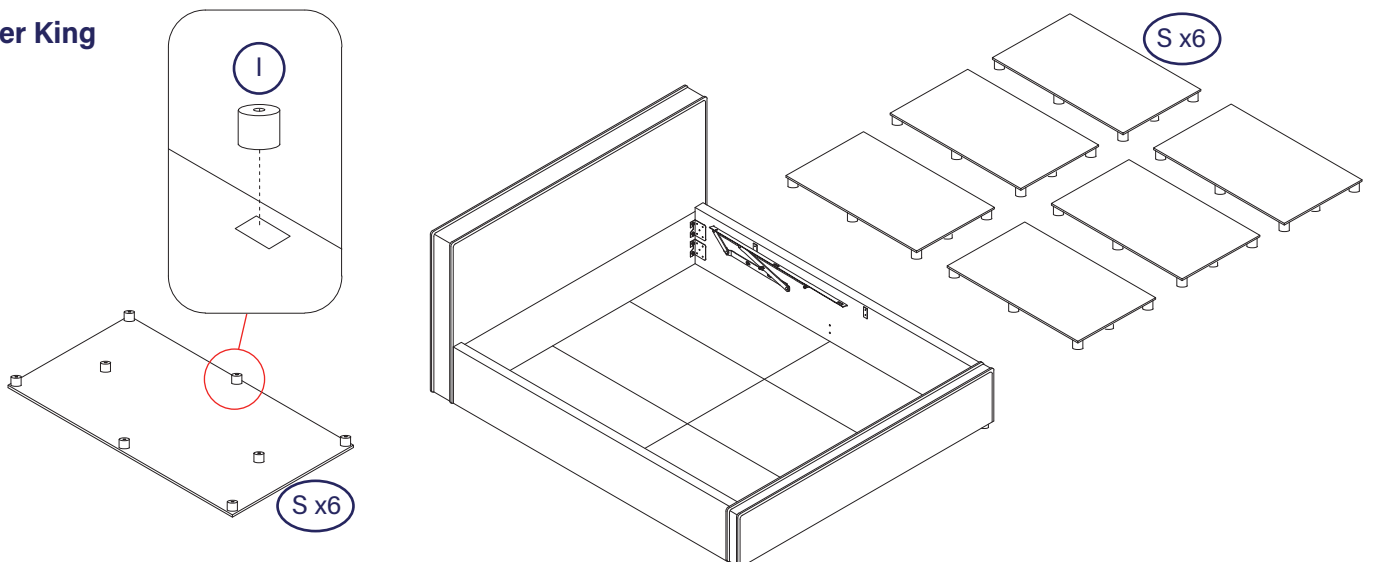


4a Prepare the storage base boards - fit the eight plastic glides (I) to the velcro pads underneath each board.

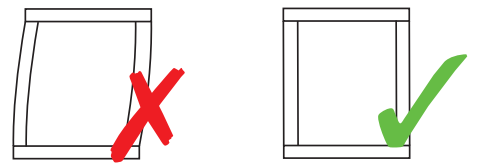
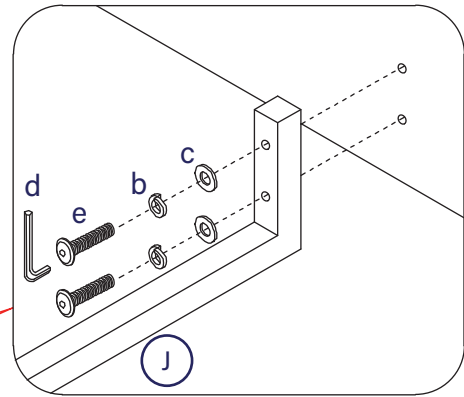
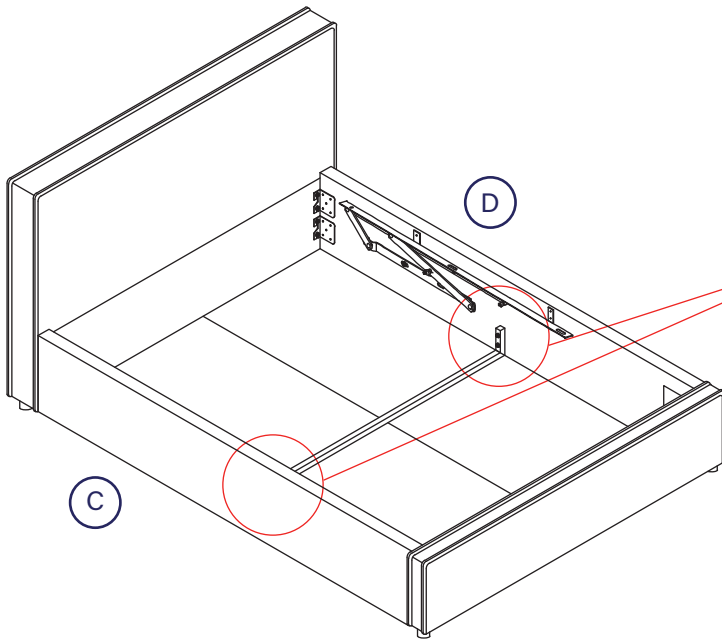
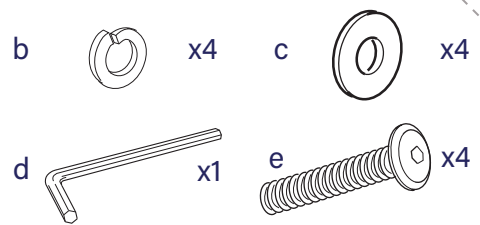
Double & King



Super King

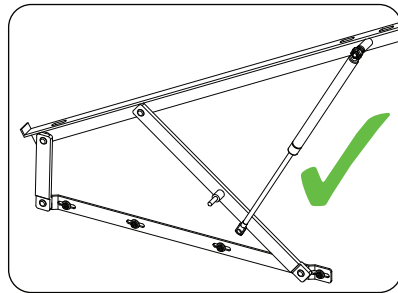
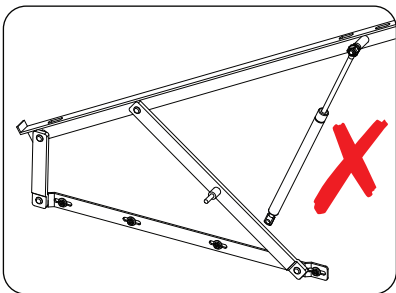


5a Fit the side rail cross bar (J).

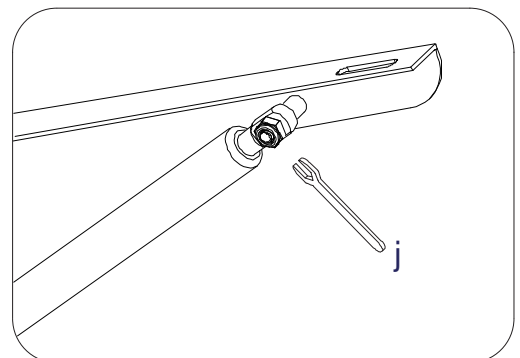
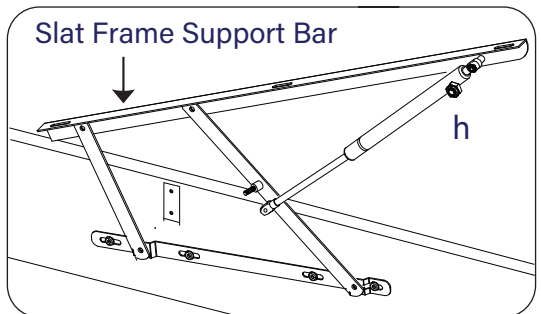


Make certain the bed is squared up as shown in the diagram then tighten all bed assembly bolts 100%.

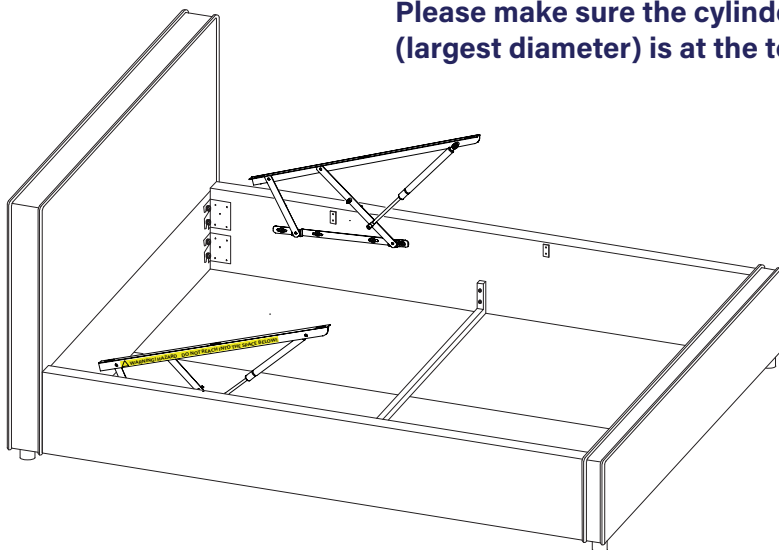
6a Loosely fit the piston stems to the upper axles.



Please make sure the cylinder (largest diameter) is at the top.



**Fit the piston stems to upper axles using lock nuts (h)
Do not tighten these nuts 100%.**

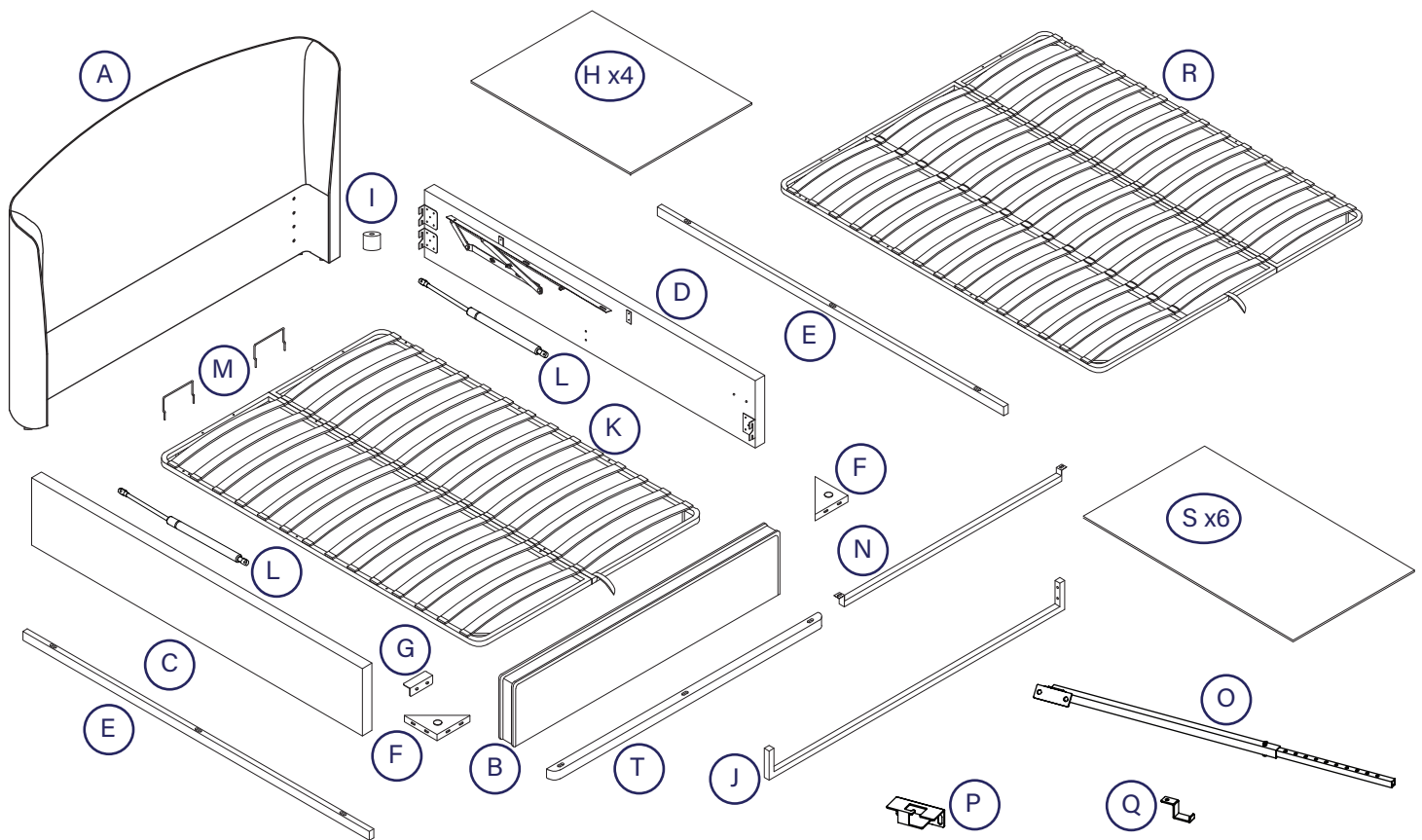


PLEASE CARRY ON THE ASSEMBLY OF BETHANY, FROM STEP (7)

Parts for Chloe Storage Bed

Important information

The bed you have purchased comes complete with it's own metal slat frame, please follow the instructions below in the current order. Before you begin building your bed, please take a moment to read through the instructions and make sure that you've got all the relevant parts listed on the following pages.



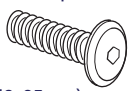



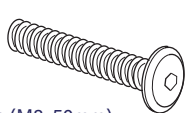
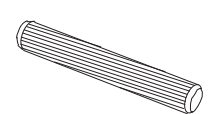
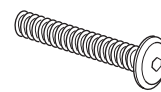


Parts list

Code	Description	Qty	Box	Code	Description	Qty	Box
A.	Headboard	1	1	K.	Metal Slat Frame for Double or King size	1	3A
B.	Footboard	1	4	L.	Piston for Gas Lift Mechanisms	2	3A
C.	Side Rail - Left	1	2	M.	Mattress Stoppers	2	3A
D.	Side Rail - Right	1	2	N.	Cross Bar Double & King/Super King	1/2	3A
E.	Plinths for Side Rail	2	2	T.	Wooden Plinth for Footboard	1	2
F.	Angle Brackets	2	3A	Only for Super King size			
G.	Support Brackets Double & King/Super King	1/2	3A	R.	Metal Slat Frame	1	3A
H.	Storage Base Boards	4	3A	S.	Storage Base Boards	6	3A
I.	Feet for Storage Base Boards 32/48 Double & King/Super King	3A		Ottoman support bar PACK (O.S.B.)			
J.	Side Rail Cross Bar	1	3A	O.	Ottoman support bar	1	2
				P.	Fixed retaining bracket - side rail	1	2
				Q.	Parking bracket - slat-frame	1	2

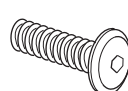


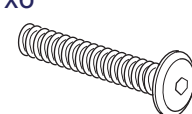


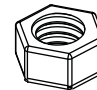

Fittings for Chloe

Please check you have all the fittings listed below with your product:



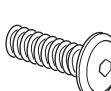
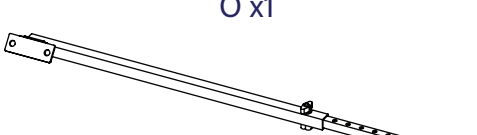
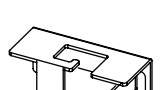
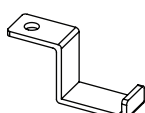
Hardware included for bed assembly (pack A)

<p>a Double & King x22 Super King x24</p>  <p>Bolts (M8x25mm) Fitting side rails (C&D) to headboard & footboard (A&B)</p>	<p>b Double & King x26 Super King x28</p>  <p>Spring Washer for M8 bolt</p>	<p>c Double & King x26 Super King x28</p>  <p>Flat Washer for M8 bolt</p>	<p>d x1</p>  <p>Allen Key for M8 bolt</p>	<p>e x4</p>  <p>Bolts (M8x50mm) Fitting Side Rail Cross Bar (J) to side rails (C&D)</p>
<p>n x4</p>  <p>Wood Dowel (Ø6x40mm)</p>	<p>p x9</p>  <p>Bolts (M6x45mm) Fitting plinths (E & T) to side rails (C & D) & footboard (B)</p>	<p>q x9</p>  <p>Flat Washer (M6x13mm) for M6 bolt</p>	<p>r x1</p>  <p>Allen Key for M6 bolt</p>	

Hardware included for metal slat frame assembly (pack B)

<p>a x6</p>  <p>Bolts (M8x25mm) Fitting cross bar (N) and metal connection plate (g) to metal slat frame (K or R)</p>	<p>b x12</p>  <p>Spring Washer for M8 bolt</p>	<p>c x18</p>  <p>Flat Washer for M8 bolt</p>	<p>e x6</p>  <p>Bolts (M8x50mm) Fitting metal slat frame (K or R) to gas-lift mechanisms</p>	<p>g x2</p>  <p>Metal Connection Plates</p>
<p>h x4</p>  <p>Flanged lock-nuts M8 for gas-lift pistons</p>	<p>i x6</p>  <p>Nuts for M8 bolts</p>	<p>j x1</p>  <p>Spanner for M8 nut</p>		

Hardware needed for fixing ottoman support bar (O.S.B) to the slat frame Packed in the side rail carton, inside Pack 2 - hardware pack (C)

<p>b x5</p>  <p>Spring washer for M8 bolts</p>	<p>c x5</p>  <p>Flat washer for M8 bolts</p>	<p>m x5</p>  <p>Bolts (M8x25mm) for fitting ottoman stay system</p>	<p>O x1</p>  <p>Ottoman support bar</p>
<p>P x1</p>  <p>Fixed retaining bracket - side rail</p>	<p>Q x1</p>  <p>Parking bracket - slat frame</p>		

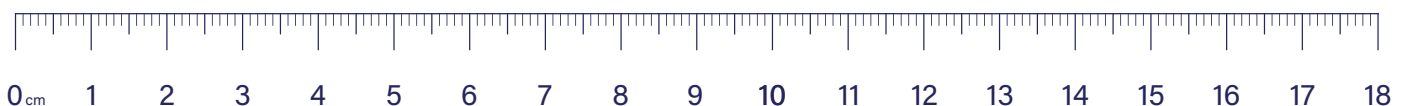
Tools required



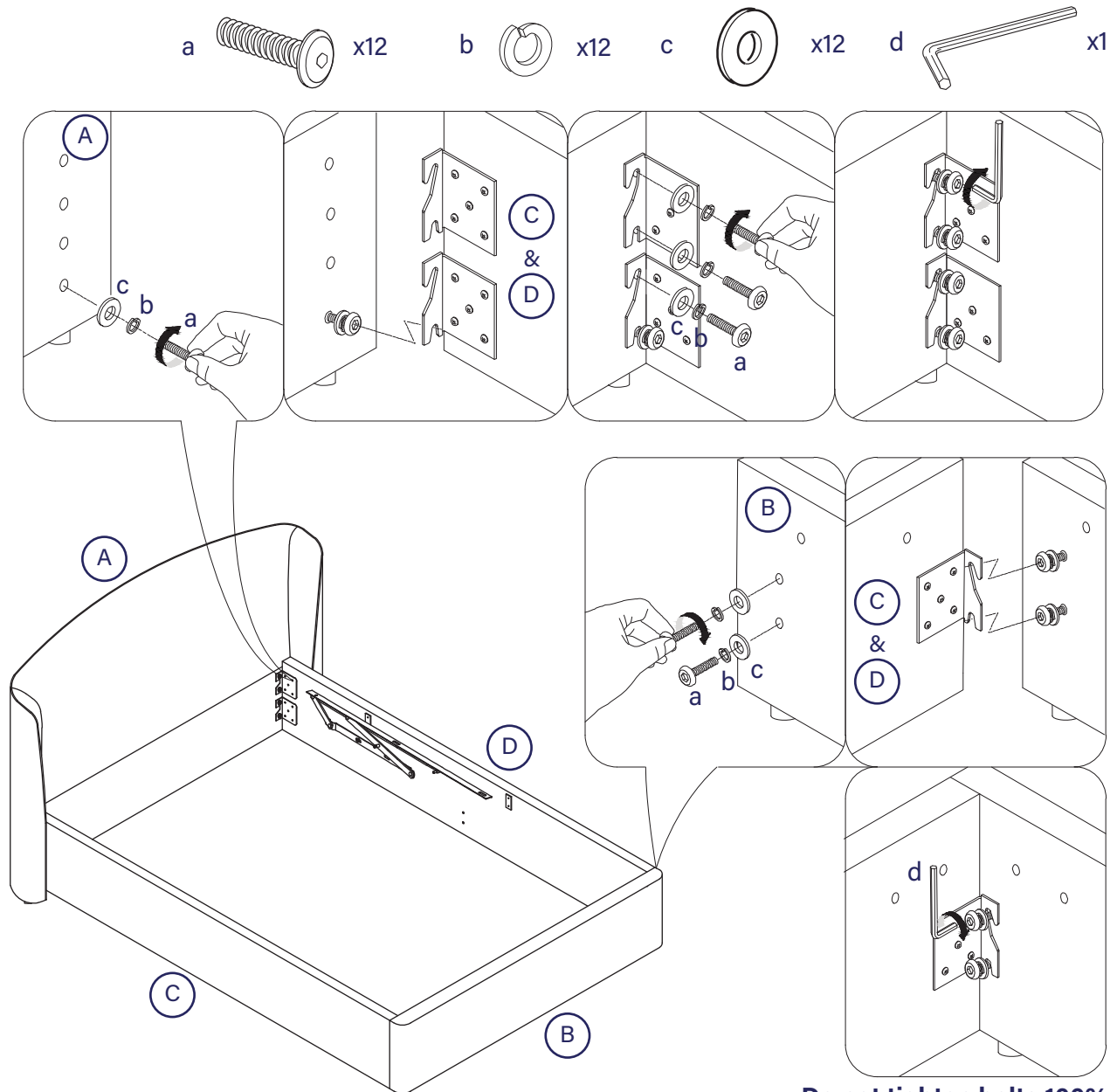
Tape measure



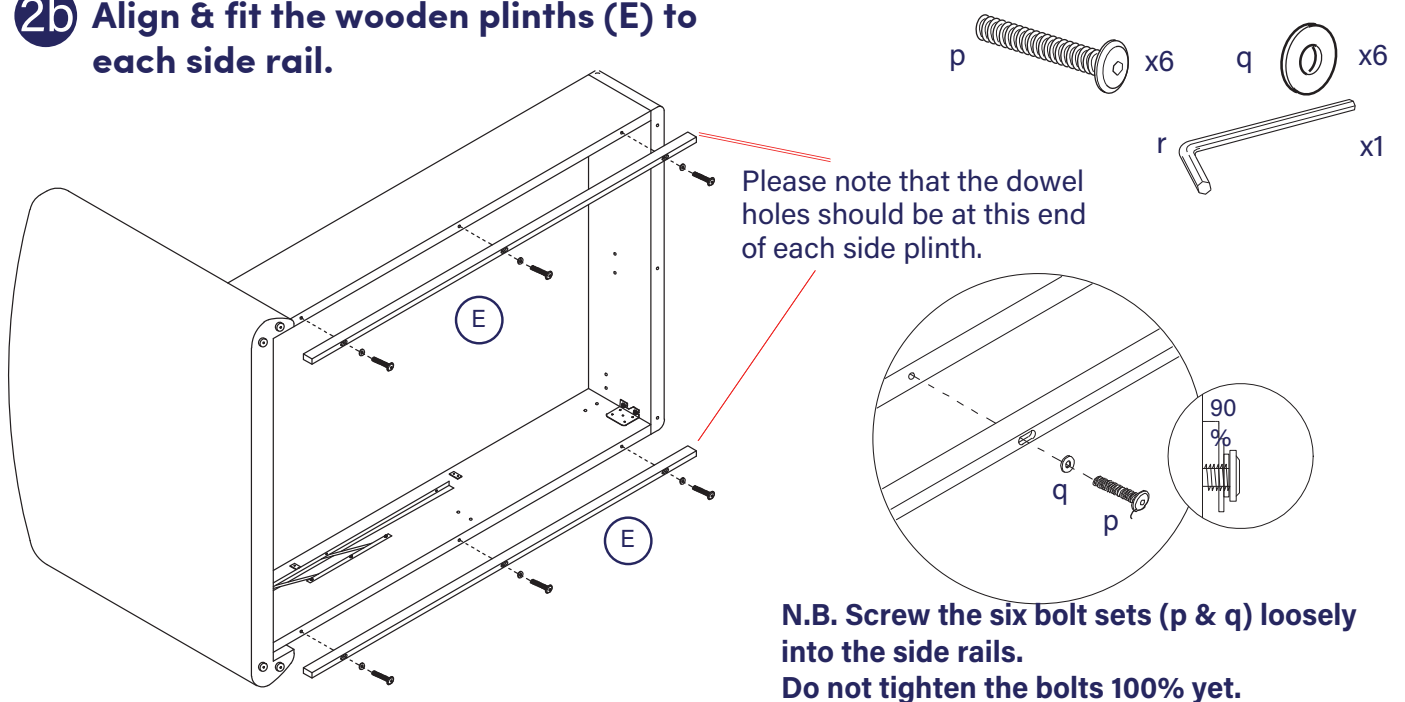
Cross head screwdriver



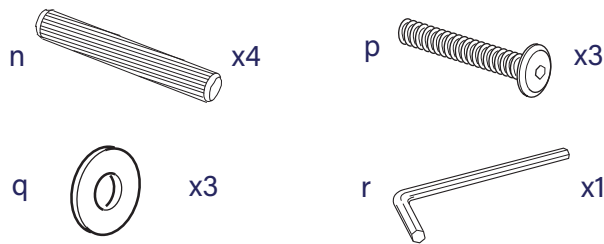
1b Prepare headboard & footboard & fit side rails (C & D).



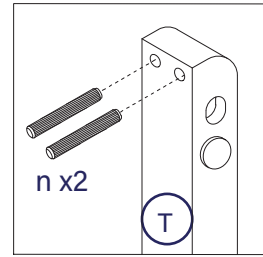
2b Align & fit the wooden plinths (E) to each side rail.



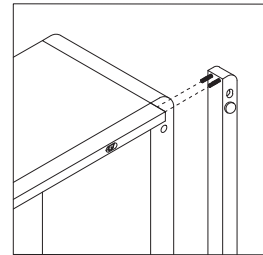
3b Align & fit the wooden plinth (T) to the footboard.



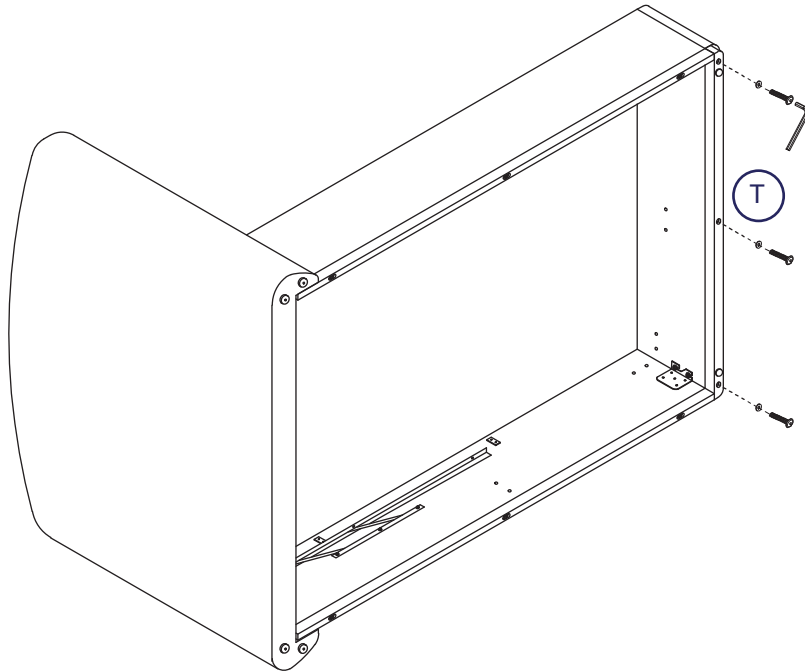
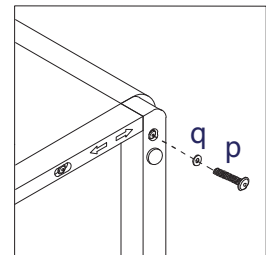
i) Put dowels (n) into the holes on each end of the end plinth.



ii) Slide the dowels into the end holes in each side plinth.

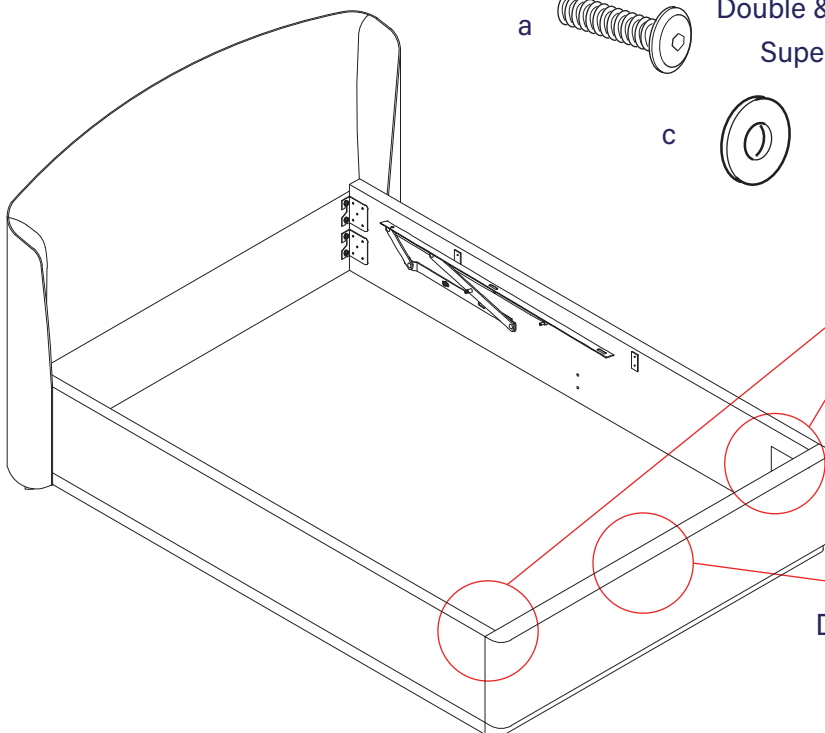
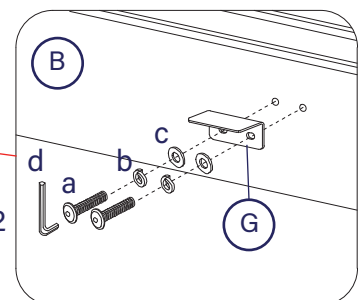
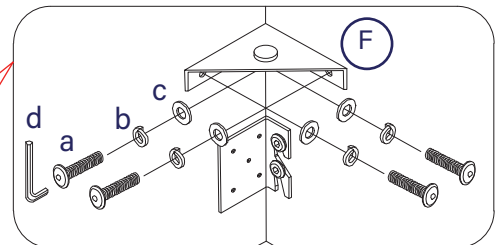
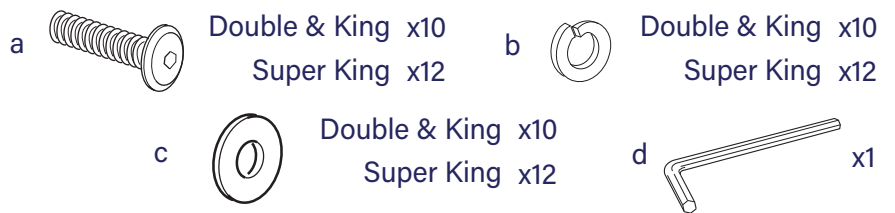


iii) Using bolt sets (p & q) fit footboard plinth (T).
Do not tighten any bolts yet.



Align the edges and corners of the plinths then tighten all bolt sets 100%.

4b Fit the angled corner brackets (F) and frame support (G).

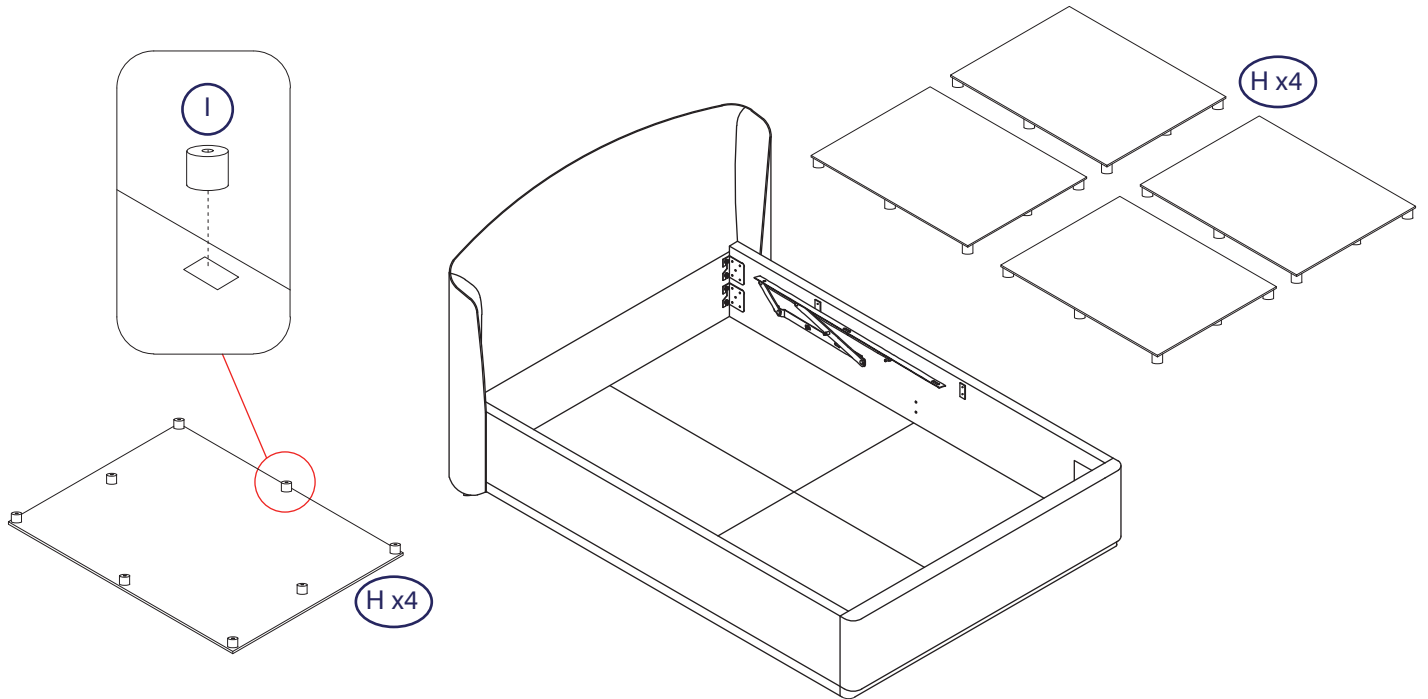


Double & King x1
Super King x2

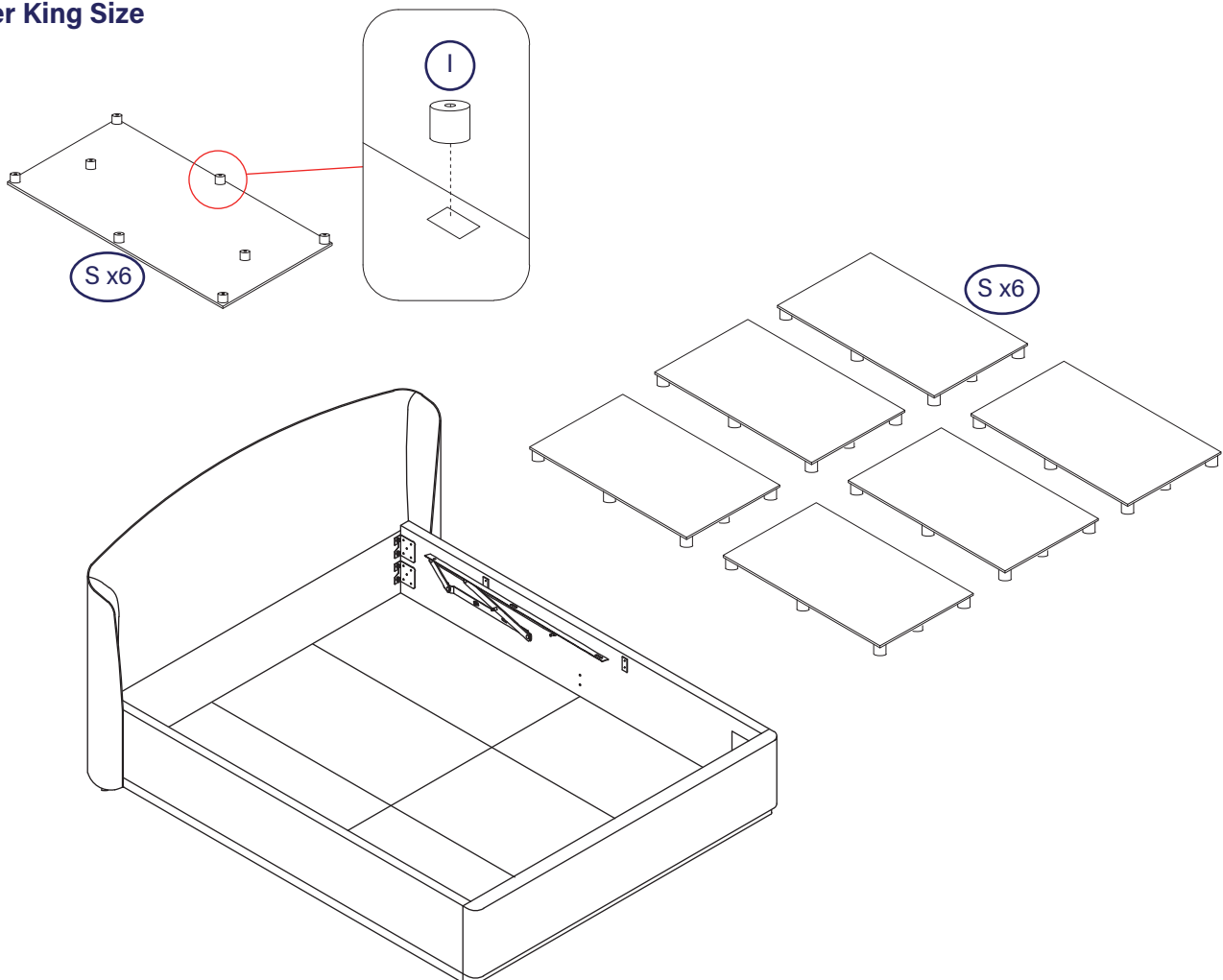
Tighten ALL the bolt sets 90%.

5b Prepare the storage base boards - fit the eight plastic glides (I) to the velcro pads underneath each board.

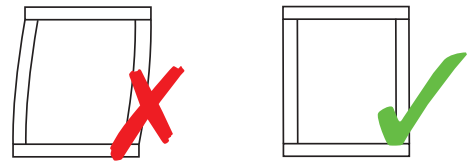
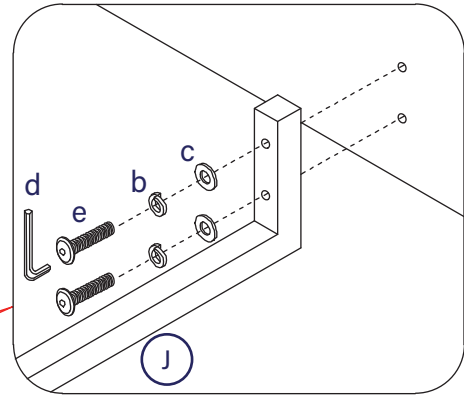
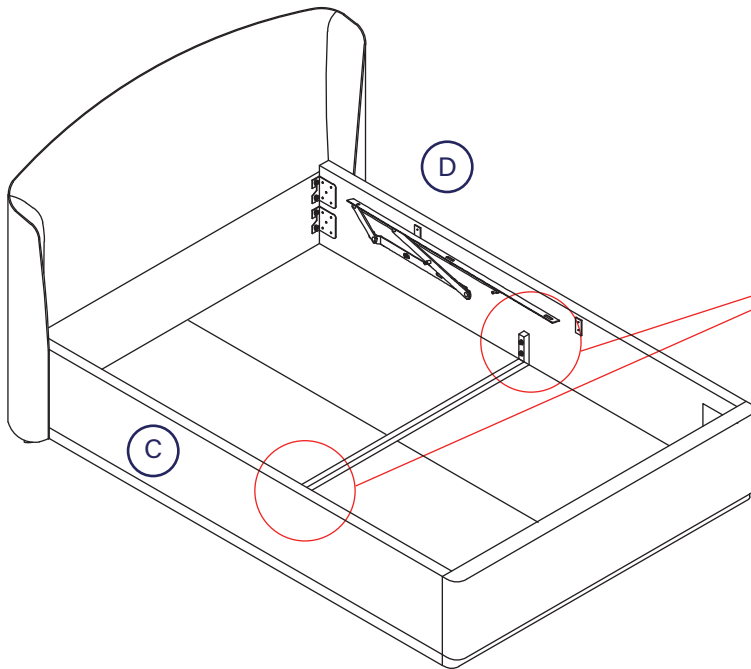
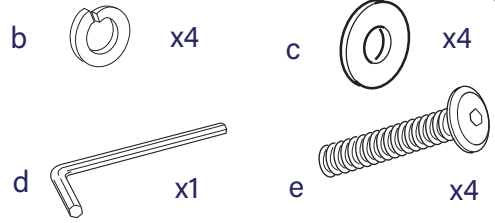
Double & King Size



Super King Size

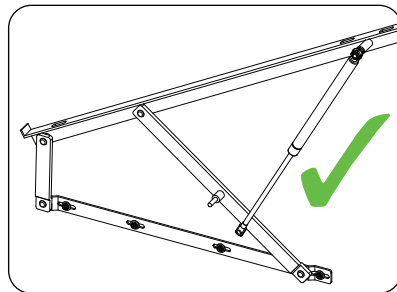
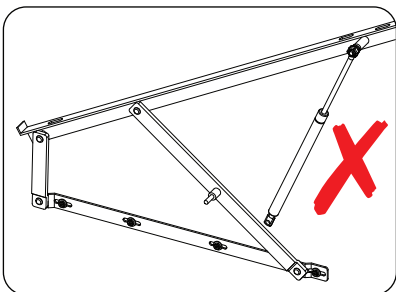


6b Fit the cross bar (J) to side rails (C & D).

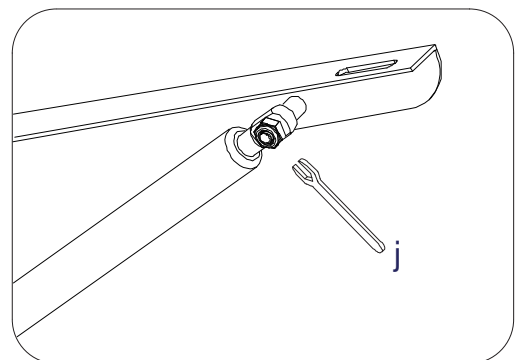
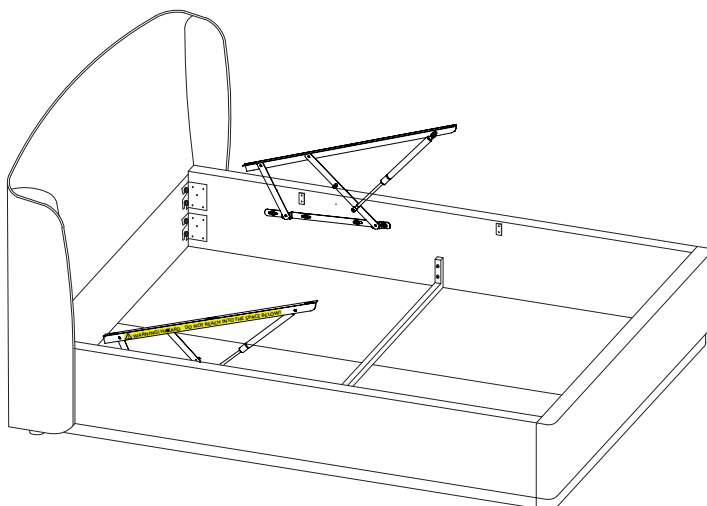
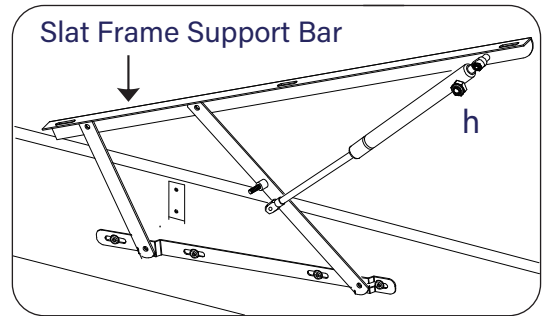


Make certain the bed is squared up as shown in the diagram then tighten ALL bed assembly bolts 100%.

Loosely fit the piston stems to the upper axles.



Please make sure the cylinder (largest diameter) is at the top.

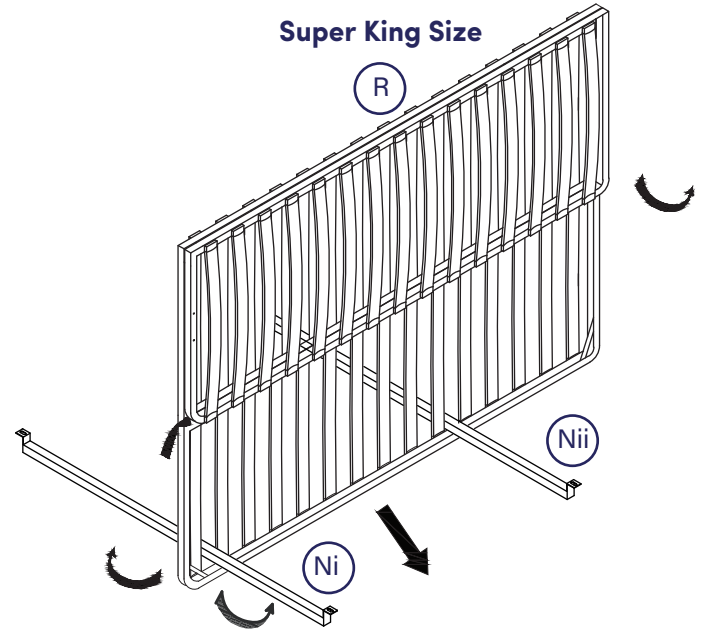
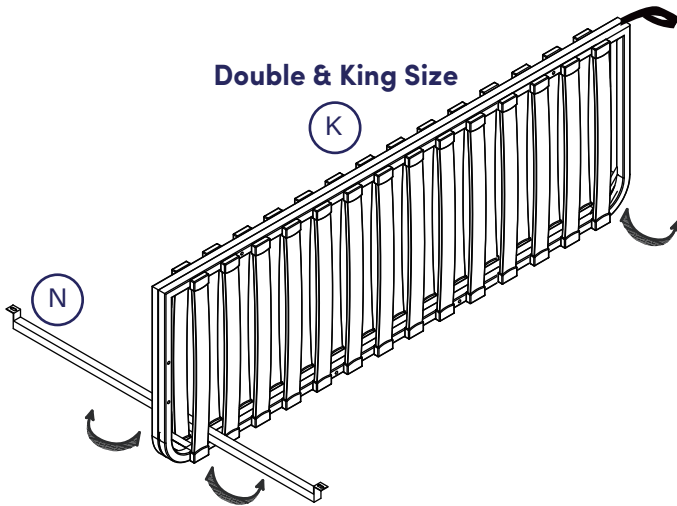
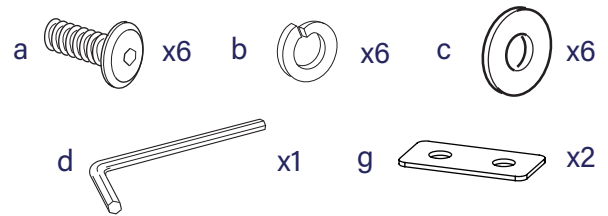


**Fit the piston stems to upper axles using lock nuts (h)
Do not tighten these nuts 100%.**

PLEASE CARRY ON THE ASSEMBLY FOR CHLOE, FROM STEP (7)

Fitting the Metal slat frame to either Bethany or Chloe.

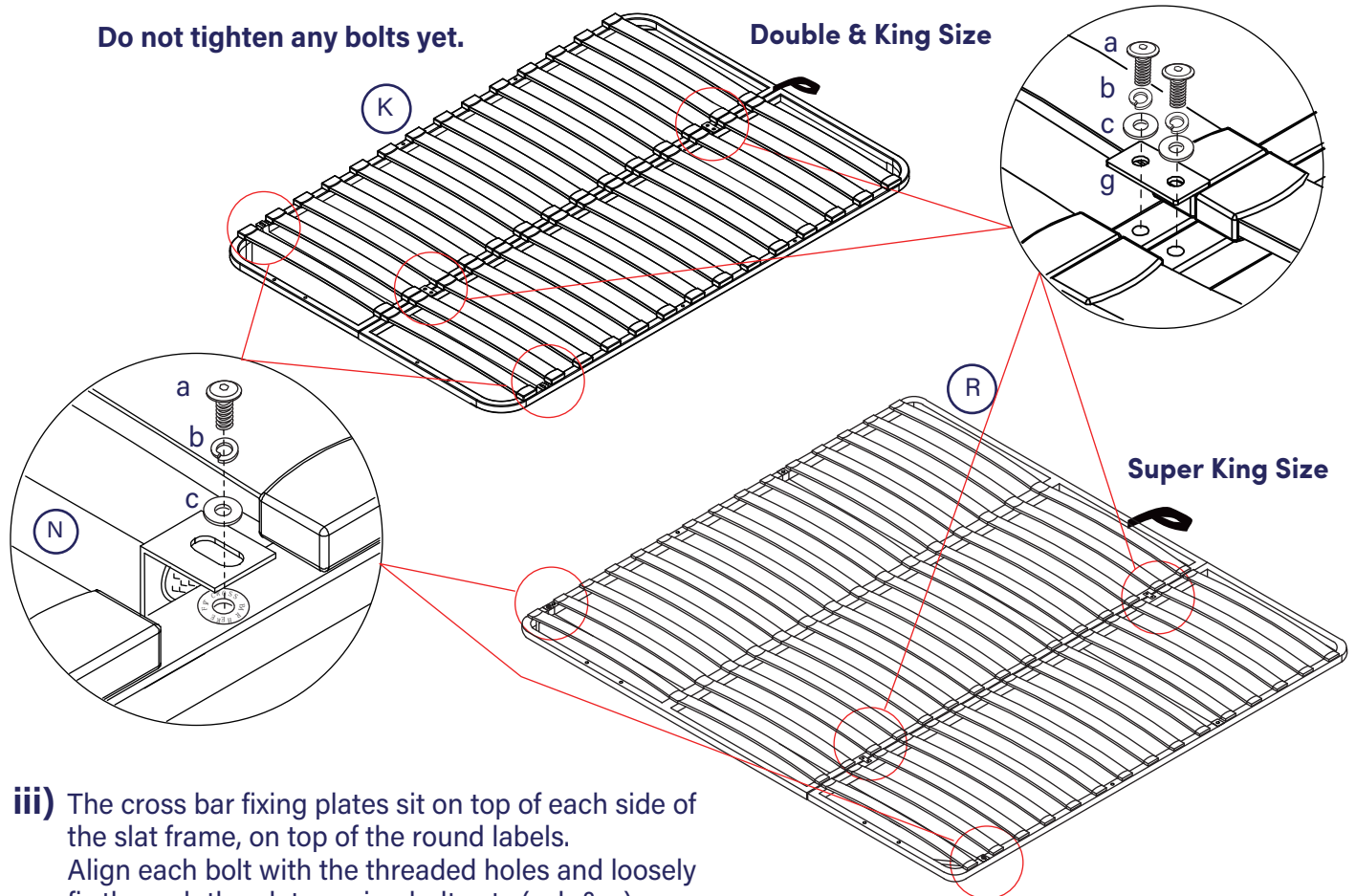
7 Prepare the slat frame.



i) Fitting position for cross bar (N or Ni) is clearly labeled. Pass the bar through the gap between first & second slat. If you purchased super king size, pass the second bar (Nii) through the gap between tenth and eleventh slat. Carefully open the frame.

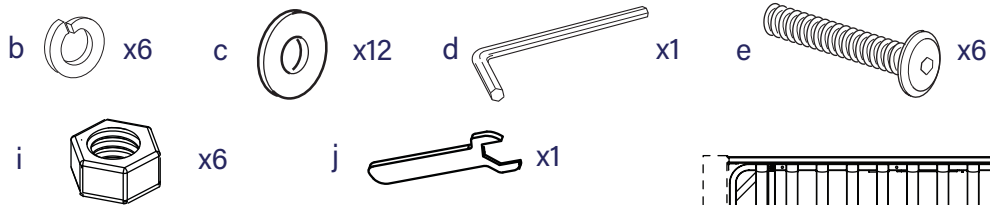
ii) To top of slat frame, fit two connection plates (g) using four bolt sets (a, b, & c), screwing into the threaded inserts on top of the frame.

Do not tighten any bolts yet.

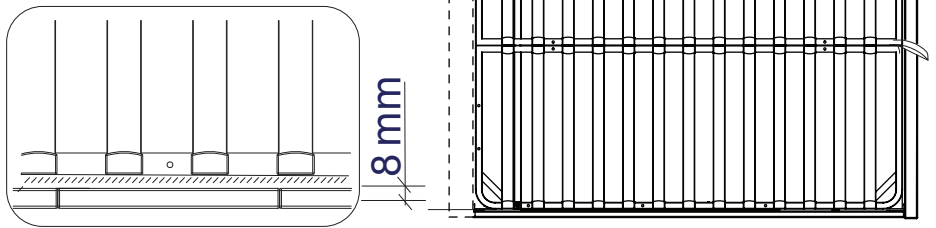


iii) The cross bar fixing plates sit on top of each side of the slat frame, on top of the round labels. Align each bolt with the threaded holes and loosely fix through the plates using bolt sets (a, b & c). **Use allen key (d) to tighten all bolts 100%.**

8

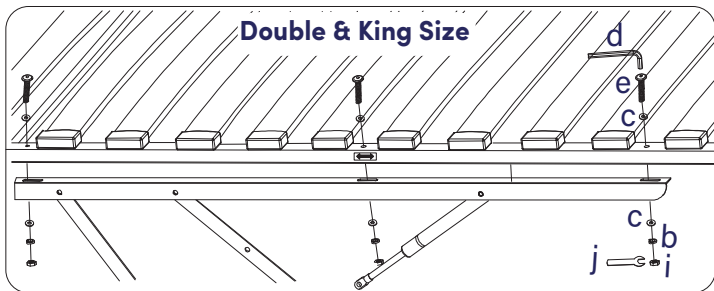


i) Carefully lay the slat frame on to the top of the support bars making sure the bed is still square and there is an even gap all round as in the sketch.

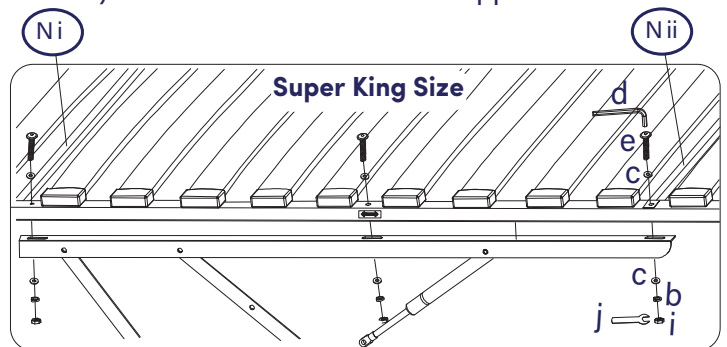


ii) Using three bolt sets on each side (e, c, c, b & i), fix slat frame loosely to the bars.

iii) On the super king size there is a second cross bar (Nii) to fit as shown. This is slid in between the slats with (Ni) and then bolt set (e, c, c, b & i) is used to secure it to the support bar.

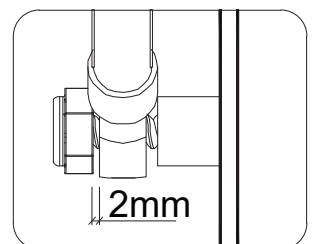
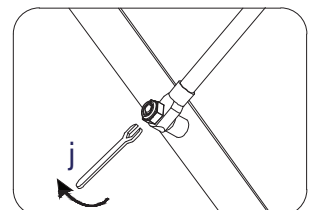
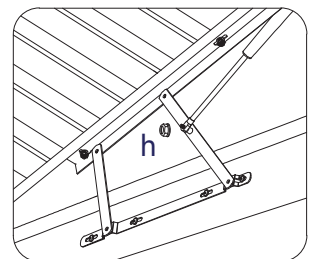
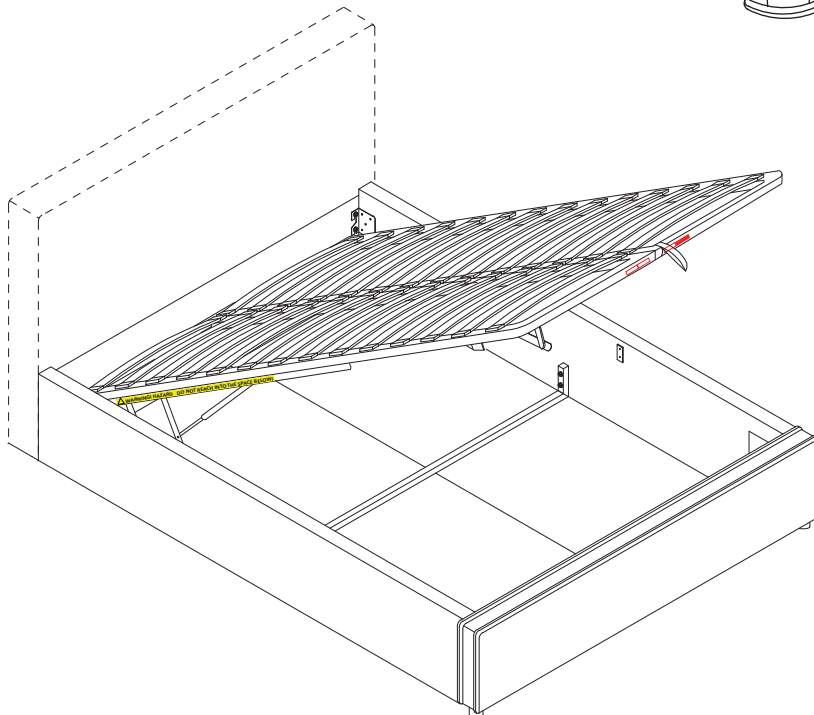


Bolt into centre of long holes



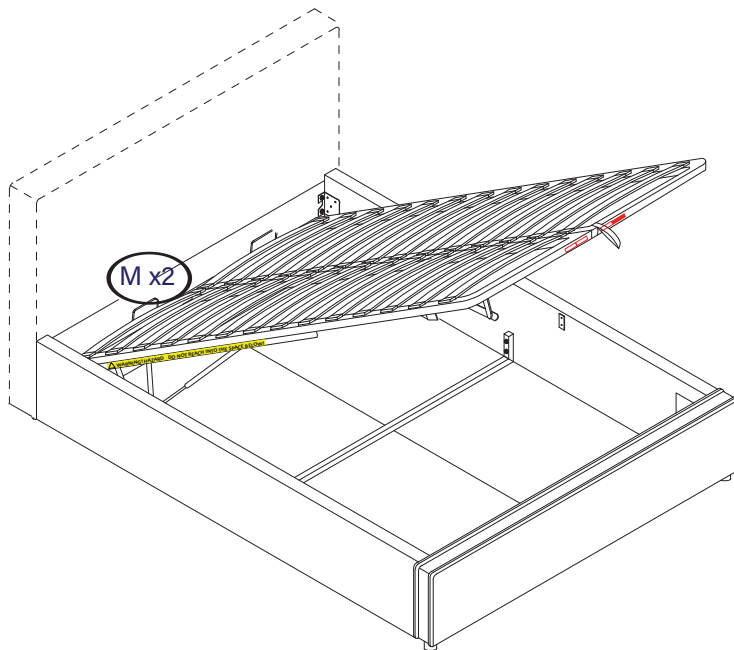
Tighten all six bolt sets 100% using spanner (j) & Allen key (d).

9

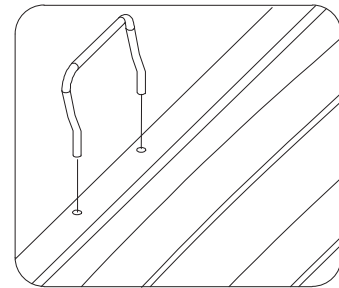


Lift the frame and slide the piston stems onto the lower axles then fit the lock-nuts (h). Tighten them with spanner (j) but note, a small 2mm gap is needed so stems can move freely. This is important so do not over-tighten - please see the sketch -->

10 Fit the accessories.

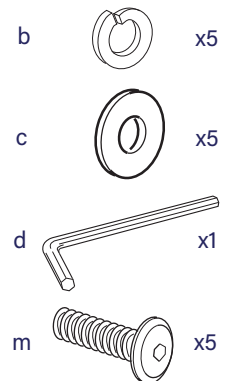
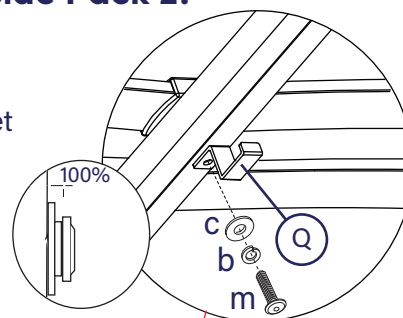


Push x2 mattress stoppers (M) into the slat frame, they should go all the way through the upper & lower metal sections.

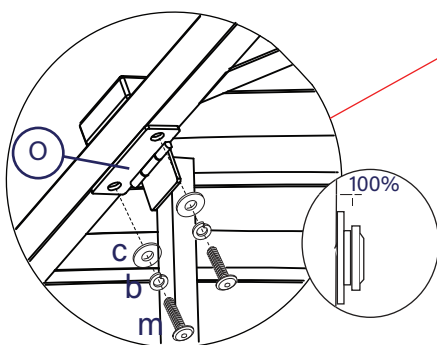


11 Unpack the contents of the Ottoman Support Bar (O.S.B.) from it's carton - this is packed inside Pack 2.

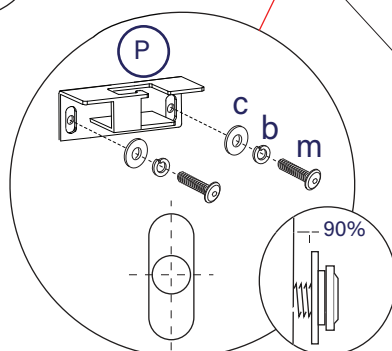
i) To underneath of the slat frame, fit the parking bracket (Q). This is used to safely keep the support bar out of the way when not in use. Use one bolt set (m, b & c) - please make sure the bracket is fitted the correct way round as shown. Screw into the threaded insert on the underside of the frame.



ii) To underneath of slat frame, fit the O.S.B. support bar (O) as shown. Using two bolt sets (m, b & c), screw the bolts into the threaded inserts on the underside of the frame. **Please do tighten 100% yet.**



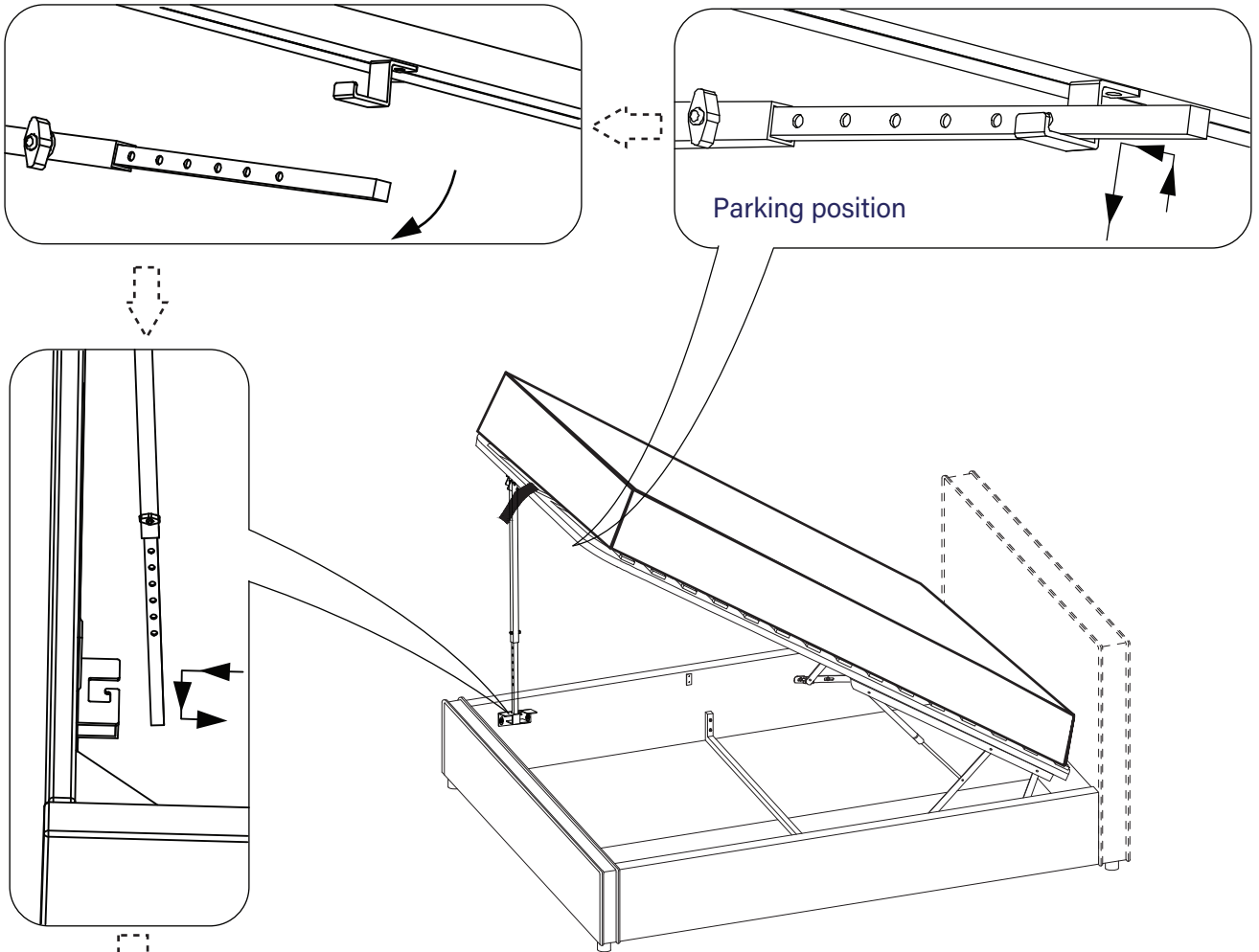
iii) Fit the fixed retaining bracket (P) to the side rail using two bolt sets (m, b, & c). Screw the bolts into the threaded inserts on the side rail. Make certain the bracket is level and at the correct height.



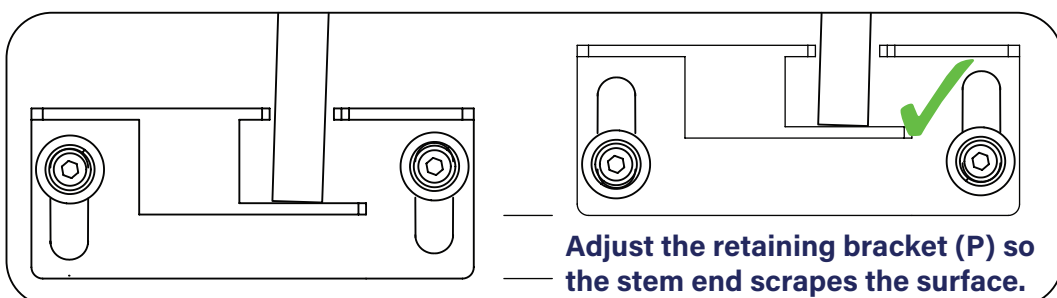
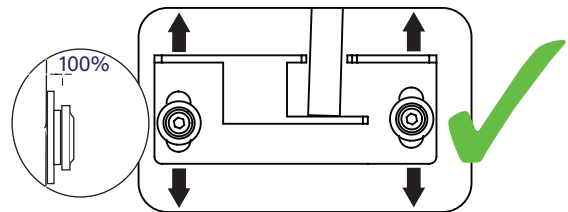
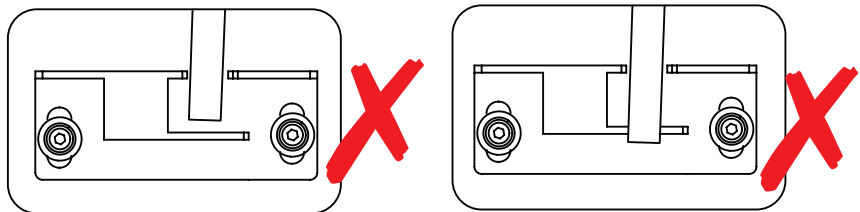
iv) The bolts should be in the centre of the long holes and one may need to slide the inner bar and the bracket, up or down so the bottom of the O.S.B stem just touches the surface - better to do this AFTER the mattress is fitted.

Please do not tighten 100% yet.

12 Setting the inner stem of the support bar (O), adjust the inner stem to the correct length.



Set the inner stem to the correct length so the end just touches the retaining bracket - it needs to touch to hold it in position.



Adjust the retaining bracket (P) so the stem end scrapes the surface.

Bethany Ottoman Bed

Technical Specifications

Overall Dimensions (LWH cm)

Double:	220 x 155.5 x 106.5
King:	230 x 170.5 x 106.5
Super King:	230 x 200.5 x 106.5

Internal Dimensions (LWH cm)

Double:	192 x 137.5 x 23
King:	202 x 152.5 x 23
Super King:	202 x 182.5 x 23

Distance between slats (cm)

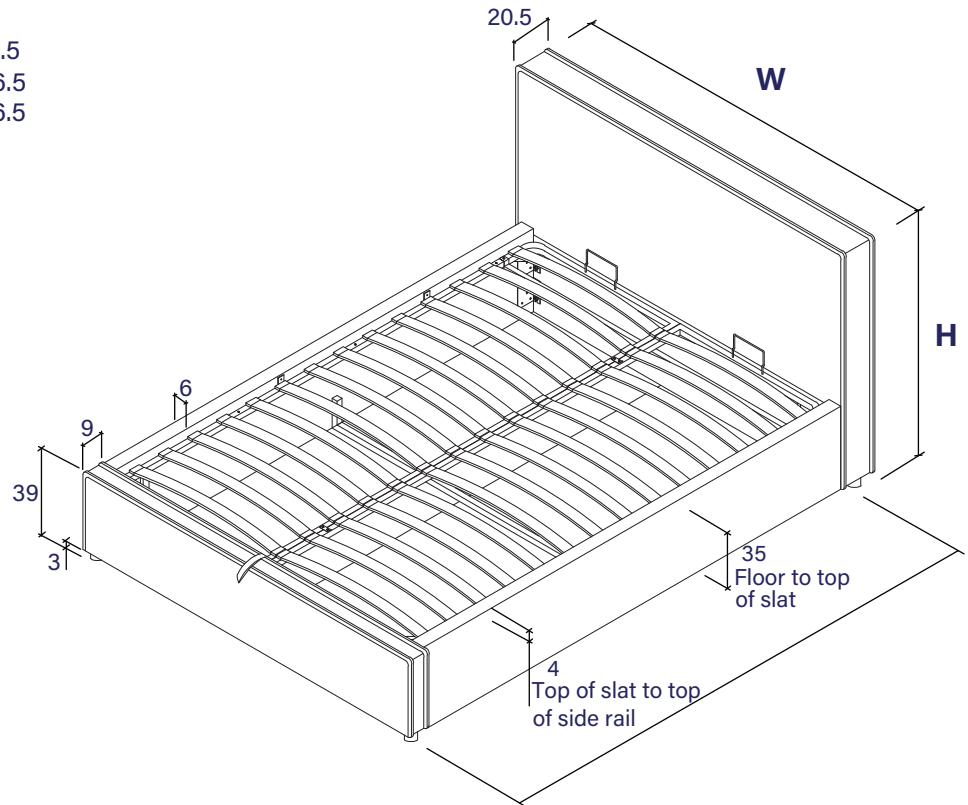
Double:	7
King & Super King:	6.5

Ottoman Piston Rating

Double & King:	900 N
Super King:	1100 N

Slat Dimensions (LWH mm)

Double:	670 x 53 x 9
King:	745 x 53 x 9
Super King:	600 x 53 x 9



Chloe Ottoman Bed

Technical Specifications

Overall Dimensions (LWH cm)

Double:	208 x 162.5 x 105.5
King:	218 x 177.5 x 105.5
Super King:	218 x 207.5 x 105.5

Internal Dimensions (LWH cm)

Double:	192 x 137.5 x 24
King:	202 x 152.5 x 24
Super King:	202 x 182.5 x 24

Distance between slats (cm)

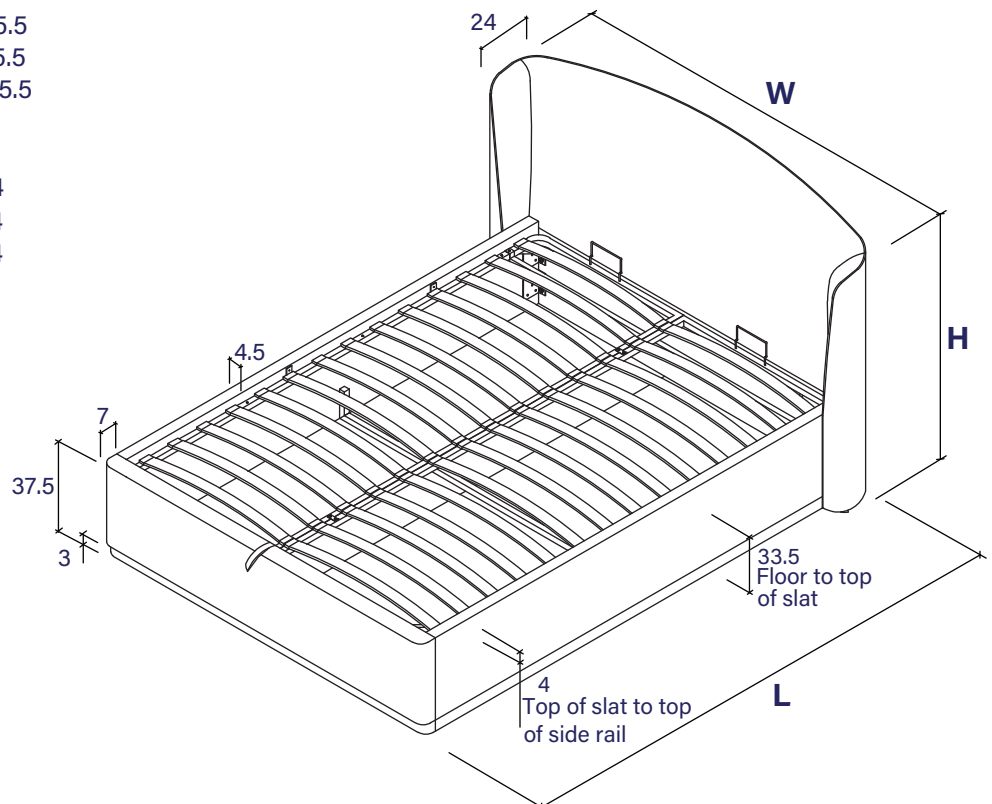
Double:	7
King & Super King:	6.5

Ottoman Piston Rating

Double & King:	900 N
Super King:	1100 N

Slat Dimensions (LWH mm)

Double:	670 x 53 x 9
King:	745 x 53 x 9
Super King:	600 x 53 x 9



Care and maintenance

Here are some tips to keep your new bed in tip-top condition



Cleaning

To clean your new bed, we'd advise using a warm damp cloth or if fabric, remove dust using a low suction vacuum cleaner - please do not use abrasive chemicals or bleach as this may damage the product.



Checking and moving

Periodically we recommend you check that the screws or fixtures haven't become loose, over time. To move your new bed, we recommend lifting it where possible, as dragging or pushing it could cause damage to your flooring.



Wood

Please note each of our wooden pieces are unique, meaning that markings and shade can vary slightly between beds. Over a period of time, the wood might lighten or fade slightly due to light exposure.



Fabric

Please note depending on the lighting, positioning and surroundings of your room, the shade of the colour can sometimes appear slightly different. Over a period of time the colour might lighten or fade slightly due to light exposure.



Metal

Metal tends to be more resilient to everyday wear and tear. We recommend to gently dust your metal furniture and keep it dry to maintain its look.

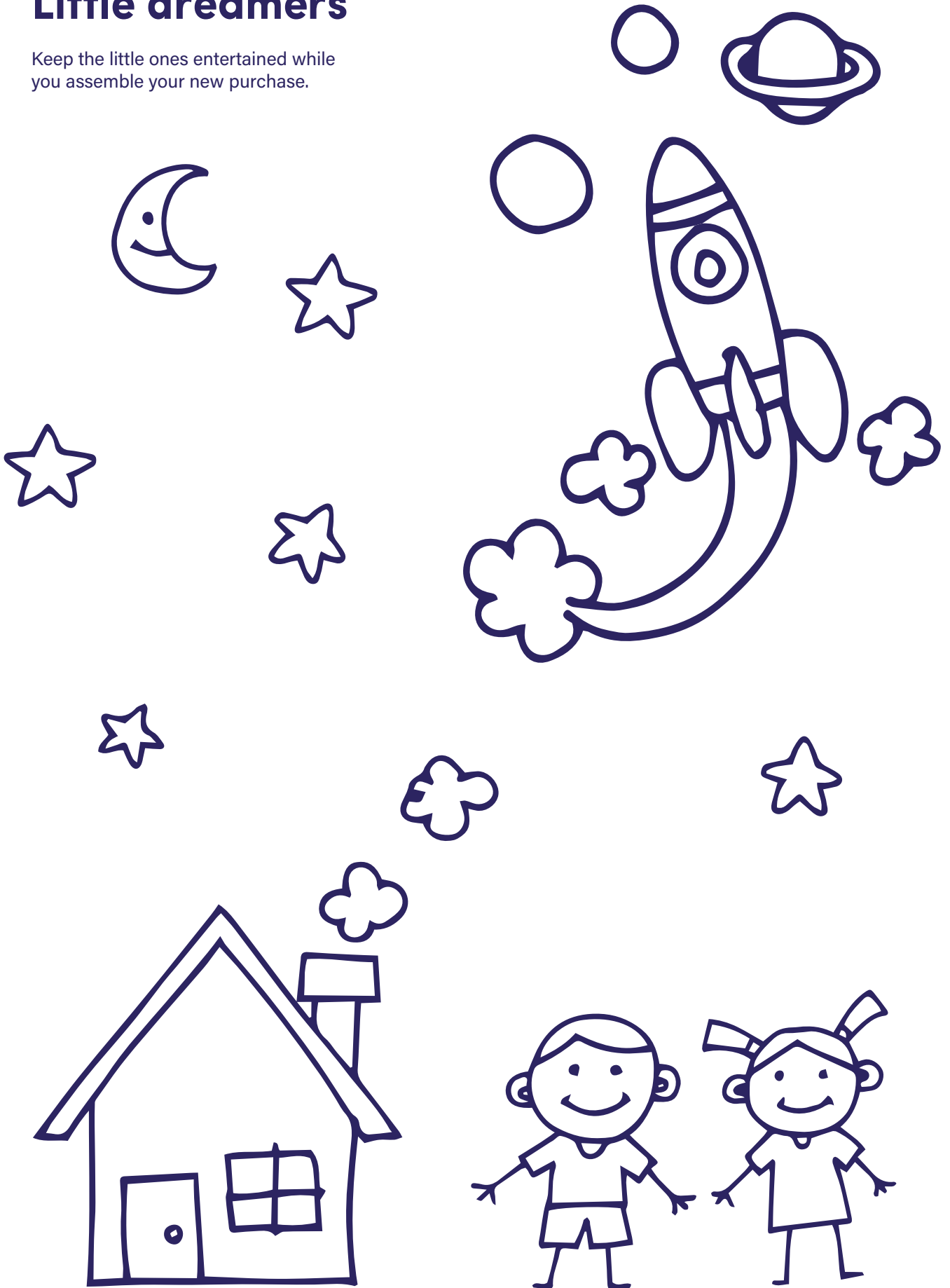
Thank you for shopping with us - we hope you have a great night's sleep

Sleep well



Little dreamers

Keep the little ones entertained while you assemble your new purchase.



Dreams