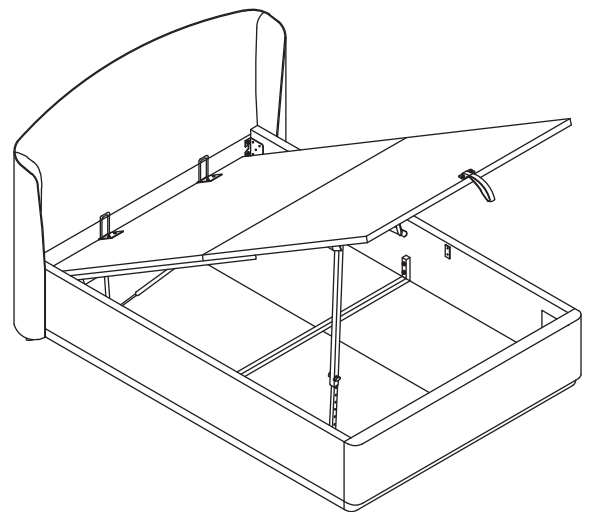
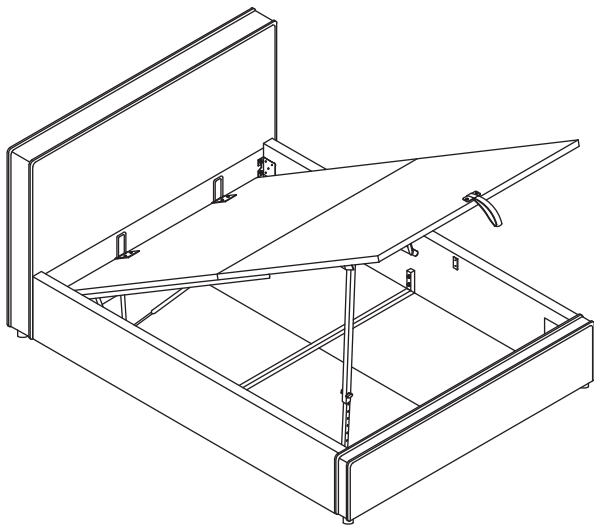


# Ottoman Storage Bed Base Board

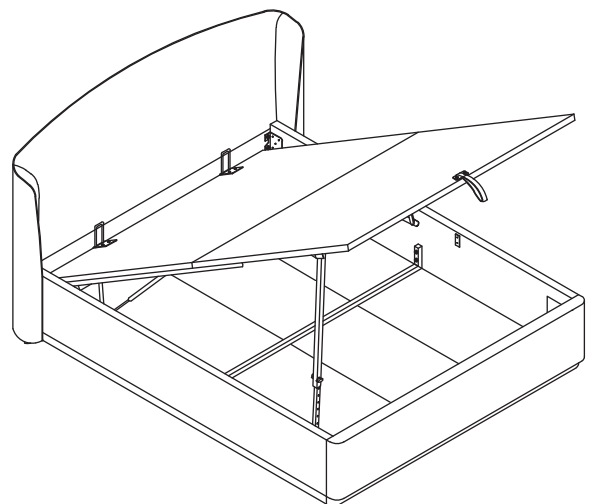
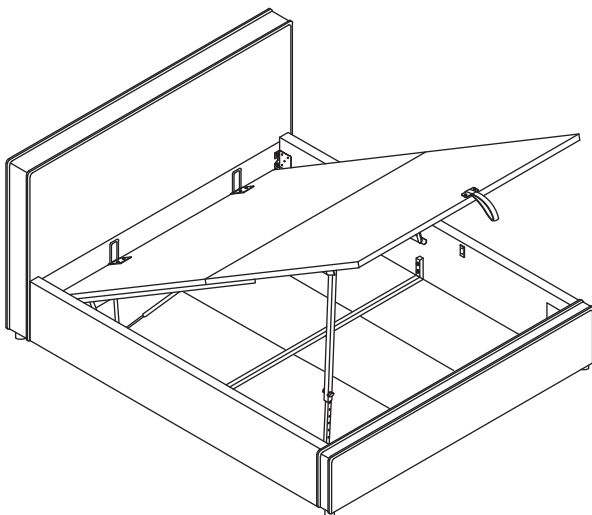
**Bethany**

**Chloe**

**Double & King Size**



**Super King Size**



1.5 hour approx  
assembly time



Two person  
assembly

MK1 230405

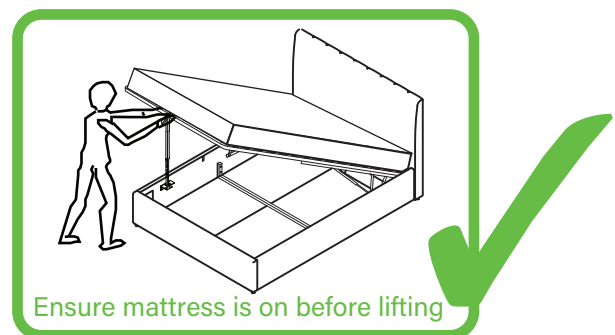
# Dreams

# IMPORTANT OTTOMAN SAFETY WARNINGS

- **IMPORTANT - READ CAREFULLY - RETAIN FOR FUTURE REFERENCE**
- **You must ensure that the mattress is on the bed frame before operating the lift mechanism - Failure to do so could result in injury.**
- **Keep hands clear of the mechanism when opening or closing the ottoman.**
- **Beware of entrapment - Never reach in through the mechanism to access the storage area.**
- **Always ensure that the ottoman is FULLY opened before accessing the storage area.**
- **Do not exceed the maximum weight as specified in the table below:**

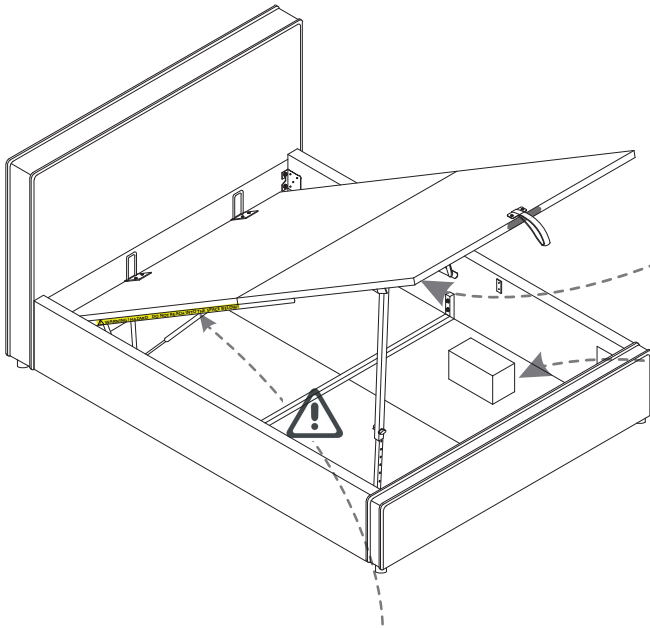
Bed	Bed Size	Min Weight (kg)	Max Weight (kg)
Bethany & Chloe Mattress Base Boards	Double	15	50
	King	15	50
	Super King	20	60

## IMPORTANT OTTOMAN SAFETY WARNINGS Cont.



- **Use caution when operating, always use the handle when lifting.**
- **Note: This bed uses a pressurised mechanism.**
- **To be operated by adults only.**
- **Please ensure that children and pets are kept away from the bed when operating the lift mechanism.**
- **Keep children and pets away from the storage area.**
- **Do not overload the internal storage base.**
- **Do not stand inside the internal storage area of the bed.**
- **Before removing the mattress secure the frame to ensure it does not open unexpectedly.**
- **Do not attempt to lie on the mattress when the ottoman is in the raised position.**
- **When lifting the ottoman, remove all bedding except the fitted sheet.**

## Bethany



### **WARNING**

#### TO AVOID ACCIDENTS

To access the storage area, the ottoman frame **MUST BE FULLY OPENED** and then **FULLY CLOSED** afterwards.

### **CAUTION**

To be operated by **ADULTS ONLY**.

Keep children and pets away from the storage area.

Avoid trapping your fingers by using the handle to lift & lower the base.

Only lift when the mattress is in place.

Ensure the ottoman support bar is secure when the base is open.

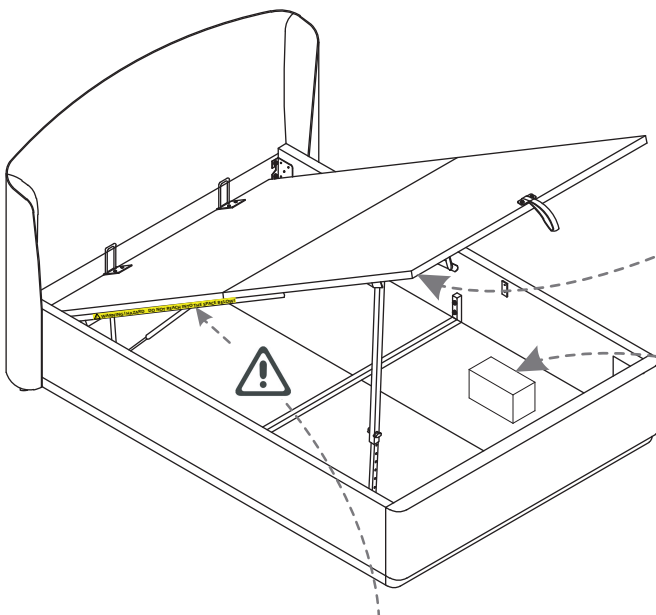
Regularly air internal storage area and contents.



Note: Be very careful what you store under the bed - the top of an item, like a suitcase or a box must not touch the slats or they may be damaged. Maximum storage height is 22 cm.

 **WARNING! HAZARD - DO NOT REACH INTO THE SPACE BELOW!**

## Chloe



### **WARNING**

#### TO AVOID ACCIDENTS

To access the storage area, the ottoman frame **MUST BE FULLY OPENED** and then **FULLY CLOSED** afterwards.

### **CAUTION**

To be operated by **ADULTS ONLY**.

Keep children and pets away from the storage area.

Avoid trapping your fingers by using the handle to lift & lower the base.

Only lift when the mattress is in place.

Ensure the ottoman support bar is secure when the base is open.

Regularly air internal storage area and contents.



Note: Be very careful what you store under the bed - the top of an item, like a suitcase or a box must not touch the slats or they may be damaged. Maximum storage height is 23 cm.

 **WARNING! HAZARD - DO NOT REACH INTO THE SPACE BELOW!**

# Ottoman Beds - Important Safety Features

Our aim is always to give you the best experience and to ensure every effort has been made to guarantee your comfort and safety. Please take time to look at these instructions as they will help remind you how to operate your ottoman bed safely.

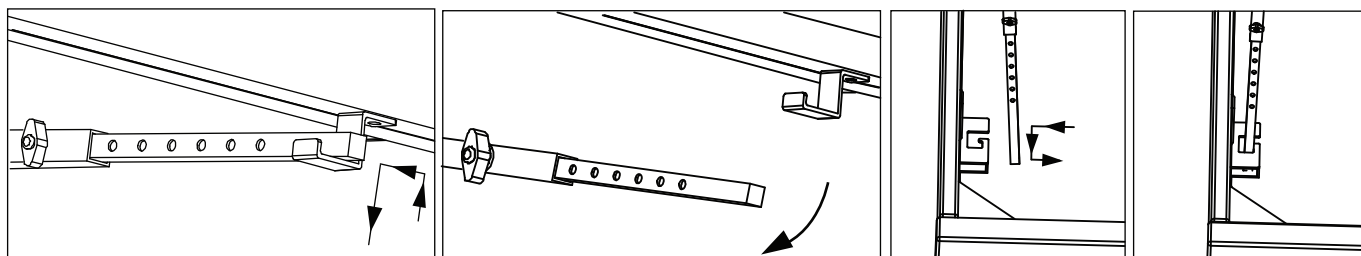
**Here's a few things you need to remember;**

- ✓ **Pistons are already assembled in their correct orientation - this improves piston performance and durability.**
- ✓ **"Break in " the piston seals on first use by raising & lowering the platform at least five times.**
- ✓ **Recommended mattress weights - do not exceed the maximum relevant weight specified on the Assembly Instruction.**
- ✓ **Ottoman support bar - always engage the support bar when accessing the ottoman storage area.**

Read all the instructions before using your Ottoman bed-frame and save the instruction booklet for future reference.

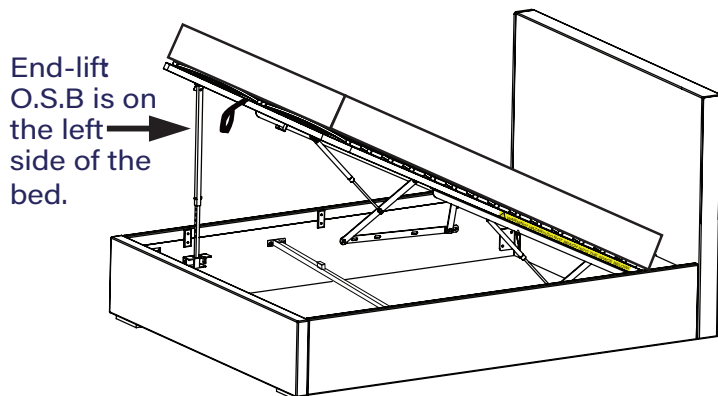
## Ottoman Support Bar (O.S.B.)

**For optimal safety during operation, always ensure the O.S.B. is engaged when accessing the ottoman storage area.**

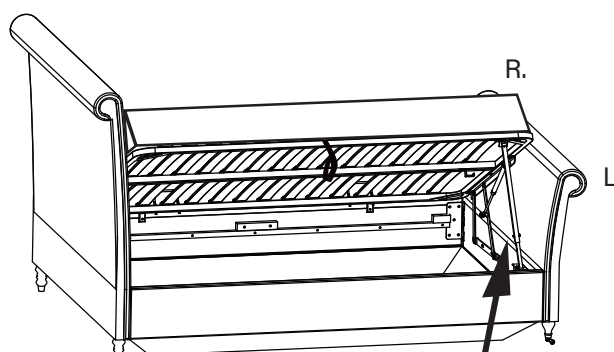


1. Always raise the ottoman slat-frame to it's highest position before using the storage area.  
Locate the end of the O.S.B and insert into the fixed retaining bracket on the bed frame.
2. When you are ready to lower the ottoman platform, return the O.S.B to its original parking position.
3. Always ensure that the O.S.B is in position when the ottoman is open, this prevents injury, or damage to the product.

## Location of the O.S.B



End-lift O.S.B is on the left side of the bed.



Side-lift O.S.B is on either the left side or right side of the footend.

## WARNING! Risk of Entrapment

- The pistons on the ottoman bed frame can support a maximum load (evenly spread) as indicated in the Minimum and Maximum load table, on Page 2 of this Assembly Instruction.
- Overloading the sleeping platform may contribute to damage to the product resulting in potential serious injury.
- Do not sit on the mattress whilst the platform is in motion or is in the raised position.
- Users should only get in and out of bed when platform is in the flat (horizontal) position.

# Thank You

Dear Customer, Thank you for choosing to purchase your bed from Dreams - we hope it brings you your best ever night's sleep. Before you begin building your bed, please take a moment to read through the instructions and make sure that you've got all the relevant parts listed on the following pages.



## Assembly tips

Before you begin, it's best to identify all parts and fittings to build your bed. We advise laying these out on the floor to check you have everything, and familiarising yourself before building.



## Top tip

We recommend that you build your new bed in the room you'd like it to be located - this will help prevent any risk of damage to your newly built bed whilst moving it.



## Safety and care

It's really important to ensure children and animals are kept away from the assembly area, as there are small components used in this bed which could present a choking hazard. All plastic and wrapping materials should also be kept away from children and animals to prevent any risk of suffocation. To keep your little ones busy, there is a colouring page inside the back cover.



## Help and support

At Dreams, it's our mission to give the whole nation a great night's sleep - this means that the quality of our products is of utmost importance to us. If there are any issues with your product or any missing parts, please contact our Help Centre on 0800 652 6750, where a member of our team will be happy to help. (For customers based in Northern Ireland, please call 028 9050 8300)



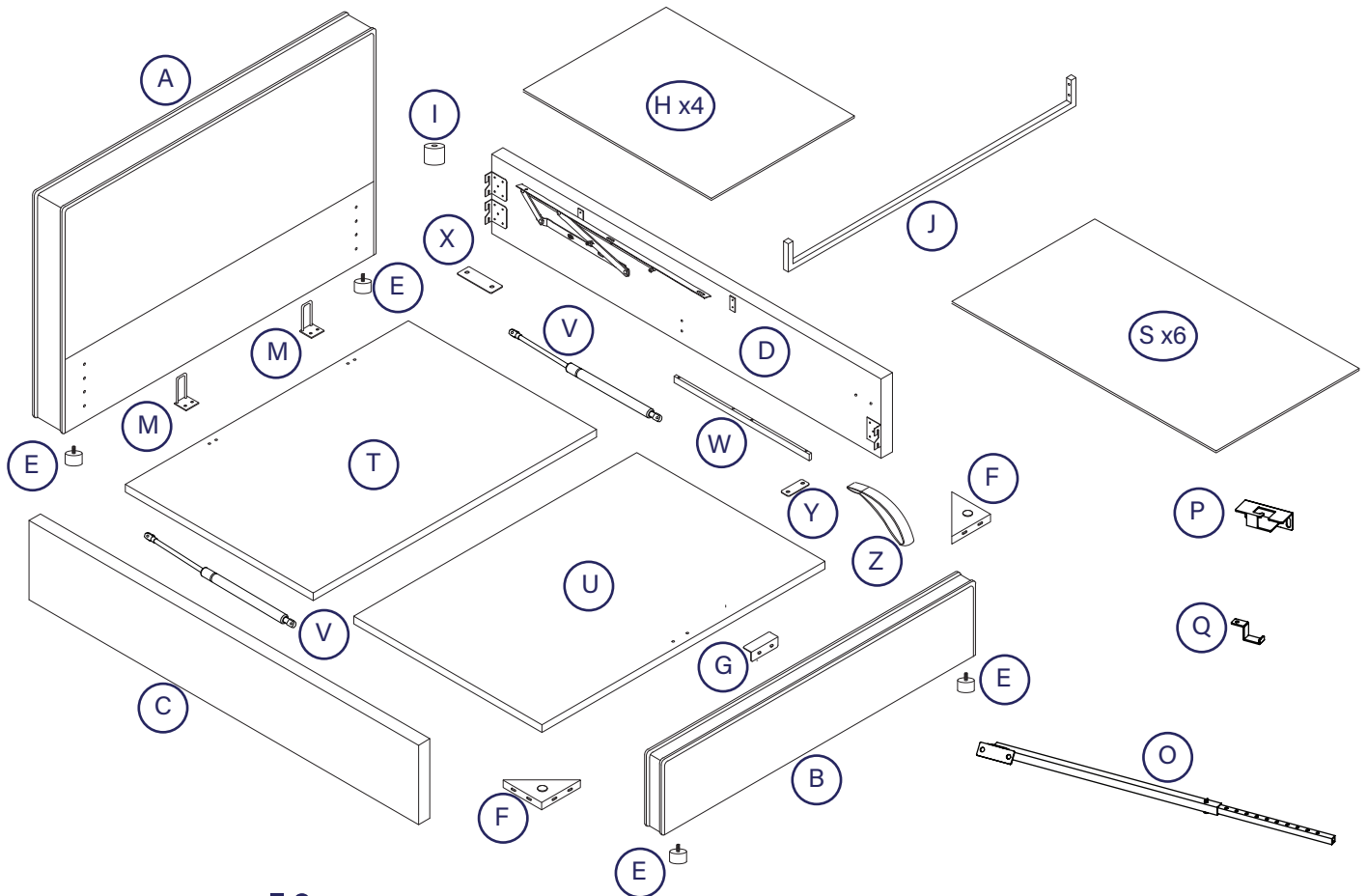
## Recycling

Please ensure that packaging is disposed of in a safe and environmentally friendly way, and recycle where possible. Our assembly instructions are printed on recycled paper. Please keep your assembly instructions safe to refer back to in the future.

# Parts for Bethany Storage Bed

## Important information

The bed you have purchased comes complete with its own solid mattress base board set, please follow the instructions below in the current order. Before you begin building your bed, please take a moment to read through the instructions and make sure that you've got all the relevant parts listed on the following pages.



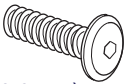


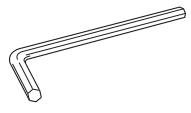
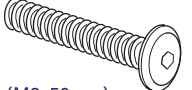
## Parts list

Code	Description	Qty	Box	Code	Description	Qty	Box
A.	Headboard	1	1	S.	Storage Base Boards only for Super King	6	3B
B.	Footboard	1	4	T.	Mattress Base Board - headend	1	3B
C.	Side Rail - Left	1	2	U.	Mattress Base Board - footend	1	3B
D.	Side Rail - Right	1	2	V.	Piston for Mattress Base Board Set	2	3B
E.	Feet	4	4	W.	Connection Bar Double & King/Super King	2/4	3B
F.	Angled Corner Brackets	2	3B	X.	Metal Connection Plates	2	3B
G.	Support Brackets Double & King/Super King	1/2	3B	Y.	Metal Plate for Fabric Handle Strap	1	3B
H.	Storage Base Boards	4	3B	Z.	Fabric Handle Strap	1	3B
I.	Feet for Storage Base Boards Double & King/Super King	32/48	3B	Ottoman support bar PACK (O.S.B.)			
J.	Side Rail Cross Bar	1	3B	O.	Ottoman support bar	1	2
M.	Mattress Stoppers	2	3B	P.	Fixed retaining bracket - side rail	1	2
				Q.	Parking bracket - slat-frame	1	2

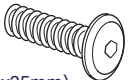


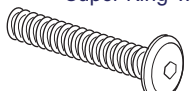
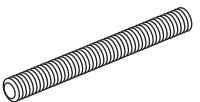
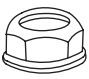
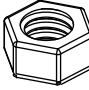

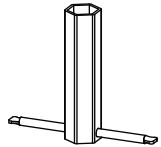
# Fittings for Bethany

Please check you have all the parts listed below with your product:



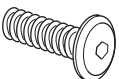
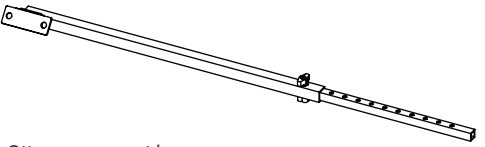
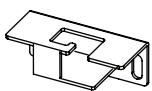
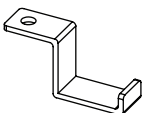
## Hardware needed for fixing side rails to headboard & footboard Packed in side rail carton, inside Pack 2 - hardware pack (A)

<p><b>a</b> Double &amp; King x22 Super King x24</p>  <p>Bolts (M8x25mm) Fitting side rails (C&amp;D) to headboard &amp; footboard (A&amp;B)</p>	<p><b>b</b> Double &amp; King x26 Super King x28</p>  <p>Spring Washer for M8 bolt</p>	<p><b>c</b> Double &amp; King x26 Super King x28</p>  <p>Flat Washer for M8 bolt</p>	<p><b>d</b> x1</p>  <p>Allen Key for M8 bolt</p>	<p><b>e</b> x4</p>  <p>Bolts (M8x50mm) Fitting 'U' Shaped Bar (J) to side rails (C&amp;D)</p>
-------------------------------------------------------------------------------------------------------------------------------------------------------------------------------------------------------------------------------------------	-----------------------------------------------------------------------------------------------------------------------------------------------------------------------------	---------------------------------------------------------------------------------------------------------------------------------------------------------------------------	-------------------------------------------------------------------------------------------------------------------------------------	--------------------------------------------------------------------------------------------------------------------------------------------------------------------------------------

## Hardware needed for fixing solid mattress base board Packed in ottoman carton, inside Pack 3B - hardware pack (B)

<p><b>a</b> Double &amp; King x10 Super King x6</p>  <p>Bolts (M8x25mm) Fitting mattress stoppers (M) and metal connection plate (X) to mattress base boards (T&amp;U)</p>	<p><b>b</b> Double &amp; King x18 Super King x22</p>  <p>Spring Washer for M8 bolt</p>	<p><b>c</b> Double &amp; King x24 Super King x28</p>  <p>Flat Washer for M8 bolt</p>	<p><b>e</b> Double &amp; King x8 Super King x16</p>  <p>Bolts (M8x50mm) Fitting connection bar (W) to mattress base board (T&amp;U)</p>	<p><b>f</b> x6</p>  <p>Threaded stud (M8x50mm)</p>
<p><b>h</b> x4</p>  <p>Flanged lock-nuts M8 for gas-lift pistons</p>	<p><b>i</b> x6</p>  <p>Nuts for M8 bolts</p>	<p><b>j</b> x1</p>  <p>Spanner for M8 nut</p>	<p><b>k</b> x1</p>  <p>Tube Spanner for M8 nut</p>	

## Hardware needed for fixing ottoman support bar (O.S.B) to the solid mattress base boards Packed in the side rail carton, inside Pack 2 - hardware pack (C)

<p><b>b</b> x5</p>  <p>Spring washers for M8 bolts</p>	<p><b>c</b> x5</p>  <p>Flat washers for M8 bolts</p>	<p><b>m</b> x5</p>  <p>Bolts (M8x25mm) for fitting ottoman stay system</p>	<p><b>O</b> x1</p>  <p>Ottoman support bar</p>
<p><b>P</b> x1</p>  <p>Fixed retaining bracket - side rail</p>	<p><b>Q</b> x1</p>  <p>Parking bracket - slat frame</p>		

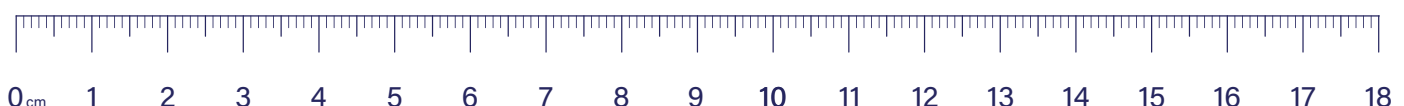
## Tools required



Tape measure

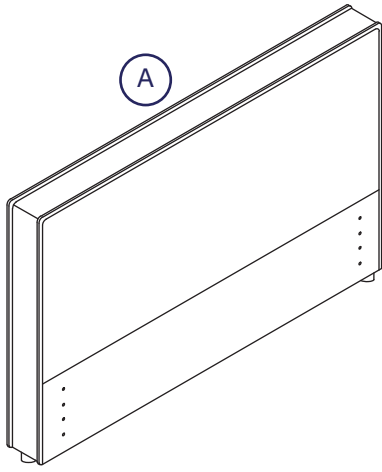


Cross head screwdriver

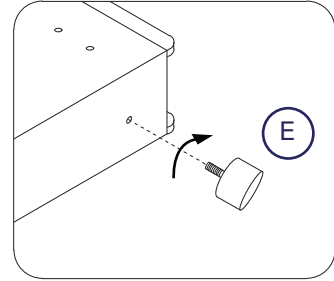


# BETHANY

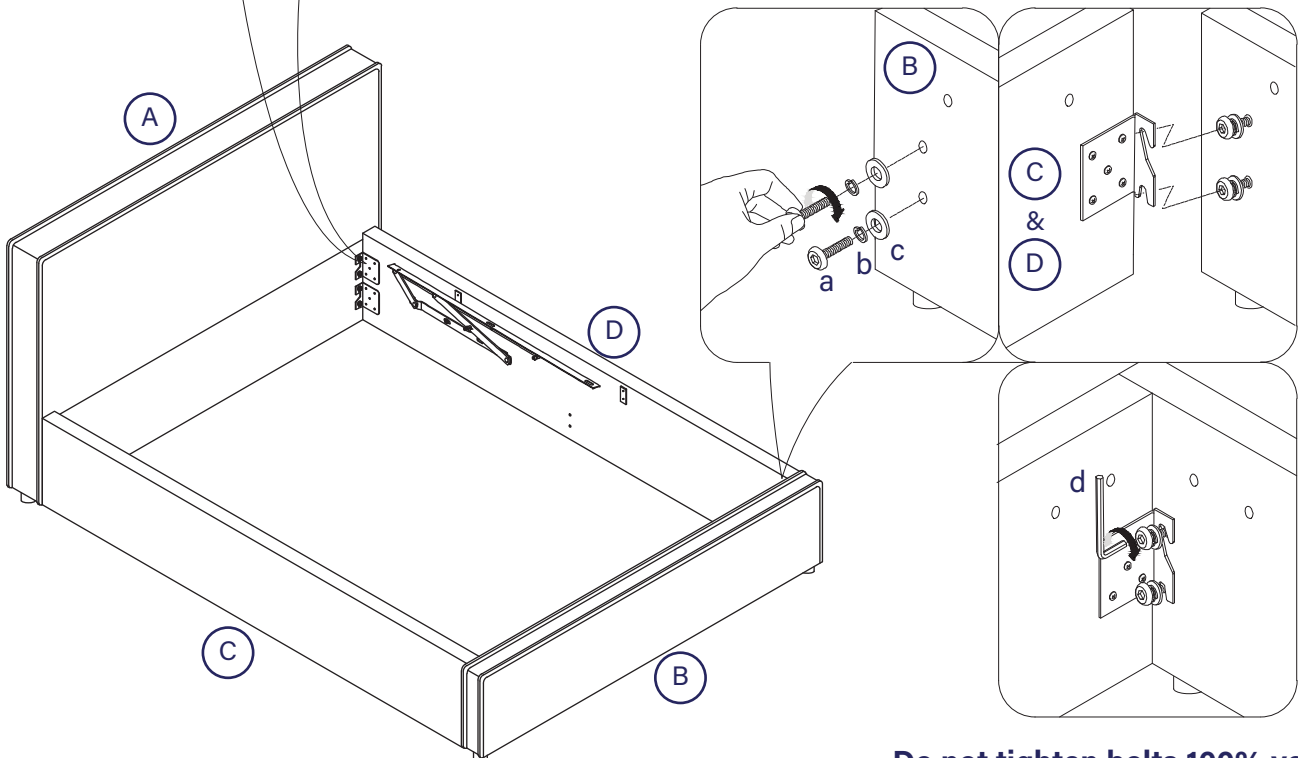
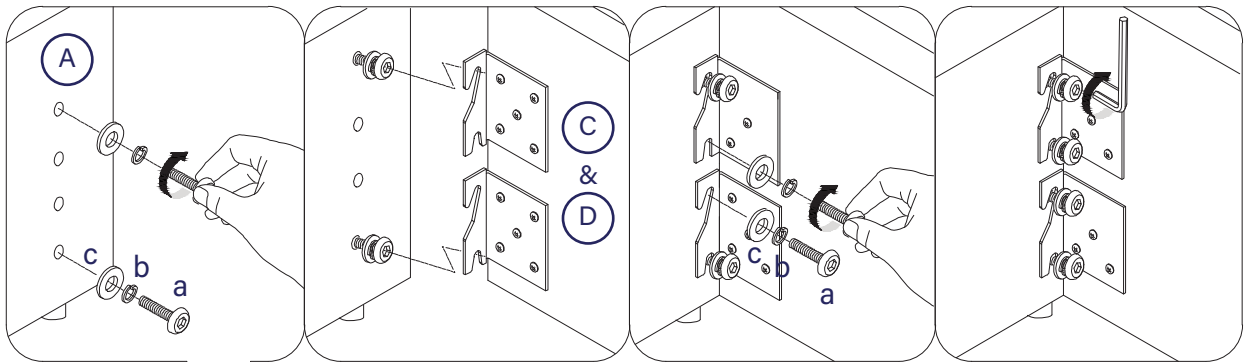
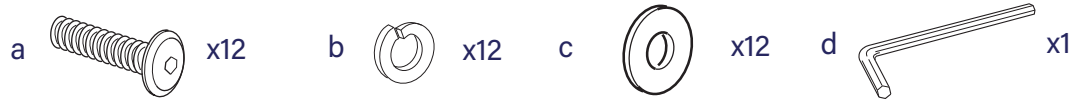
## 1a Prepare headboard & footboard.



Fit the four feet (E) to headboard & footboard.



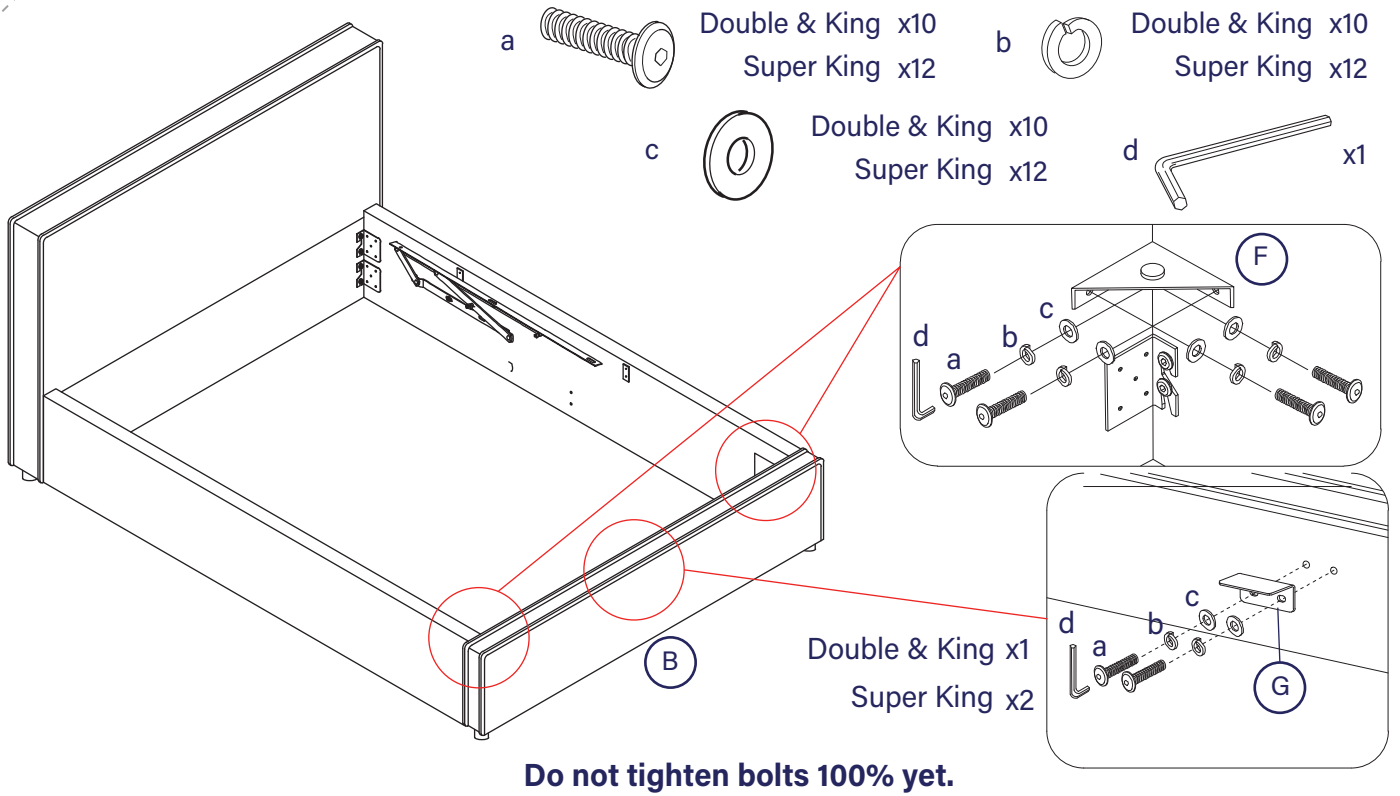
## 2a Fit both side rails (C&D).



**Do not tighten bolts 100% yet.**

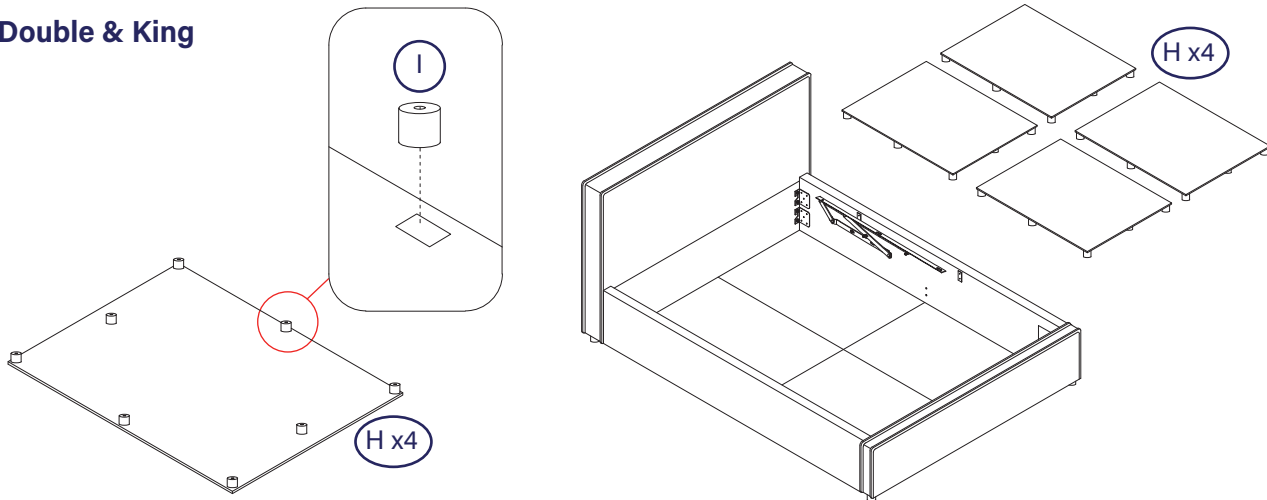


### 3a Fit the angled corner brackets (F) and frame support (G).

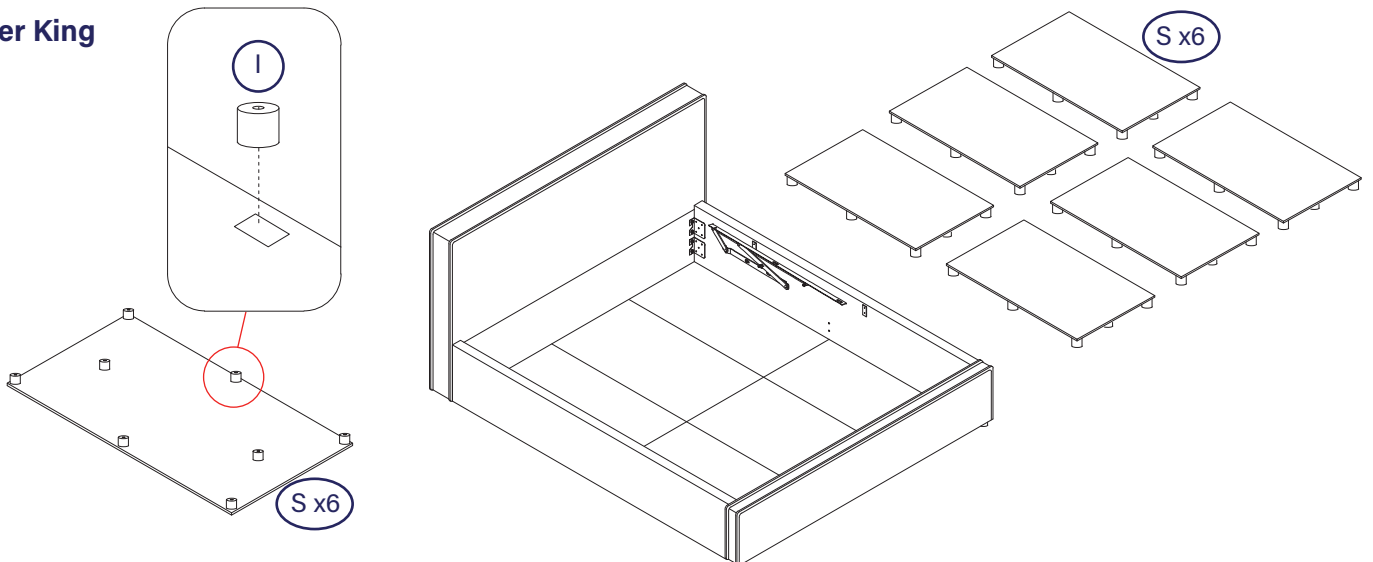


### 4a Prepare the storage base boards - fit the eight plastic glides (I) to the velcro pads underneath each board.

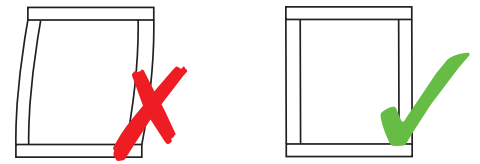
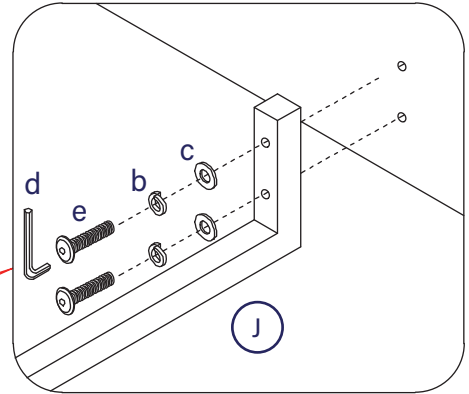
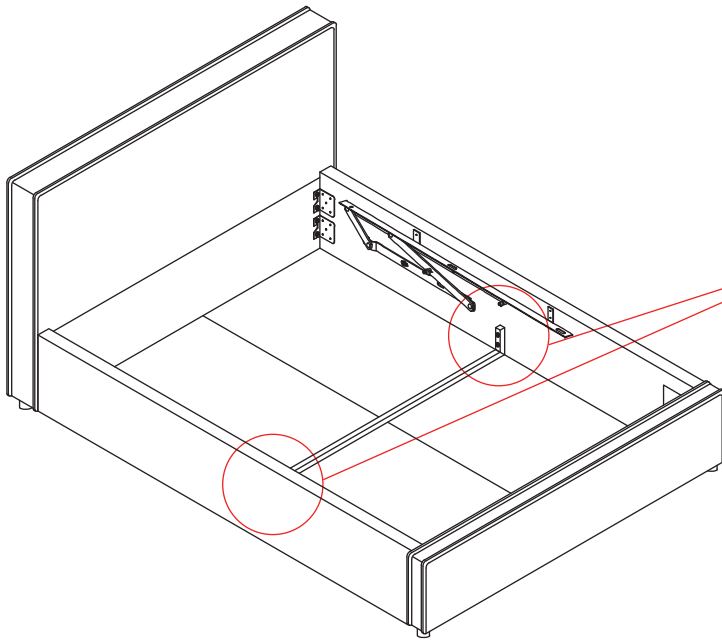
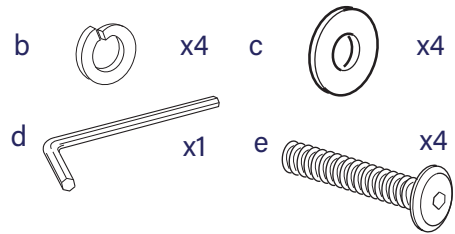
Double & King



Super King

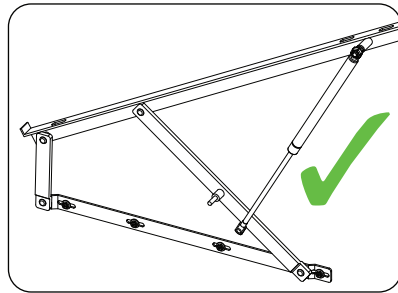
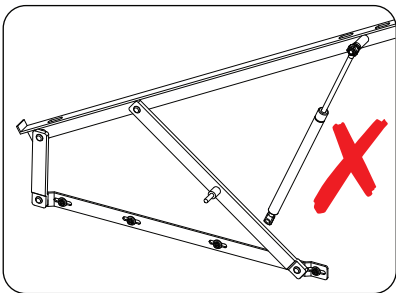


**5a** Fit the side rail cross bar (J).

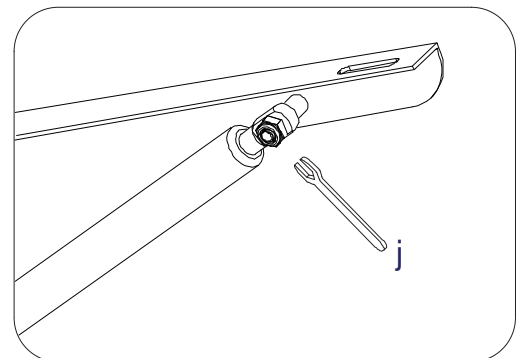
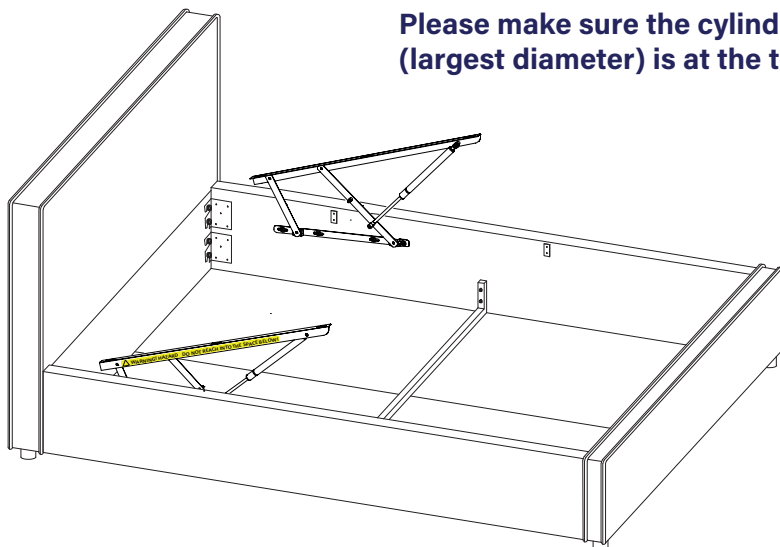
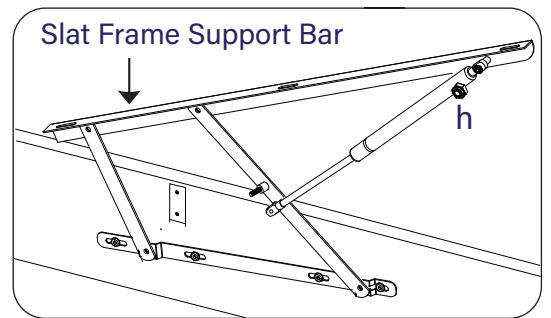


Make certain the bed is squared up as shown in the diagram then tighten ALL the bed assembly bolts 100%.

**6a** Loosely fit the piston stems to the upper axles.



Please make sure the cylinder (largest diameter) is at the top.



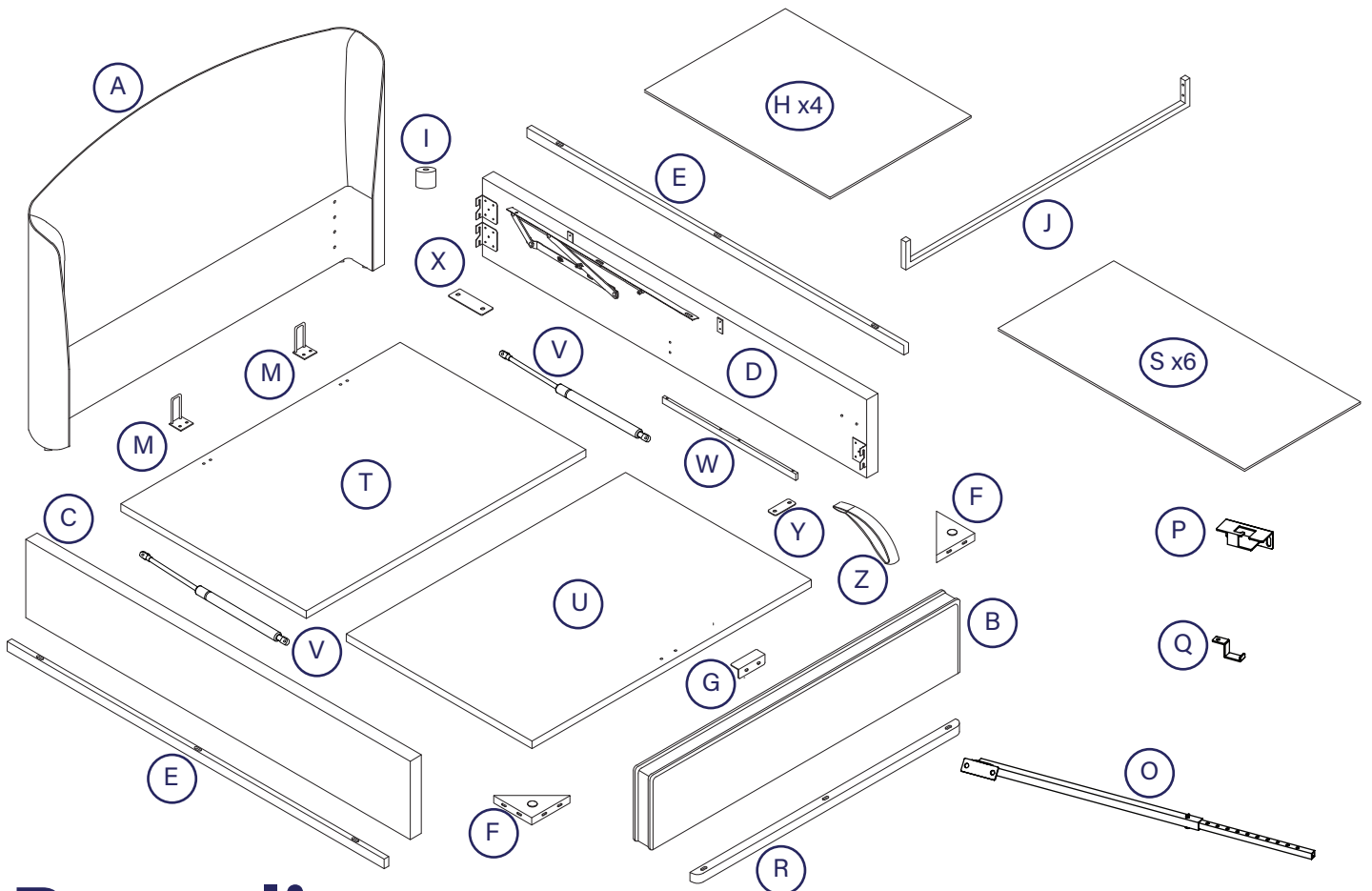
Fit the piston stems to upper axles using lock nuts (h)  
Do not tighten these nuts 100%. yet

**PLEASE CARRY ON THE ASSEMBLY FOR BETHANY, FROM STEP (7)**

# Parts for Chloe Storage Bed

## Important information

The bed you have purchased comes complete with it's own solid mattress base board set, please follow the instructions below in the current order. Before you begin building your bed, please take a moment to read through the instructions and make sure that you've got all the relevant parts listed on the following pages.



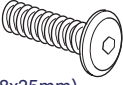


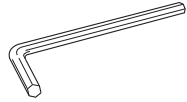
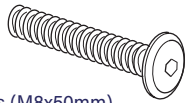
## Parts list

Code	Description	Qty	Box	Code	Description	Qty	Box
A.	Headboard	1	1	R.	Plinth for Footboard	1	2
B.	Footboard	1	4	S.	Storage Base Boards only for Super King	6	3B
C.	Side Rail - Left	1	2	T.	Mattress Base Board - headend	1	3B
D.	Side Rail - Right	1	2	U.	Mattress Base Board - footend	1	3B
E.	Plinths for Side Rails	2	2	V.	Piston for Mattress Base Board Set	2	3B
F.	Angled Support Brackets	2	3B	W.	Connection Bar Double & King/Super King	2/4	3B
G.	Support Brackets Double & King/Super King	1/2	3B	X.	Metal Connection Plates	2	3B
H.	Storage Base Boards	4	3B	Y.	Metal Plate for Fabric Hand Strap	1	3B
I.	Feet for Storage Base Boards Double & King/Super King	32/48	3B	Z.	Fabric Hand Strap	1	3B
J.	Side Rail Cross Bar	1	3B	Ottoman support bar PACK (O.S.B.)			
M.	Mattress Stoppers	2	3B	O.	Ottoman support bar	1	2
				P.	Fixed retaining bracket - side rail	1	2
				Q.	Parking bracket - slat-frame	1	2

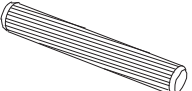



# Fittings for Chloe

Please check you have all the parts listed below with your product:

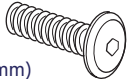



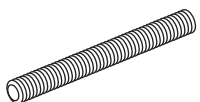
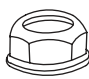
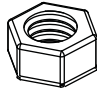

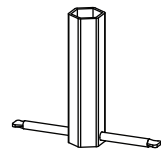
## Hardware needed for fixing side rails to headboard & footboard Packed in side rail carton, inside Pack 2 - hardware pack (A)

<p><b>a</b> Double &amp; King x22 Super King x24</p>  <p>Bolts (M8x25mm) Fitting side rails (C&amp;D) to headboard &amp; footboard (A&amp;B)</p>	<p><b>b</b> Double &amp; King x26 Super King x28</p>  <p>Spring Washer for M8 bolt</p>	<p><b>c</b> Double &amp; King x26 Super King x28</p>  <p>Flat Washer for M8 bolt</p>	<p><b>d</b> x1</p>  <p>Allen Key for M8 bolt</p>	<p><b>e</b> x4</p>  <p>Bolts (M8x50mm) Fitting cross bar (J) to side rails (C&amp;D)</p>
-------------------------------------------------------------------------------------------------------------------------------------------------------------------------------------------------------------------------------------------	-----------------------------------------------------------------------------------------------------------------------------------------------------------------------------	---------------------------------------------------------------------------------------------------------------------------------------------------------------------------	-------------------------------------------------------------------------------------------------------------------------------------	---------------------------------------------------------------------------------------------------------------------------------------------------------------------------------



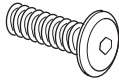
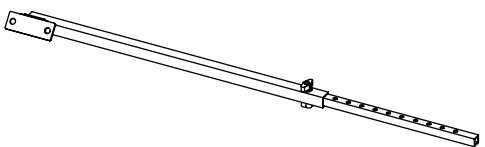
## Hardware needed for fixing plinths to side rails & footboard Packed in side rail carton, inside Pack 2 - hardware pack (D)

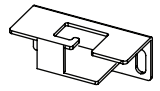
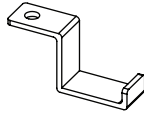
<p><b>n</b> x4</p>  <p>Dowel (Ø6x40mm)</p>	<p><b>p</b> x9</p>  <p>Bolts (M6x45mm) for fitting plinths (E) to side rails (C&amp;D) and (R) to footboard (B)</p>	<p><b>q</b> x9</p>  <p>Flat Washer (M6x13mm) for M6 bolt</p>	<p><b>r</b> x1</p>  <p>Allen Key for M6 bolt</p>
-----------------------------------------------------------------------------------------------------------------------------	------------------------------------------------------------------------------------------------------------------------------------------------------------------------------------------------------	-----------------------------------------------------------------------------------------------------------------------------------------------	-------------------------------------------------------------------------------------------------------------------------------------

## Hardware needed for fixing solid mattress base board Packed in ottoman carton, inside Pack 3B - hardware pack (B)

<p><b>a</b> Double &amp; King x10 Super King x6</p>  <p>Bolts (M8x25mm) Fitting mattress stoppers (M) and metal connection plates (X) to mattress base boards (T&amp;U)</p>	<p><b>b</b> Double &amp; King x18 Super King x22</p>  <p>Spring Washer for M8 bolt</p>	<p><b>c</b> Double &amp; King x24 Super King x28</p>  <p>Flat Washer for M8 bolt</p>	<p><b>e</b> Double &amp; King x8 Super King x16</p>  <p>Bolts (M8x50mm) Fitting connection bars (W) to mattress base boards (T&amp;U)</p>	<p><b>f</b> x6</p>  <p>Threaded stud (M8x50mm)</p>
<p><b>h</b> x4</p>  <p>Flanged lock-nuts M8 for gas-lift pistons</p>	<p><b>i</b> x6</p>  <p>Nut for M8 bolts</p>	<p><b>j</b> x1</p>  <p>Spanner for M8 nut</p>	<p><b>k</b> x1</p>  <p>Tube Spanner for M8 nut</p>	

## Hardware needed for fixing ottoman support bar (O.S.B) to the solid mattress base boards Packed in the side rail carton, inside Pack 2 - hardware pack (C)

<p><b>b</b> x5</p>  <p>Spring washer for M8 bolts</p>	<p><b>c</b> x5</p>  <p>Flat washer for M8 bolts</p>	<p><b>m</b> x5</p>  <p>Bolts (M8x25mm) for fitting ottoman support bar system</p>	<p><b>O</b> x1</p>  <p>Ottoman Support Bar</p>
------------------------------------------------------------------------------------------------------------------------------------------	----------------------------------------------------------------------------------------------------------------------------------------	----------------------------------------------------------------------------------------------------------------------------------------------------------------------	------------------------------------------------------------------------------------------------------------------------------------

<p><b>P</b> x1</p>  <p>Fixed retaining bracket - side rail</p>	<p><b>Q</b> x1</p>  <p>Parking bracket - slat frame</p>
---------------------------------------------------------------------------------------------------------------------------------------------------	--------------------------------------------------------------------------------------------------------------------------------------------

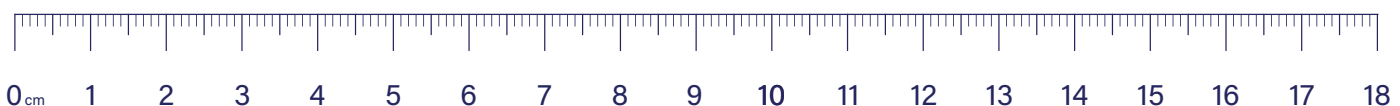
## Tools required



Tape measure

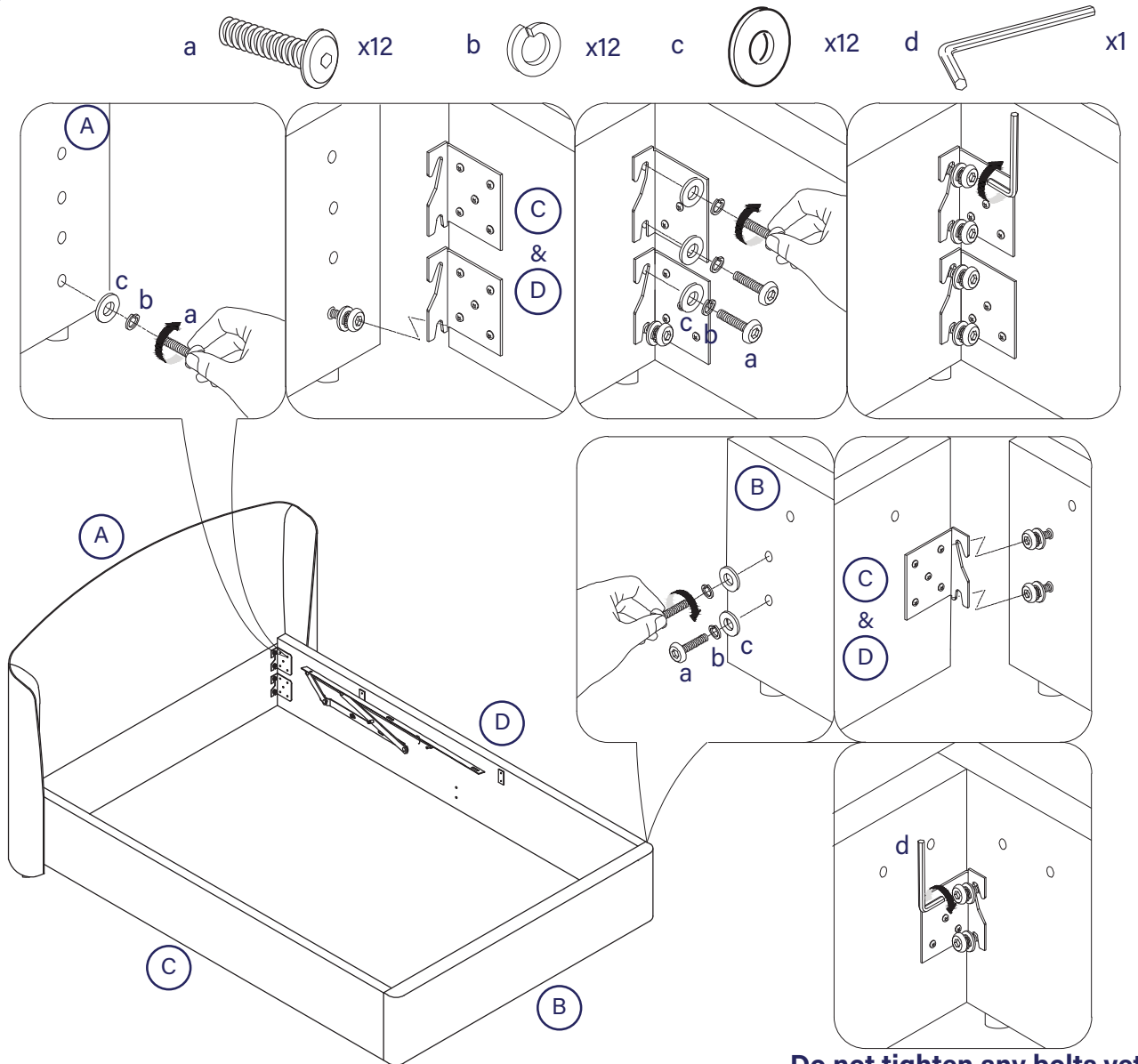


Cross head screwdriver



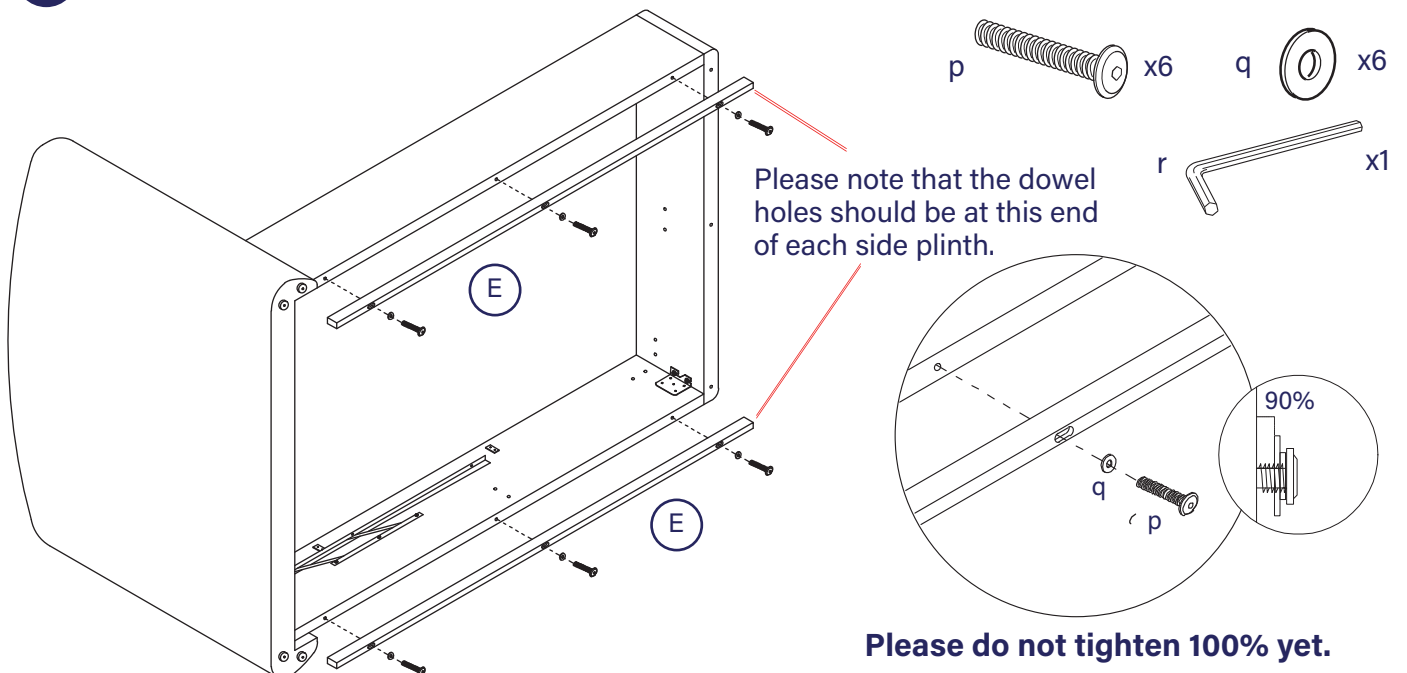
# CHLOE

## 1b Prepare headboard & footboard & fit side rails (C & D).

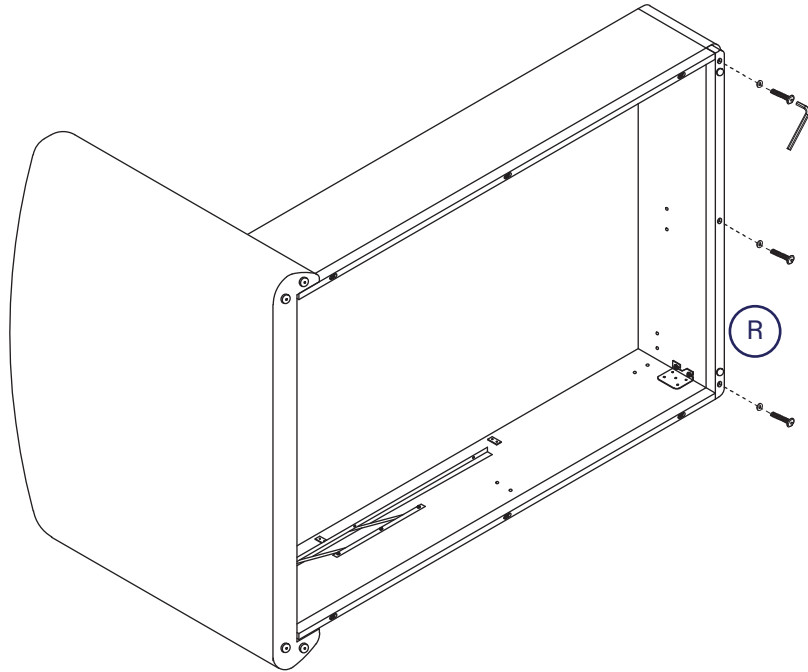
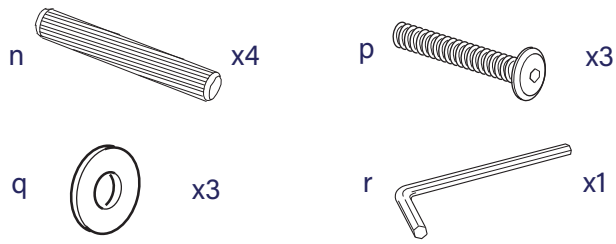


**Do not tighten any bolts yet.**

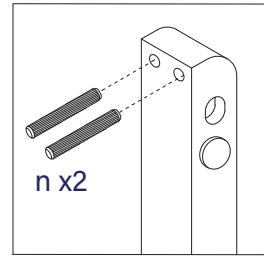
## 2b Align & fit the wooden plinths (E) to each side rail.



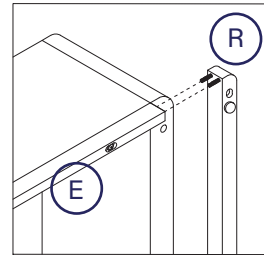
### 3b Align & fit the wooden plinth (R) to the footboard.



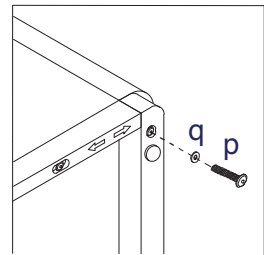
i) Put dowels (n) into the holes at each end of plinth (R).



ii) On the end of each side rail plinth, slide in the four dowels.

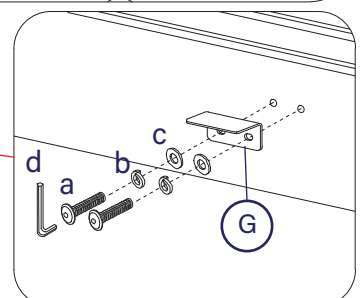
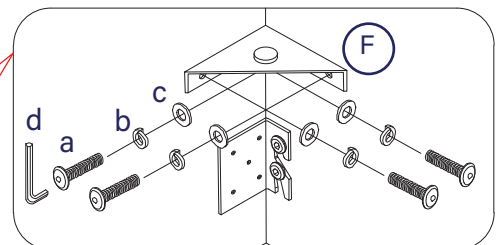
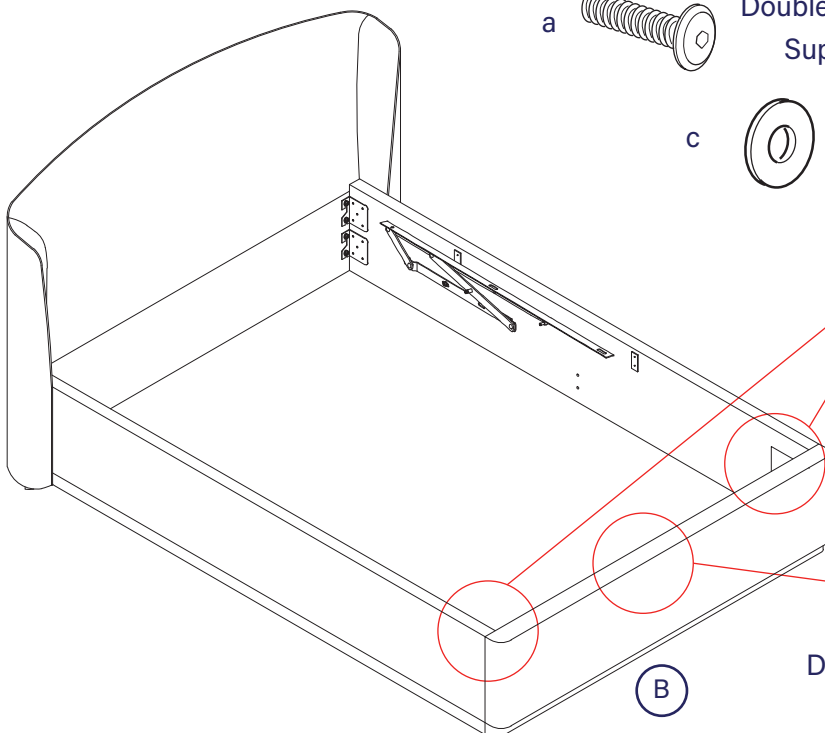
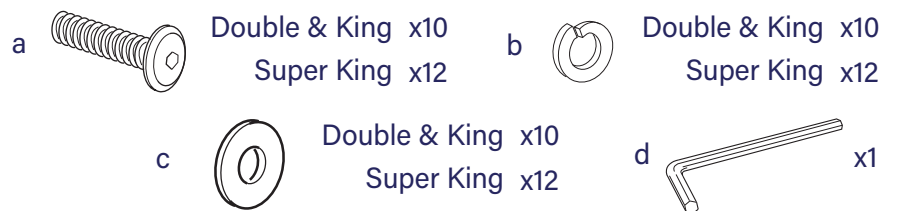


iii) Using bolt sets (p & q) bolt plinth (R) to the footboard, **Do not tighten 100% yet.**



Align the ends and edges of the three plinths then tighten all bolt sets 100% using Allen key (r).

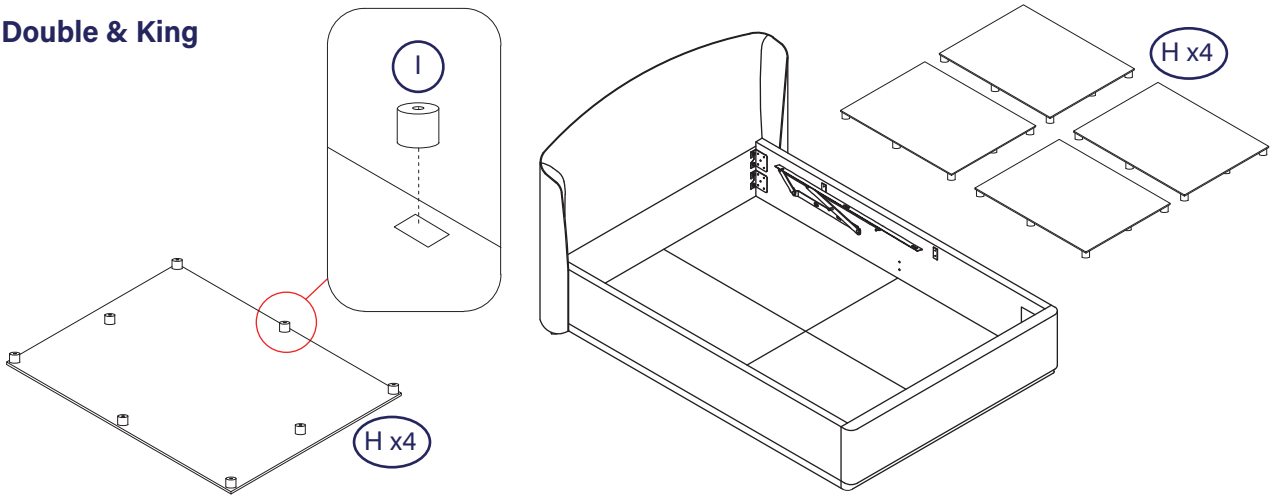
### 4b Fit the angled corner brackets (F) and frame support (G).



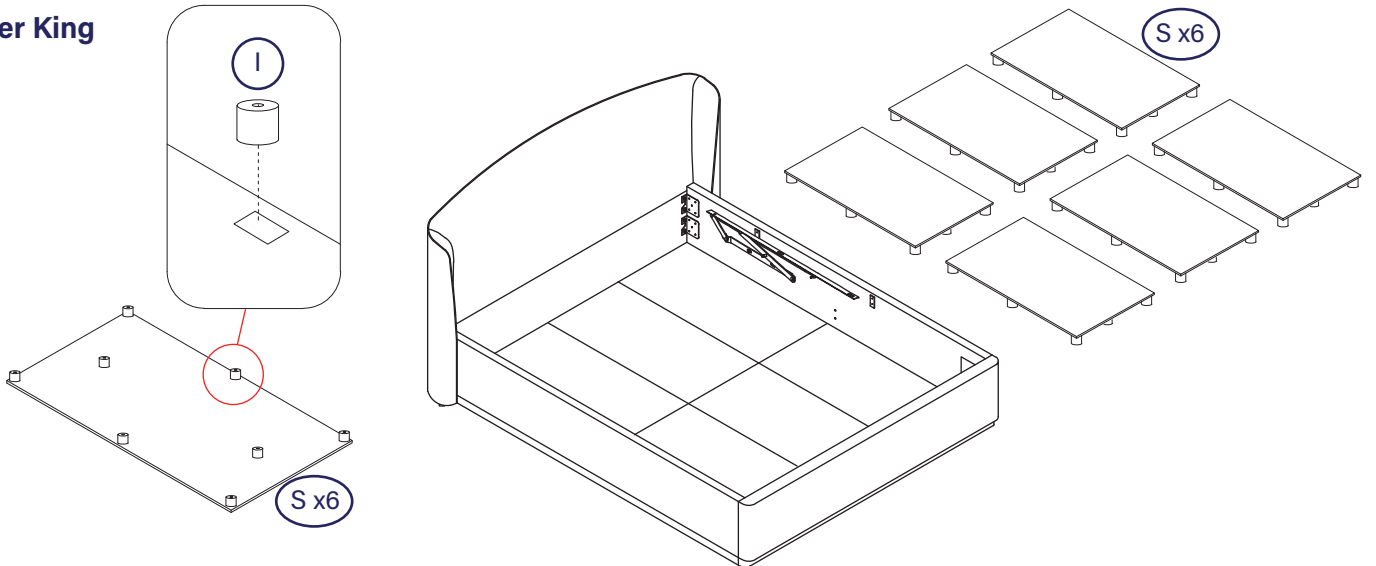
Double & King x1  
Super King x2

**5b** Prepare the storage base boards - fit the eight plastic glides (I) to the velcro pads underneath each board, then slide the boards into place.

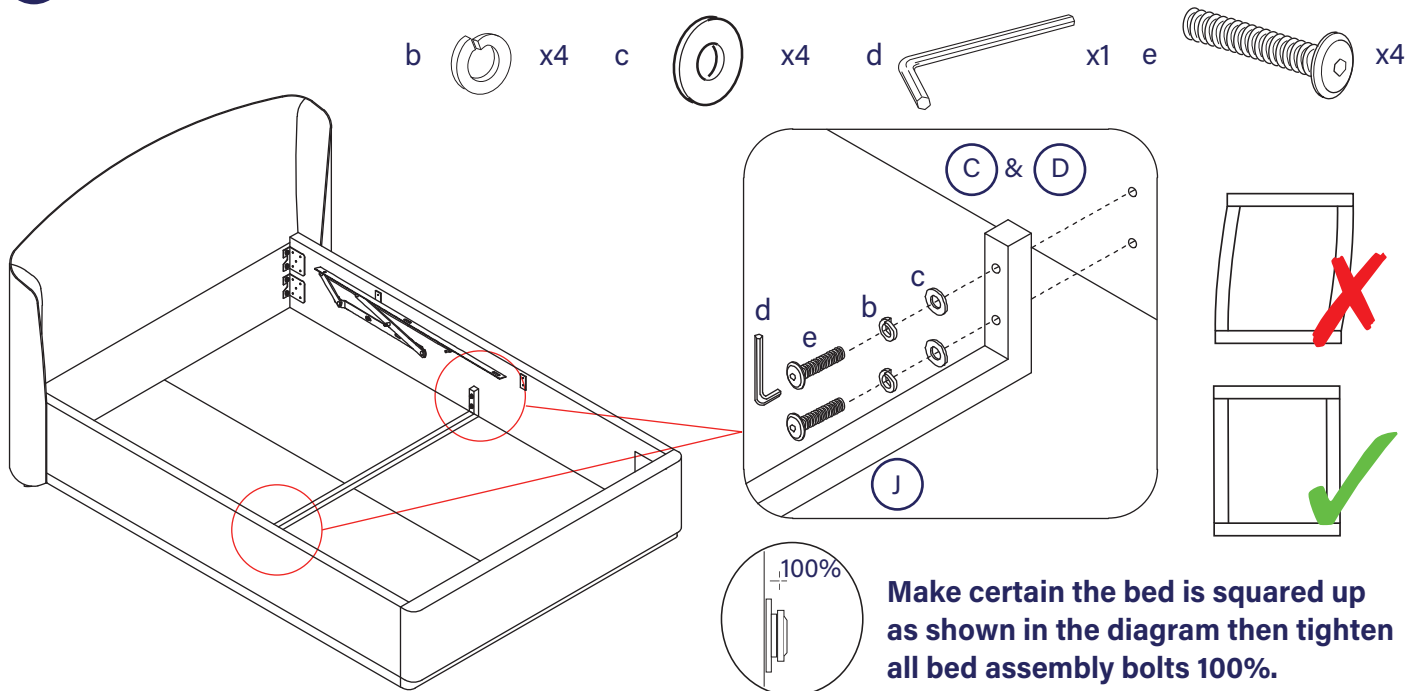
**Double & King**



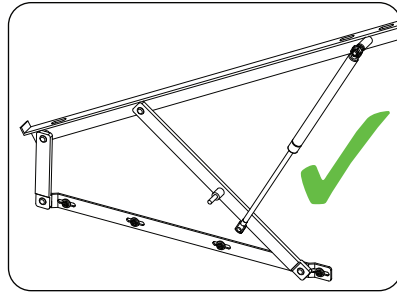
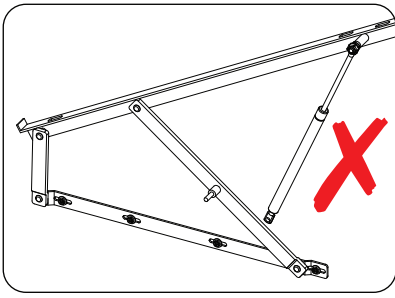
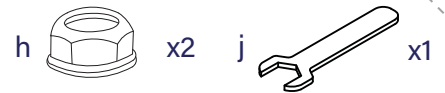
**Super King**



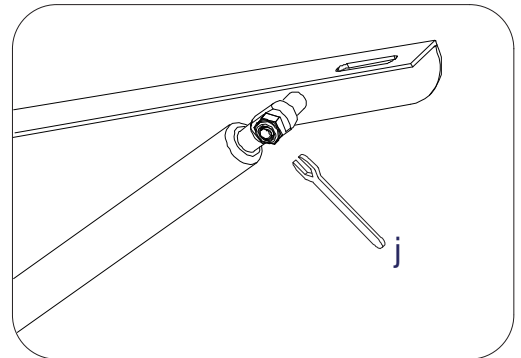
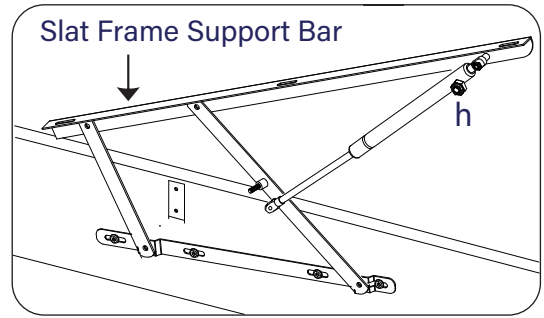
**6b** Fit the cross bar (J) to side rails (C & D).



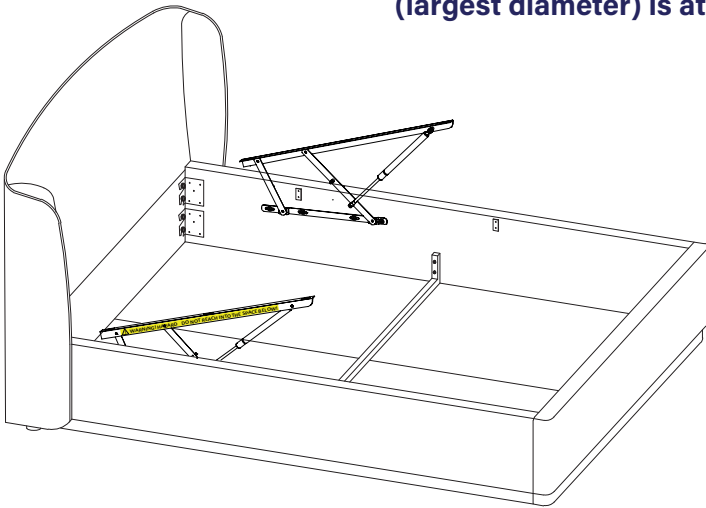
Loosely fit the piston stems to the upper axles.



Please make sure the cylinder (largest diameter) is at the top.



Fit the piston stems to upper axles using lock nuts (h)  
Do not tighten these nuts 100%.

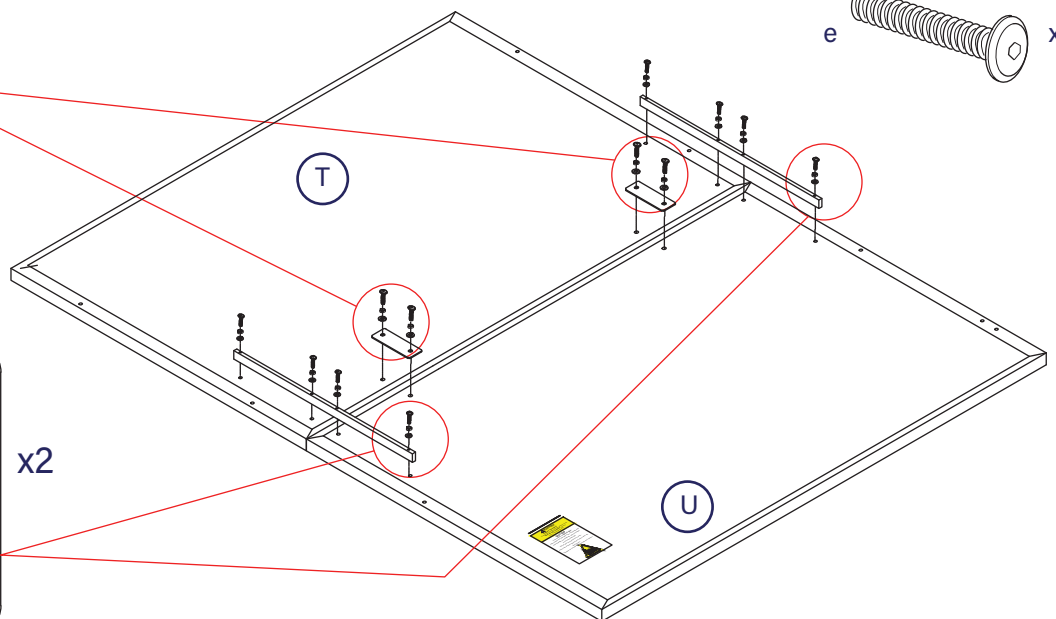
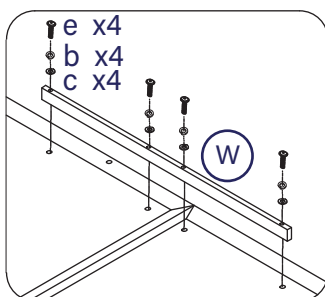
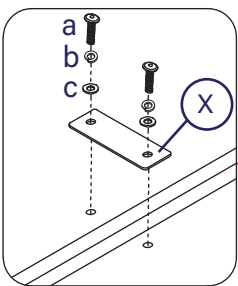
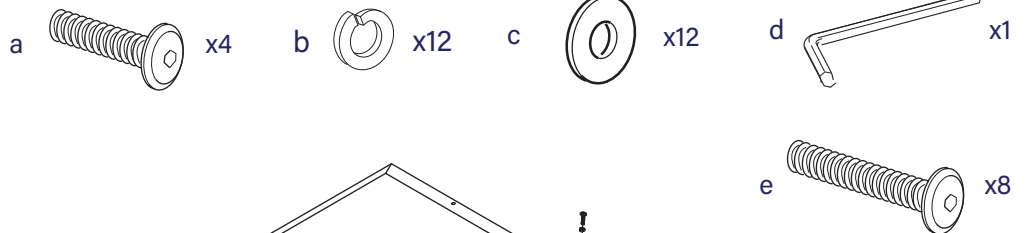


**PLEASE CARRY ON THE ASSEMBLY FOR CHLOE, FROM STEP (7)**

## Fitting the Solid mattress base boards to either Bethany or Chloe.

### 7 Prepare the solid mattress base boards

Double & King



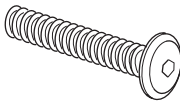


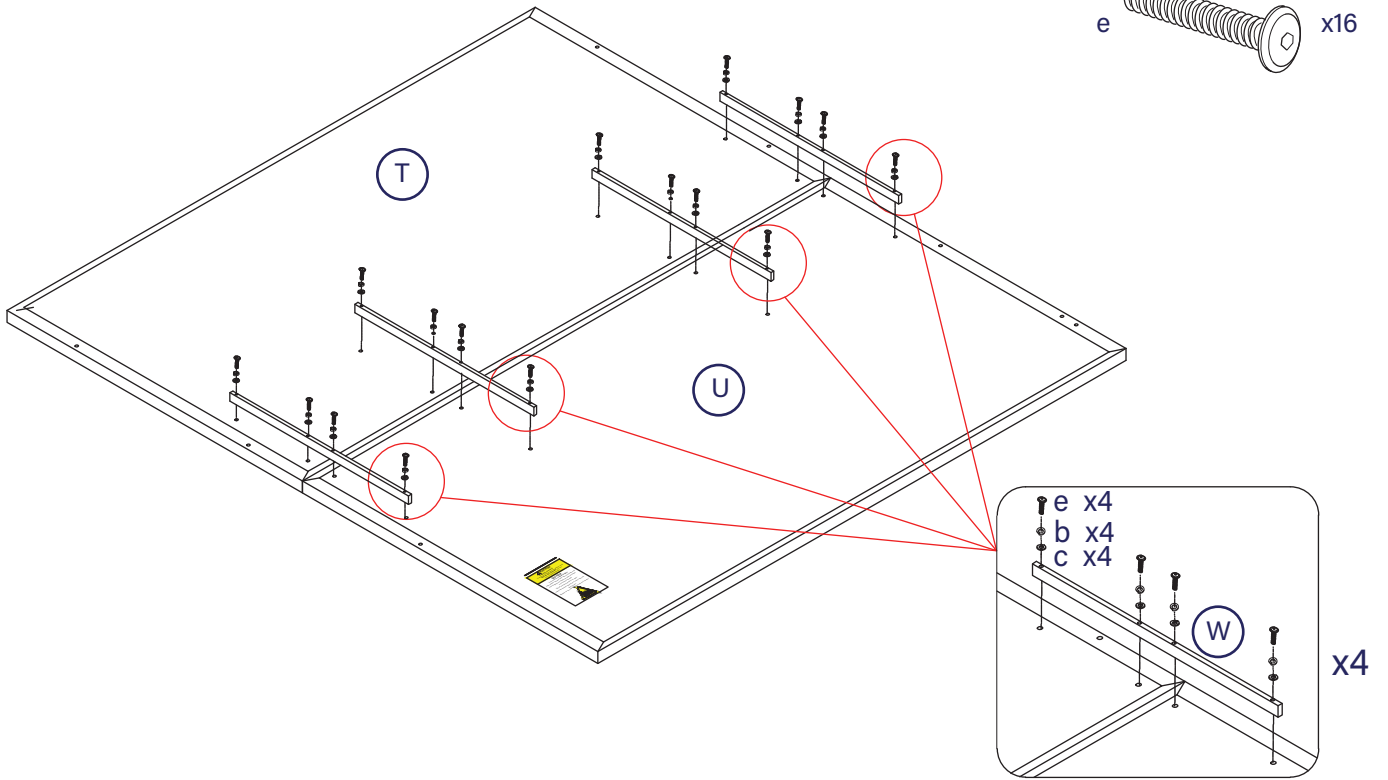
# Super King

b  x16

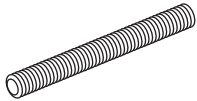
c  x16

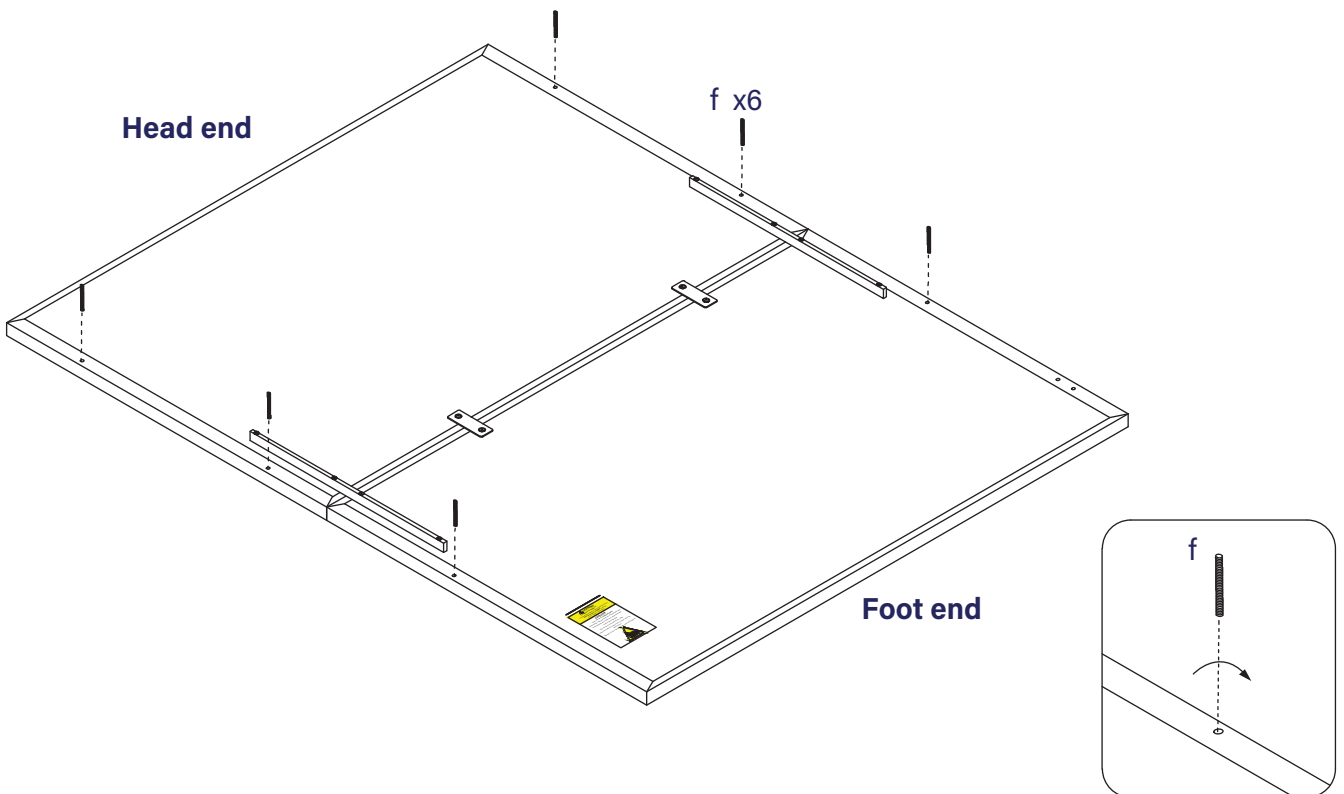
d  x1

e  x16



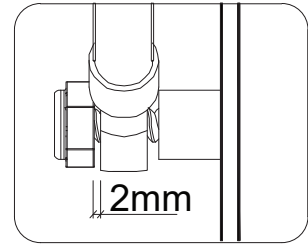
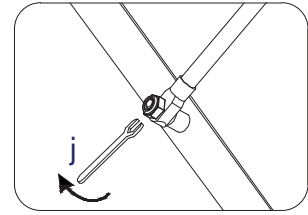
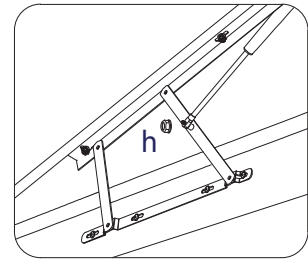
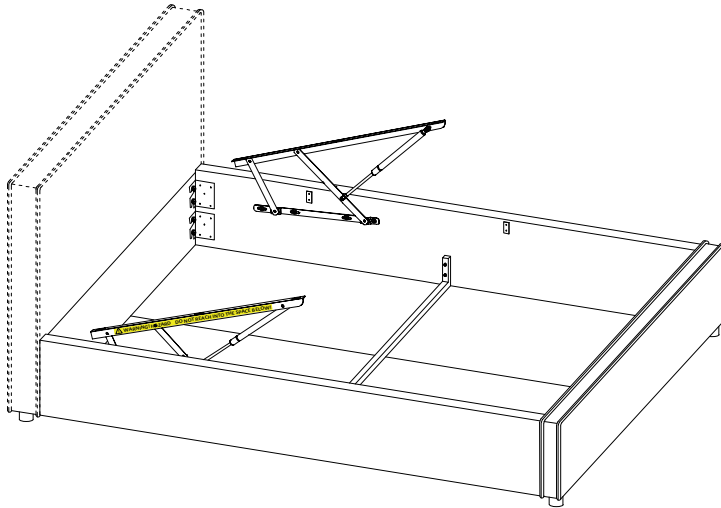
**8** Carefully screw in the threaded studs until they stop.

f  x6



9

h  x2 j  x1

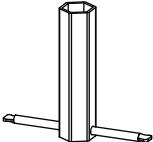



Fit the piston stems to lower axles and fit lock-nuts (h). Tighten them with spanner (j) but note, a small 2mm gap is needed so stems can move freely - this is important so do not over-tighten - see sketch -->

10

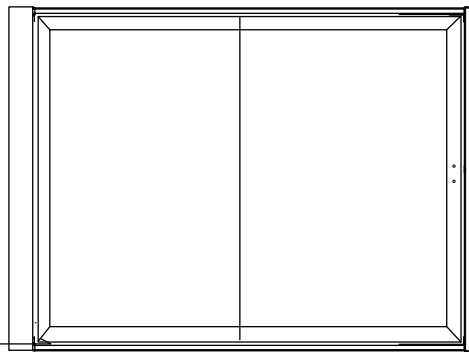
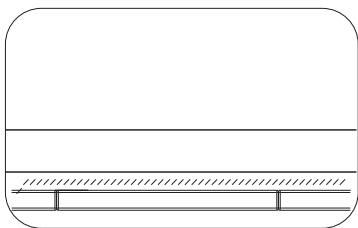
b  x6

c  x6

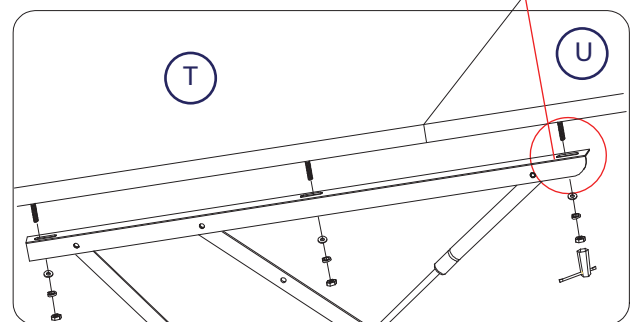
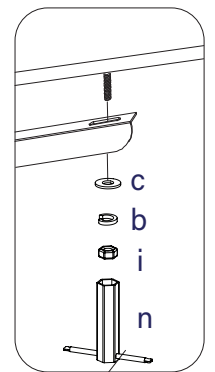
n  x1

i  x6

**i)** Carefully lay mattress base boards onto the top of the support bars sliding the studs into the correct holes. Adjust so that there is an even gap all round, as in the sketch.

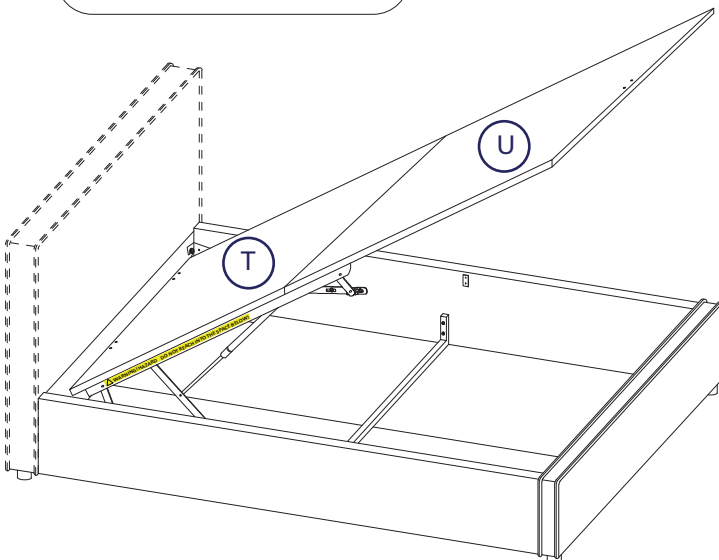


**ii)** Using three nut sets on each side (c, b, & i), fix mattress base board loosely to the bars.

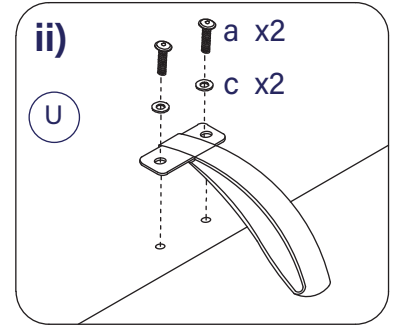
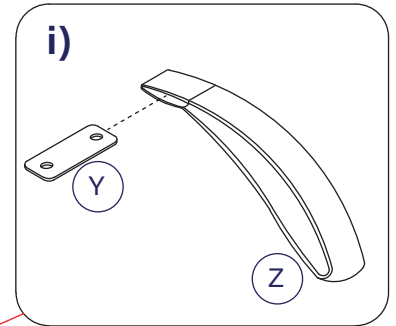
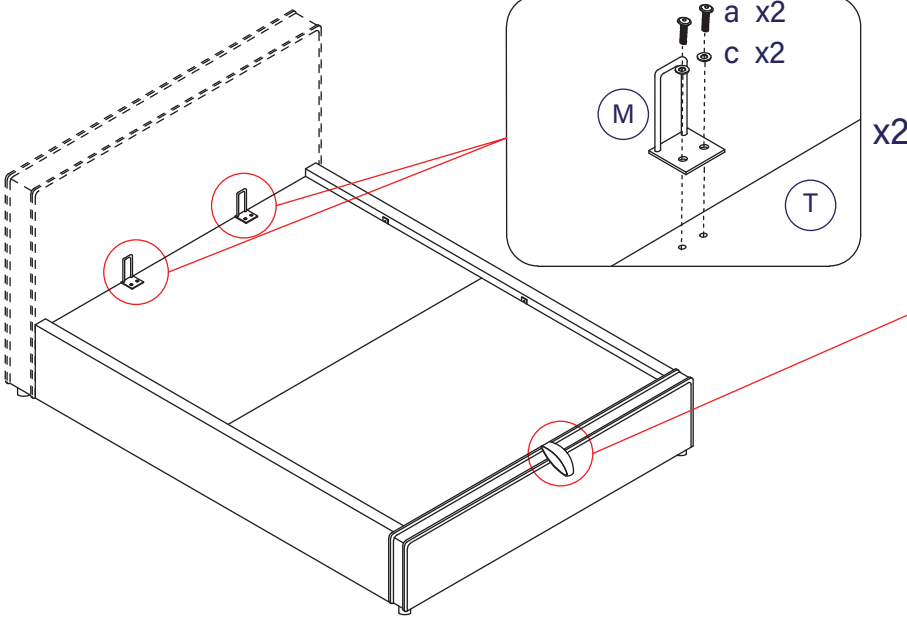


Bolt into centre of long holes

**iii)** Tighten all six nut sets 100% using tube spanner (n).



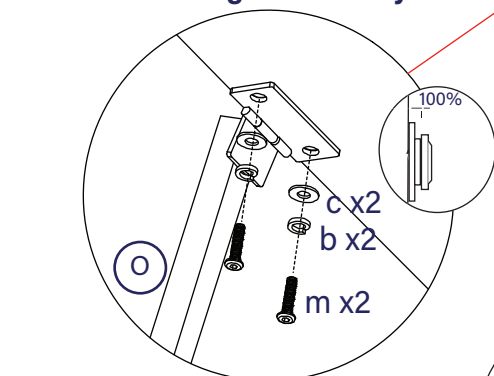
## 11 Fit the accessories.



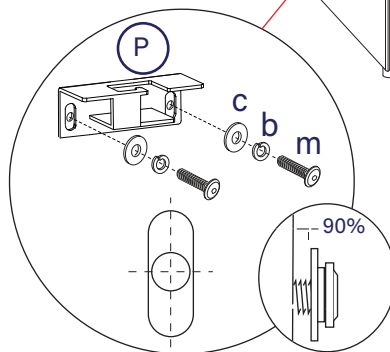
## 12 Unpack the contents of the Ottoman Support Bar (O.S.B.) from its carton - this is packed inside Pack 2.

i) To underneath of mattress base board, fit the parking bracket (Q). This is used to safely keep the support bar out of the way when not in use. Use one bolt set (m, b & c) - please make sure the bracket is fitted the correct way round as shown. Screw into the threaded insert on the underside of the frame.

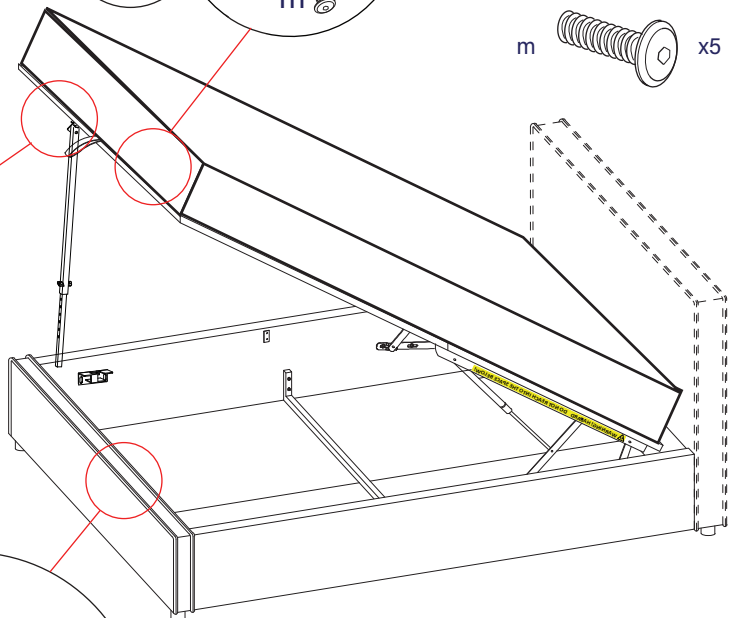
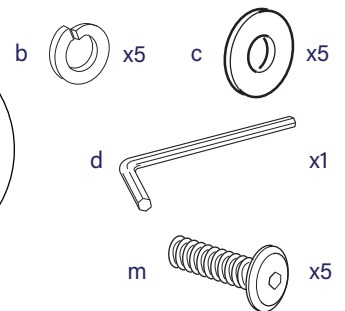
ii) To underneath of mattress base board, fit the O.S.B. support bar (O) as shown. Using two bolt sets (m, b & c), screw the bolts into the threaded inserts on the underside of the board. **Please do tighten 100% yet.**



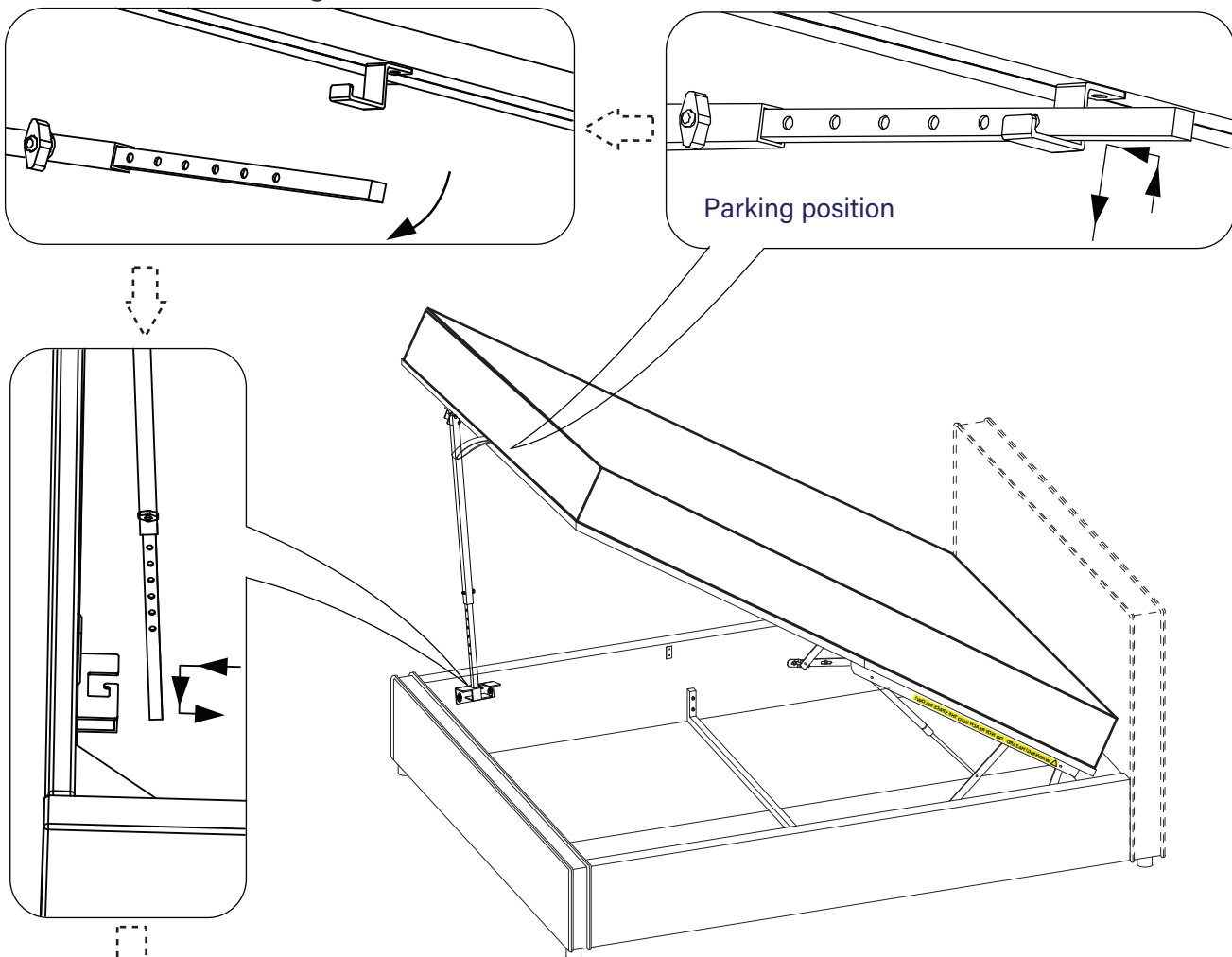
iii) Fit the fixed retaining bracket (P) to the side rail using two bolt sets (m, b, & c). Screw the bolts into the threaded inserts on the side rail. Make certain the bracket is level and at the correct height.



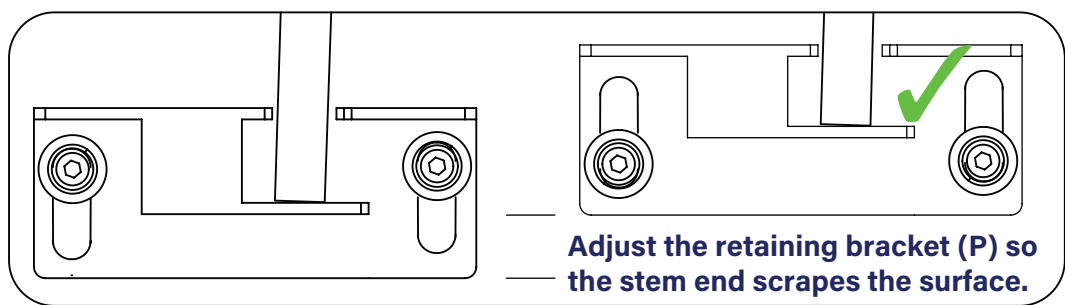
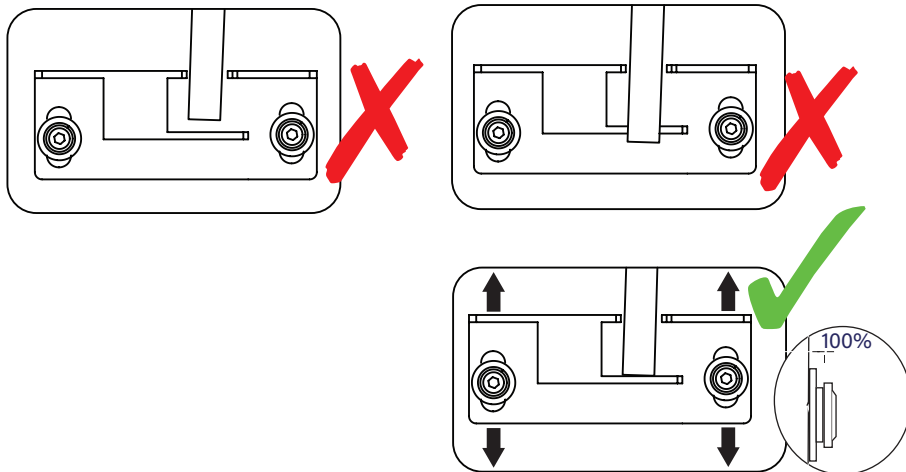
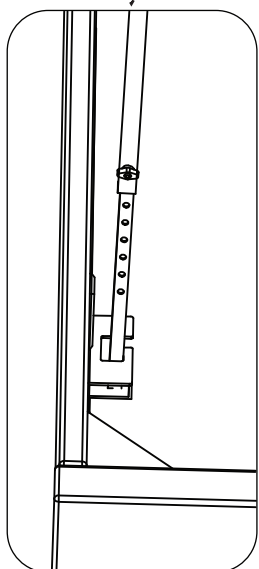
iv) The bolts should be in the centre of the long holes and one may need to slide the inner bar and the bracket, up or down so the bottom of the O.S.B stem just touches the surface - better to do this AFTER the mattress is fitted.



**13** Setting the inner stem of the support bar (O), adjust the inner stem to the correct length.



Set the inner stem to the correct length so the end just touches the retaining bracket - it needs to touch to hold it in position.



Adjust the retaining bracket (P) so the stem end scrapes the surface.

# Bethany Ottoman Bed

## Technical Specifications

### Overall Dimensions (LWH cm)

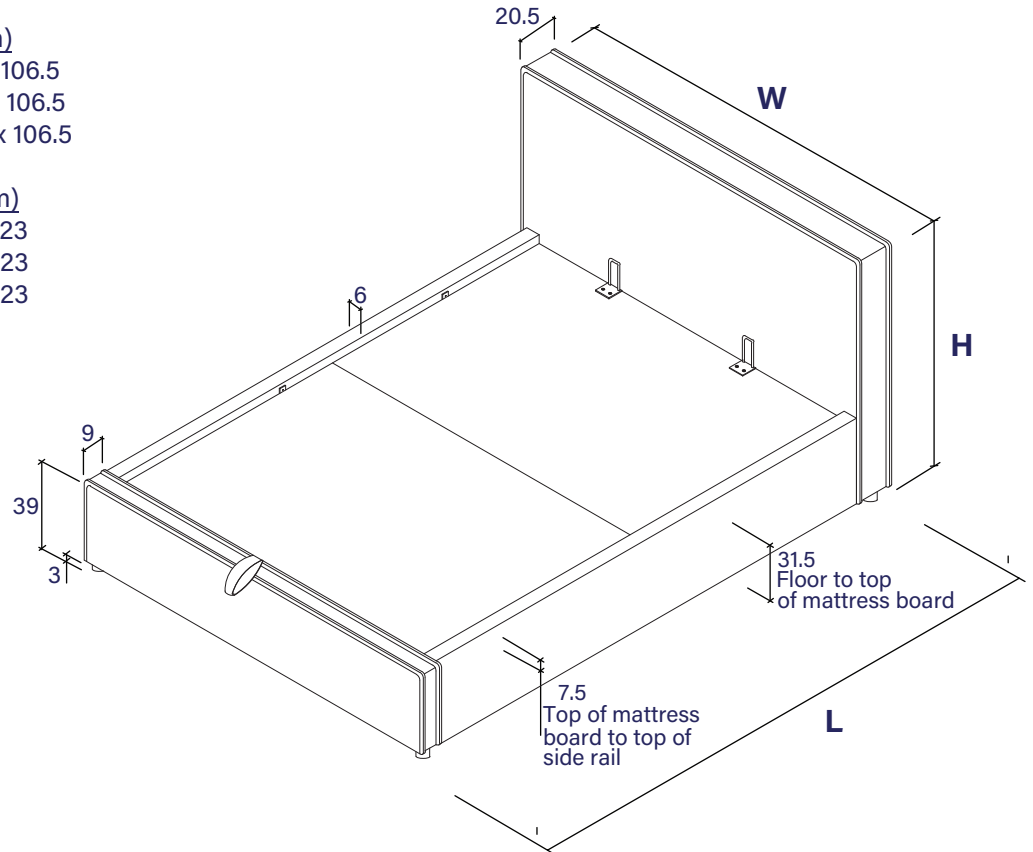
Double:	220 x 155.5 x 106.5
King:	230 x 170.5 x 106.5
Super King:	230 x 200.5 x 106.5

### Internal Dimensions (LWH cm)

Double:	192 x 137.5 x 23
King:	202 x 152.5 x 23
Super King:	202 x 182.5 x 23

### Ottoman Piston Rating

Double:	900 N
King:	1000 N
Super King:	1200 N



# Chloe Ottoman Bed

## Technical Specifications

### Overall Dimensions (LWH cm)

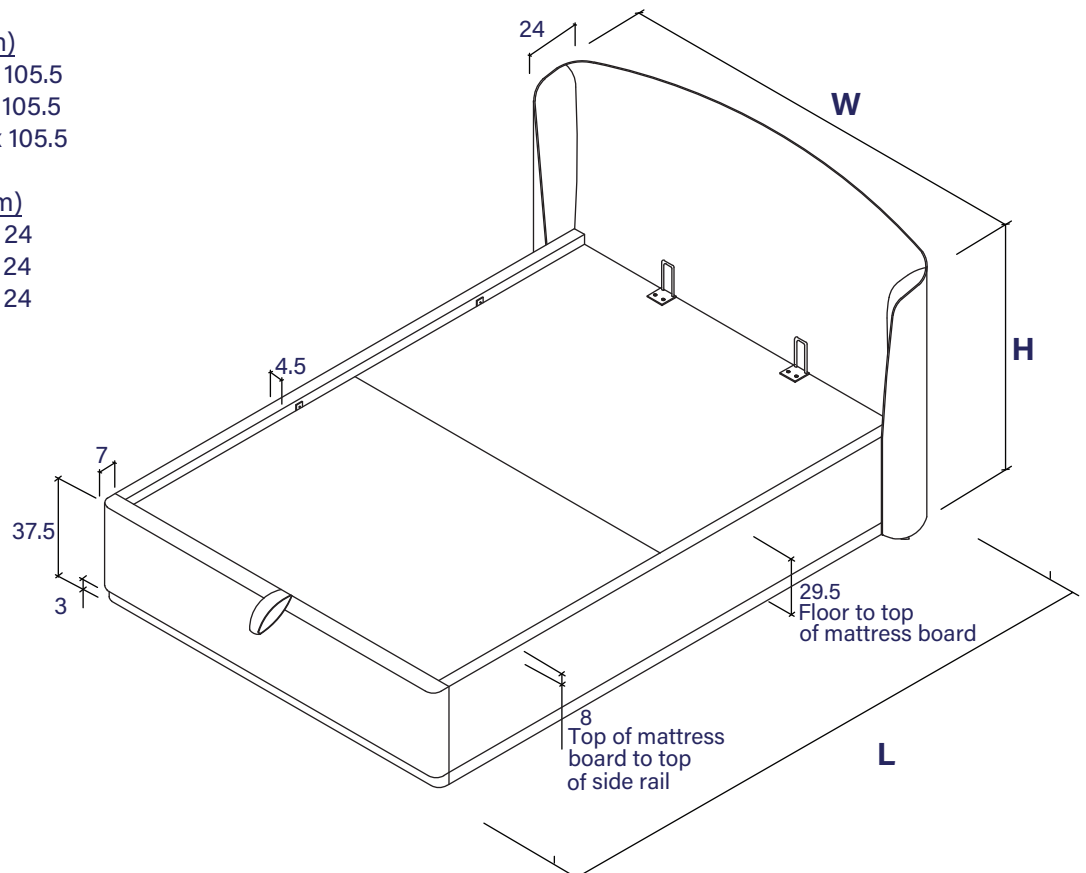
Double:	208 x 162.5 x 105.5
King:	218 x 177.5 x 105.5
Super King:	218 x 207.5 x 105.5

### Internal Dimensions (LWH cm)

Double:	192 x 137.5 x 24
King:	202 x 152.5 x 24
Super King:	202 x 182.5 x 24

### Ottoman Piston Rating

Double:	900 N
King:	1000 N
Super King:	1200 N



# Care and maintenance

Here are some tips to keep your new bed in tip-top condition



## Cleaning

To clean your new bed, we'd advise using a warm damp cloth or if fabric, remove dust using a low suction vacuum cleaner - please do not use abrasive chemicals or bleach as this may damage the product.



## Checking and moving

Periodically we recommend you check that the screws or fixtures haven't become loose, over time. To move your new bed, we recommend lifting it where possible, as dragging or pushing it could cause damage to your flooring.



## Wood

Please note each of our wooden pieces are unique, meaning that markings and shade can vary slightly between beds. Over a period of time, the wood might lighten or fade slightly due to light exposure.



## Fabric

Please note depending on the lighting, positioning and surroundings of your room, the shade of the colour can sometimes appear slightly different. Over a period of time the colour might lighten or fade slightly due to light exposure.



## Metal

Metal tends to be more resilient to everyday wear and tear. We recommend to gently dust your metal furniture and keep it dry to maintain its look.

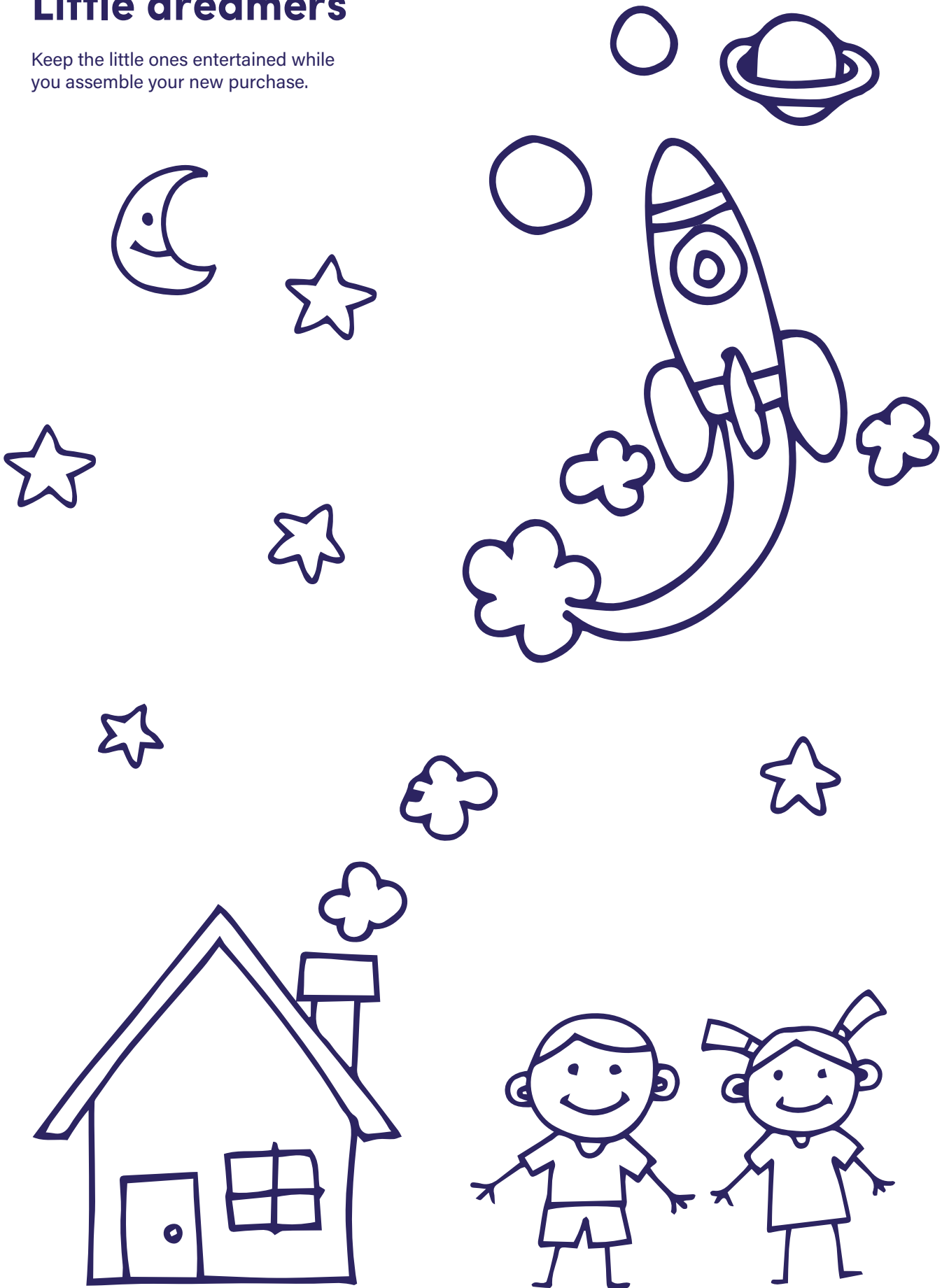
Thank you for shopping with us - we hope you have a great night's sleep

*Sleep well*



# Little dreamers

Keep the little ones entertained while you assemble your new purchase.



# Dreams