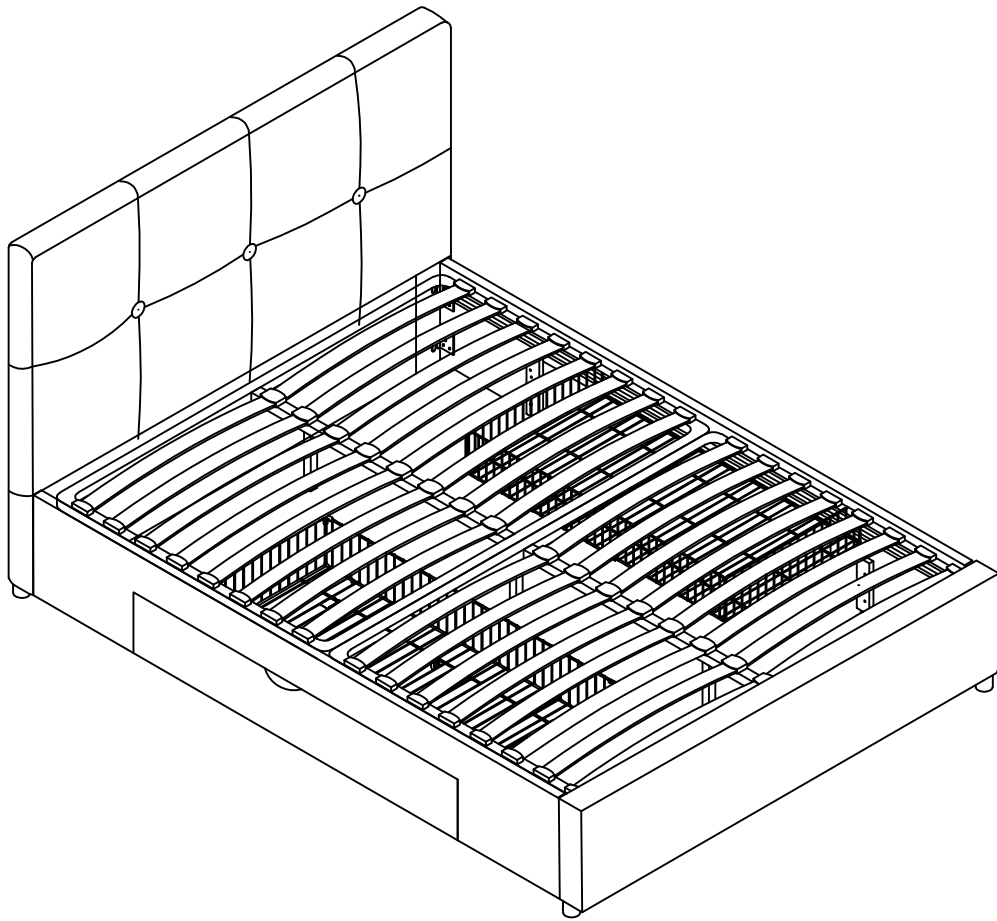


Baxter Drawer Bed

Double
King



1 hour approx
assembly time



Two person
assembly

Dreams

Love your bed

V1 241007

Thank you

Hello, thanks for choosing to purchase your bed from Dreams - you're now on your way to your best ever night's sleep. Before you begin building your bed, please take a moment to read through the instructions and make sure that you've got all the relevant parts listed on the following pages.



Assembly tips

Before you begin, it's best to identify all parts and fittings to build your bed. We advise laying these out on the floor to check you have everything, and familiarising yourself before building.



Top tip

We recommend that you build your new bed in the room you'd like it to be located - this will help prevent any risk of damage to your newly built bed whilst moving it.



Safety and care

It's really important to ensure children and animals are kept away from the assembly area, as there are small components used in this bed which could present a choking hazard. All plastic and wrapping materials should also be kept away from children and animals to prevent any risk of suffocation. To keep your little ones busy, there is a colouring page inside the back cover.



Help and support

At Dreams, it's our mission to give the whole nation a great night's sleep - this means that the quality of our products is of utmost importance to us. If there are any issues with your product or any missing parts, please visit our website at www.dreams.co.uk/help



Recycling

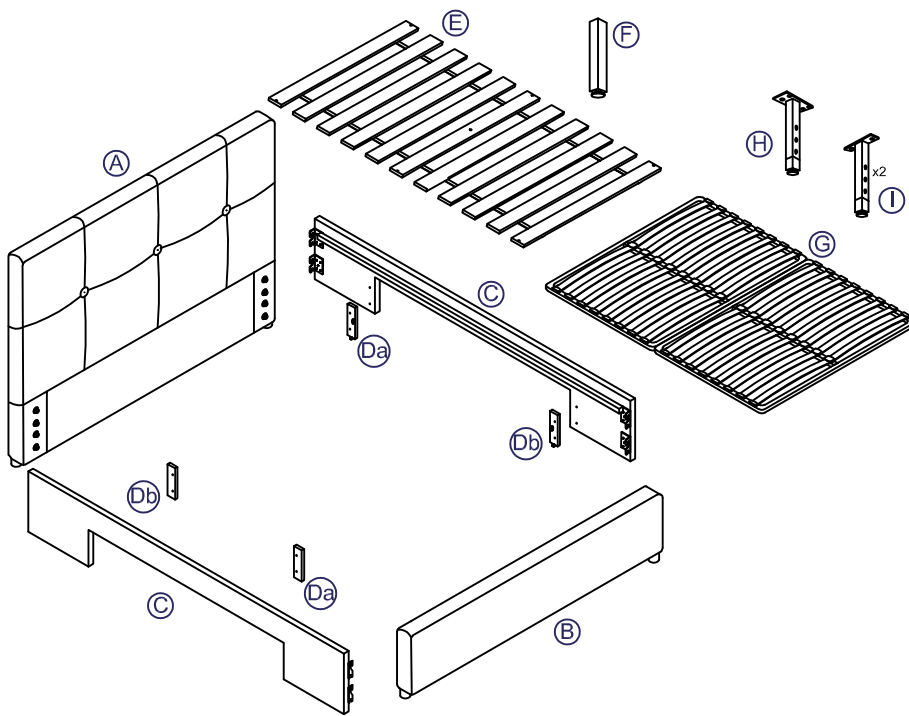
As part of our zero to landfill policy, we're more than happy to collect and recycle your old bed or mattress, ensuring no part goes to waste. We will also take away all your packaging for recycling at point of delivery. Please check out our services on www.dreams.co.uk/recycling-services for more information. If you do not want us to do this, please check with your local recycling centre on the best recycling method.

Parts

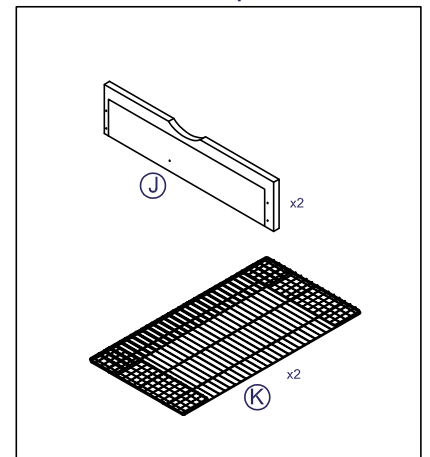
Important information

The bed you have purchased comes with 3 different base options; Solid wood, Sprung slats or Sleepmotion electric base. Please identify which base you have purchased as the assembly method may change. If you have purchased solid or sprung slats please follow the instructions below in the current order.

If you have purchased a Sleepmotion electric base, please build it following the instructions provided with the Sleepmotion base itself. Once the base is ready, please follow the bed assembly instruction provided in Pack 2L, building the bed frame around the Sleepmotion Base.



Drawer parts



Parts list

Code	Description	Qty	Pack	Code	Description	Qty	Pack
A.	Headboard	1	1	J.	Drawer Face Panel	2	2
B.	Footboard	1	3	K.	Metal Drawer	2	4
C.	Side rails	2	2				
Da&Db.	Adjustable Support Leg	2Pr	2				
E.	Wooden Slat Set	1					
F.	Wooden Slat Set Support Leg	1	2				
G.	*Upgraded Sprung Slat Frame*	1					
H.	*Sprung Slat Frame Centre Support Leg*	1					
I.	*Sprung Slat Frame Support legs*	2					

* Only supplied if upgraded sprung slat frame is chosen.
Legs (H&I) are only supplied with the sprung system.

Note:
Standard wooden slat set is Part (E) supplied separately.
Upgraded sprung slat frame set is Parts (G, H & I). Please note that the wooden slat set -or- the upgraded sprung slat frame set is supplied separate to the bed.

Tools required



Tape measure



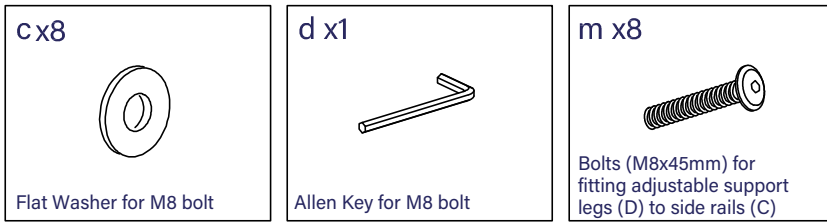
Cross head screwdriver

Fittings

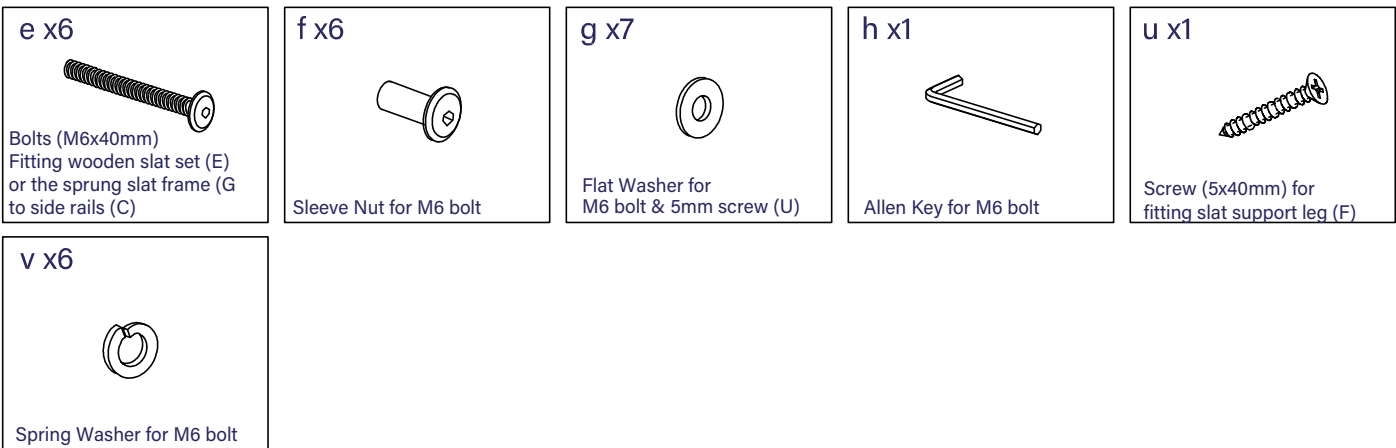
Please check you have all the parts listed below with your product:

PLEASE NOTE: There are bolts which have been pre-fitted to headboard & footboard (A&B) and are not included below - please study Step 2 carefully.

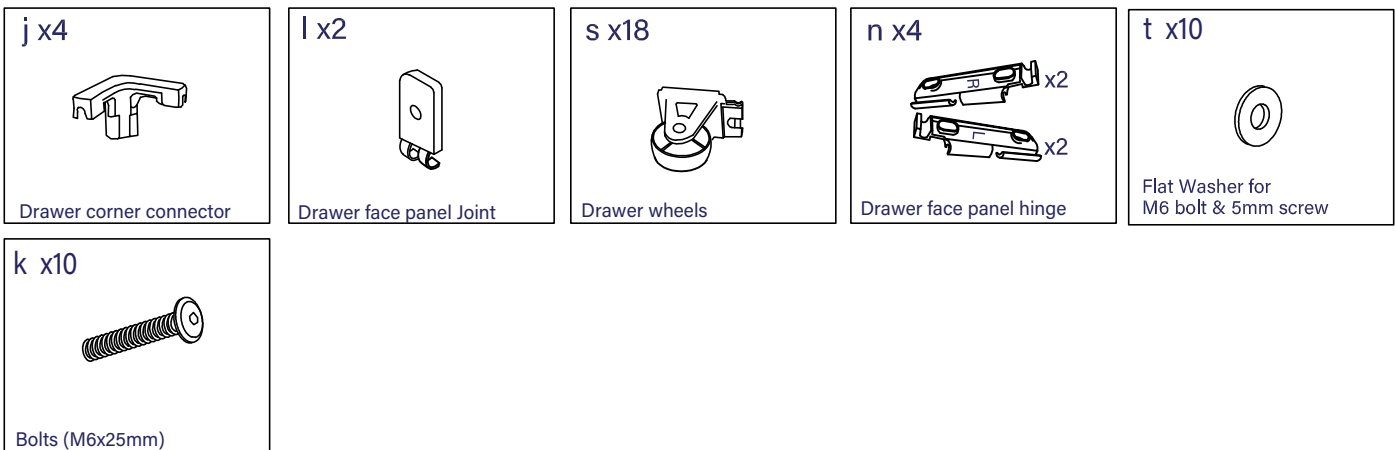
Hardware pack (A) needed for fixing side rails to headboard & footboard Packed in side rails - Pack 2



Hardware pack (B) needed for fitting wood slats or upgraded sprung slat frame Packed in side rails - Pack 2

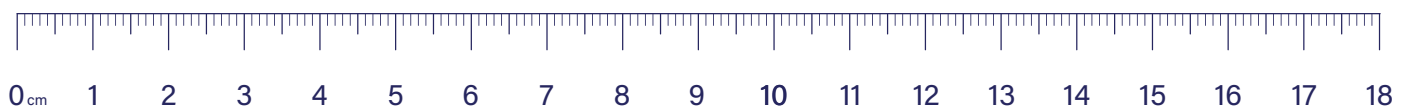
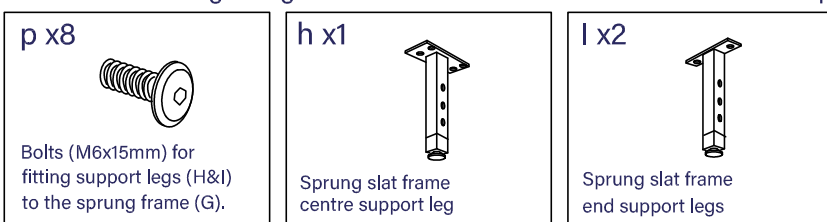


Hardware pack (C) needed for drawer assembly Packed with the two drawers - Pack 4

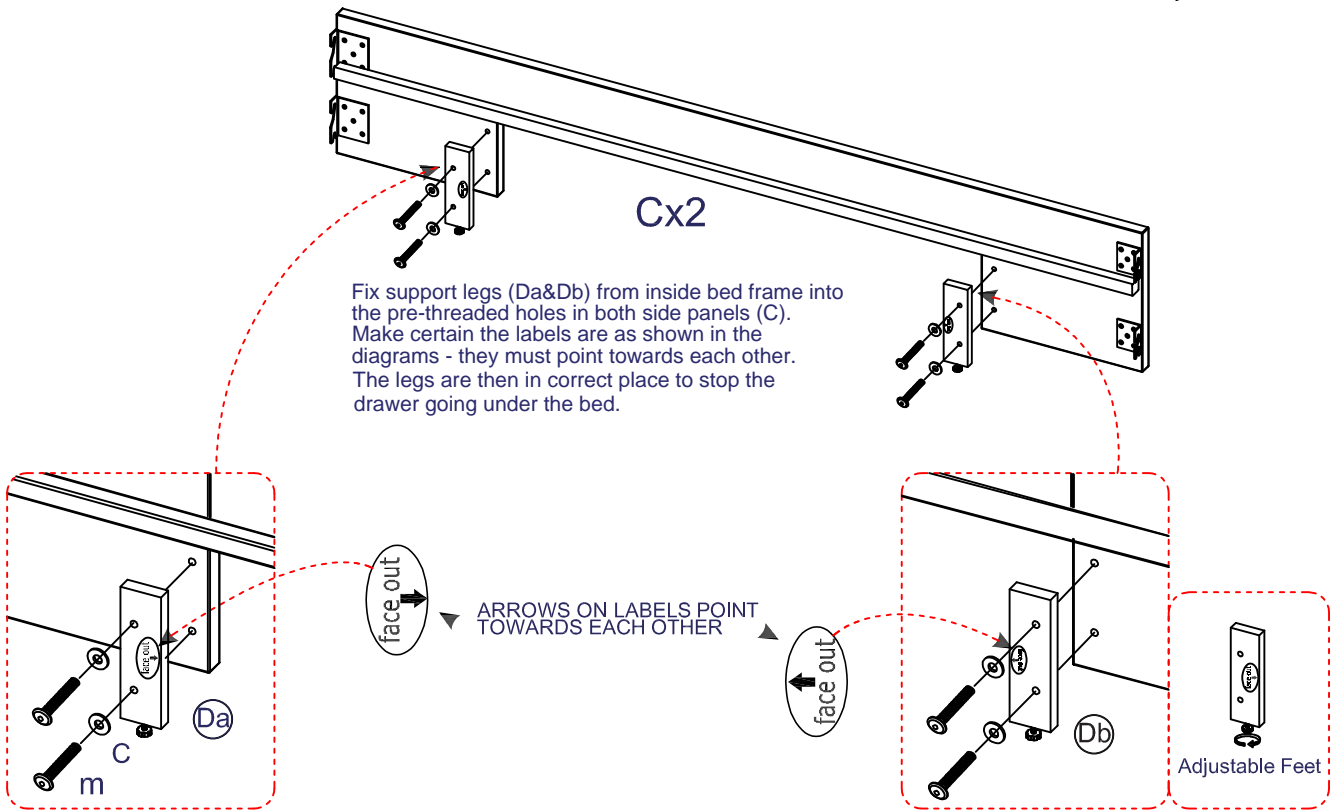
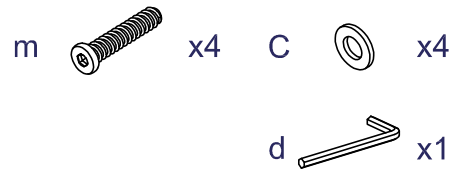


Extra hardware included when fitting upgraded sprung slat frame

Note: the following fittings will be found in the box which contains the upgraded metal frame itself.

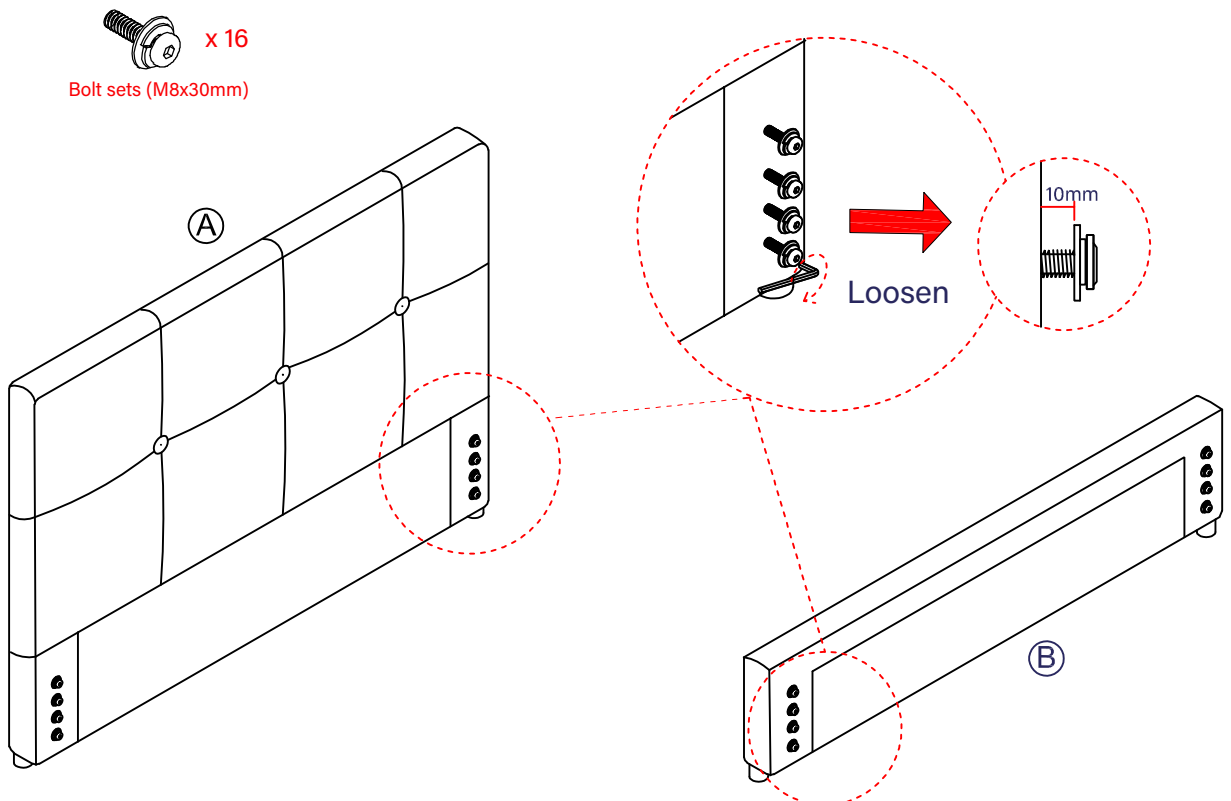
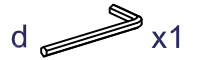


1 Prepare the side rails for assembly.

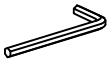


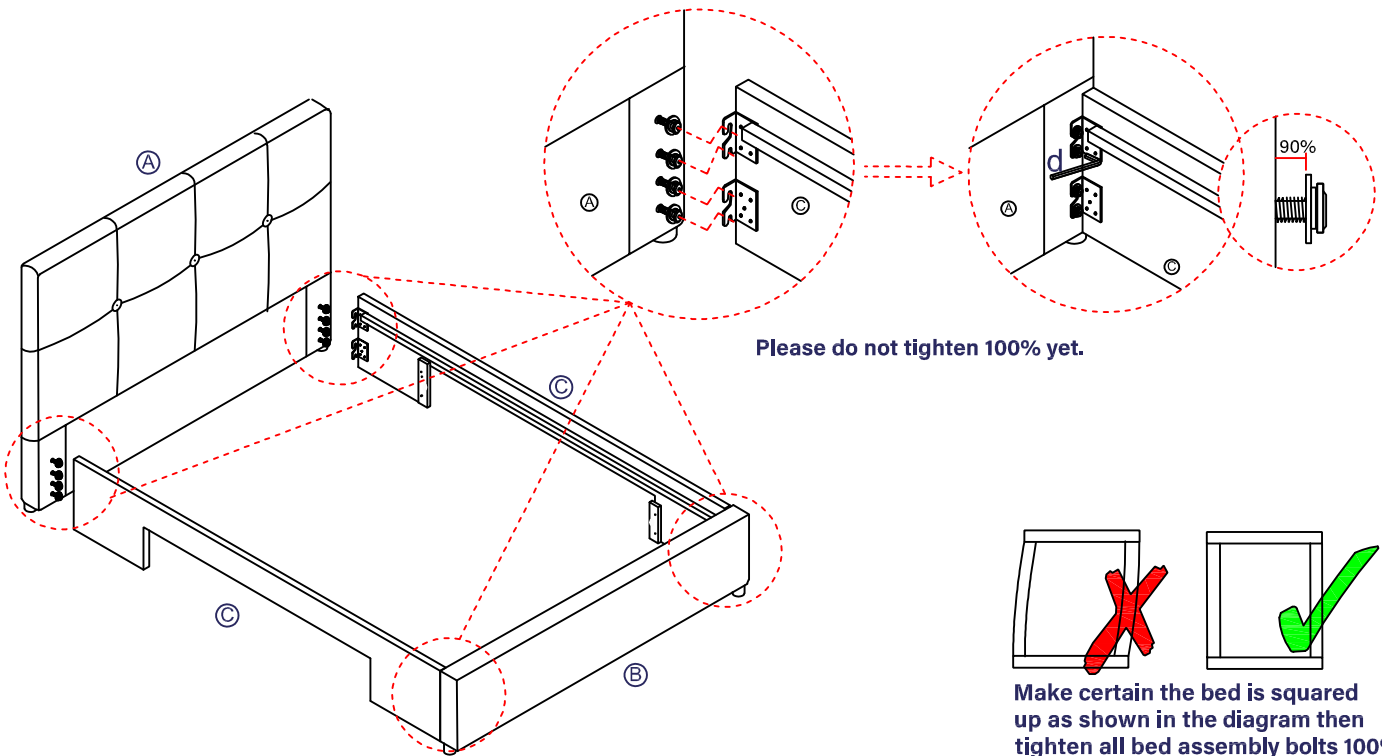
2 Prepare the headboard & footboard for assembly.

Hardware pre-fitted to the headboard & footboard (A&B)




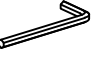




3 Fit both side rails to headboard & footboard.

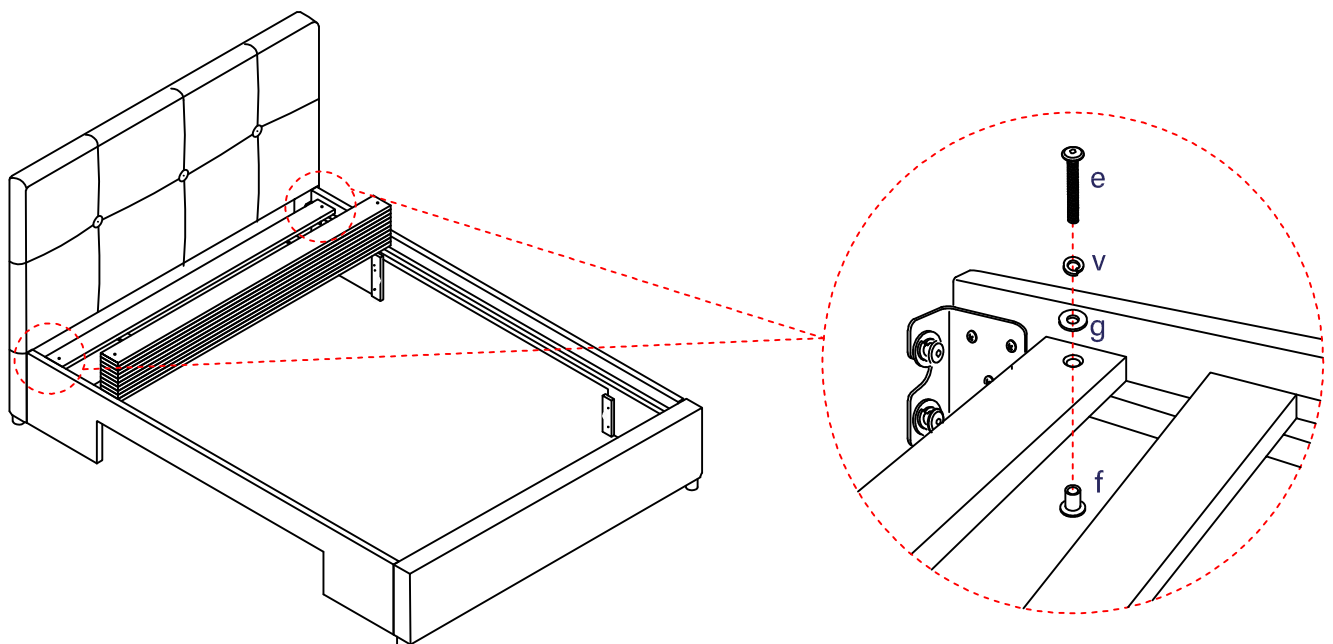
d  x1



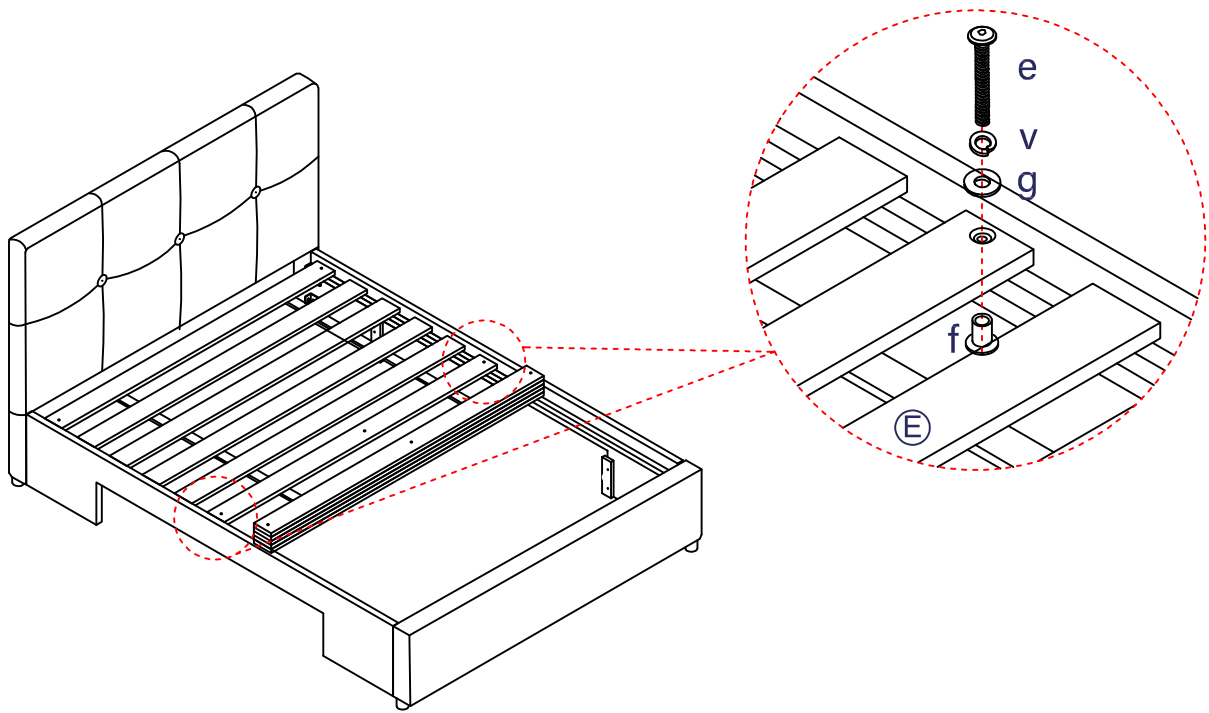
4a Fitting the wooden slat set (E).

e  x6 f  x6 g  x7 h  x1
 u  x1 v  x6

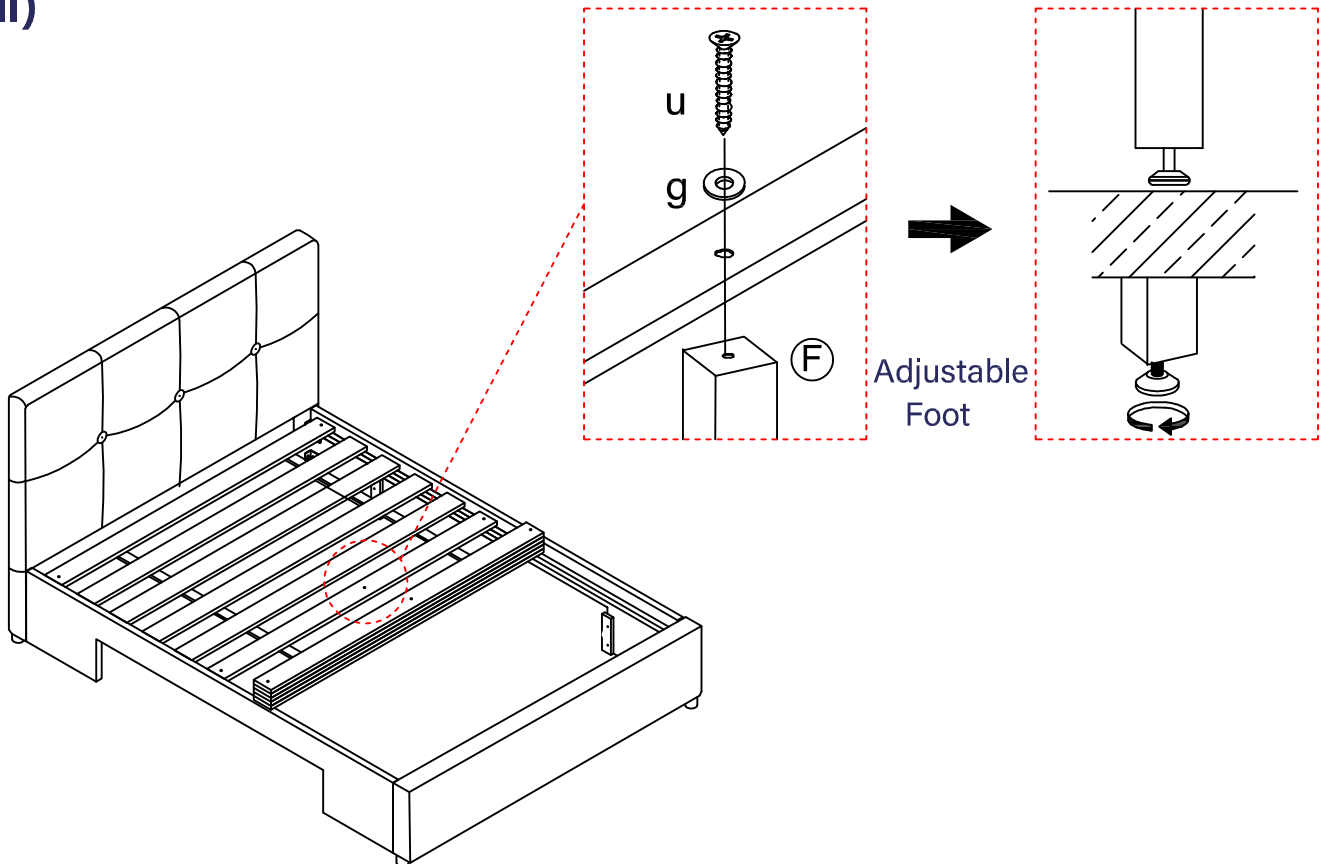
i)



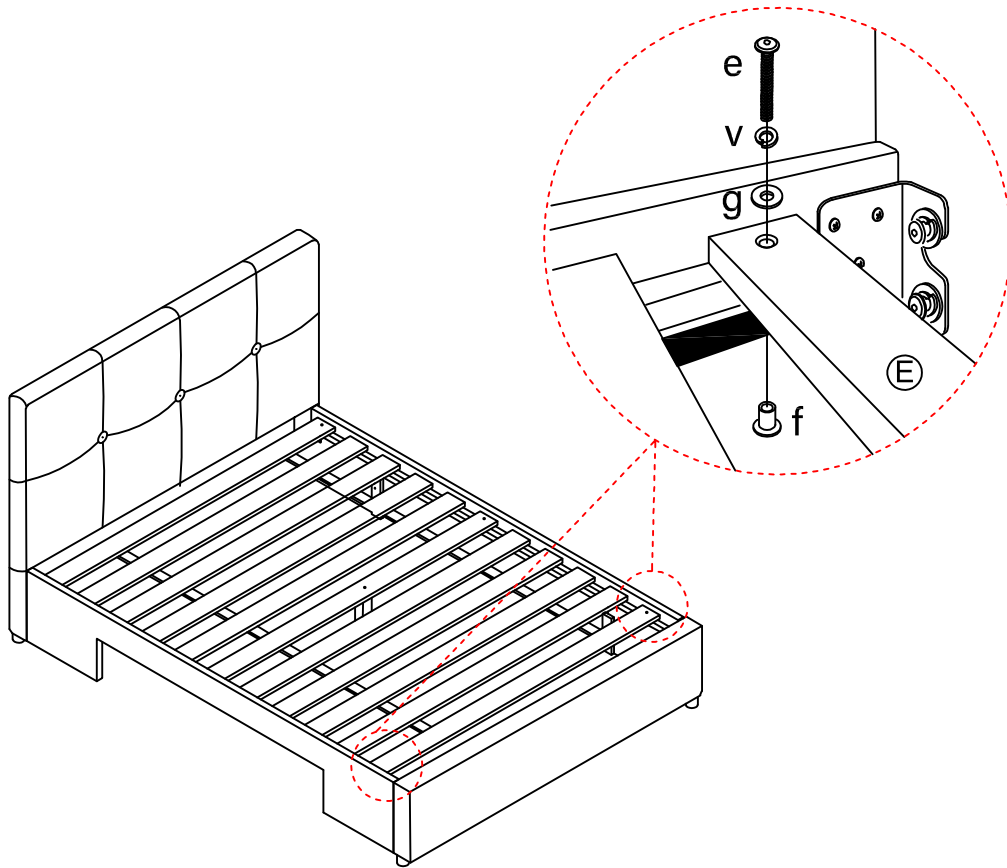
ii)



iii)



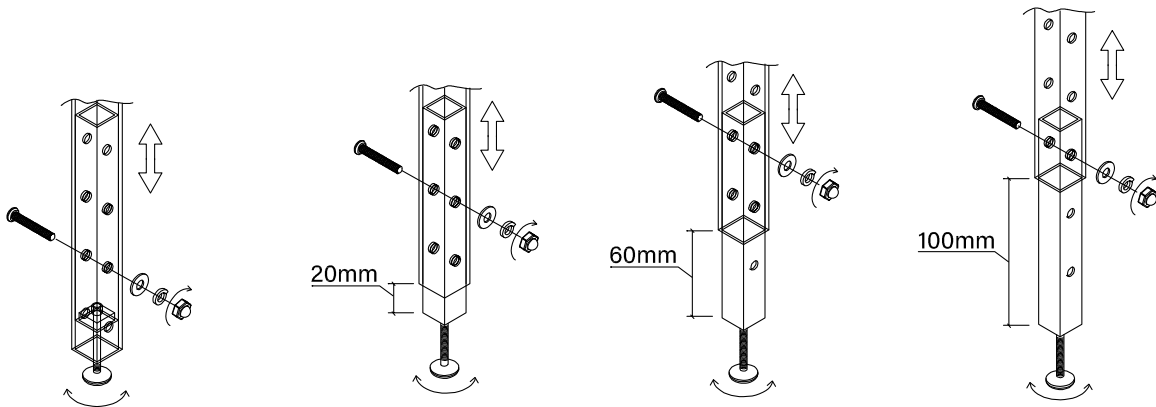
iv)



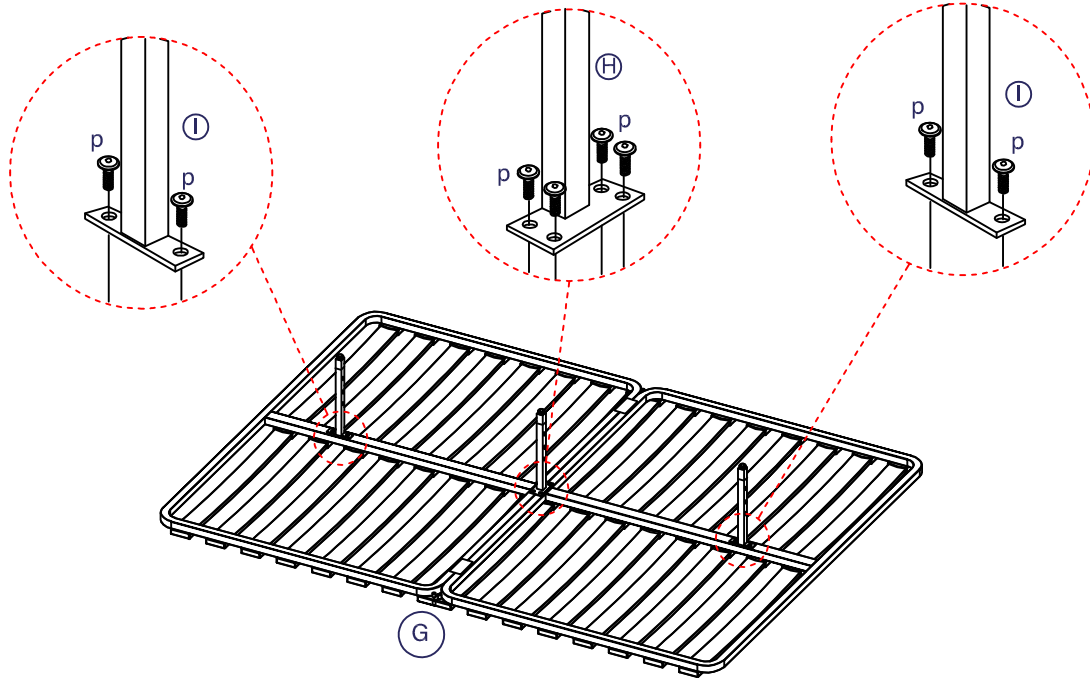
4b Fitting upgraded sprung slat frame.

i)

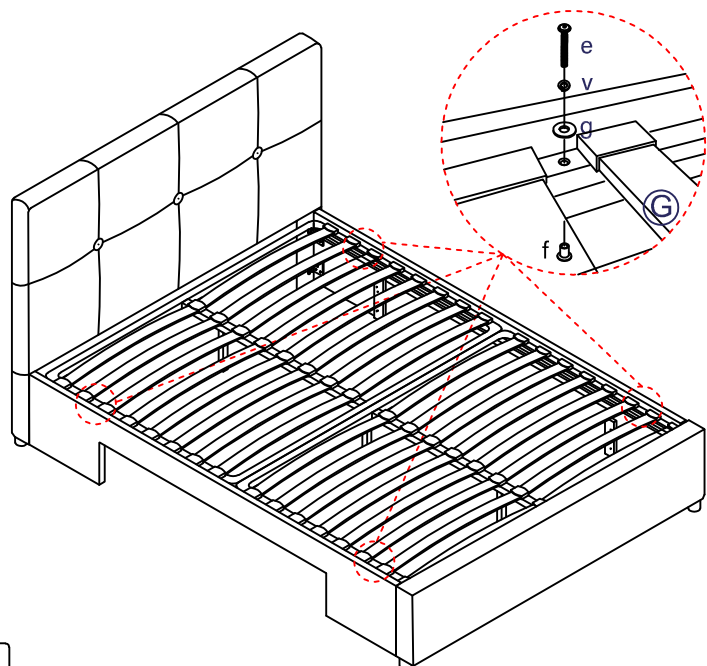
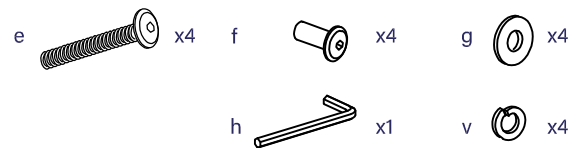
1. The support legs each have four adjustable parts that need to be set to suit the height of the bed slat frame. Please adjust the height of each leg by selecting the correct hole and inserting the bolts and nuts as shown.
2. You can fine tune the height of each leg by screwing the adjustable foot in or out so it just touches the floor.



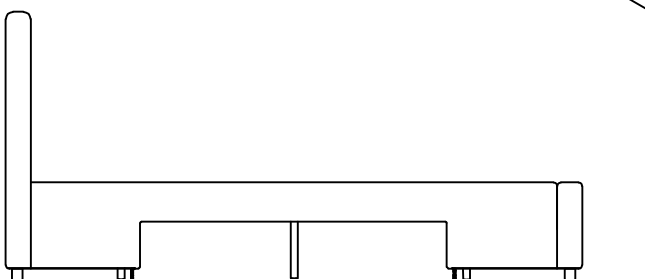
- ii)** Open the sprung slat frame and lay face down on the working surface. Fit the support legs (H & I) to the positions shown, securing with the bolts (p). Fully tighten using Allen key (h).



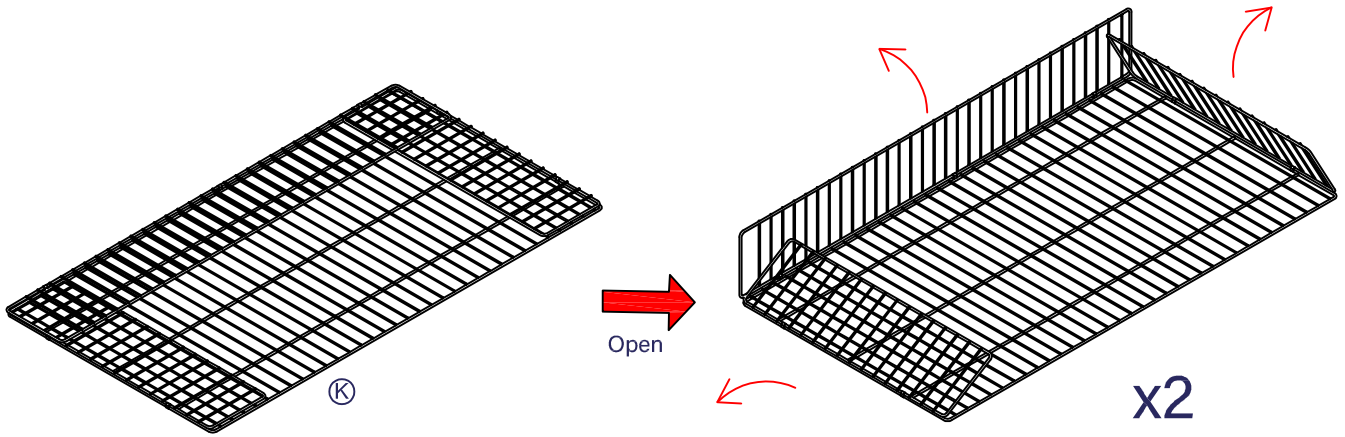
- iii)** Open the sprung slat frame (G) turning it over so slats are on top, then carefully lay the frame onto the metal slat supports on each side rail. Align the frame with the fixing holes at each end and secure using four sets of bolts (e), spring washers (v) flat washers (g) and sleeve-nuts (f). When all bolt sets are in place, tighten them using allen key (h).



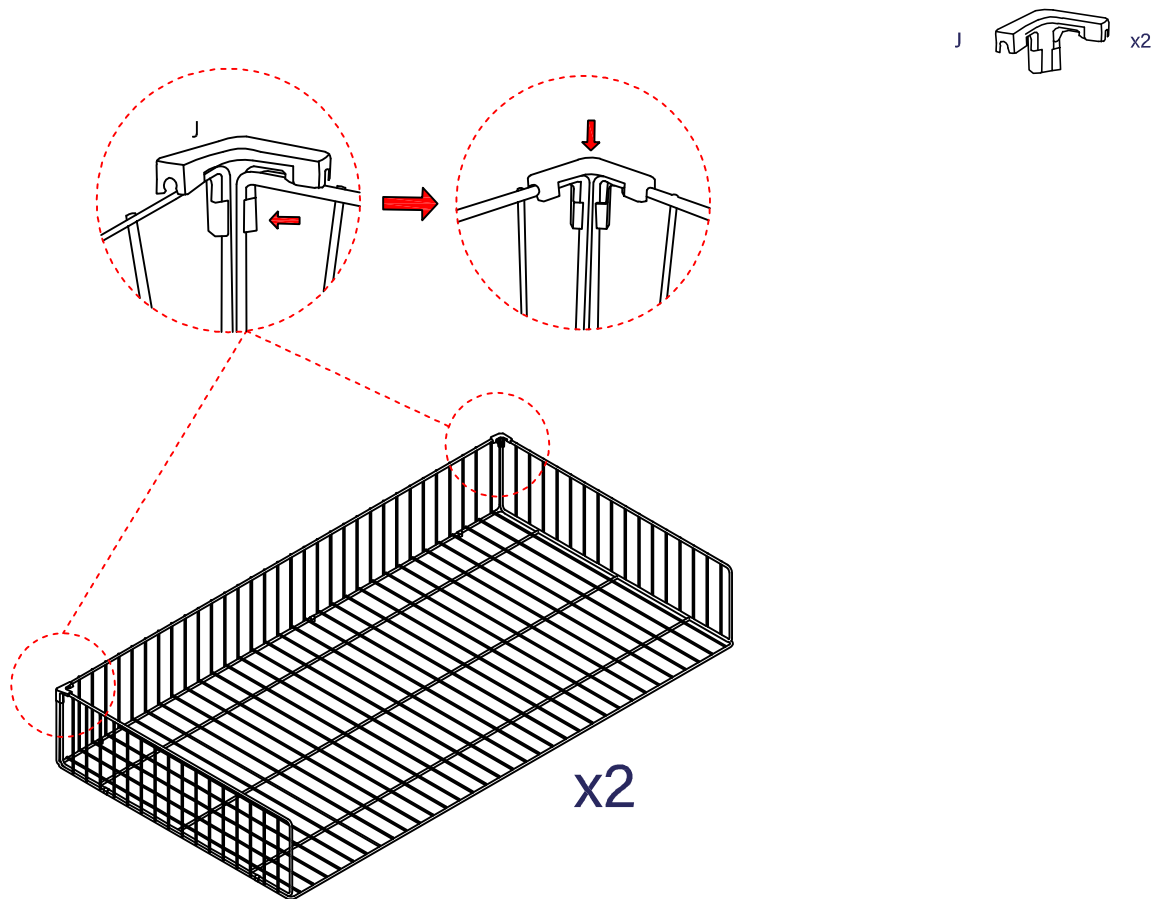
- iv)** Finally, please check carefully that all bolts are fully tightened before the bed is used.



5 Assemble the two drawers

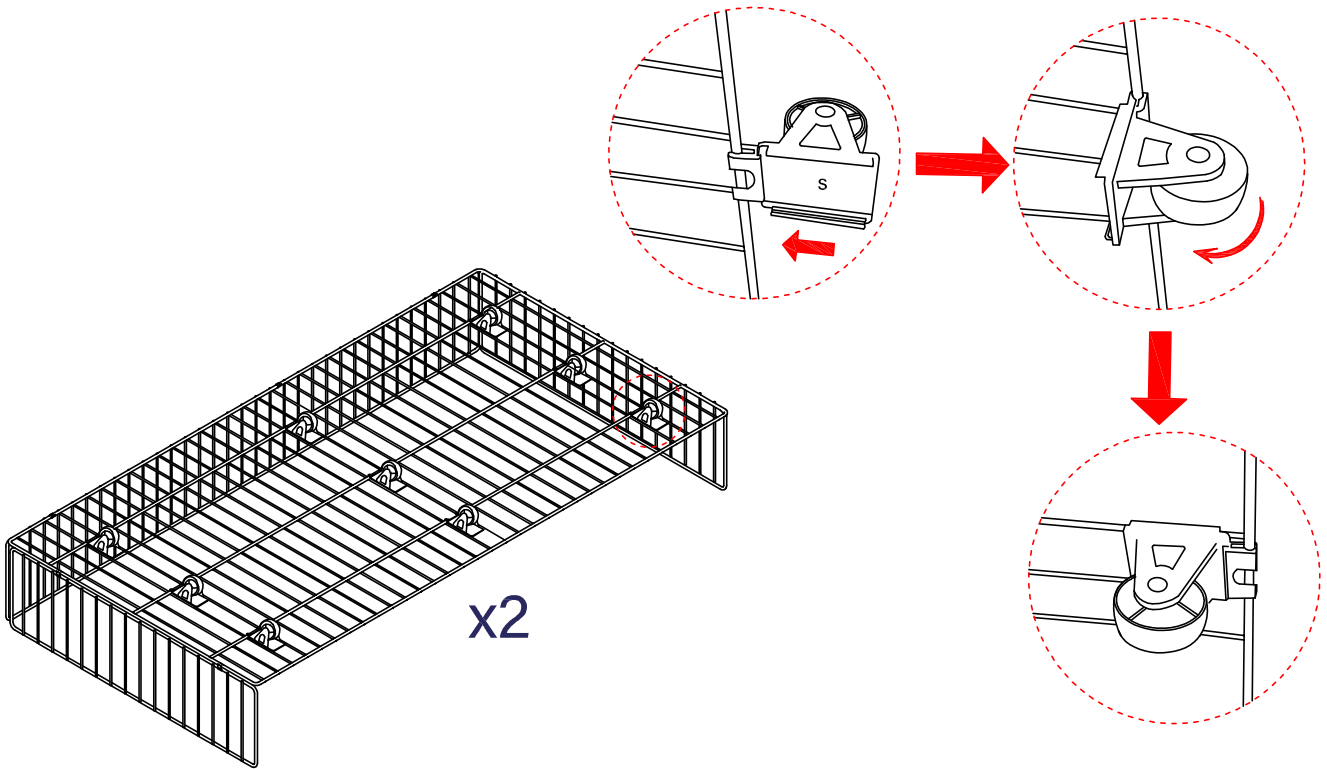


6

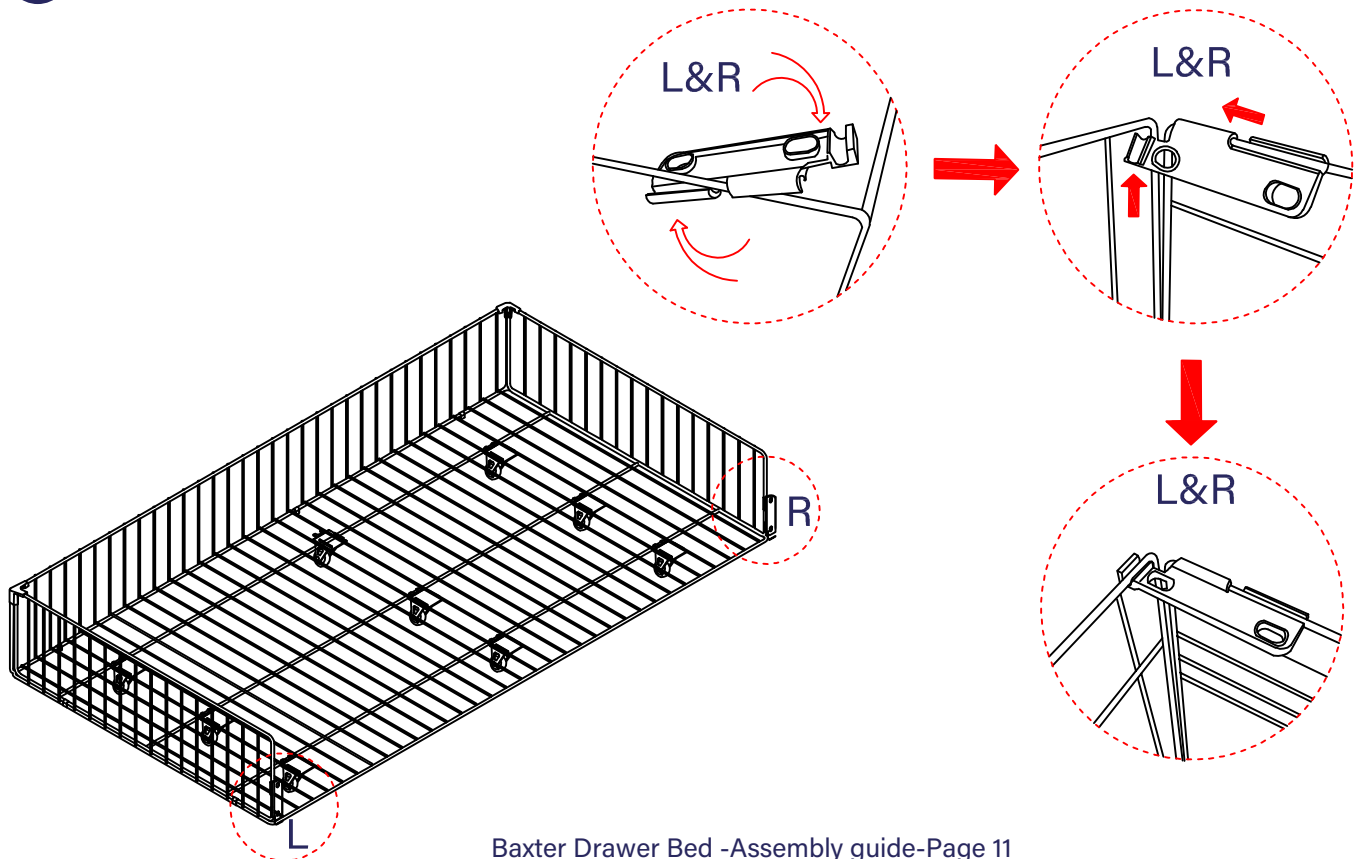
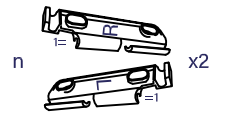




7

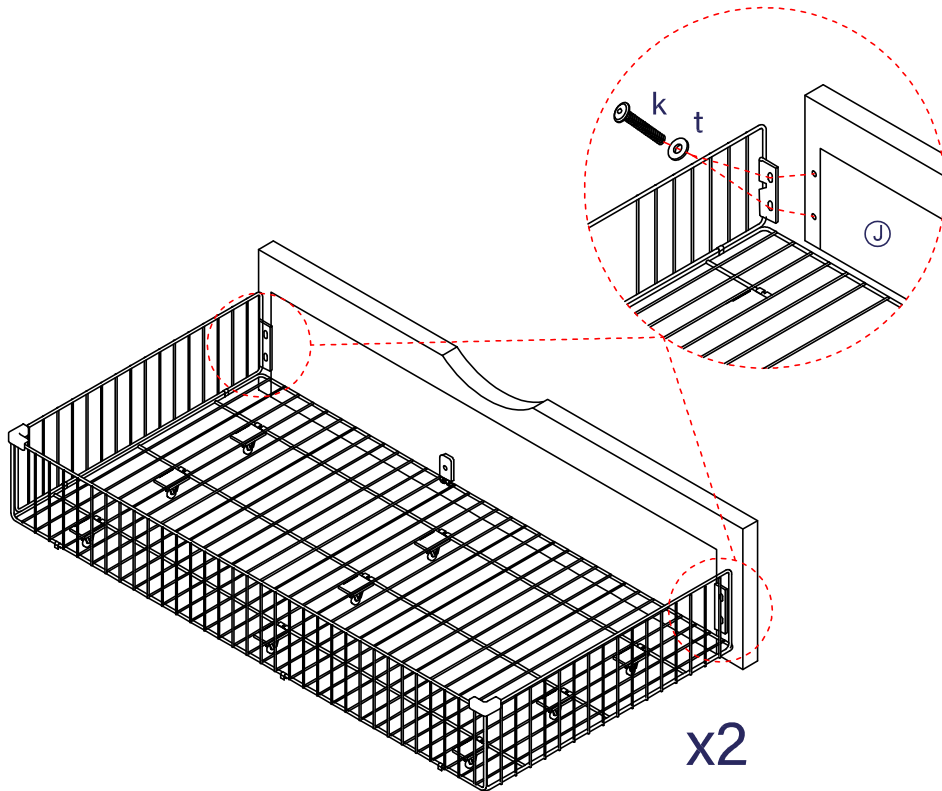


8






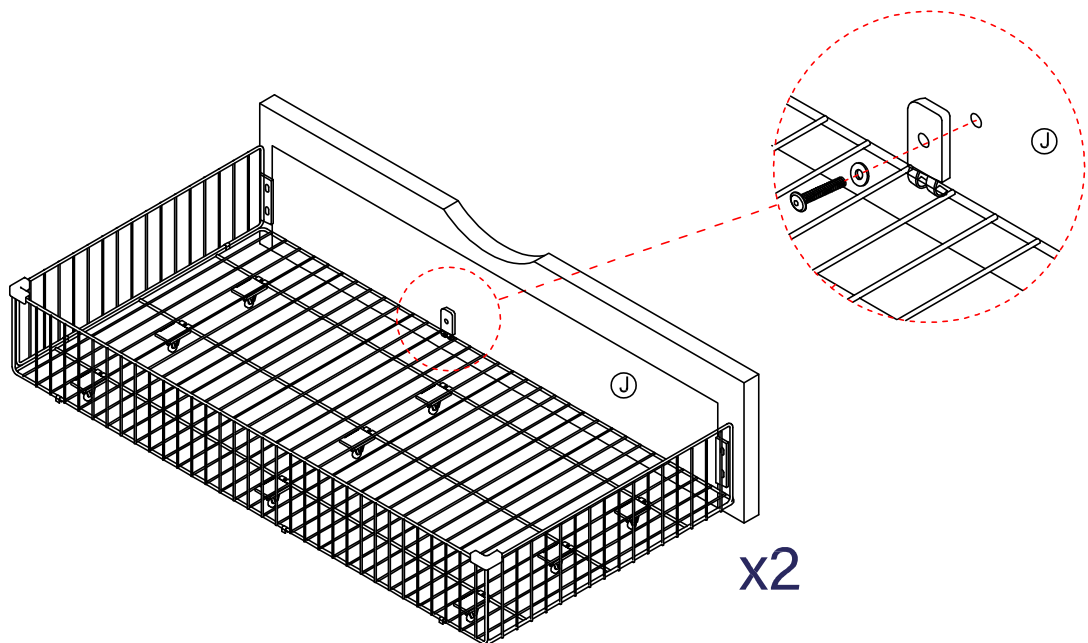
9

k  x4 t  x4

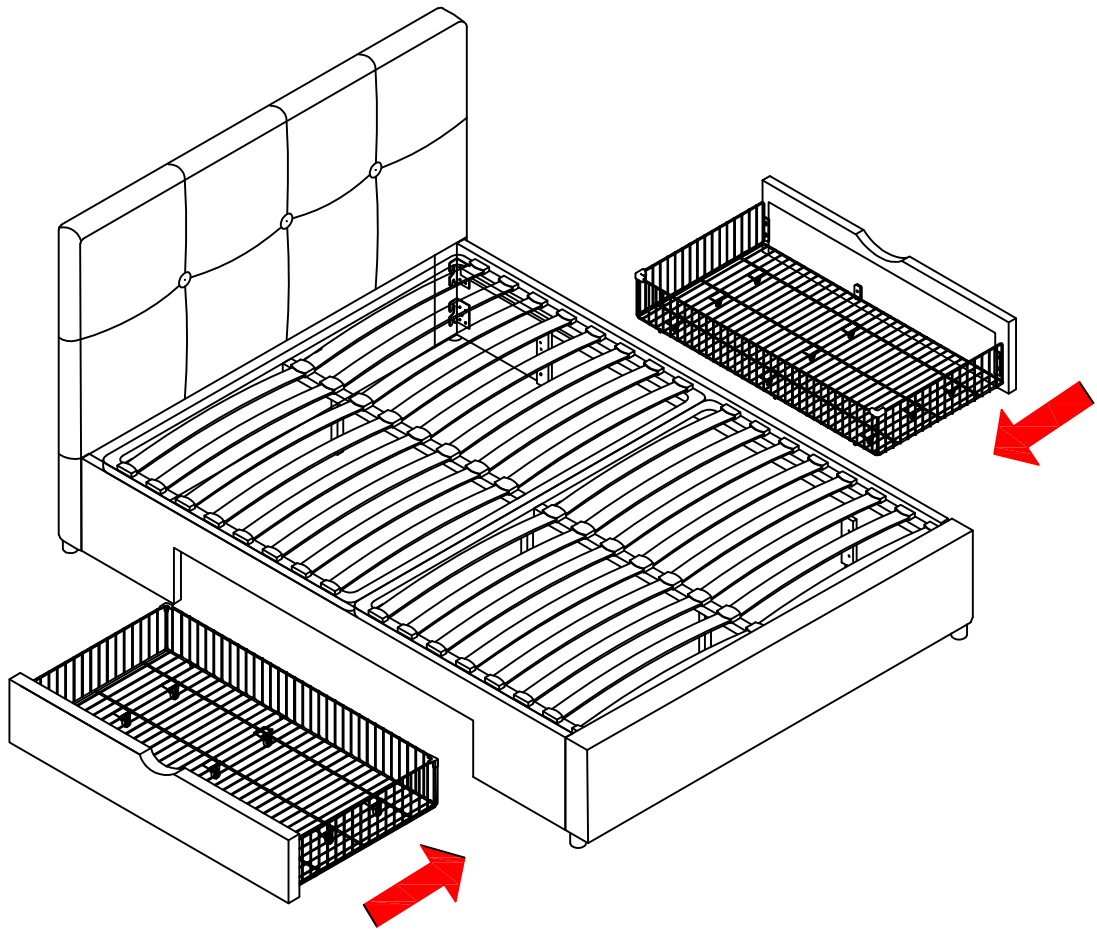


10

k  x1 t  x1 l  x1



11 Slide in the drawers



Care and maintenance

Here are some tips to keep your new bed in tip-top condition



Cleaning

To clean your new bed, we'd advise using a warm damp cloth or if fabric, remove dust using a low suction vacuum cleaner - please do not use abrasive chemicals or bleach as this may damage the product.



Checking and moving

Periodically we recommend you check that the screws or fixtures haven't become loose, over time. To move your new bed, we recommend lifting it where possible, as dragging or pushing it could cause damage to your flooring.



Wood

Please note each of our wooden pieces are unique, meaning that markings and shade can vary slightly between beds. Over a period of time, the wood might lighten or fade slightly due to light exposure.



Fabric

Please note depending on the lighting, positioning and surroundings of your room, the shade of the colour can sometimes appear slightly different. Over a period of time the colour might lighten or fade slightly due to light exposure.



Metal

Metal tends to be more resilient to everyday wear and tear. We recommend to gently dust your metal furniture and keep it dry to maintain its look.

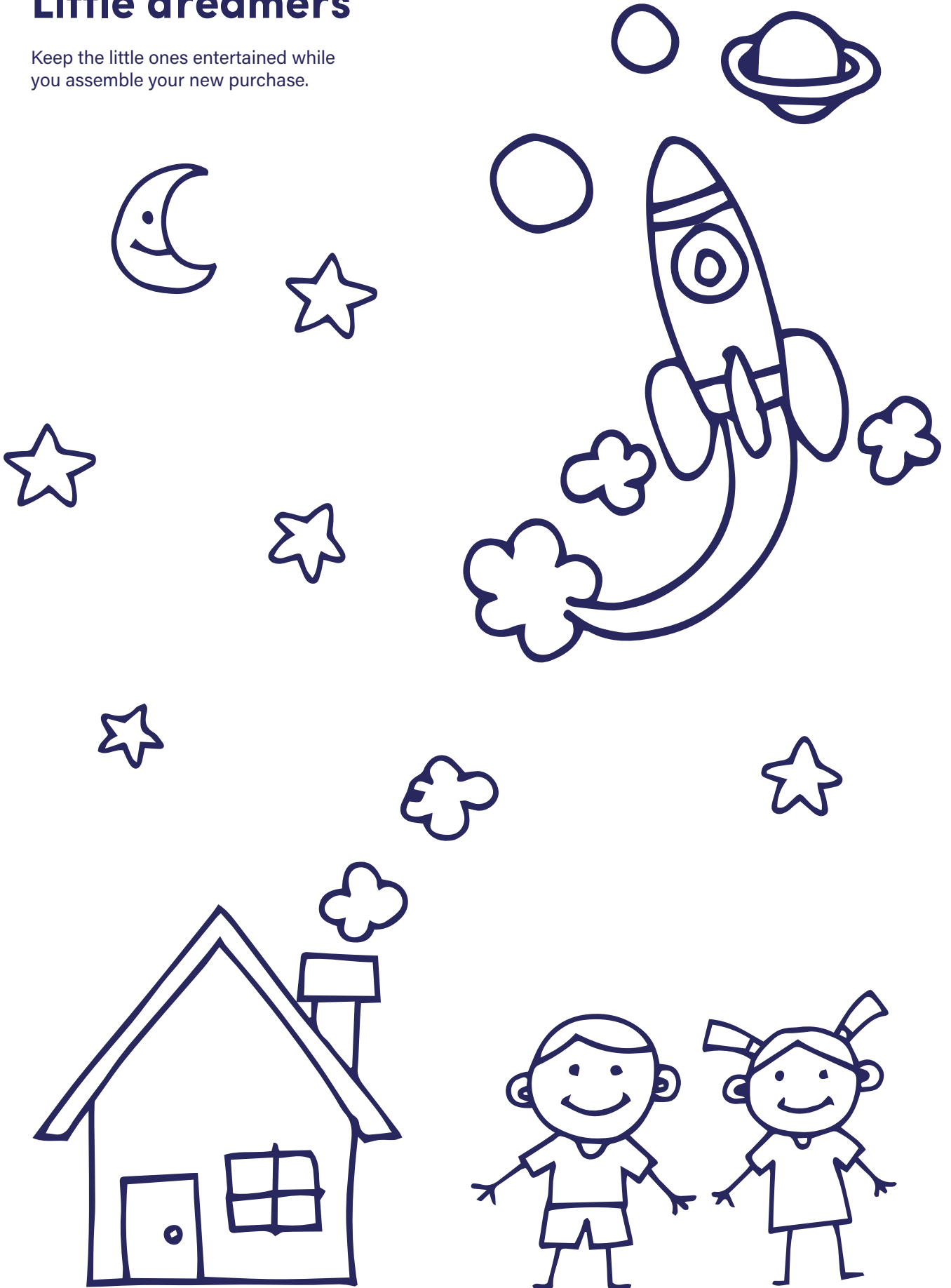
Thank you for shopping with us - we hope you have a great night's sleep

Sleep well



Little dreamers

Keep the little ones entertained while you assemble your new purchase.



Dreams

Love your bed