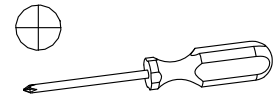
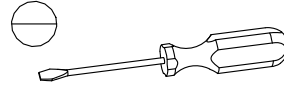
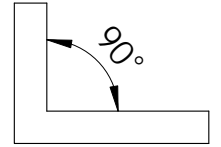
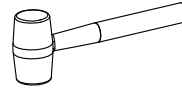
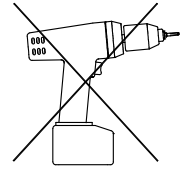


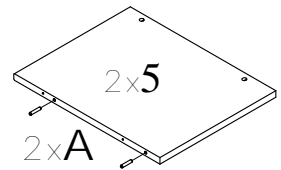
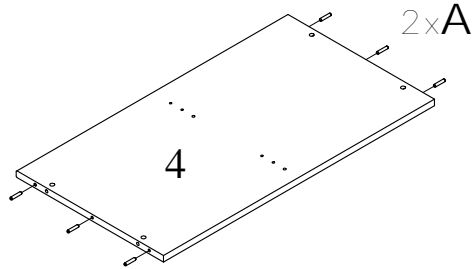
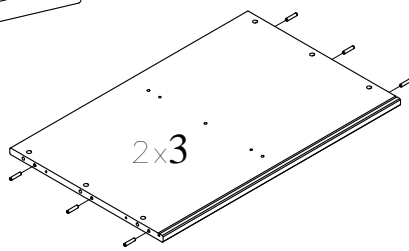
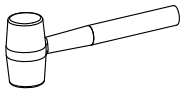
30 min



A		6x30	x22
B		6,5x27	x14
C		10x11	x14
D		4,2x45	x8
E		4x30	x4

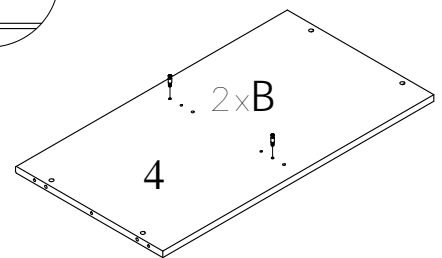
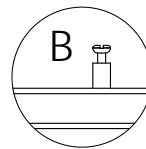
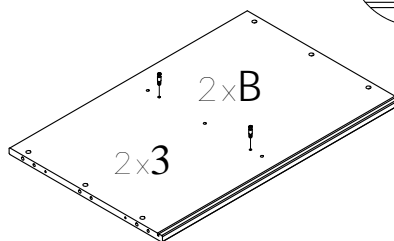
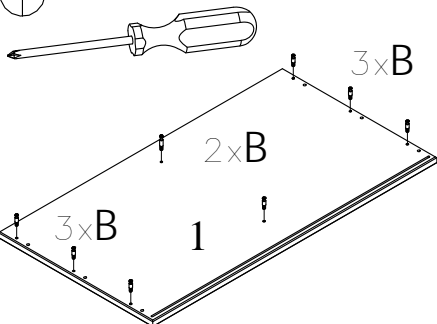
F		3x16	x3
G		3,5x20	x8
H		D40x20	x4
J		D10x15	x6

①



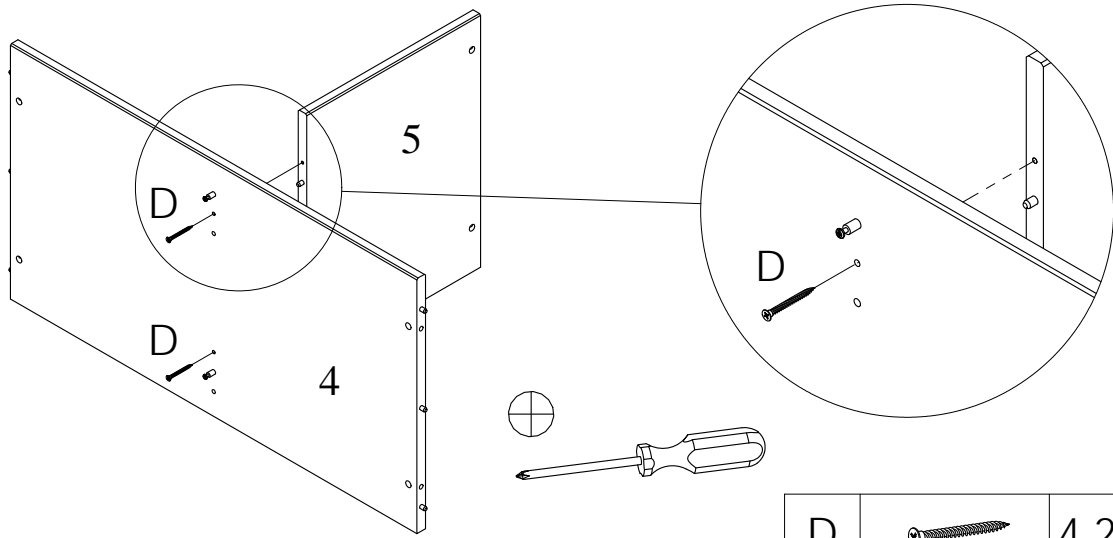
A		6x30	x22
---	--	------	-----

②



B		6,5x27	x14
---	--	--------	-----

3



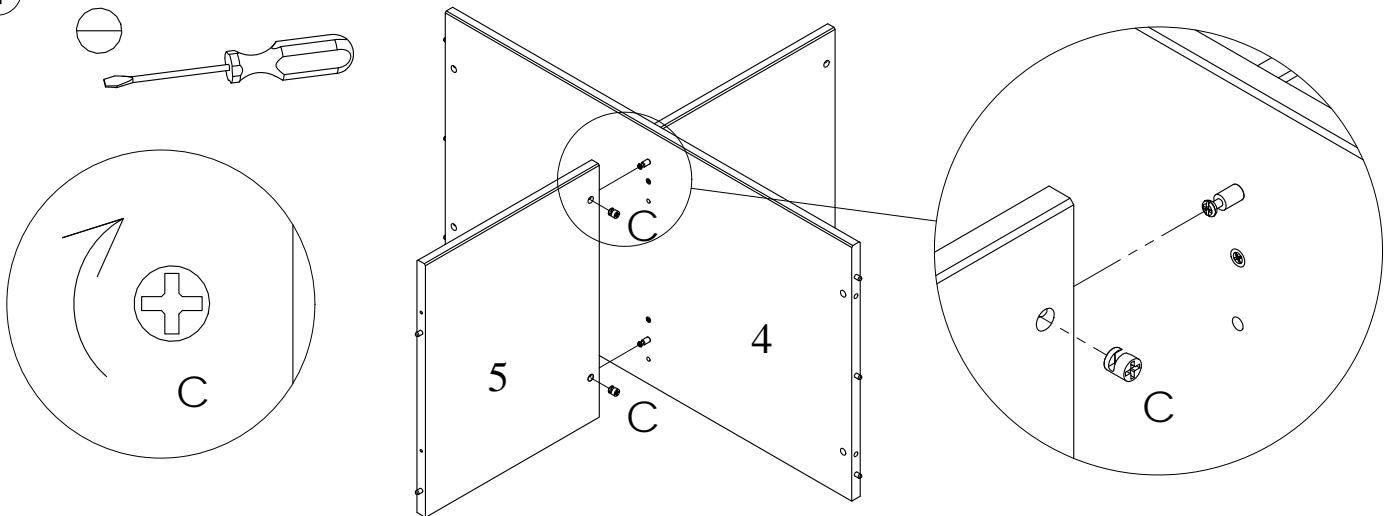
D



4,2x45

x2

4



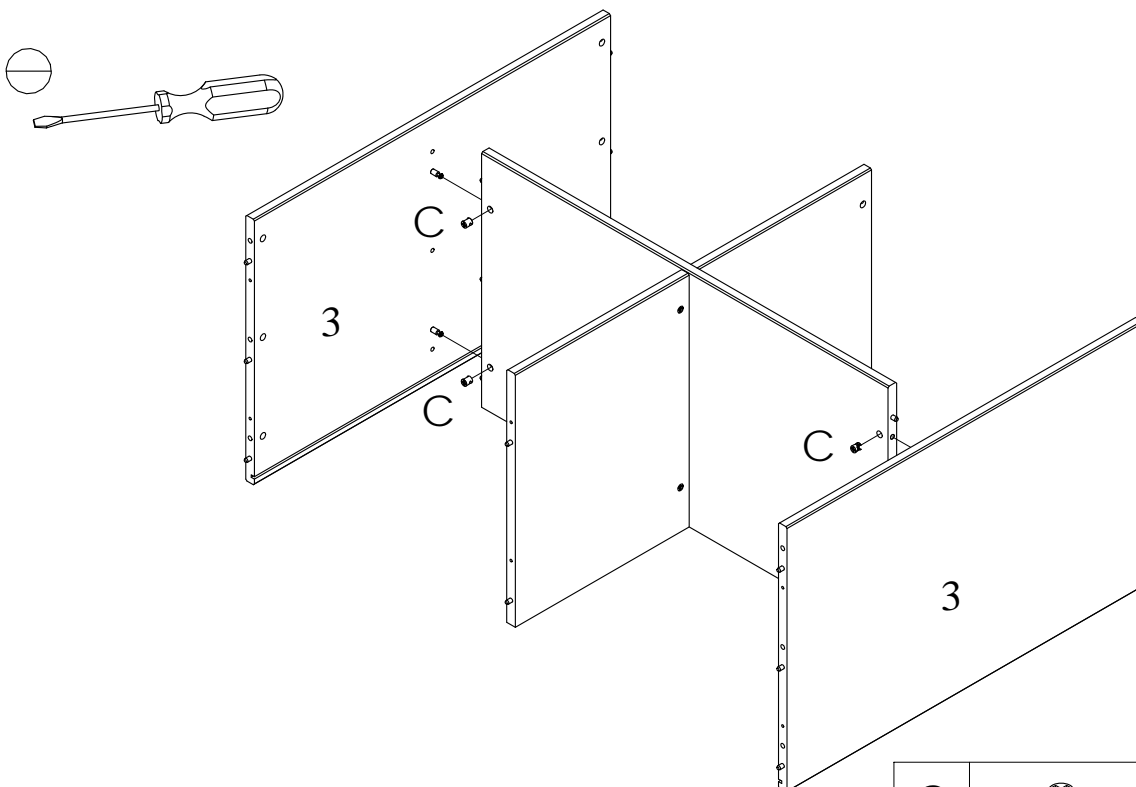
C



10x11

x2

5



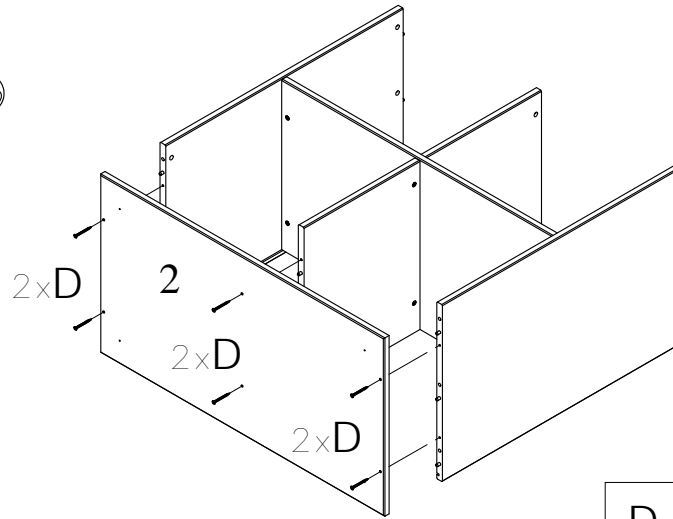
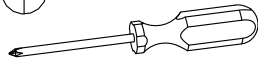
C



10x11

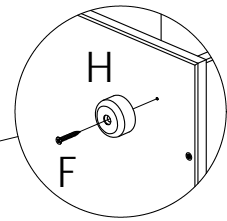
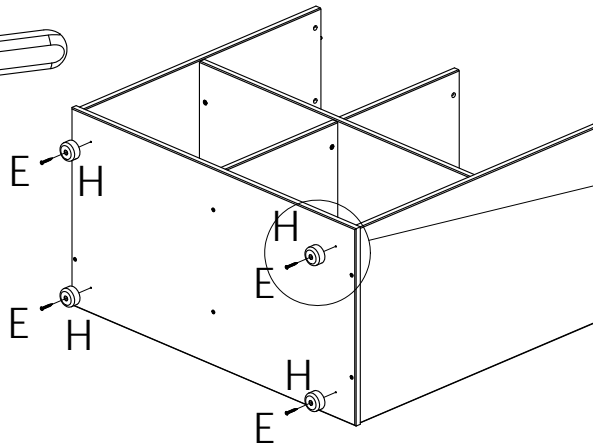
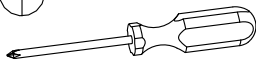
x4

6



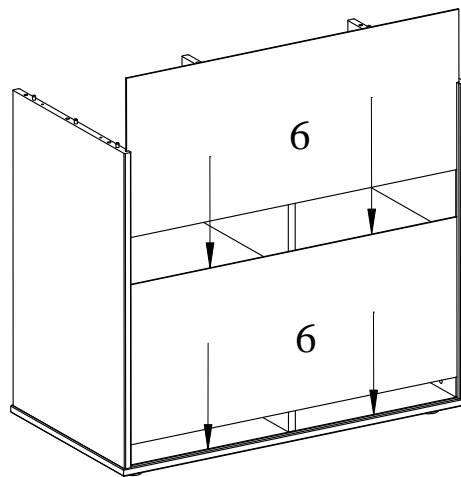
D		4,2x45	x6
---	--	--------	----

7

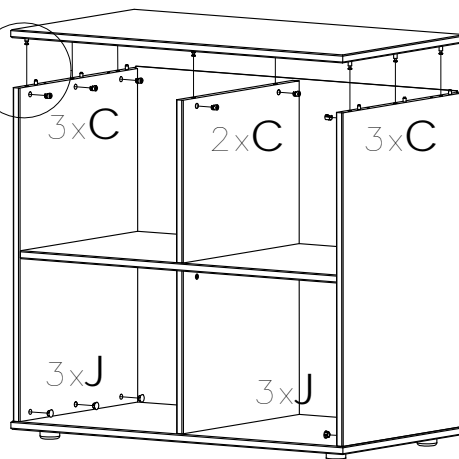
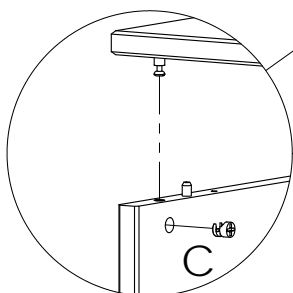
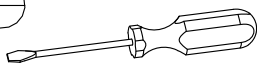


H		D40x20	x4
E		4x30	x4

8

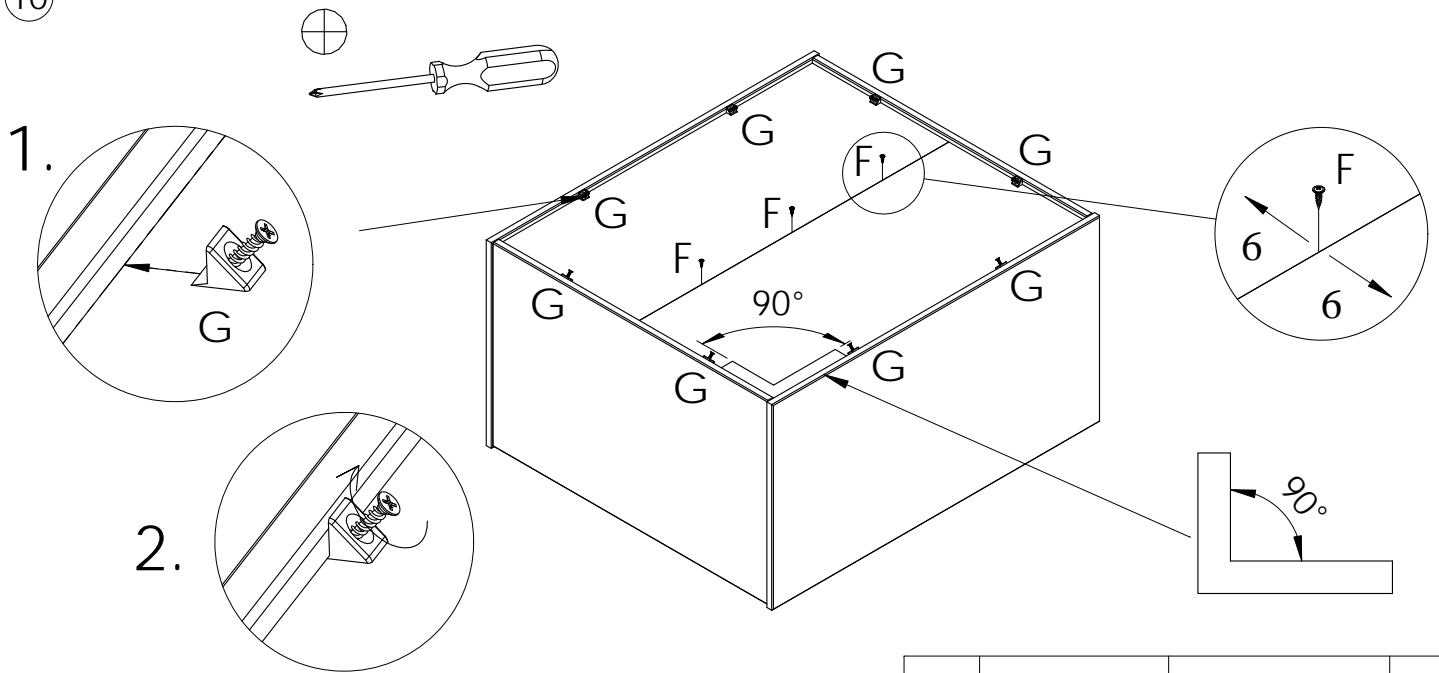




9



C		10x11	x8
J		D10x15	x6

10



F		3x16	x3
G		3,5x20	x8