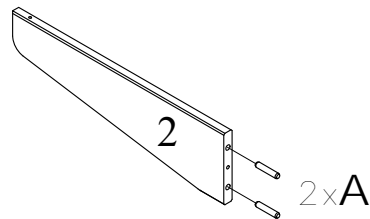
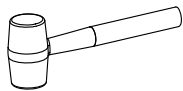


A		8x40	x2
B		6,3x70	x1
C		5x38	x4

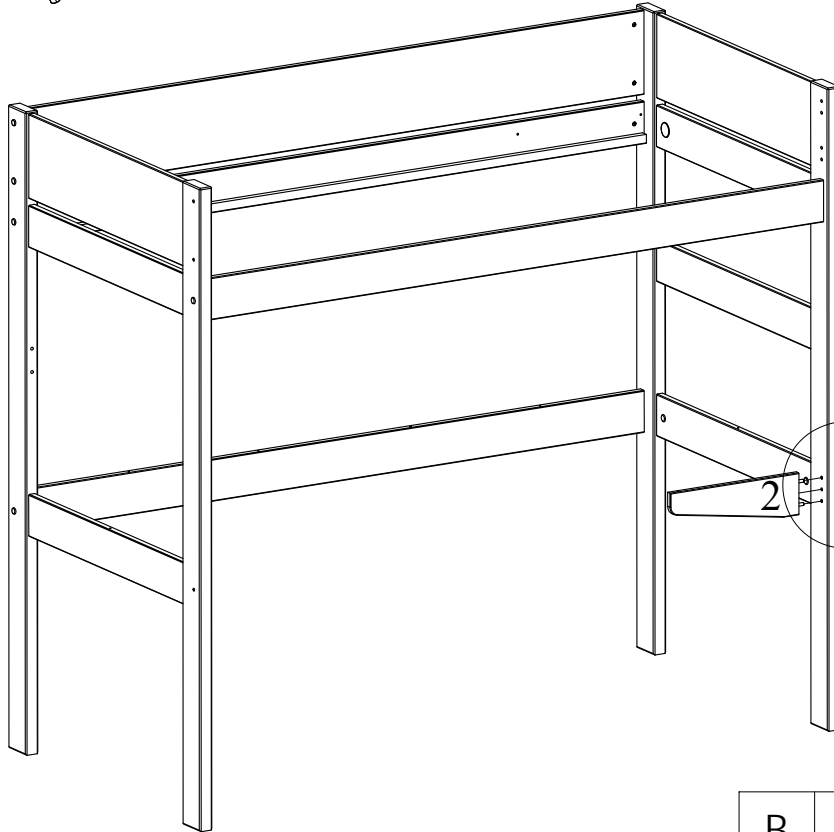
D		D2,3x12	x4
E		D15x18	x1
F		4mm	x1

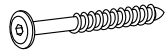

①



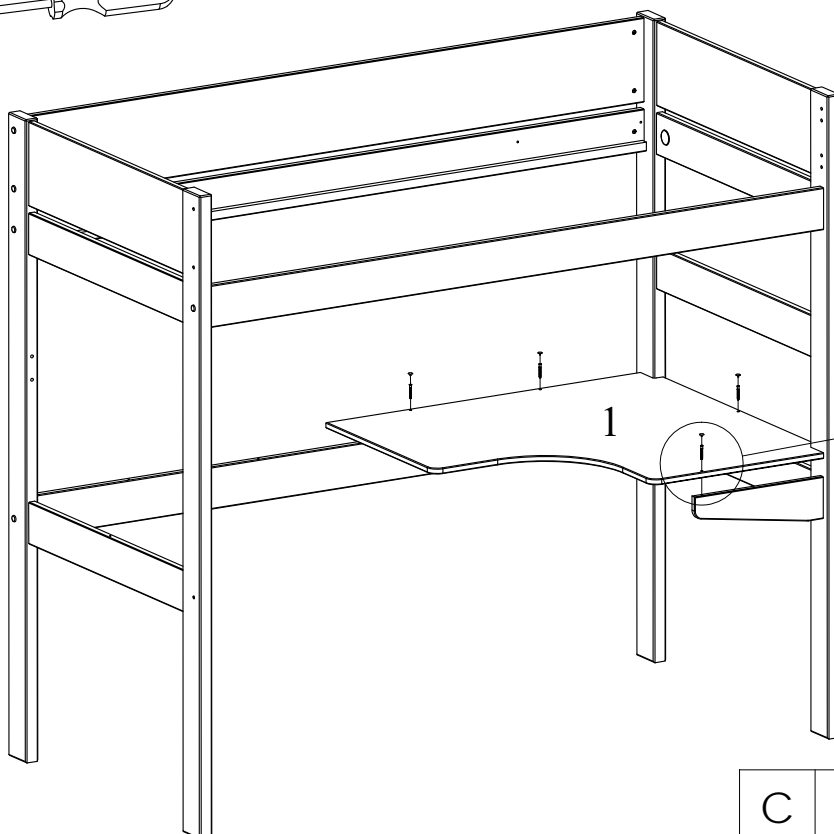
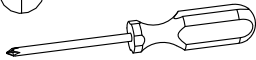
A		8x40	x2
---	--	------	----



2



B		6,3x70	x2
E		D15x18	x2

3



C		5x38	x4
D		D2,3x12	x4