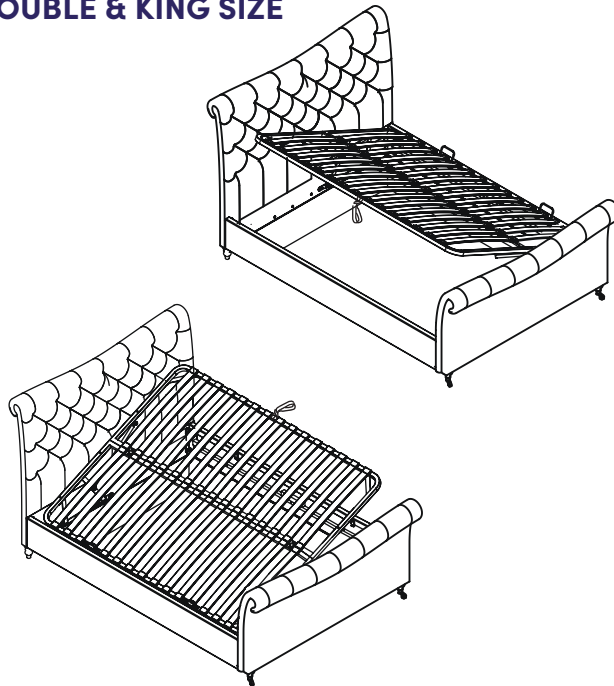


# Alana Ottoman Bed Frame

## OTTOMAN STORAGE BED

### DOUBLE & KING SIZE



### SUPER KING SIZE



1.5 hour approx  
assembly time



Two person  
assembly

**Dreams**

MK1 22112

# Thank You

Dear Customer, Thank you for choosing to purchase your bed from Dreams - we hope it brings you your best ever night's sleep. Before you begin building your bed, please take a moment to read through the instructions and make sure that you've got all the relevant parts listed on the following pages.



## Assembly tips

Before you begin, it's best to identify all parts and fittings to build your bed. We advise laying these out on the floor to check you have everything, and familiarising yourself before building.



## Top tip

We recommend that you build your new bed in the room you'd like it to be located - this will help prevent any risk of damage to your newly built bed whilst moving it.



## Safety and care

It's really important to ensure children and animals are kept away from the assembly area, as there are small components used in this bed which could present a choking hazard. All plastic and wrapping materials should also be kept away from children and animals to prevent any risk of suffocation. To keep your little ones busy, there is a colouring page inside the back cover.



## Help and support

At Dreams, it's our mission to give the whole nation a great night's sleep - this means that the quality of our products is of utmost importance to us. If there are any issues with your product or any missing parts, please contact our Help Centre on 0800 652 6750, where a member of our team will be happy to help. (For customers based in Northern Ireland, please call 028 9050 8300)



## Recycling

Please ensure that packaging is disposed of in a safe and environmentally friendly way, and recycle where possible. Our assembly instructions are printed on recycled paper. Please keep your assembly instructions safe to refer back to in the future.

## Important information

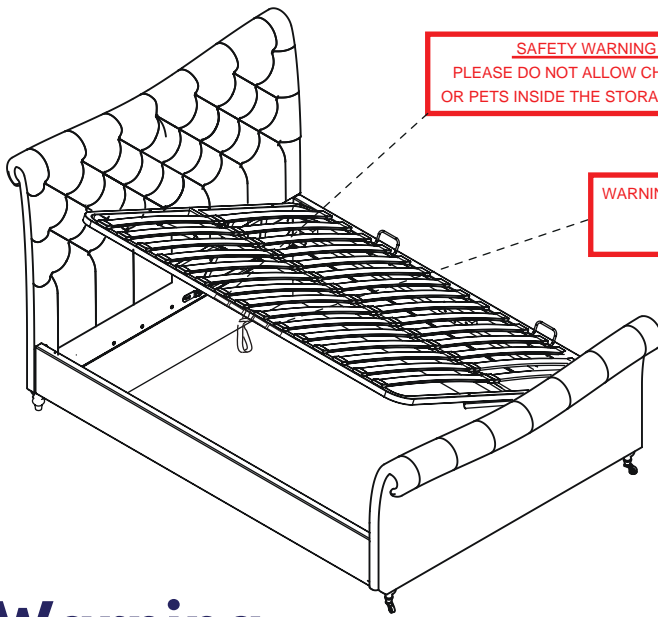
The bed you purchased comes with three different base options; this first section (A) is for the ottoman storage base. For solid wood base or sprung slat frame upgrade base please see page 14 onwards.

Please identify which base you have purchased and follow the appropriate section (A, B or C) as required because the assembly method will change.

Before you begin building your new bed please take a moment to read through the instructions and make sure that you've got all the relevant parts listed on the following pages.

# ASSEMBLING THE OTTOMAN STORAGE BED

PLEASE CAREFULLY FOLLOW THE INSTRUCTIONS IN THE FOLLOWING ORDER



**SAFETY WARNING**  
PLEASE DO NOT ALLOW CHILDREN  
OR PETS INSIDE THE STORAGE AREA.

**SAFETY WARNING**  
PLEASE BE CAREFUL WHEN LIFTING.  
ONLY LIFT WITH MATTRESS ON TOP.  
TO BE OPERATED BY ADULTS ONLY.

**WARNING: ONLY USE THE HANDLE TO LIFT &  
LOWER THE BED FRAME TO  
AVOID TRAPPING FINGERS!**

**TO AVOID ACCIDENTS**  
TO ACCESS THE STORAGE AREA THE OTTOMAN FRAME  
MUST BE FULLY OPENED AND THEN FULLY CLOSED AFTERWARDS

## Warning

- You must ensure that the mattress is on the bed frame before operating the lift mechanism, failure to do so could result in injury.
- Keep hands clear of the mechanism when opening or closing the ottoman.
- Beware of entrapment – Never reach in through the mechanism to access the storage area.
- Always ensure that the ottoman is FULLY opened before accessing the storage area.
- Do not exceed the maximum weight as specified in the table below:

Bed	Bed Size	Min Weight (kg)	Max Weight (kg)
Alana	Double	20	50
	King	20	50
	Super King	20	50



Don't lift without mattress



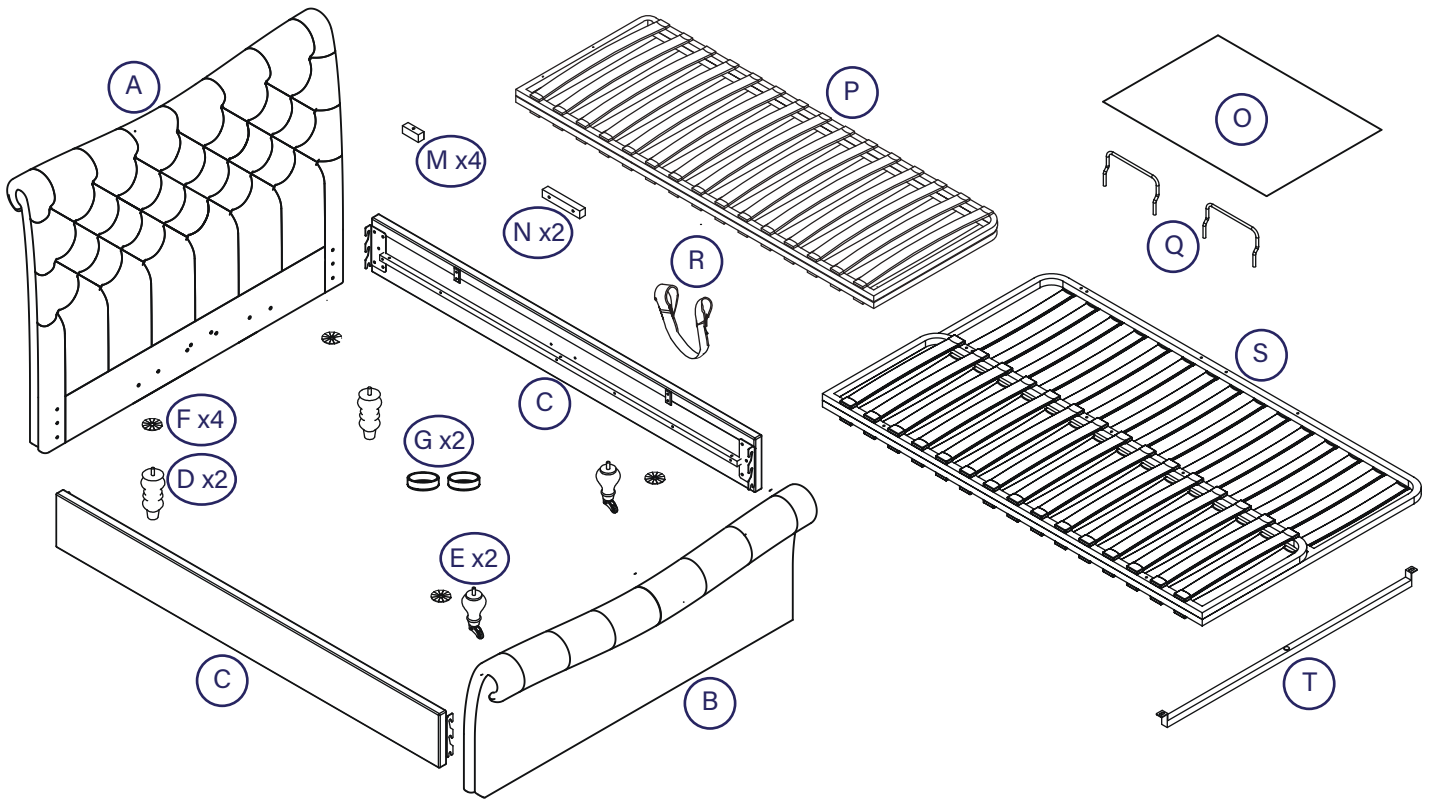
Ensure mattress is on before lifting

- Use caution when operating, always use the handle when lifting.
- Note: This bed uses a pressurised mechanism.
- To be operated by adults only
- Please ensure that children and pets are kept away from the bed when operating the lift mechanism.
- Keep children and pets away from the storage area.
- Do not overload the internal storage base.
- Do not stand inside the internal storage area of the bed.
- Before removing the mattress secure the frame to ensure it does not open unexpectedly.
- Do not attempt to lie on the mattress when the ottoman is in the raised position.

# Parts

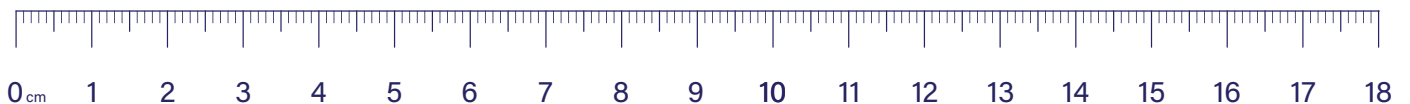
## Important information

Before you begin building your new bed please take a moment to read through the instructions and make sure that you've got all the relevant parts listed on the following pages.



## Parts list

A.	Headboard	1	N.	Slat frame wooden support rail	2
B.	Footboard	1	O.	Fabric base cover	1
C.	Side rails	2	P.	Metal Slat Frame	1
D.	Plain legs for headboard	2	Q.	Mattress Stoppers	2
E.	Castor legs for footboard	2	R.	Fabric Hand Strap	1
F.	Locking washers	4	Only for Super King size		
G.	Floor protector cups	2	S.	Triple metal slat frame	1
M.	Cushion Blocks	4	T.	Cross bar	1

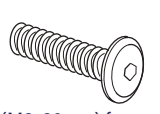


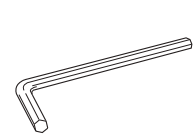


# Fittings

Please check you have all the parts listed below with your product:

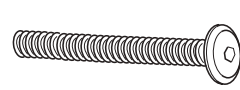
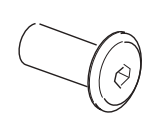

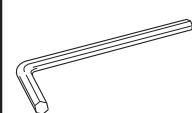


## Hardware needed for fitting side rails to headboard & footboard

### Packed in side rail Pack 3 - hardware pack (A)

<p>a x12</p>  <p>Bolts (M8x30mm) for fitting side rails (C) to headboard &amp; footboard (A&amp;B)</p>	<p>b x12</p>  <p>Spring washer for M8 bolts</p>	<p>c x12</p>  <p>Flat washer for M8 bolts</p>	<p>d x1</p>  <p>Allen key for M8 bolt</p>
---	--	--	--

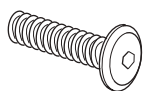

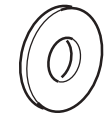
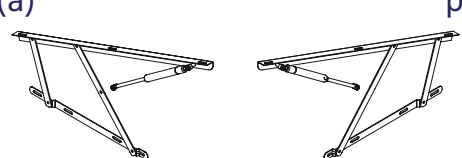
## Hardware needed for fitting cushion blocks (M) to metal slat support rails

### Packed in side rail Pack 3 - hardware pack (B) (please note x2 of e, f & k -- x3 of g & screw j will be left spare)

<p>e x6</p>  <p>Bolts (M6x40mm) for fitting cushion blocks (M) to metal supports on side rails (C).</p>	<p>f x6</p>  <p>Sleeve nut for M6 bolts</p>	<p>g x7</p>  <p>Flat washer for M6 bolts</p>	<p>h x1</p>  <p>Allen key for M6 bolt</p>	<p>j x1</p>  <p>Screw (5x40mm)</p>	<p>k x6</p>  <p>Spring washer for M6 bolts</p>
--	--	---	---	---	---





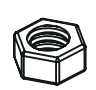


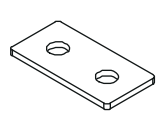
## Hardware needed for fitting gas-lift mechanisms to headboard & footboard

### Packed in ottoman Pack 4 - hardware pack (C)

<p>a x8</p>  <p>Bolts (M8x30mm) for fitting gas-lift mechanisms p(a) &amp; p(b) to headboard and footboard (A&amp;B)</p>	<p>b x8</p>  <p>Spring washer for M8 bolts</p>	<p>c x8</p>  <p>Flat washer for M8 bolts</p>	<p>p(a) p(b)</p>  <p>Gas-lift mechanisms</p>	
---	---	---	---	--

## Hardware needed for fitting the metal ottoman slat frame

### Packed in ottoman Pack 4 - hardware Pack (D)

<p>b Double &amp; King x10 Super King x12</p>  <p>Spring washer for M8 bolts</p>	<p>c Double &amp; King x20 Super King x22</p>  <p>Flat washer for M8 bolts</p>	<p>l x10</p>  <p>Bolts (M8x45mm) for fitting metal slat frame (P or S) to gas-lift mechanisms (p) fitting support rails (N) to side rails (C)</p>	<p>m Double &amp; King x4 Super King x6</p>  <p>Bolts (M8x20mm) for fitting metal connection plates (s) to slat frame (P or S)</p>	<p>n x6</p>  <p>Nut for M8 slat frame bolts</p>
<p>q x2</p>  <p>Flanged lock-nuts (M8) for gas-lift pistons</p>	<p>r x1</p>  <p>Spanner for M8 nuts</p>	<p>s x2</p>  <p>Metal connection plates for slat frame</p>		

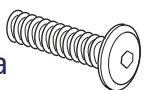


# Tools required

Please check you have these tools below

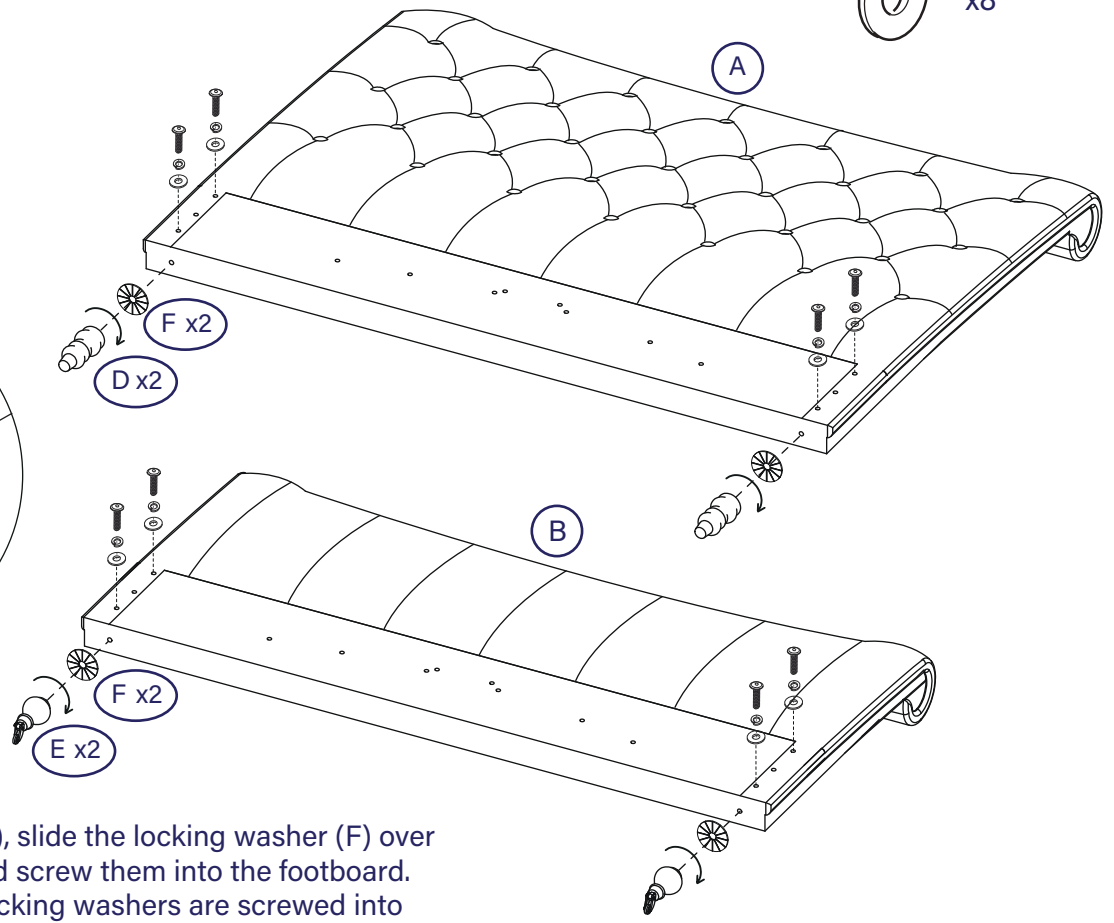
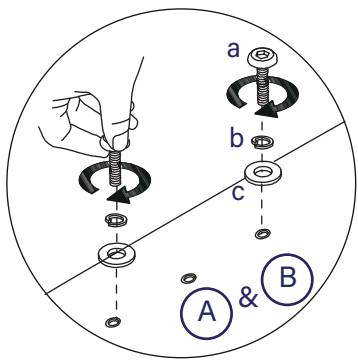


Tape  
measure

# 1 Prepare the headboard and footboard.


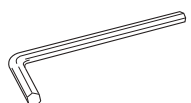
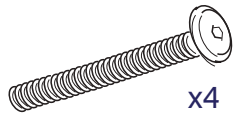


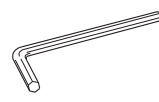
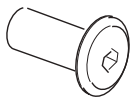
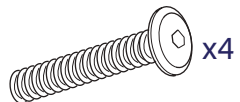
- a  x8
- b  x8
- c  x8

i) Insert the screw sets (a, b & c) as shown.

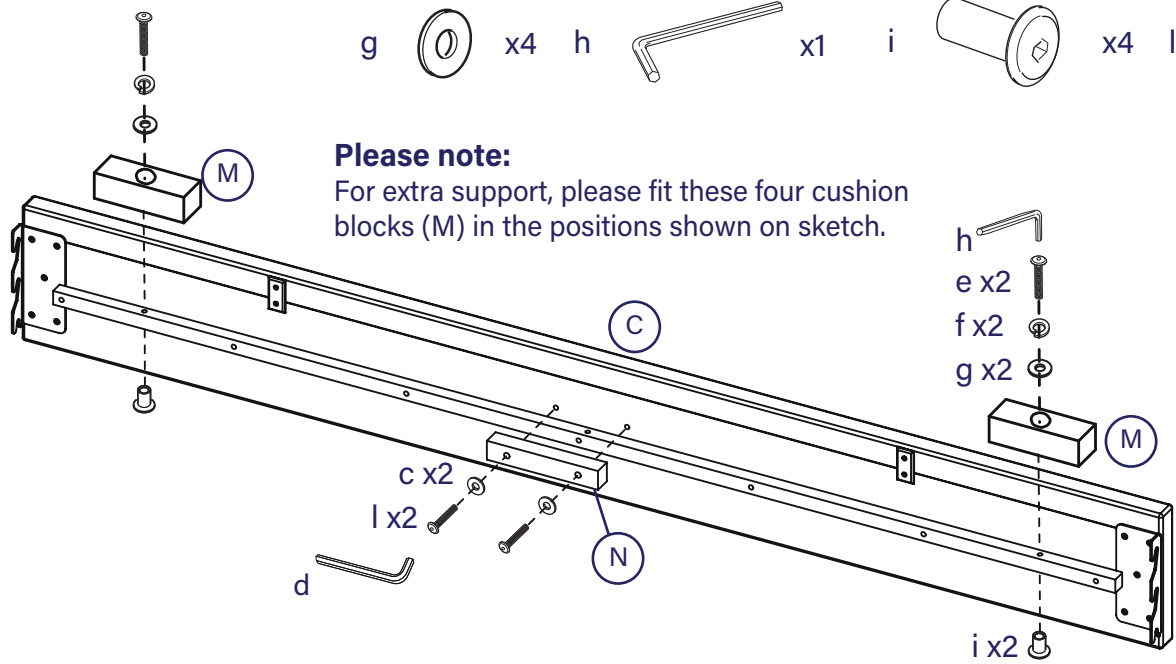


ii) On the castor legs (E), slide the locking washer (F) over the threaded stud and screw them into the footboard. The plain legs with locking washers are screwed into the headboard.

# 2 Assemble both ottoman side rails.

- c  x4
- d  x1
- e  x4
- f  x4
- g  x4
- h  x1
- i  x4
- l  x4

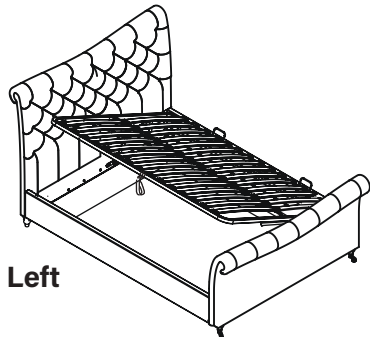
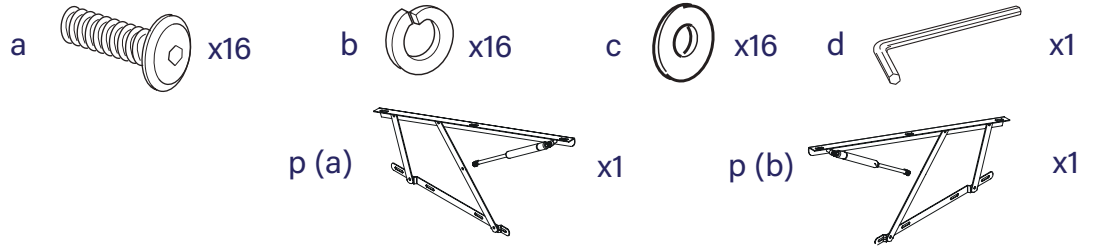
**Please note:**  
For extra support, please fit these four cushion blocks (M) in the positions shown on sketch.



### 3a Fitting the gas-lift mechanisms

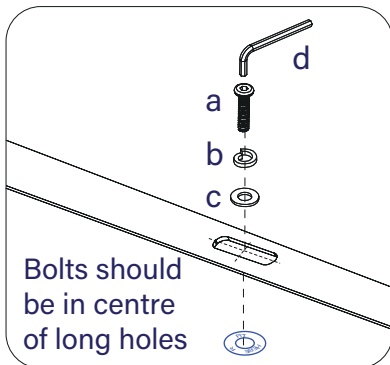
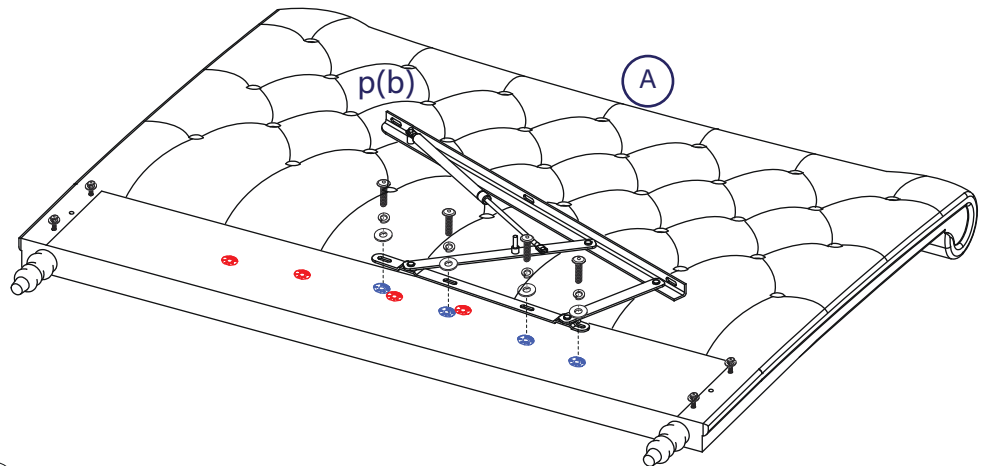
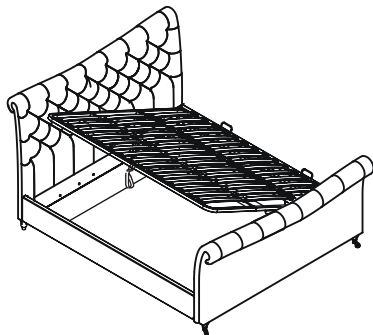
Choose from which side to lift up the ottoman frame.

Follow these instructions if you want to lift the frame up from the **LEFT** side of the bed.

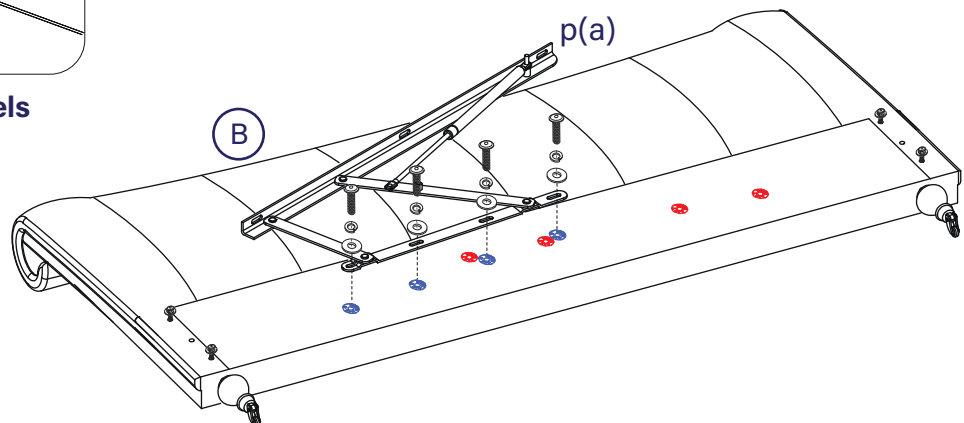


Check this diagram and if access is needed from the left side of the bed, fit both lift mechanisms to right side of the headboard & footboard. Bolt into the holes marked (R) with blue labels.

The mechanisms are labeled p(a) & p(b). Please carefully follow the diagram below.

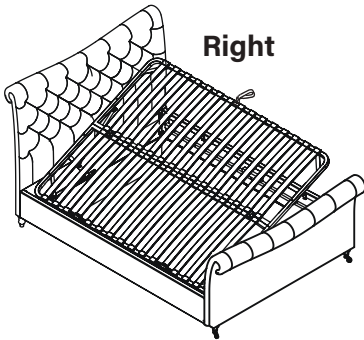


**Align with Blue labels**

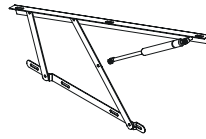


**3b** Follow these instructions if you want to lift the frame up from the **RIGHT** side of the bed.

- a  x16    b  x16    c  x16    d  x1

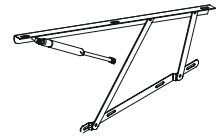


p (a)



x1

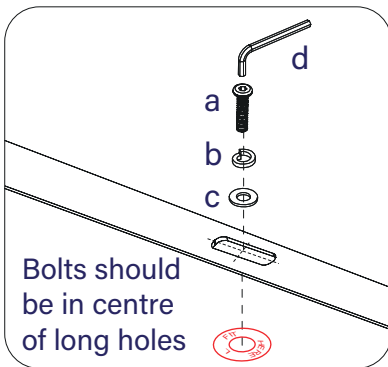
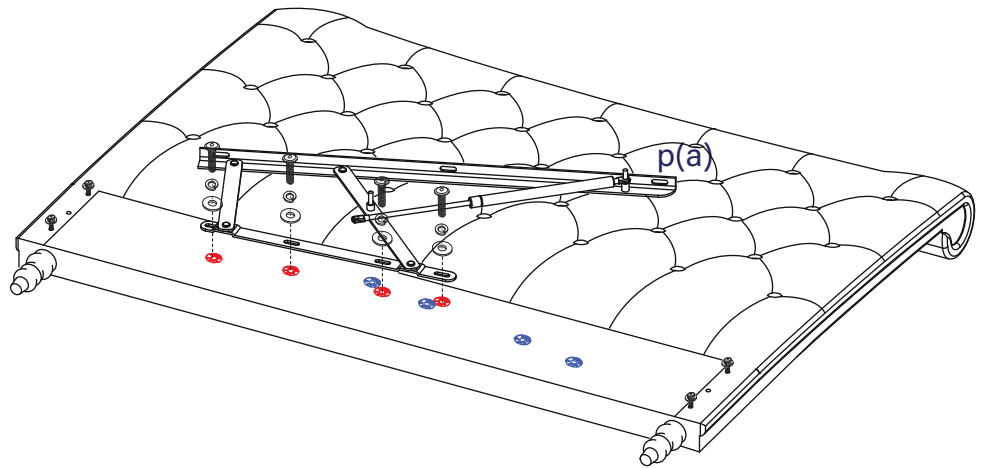
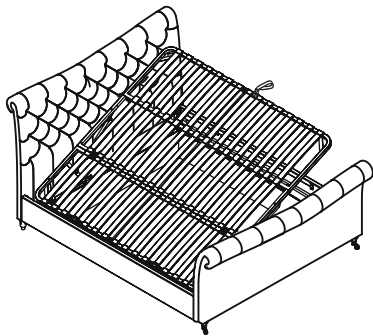
p (b)



x1

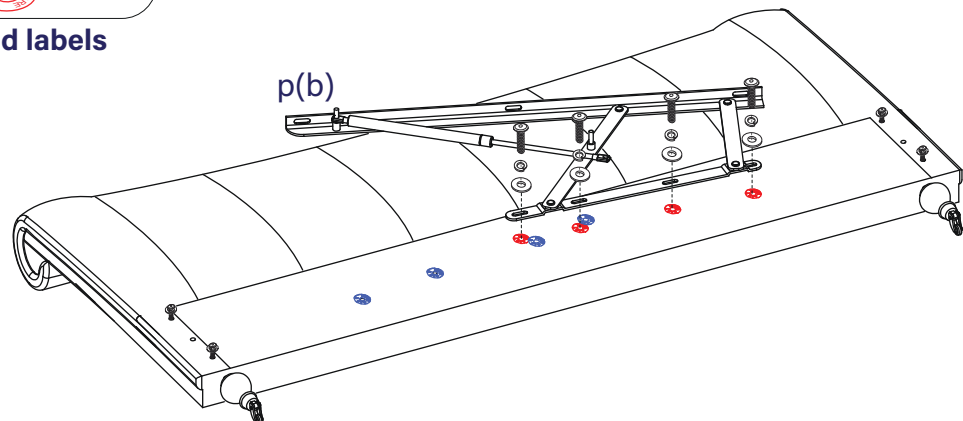
Check this diagram and if access is needed from right side of the bed, fit both lift mechanisms to left side of the headboard & footboard. Bolt into the holes marked (L) with red labels.

The mechanisms are labeled p(a) & p(b) please carefully follow the diagram below.



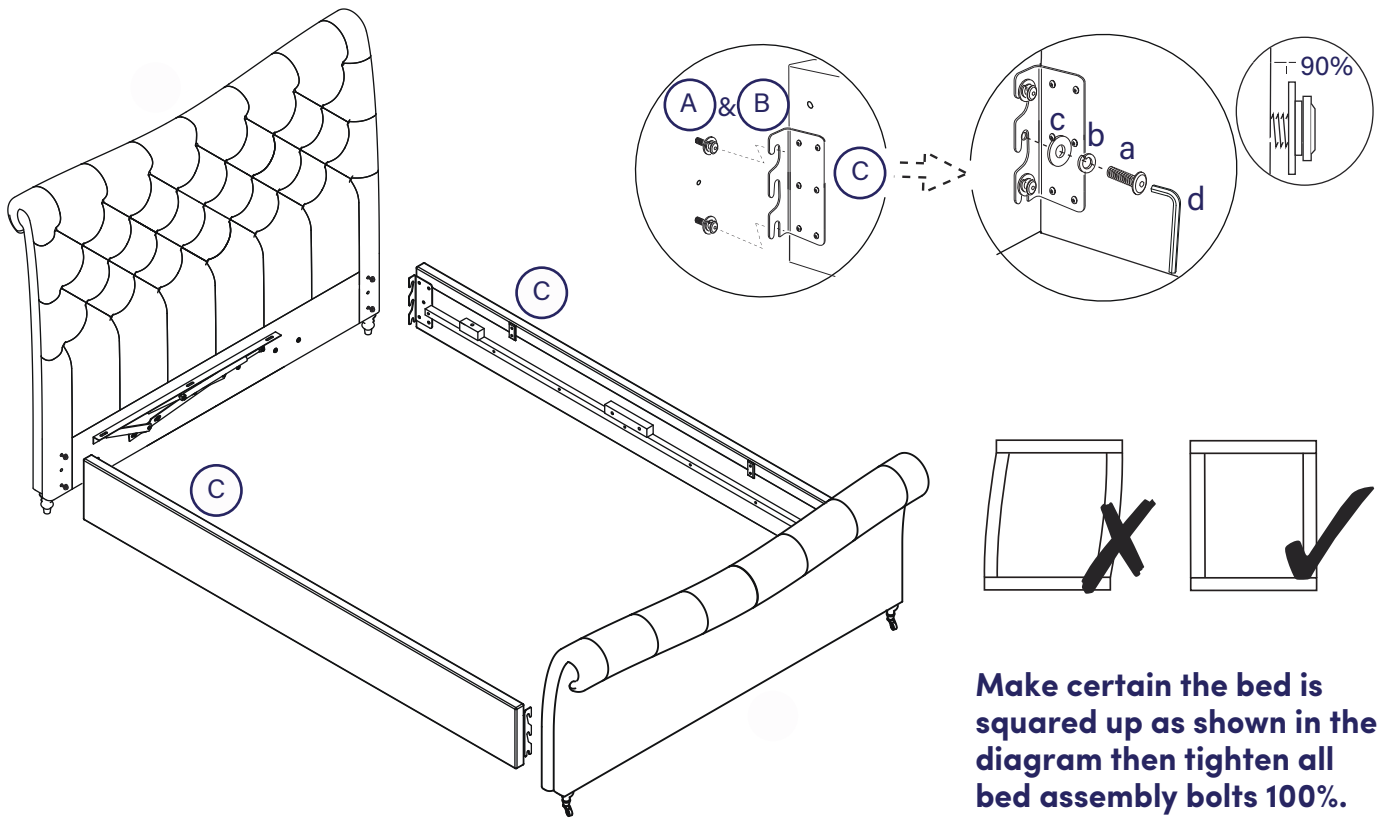
Bolts should be in centre of long holes

Align with Red labels

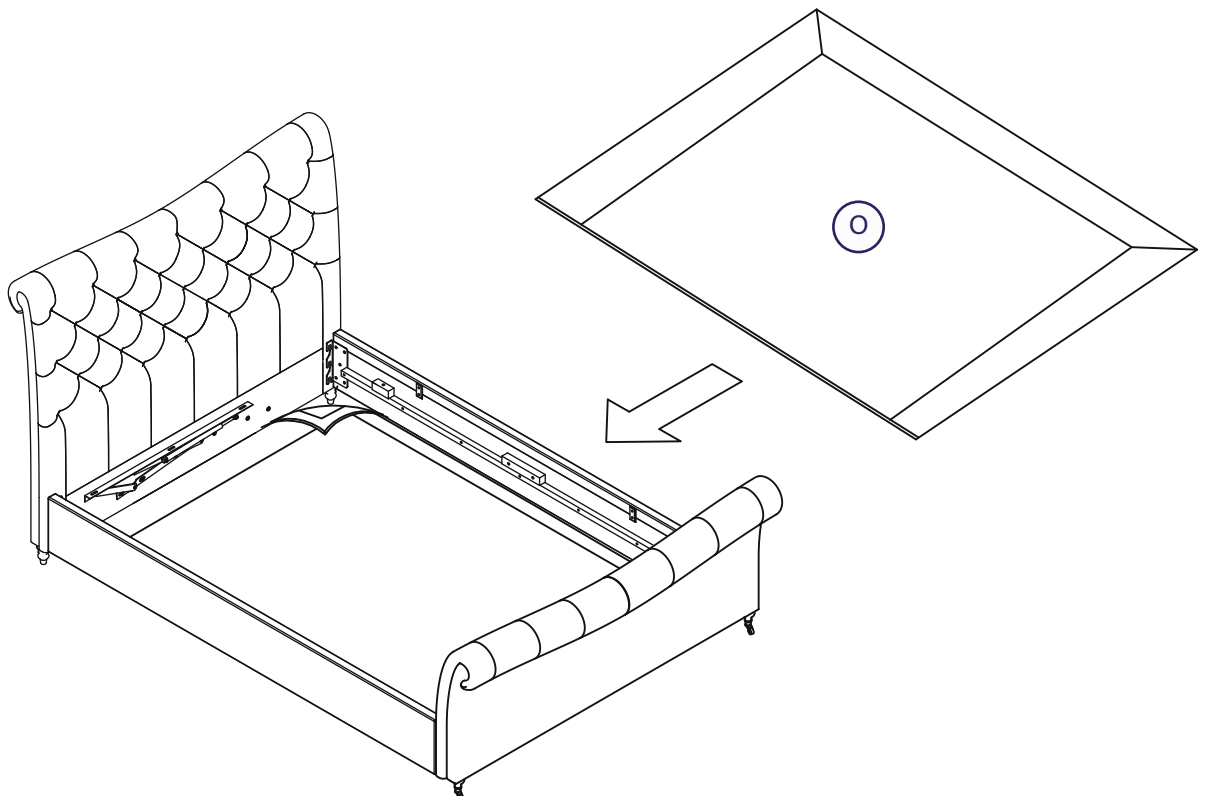





#### 4 Fit the side rails




#### 5 Fit the fabric base cover evenly around the inside of the bed

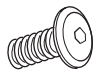



## 6 Assemble the slat-frame.

b  Double & King x4  
Super King x6

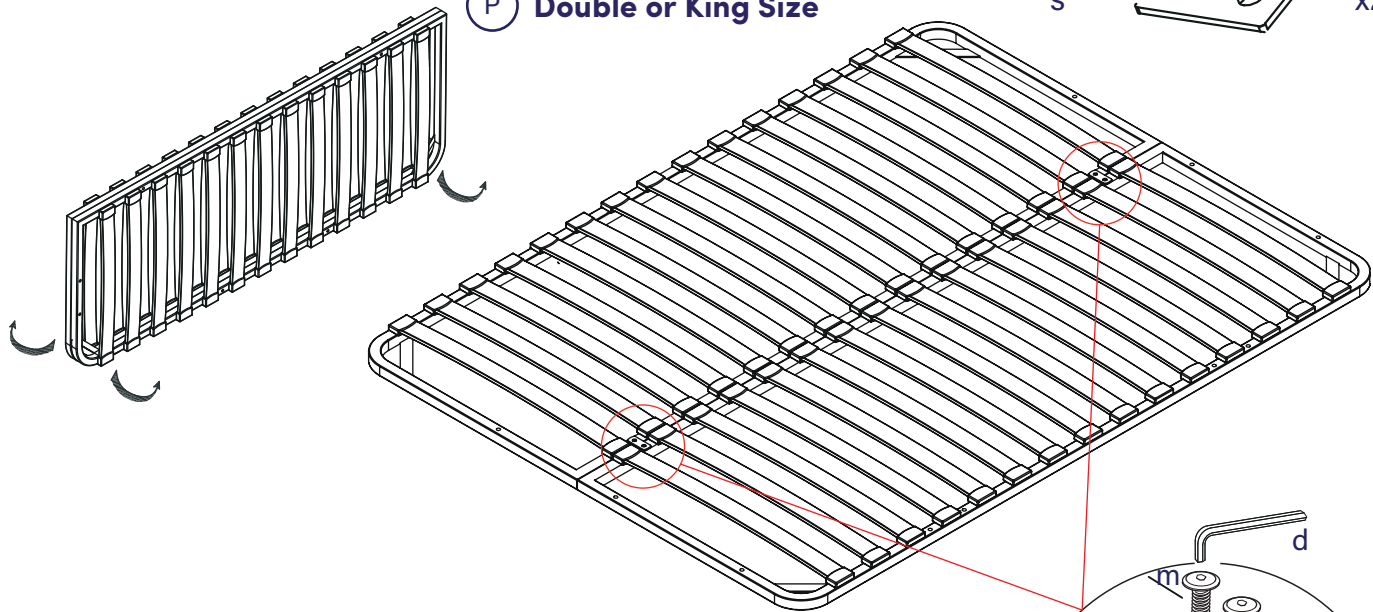
c  Double & King x4  
Super King x6

d  x1

m  Double & King x4  
Super King x6

s  x2

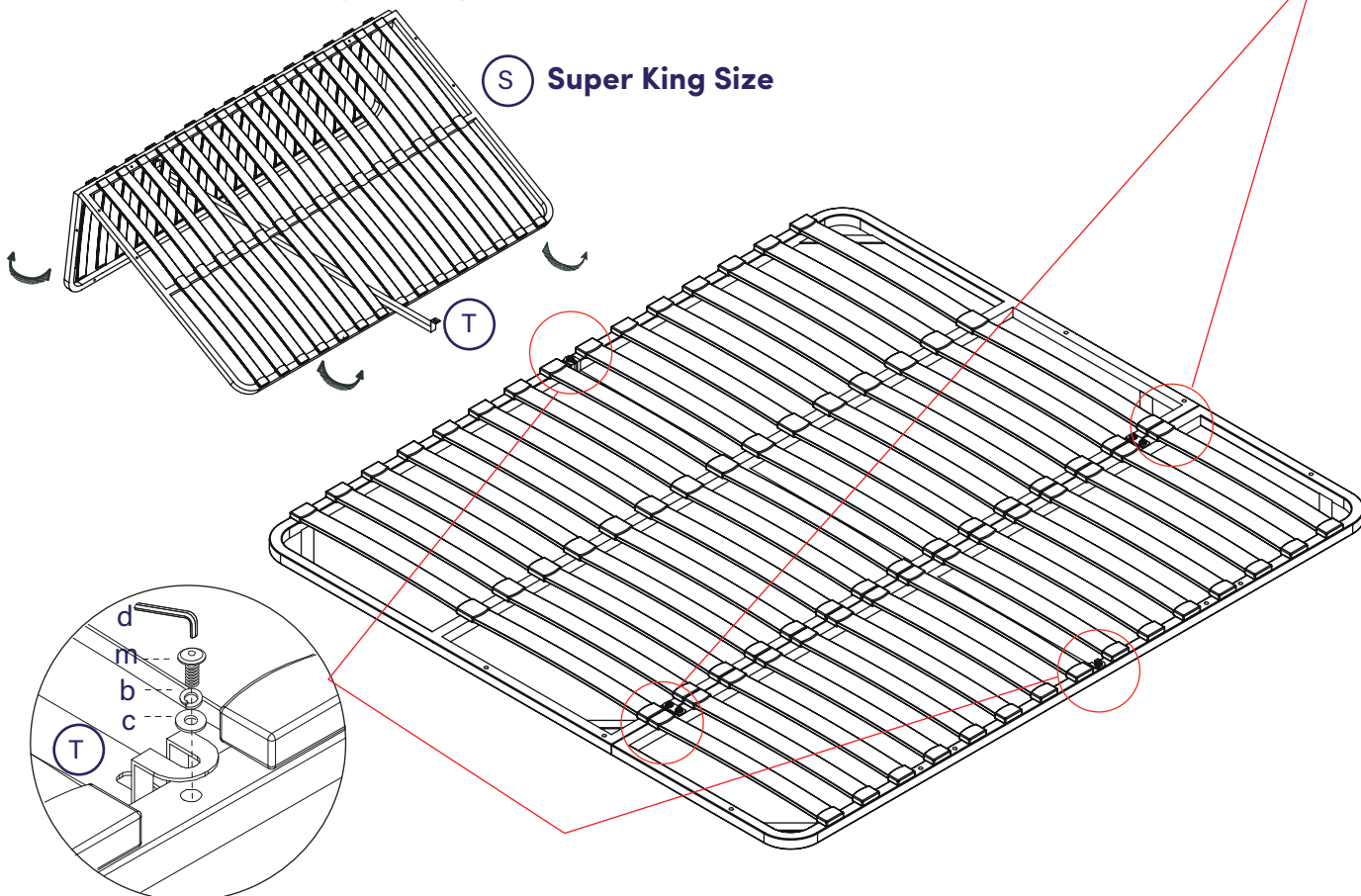
P **Double or King Size**



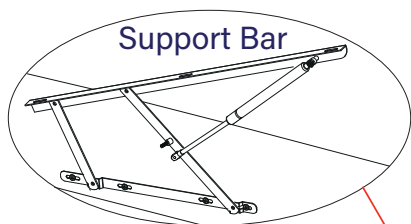
If either the double or king size bed was purchased, unfold the metal slat-frame (P) and using four bolt sets (m, b & c) fit the metal connection plates (s) into threaded inserts on top of the frame. Use Allen key (d) to tighten all four bolts 100%.

If the super-king size bed was purchased, pass cross bar (T) through the slat frame between seventh & eighth slat. Carefully open the frame then bolt both metal connection plates (s) and the cross bar (T) to the frame with bolt sets (m, b & c). Use Allen key (d) to tighten all six bolts 100%.

S **Super King Size**

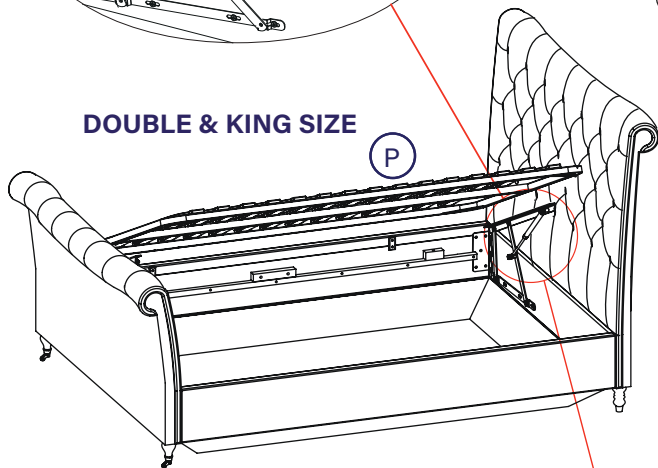


**7** Lift up the support bars and fit the slat-frame to them making sure the holes for the mattress stoppers are on the correct side of the frame.

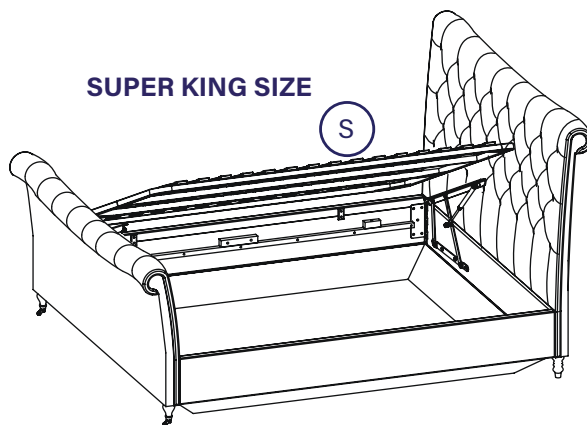


- b x6
- c x12
- d x1

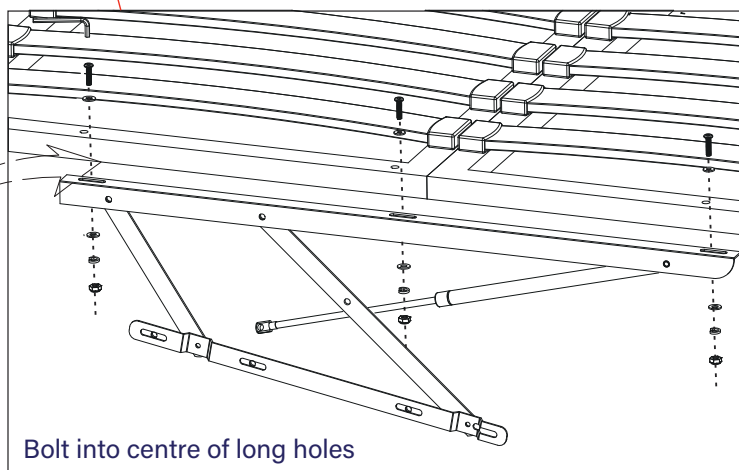
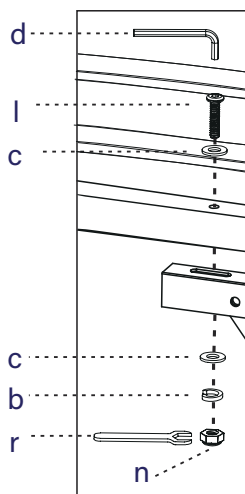
- l x6
- n x6
- r x1



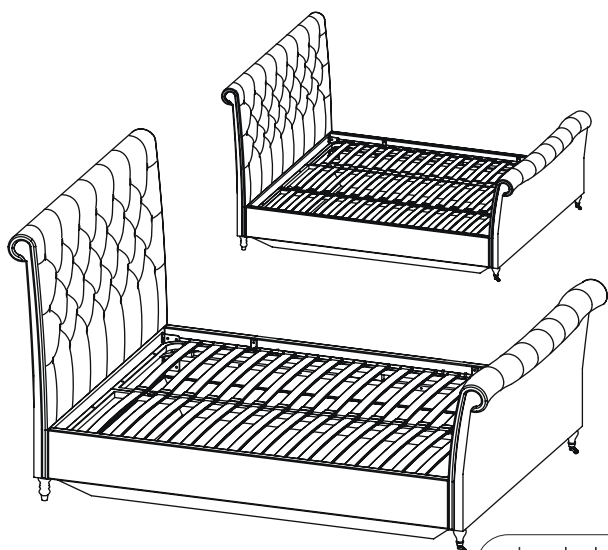
**DOUBLE & KING SIZE**



**SUPER KING SIZE**

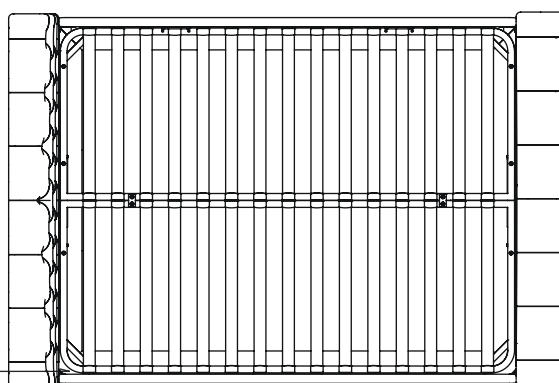
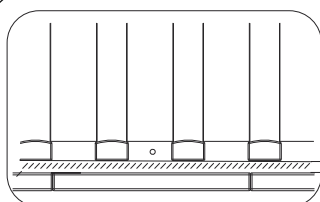


Bolt into centre of long holes

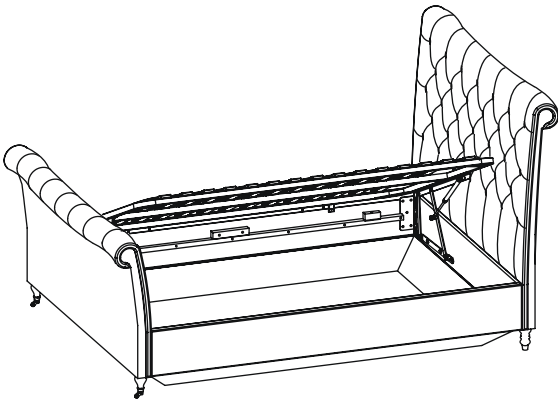


Carefully lay the slat-frame down making sure there is an even gap on each side of about 8mm, as in the sketch.

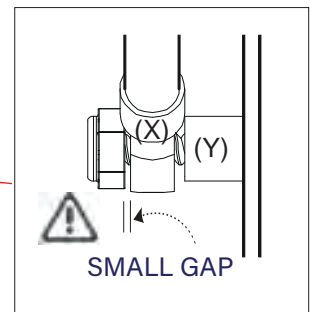
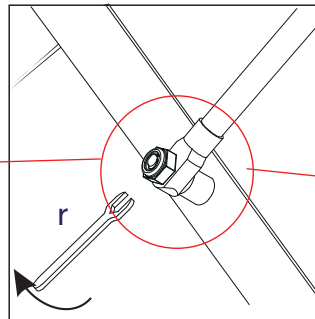
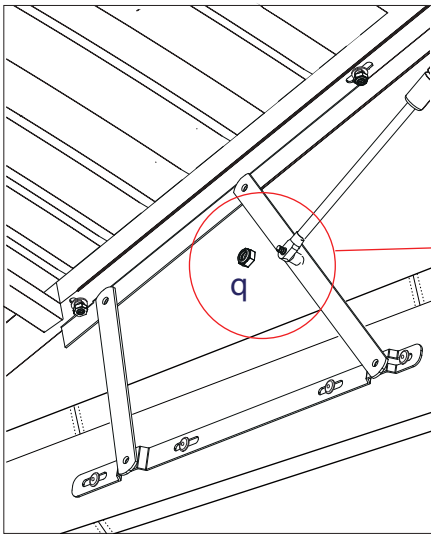
Hold frame firmly then tighten all six bolt sets 100% using spanner (r) & Allen key (d).



## 8 Fit the gas-lift pistons to the mechanisms.



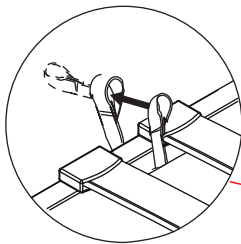
- i) During this step your assistant should hold up the slat-frame. Slide gas-lift piston stems (X) onto the axles (Y) then fit the flange lock-nuts (q).



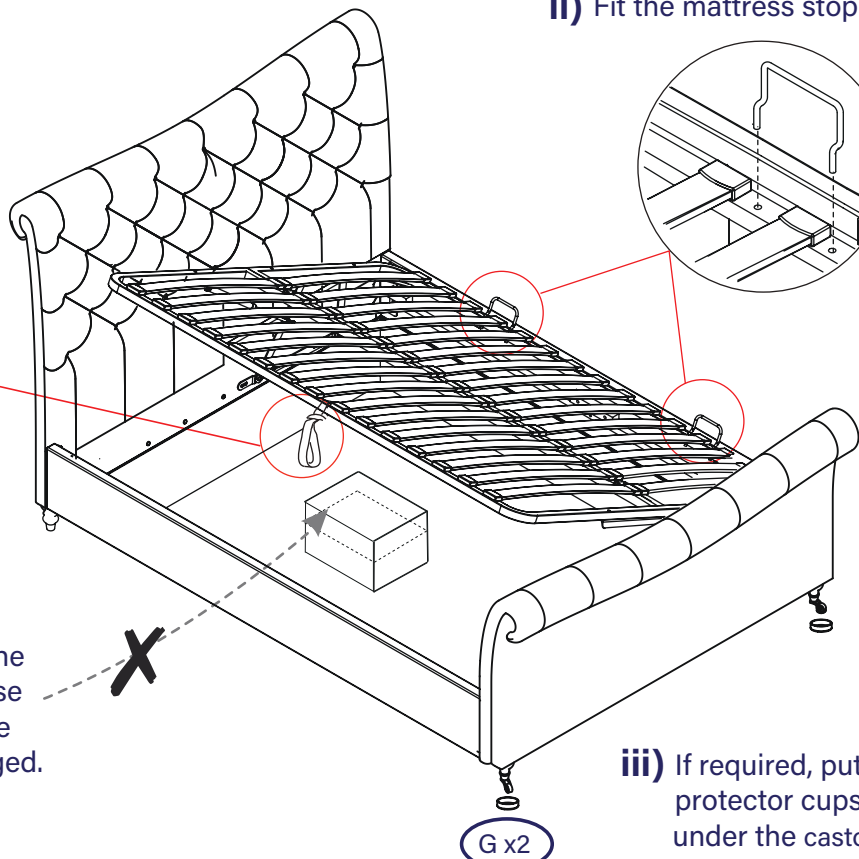
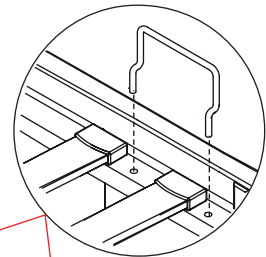
- ii) Tighten the nuts with spanner (r) - but please DO NOT over-tighten, a small gap needs to be left so stems can move freely - this is important - see sketch above right.

## 9 Fit the accessories.

- i) Fit the fabric hand strap (R) to the centre of the frame.



- ii) Fit the mattress stoppers (Q)



Note: Be very careful what you store under the bed - the top of an item, like a suitcase or a box, must not touch the slats or they may be damaged. Maximum storage height is 295mm.

- iii) If required, put the floor protector cups (G) under the castors.

G x2

## Ottoman Storage Bed

### Technical Specifications

#### Overall Dimensions (LWH mm)

Double:	2310 x 1485 x 1355
King:	2410 x 1635 x 1355
Super King:	2410 x 1935 x 1355

#### Internal Dimensions (LWH mm)

Double:	1950 x 1380 x 295
King:	2050 x 1530 x 295
Super King:	2050 x 1830 x 295

#### Distance between slats

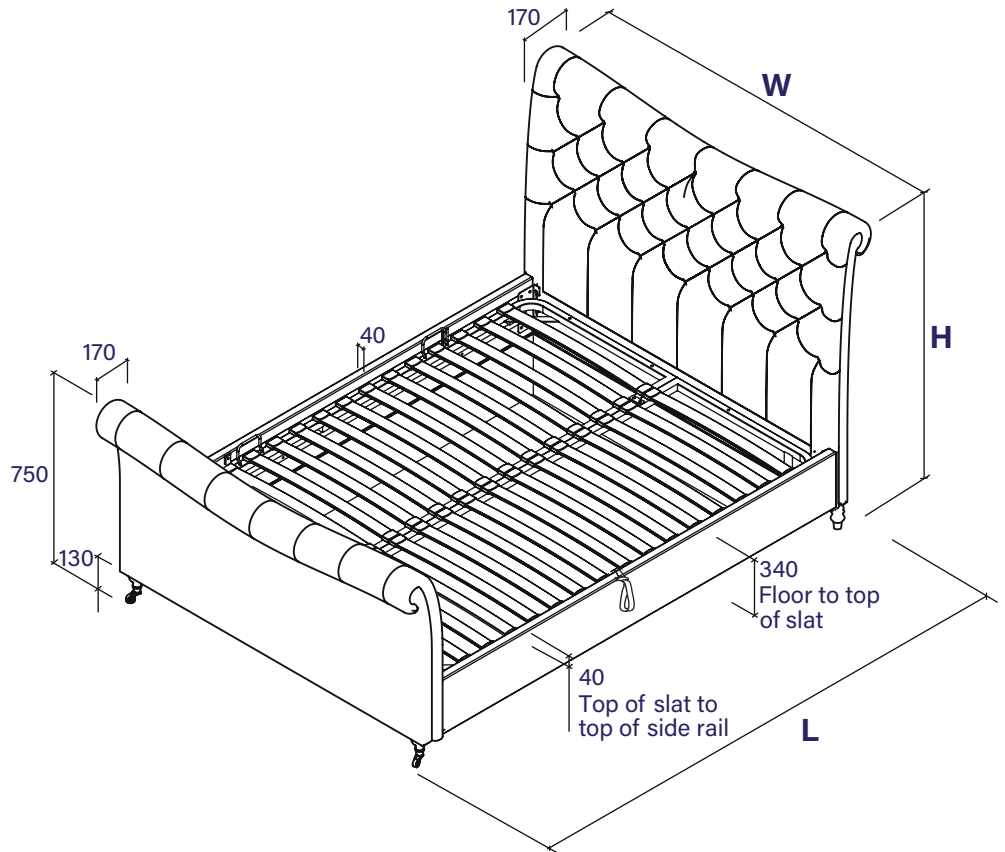
70mm

#### Ottoman Piston Rating

Double & King:	750 N
Super King:	900 N

#### Slat Dimensions (LWH mm)

Double:	670 x 53 x 9
King:	745 x 53 x 9
Super King:	595 x 53 x 9



## Sprung Slat Frame Upgrade

### Technical Specifications

#### Overall Dimensions (LWH mm)

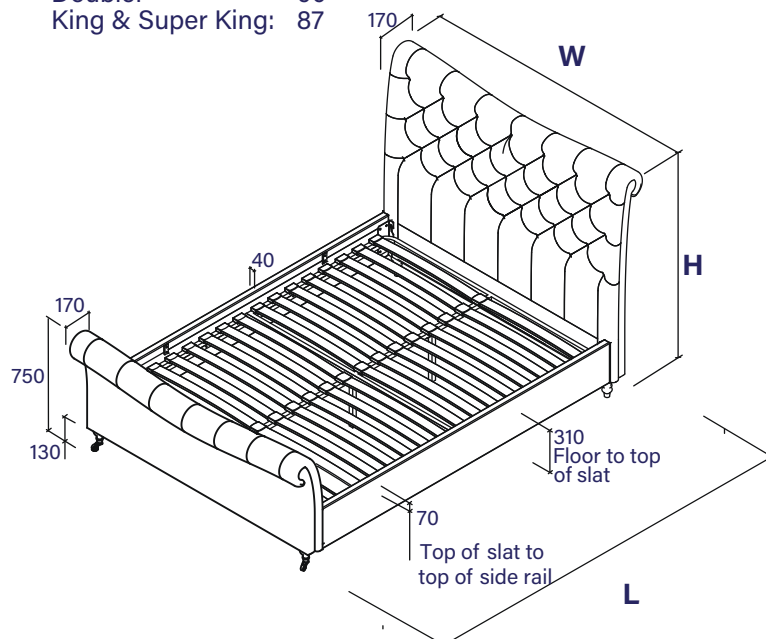
Double:	2310 x 1485 x 1355
King:	2410 x 1635 x 1355
Super King:	2410 x 1935 x 1355

#### Internal Dimensions (LW mm)

Double:	1950 x 1380
King:	2050 x 1530
Super King:	2050 x 1830

#### Distance between slats (mm)

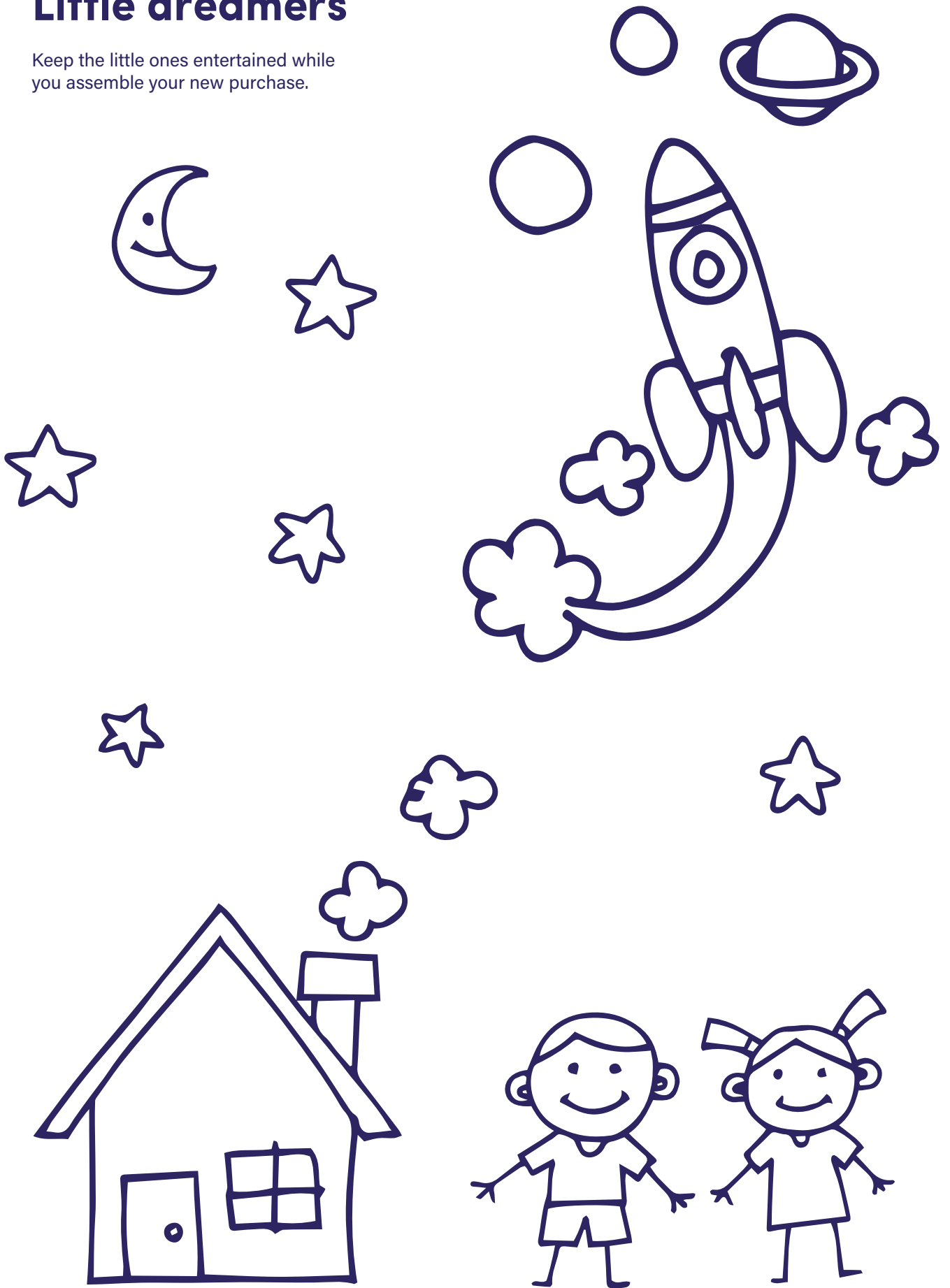
Double:	90
King & Super King:	87





# Little dreamers

Keep the little ones entertained while you assemble your new purchase.



**Dreams**

