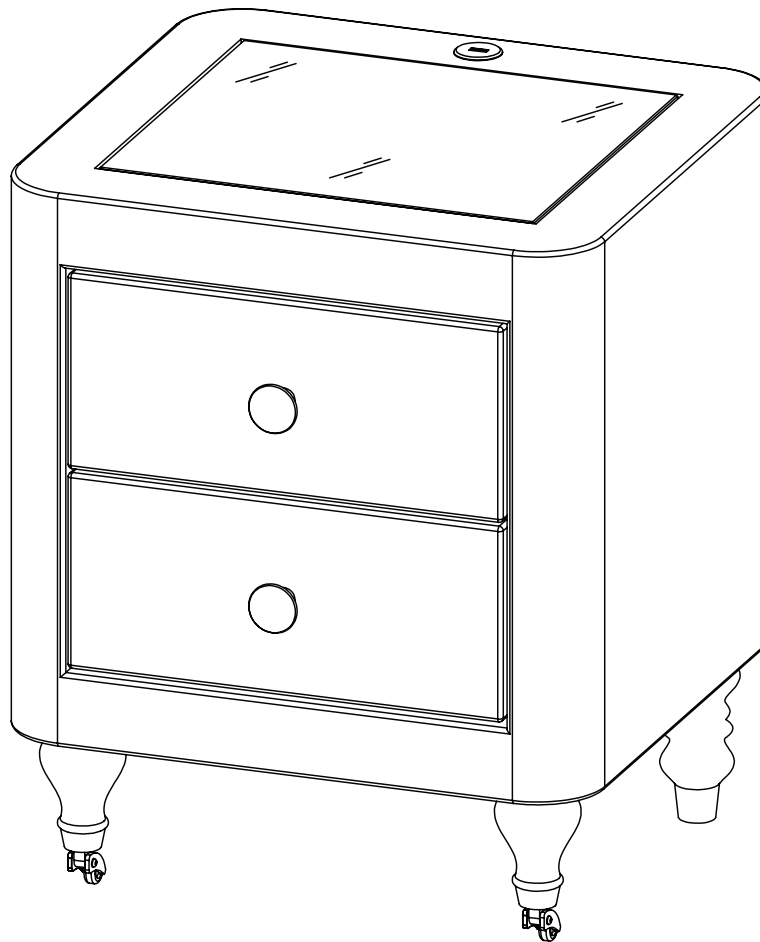


# Alana Bedside



20 min approx  
assembly time



One person  
assembly

**Dreams**

MK1 22112

# Thank you

Hello, thanks for choosing to purchase your furniture from Dreams - you're now on your way to creating a functional and fabulous room. Before you begin building your furniture, please take a moment to read through the instructions and make sure that you've got all the relevant parts listed on the following pages.



## Assembly tips

Before you begin, it's best to identify all parts and fittings to build your furniture. We advise laying these out on the floor to check you have everything, and familiarising yourself before building.



## Top tip

We recommend that you build your new furniture in the room you'd like it to be located - this will help prevent any risk of damage to your newly built furniture whilst moving it.



## Safety and care

It's really important to ensure children and animals are kept away from the assembly area, as there are small components used in this bed which could present a choking hazard. All plastic and wrapping materials should also be kept away from children and animals to prevent any risk of suffocation. To keep your little ones busy, there is a colouring page inside the back cover.



## Help and support

At Dreams, it's our mission to give the whole nation a great night's sleep - this means that the quality of our products is of utmost importance to us. If there are any issues with your product or any missing parts, please visit our website at [www.dreams.co.uk/help](http://www.dreams.co.uk/help)



## Recycling

Please ensure that packaging is disposed of in a safe and environmentally friendly way, and recycle where possible. Our assembly instructions are printed on recycled paper. Please keep your assembly instructions safe to refer back to in the future.

# Parts

## Important information

Once you have identified that you have all of the relevant parts and fittings, please follow the instructions below;

## Parts list

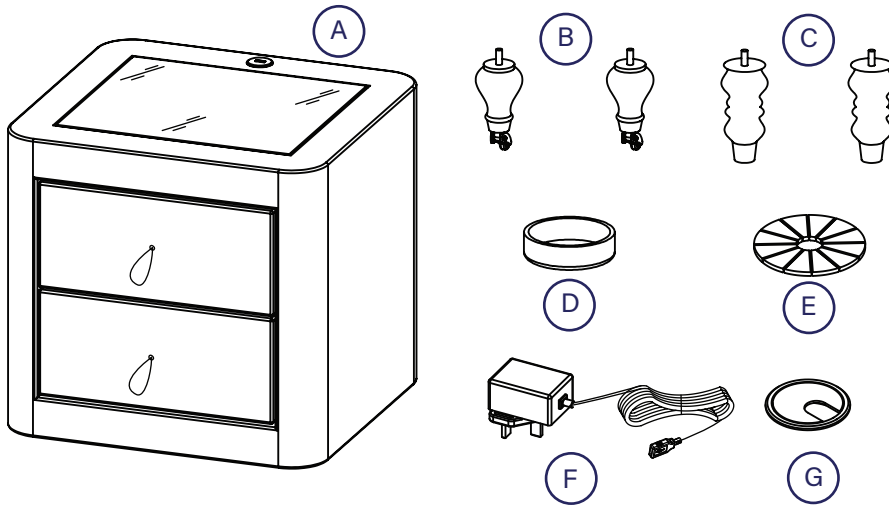
|    |                     |   |
|----|---------------------|---|
| A. | Bedside             | 1 |
| B. | Front castor leg    | 2 |
| C. | Back plain leg      | 2 |
| D. | Floor protector cup | 2 |
| E. | Locking washer      | 4 |
| F. | Power supply plug   | 1 |
| G. | Cable port insert   | 1 |

## Tools required

Please check you have the below.



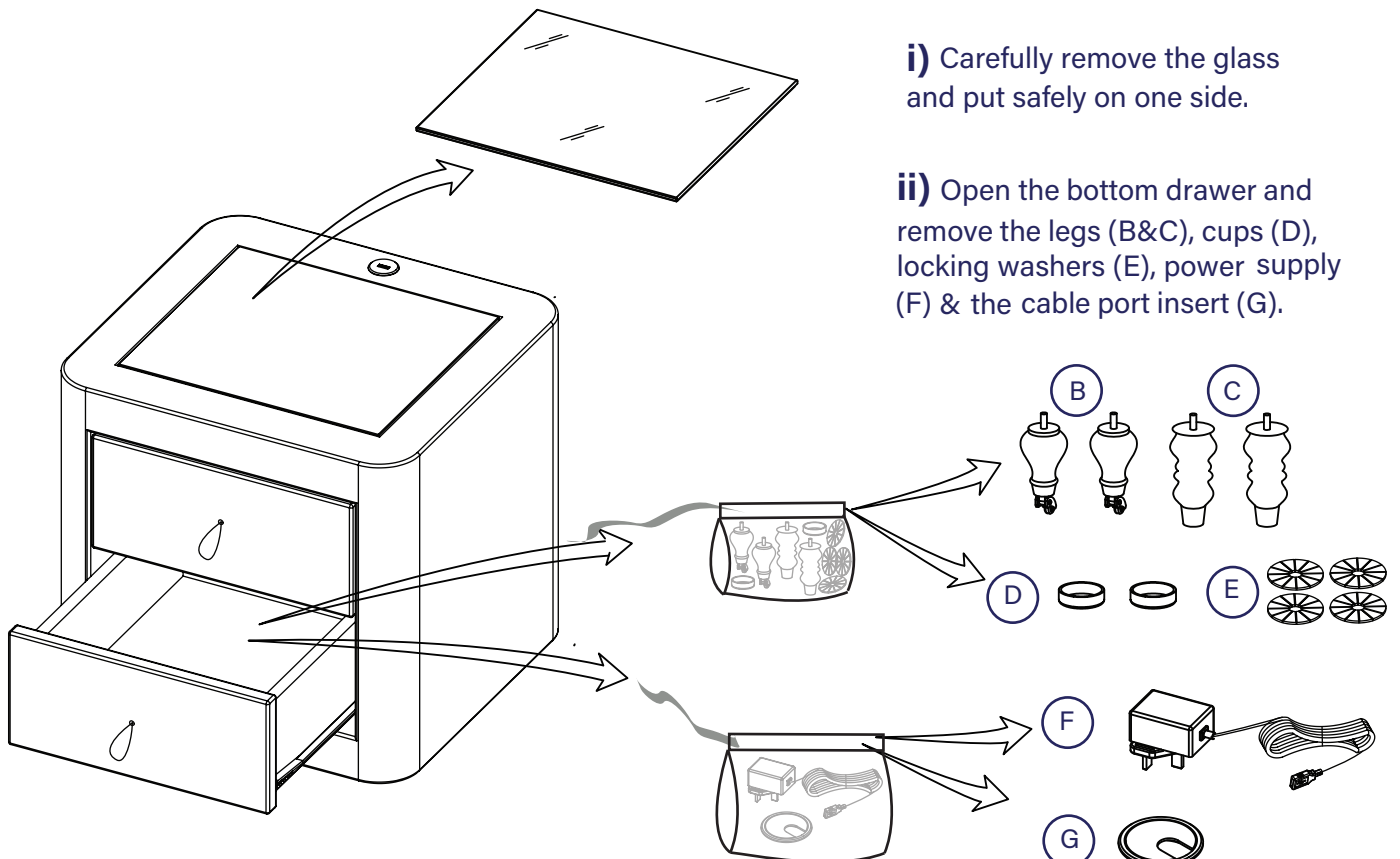
Cross head  
screwdriver



## 1 Bedside assembly

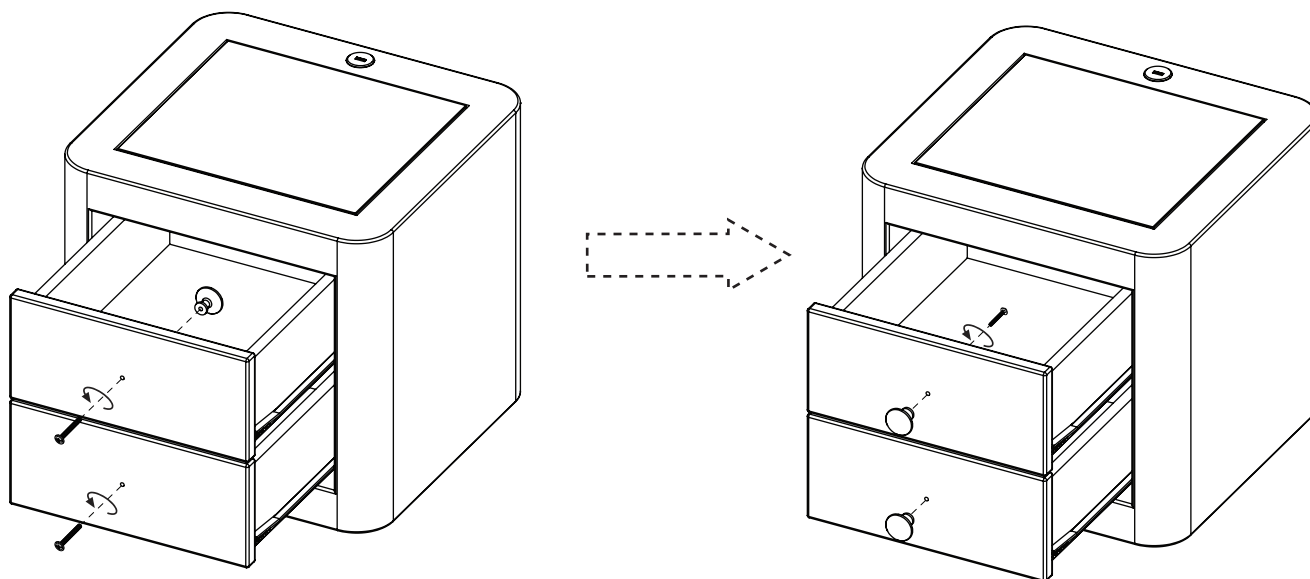
**i)** Carefully remove the glass and put safely on one side.

**ii)** Open the bottom drawer and remove the legs (B&C), cups (D), locking washers (E), power supply (F) & the cable port insert (G).

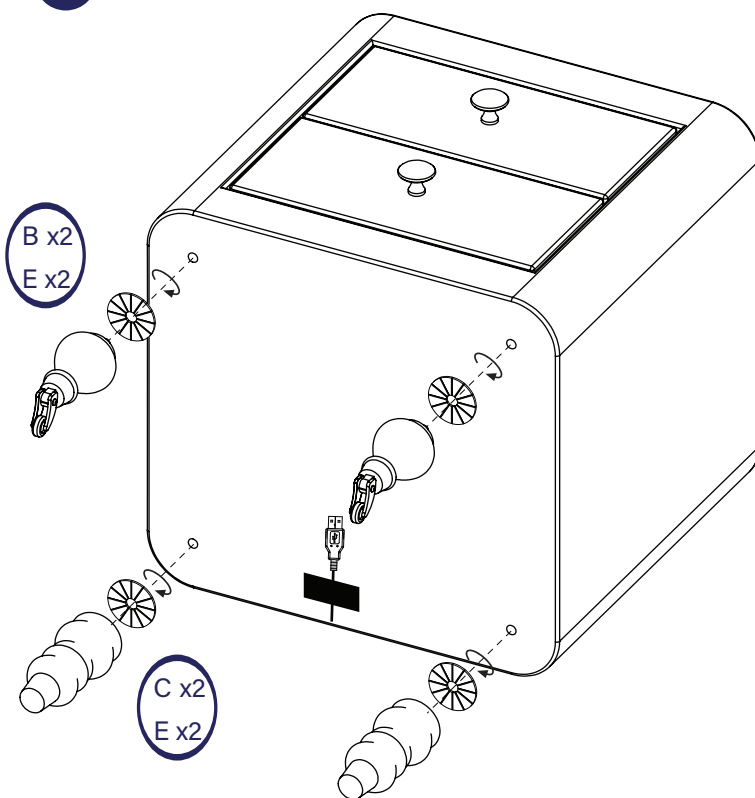


2

Pull open each drawer in turn using the string, remove the knobs and re-fit to front of the drawers. Please do not over tighten the screws.

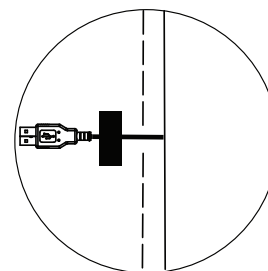


3

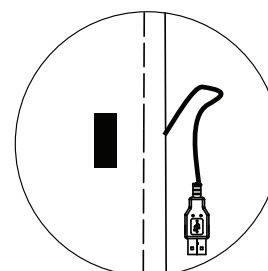


i) Turn the chest over onto a clean, dry surface. Place lock washers (E) over each threaded stud and carefully screw in the legs as shown, castors at the front. Please do not over-tighten.

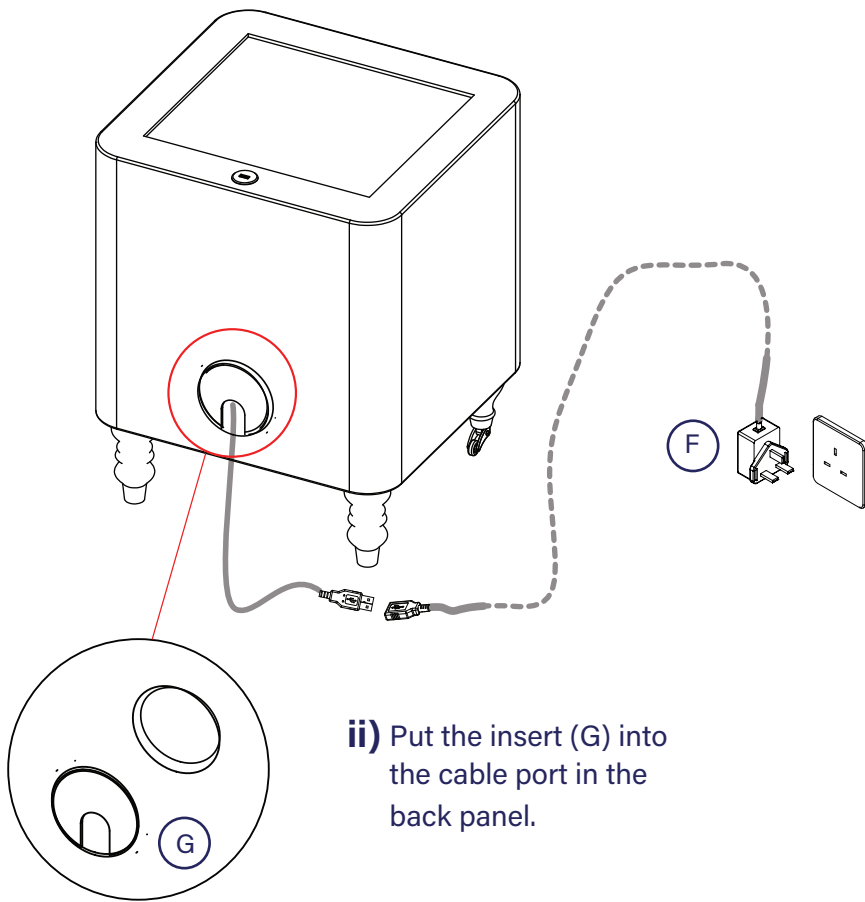
ii) Underneath the base, unclip the cable from the velcro tab.



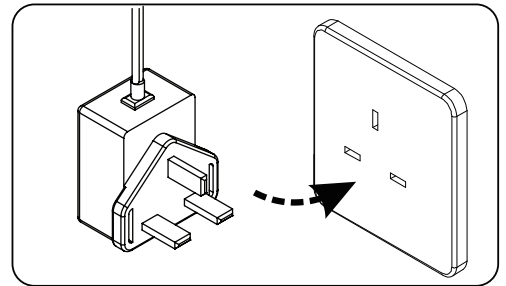
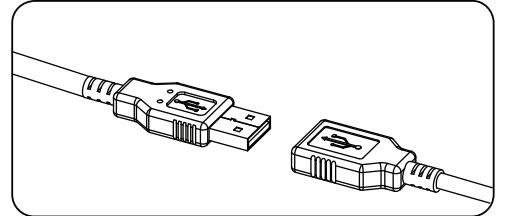
iii) Withdraw cable - NB: do not pull too hard.



4

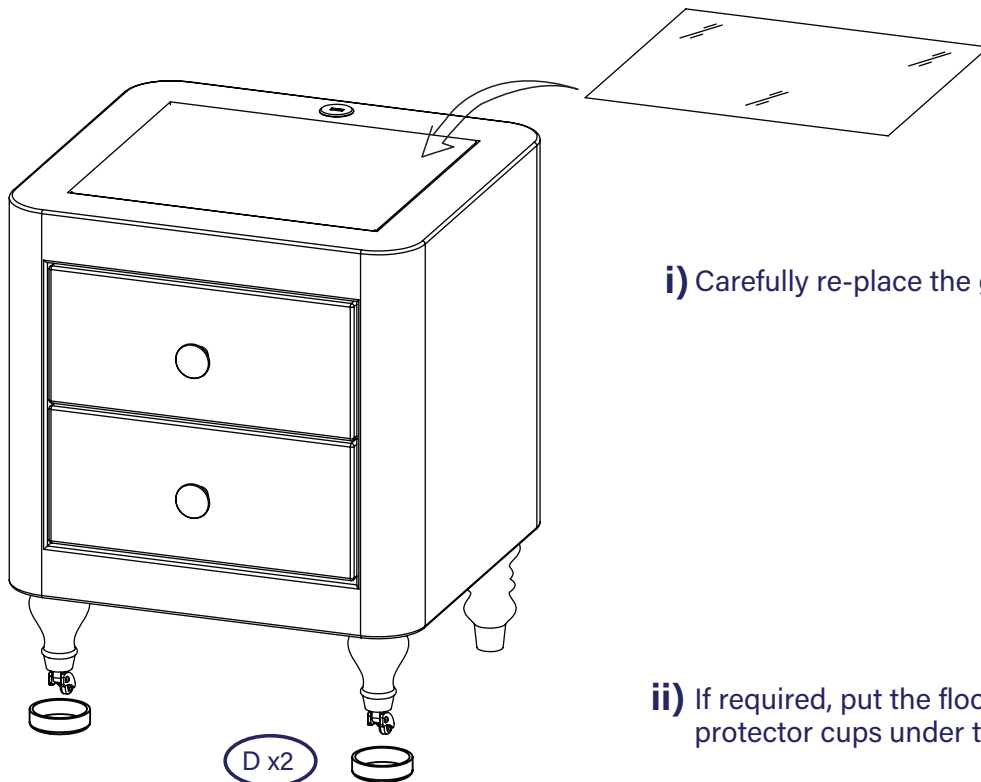


**i)** Connect the cables together. Position the chest and push the power supply plug into an earthed wall socket.



**ii)** Put the insert (G) into the cable port in the back panel.

5



**i)** Carefully re-place the glass.

**ii)** If required, put the floor protector cups under the castors.

## **Technical Specifications**

### Overall Dimensions (WDH mm)

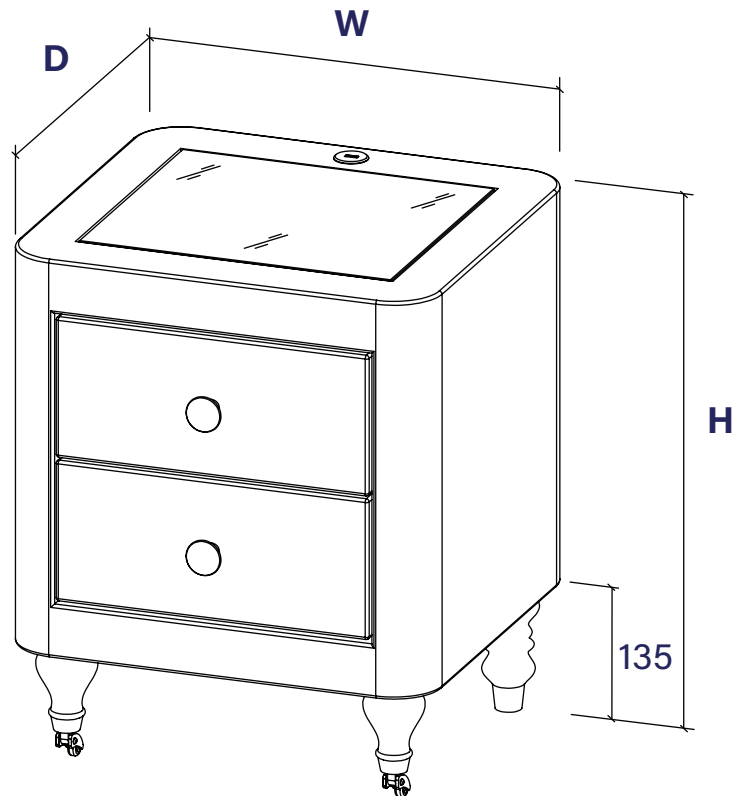
440 x 415 x 540

### Glass Dimensions (WDH mm)

325 x 284 x 5

### Drawer Dimensions (WDH mm)

320 x 355 x 145



## **Care and maintenance**

Here are some tips to keep your new furniture in tip-top condition



### **Cleaning**

To clean your new furniture, we'd advise using a warm damp cloth or if fabric, remove dust using a low suction vacuum cleaner - please do not use abrasive chemicals or bleach as this may damage the product.



### **Checking and moving**

Periodically we recommend you check that the screws or fixtures haven't been become loose, over time. To move your new furniture, we recommend lifting it where possible, as dragging or pushing it could cause damage to the legs or flooring.



### **Wood**

Please note each of our wooden pieces are unique, meaning that markings and shade can vary slightly between beds. Over a period of time, the wood might lighten or fade slightly due to light exposure.



### **Fabric**

Please note depending on the lighting, positioning and surroundings of your room, the shade of the colour can sometimes appear slightly different. Over a period of time, the colour might lighten or fade slightly due to light exposure.



### **Metal**

Metal tends to be more resilient to everyday wear and tear. We recommend to gently dust your metal furniture and keep it dry to maintain its look.

**Thank you for shopping with us - we hope you have a great night's sleep**

*Sleep well*



# Little dreamers

Keep the little ones entertained while you assemble your new purchase.



**Dreams**

