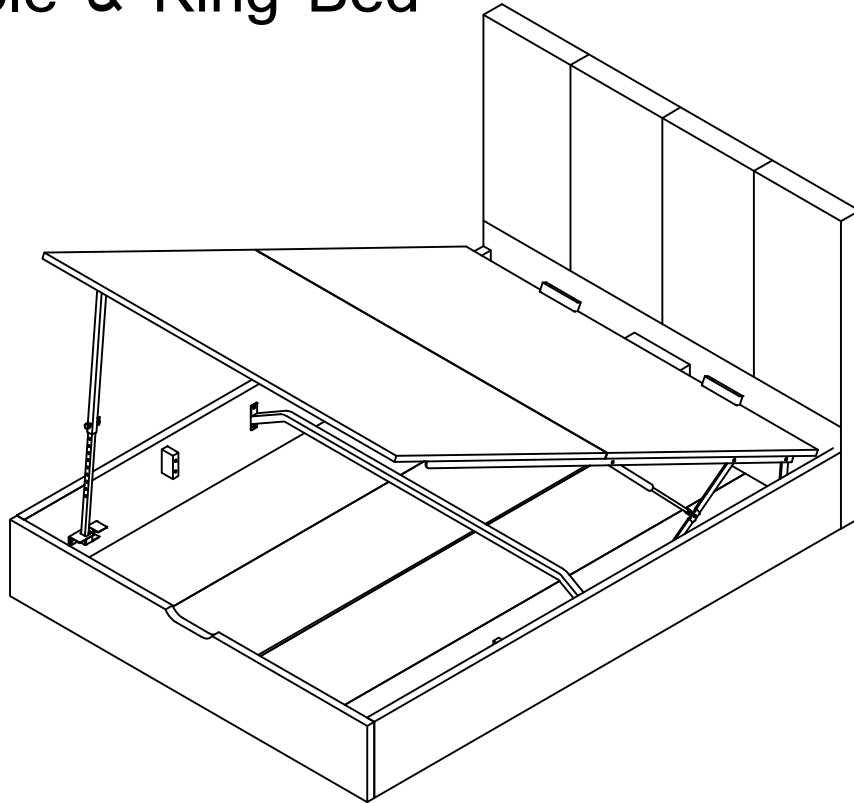


# Acton Double & King Bed



**Important - read this guide carefully and retain for future reference.**

## Ottoman Safety Warnings

- You must ensure that the mattress is on the bed frame before operating the lift mechanism - Failure to do so could result in injury.
- Keep hands clear of the mechanism when opening or closing the ottoman.
- Beware of entrapment - Never reach in through the mechanism to access the storage area.
- Always engage the support bar when accessing the storage area.
- Always ensure that the ottoman is FULLY opened before accessing the storage area.
- Do not exceed the maximum weight as specified in the table below:

Bed	Bed Size	Piston strength (N/M)	Min Weight (kg)	Max Weight (kg)
Acton (manual)	Double	900	20	40
	King	1000	25	55



1 hour approx  
assembly time



Two person  
assembly

# Dreams

Love your bed

# Thank you

Hello, thanks for choosing to purchase your bed from Dreams - you're now on your way to your best Ever night's sleep. Before you begin building your bed, please take a moment to read through the Instructions and make sure that you've got all the relevant parts listed on the following pages.



## Assembly tips

Before you begin, it's best to identify all parts and fittings to build your bed. We advise laying these out on the floor to check you have everything, and familiarising yourself before building.



## Top tip

We recommend that you build your new bed in the room you'd like it to be Located - this will help prevent any risk of damage to your newly built bed Whilst moving it .



## Safety and care

It's really important to ensure children and animals are kept away from the assembly area, as there are small components used in this bed which could present a choking hazard, All plastic and wrapping materials should also be kept away from children and animals to prevent any risk of suffocation. To keep your little ones busy, there is a colouring page inside the back cover.



## Help and support

At Dreams, it's our mission to give the whole nation a great night's sleep - this means that the quality of our products is of utmost importance to us. If there are any issues with your product or any missing parts, please visit our website at [www.dreams.co.uk /help](http://www.dreams.co.uk/help)

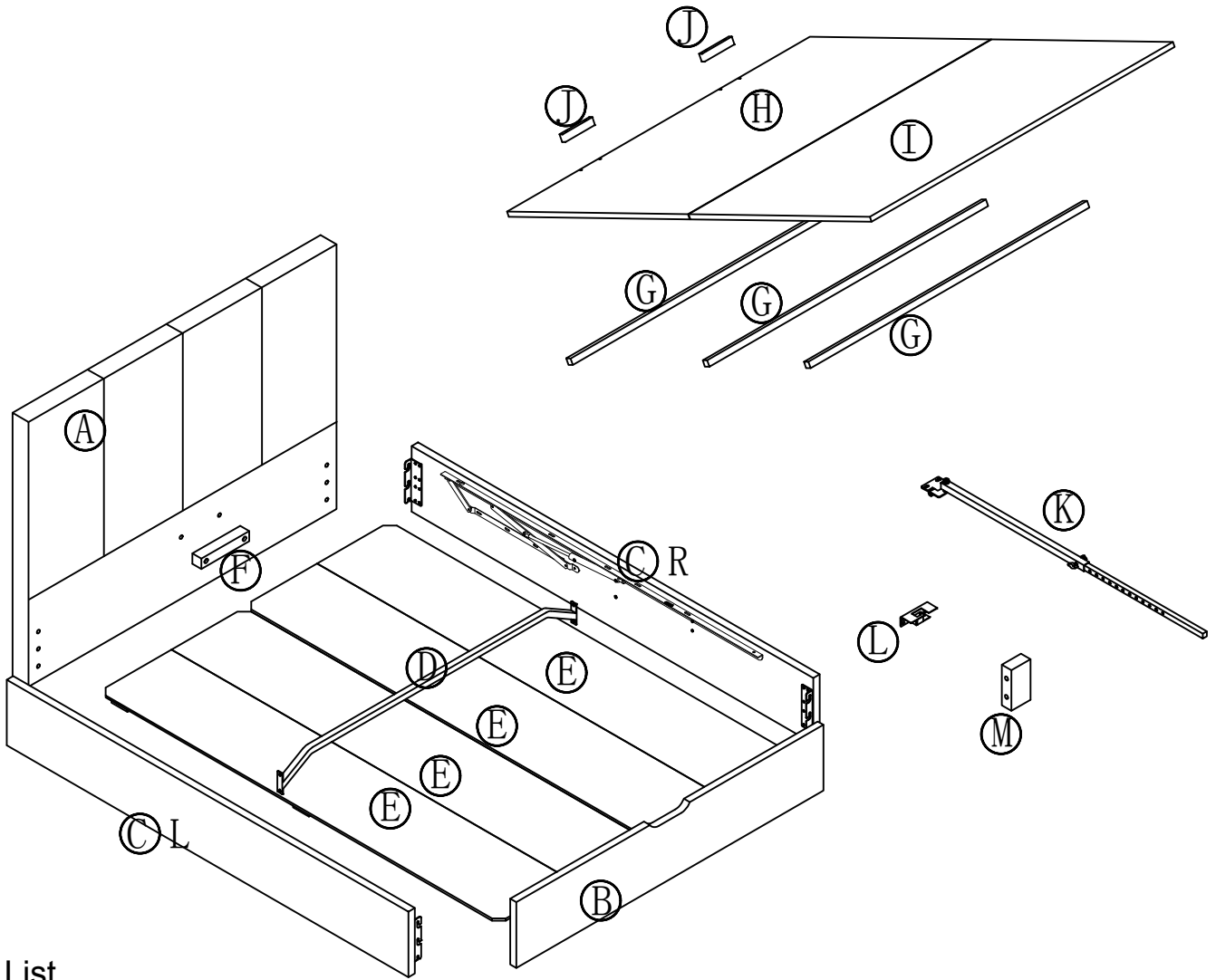


## Recycling

Please ensure that packaging is disposed of in a safe and environmentally friendly way, and recycle where. Please keep your assembly instructions safe to refer back to in the future.

# Parts

The bed you have purchased comes with a metal slat frame lifting from the front

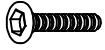


## Parts List

Ref	Description	Qty	Ref	Description	Qty
A.	Headboard	1	K.	Ottoman stay support bar	1
B.	Footboard	1	L.	Ottoman stay bracket on side rail	1
C.	Side Rails (Left & Right)	2	M.	Support bracket	2
D.	Support rail	1			
E.	Base Boards	4			
F.	Resting Support	1			
G.	Cross rail	3			
H.	Front Lift Base	1			
I.	Back Lift Base	1			
J.	Mattress support rail	2			

# Fittings

Please check you have all the parts listed below with your product:



(a) Bolt (M8x20)  
×16pcs



(b) Locknut M8  
×2pcs



(c) Bolt (M6x15)  
×11pcs



(d) Bolt (M6x65)  
×4pcs



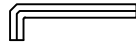
(e) Bolt (M8x45)  
×6pcs



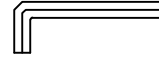
(f) Ø6 Spring Washer  
×2pcs



(g) Ø6 Flat Washer  
×2pcs



(h) Allen Key (M4)  
×1pc



(i) Allen Key (M5)  
×1pc



(j) Spanner  
×1pc

(k) bracket  
×1pc



# Tools required

Please check you have all these below:



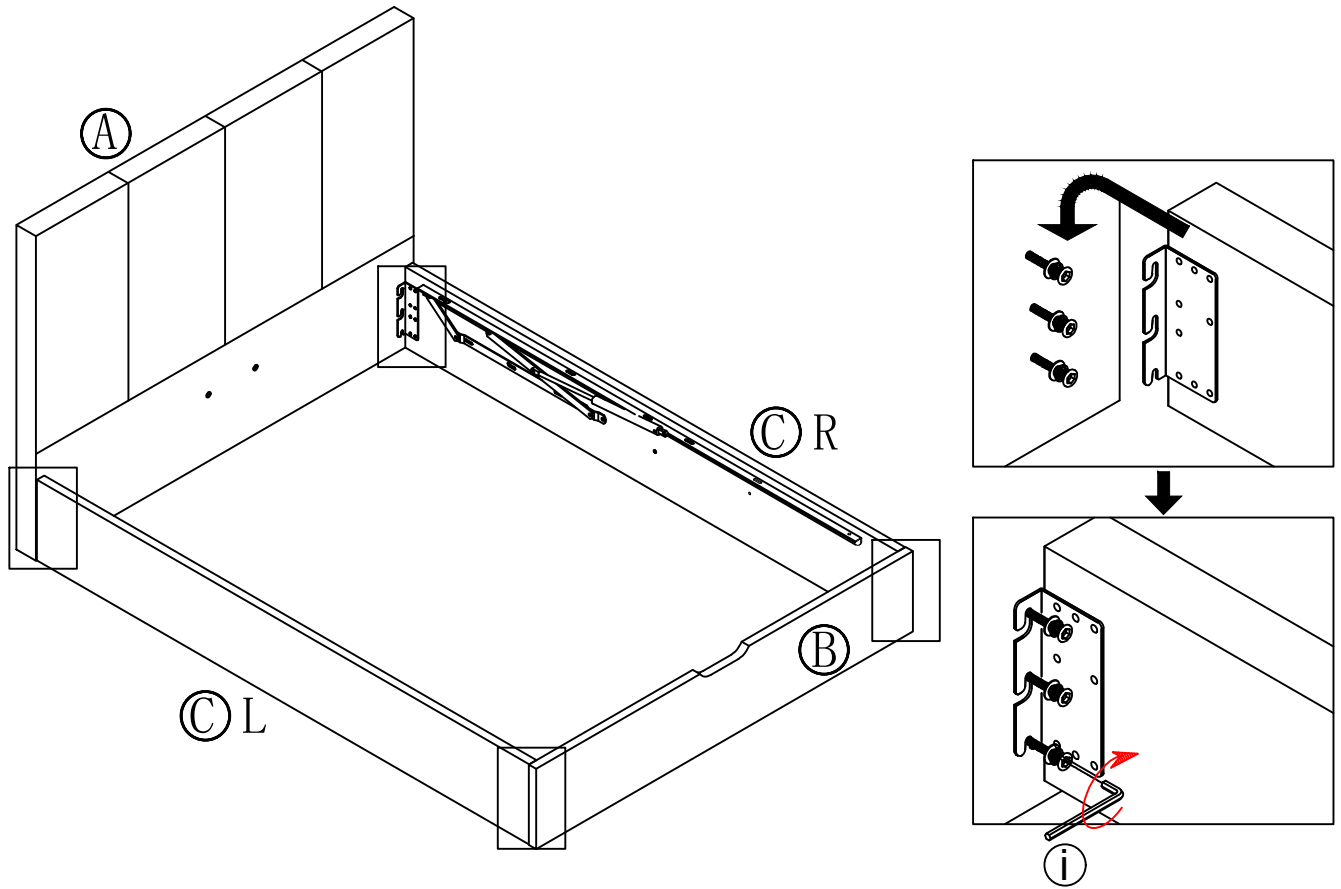
Scissors



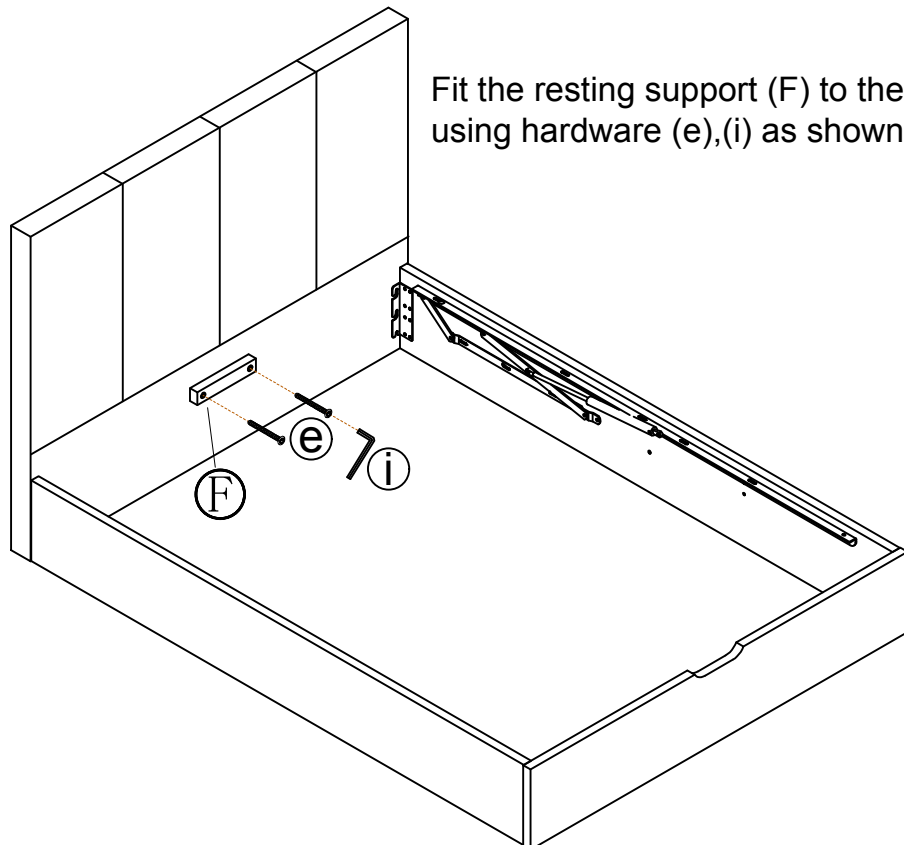
Tape measure

# Ottoman Assembly

- 1 Loose the pre-installed bolts in the headboard and footboard, hook the side rail (C) over the bolts as shown.



- 2 Fit the resting support (F) to the headboard (A) using hardware (e),(i) as shown.

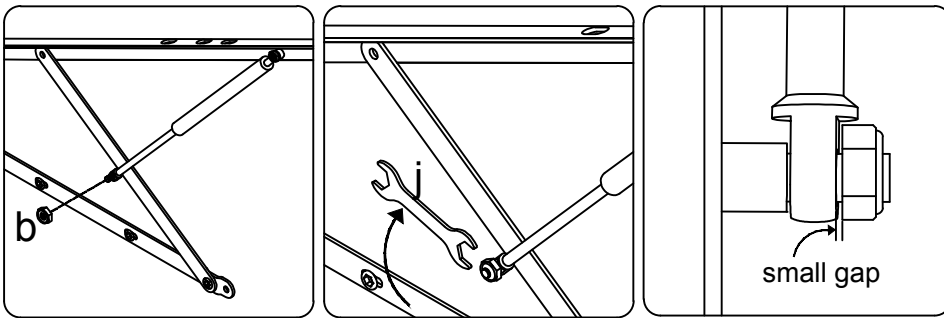
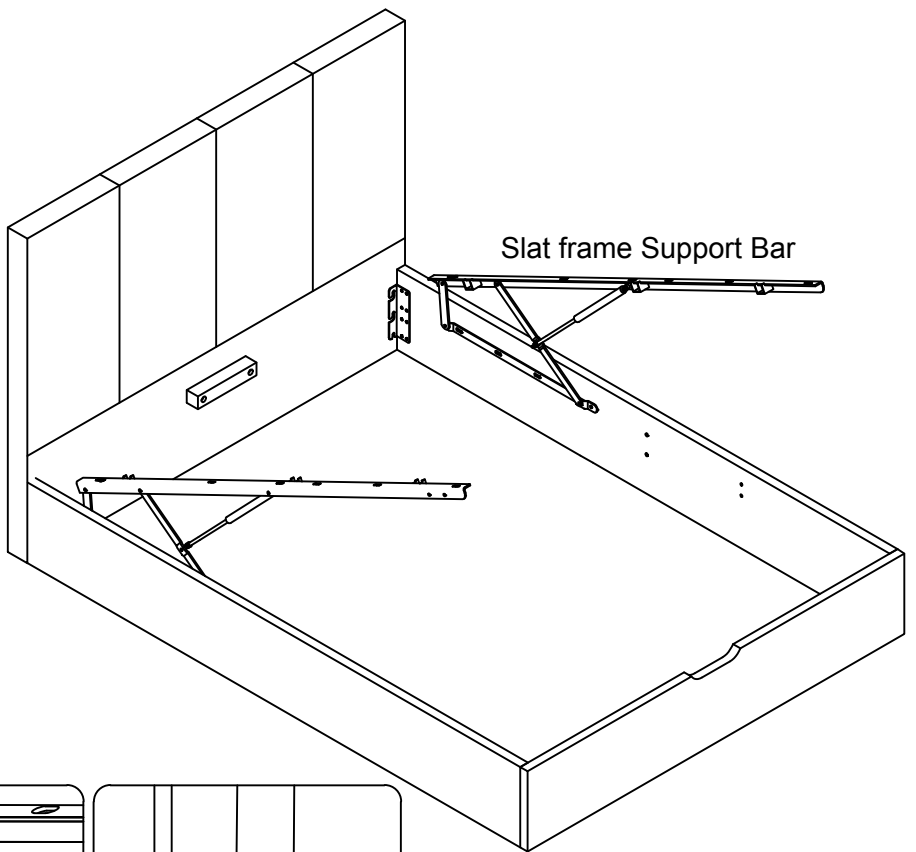


# Ottoman Assembly

3

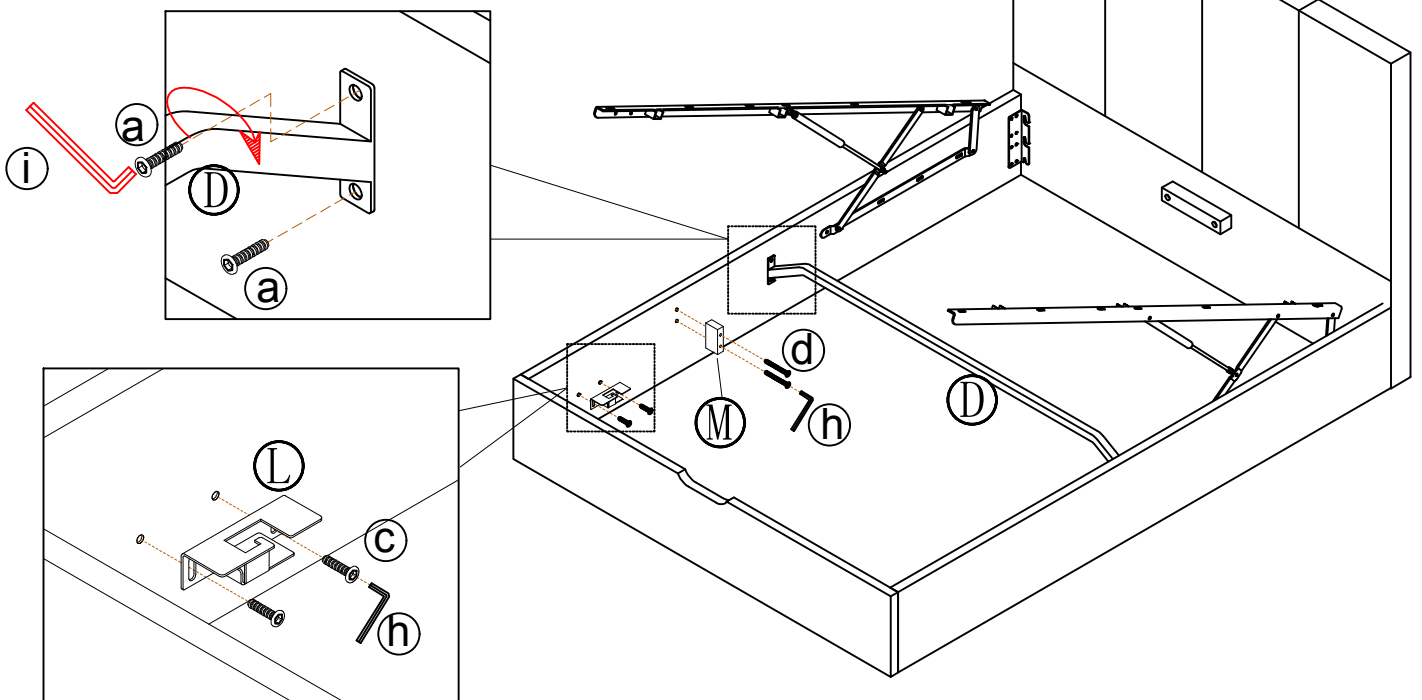
Slide gas - lift piston stem onto the axle then fit the Nuts (b). Tighten Nuts with Spanner (j), do not over - tighten.

A small gap needs to be left so stem can move freely, please see sketch below.



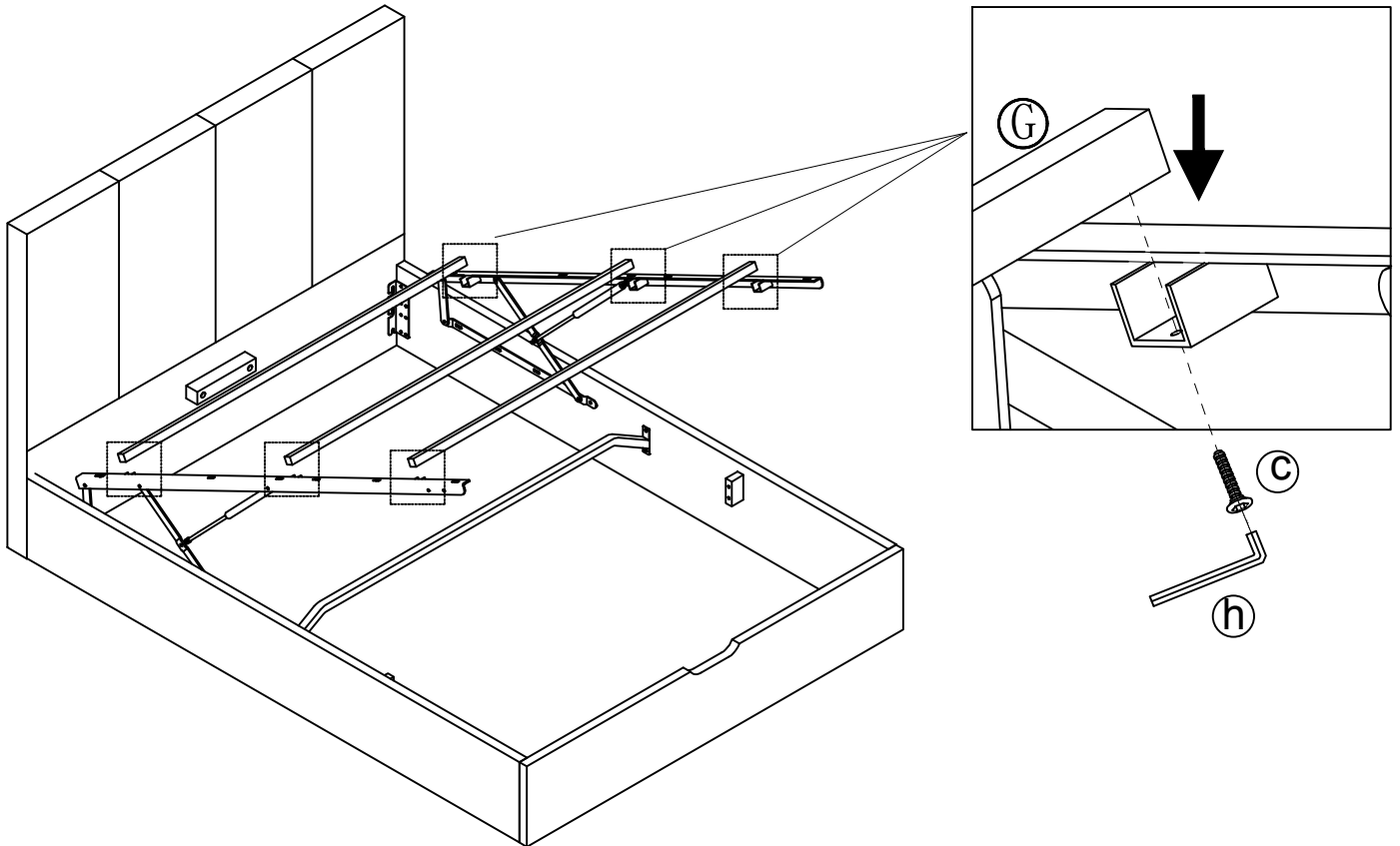
4

Fit the support rail (D), support bracket (M) and stay bracket (L) to the side rails using hardware (a),(c),(d),(h)&(i) as shown.

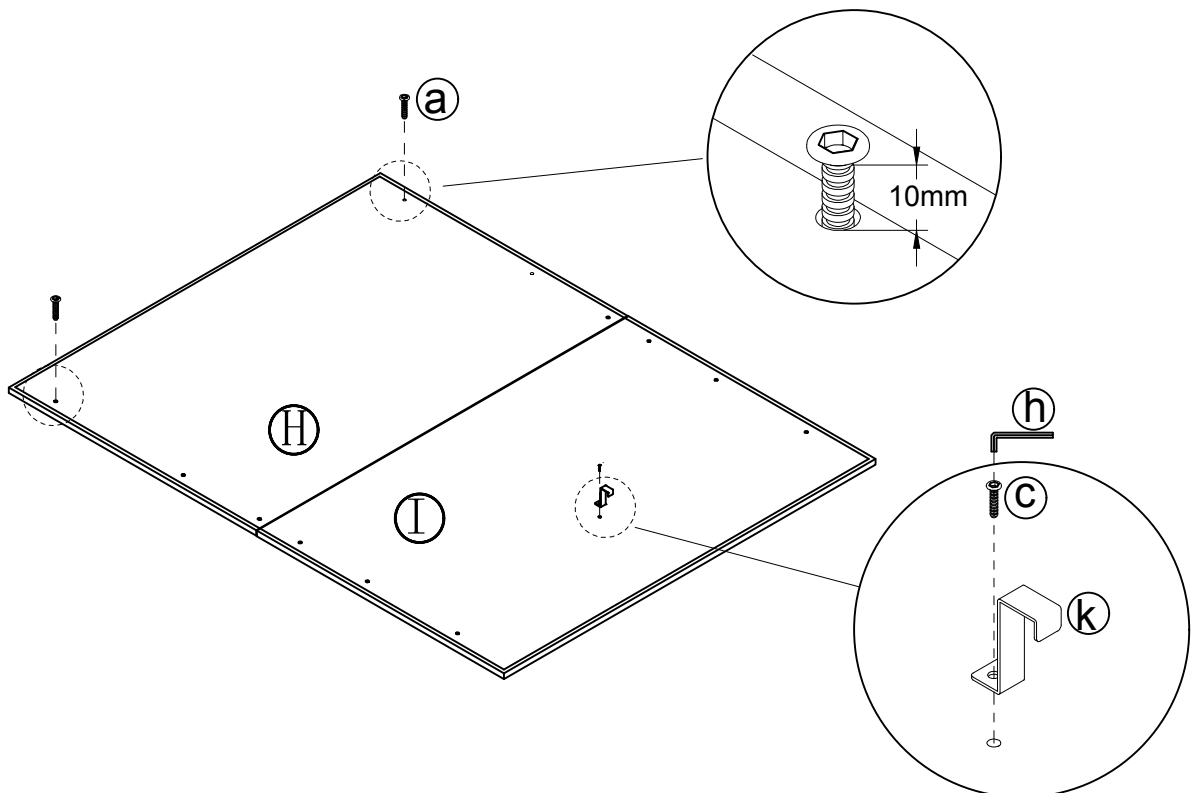


# Ottoman Assembly

- 5** Fit the cross rail (G) to the slat frame support bar using hardware (c),(h) as shown. Do not tighten the bolts before lift base assembled.

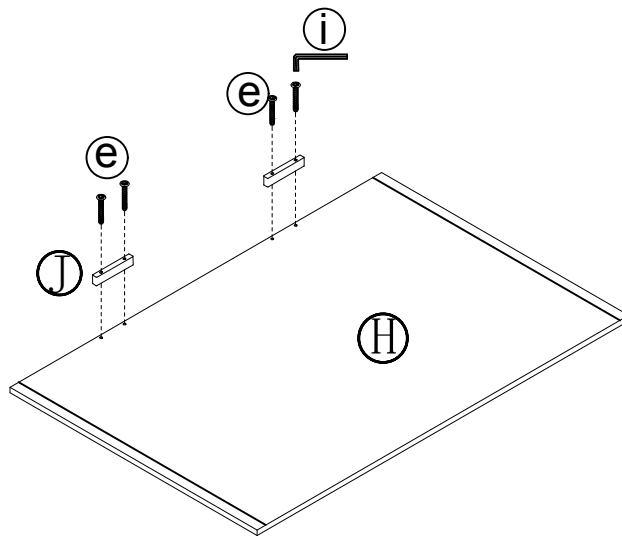


- 6** Fit the bracket (k) to the bottom of back lift base (I) using hardware (c),(h) as shown. Fit the bolt (a) to the bottom of front lift base (H), leaving 10mm gap as shown.

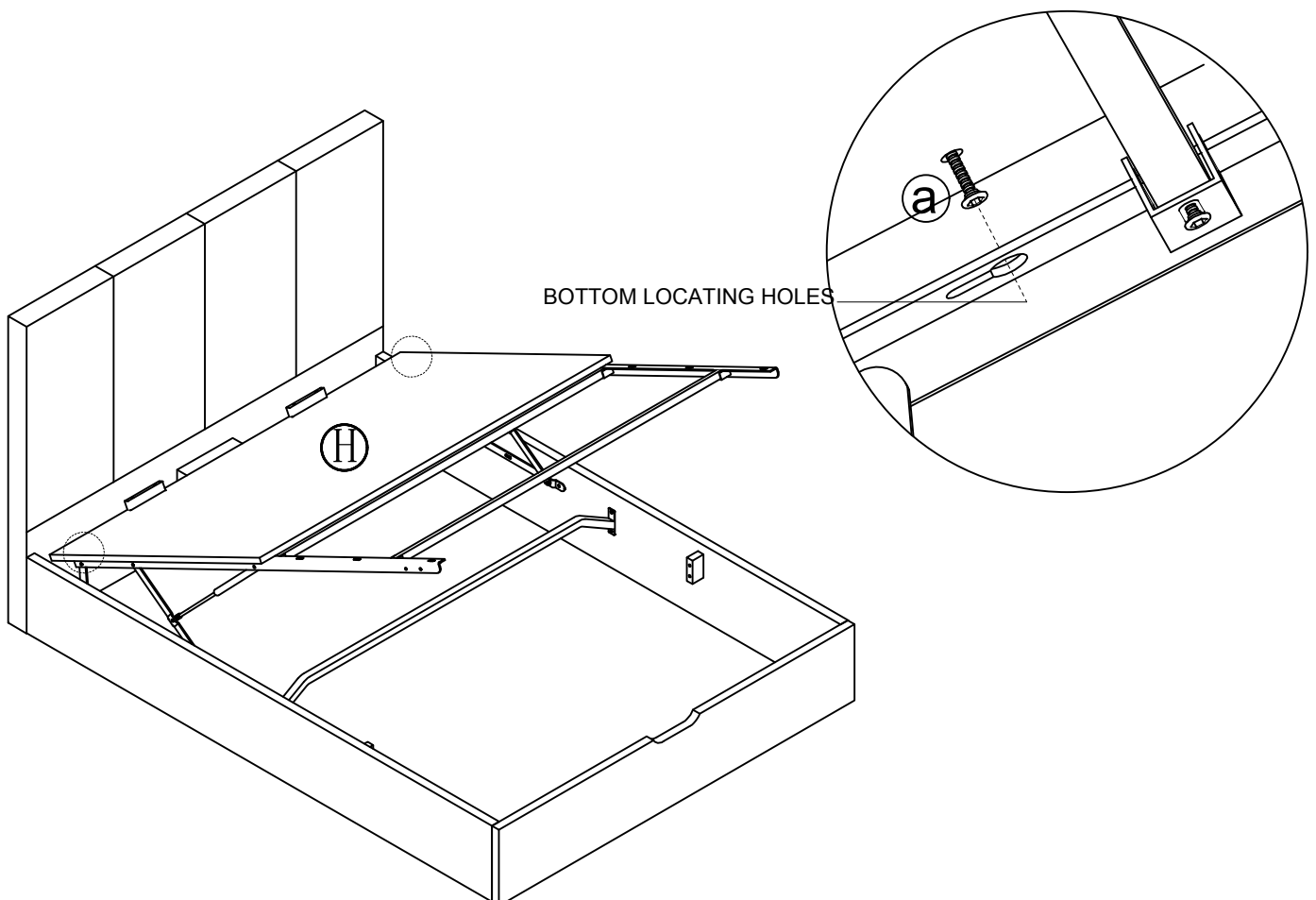


## Ottoman Assembly

- 7** Fit the mattress support rail (J) to the front lift base (H) using hardware (e),(i) as shown.



- 8** Attaching the front lift base (H) to the support bar through the locating hole as shown.

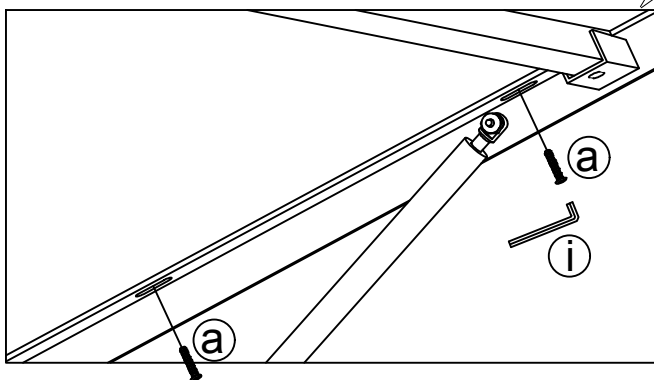
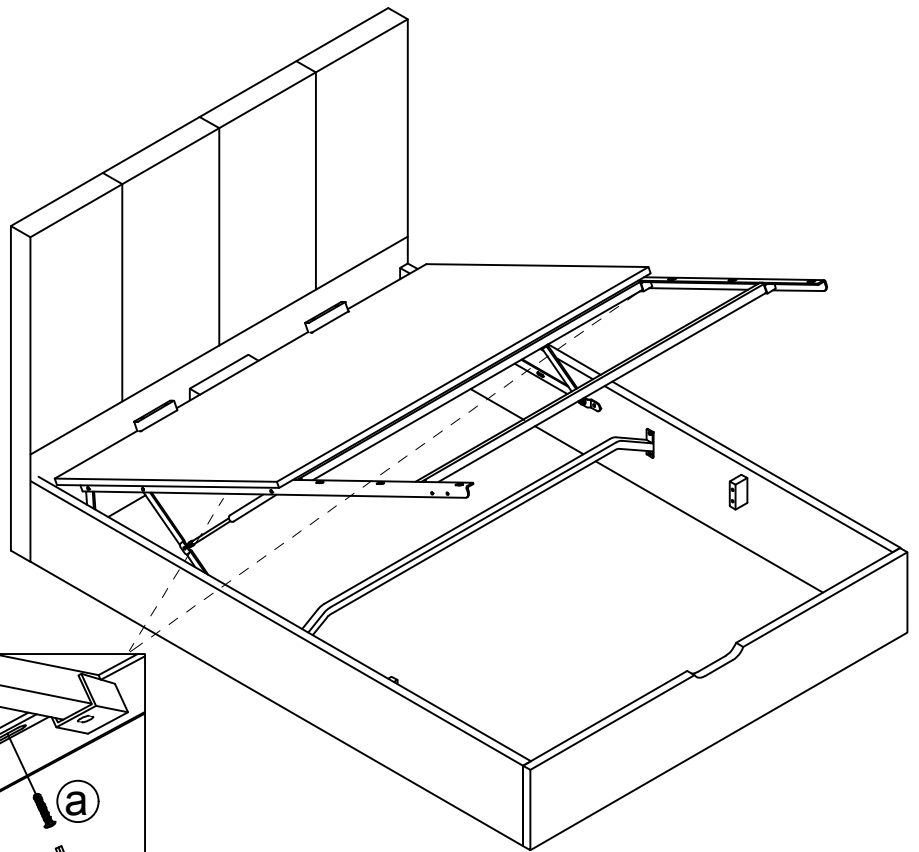




# Ottoman Assembly

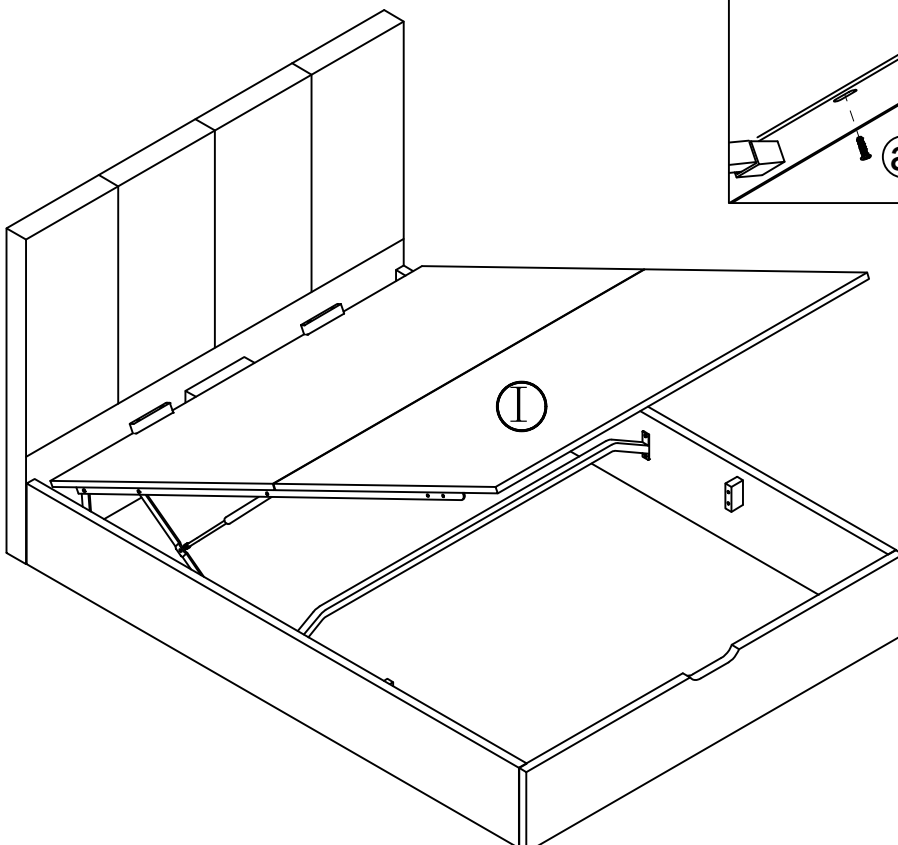
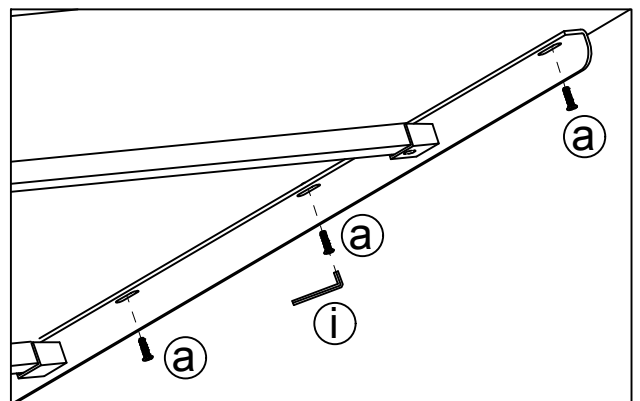
9

Fit the front lift base using hardware (a),(i) as shown. Do not tighten the bolts.



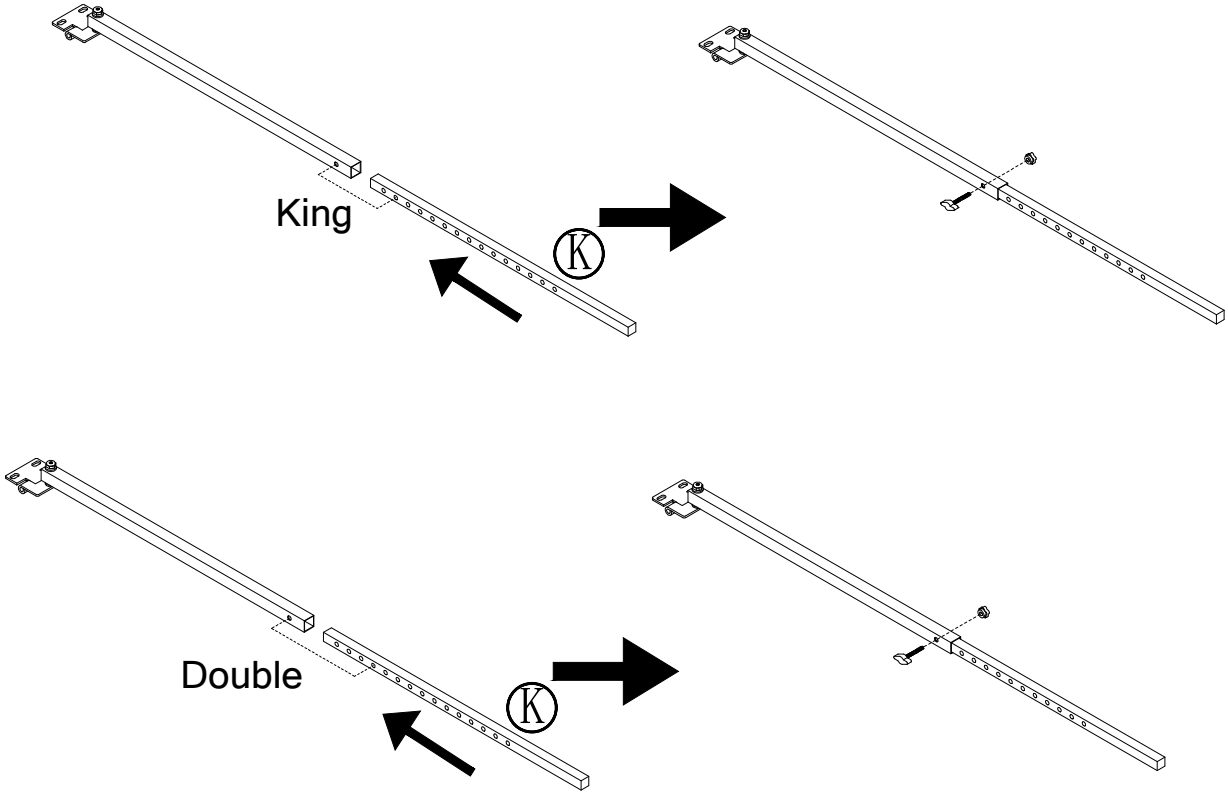
10

Fit the back lift base to the support bar using hardware (a),(i) as shown. Tighten all bolts (a),(c) in this step.

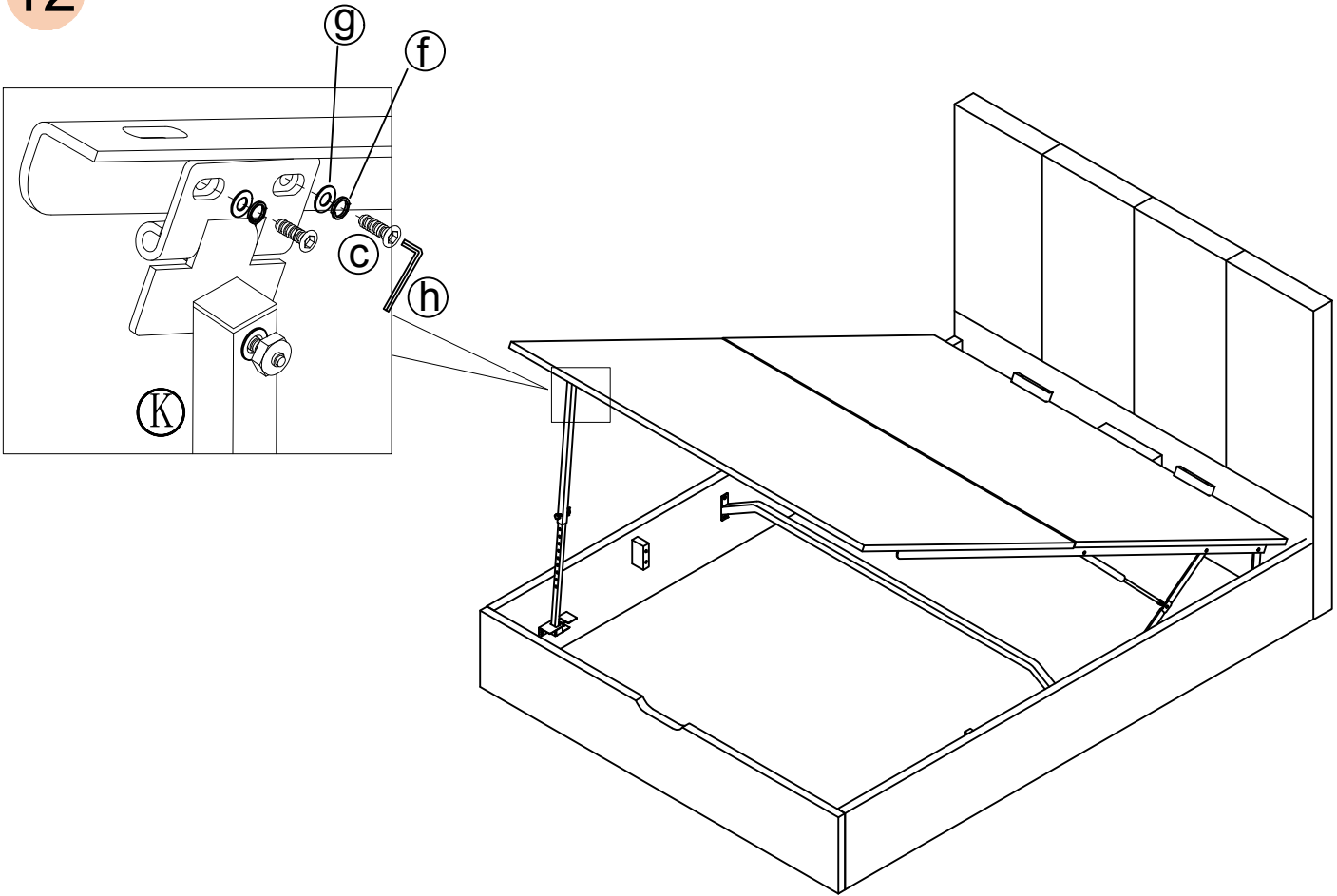


# Ottoman Stay bar Assembly

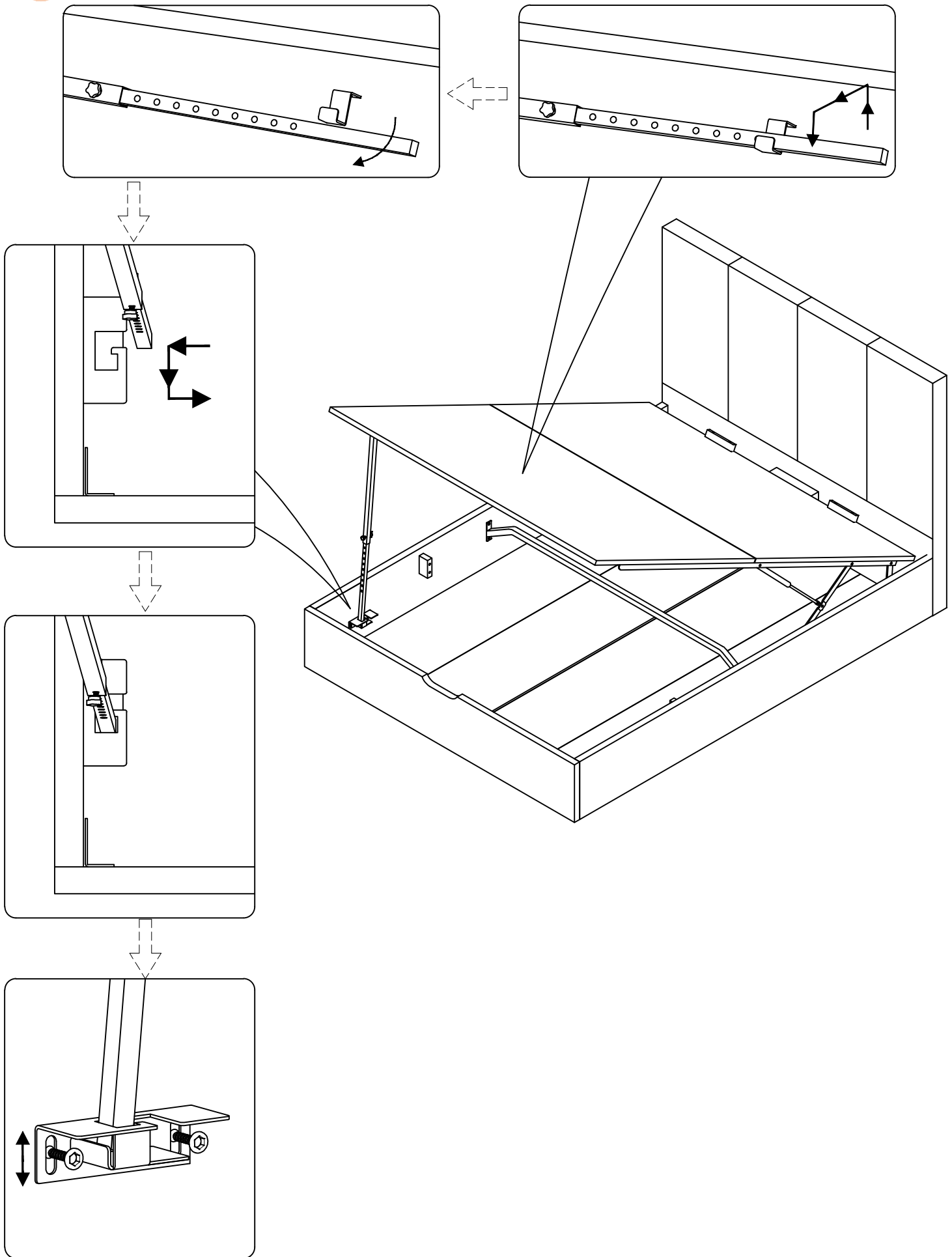
11



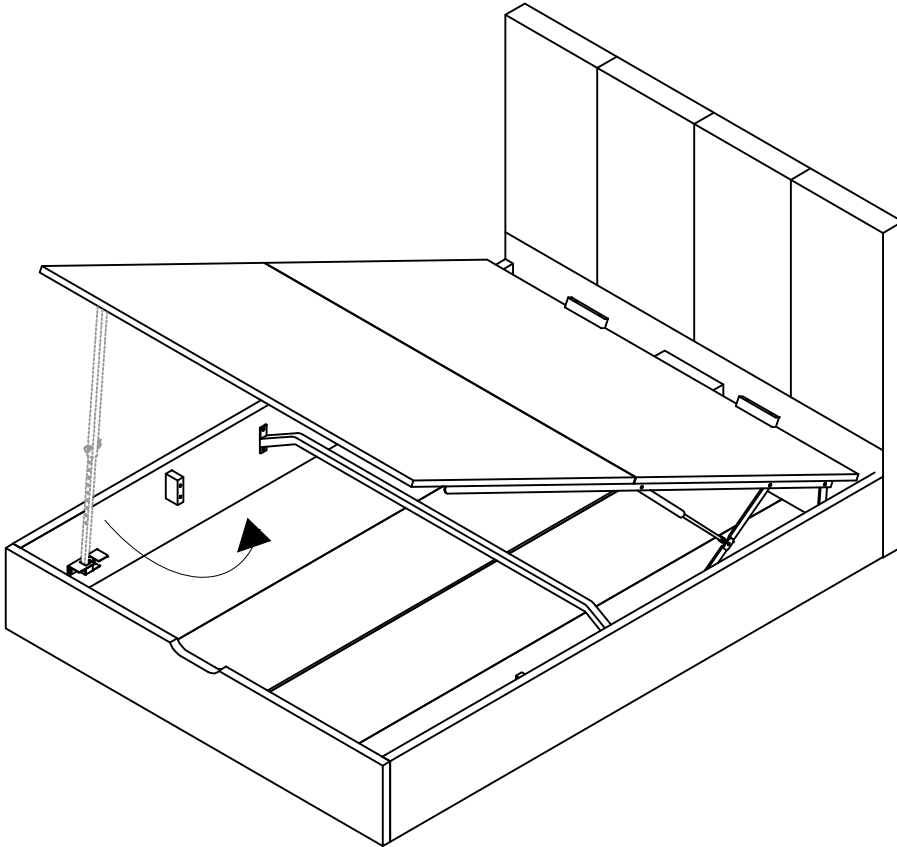
12



13

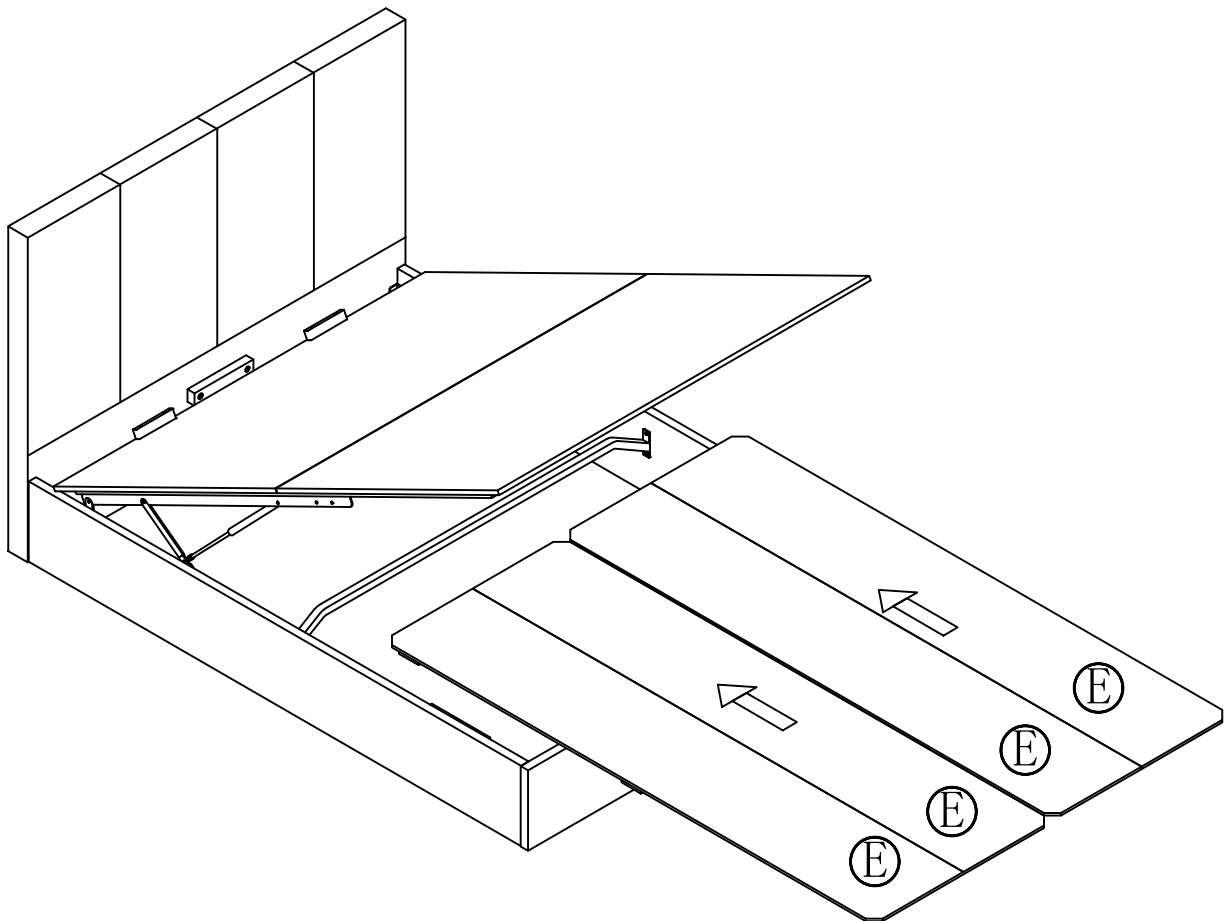


14

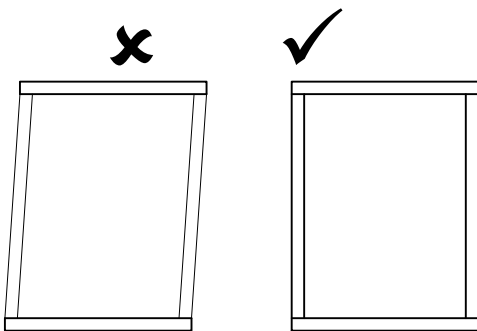
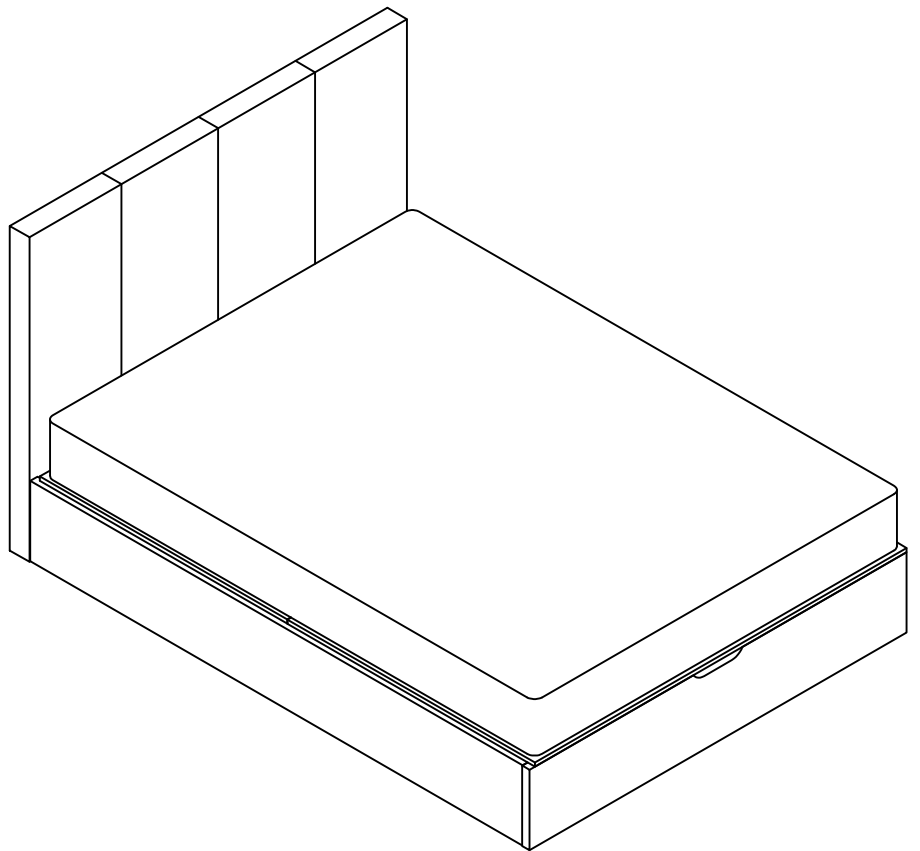
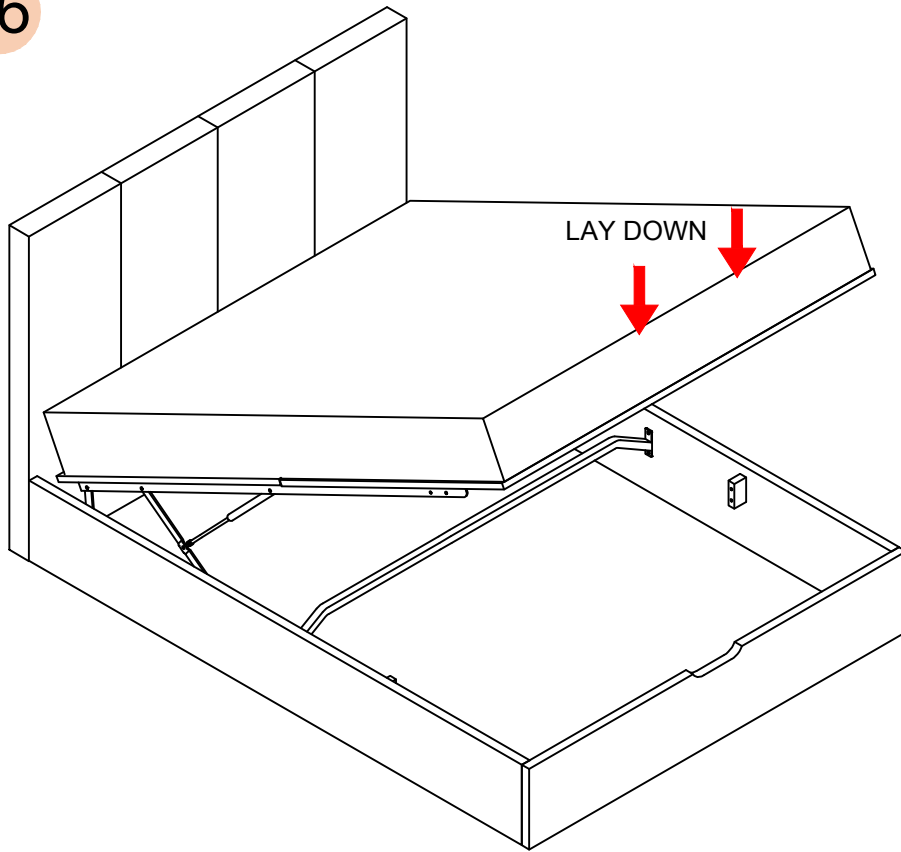


15

Position base boards (E) into the bed frame



16

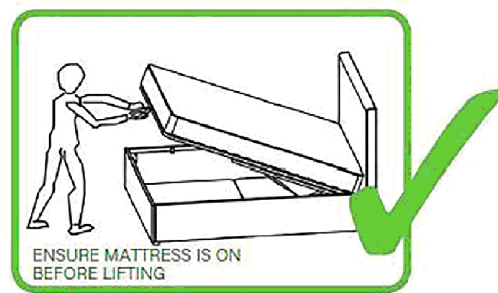


Make certain the bed is squared up  
as shown in the diagram then tighten all  
bed assembly bolts 100%

## Warning

- You must ensure that the mattress is on the bed frame before operating the lift mechanism - Failure to do so could result in injury.
- Keep hands clear of the mechanism when opening or closing the ottoman.
- Beware of entrapment - Never reach in through the mechanism to access the storage area.
- Always engage the support bar when accessing the storage area.
- Always ensure that the ottoman is FULLY opened before accessing the storage area.
- Do not exceed the maximum weight as specified in the table below:

Bed	Bed Size	Piston strength (N/M)	Min Weight (kg)	Max Weight (kg)
Acton (manual)	Double	900	20	40
	King	1000	25	55

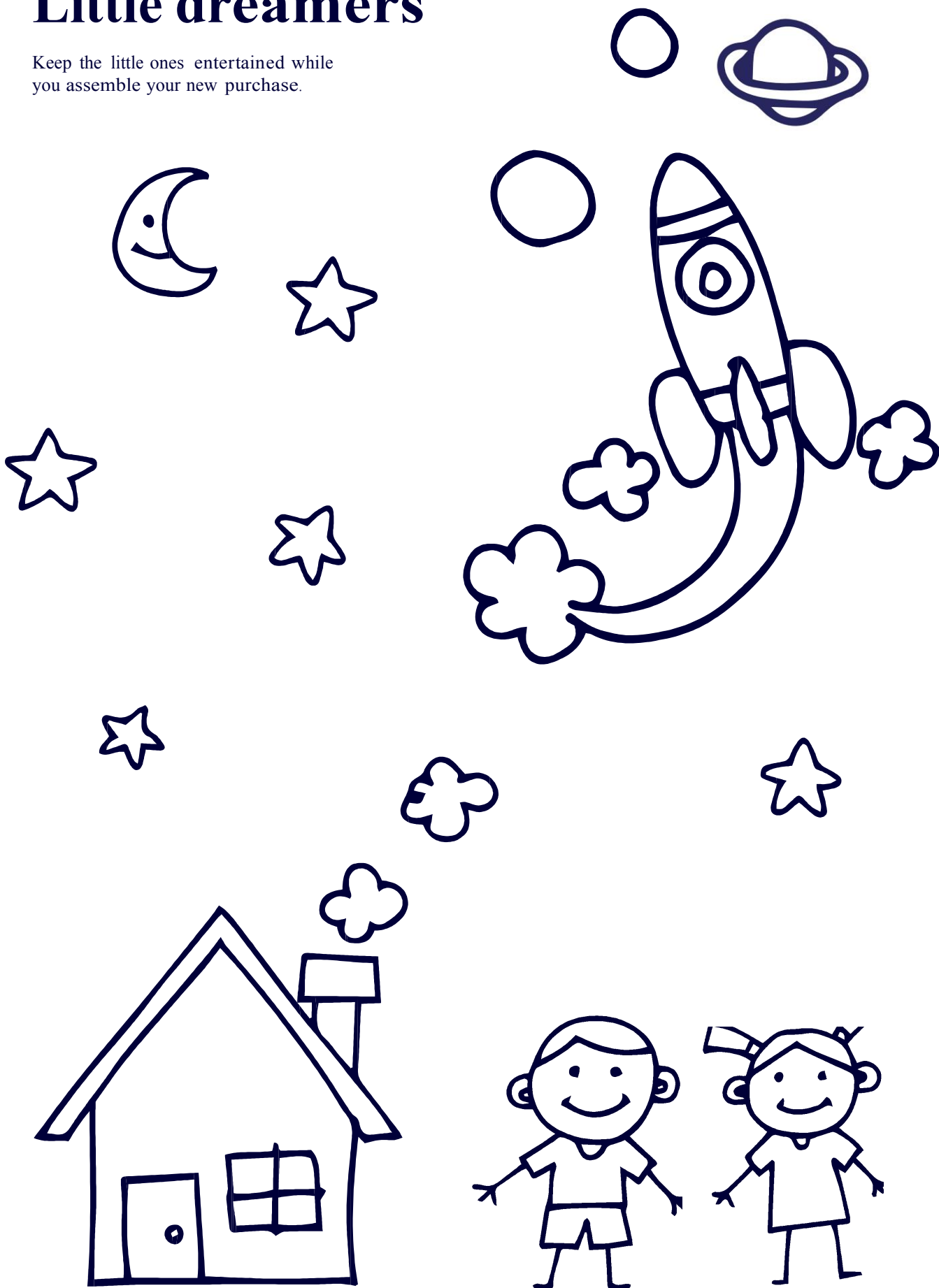


- Use caution when operating, always use the handle when lifting.
- Note: This bed uses a pressurised mechanism.
- To be operated by adults only
- Please ensure that children and pets are kept away from the bed when operating the lift mechanism.
- Keep children and pets away from the storage area.
- Do not overload the internal storage base.
- Do not stand inside the internal storage area of the bed.
- Before removing the mattress secure the frame to ensure it does not open unexpectedly.
- Do not attempt to lie on the mattress when the ottoman is in the raised position.
- When lifting the ottoman remove all bedding except the fitted sheet.



# Little dreamers

Keep the little ones entertained while you assemble your new purchase.



# Dreams

Love your bed