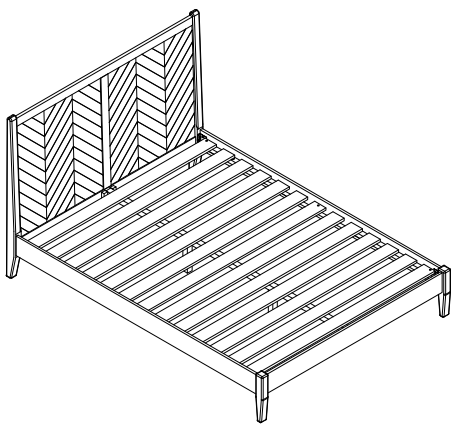
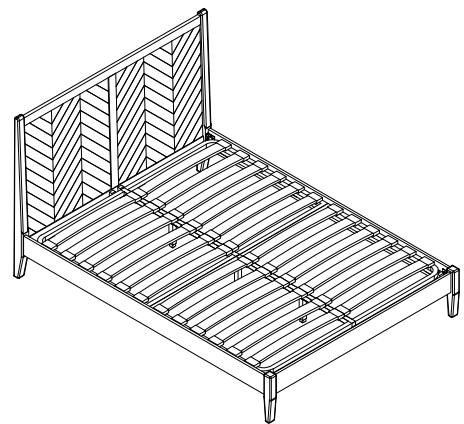


PAXTON DOUBLE AND KING BED

Assembly Instructions



Solid Slats



Sprung Slats



1/2 hour approx
assembly time



Two person
assembly

Dreams
COUNTRY LIVING

Thank you

Hello, thanks for choosing to purchase your bed from Dreams - you're now on your way to your best ever night's sleep. Before you begin building your bed, please take a moment to read through the instructions and make sure that you've got all the relevant parts listed on the following pages.



Assembly tips

Before you begin, it's best to identify all parts and fittings to build your bed. We advise laying these out on the floor to check you have everything, and familiarising yourself before building.



Top tip

We recommend that you build your new bed in the room you'd like it to be located - this will help prevent any risk of damage to your newly built bed whilst moving it.



Safety and care

It's really important to ensure children and animals are kept away from the assembly area, as there are small components used in this bed which could present a choking hazard. All plastic and wrapping materials should also be kept away from children and animals to prevent any risk of suffocation. To keep your little ones busy, there is a colouring page inside the back cover.



Help and support

At Dreams, it's our mission to give the whole nation a great night's sleep - this means that the quality of our products is of utmost importance to us. If there are any issues with your product or any missing parts, please visit our website at www.dreams.co.uk/help



Recycling

Please ensure that packaging is disposed of in a safe and environmentally friendly way, and recycle where possible. Our assembly instructions are printed on recycled paper. Please keep your assembly instructions safe to refer back to in the future.

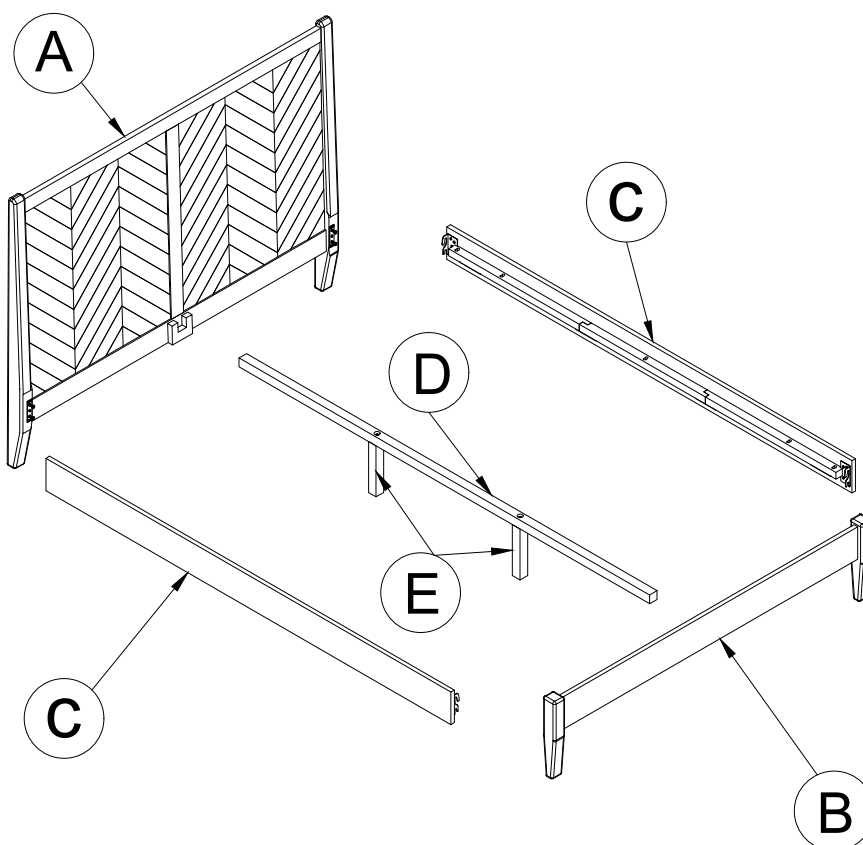
Parts

Important information

Please identify which base you have purchased with your bed frame as the assembly method may change. Once you have identified you have all of the relevant parts fittings, please follow the instruction for your chosen base below;

Solid Slats
Sprung Slats

Page (7)
Page (8,9,10)



Parts List

A.	Headboard	1
B.	Footboard	1
C.	Side Rails	2
D.	Support Rail	1
E.	Middle Legs Support	2

Fittings

Please check you have all the parts listed below with your product:

F



Bolt M6x45mmx8pcs

G



Sleeve Nut M6x20mmx6pcs

H



Flat Washer 8pcs

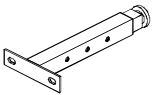
I



Allen Key 4mmx2pc

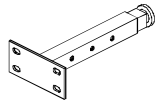
Note: The following fitting will be found in the box which contains the Sprung Frame, NOT with the bed frames Assembly Kit

J



Center Legs x1pc

K



Center Legs x2pcs

L

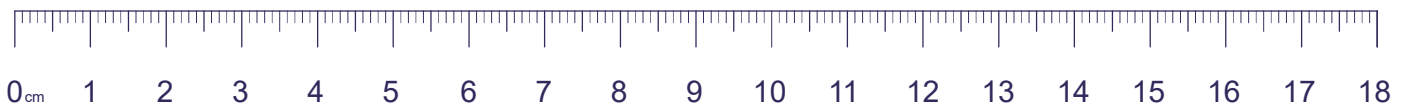


M6x12mmx8pcs

I



Allen Key x 1pc



Tools required

Please check you have all these below:



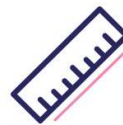
Flathead screwdriver



Scissors



Spanner

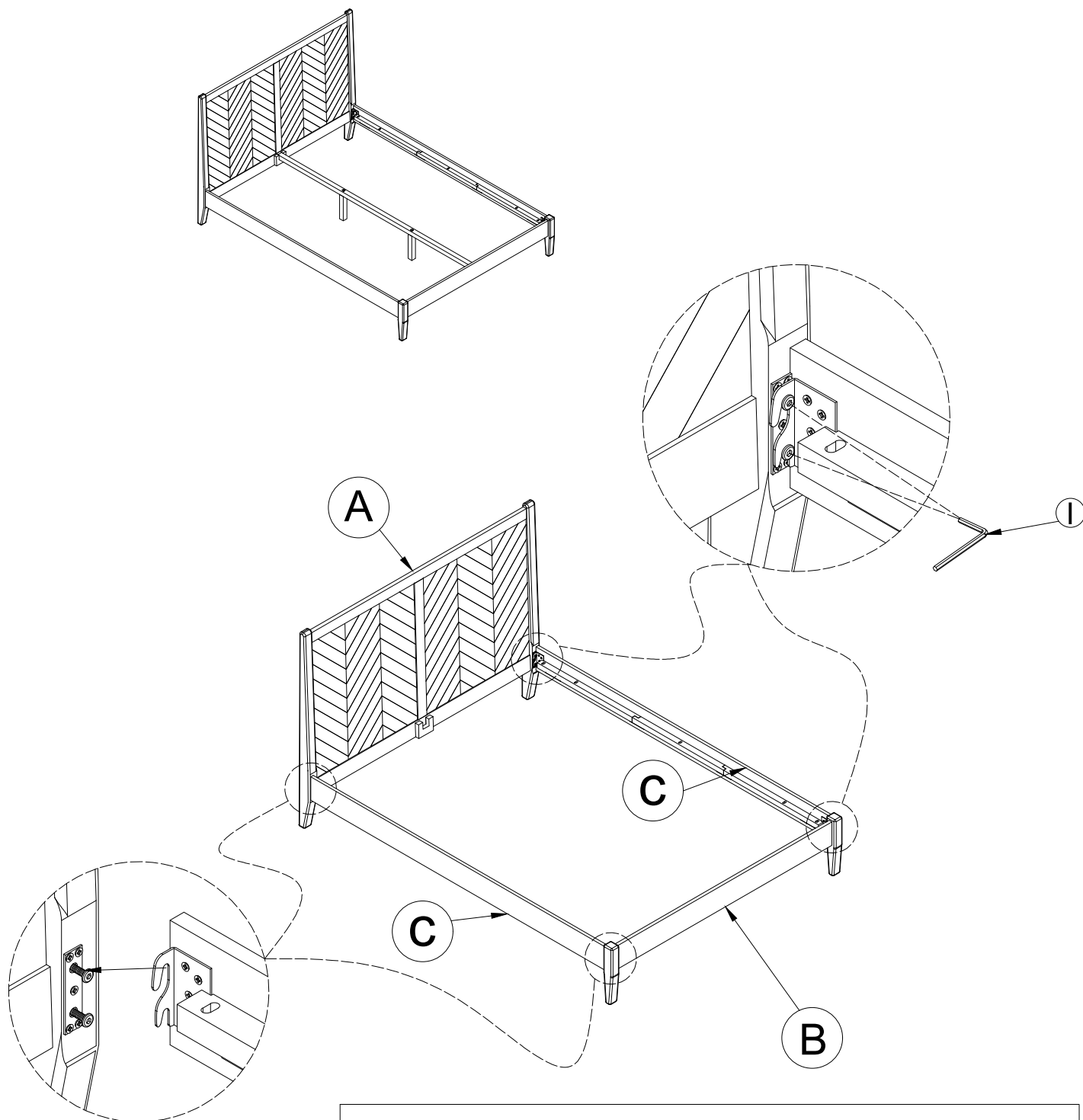


Tape measure



Cross head screwdriver

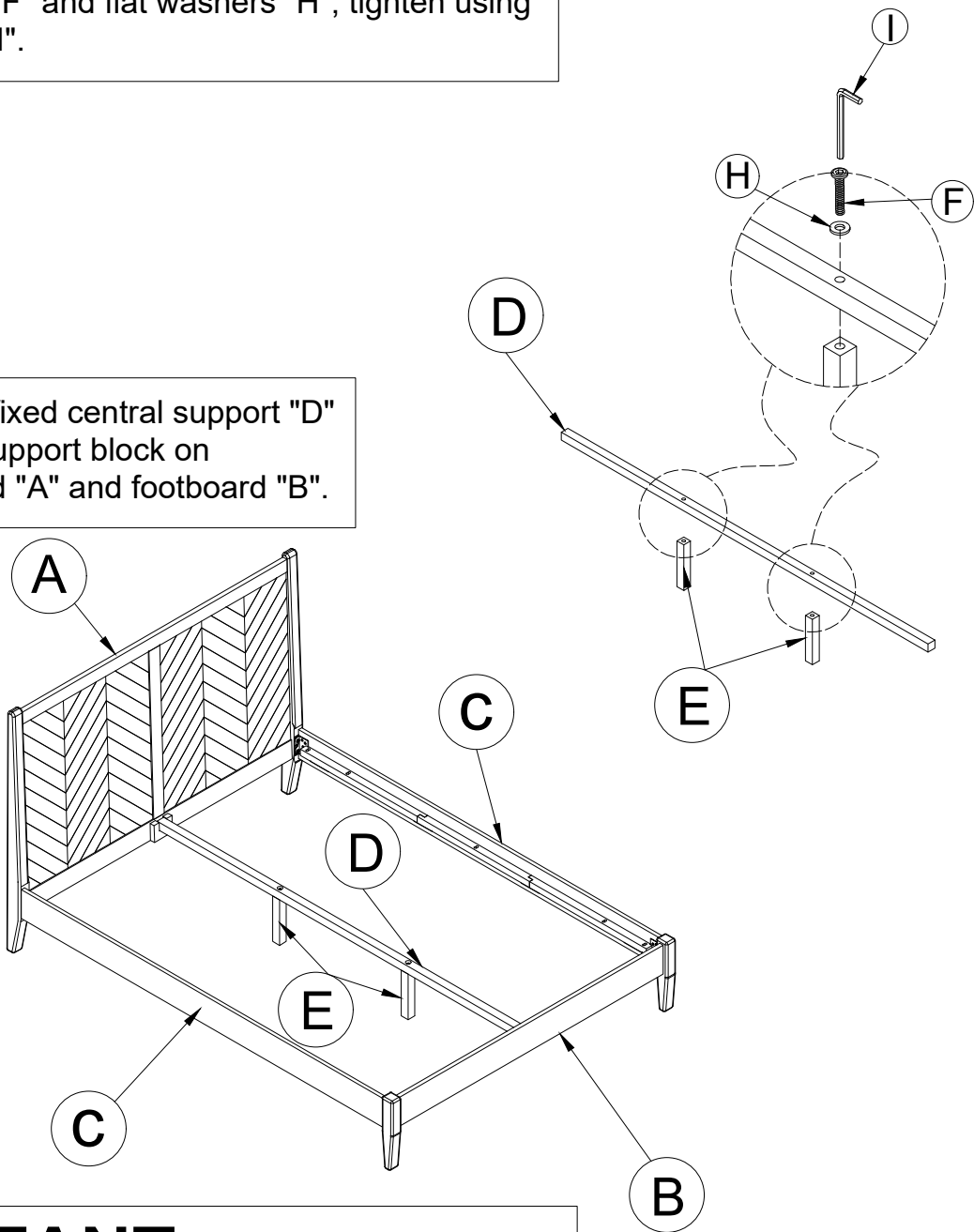
ASSEMBLY



- Use Bolt (mounted on the Headboard and Footboard) to fix the Side Rail (C) onto Headboard (1) and Footboard (2) by using Allen Key (I).

Attach central support "D" to support feet "E".
Use bolts "F" and flat washers "H", tighten using allen key "I".

Place the fixed central support "D" onto the support block on Headboard "A" and footboard "B".



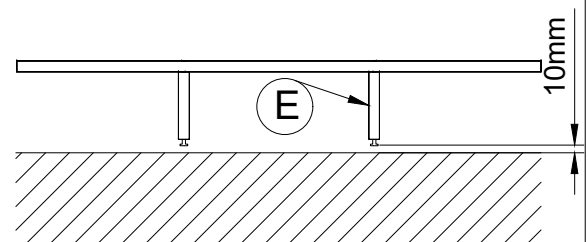
IMPORTANT

Once the feet have been assembled and attached, They should be adjusted to ensure they do not touch the floor, (10mm above the floor) to allow for movement once the mattress is placed on the bed frame.

It is important to note that when moving the bed that it is not dragged into its new position to prevent the possibility of these feet being twisted or angle to one side, which could lead to the collapse of the centre of the legs.

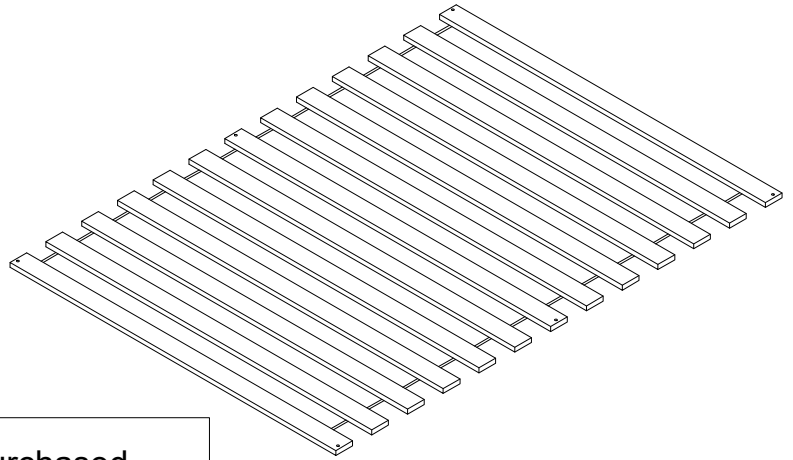
To move the bed, remove the mattress and lift the bed into its new position to avoid damage.

Ensure the feet are at degree to the floor before repacing the mattress.

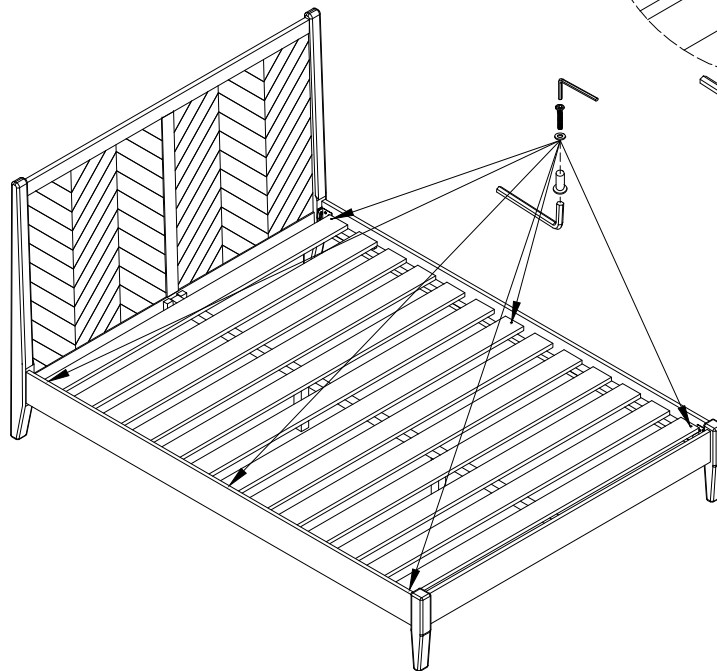
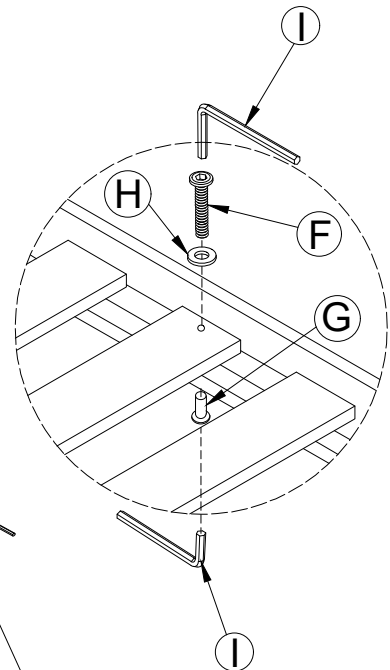


Solid slat assembly

1



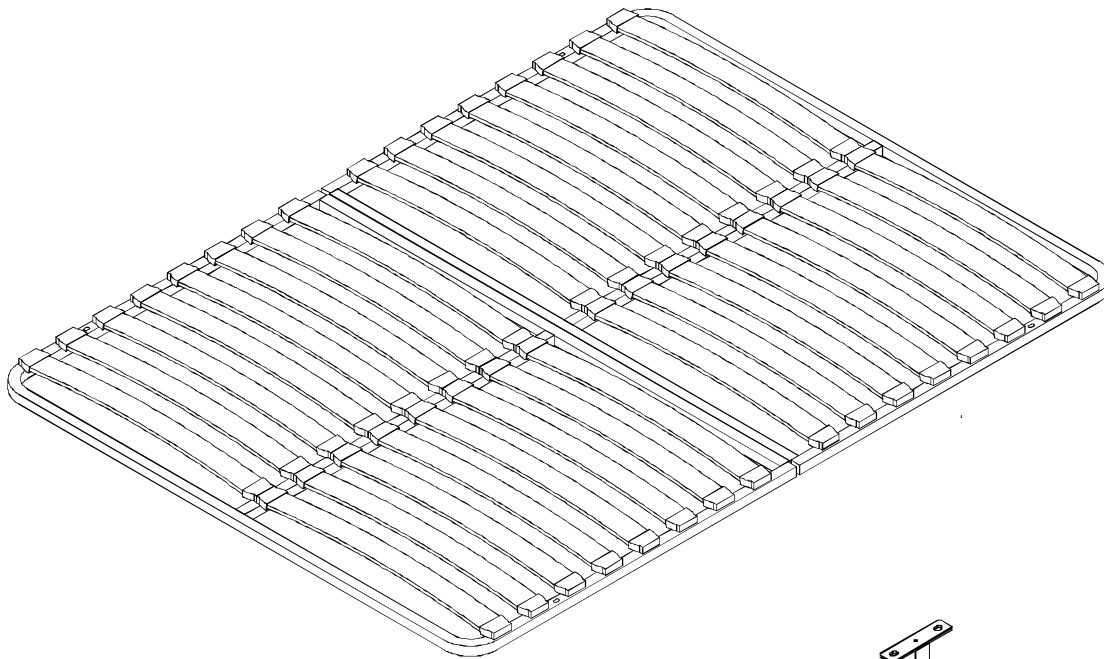
Identify the slat system you have purchased...
Standard wooden slat system.
Place the fixed wood slats onto the slat holders on side rails "C".
Fix the slats at both ends and the middle using bolts "F", sleeve nuts "G", tighten with key "I".



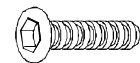
Sprung slat assembly

1

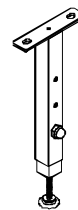
Sprung slat system



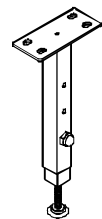
Lx8



Jx2



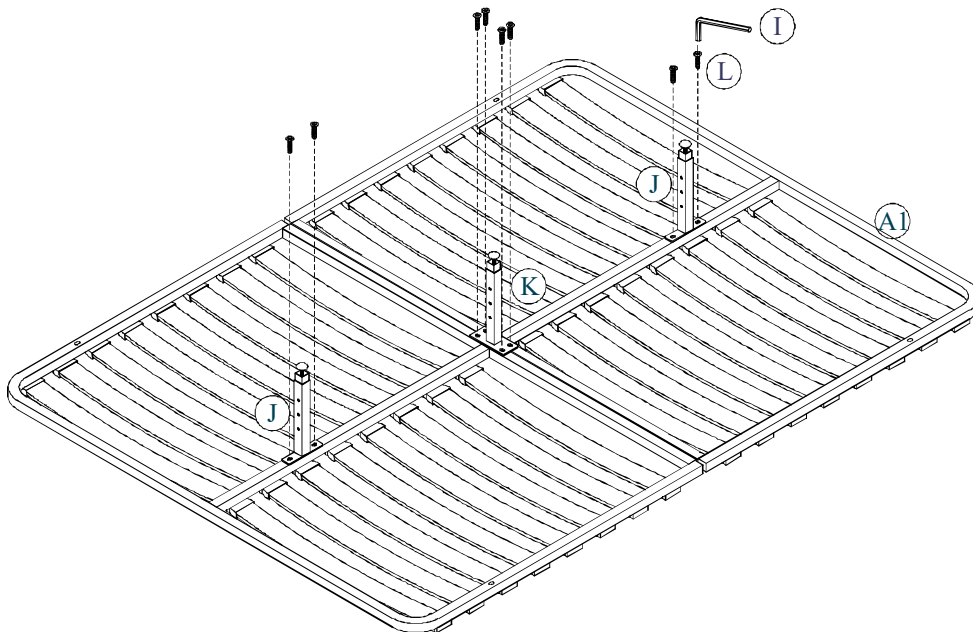
Kx1



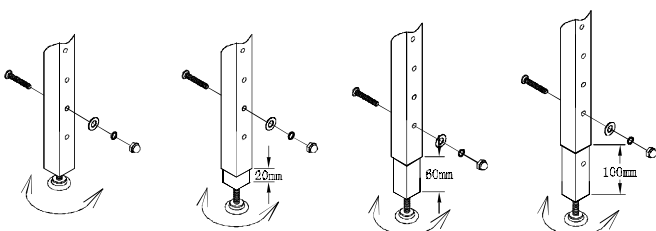
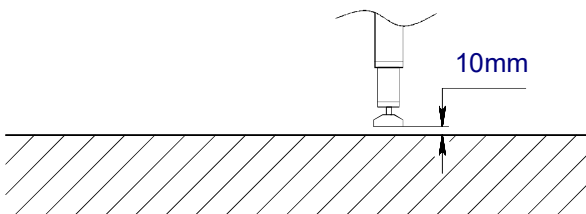
Sprung slat assembly

2

Fix the center legs to the frame.
Used bolts "L", tighten using allen key "I"



Adjust leg height to suit bed frame



Sprung slat assembly

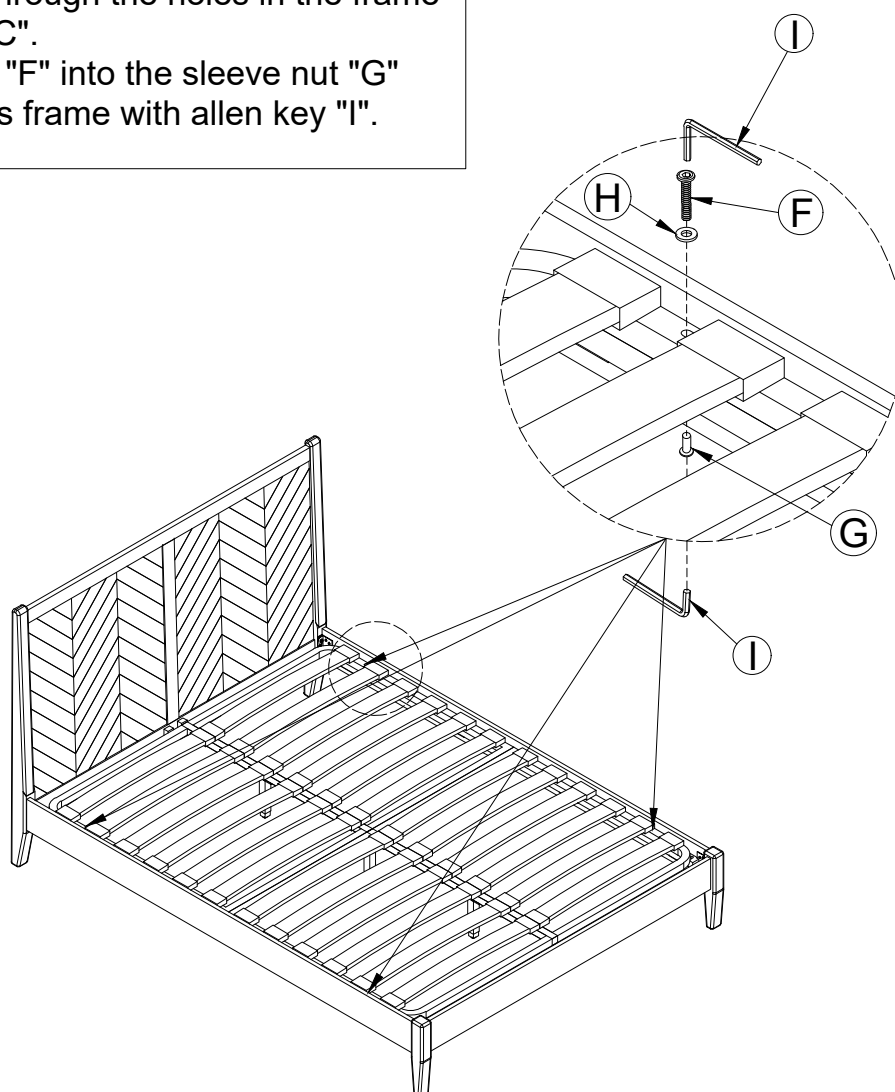
3

Turn the metal slat frame falling upward and carefully lower the slat frame into the bed. Ensure that the frame sits on the guides located on the side rails "C".

Position the slat frame so that the holes in the side rail "C".

Position the slat frame to the side rails "C" by threading bolt "F" through the holes in the frame and the side rails "C".

Finally, tighten bolt "F" into the sleeve nut "G" from the top of slats frame with allen key "I".



Care and maintenance

Here are some tips to keep your new bed in tip-top condition



Cleaning

To clean your new bed, we'd advise using a warm damp cloth - please do not use abrasive chemicals or bleach as this may damage the product.



Checking and moving

Periodically we recommend you check that the screws or fixtures haven't been become loose, over time. To move your new bed, we recommend lifting it where possible, as dragging or pushing it could cause damage to your flooring.



Wood

Please note each of our wooden pieces are unique, meaning that markings and shade can vary slightly between beds. Over a period of time, the wood might lighten or fade slightly due to light exposure.



Fabric

Please note depending on the lighting, positioning and surroundings of your room, the shade of the colour can sometimes appear slightly different. Over a period of time, the colour might lighten or fade slightly due to light exposure.



Metal

Metal tends to be more resilient to everyday wear and tear. We recommend to gently dust your metal furniture and keep it dry to maintain its look.

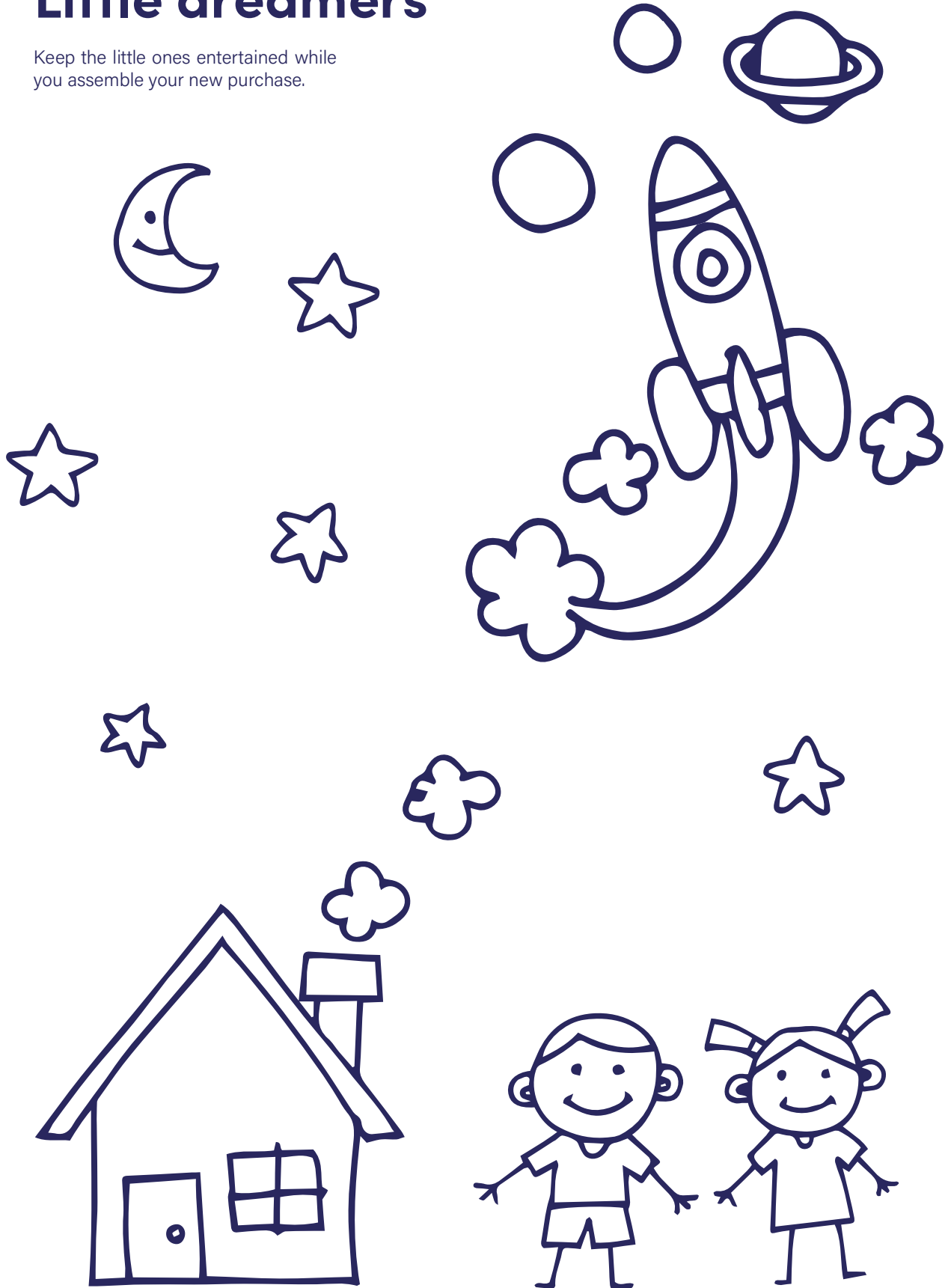
Thank you for shopping with us - we hope you have a great night's sleep

Sleep well



Little dreamers

Keep the little ones entertained while you assemble your new purchase.



Dreams

COUNTRY LIVING