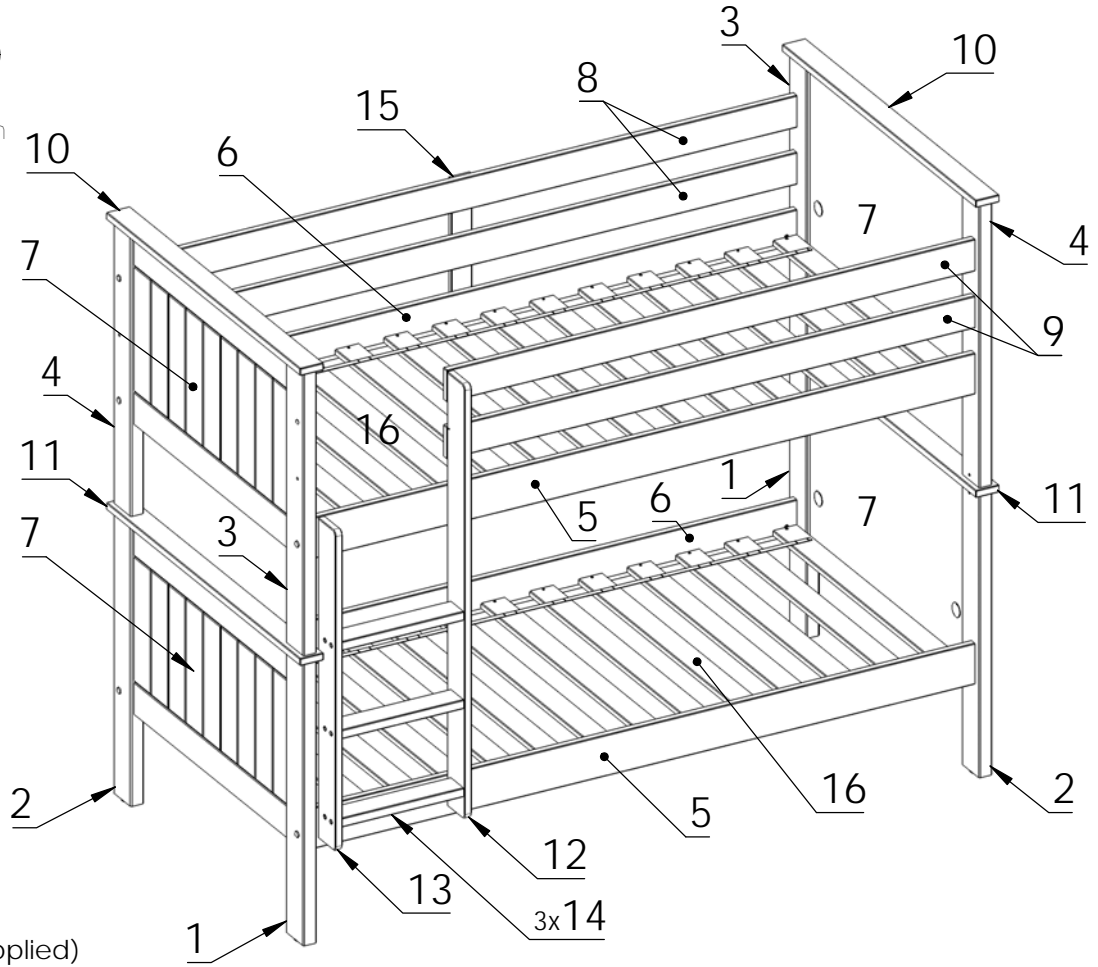
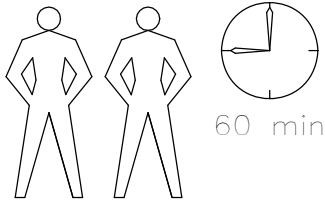
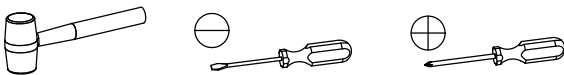


IMPORTANT - READ CAREFULLY - KEEP FOR FUTURE REFERENCE



Tools needed (not supplied)



Ladder can be fitted right or left side.

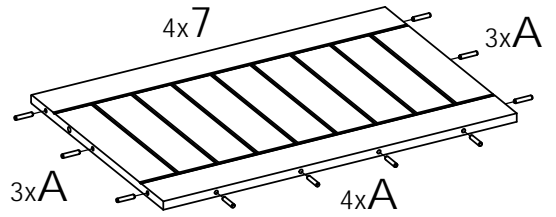
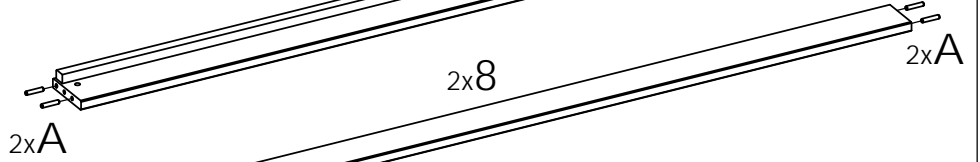
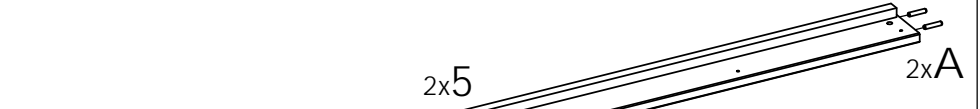
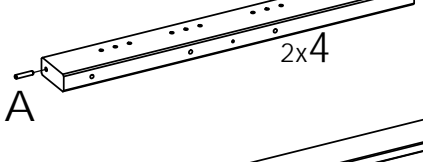
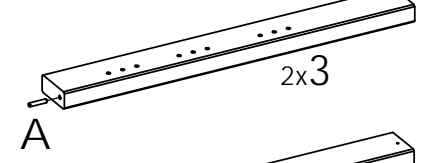
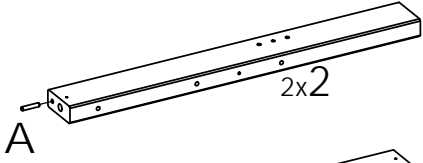
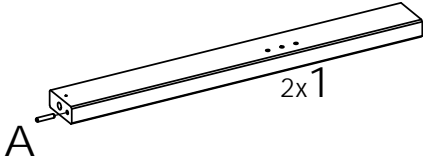
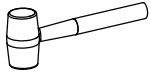
A		8x40	x76
B		12x80	x4
C		M6x75	x14
D		M6x10x13	x14
E		7x50	x12
F		7x60	x8
G		D35	x8
H		57/12,5x5,5	x8
J		7x34	x8
K		15x12	x8
L		5x30	x6
M		3,5x40	x56


N		4,2x35	x8
P		D4x13	x12
R		D8x13	x16
Q		D12x18	x4
S		D35x12	x8
T		D15x18	x14
U		D13	x6
V		D20	x8
X		27x3	x8
Y		71x30x3	x2
Z		4mm	x1

IMPORTANT - READ CAREFULLY - KEEP FOR FUTURE REFERENCE

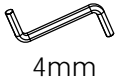
- a) **WARNING** Raised beds and the upper bed in a bunk bed assembly are not good for children under 6 years old because of the risk of injury from falling from such beds,
- b) **WARNING** If the raised and bunk beds are not used correctly, they can present a serious risk of injury from strangulation. Never attach or suspend things from the upper bunk bed that are not going to be used with that bed.
Such things include - but are not limited to - cords, string, sashes, hooks, belts and bags.
- c) **WARNING** Children can find themselves trapped between the bed and wall, or inclined roof wall, ceiling, adjacent pieces of furniture (such as cupboards) or other items.
To avoid any risk of serious injury, the distance between the upper safety barrier and surrounding items should not exceed 75 mm - or the distance should be greater than 230 mm.
- d) **WARNING** Do not use the bunk bed/high bed if a part of the structure is missing or broken. Spare parts should be requested from the manufacturer or shop.
- e) It is essential that the manufacturer's instructions on assembly and use are followed.
- f) The recommended size of the mattress to be used with the bed is 1900mm x 900mm, Maximum mattress thickness: 228mm
- g) Mattresses must be aired to maintain a low humidity and to stop moisture building up in the bed and its surroundings.
- k) The fastenings put in place on assembly should all be properly tightened and regularly checked. Retighten the fastenings as necessary.
- l) This complies with the requirements of the European Safety Standard NF EN 747+A1: 2015.
- m) The presence of a night light could give more safety for a child sleeping in an upper bed.

1

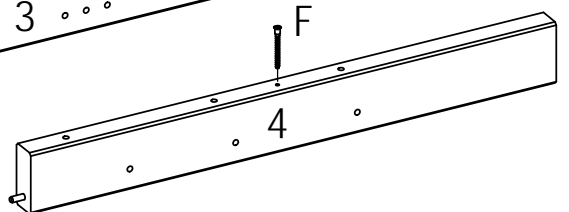
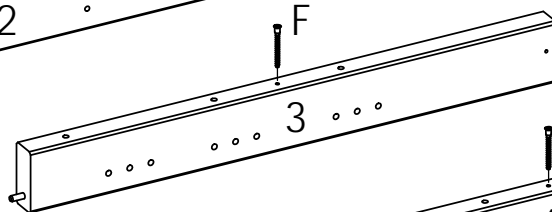
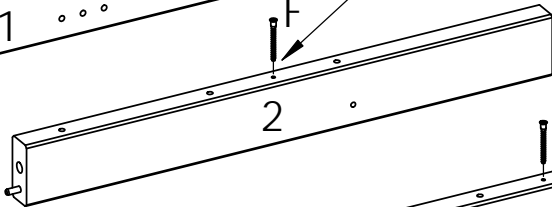
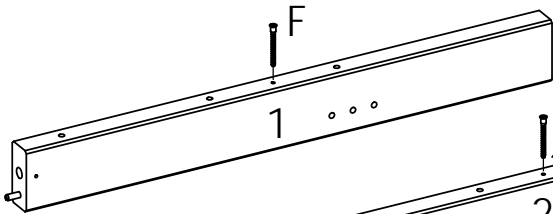
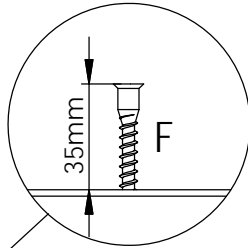


A		8x40	x76
---	---	------	-----

2

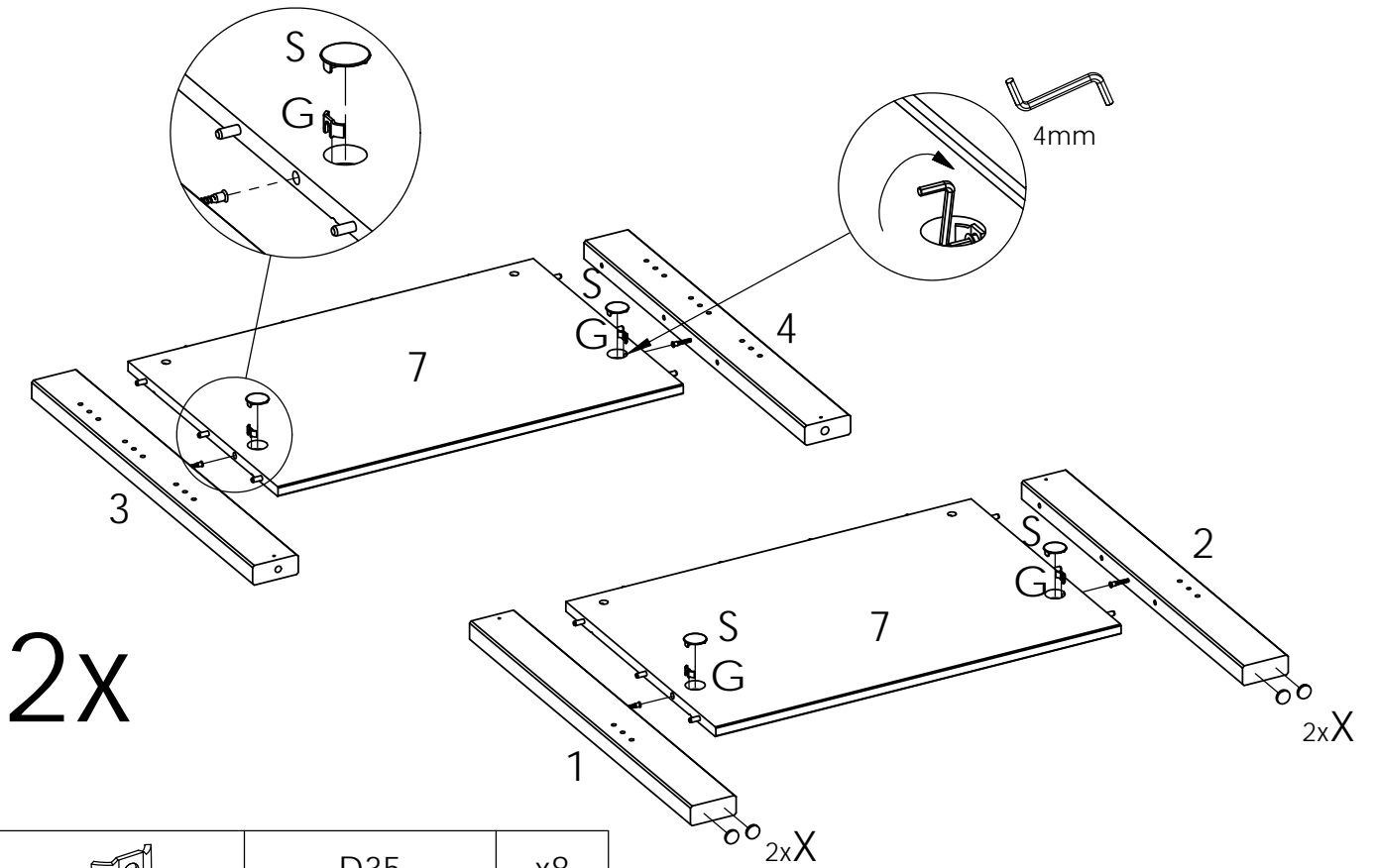


4mm





F		7x60	x8
---	--	------	----

3

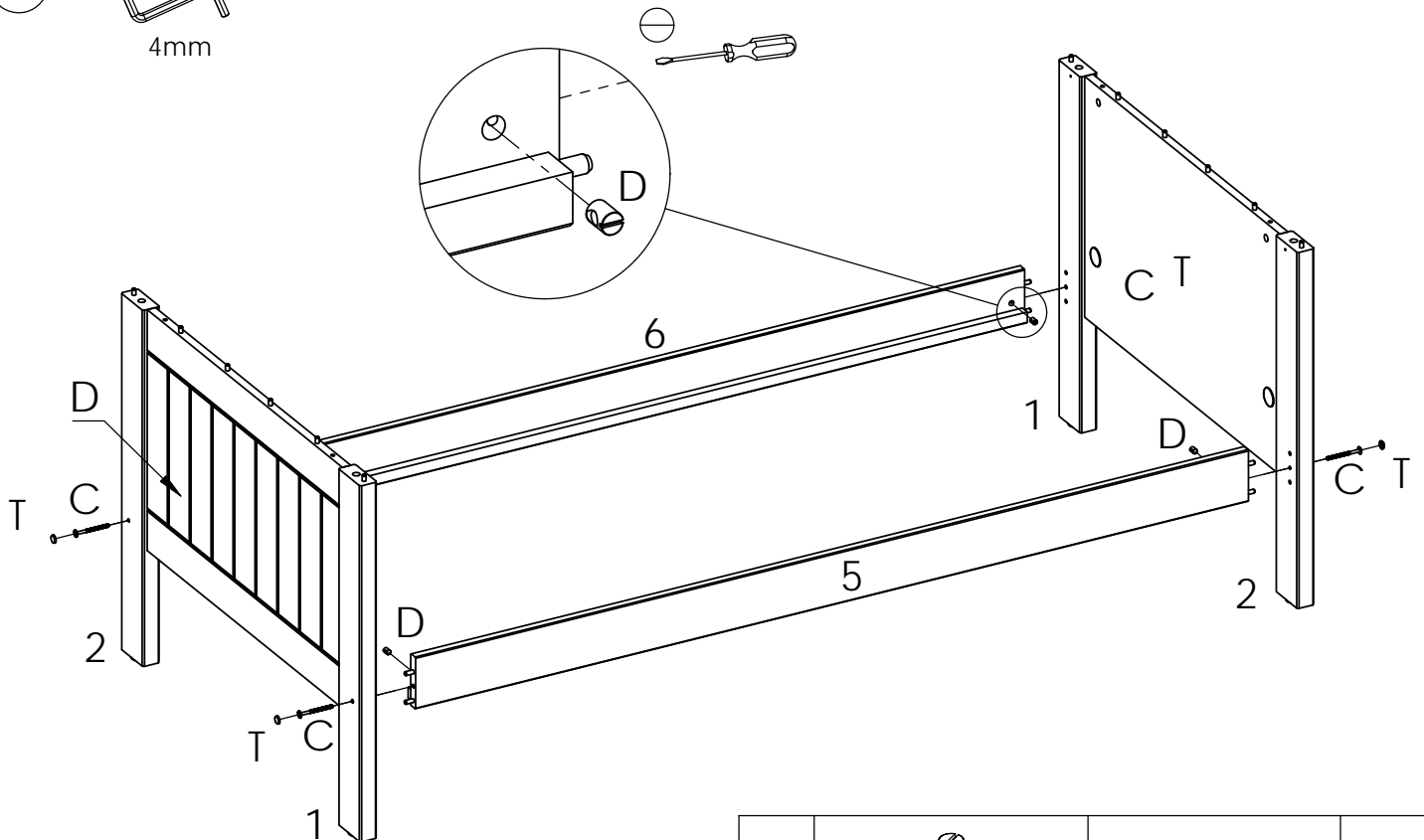
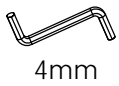



2x



G		D35	x8
S		D35x12	x8

X		27x3	x8
---	---	------	----

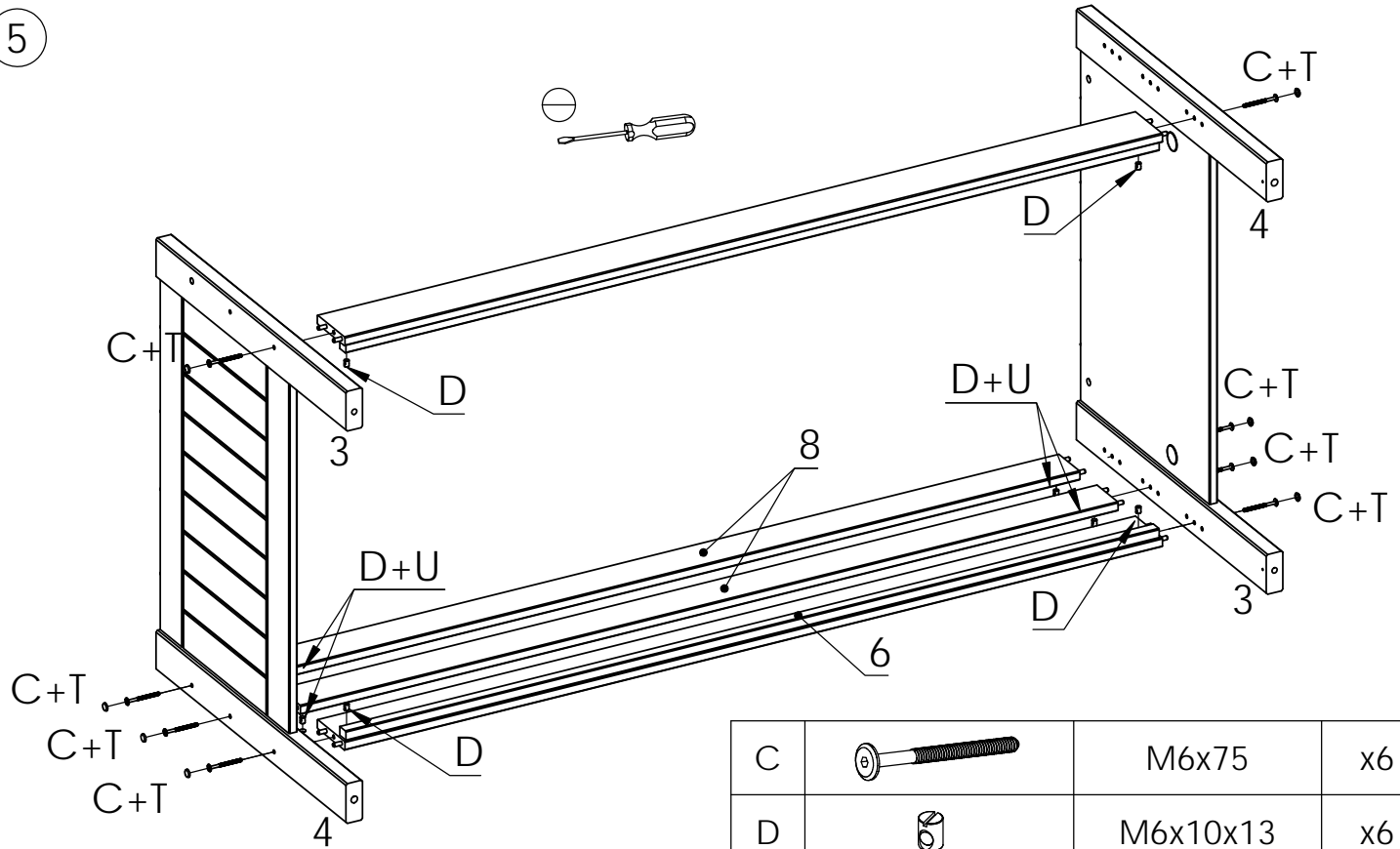
4







C		M6x75	x4
---	---	-------	----

D		M6x10x13	x4
T		D15x18	x4

5

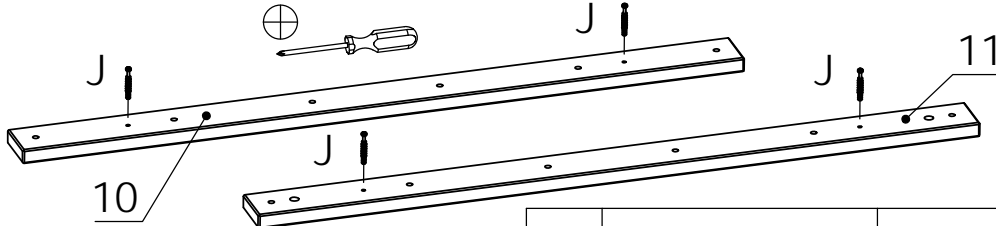



C		M6x75	x6
D		M6x10x13	x6
T		D15x18	x6

U		D13	x4
---	---	-----	----

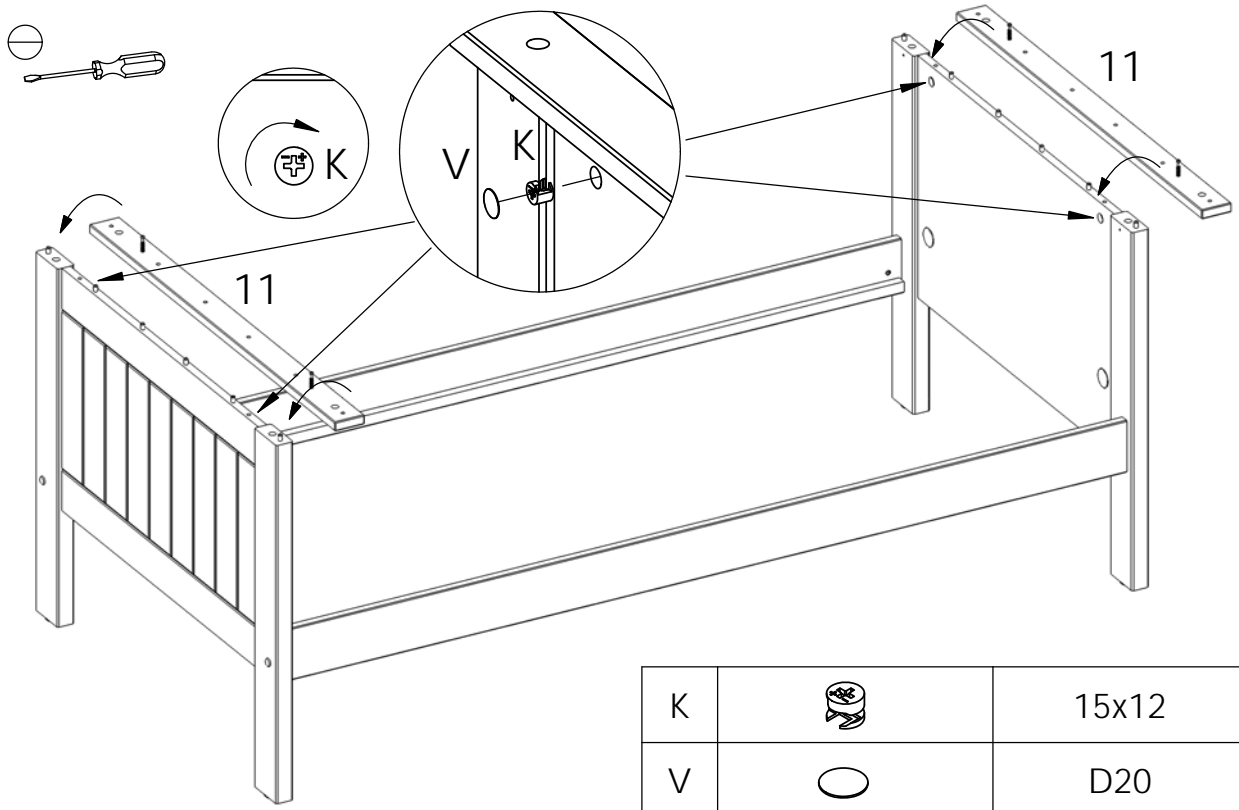
6



2x



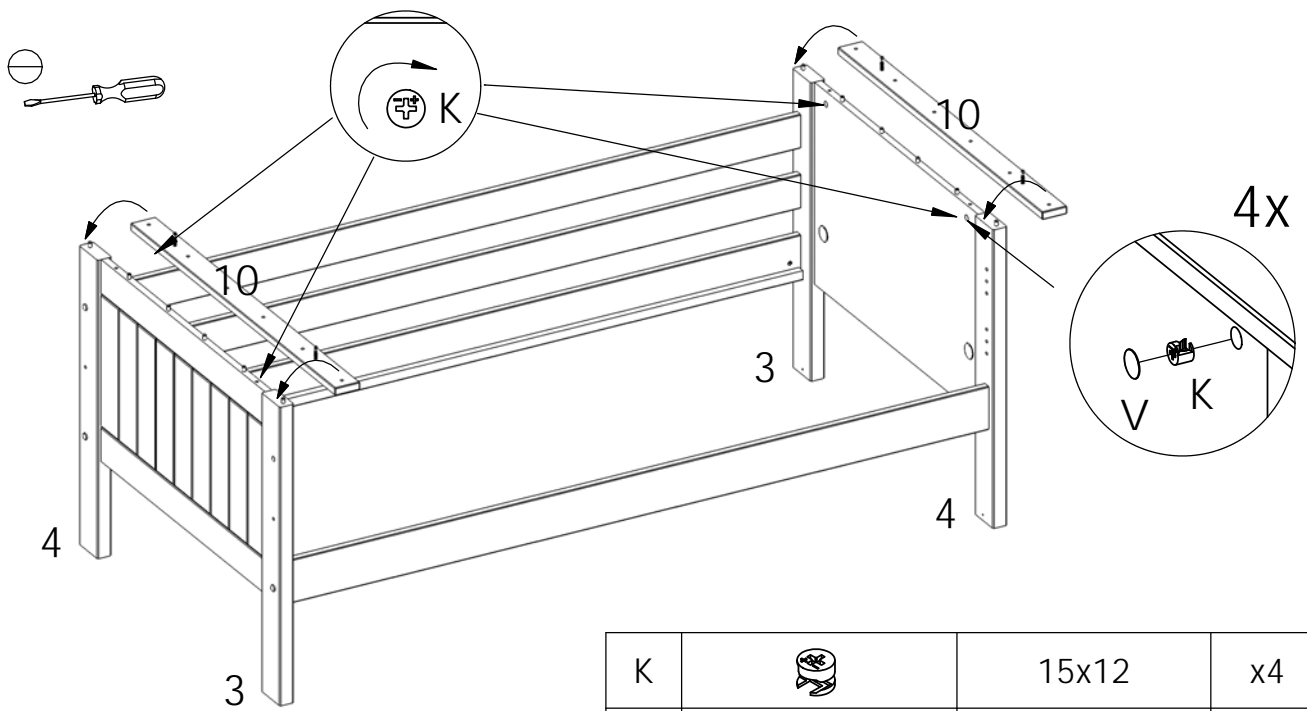
J		7x34	x8
---	--	------	----

7



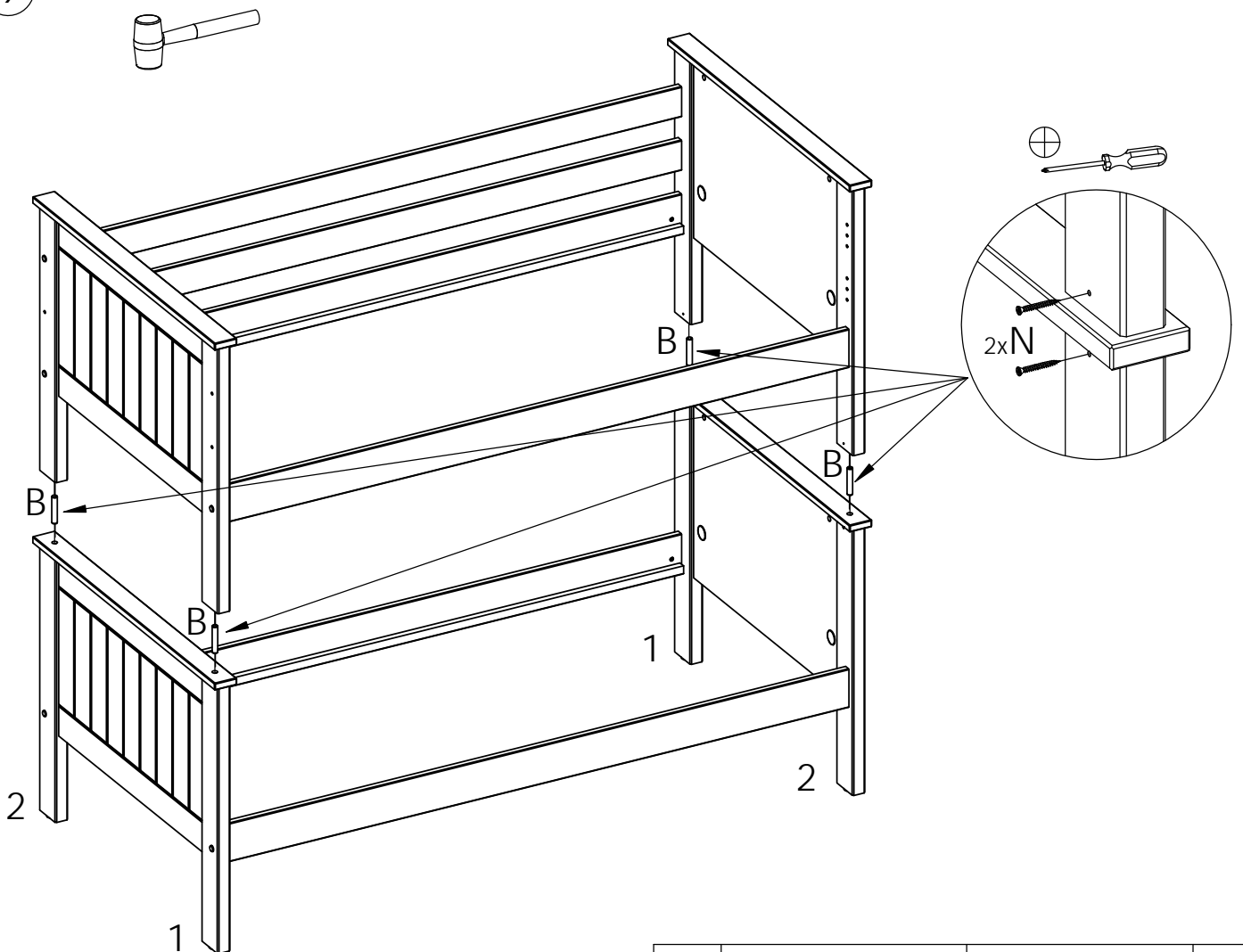
K		15x12	x4
V		D20	x4

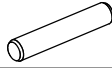

8



K		15x12	x4
V		D20	x4

9



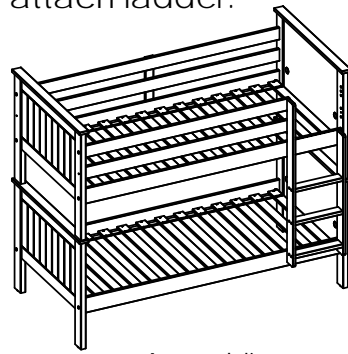
B		12x80	x4
N		4,2x35	x8

10

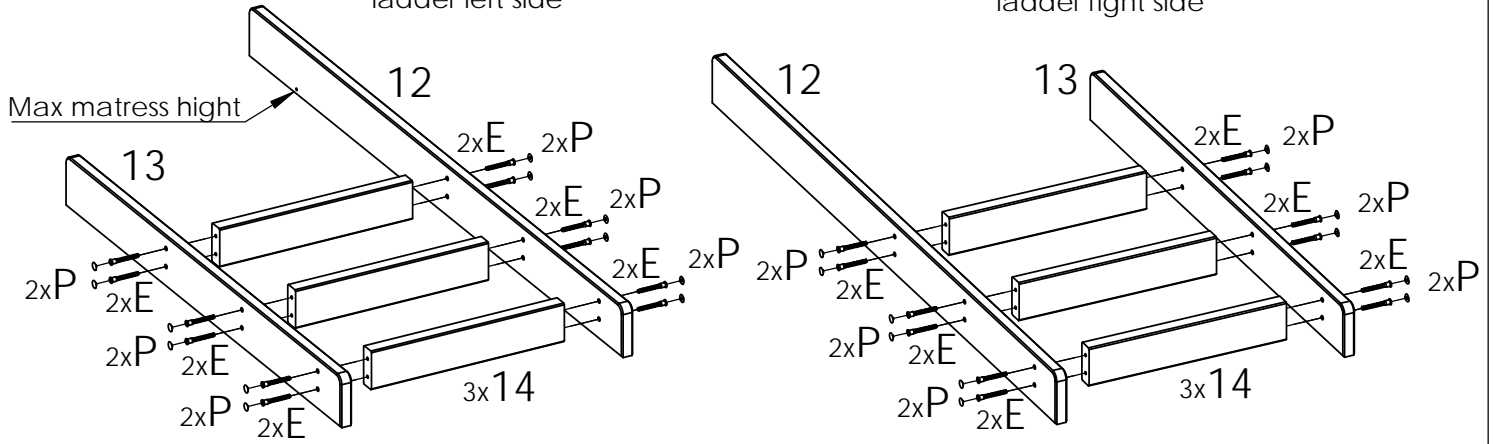
Decide which side to attach ladder.



Assembling ladder left side



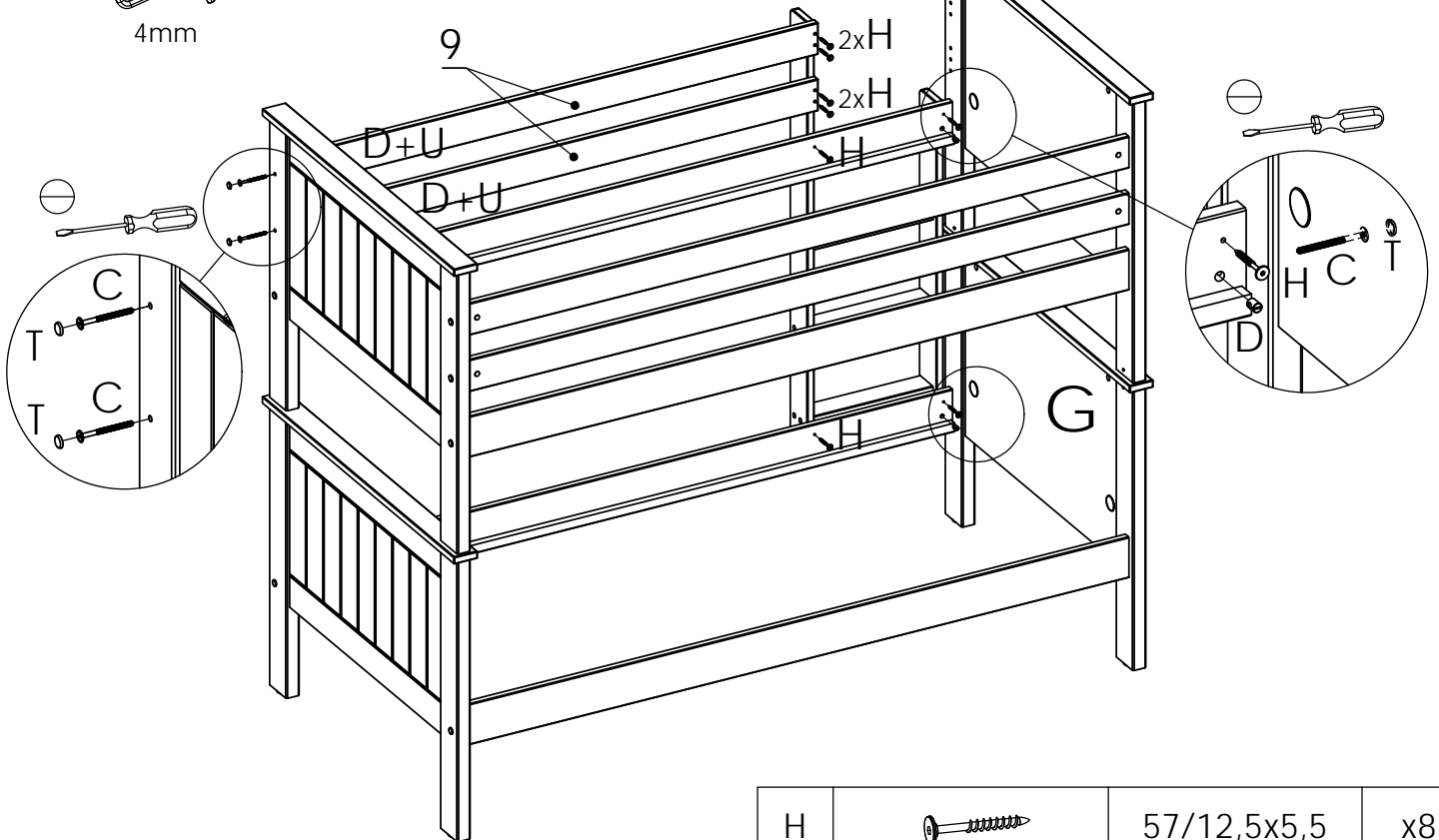
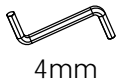
Assembling ladder right side





E		7x50	x12	P		D4x13	x12
---	---	------	-----	---	---	-------	-----

11

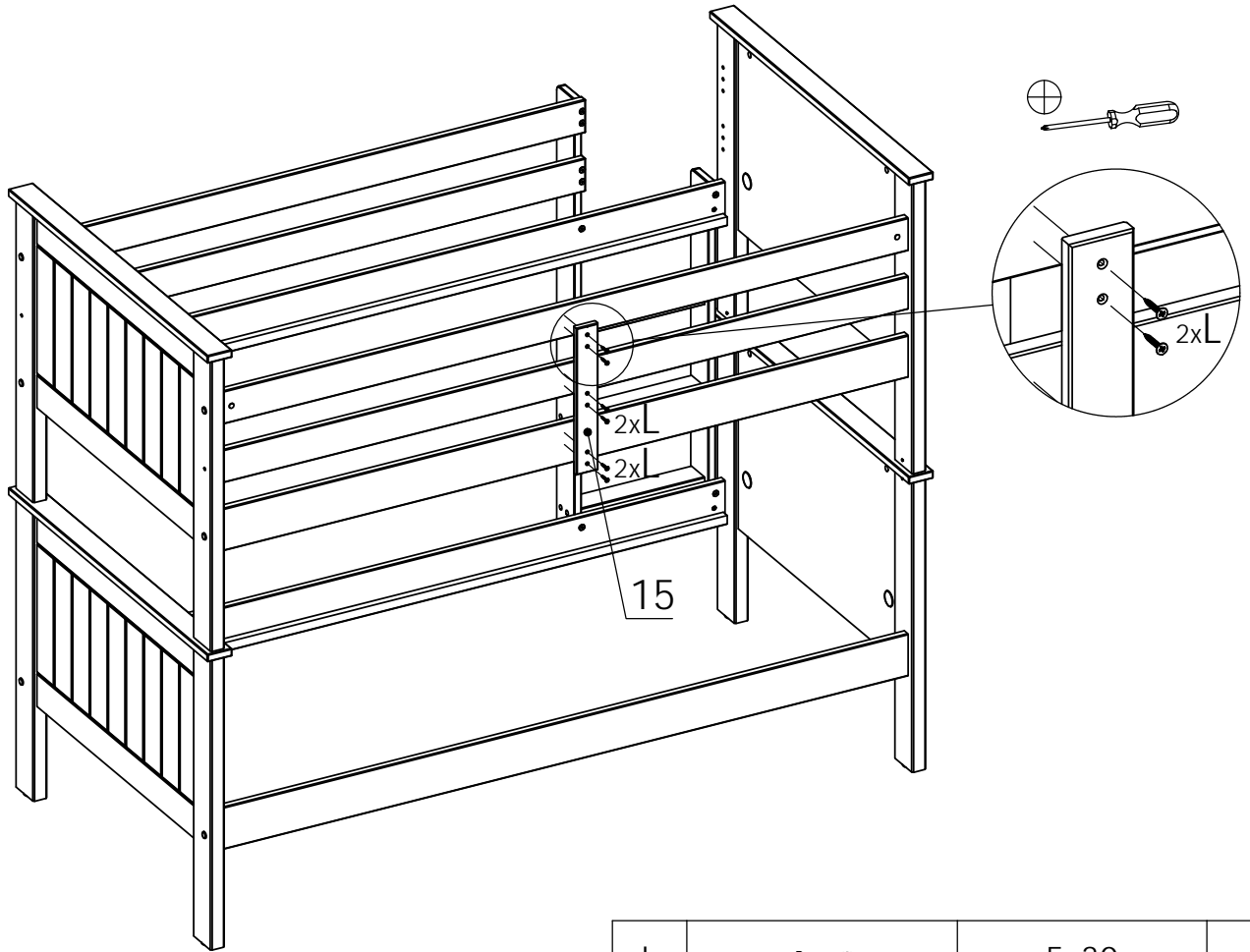
ASSEMBLING LADDER LEFT SIDE



C		M6x75	x3
D		M6x10x13	x3

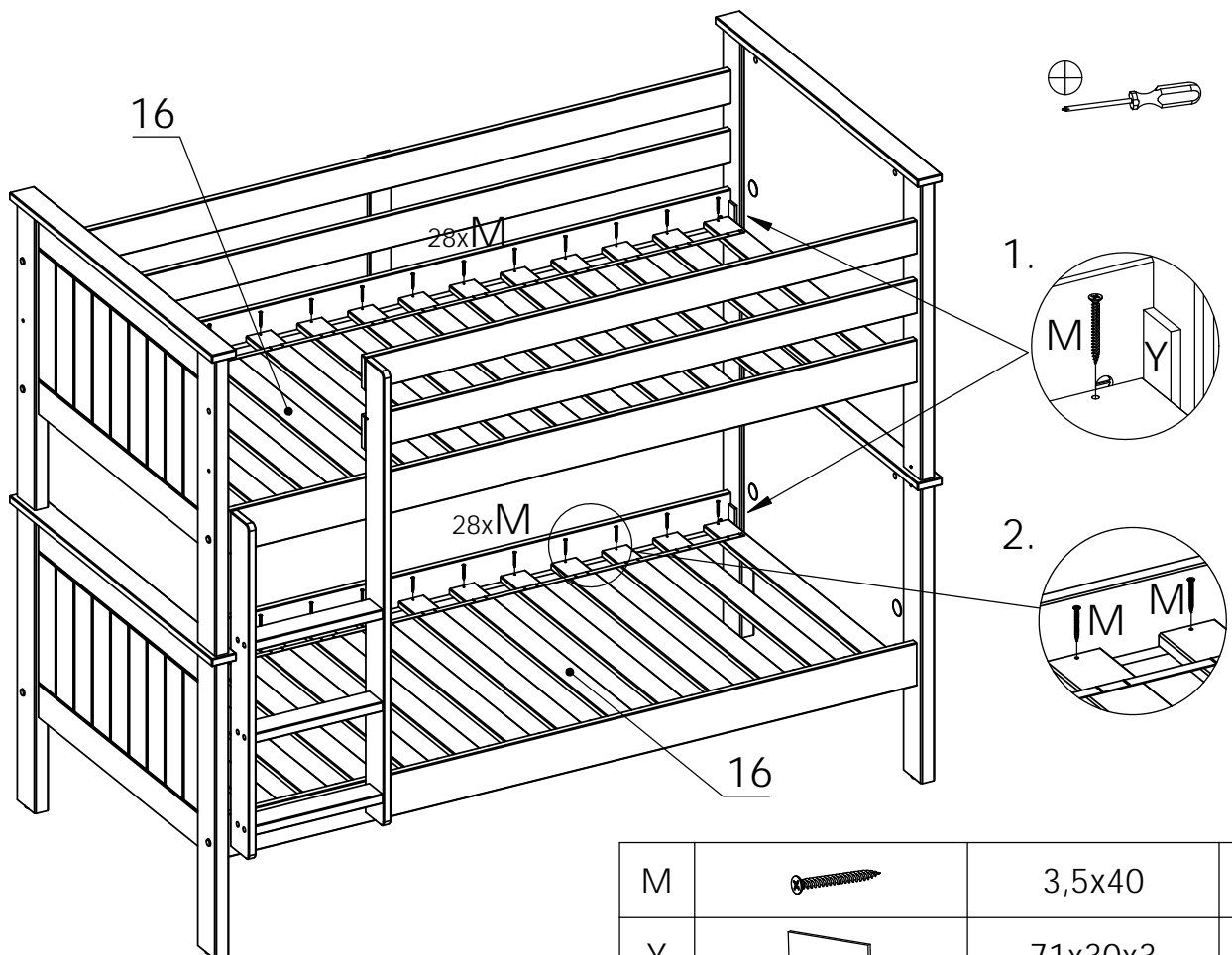
H		57/12,5x5,5	x8
T		D15x18	x3
U		D13	x2



12



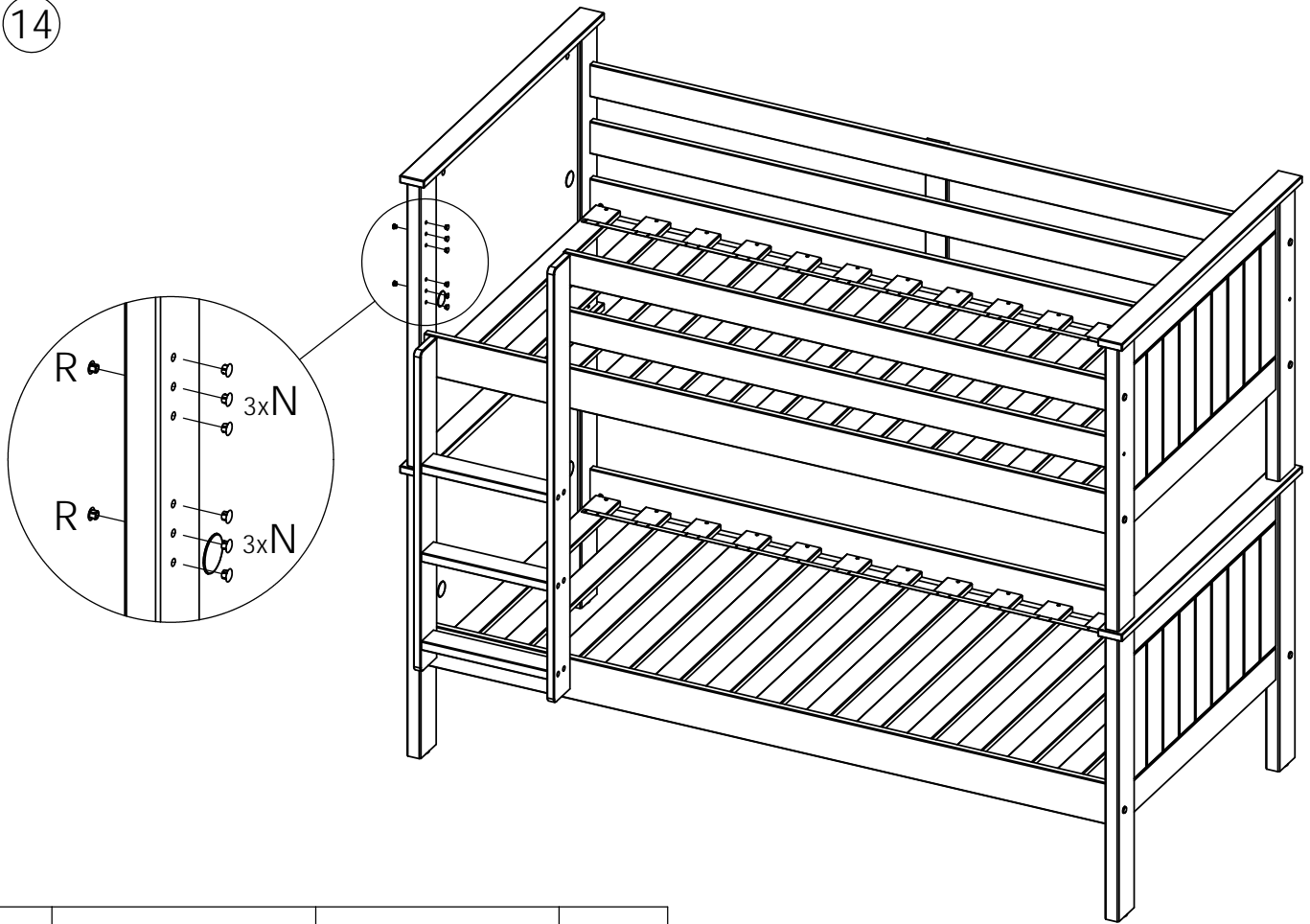
L		5x30	x6
---	---	------	----

13



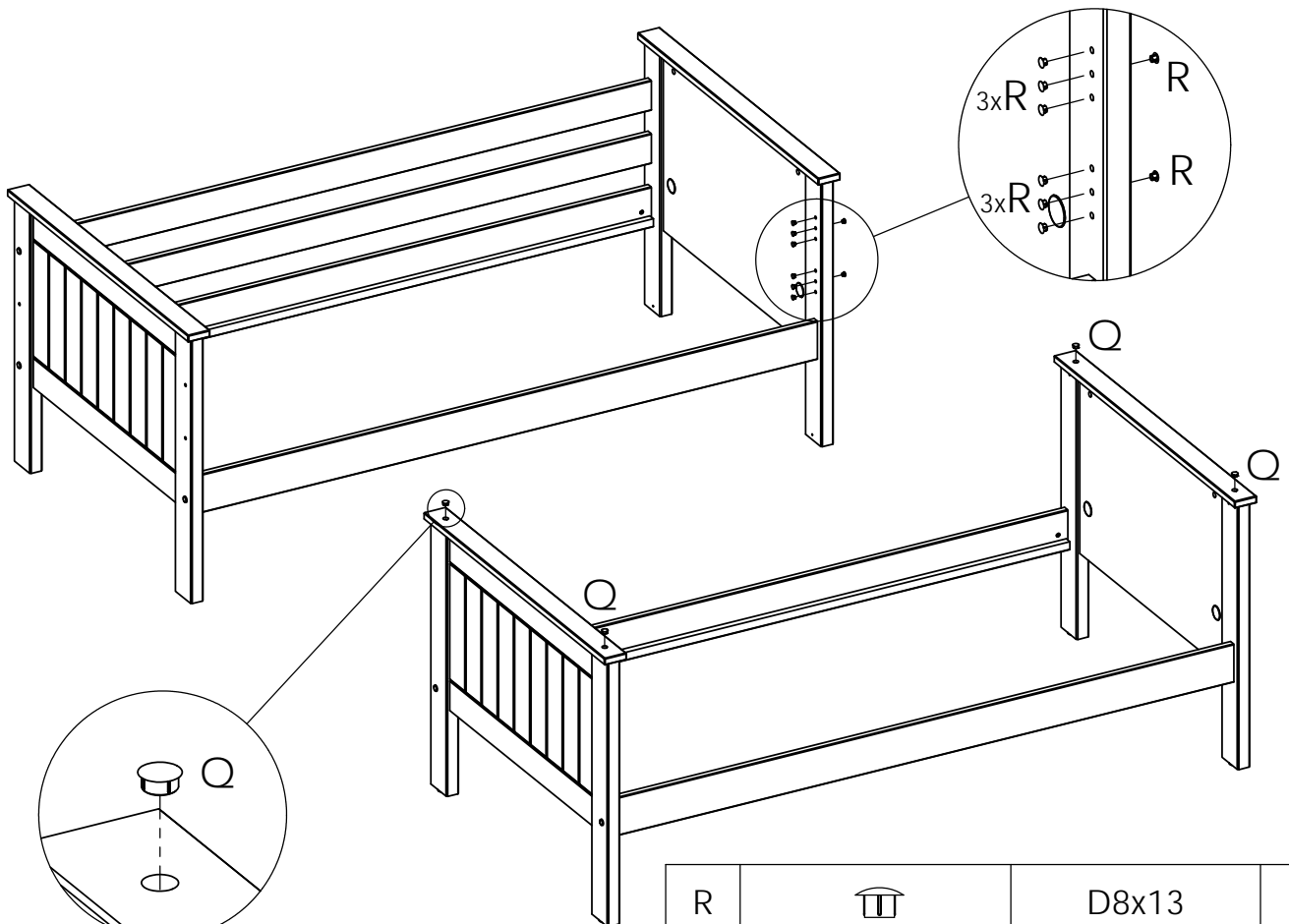
M		3,5x40	x56
Y		71x30x3	x2



14



R		D8x13	x8
---	---	-------	----

15



R		D8x13	x8
Q		D12x18	x4