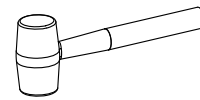
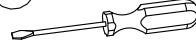
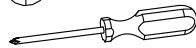
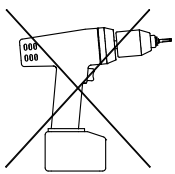
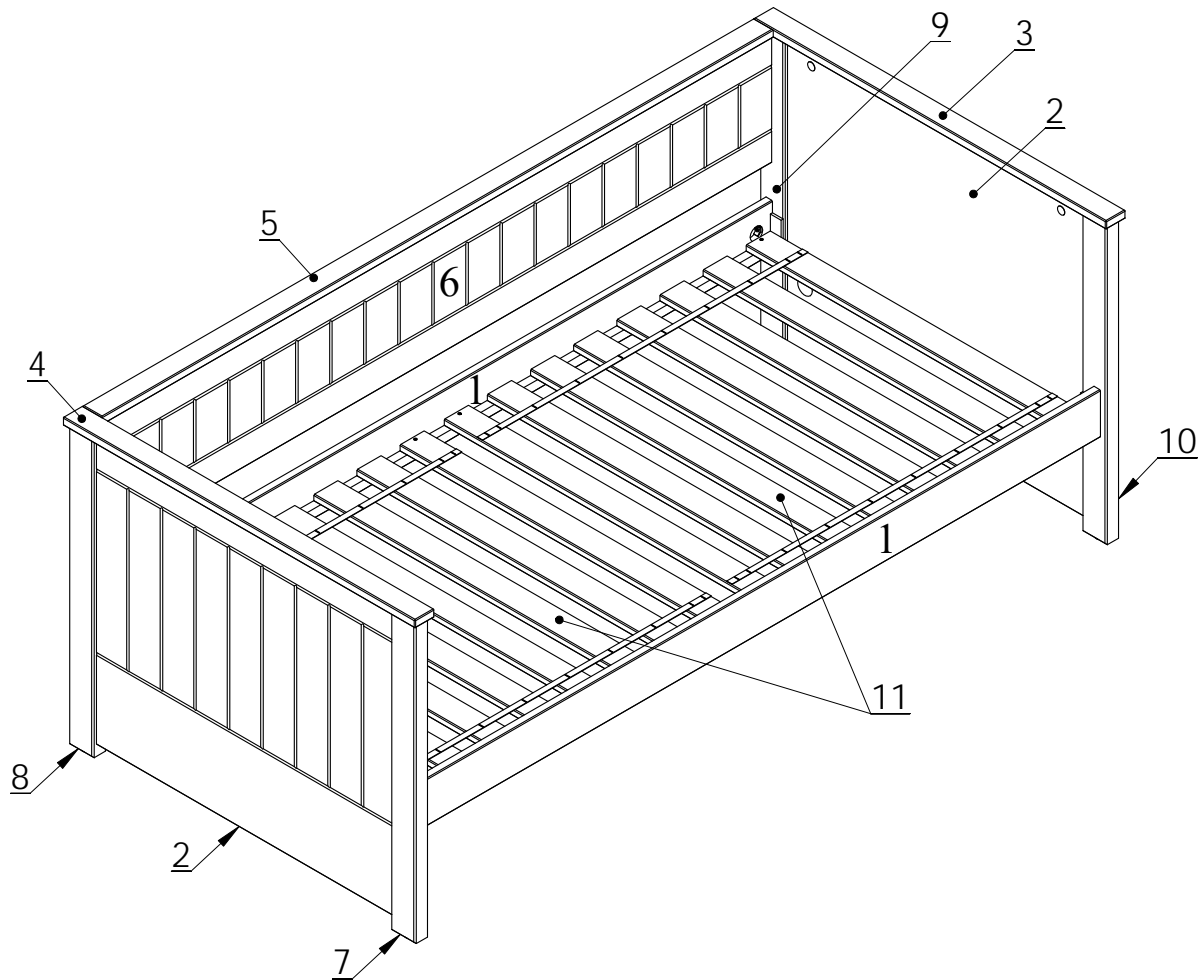
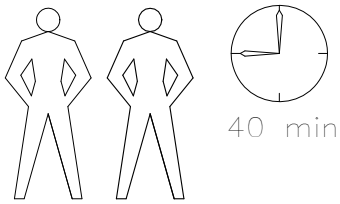


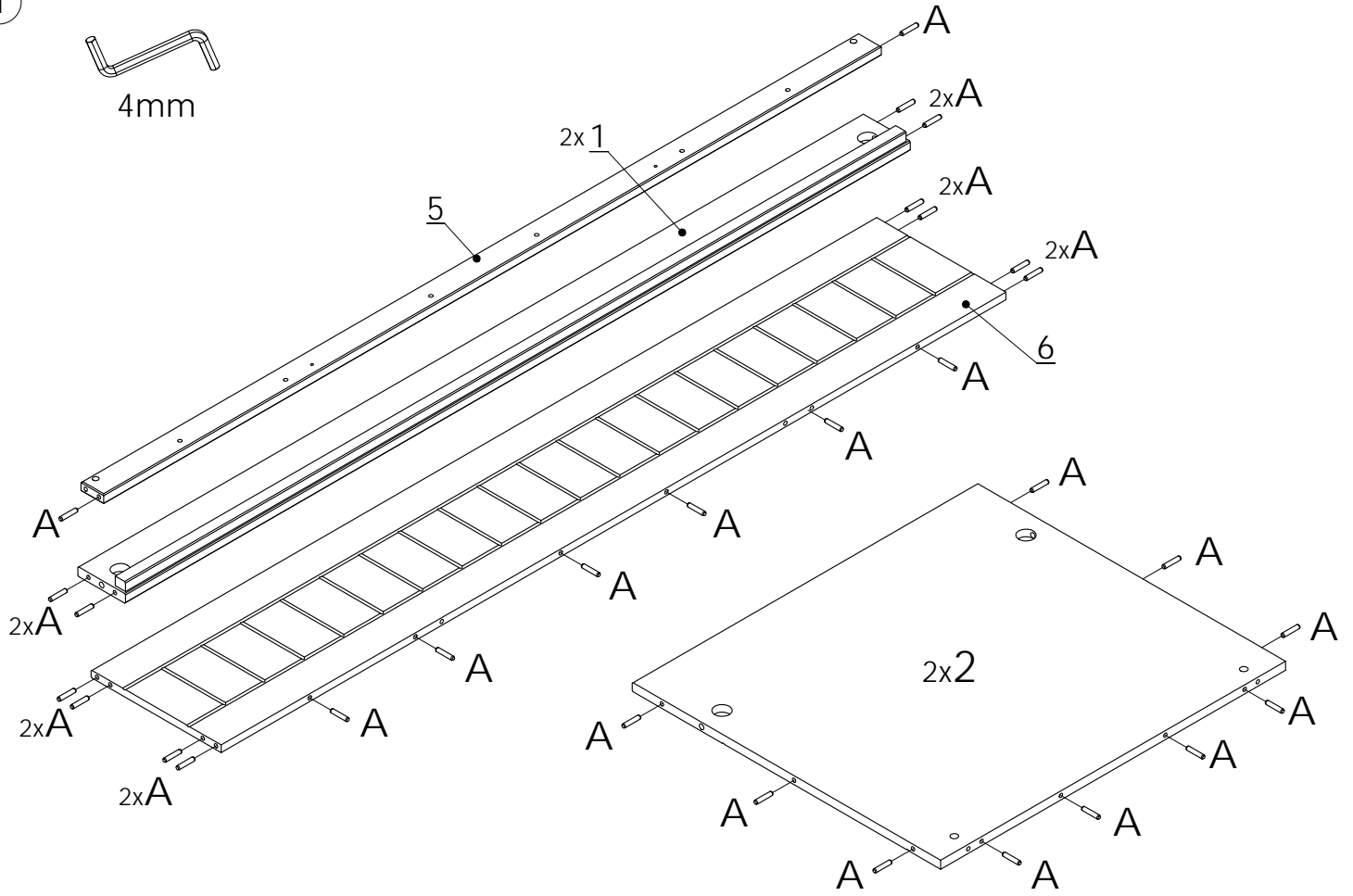
IMPORTANT! KEEP FOR FUTURE REFERENCE

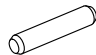


A		8x40	x48
B		7x60	x8
C		D35	x8
D		6,1x24x35	x2
E		12x10	x2
F		7x34	x6
G		15x12	x6

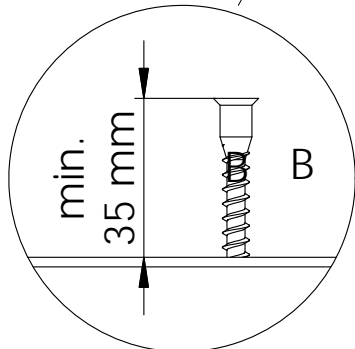
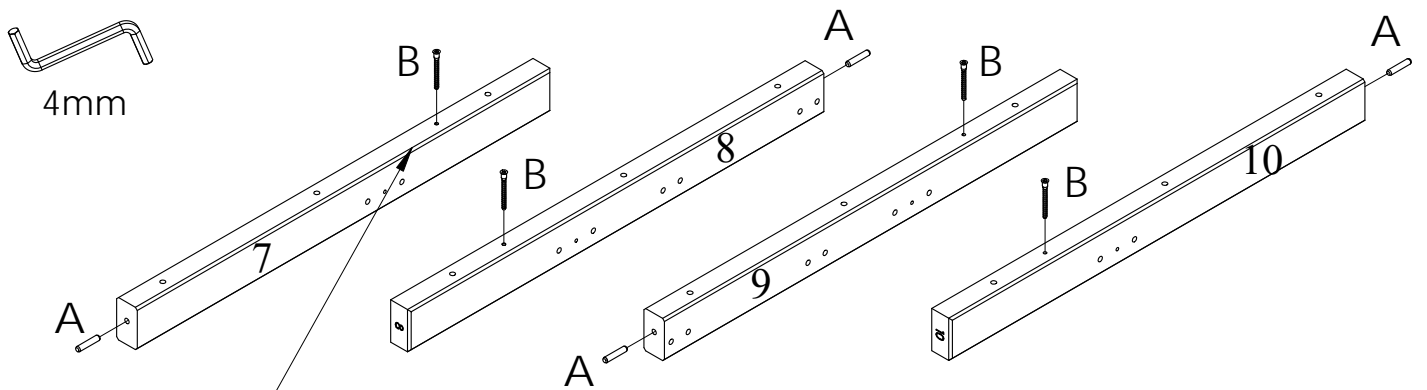
H		D20	x6
J		D35x12	x4
K		3,5x40	x8
L		D27x3	x4
M		4mm	x1
N		56x30x6	x2

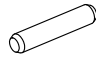

1



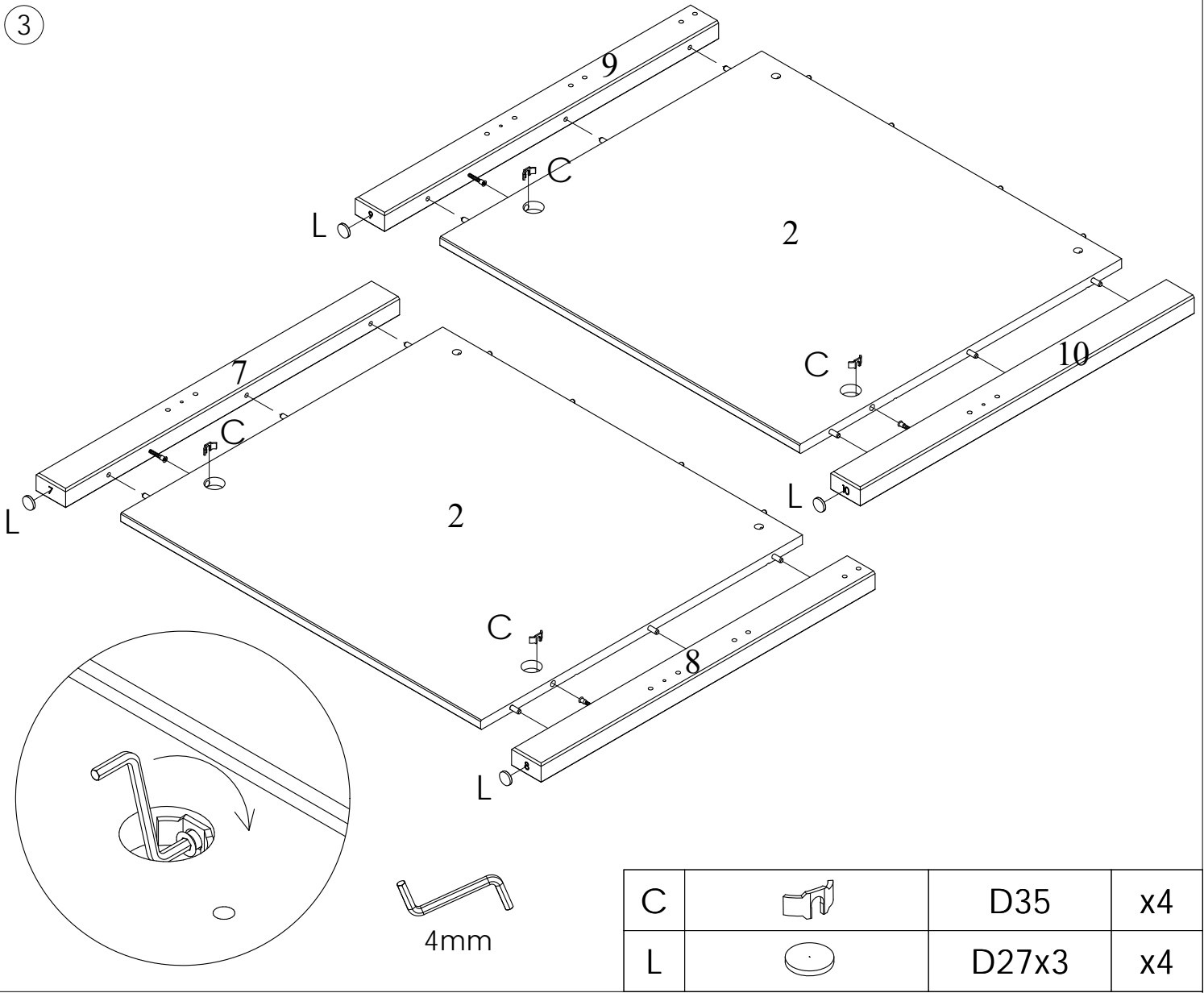
A		8x40	x44
---	---	------	-----

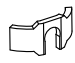
2

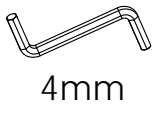


A		8x40	x4
B		7x60	x4

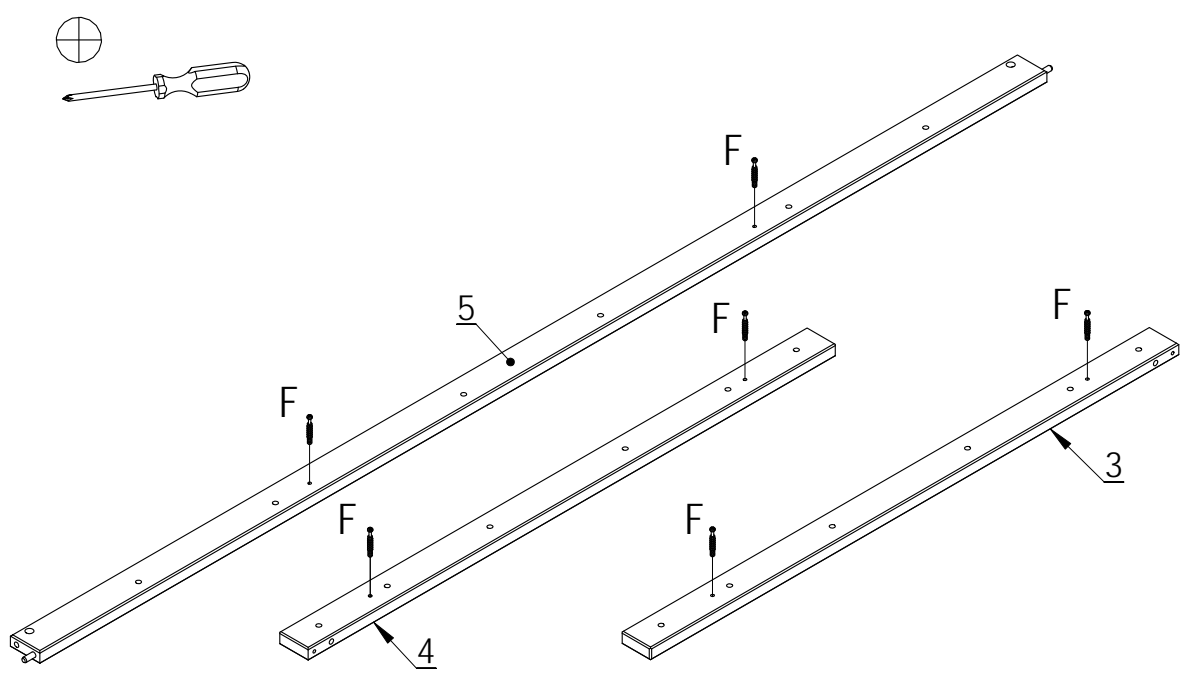
3



C		D35	x4
L		D27x3	x4

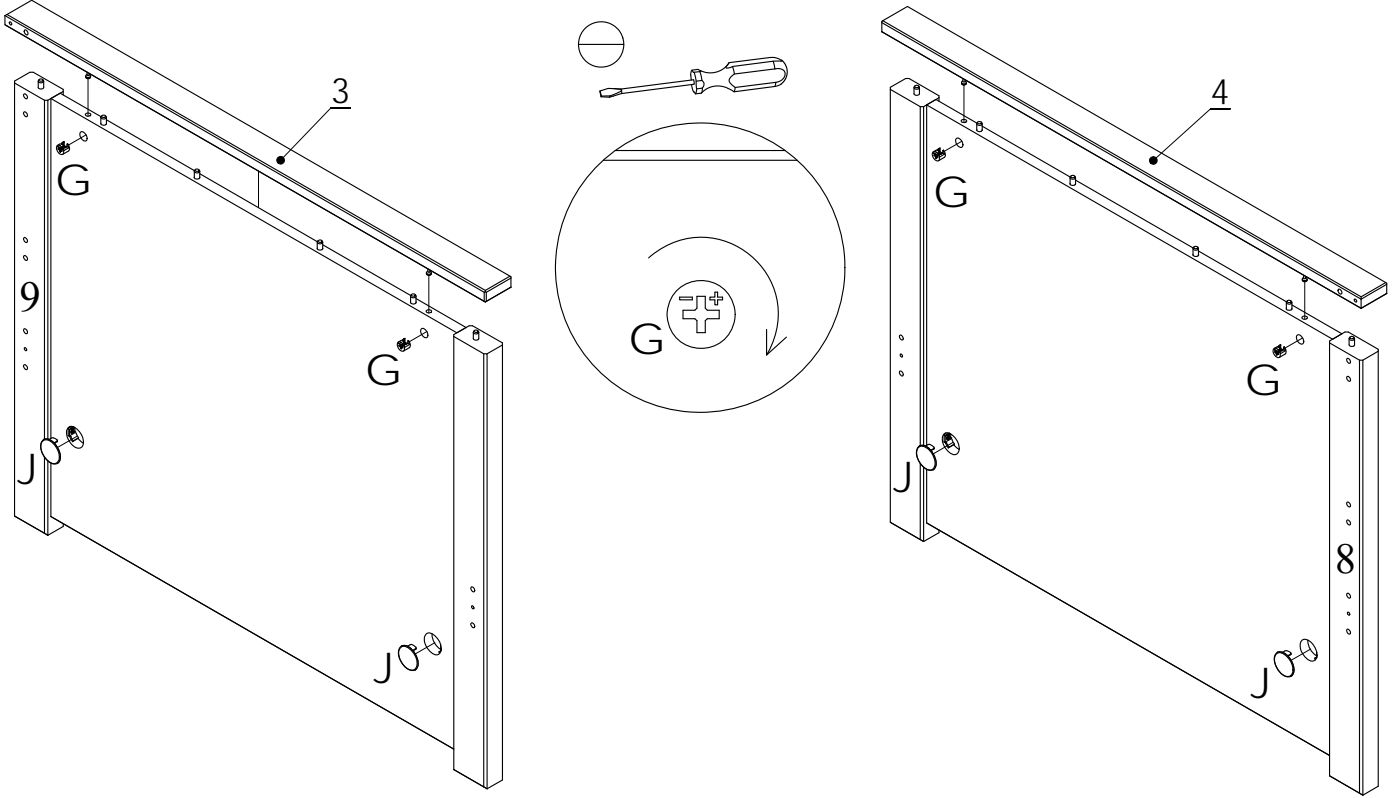


4



F		7x34	x6
---	--	------	----

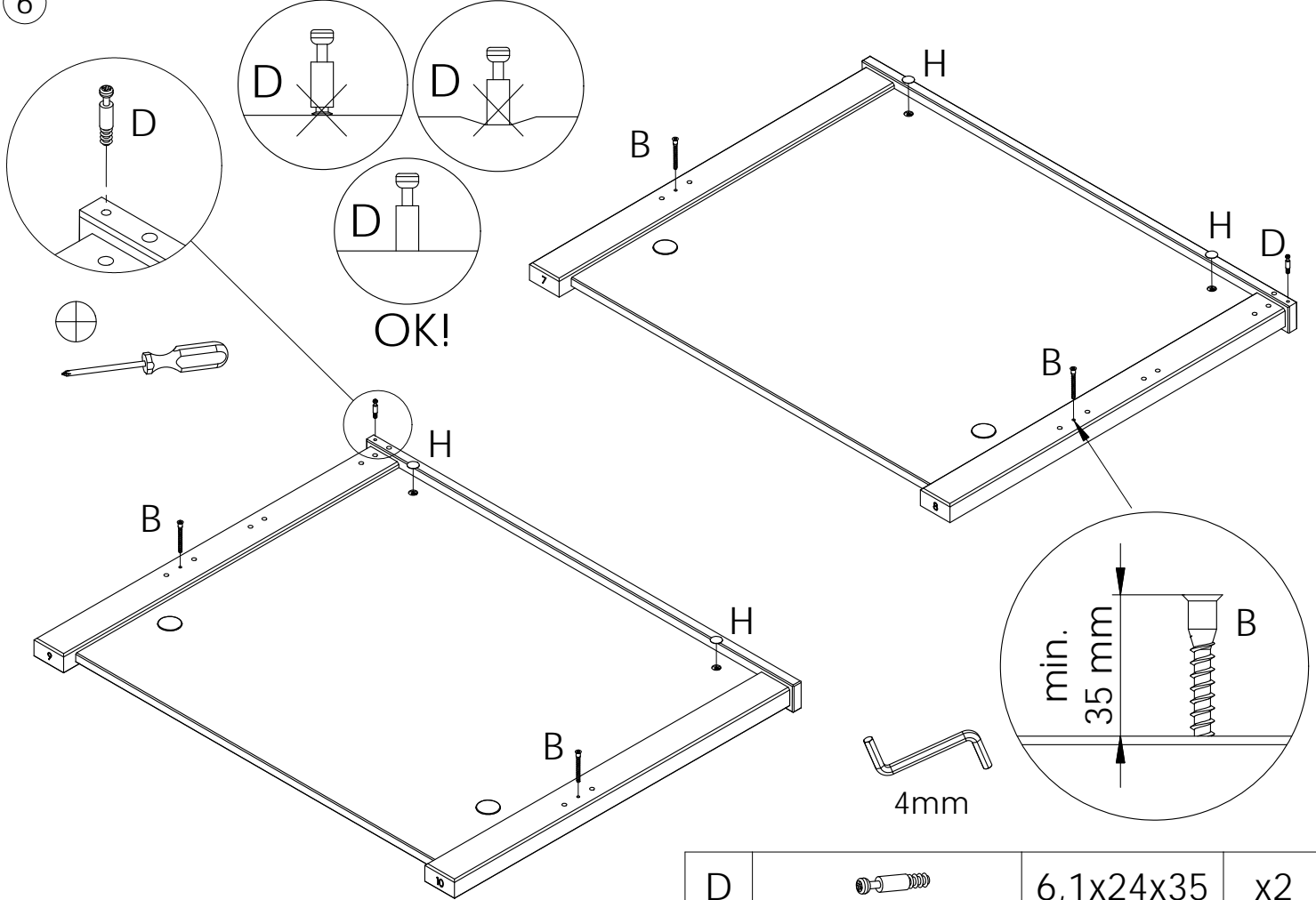
5



G		15x12	x6
---	--	-------	----

J		D35x12	x4
---	--	--------	----

6

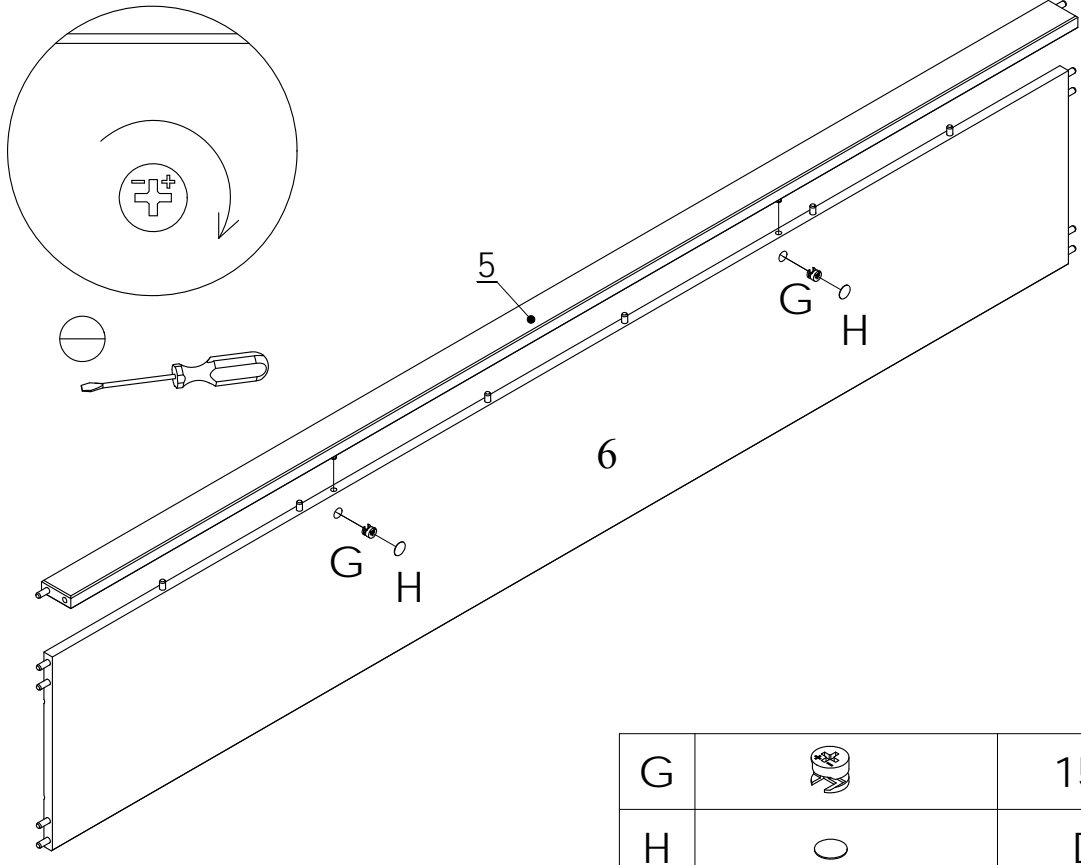


B		7x60	x4
---	--	------	----

D		6,1x24x35	x2
---	--	-----------	----

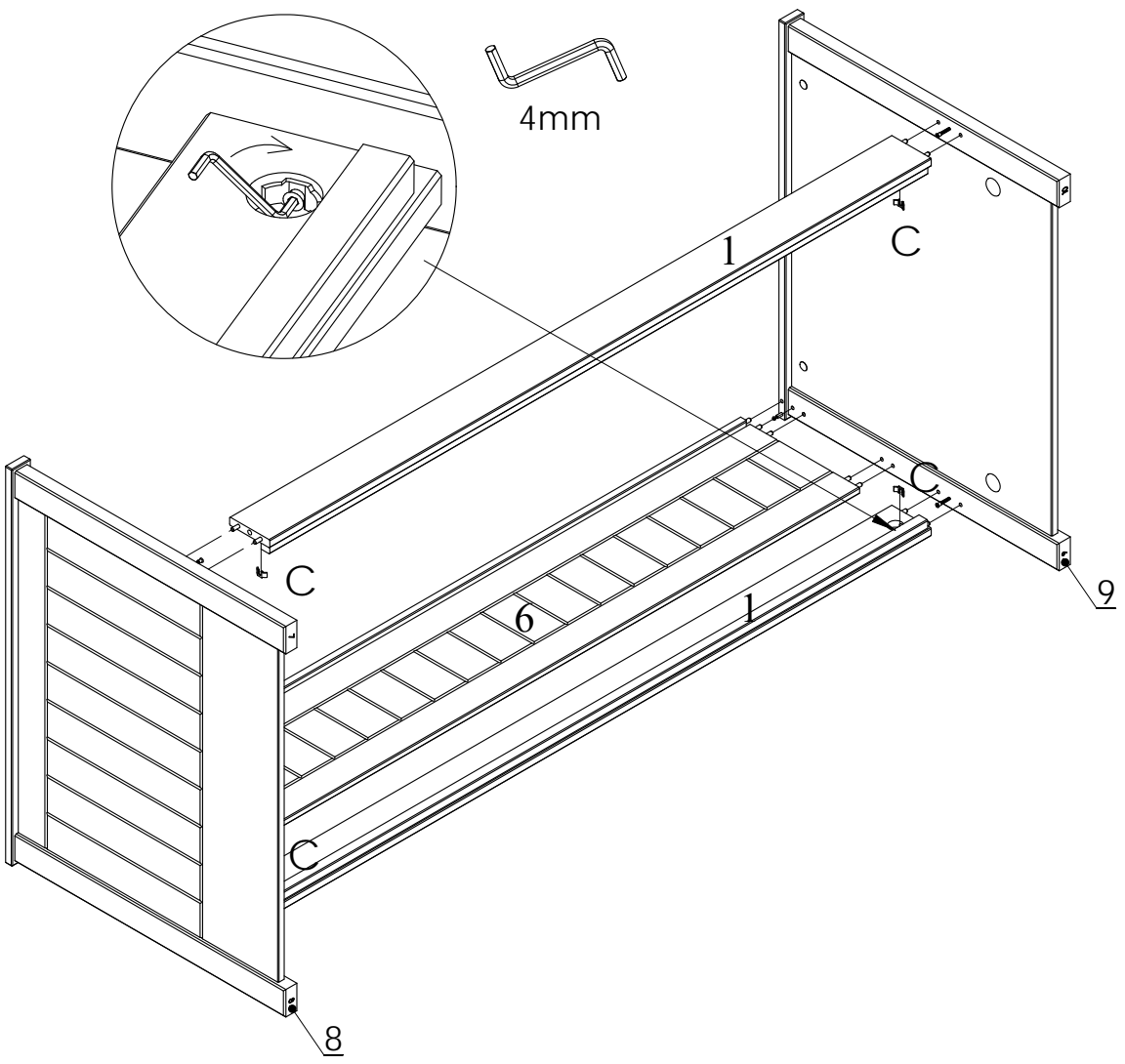
H		D20	x4
---	--	-----	----

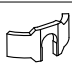
7



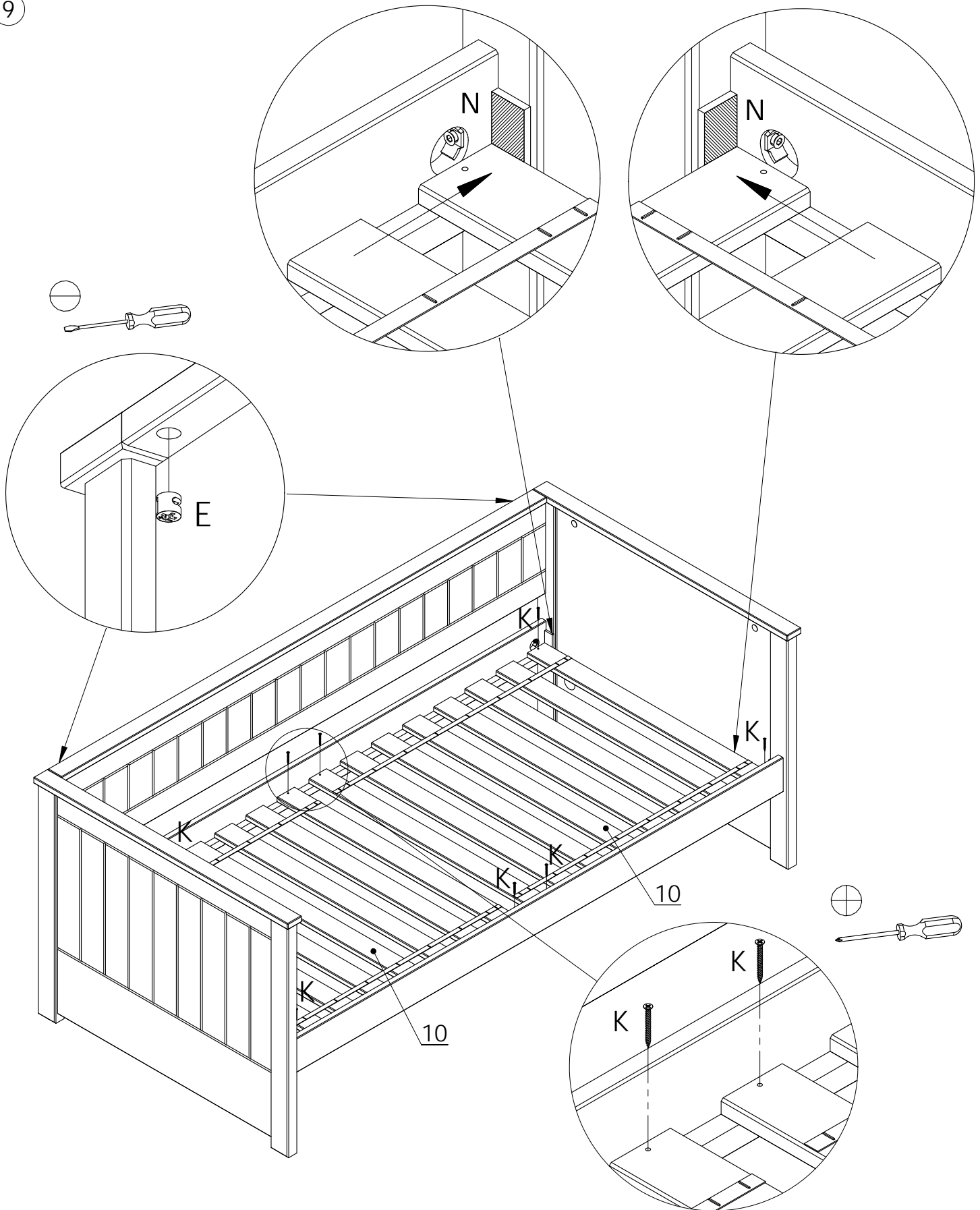
G		15x12	x2
H		D20	x2




8



C		D35	x4
---	---	-----	----

9



E		12x10	x2
N		56x30x6	x2
K		3,5x40	x8

IMPORTANT INFORMATION

It is recommended that you always follow the manufacturer's instructions to assemble this product. It is also recommended that periodically that all fixings are checked and tightened if required.

IMPORTANT! KEEP ASSEMBLY INSTRUCTIONS FOR FUTURE REFERENCE

This bed conforms to EN1725

Recommended Mattress size: 190*90 (UK single) with a depth no more than 23cms.

General Care: Wipe clean with a slightly damp soft cloth.

Avoid using all household cleaners and abrasives.

When moving your furniture, carefully lift into place.

Never drag or push across the floor as this will cause damage to the joints and could result in failure to the product that will invalidate the warranty.