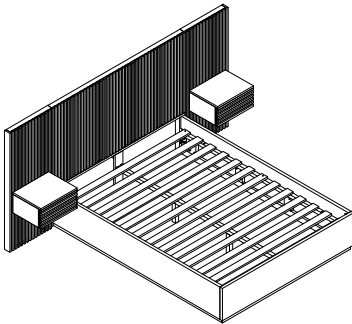


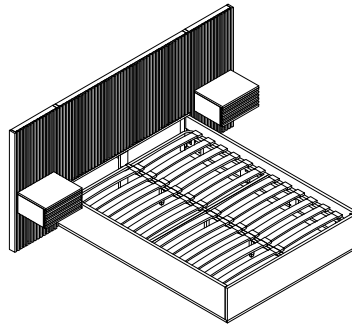
MORTEN DOUBLE BED AND KING BED

Assembly Instructions

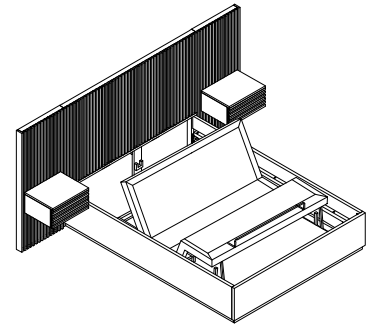
OPTION 1:
SOLID SLATS



OPTION 2:
SPRUNG SLATS



OPTION 3:
SLEEPMOTION



1/2 hour approx
assembly time



Two person
assembly

Dreams
COUNTRY LIVING

Thank you

Hello, thanks for choosing to purchase your bed from Dreams - you're now on your way to your best ever night's sleep. Before you begin building your bed, please take a moment to read through the instructions and make sure that you've got all the relevant parts listed on the following pages.



Assembly tips

Before you begin, it's best to identify all parts and fittings to build your bed. We advise laying these out on the floor to check you have everything, and familiarising yourself before building.



Top tip

We recommend that you build your new bed in the room you'd like it to be located - this will help prevent any risk of damage to your newly built bed whilst moving it.



Safety and care

It's really important to ensure children and animals are kept away from the assembly area, as there are small components used in this bed which could present a choking hazard. All plastic and wrapping materials should also be kept away from children and animals to prevent any risk of suffocation. To keep your little ones busy, there is a colouring page inside the back cover.



Help and support

At Dreams, it's our mission to give the whole nation a great night's sleep - this means that the quality of our products is of utmost importance to us. If there are any issues with your product or any missing parts, please visit our website at www.dreams.co.uk/help



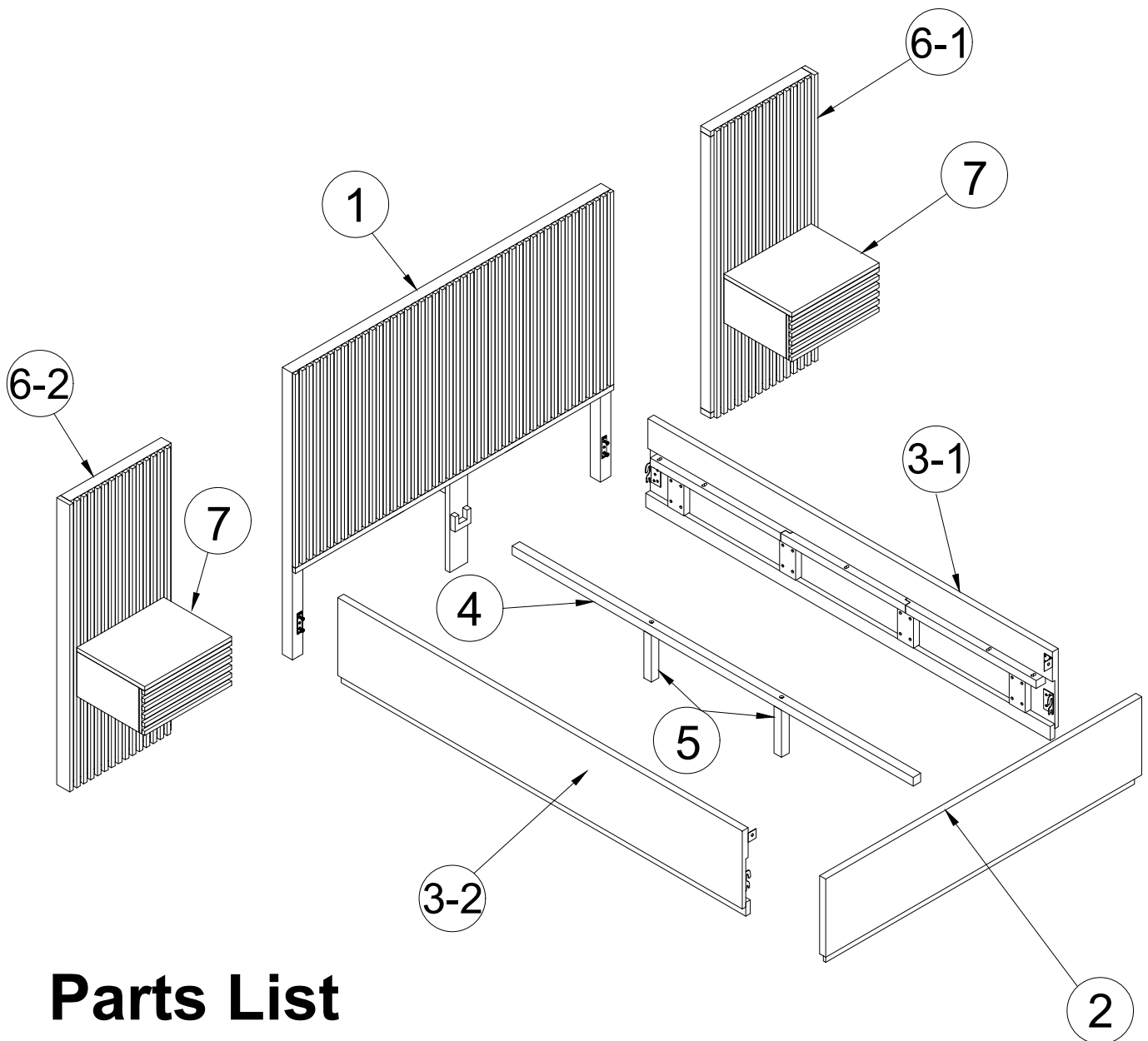
Recycling

Please ensure that packaging is disposed of in a safe and environmentally friendly way, and recycle where possible. Our assembly instructions are printed on recycled paper. Please keep your assembly instructions safe to refer back to in the future.

Parts

Important information

Please check you have all parts listed below.



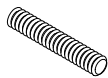
Parts List

1.	Headboard	01 PC	5.	Middle Leg Support	02 PCS
2.	Footboard	01 PC	6-1.	Side Frame	01 PC
3-1.	Side Rail	01 PC	6-2.	Side Frame	01 PC
3-2.	Side Rail	01 PC	7.	Drawer Frame	02 PCS
4.	Support Rail	01 PC			

Fittings

Please check you have all the fittings listed below, that you can find in Box # 2 in the string tagged plastic bag together with this Assembly Instructions.

A



Bolts M6x65mmx8pcs

B



Nut M6x8pcs

C



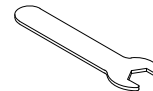
Lock Washer M6x8pcs

D



Flat Washer M6x16pcs

E



Wrench K10x1pcs

F



Sleeve Nut M6x20mmx12pcs

G



Allen Key x 2pc

H



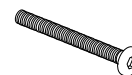
Bolt M8x20mmx2pcs

I

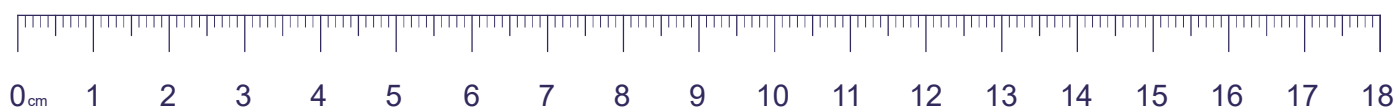


Bolt M6x30mmx6pcs

J



Bolt M6x45mmx8pcs



Tools required

Please check you have all these below:



Flathead
screwdriver



Scissors



Spanner

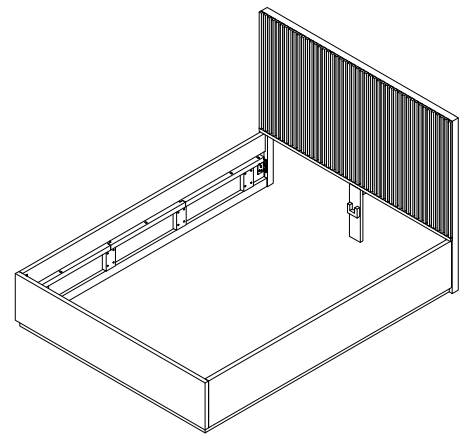


Tape measure



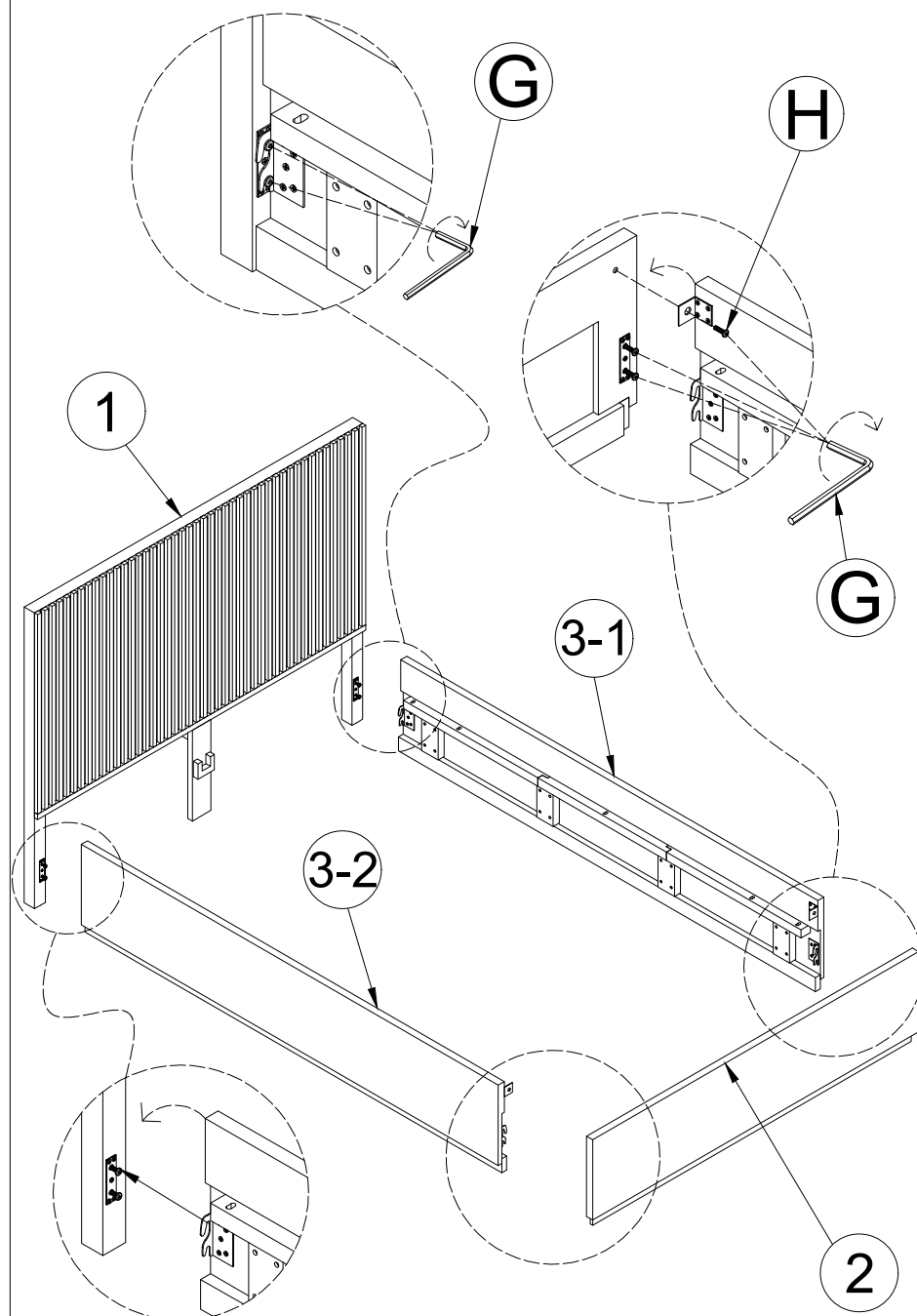
Cross head
screwdriver

ASSEMBLY



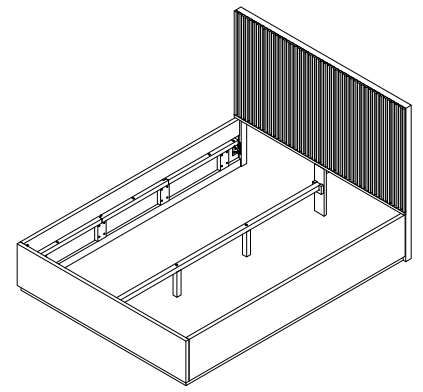
- Use Bolts (mounted on the Headboard and Footboard) and Bolts (H) to fix the Side Rails (3-1) and (3-2) onto Headboard (1) and Footboard (2) by using Allen Key (G).

STEP 1



ASSEMBLY

SOLID SLATS OPTION



(1) Attach Support Rail (4) to Middle Legs Support (5).

Use Bolts (J) and Washers (D), tighten using Allen key (G).

(2) Place the fixed Support Rail (4) onto the support block on Headboard (1) and Footboard (2).

IMPORTANT

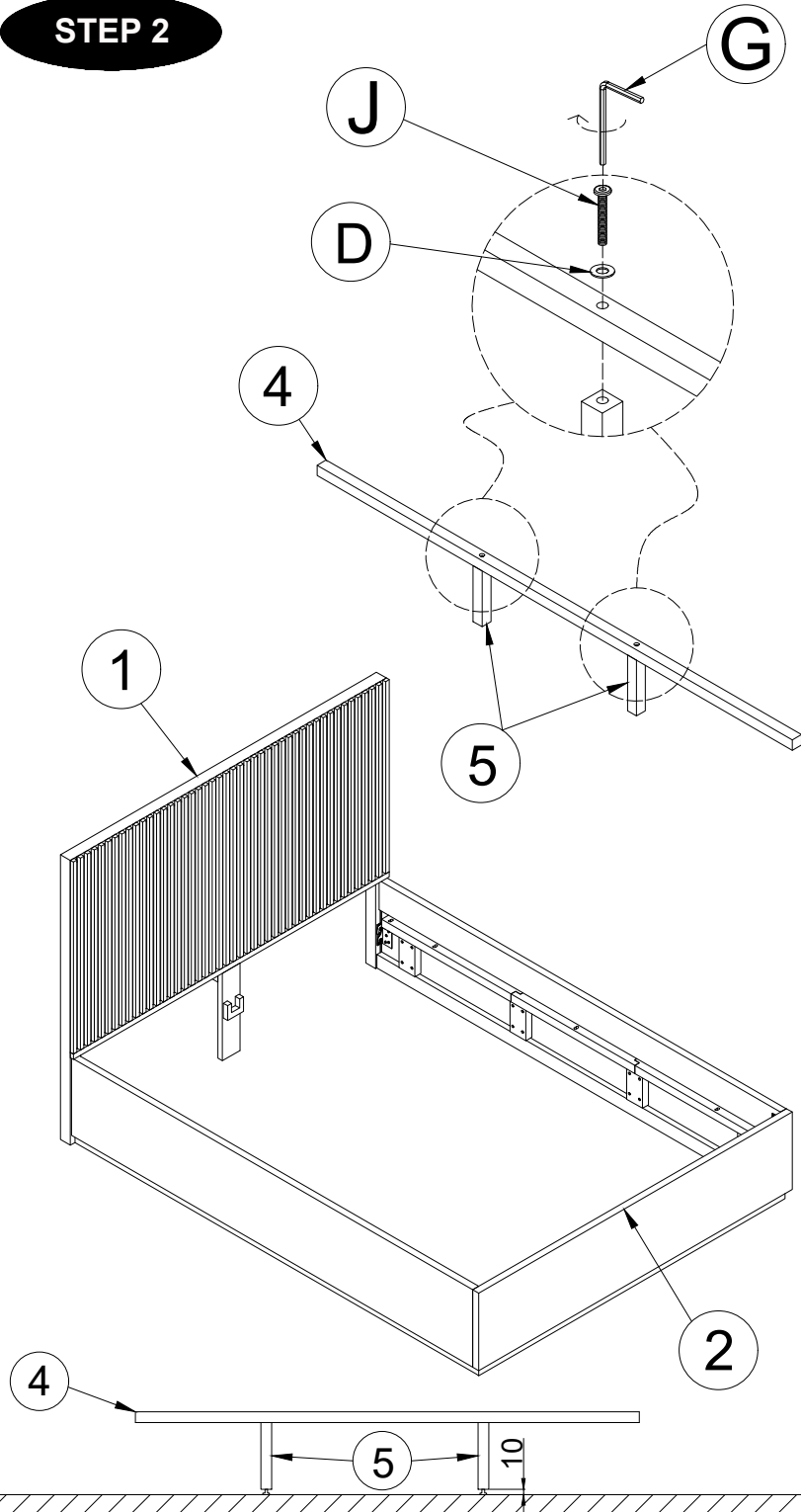
Once the feet have been assembled and attached, They should be adjusted to ensure they do not touch the floor, (10mm above the floor) to allow for movement once the mattress is placed on the bed frame.

It is important to note that when moving the bed that it is not dragged into its new position to prevent the possibility of these feet being twisted or angle to one side, which could lead to the collapse of the centre of the legs.

To move the bed, remove the mattress and lift the bed into its new position to avoid damage.

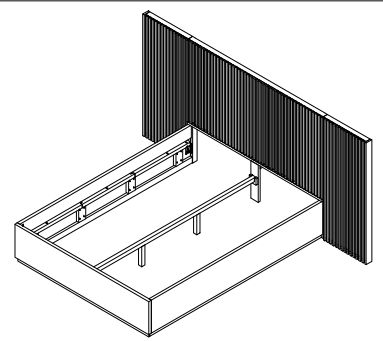
Ensure the feet are at degree to the floor before repacing the mattress.

STEP 2

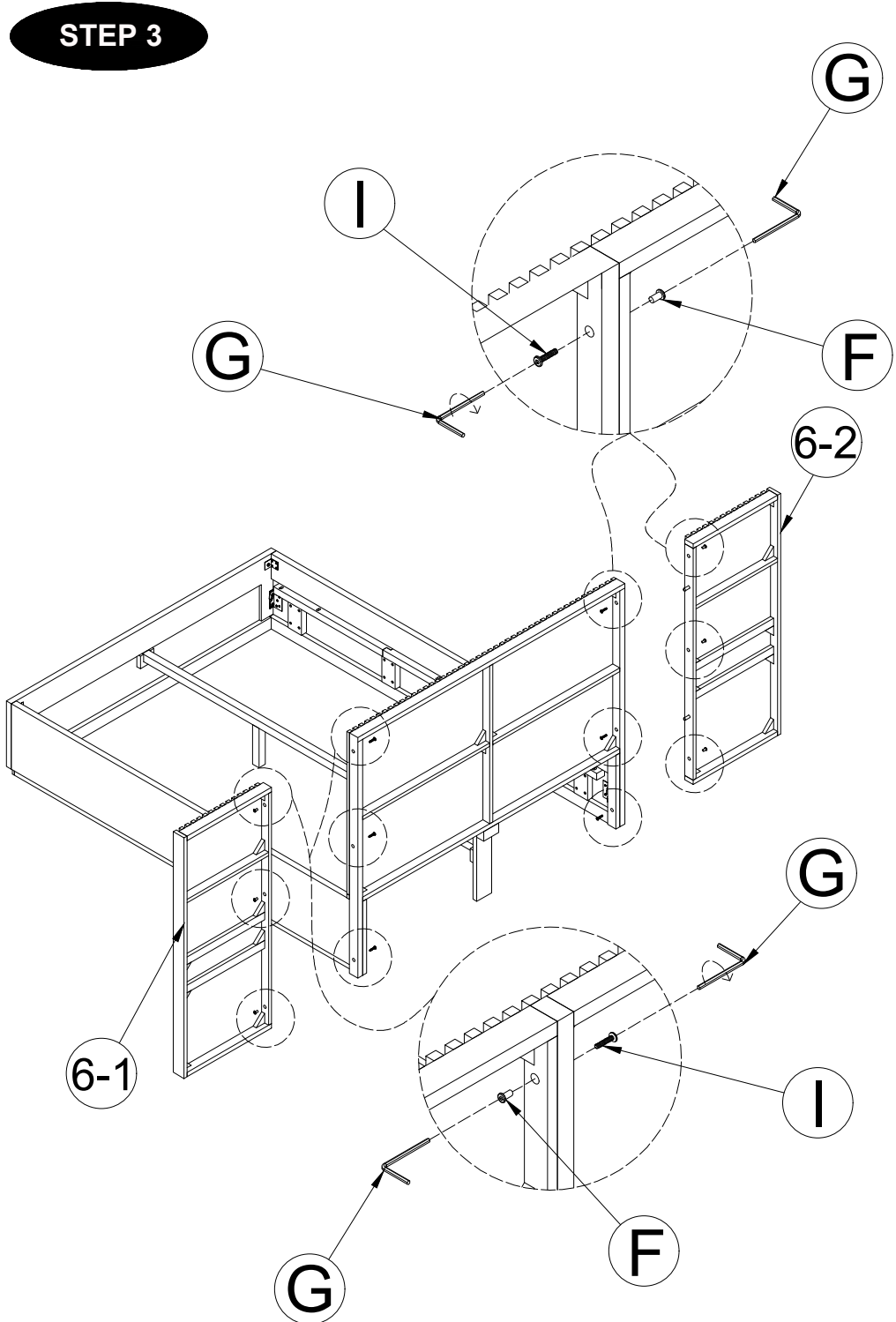


ASSEMBLY

SOLID SLATS OPTION

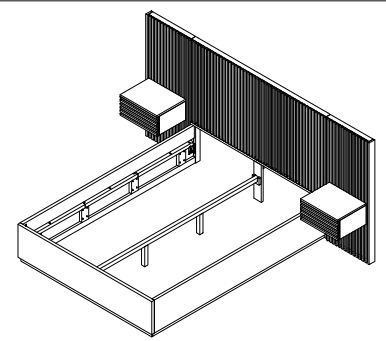


Position Side Frames (6-1) and (6-2) onto Headboard (1) using Bolt (I), Sleeve Nut (F) to fix the units using Allen Key (G).



ASSEMBLY

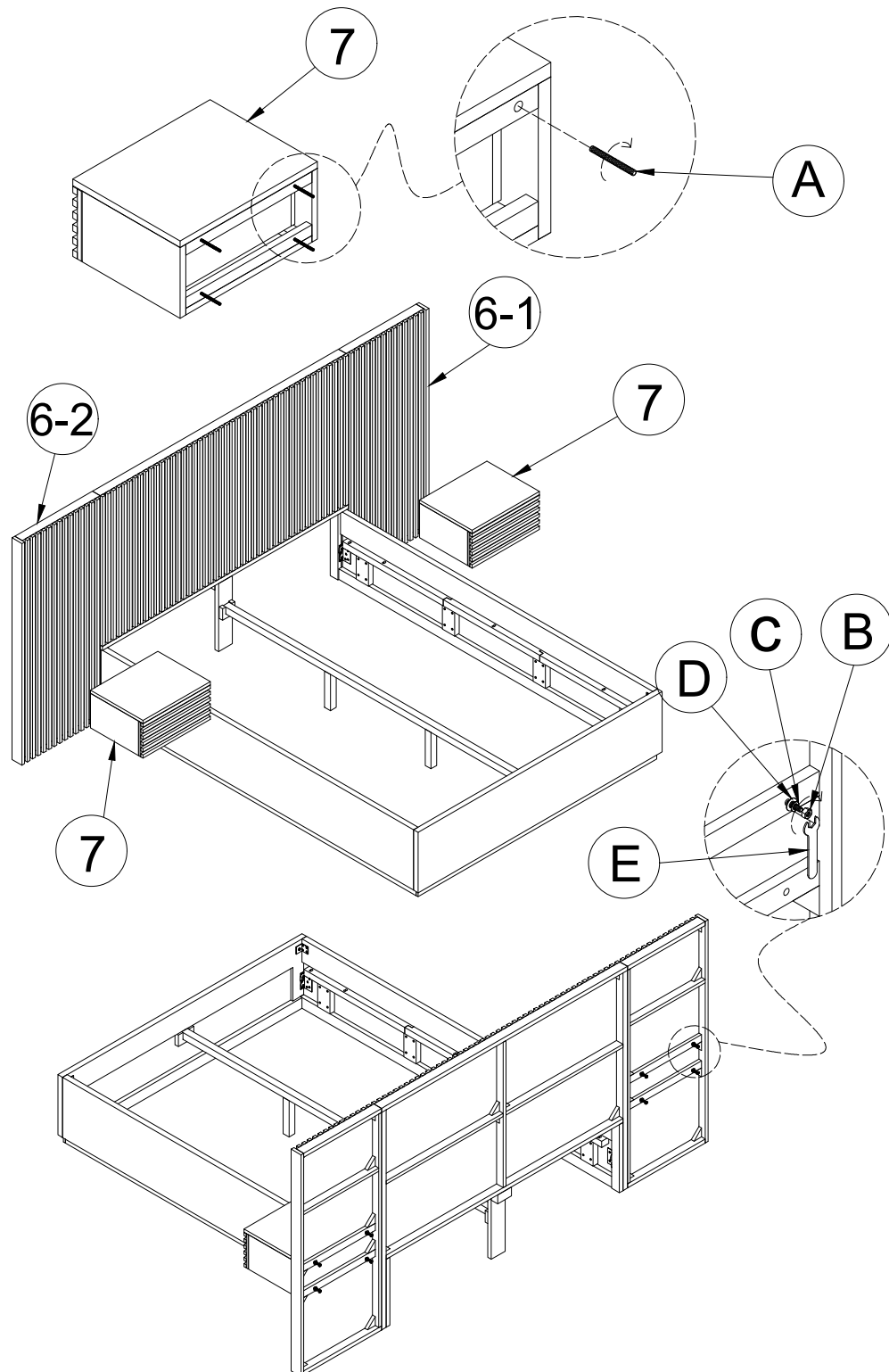
SOLID SLATS OPTION



1 - Use Bolt (A) attached to the back of the Drawer Frame (7). Fully tighten Bolt (A).

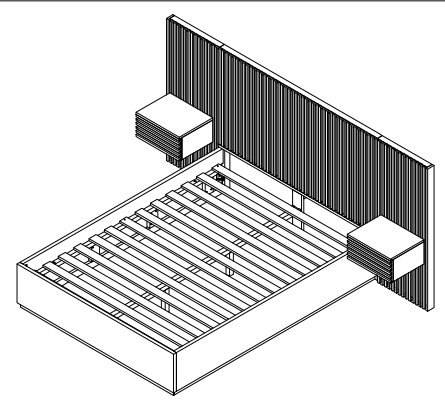
2 - Position the Drawer Frames (7) onto Side Frames (6) using Nut (B), Lock Washer (C) and Flat Washer (D), tighten using Wrench (E).

STEP 4



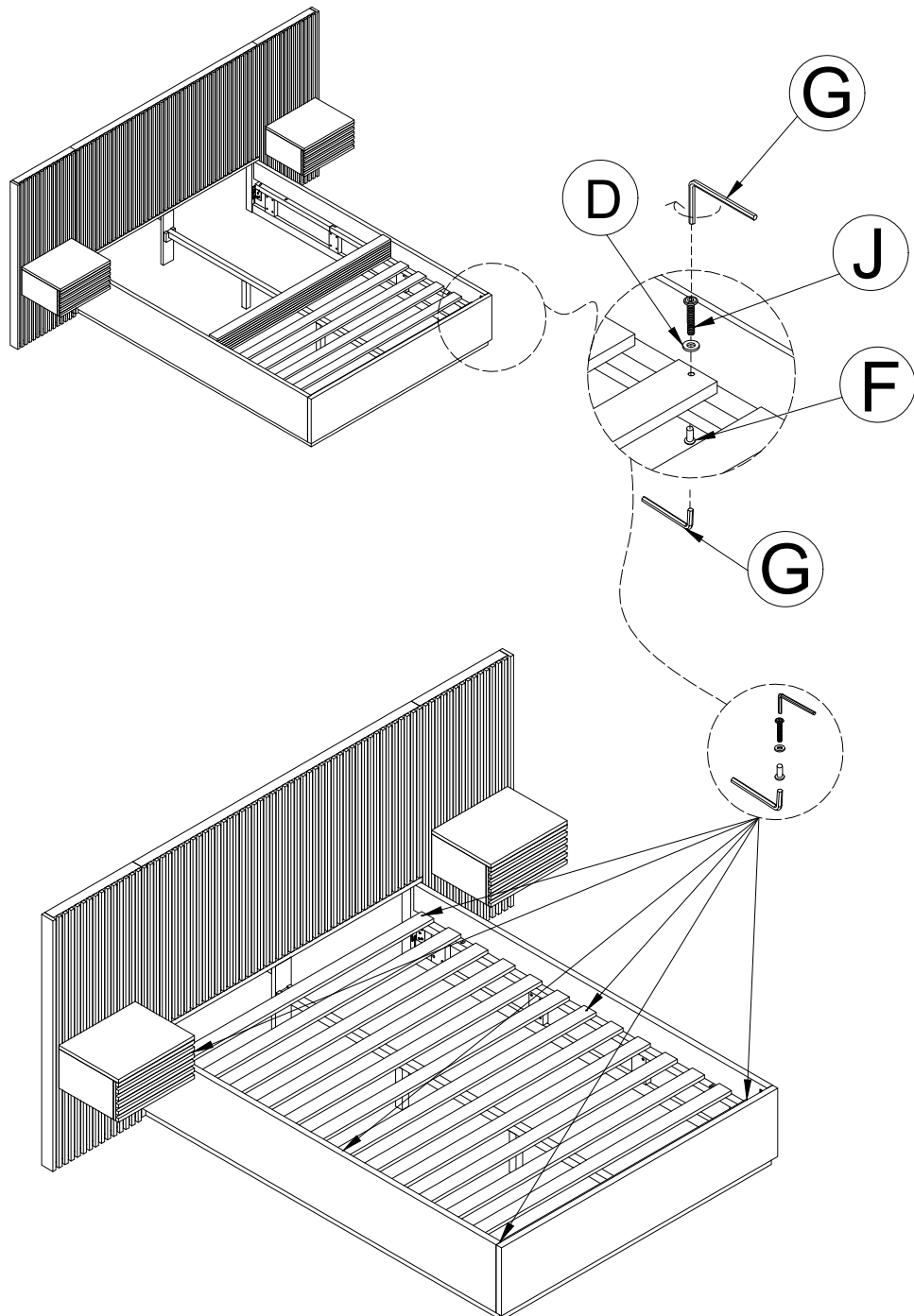
ASSEMBLY

SOLID SLATS OPTION



NOTE: You have bought your bed, choosing one of two slat options; either solid or sprung. Although both assembly options are explained here only one will apply to you. Please follow the correct procedure for the slat system which you have chosen.

STEP 5



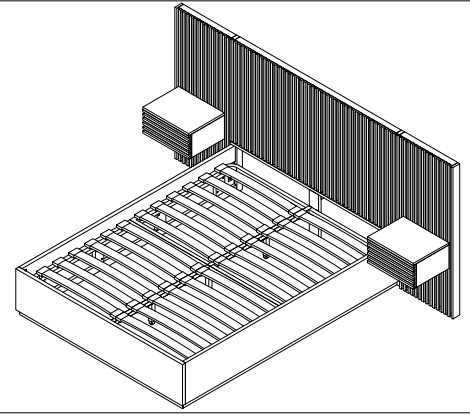
OPTION "1": DREAMS FIXED WOOD SLATS

Carefully locate the slats onto the unit:

Use Bolt (J), Washer (D) and Sleeve Nut (F) to fix the unit using Allen Key (G).

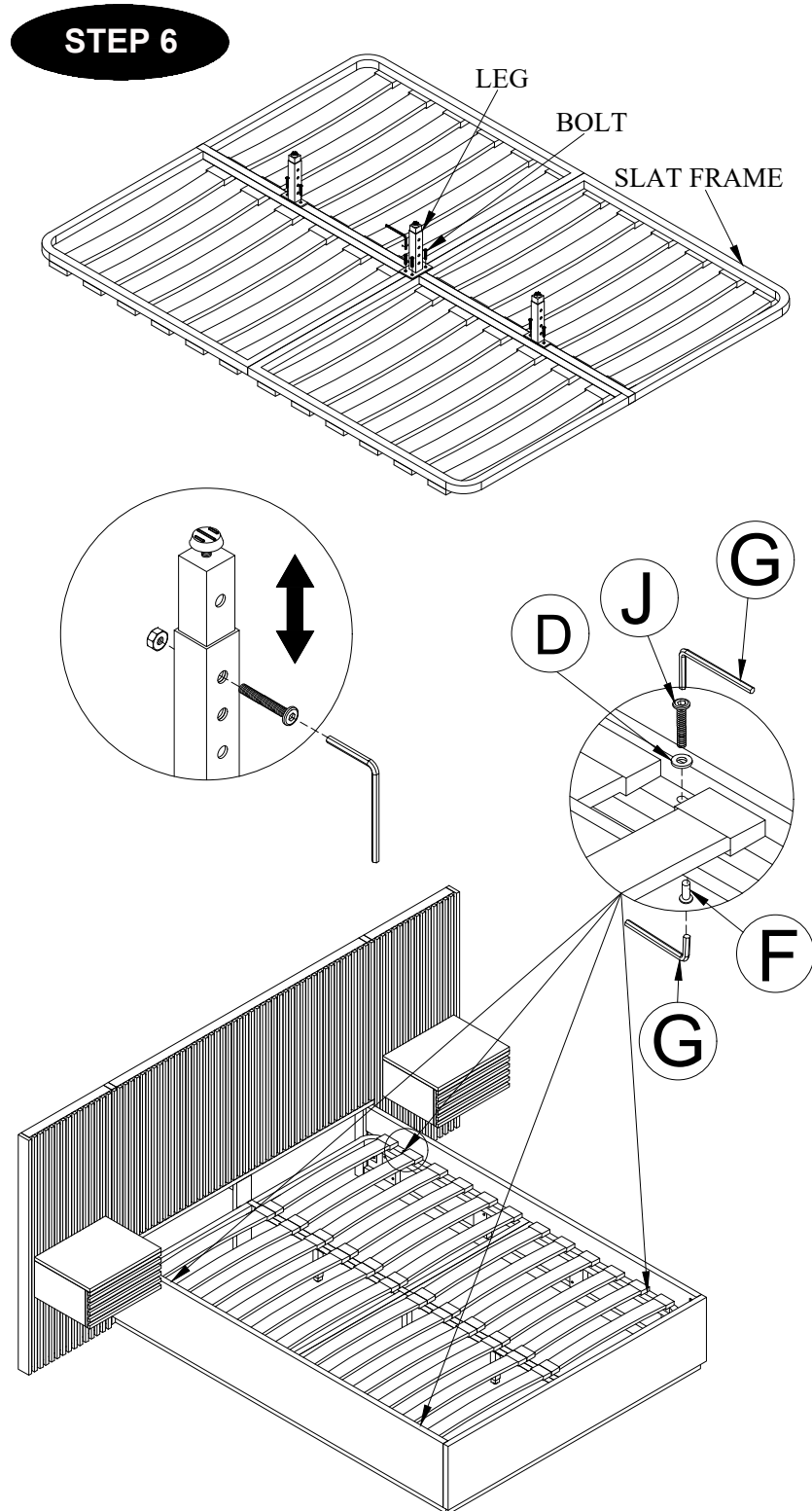
ASSEMBLY

SPRUNG SLATS OPTION



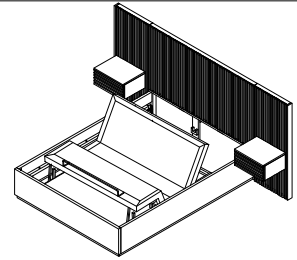
OPTION "2": DREAM SPRUNG SLATS

- (1) Use the bolt to fix support leg onto the slat frame. Please note that these bolts are to be found inside the slat frame box
- (2) Carefully locate the slats onto the unit.
- (3) Use Bolt (J), Washer (D) and Sleeve Nut (F) to fix the unit using Allen Key (G).



ASSEMBLY

SLEEPMOTION OPTION

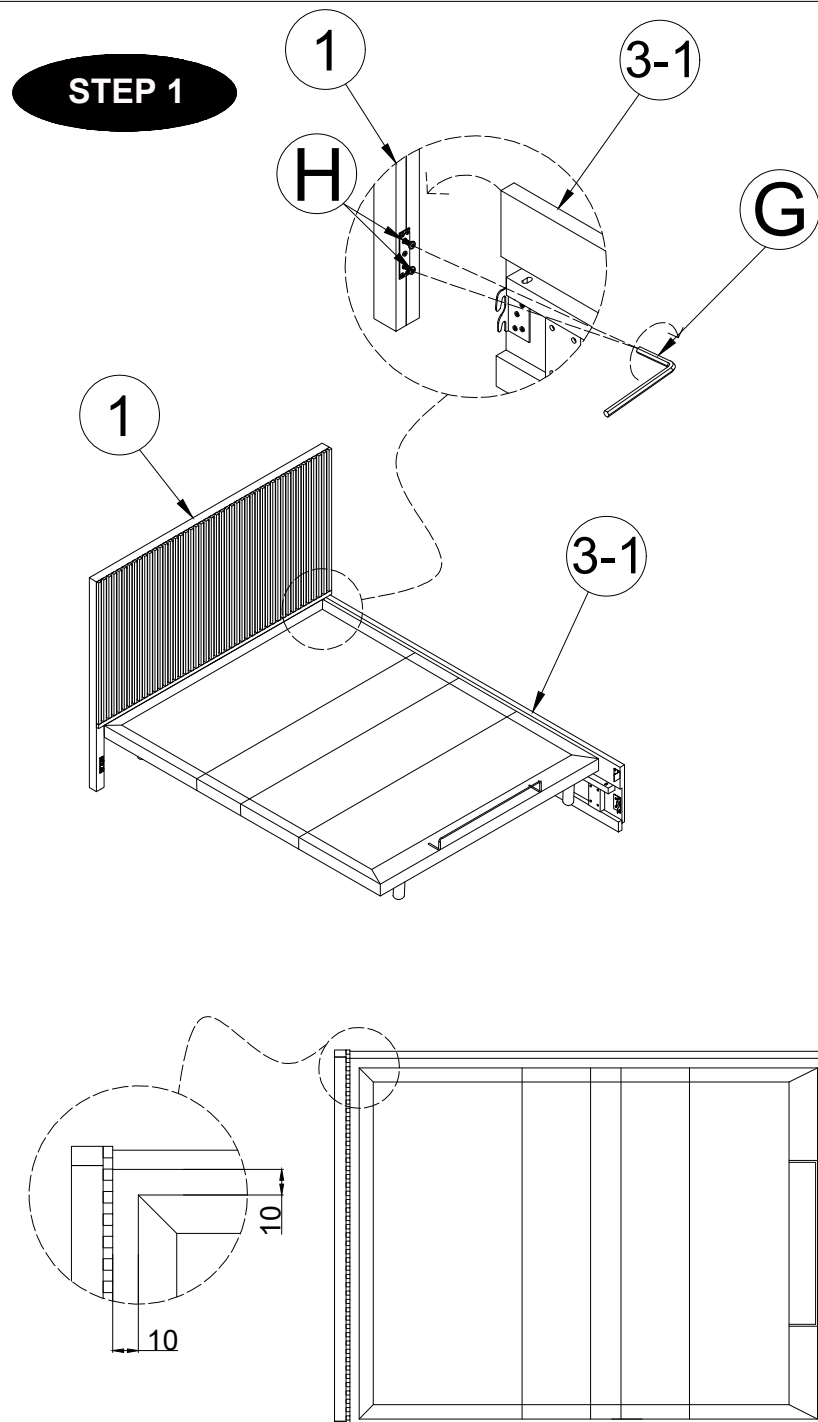


BEFORE STARTING ASSEMBLY PLEASE REFER TO THE OWNERS MANUAL SUPPLIED WITH YOUR SLEEPMOTION BED BASE AND FOLLOW THE INSTRUCTION TAKING NOTE OF ANY SAFETY PRECAUTIONS OR OPERATIONAL SAFETY REQUIREMENTS OF THE INSTALLATION. BUILD THE BED BASE FIRST USING ONLY THE EIGHT LONGER LEGS 6"(15cm), SEE STAGE 1. IMPORTANT: PLACE THE BASE IN FINAL POSITION IN THE ROOM OF USE, CONNECT THE POWER AND CHECK THE OPERATION THEN STEP BY STEP FOLLOW THE BED ASSEMBLY INSTRUCTION BELOW, TO BUILD THE BED AROUND THE SLEEPMOTION BED BASE

OPTION "3": DREAMS SLEEPMOTION

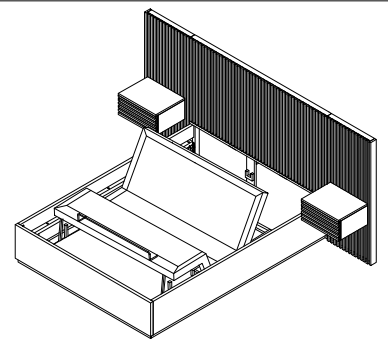
-Place the Headboard (1) on the top edge to Sleepmotion attach the Side Rail (3-1) using bolt mounted on the Headboard with Allen Key (G).

-Place the Assembled parts 10mm from the corner of Sleepmotion as illustrated.



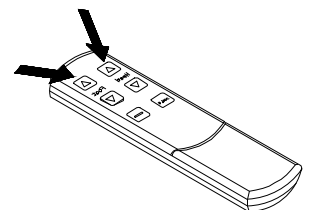
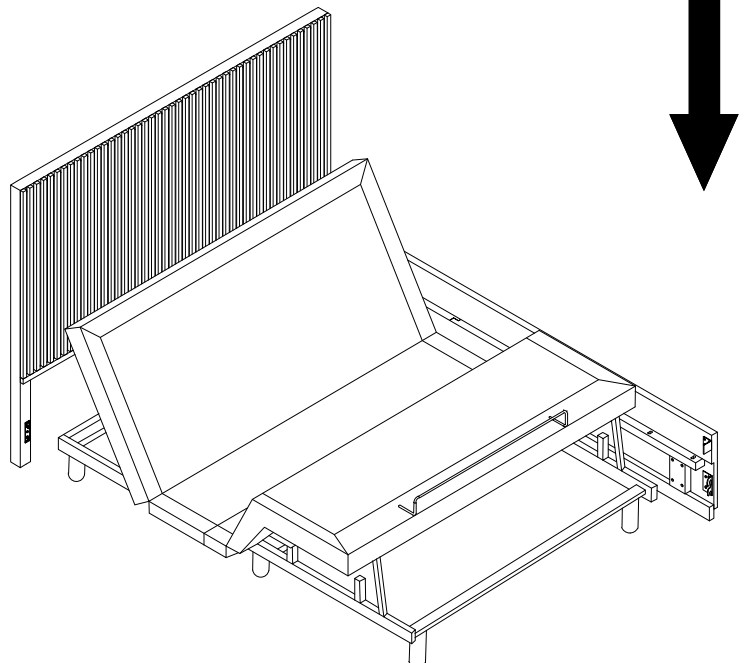
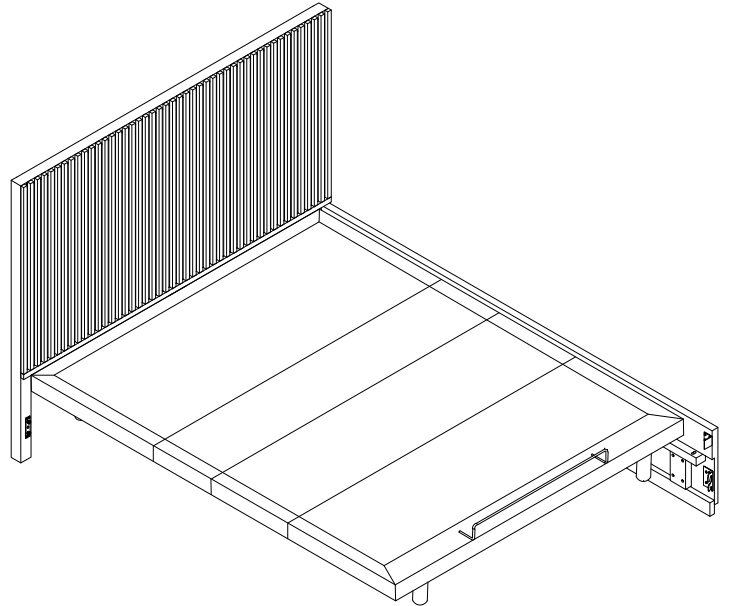
ASSEMBLY

SLEEPMOTION OPTION



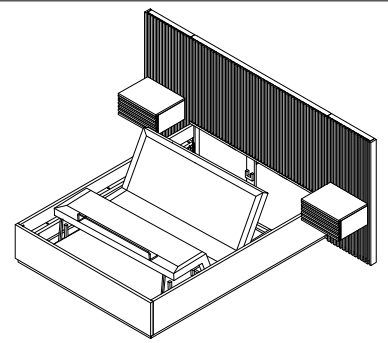
-Raise the Headboard and Footboard of the Sleepmotion using the supplied remote control.

STEP 2



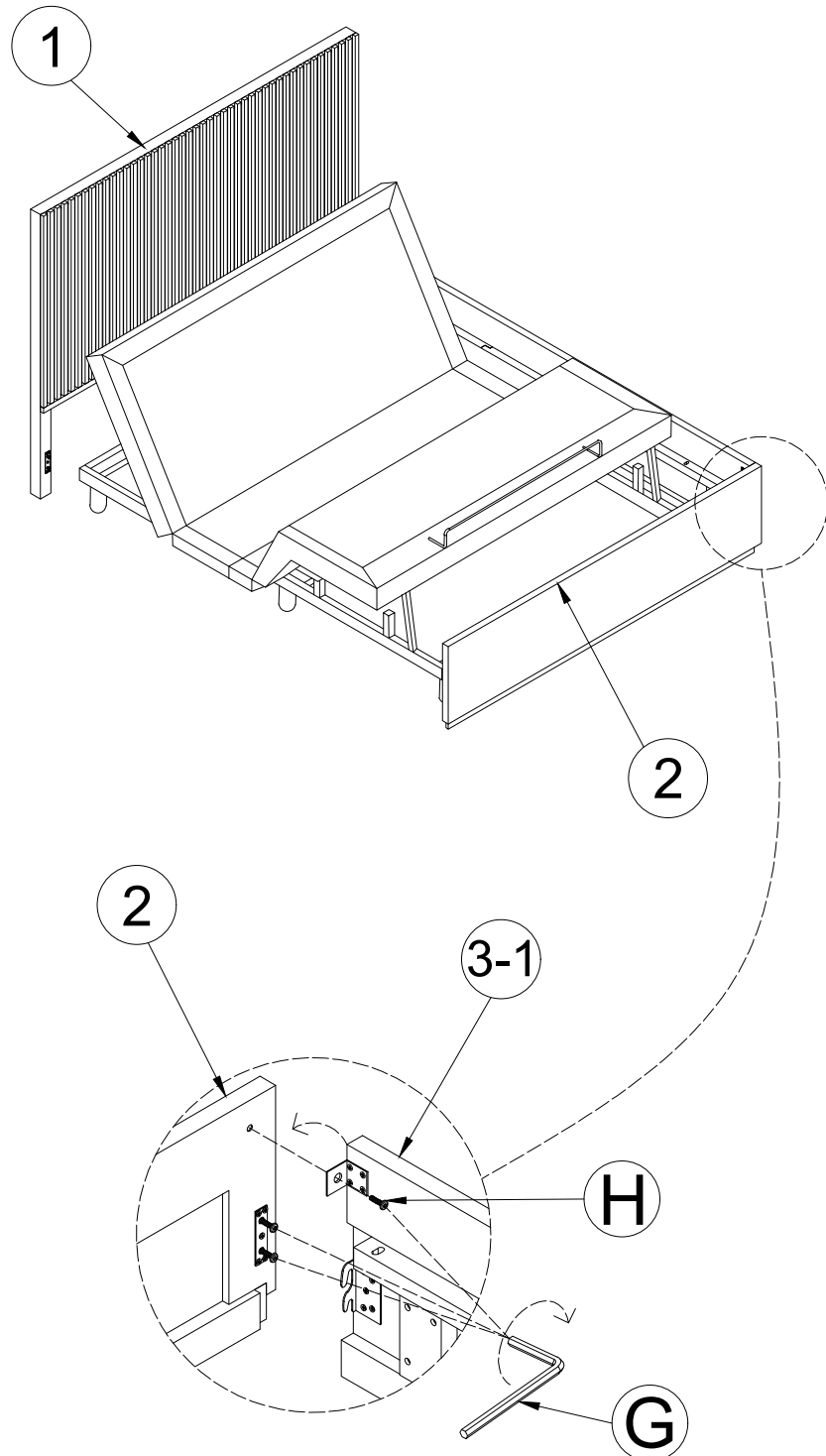
ASSEMBLY

SLEEPMOTION OPTION



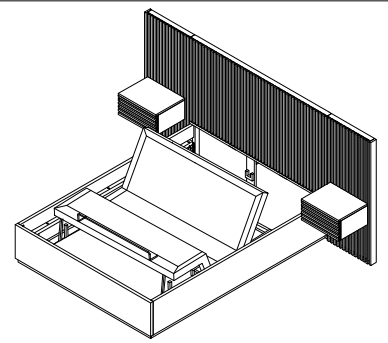
Position the Footboard (2) to assemble with the Side Rail (3-1) using the bolt mounted in the Footboard and Bolt (H) with Allen Key (G).

STEP 3



ASSEMBLY

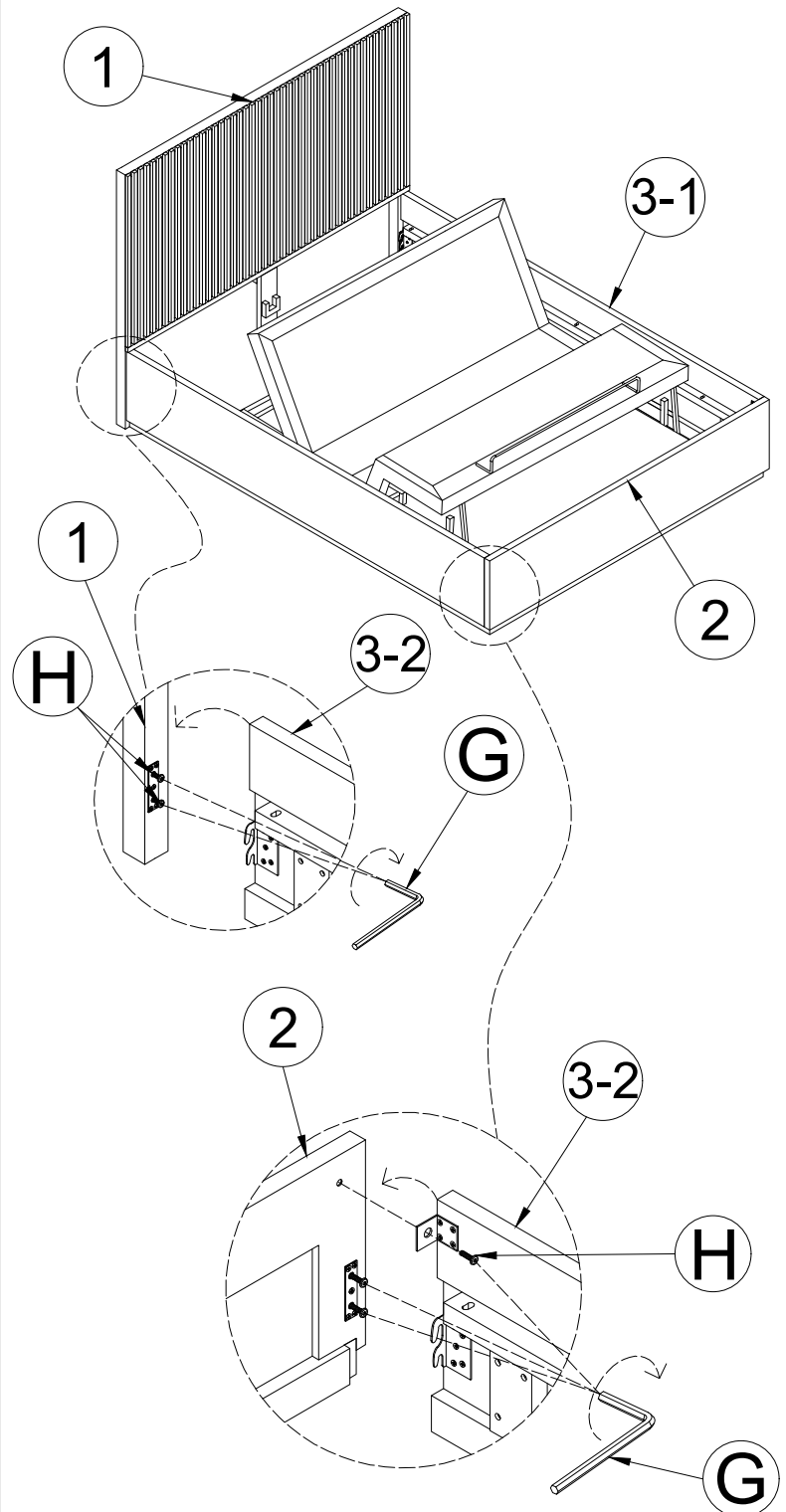
SLEEPMOTION OPTION



Make sure everything is working properly then fit second side rail.

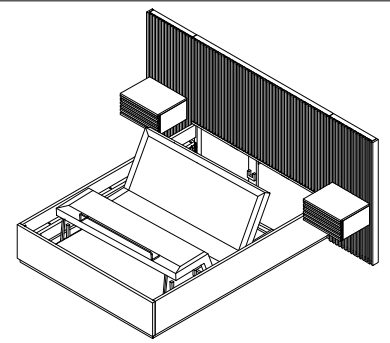
Attach the other Side Rail (3-2) to Headboard (1) and Footboard (2) using the bolt mounted on Headboard, Footboard and Bolt (H) with Allen Key (G).

STEP 4



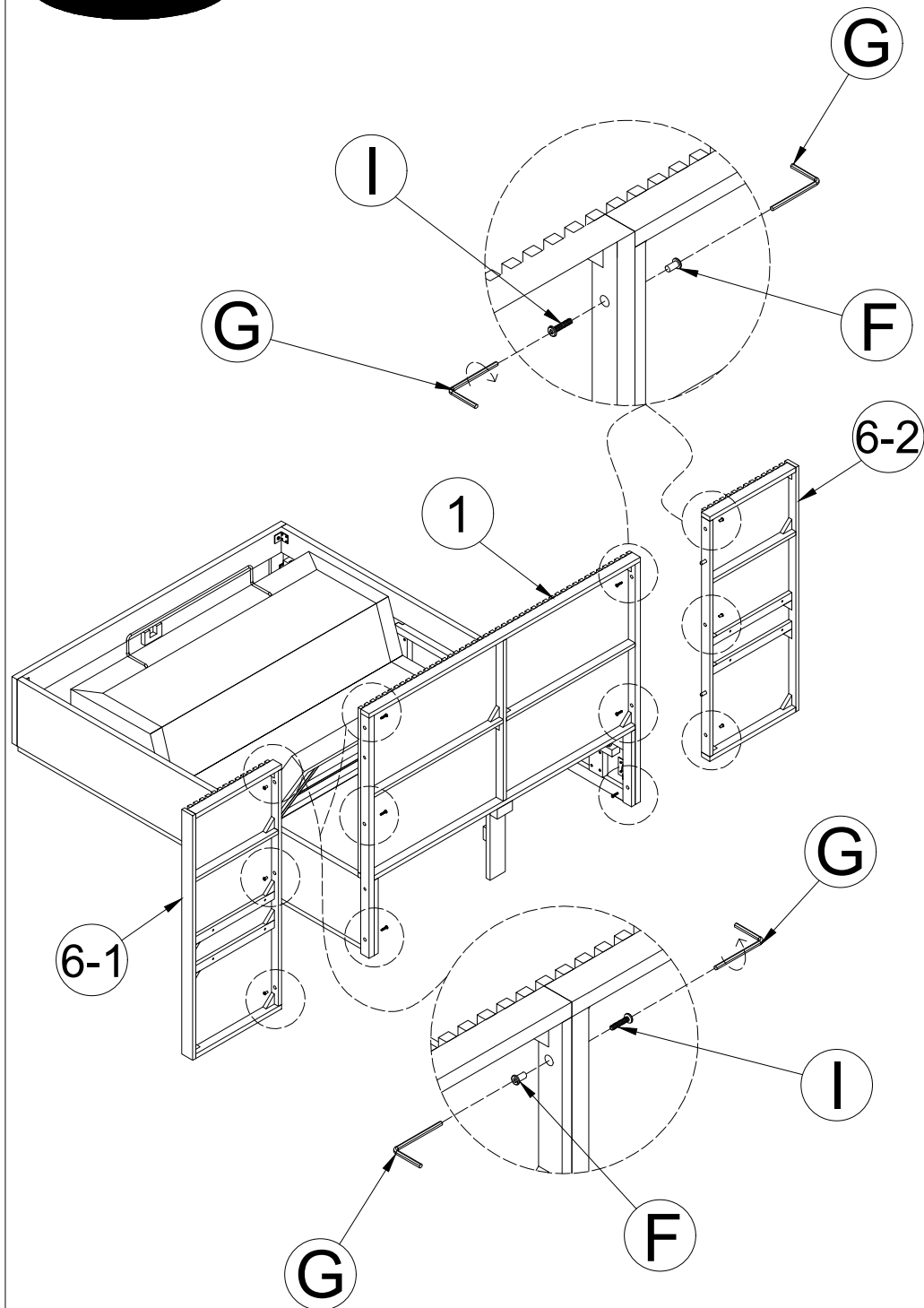
ASSEMBLY

SLEEPMOTION OPTION



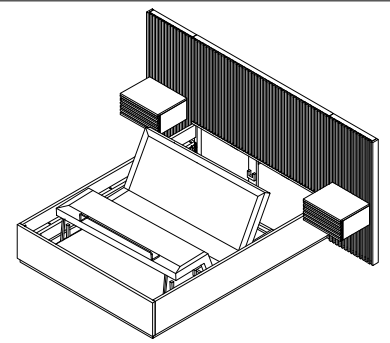
Position Side Frames (6-1) and (6-2) onto Headboard (1) using Bolt (I), Sleeve Nut (F) to fix the units using Allen Key (G).

STEP 5



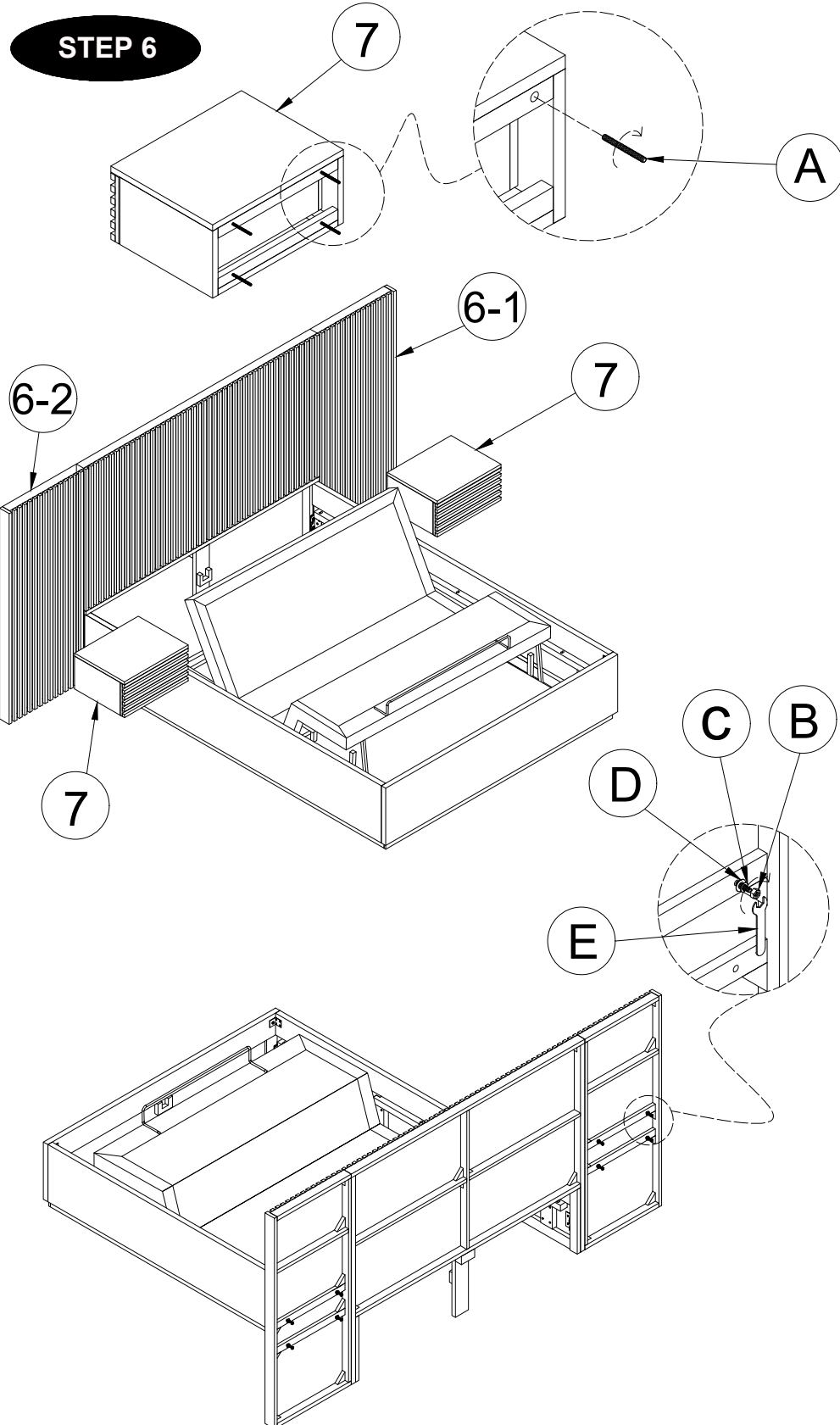
ASSEMBLY

SLEEPMOTION OPTION



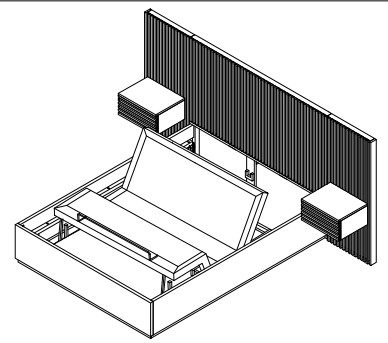
1 - Use Bolt (A) attached to the back of the Drawer Frames (7). Fully tighten Bolt (A).

2 - Position the Drawer Frames (7) onto Side Frames (6-1) and (6-2) using Nut (B), Lock Washer (C) and Flat Washer (D), tighten using Wrench (E).



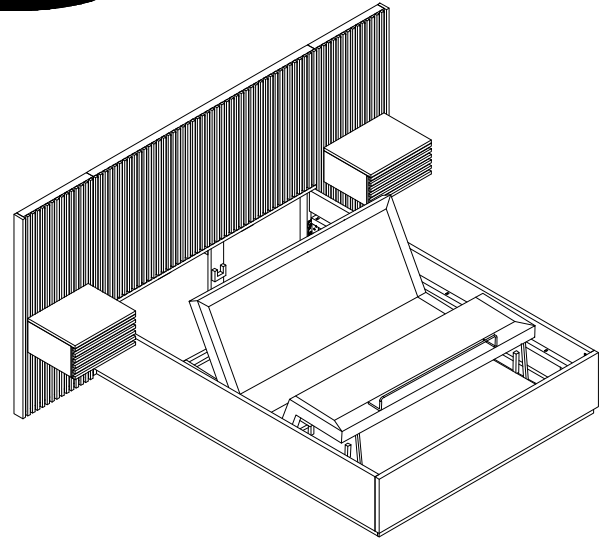
ASSEMBLY

SLEEPMOTION OPTION

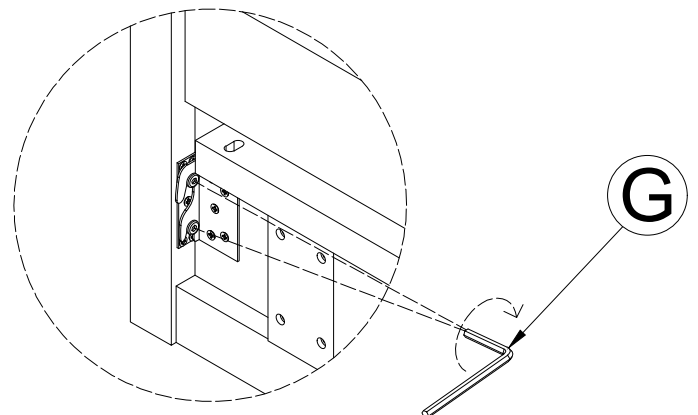
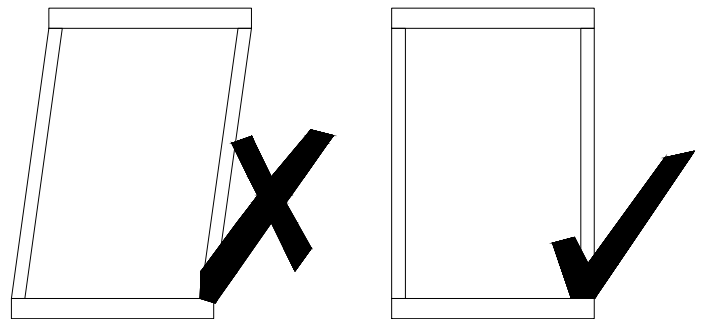


MAKE SURE THAT THE
BED IS SQUARE UP AS
SHOWN ON THE RIGHT.

STEP 7

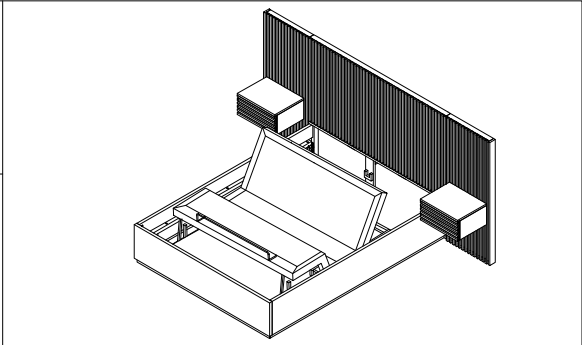


FULL TIGHTEN ALL
BOLTS using Allen Key
(G).



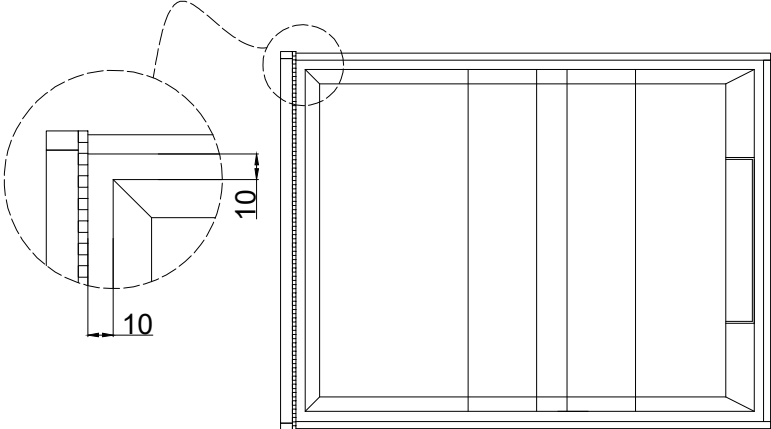
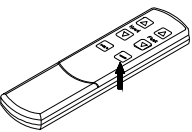
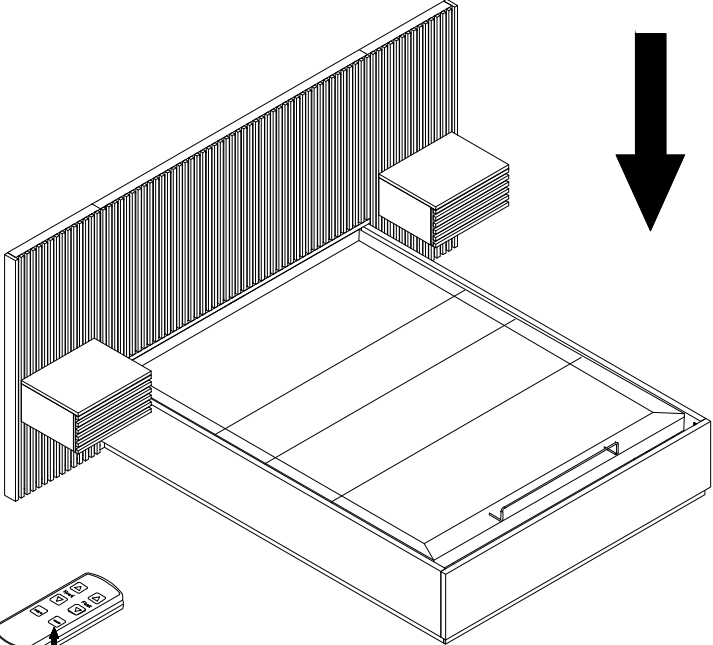
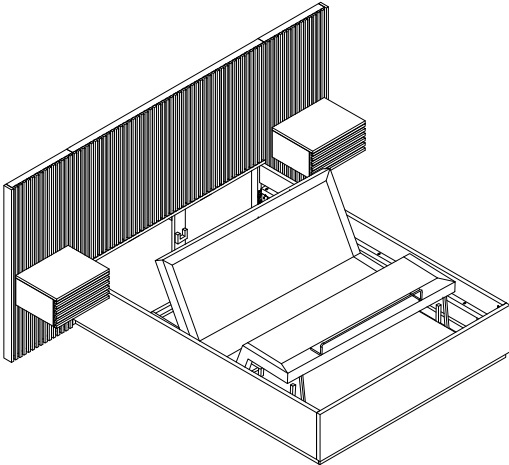
ASSEMBLY

SLEEPMOTION OPTION



Make Certain Gaps around the Bed Base are correct.

STEP 8



Care and maintenance

Here are some tips to keep your new bed in tip-top condition



Cleaning

To clean your new bed, we'd advise using a warm damp cloth - please do not use abrasive chemicals or bleach as this may damage the product.



Checking and moving

Periodically we recommend you check that the screws or fixtures haven't been become loose, over time. To move your new bed, we recommend lifting it where possible, as dragging or pushing it could cause damage to your flooring.



Wood

Please note each of our wooden pieces are unique, meaning that markings and shade can vary slightly between beds. Over a period of time, the wood might lighten or fade slightly due to light exposure.



Fabric

Please note depending on the lighting, positioning and surroundings of your room, the shade of the colour can sometimes appear slightly different. Over a period of time, the colour might lighten or fade slightly due to light exposure.



Metal

Metal tends to be more resilient to everyday wear and tear. We recommend to gently dust your metal furniture and keep it dry to maintain its look.

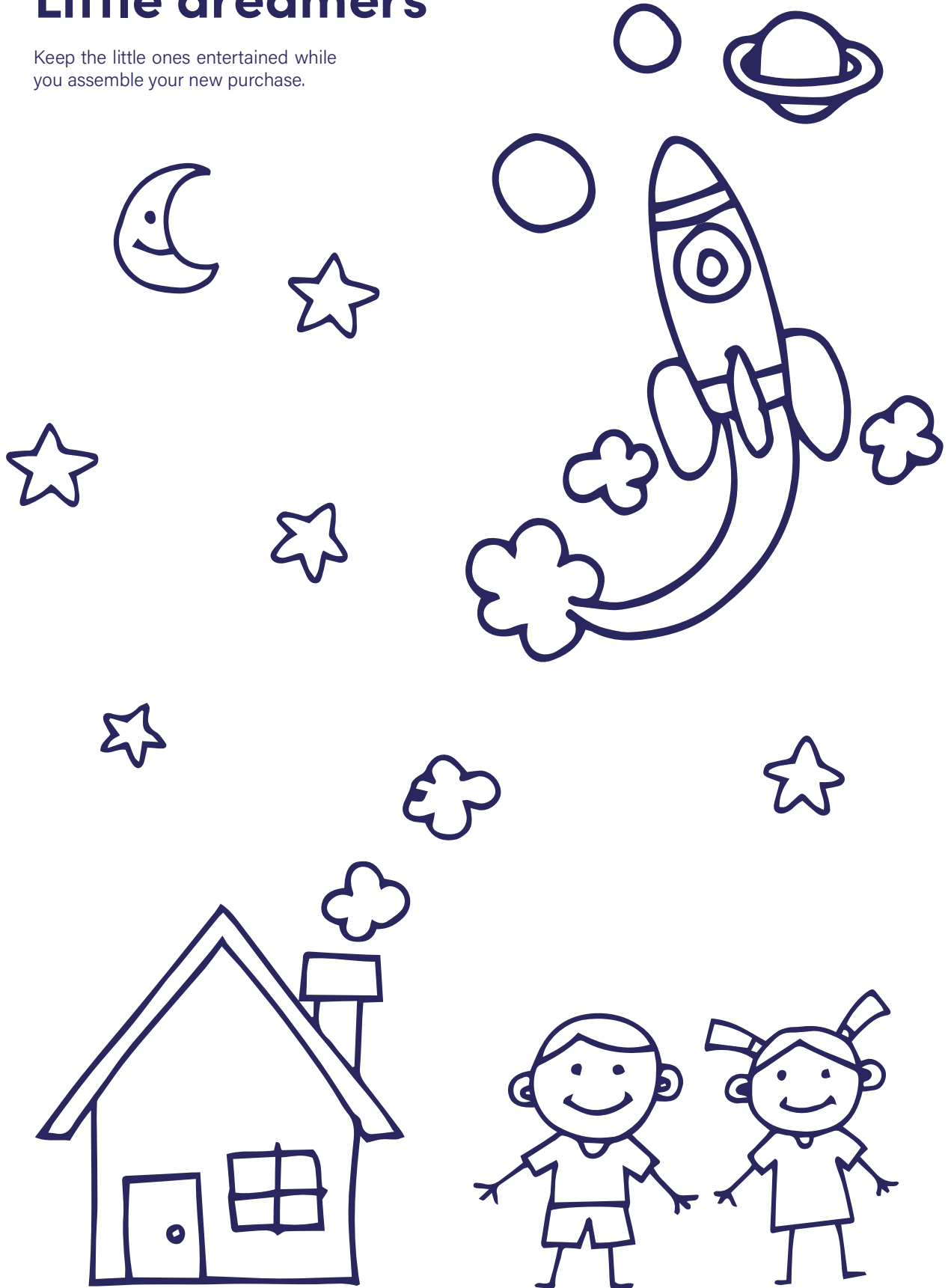
Thank you for shopping with us - we hope you have a great night's sleep

Sleep well



Little dreamers

Keep the little ones entertained while you assemble your new purchase.



Dreams
COUNTRY LIVING