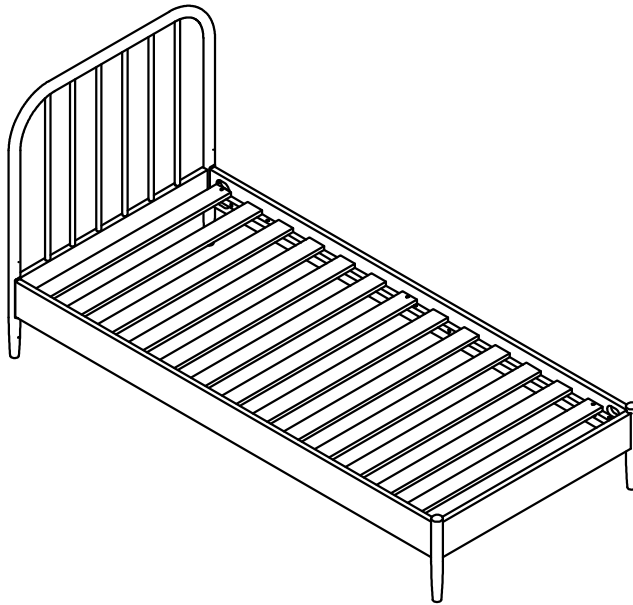
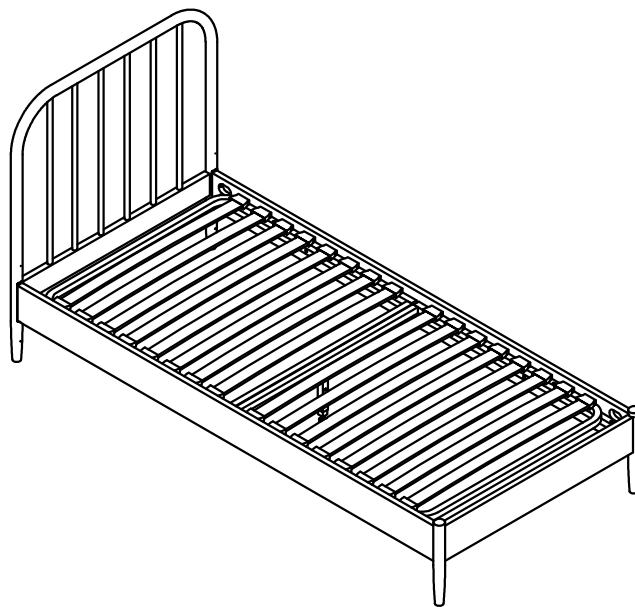


Trafford Single Bed

WOODEN BASE



METAL BASE



1 hour approx
assembly time



Two person
assembly

Dreams

Thank you

Hello, thanks for choosing to purchase your bed from Dreams - you're now on your way to your best Ever night's sleep. Before you begin building your bed, please take a moment to read through the Instructions and make sure that you've got all the relevant parts listed on the following pages.



Assembly tips

Before you begin, it's best to identify all parts and fittings to build your bed. We advise laying these out on the floor to check you have everything, and familiarising yourself before building.



Top tip

We recommend that you build your new bed in the room you'd like it to be Located - this will help prevent any risk of damage to your newly built bed Whilst moving it .



Safety and care

It's really important to ensure children and animals are kept away from the assembly area, as there are small components used in this bed which could present a choking hazard, All plastic and wrapping materials should also be kept away from children and animals to prevent any risk of suffocation. To keep your little ones busy, there is a colouring page inside the back cover.



Help and support

At Dreams, it's our mission to give the whole nation a great night's sleep - this means that the quality of our products is of utmost importance to us. If there are any issues with your product or any missing parts, please visit our website at [www.dreams.co.uk /help](http://www.dreams.co.uk/help)



Recycling

Please ensure that packaging is disposed of in a safe and environmentally friendly way, and recycle where. Please keep your assembly instructions safe to refer back to in the future.

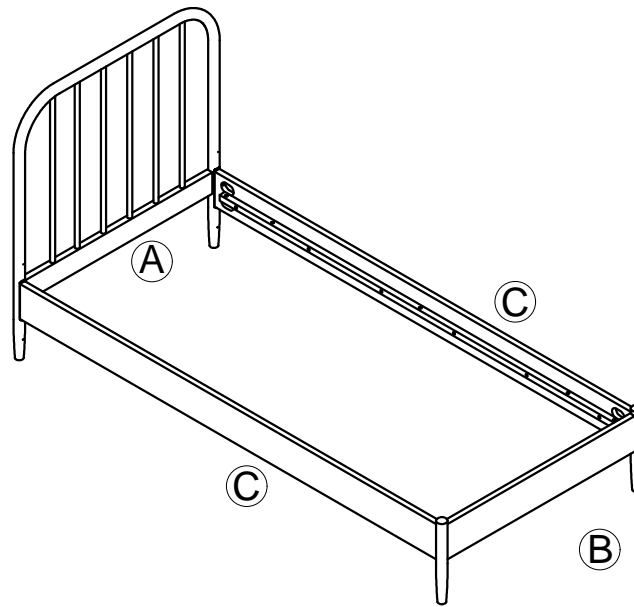
Parts

Important information

Please identify which base you have purchased with your bed frame as the assembly method may change. Once you have identified you have all of the relevant parts and fittings, please follow the instructions for your chosen base below;

Static : page (5-8)

STATIC



Parts List

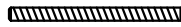
A.	Headboard	1
B.	Footboard	1
C.	Side Rail	2

Fittings

Please check you have all the parts listed below with your product:



(D) Connect
x8pcs



(E) Connect Bolt
M8x74
x8pcs



(F) Spring Washer
Ø8
x8pcs



(G) Nut
M8
x8pcs



(H) Wood Dowel
Ø10x40
x4pcs



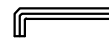
(I) Bolt
M6x35
x6pcs



(J) Jnc Nut
M6x22
x6pcs

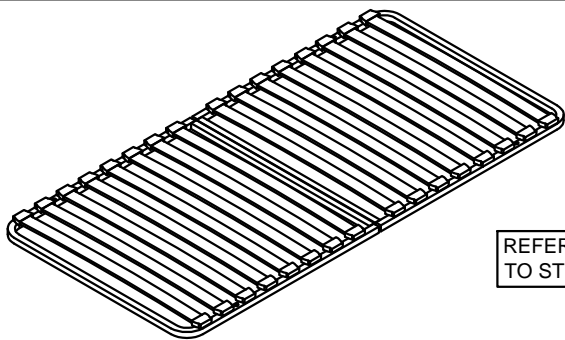


(K) Spanner
x1pc

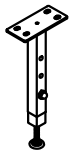


(L) Allen Key M4
x1pc

Identify the slat system you have purchased...



AJ1-SPRUNG SLAT SYSTEM

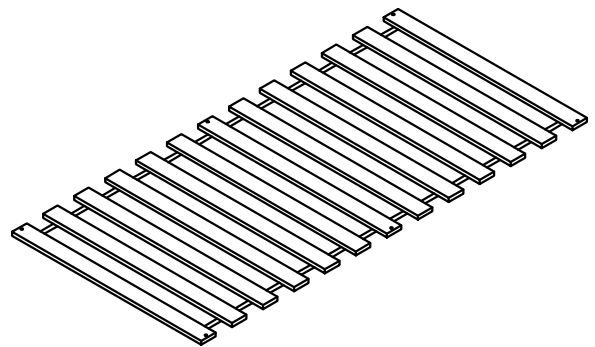


AJ4-METEL CENTER
SUPPORT LEG (B)X1

REFER STEP 3
TO STEP 4



AJ2-ALLEN HEAD
SCREW X 4



STANDARD WOODEN SLAT SYSTEM

REFER STEP 5
TO STEP 6



Tools required

Please check you have all these below:



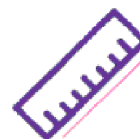
Flathead
screwdriver



Scissors



Spanner



Tape measure



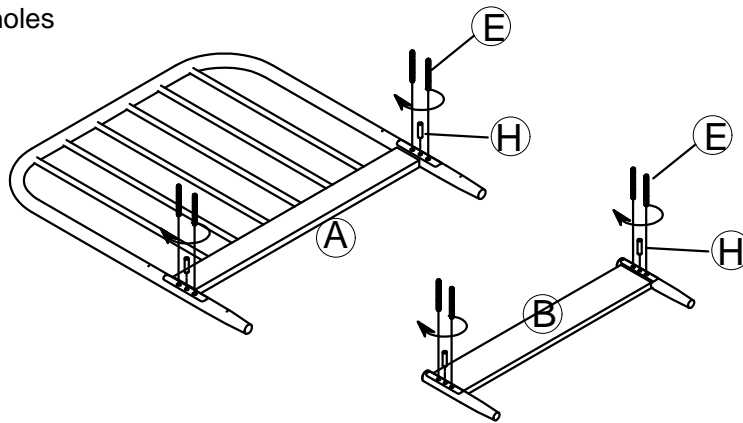
Cross head
screwdriver

Static Bed Assembly

1

Screw the connecting bolt (E) into headboard(A) and footboard(B) as shown.

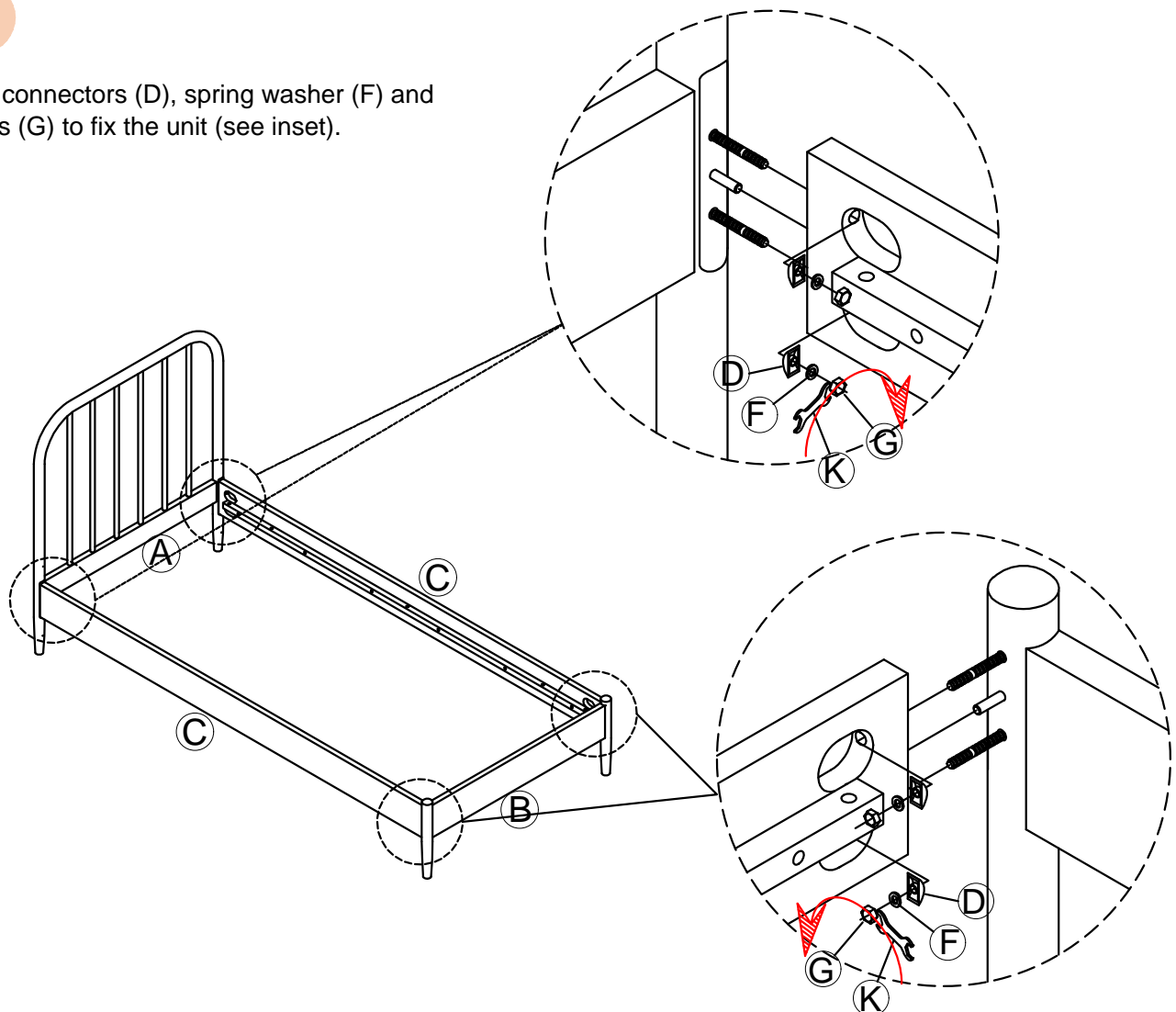
Knock the dowels (H) into the holes indicated on head&footboard.



Cross Rail Assembly

2

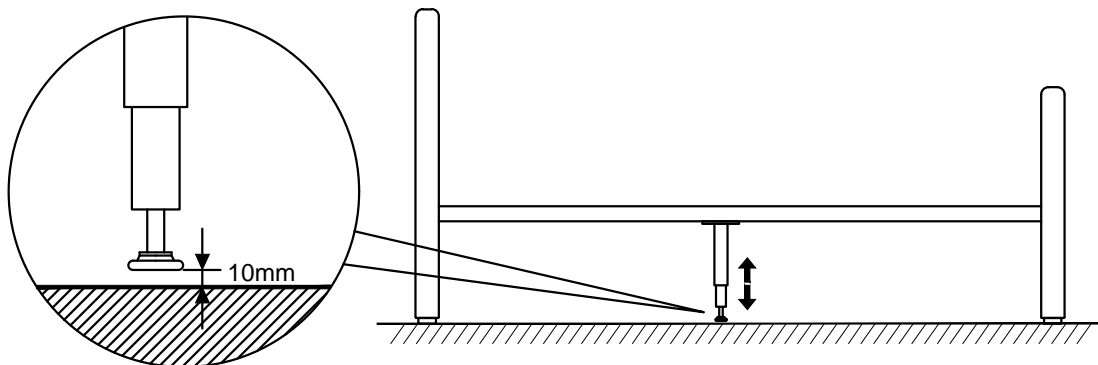
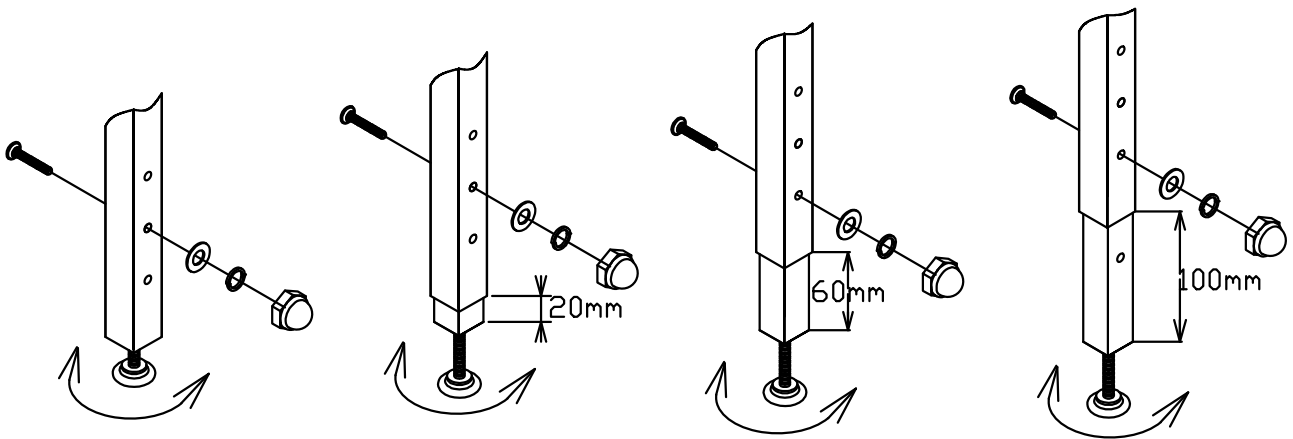
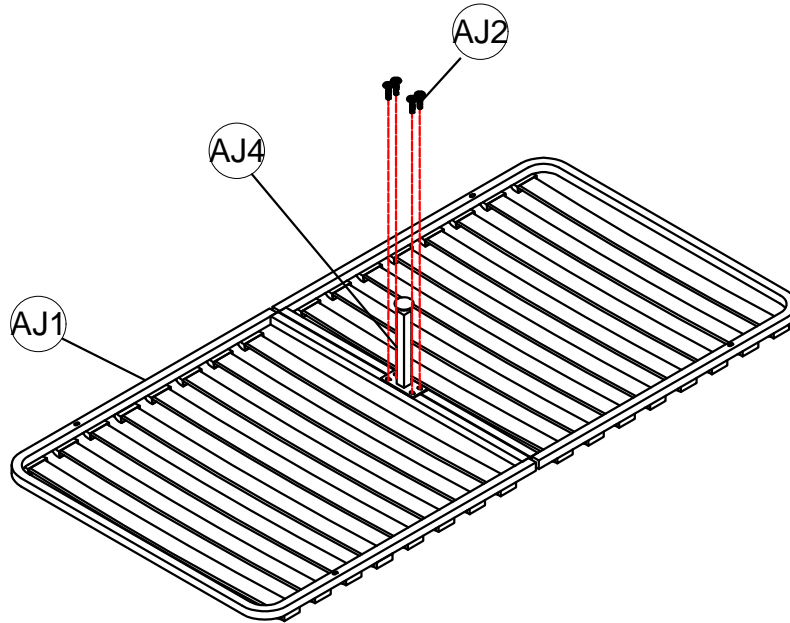
Use connectors (D), spring washer (F) and Nuts (G) to fix the unit (see inset).



Metal support Leg Assembly

3

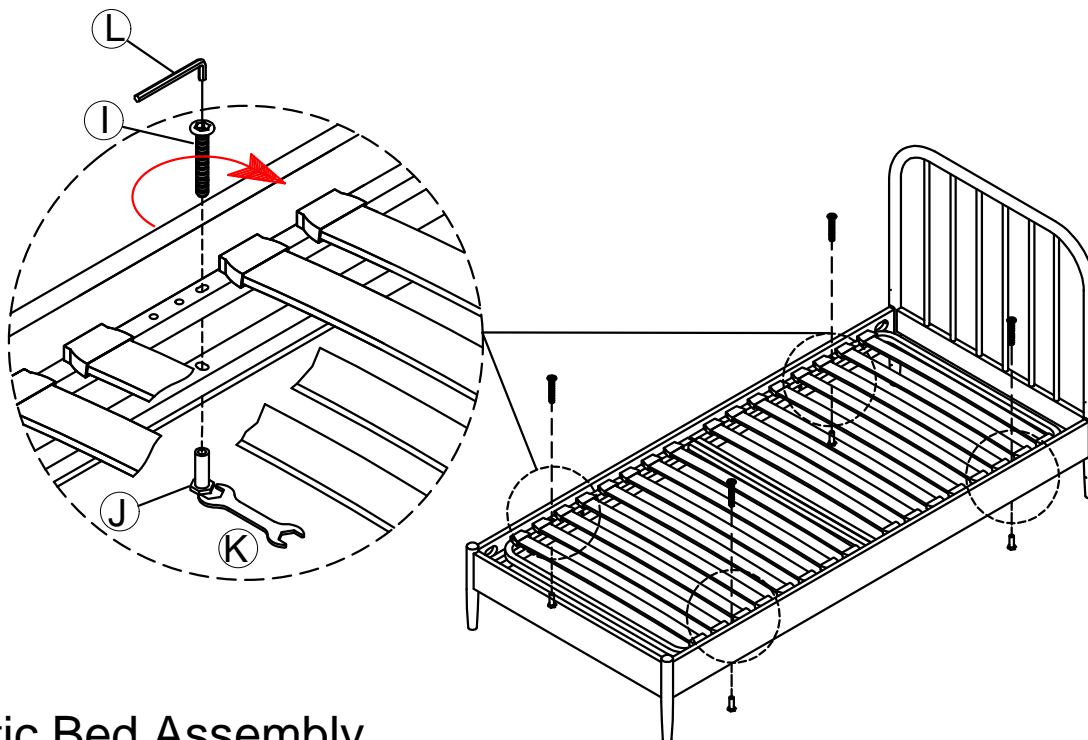
Attach the Metal Center Support Leg (AJ4) to the middle of Sprung Slat (AJ1) with screw (AJ2) Using Allen Key (L) provided as shown.



Static Bed Assembly

4

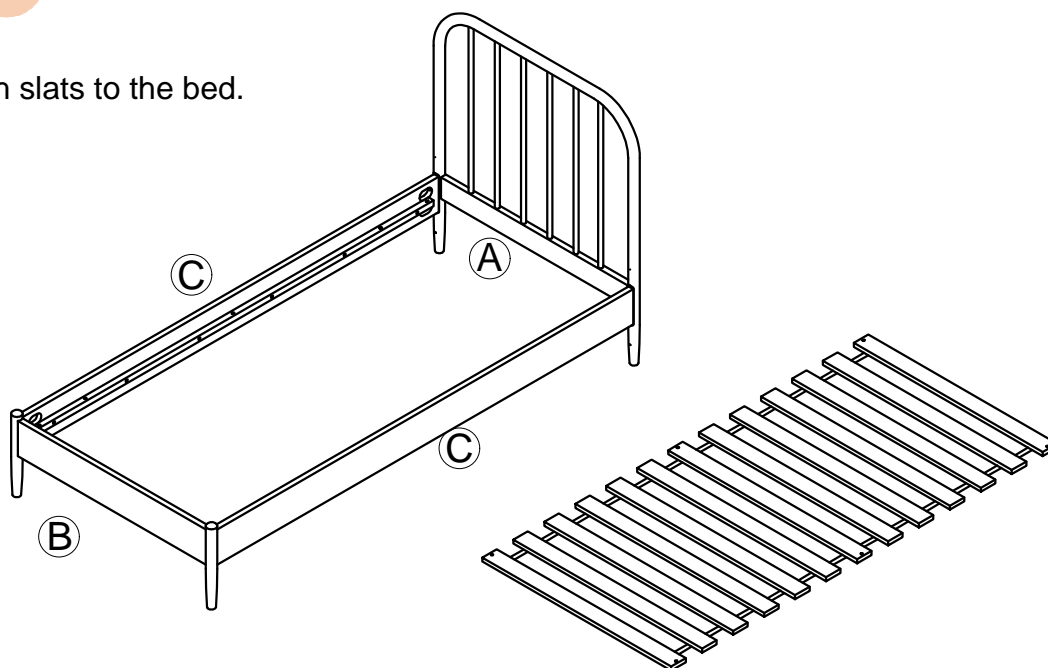
Attach the Sprung Slat System to the bed as shown. Tighten the screw to the side rail support using hardware (I),(J),(L) & (K).



Static Bed Assembly

5

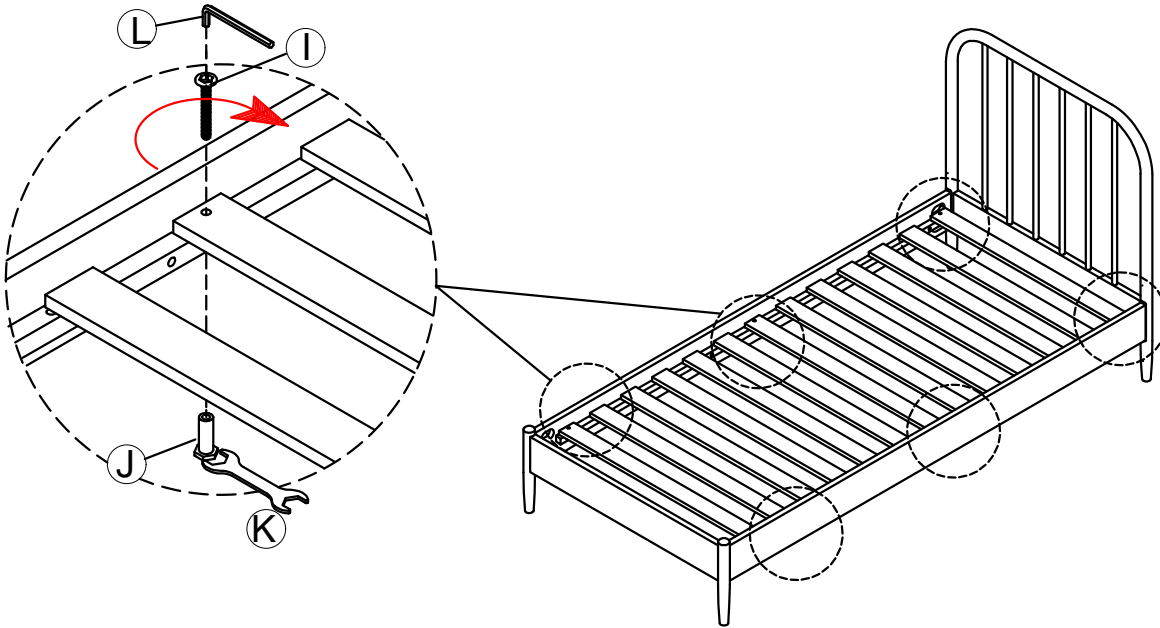
Attach slats to the bed.



Static Bed Assembly

6

Tighten the Slat to the Side Rail support using hardware (I),(J),(L) & (K) as shown.



Care and maintenance

Here are some tips to keep your new bed in tip - top condition



Cleaning

To clean your new bed, we'd advise using a warm damp cloth - please do not use abrasive chemicals or bleach as this may damage the product.



Checking and moving

Periodically we recommend you check that the screws or fixtures haven't been become loose, over time. To move your new bed, we recommend lifting it where possible, as dragging or pushing it could cause damage to your flooring.



Wood

Please note each of our wooden pieces are unique, meaning that markings and shade can vary slightly between beds. Over a period of time, the wood might lighten or fade slightly due to light exposure.



Fabric

Please note depending on the lighting, positioning and surroundings of your room, the shade or the colour can sometimes appear slightly different. Over a period of time, the colour might lighten or fade slightly due to light exposure.



Metal

Metal tends to be more resilient to everyday wear and tear. We recommend to gently dust your metal furniture and keep it dry to maintain its look.

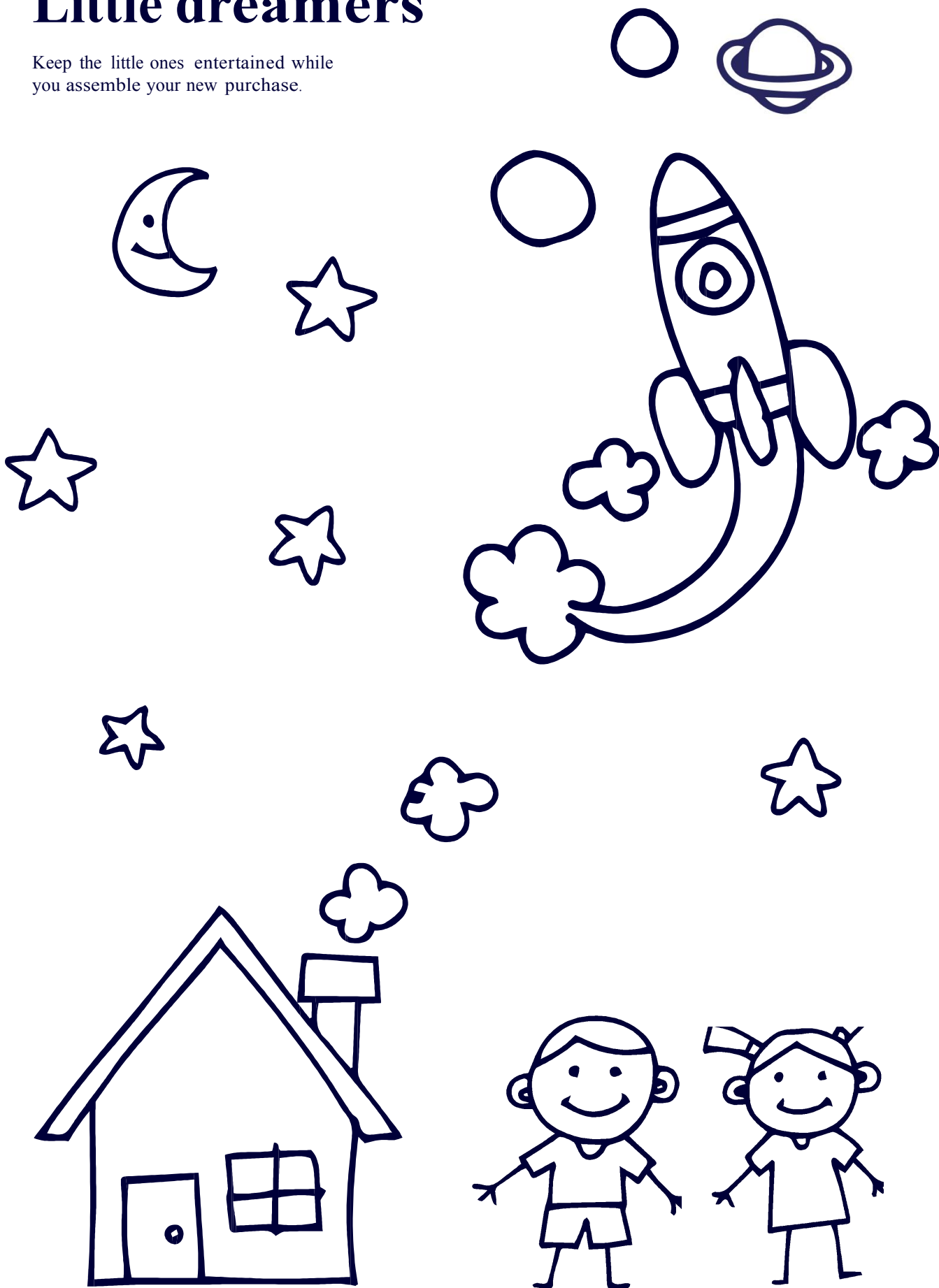
Thank you for shopping with us - we hope you have a great night's sleep

Sleep well



Little dreamers

Keep the little ones entertained while you assemble your new purchase.



Dreams