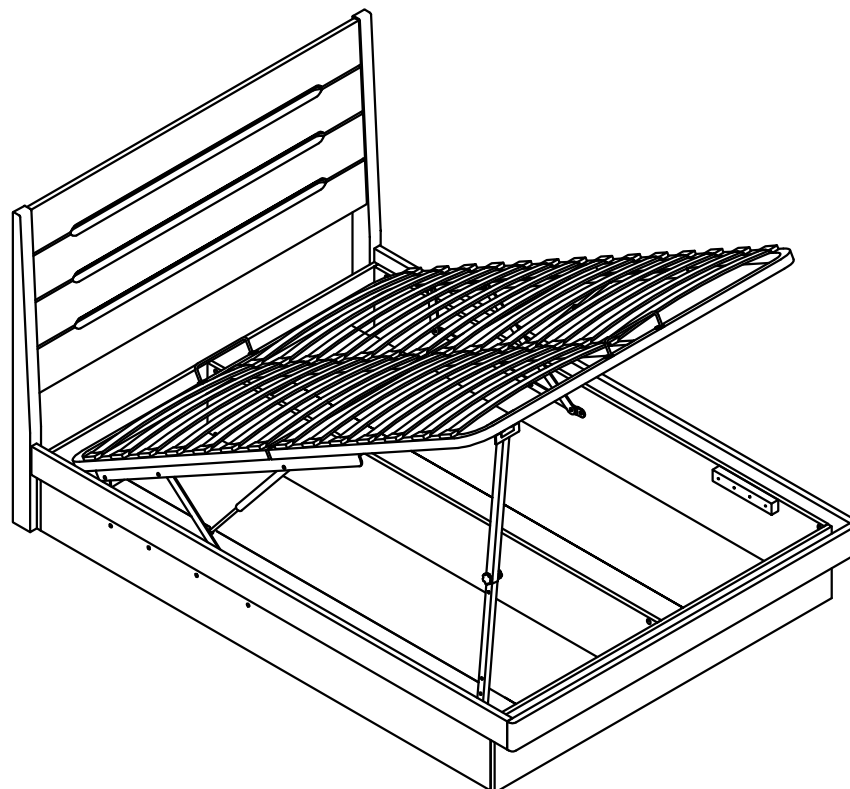


Lodge Double & King Bed V2

OTTOMAN



Important - read this guide carefully and retain for future reference.

Ottoman Safety Warnings

- You must ensure that the mattress is on the bed frame before operating the lift mechanism - Failure to do so could result in injury.
- Keep hands clear of the mechanism when opening or closing the ottoman.
- Beware of entrapment - Never reach in through the mechanism to access the storage area.
- Always engage the support bar when accessing the storage area.
- Always ensure that the ottoman is FULLY opened before accessing the storage area.
- Do not exceed the maximum weight as specified in the table below:

Bed	Bed Size	Piston strength (N/M)	Min Weight (kg)	Max Weight (kg)
Lodge (manual)	Double	600	20	42
	King	700	24	50



1 hour approx
assembly time



Two person
assembly

Dreams

Thank you

Hello, thanks for choosing to purchase your bed from Dreams - you're now on your way to your best Ever night's sleep. Before you begin building your bed, please take a moment to read through the Instructions and make sure that you've got all the relevant parts listed on the following pages.



Assembly tips

Before you begin, it's best to identify all parts and fittings to build your bed. We advise laying these out on the floor to check you have everything, and familiarising yourself before building.



Top tip

We recommend that you build your new bed in the room you'd like it to be located - this will help prevent any risk of damage to your newly built bed whilst moving it .



Safety and care

It's really important to ensure children and animals are kept away from the assembly area, as there are small components used in this bed which could present a choking hazard, All plastic and wrapping materials should also be kept away from children and animals to prevent any risk of suffocation. To keep your little ones busy, there is a colouring page inside the back cover.



Help and support

At Dreams, it's our mission to give the whole nation a great night's sleep - this means that the quality of our products is of utmost importance to us. If there are any issues with your product or any missing parts, please visit our website at [www.dreams.co.uk /help](http://www.dreams.co.uk/help)

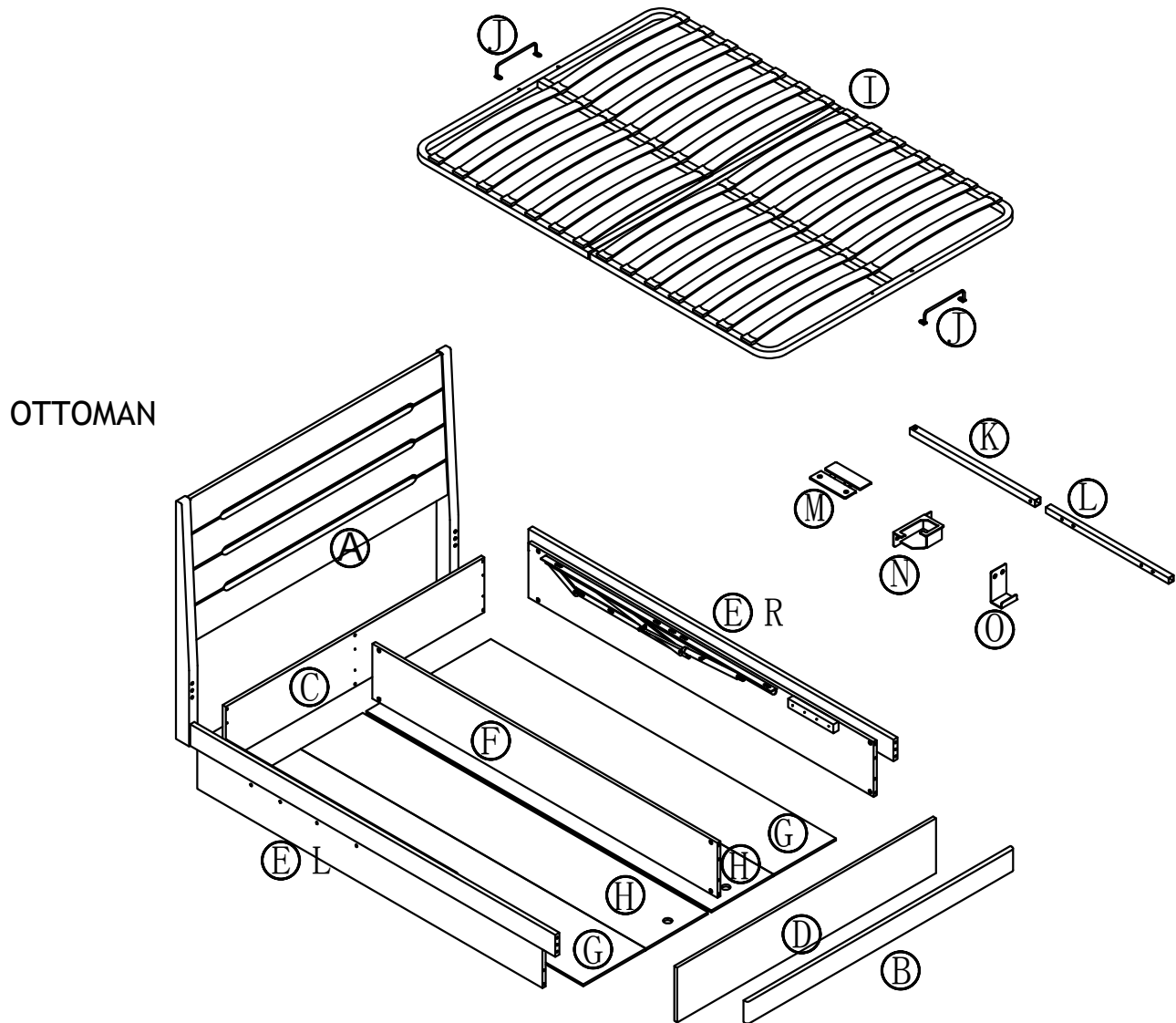


Recycling

Please ensure that packaging is disposed of in a safe and environmentally friendly way, and recycle where. Please keep your assembly instructions safe to refer back to in the future.

Parts

The bed you have purchased comes with a metal slat frame lifting from the front



Parts List

Ref	Description	Qty	Ref	Description	Qty
A.	Headboard	1	I.	Metal Slat Frame	1
B.	Footboard	1	J.	Mattress Stoppers	2
C.	Headboard Panel	1	K.	Ottoman stay support bar	1
D.	Footboard Panel	1	L.	Ottoman stay support bar	1
E.	Side Rails (Left & Right)	2	M.	Ottoman connect bracket	1
F.	Center Panel	1	N.	Ottoman stay bracket on side rail	1
G.	Base Boards	2	O	Ottoman stay bracket on slat frame	1
H.	Base Boards	2			

Fittings

Please check you have all the parts listed below with your product:



(a) Bolt (M8x95)
x4pcs



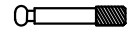
(b) Washer ($\frac{5}{16}$ ")
x4pcs



(c) Barrel Nut (Ø8)
x4pcs



(d) Locking Nut
x16pcs



(e) Locking Pin
x16 pcs



(f) Dowel (Ø10x40)
x4pcs



(g) Dowel (Ø8x30)
x12pcs



(h) Jcn Nut ($\frac{1}{4}$ ")
x4pcs



(i) Bolt ($\frac{1}{4}$ " x $\frac{3}{4}$ ")
x4pcs



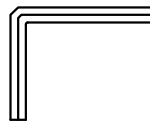
(j) Bolt (M8x20)
x10pcs



(k) Spanner
x1pc



(l) Allen Key (M4)
x2pcs



(m) Allen Key (M5)
x1pc



(n) Nut (M8)
x2pcs



(o) Bolt (M6x15)
x6pcs



(p) Bolt (M6x16)
x1pc



(q) Bolt (M6x30)
x1pc



(r) Nut (M6)
x1pc



Tools required

Please check you have all these below:



Scissors

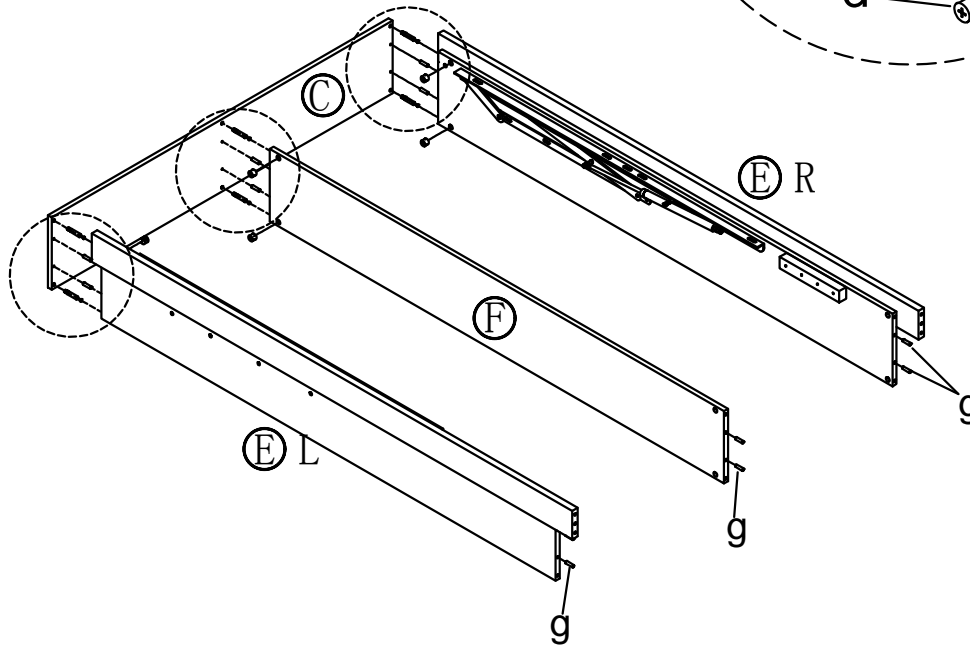
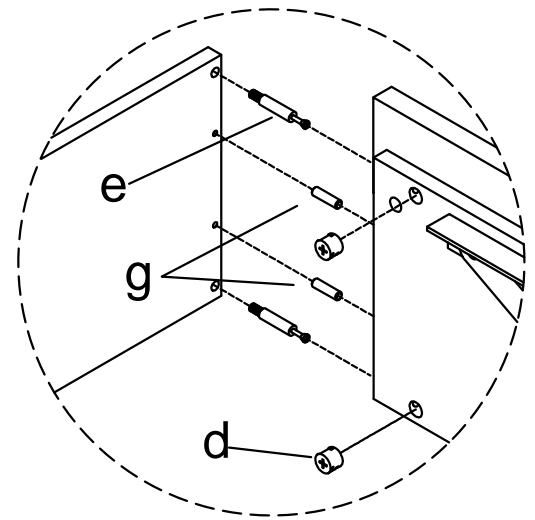


Tape measure

Ottoman assembly

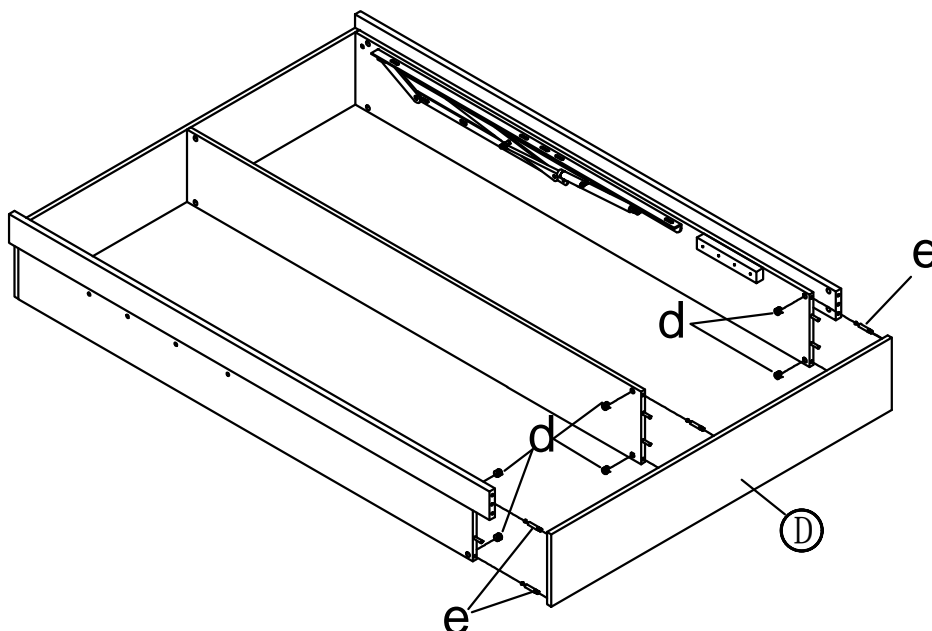
1

- 1) Fit Dowels (g) into holes in the ends of side rails (E) and center rail (F). Screw Locking Pins (e) into the headboard panel (C). Use Locking Nuts (d) to fix the headboard panel onto side rails (E) and center panel (F).
- 2) Please do not tighten any Locking Nuts yet.



2

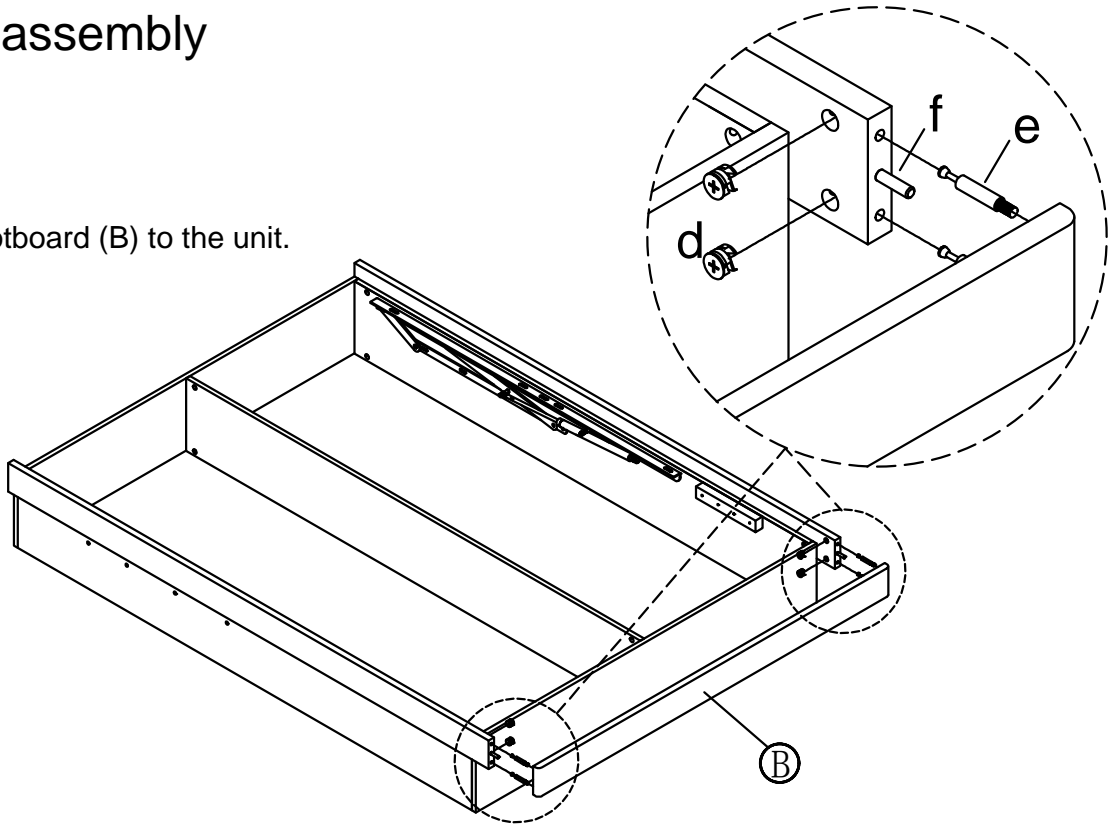
Assemble footboard panel (D) to the side¢er rails (E&F).
Secure by tightening the locking nuts in the same way as described in step 1.



Ottoman assembly

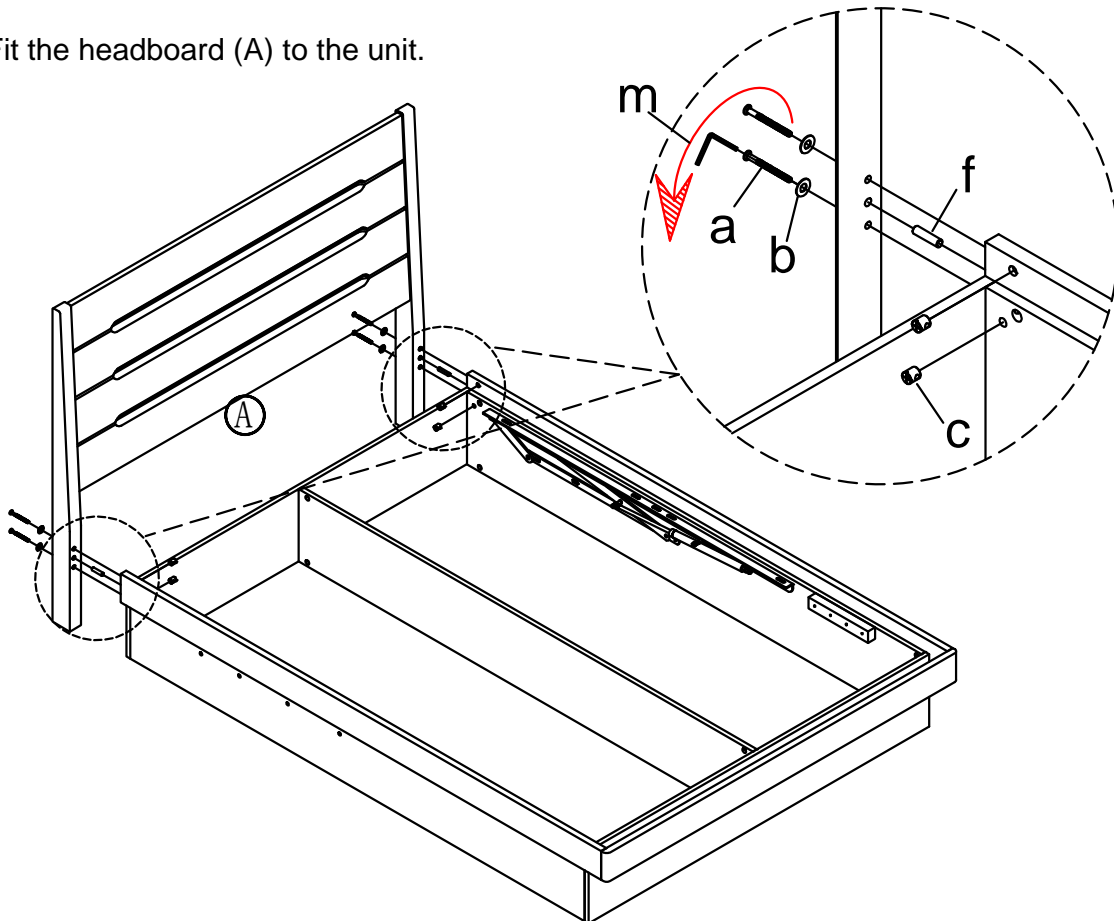
3

Fit the footboard (B) to the unit.



4

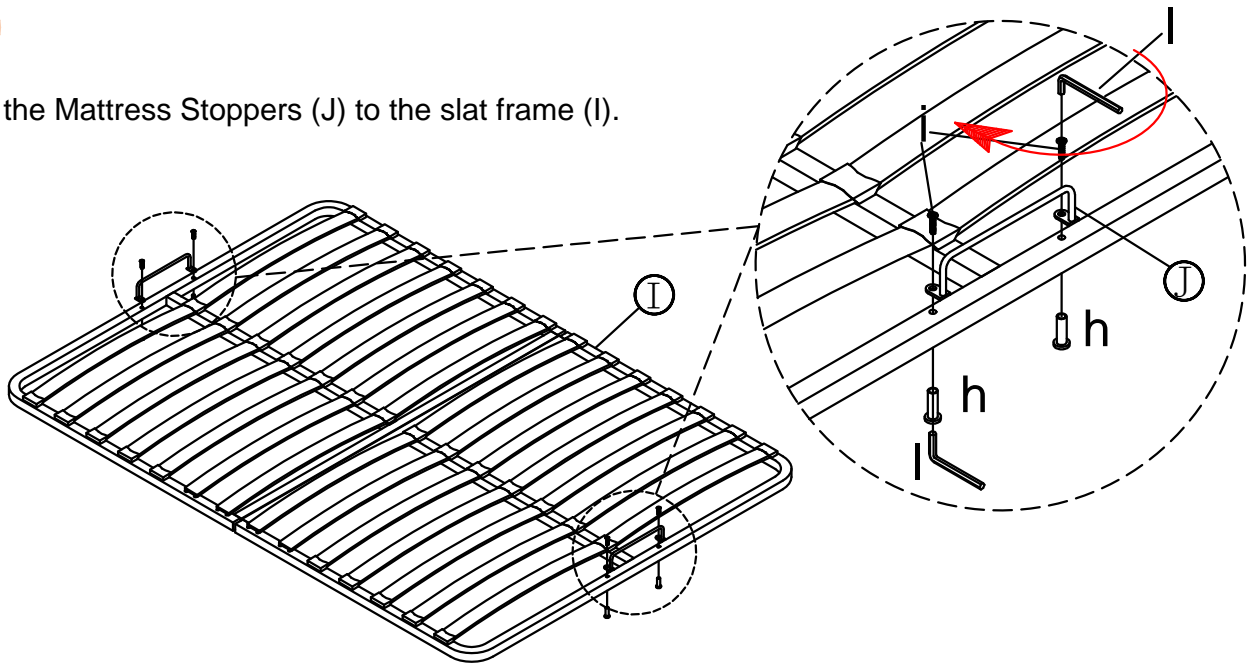
Fit the headboard (A) to the unit.



Ottoman assembly

5

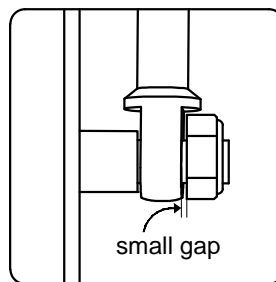
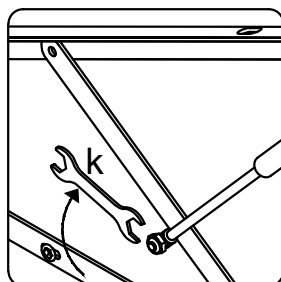
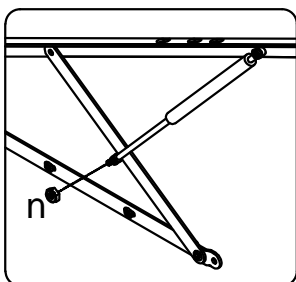
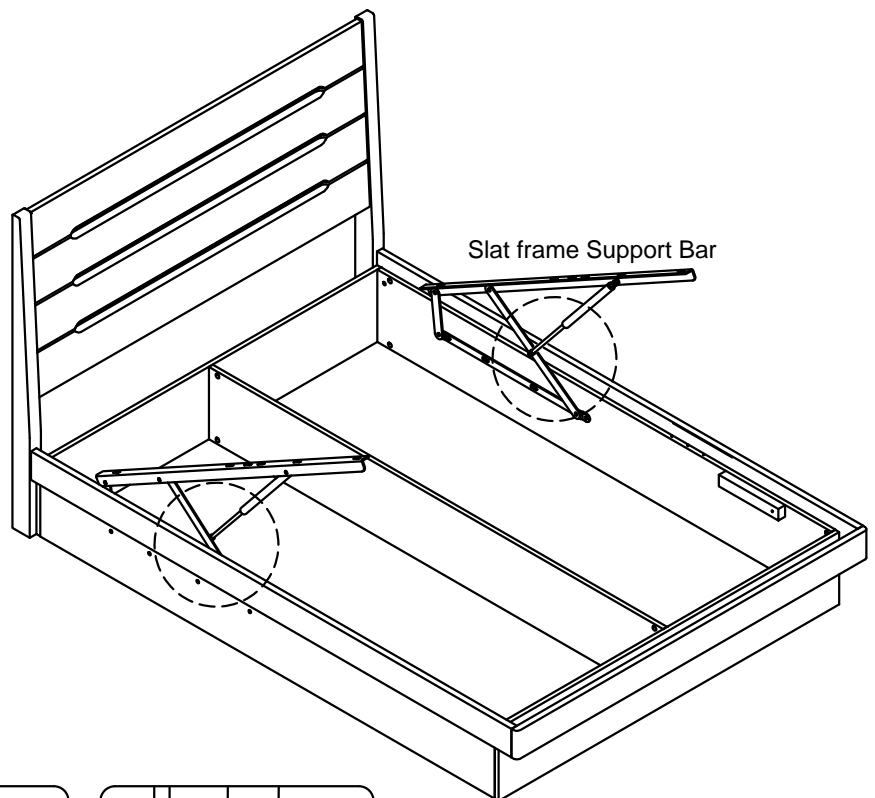
Fit the Mattress Stoppers (J) to the slat frame (I).



6

Slide gas - lift piston stem onto the axle then fit the Nuts (n). Tighten Nuts with Spanner (k), do not over-tighten.

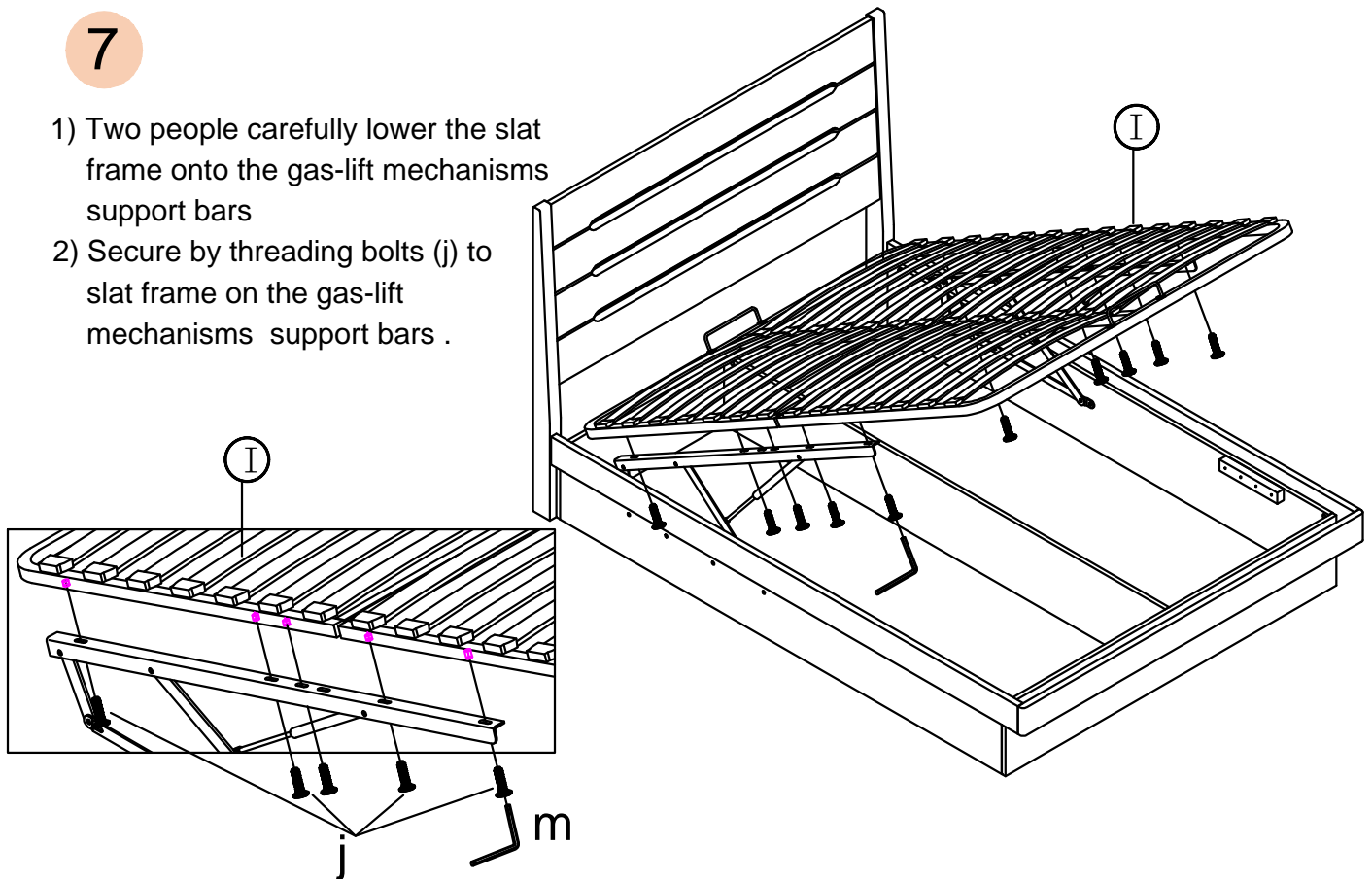
A small gap needs to be left so stem can move freely, please see sketch below.



Ottoman assembly

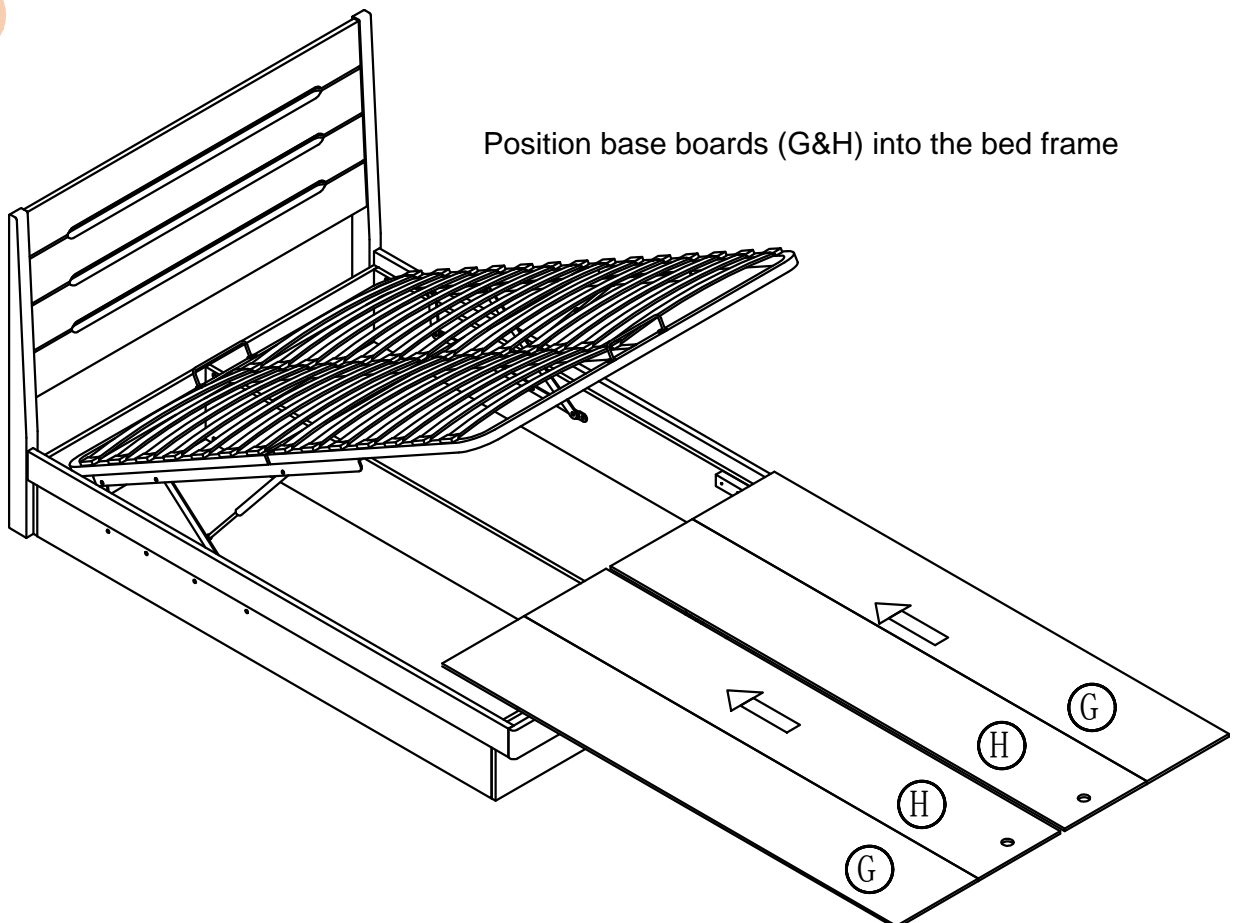
7

- 1) Two people carefully lower the slat frame onto the gas-lift mechanisms support bars
- 2) Secure by threading bolts (j) to slat frame on the gas-lift mechanisms support bars .



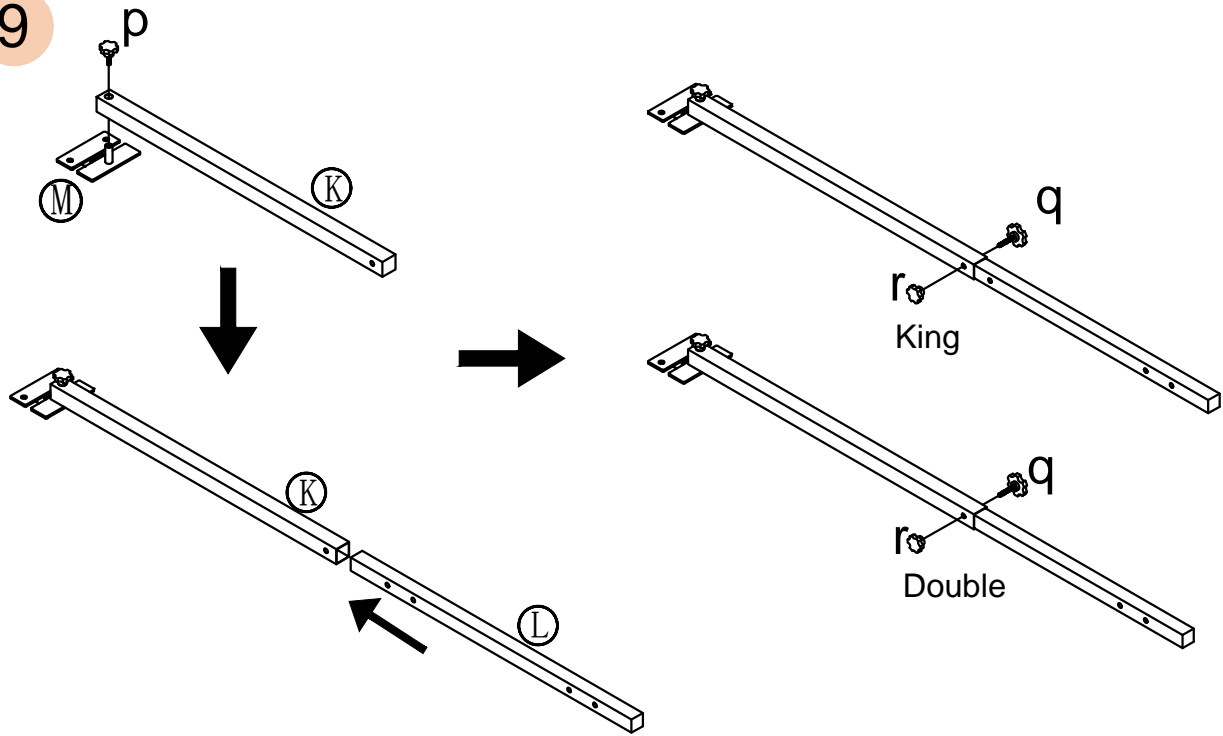
8

Position base boards (G&H) into the bed frame

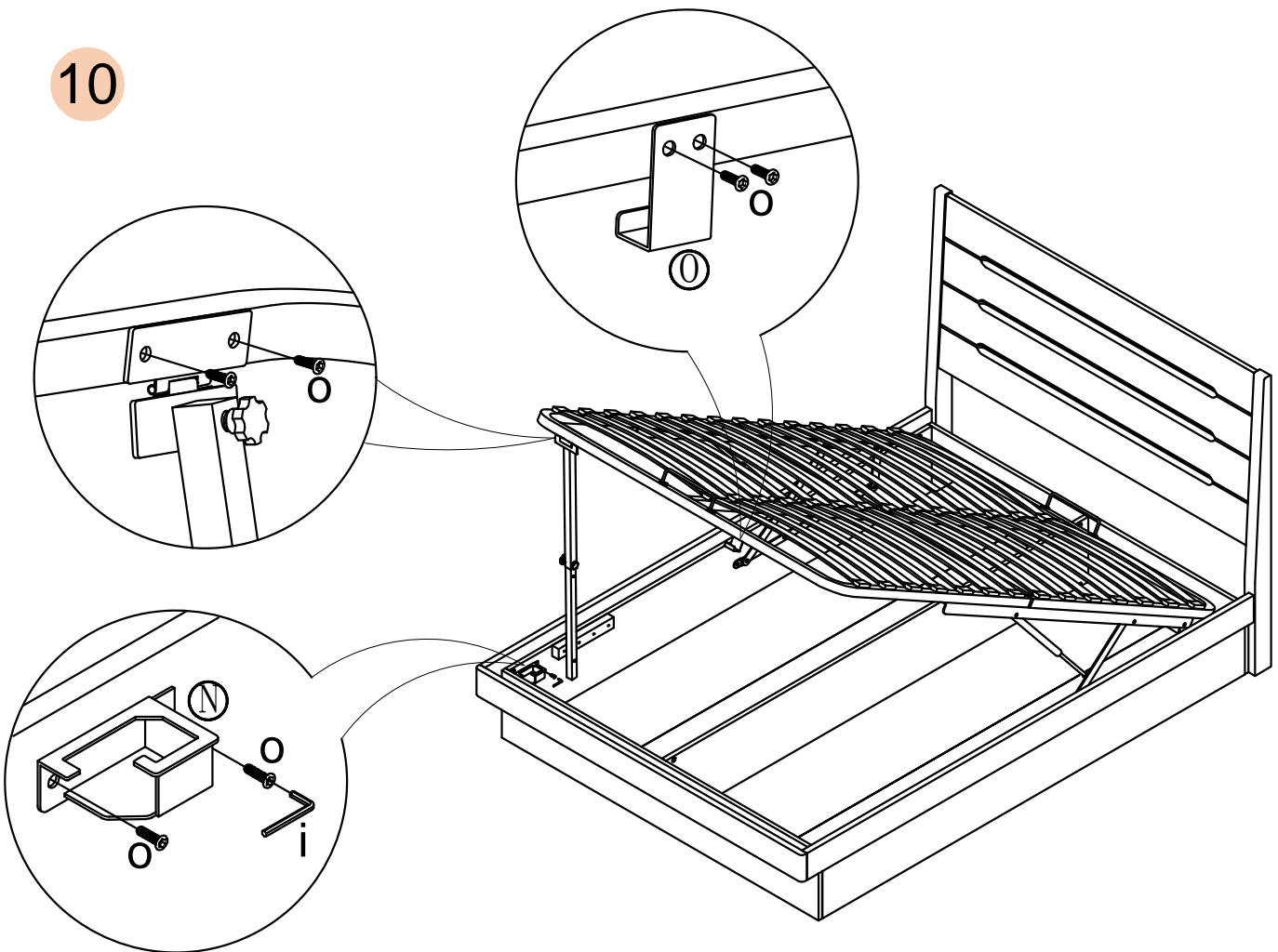


Ottoman Stay bar assembly

9

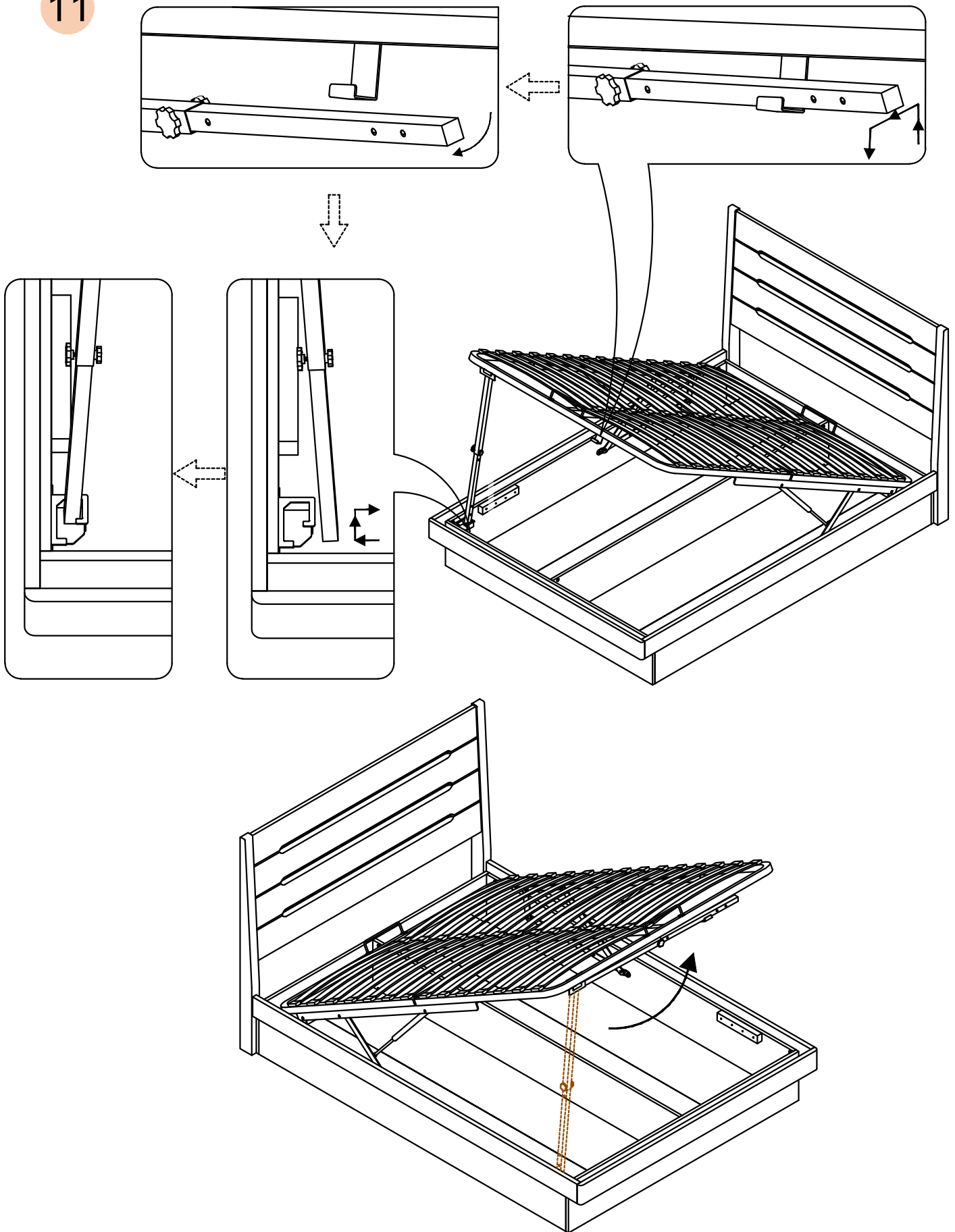


10



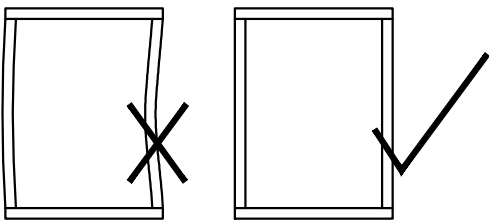
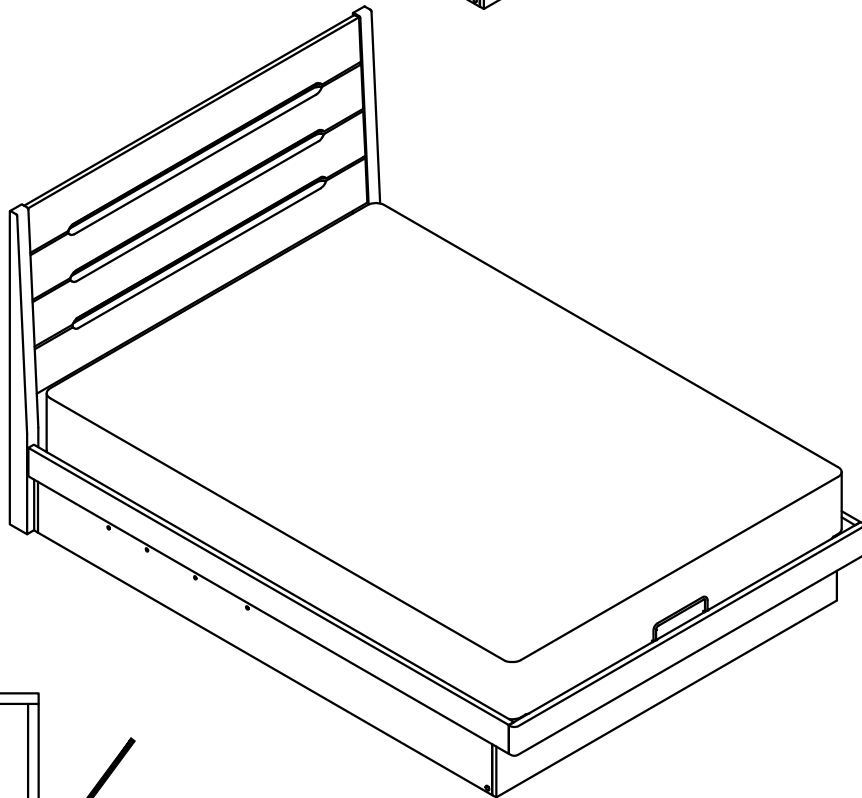
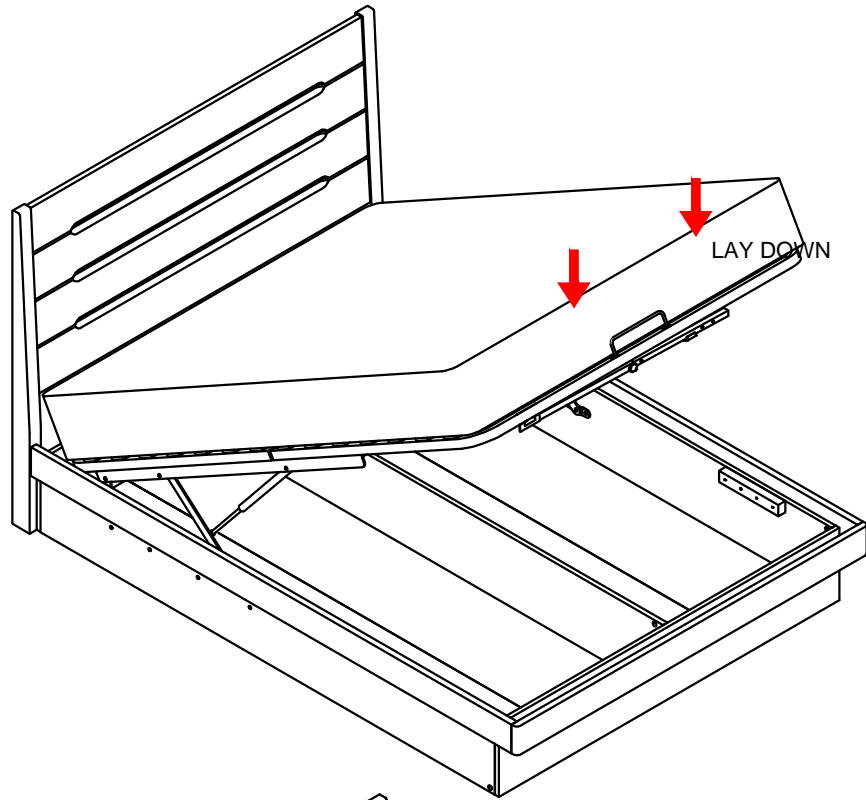
Ottoman assembly

11



Ottoman assembly

12



Make certain the bed is squared up as shown in the diagram then tighten all bed assembly bolts 100%

Warning

- You must ensure that the mattress is on the bed frame before operating the lift mechanism - Failure to do so could result in injury.
- Keep hands clear of the mechanism when opening or closing the ottoman.
- Beware of entrapment - Never reach in through the mechanism to access the storage area.
- Always engage the support bar when accessing the storage area.
- Always ensure that the ottoman is FULLY opened before accessing the storage area.
- Do not exceed the maximum weight as specified in the table below:

Bed	Bed Size	Piston strength (N/M)	Min Weight (kg)	Max Weight (kg)
Lodge (manual)	Double	600	20	42
	King	700	24	50



- Use caution when operating, always use the handle when lifting.
- Note: This bed uses a pressurised mechanism.
- To be operated by adults only
- Please ensure that children and pets are kept away from the bed when operating the lift mechanism.
- Keep children and pets away from the storage area.
- Do not overload the internal storage base.
- Do not stand inside the internal storage area of the bed.
- Before removing the mattress secure the frame to ensure it does not open unexpectedly.
- Do not attempt to lie on the mattress when the ottoman is in the raised position.
- When lifting the ottoman remove all bedding except the fitted sheet.

Care and maintenance

Here are some tips to keep your new bed in tip - top condition



Cleaning

To clean your new bed, we'd advise using a warm damp cloth - please do not use abrasive chemicals or bleach as this may damage the product.



Checking and moving

Periodically we recommend you check that the screws or fixtures haven't been become loose, over time. To move your new bed, we recommend lifting it where possible, as dragging or pushing it could cause damage to your flooring.



Wood

Please note each of our wooden pieces are unique, meaning that markings and shade can vary slightly between beds. Over a period of time, the wood might lighten or fade slightly due to light exposure.



Fabric

Please note depending on the lighting, positioning and surroundings of your room, the shade or the colour can sometimes appear slightly different. Over a period of time, the colour might lighten or fade slightly due to light exposure.



Metal

Metal tends to be more resilient to everyday wear and tear. We recommend to gently dust your metal furniture and keep it dry to maintain its look.

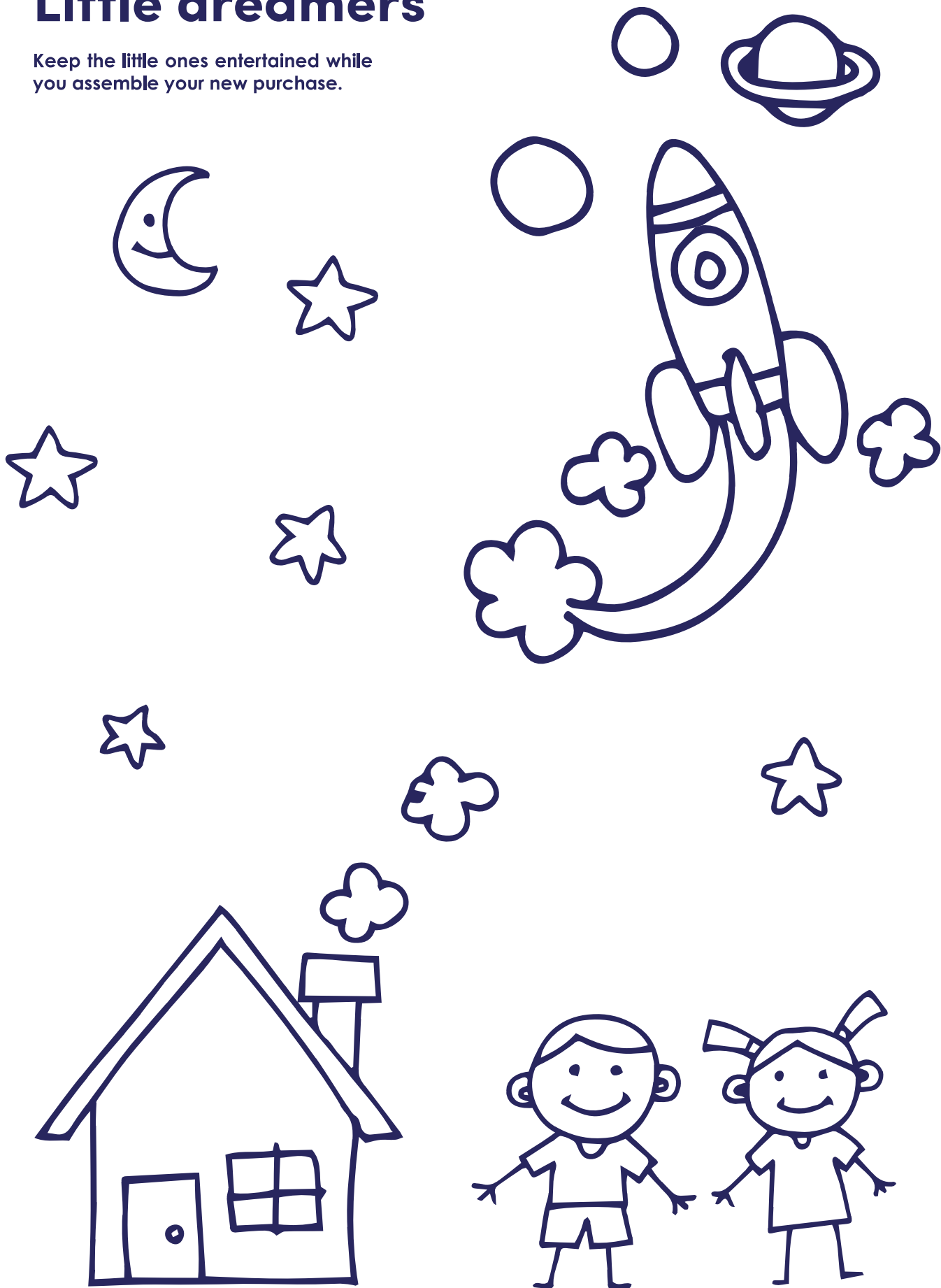
Thank you for shopping with us - we hope you have a great night's sleep

Sleep well



Little dreamers

Keep the little ones entertained while you assemble your new purchase.



Dreams