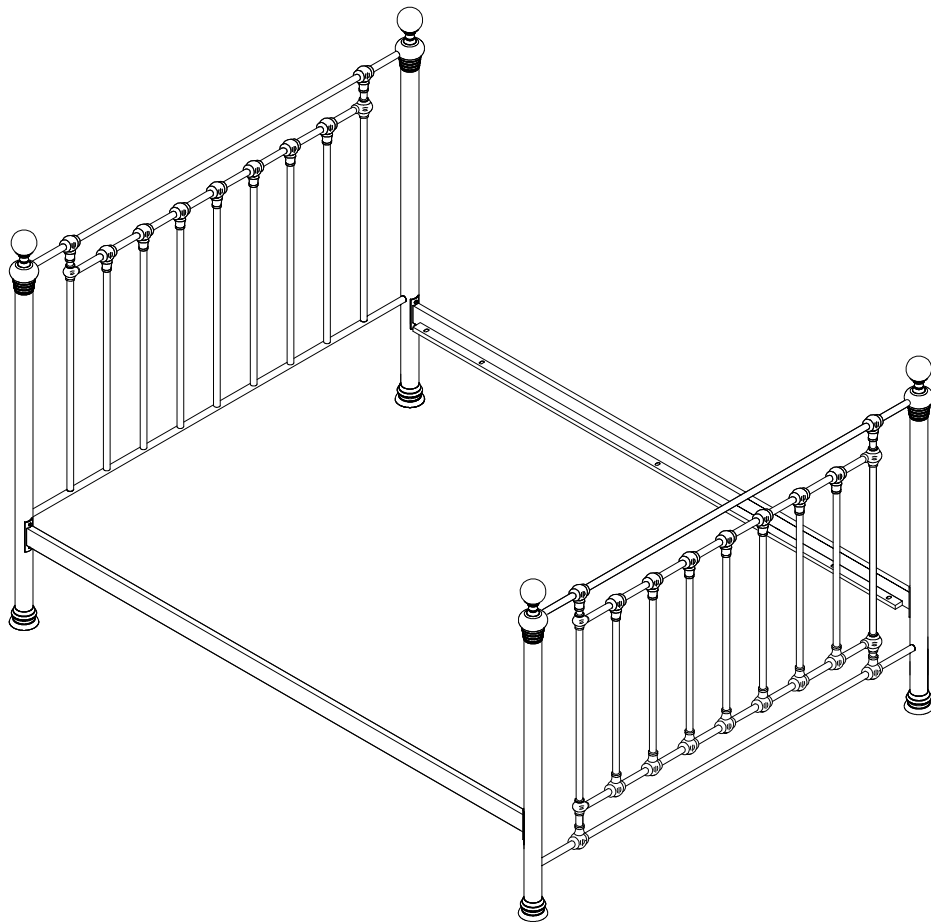


# Hatti Bed



1 hour approx  
assembly time



Two person  
assembly

# Dreams

# Thank you

Hello, thanks for choosing to purchase your bed from Dreams - you're now on your way to your best ever night's sleep. Before you begin building your bed, please take a moment to read through the instructions and make sure that you've got all the relevant parts listed on the following pages.



## Assembly tips

Before you begin, it's best to identify all parts and fittings to build your bed. We advise laying these out on the floor to check you have everything, and familiarising yourself before building.



## Top tip

We recommend that you build your new bed in the room you'd like it to be located - this will help prevent any risk of damage to your newly built bed whilst moving it.



## Safety and care

It's really important to ensure children and animals are kept away from the assembly area, as there are small components used in this bed which could present a choking hazard. All plastic and wrapping materials should also be kept away from children and animals to prevent any risk of suffocation. To keep your little ones busy, there is a colouring page inside the back cover.



## Help and support

At Dreams, it's our mission to give the whole nation a great night's sleep - this means that the quality of our products is of utmost importance to us. If there are any issues with your product or any missing parts, please visit our website at [www.dreams.co.uk/help](http://www.dreams.co.uk/help)



## Recycling

Please ensure that packaging is disposed of in a safe and environmentally friendly way, and recycle where possible. Our assembly instructions are printed on recycled paper. Please keep your assembly instructions safe to refer back to in the future.

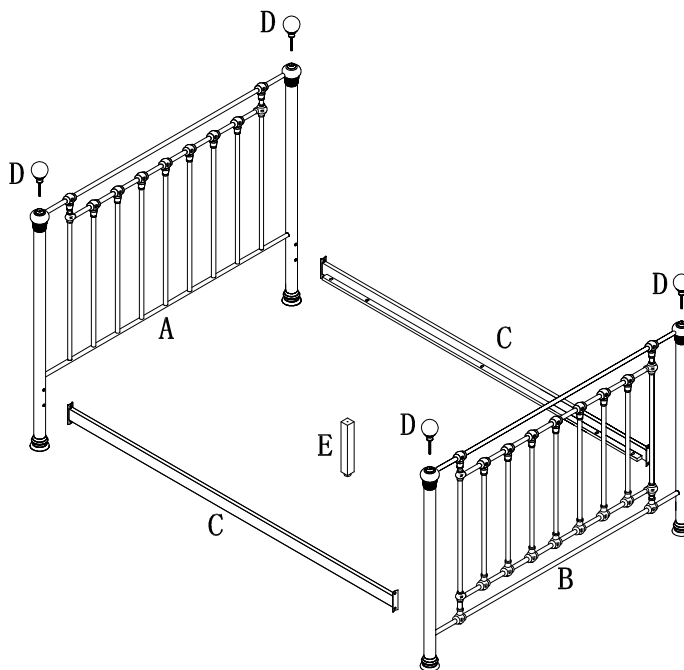
# Parts

## Important information

Please identify which base you have purchased with your bed frame as the assembly method may change. Once you have identified you have all of the relevant parts and fittings, please follow the instructions for your chosen base below;

Solid slats      Page 6

Sprung slats      Page 7

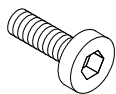


## Parts list

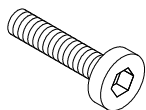
A.	Headboard	1 pcs
B.	Footboard	1 pcs
C.	Side Rails	2 pcs
D.	Finials	4 pcs
E.	Support Leg	1 pcs

# Fittings

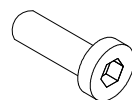
Please check you have all the parts listed below with your product:



H1. M6x20mm x8pcs



H2. M6x35mm x6pcs



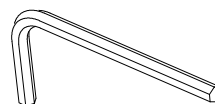
H3. M6x30mm x6pcs



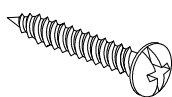
H4. Metal Washer x14pcs



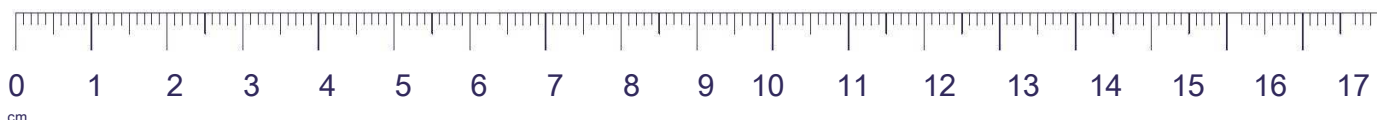
H5. Plastic Washer x8pcs



H6. 4mm Allen key x2pcs



H7. Screw x50mm x1pcs



# Tools required

Please check you have all these below:



Scissors



Tape measure



Cross head screwdriver

# Assembly

1

(1).Use bolt (M6x20), metal washer and plastic washer to fix the side rail (C) onto headboard( A) and footboard (B) by using allen key.



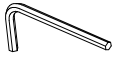
H1.M6x20mm x8pcs



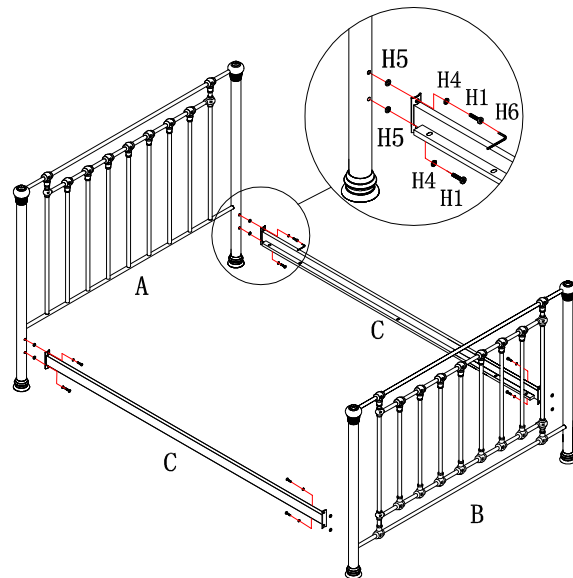
H4.Metal Washer x8pcs



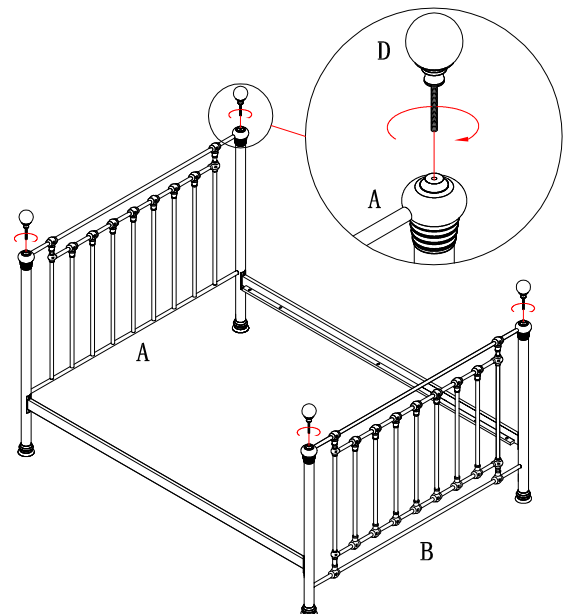
H5.Plastic Washer x8pcs



H6.4mm Allen key x1pcs



(2).Attach the finials (D) onto headboard (A)and footboard (B) by turning it clock-wise.

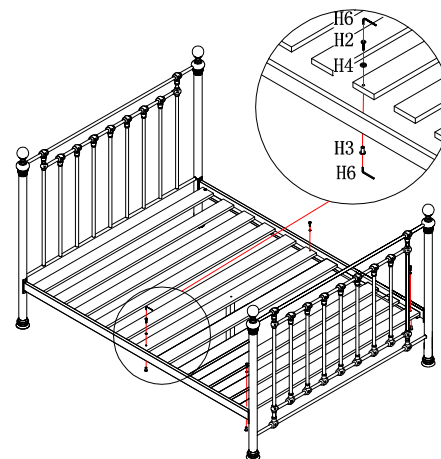
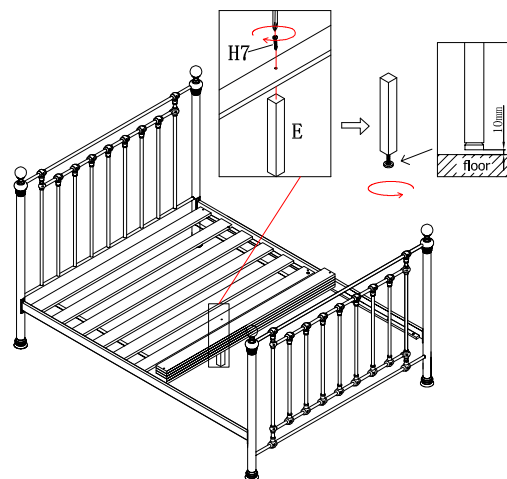
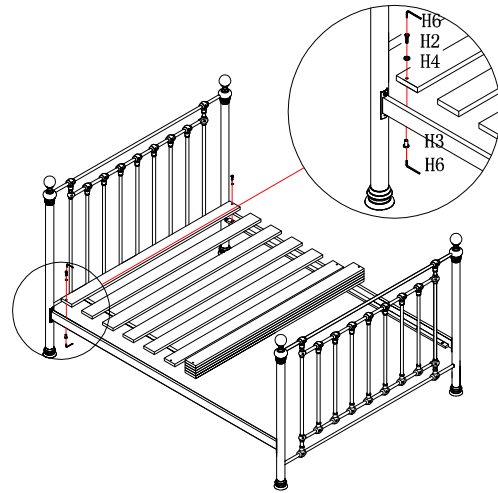


# Solid slat assembly

2

(1).Carefully locate the slats onto the unit, as step 2:Use bolt (M6x35) ,metal washer and JCN nut to fix the unit using allen key.

(2).Fit the adjustable support wooden leg (E) to the centre slat (there is a pre-drlled hole on the centre slat) as shown.



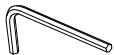
H2.M6×35mm x6pcs



H3.M6×30mm x6pcs



H4.Metal Washer x6pcs



H6.4mm Allen key x2pcs



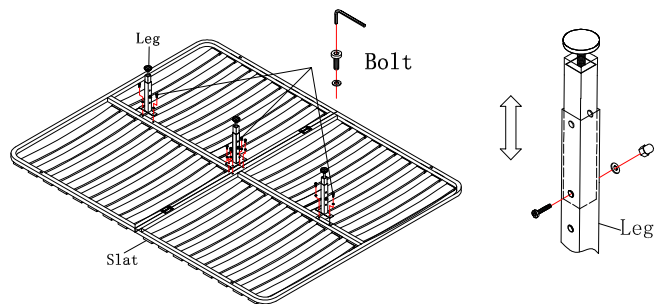
H7.Screw x 50mm x1 pcs

# Sprung slat assembly

3

(1) Use the bolt to fix support leg onto The slat frame. Please note that these bolts are to be found inside the slat frame box. Carefully locate the slats onto the unit.

(2) Use bolt (M6x35mm) and JCN nut (M6x30mm) to fix the unit using 4mm allen key.



H2.M6x35mm x4pcs



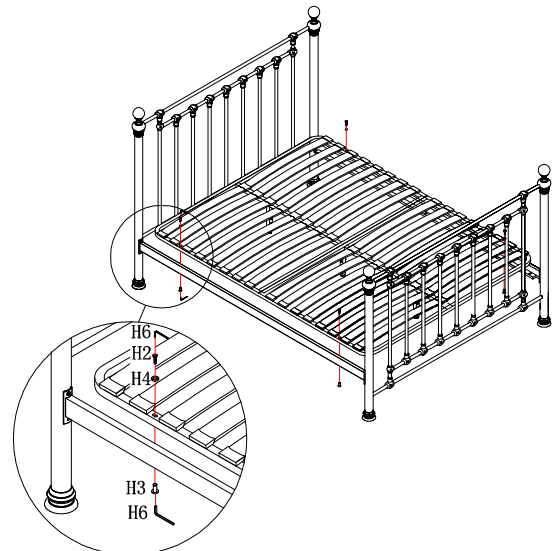
H3.M6x30mm x4pcs



H4.Metal Washer x4pcs



H6.4mm Allen key x2pcs



# Care and maintenance

Here are some tips to keep your new bed in tip-top condition



## Cleaning

To clean your new bed, we'd advise using a warm damp cloth - please do not use abrasive chemicals or bleach as this may damage the product.



## Checking and moving

Periodically we recommend you check that the screws or fixtures haven't been become loose, over time. To move your new bed, we recommend lifting it where possible, as dragging or pushing it could cause damage to your flooring.



## Wood

Please note each of our wooden pieces are unique, meaning that markings and shade can vary slightly between beds. Over a period of time, the wood might lighten or fade slightly due to light exposure.



## Fabric

Please note depending on the lighting, positioning and surroundings of your room, the shade of the colour can sometimes appear slightly different. Over a period of time, the colour might lighten or fade slightly due to light exposure.



## Metal

Metal tends to be more resilient to everyday wear and tear. We recommend to gently dust your metal furniture and keep it dry to maintain its look.

**Thank you for shopping with us - we hope you have a great night's sleep**

*Sleep well*





# Little dreamers

Keep the little ones entertained while you assemble your new purchase.



# Dreams