

Sleigh Changer

Product code
820-00758

**IMPORTANT, RETAIN FOR FUTURE REFERENCE:
READ CAREFULLY!**



15 minutes approx
assembly time



One adult
assembly required

Dreams

Thank you

Hello, thanks for choosing to purchase your furniture from Dreams - you're now on your way to creating a functional and fabulous room. Before you begin building your furniture, please take a moment to read through the instructions and make sure that you've got all the relevant parts listed on the following pages.



Assembly tips

Before you begin, it's best to identify all parts and fittings to build your furniture. We advise laying these out on the floor to check you have everything, and familiarising yourself before building.



Top tip

We recommend that you build your new furniture in the room you'd like it to be located - this will help prevent any risk of damage to your newly built furniture whilst moving it.



Safety and care

It's really important to ensure children and animals are kept away from the assembly area, as there are small components used in this furniture which could present a choking hazard. All plastic and wrapping materials should also be kept away from children and animals to prevent any risk of suffocation. To keep your little ones busy, there is a colouring page inside the back cover.



Help and support

At Dreams, it's our mission to give the whole nation a great night's sleep - this means that the quality of our products is of utmost importance to us. If there are any issues with your product or any missing parts, please visit our website at www.dreams.co.uk/help



Recycling

Please ensure that packaging is disposed of in a safe and environmentally friendly way, and recycle where possible. Our assembly instructions are printed on recycled paper. Please keep your assembly instructions safe to refer back to in the future.

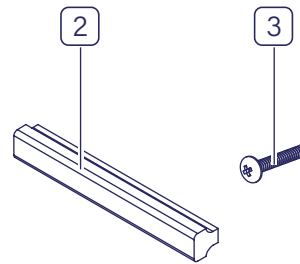
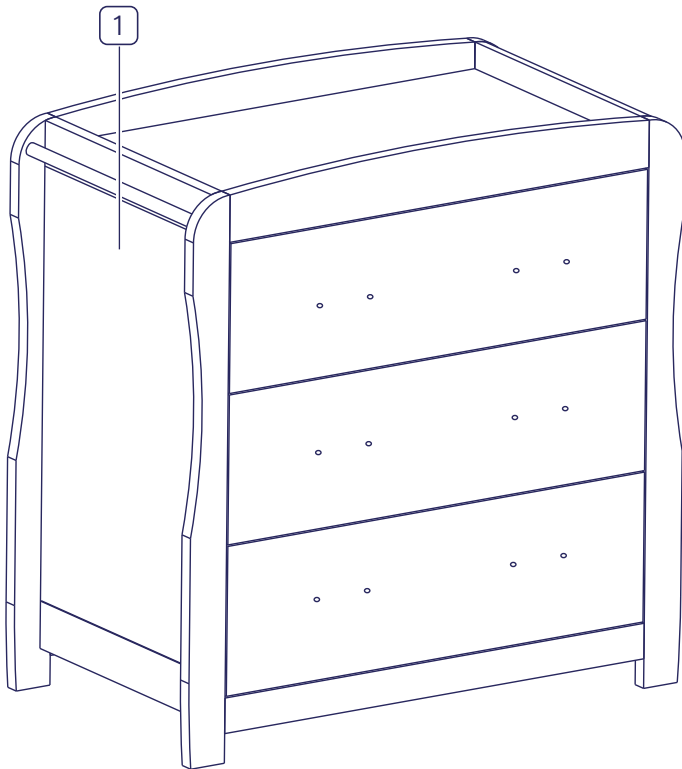
Parts

Important information

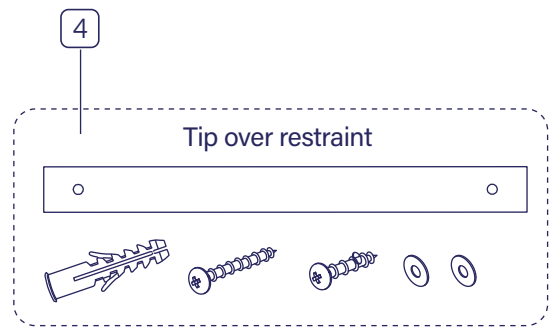
Please check you have all the parts listed below with your product:

Do not discard any of the packaging until you have checked that you have all the parts and the pack of fixings.

Recommended changing mat: 780mm x 480mm, the changing area is suitable for use up to 12 months old or 11kg in weight.
This Sleigh Changer complies with BS EN 12221-1:2008+A1:2013 & FIRA/FRQG C004 2016 + A1 2017



Bar handle & bolt are pre-attached on the backside of Drawer fronts.



Parts list

- | | | | | | |
|----|-----------------------|--------------------------|----|----------------------------|--------------------------|
| 1. | Sleigh changer x 1 pc | <input type="checkbox"/> | 3. | Bolt (M4x25mm) x 12 pcs | <input type="checkbox"/> |
| 2. | Bar handle x 6 pcs | <input type="checkbox"/> | 4. | Tip over restraint x 1 set | <input type="checkbox"/> |

Tools required

Please check you have all these below:



Crosshead
screwdriver

Bar handles assembly

Use Pack 1

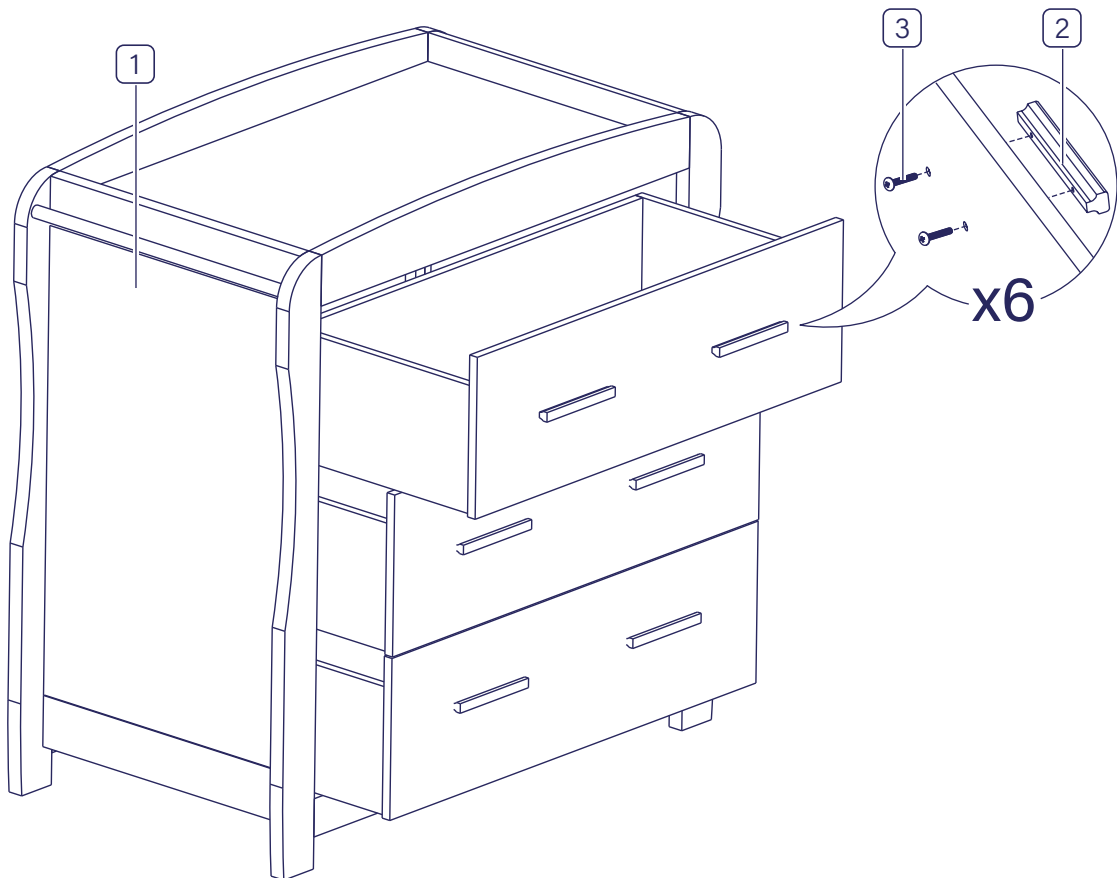
1

We recommend that you build your new furniture in the room you'd like it to be located - this will help prevent any risk of damage to your newly built furniture whilst moving it.

Unscrew all Bar handles (2) from the backside of Drawer fronts, then re-assemble them to the front side of Drawer fronts with Bolts (3) as indicated. Tighten the all bolts by using a Crosshead screwdriver (not provided).



One adult
assembly required



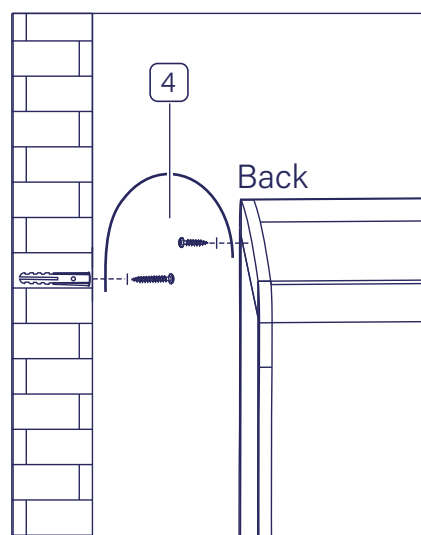
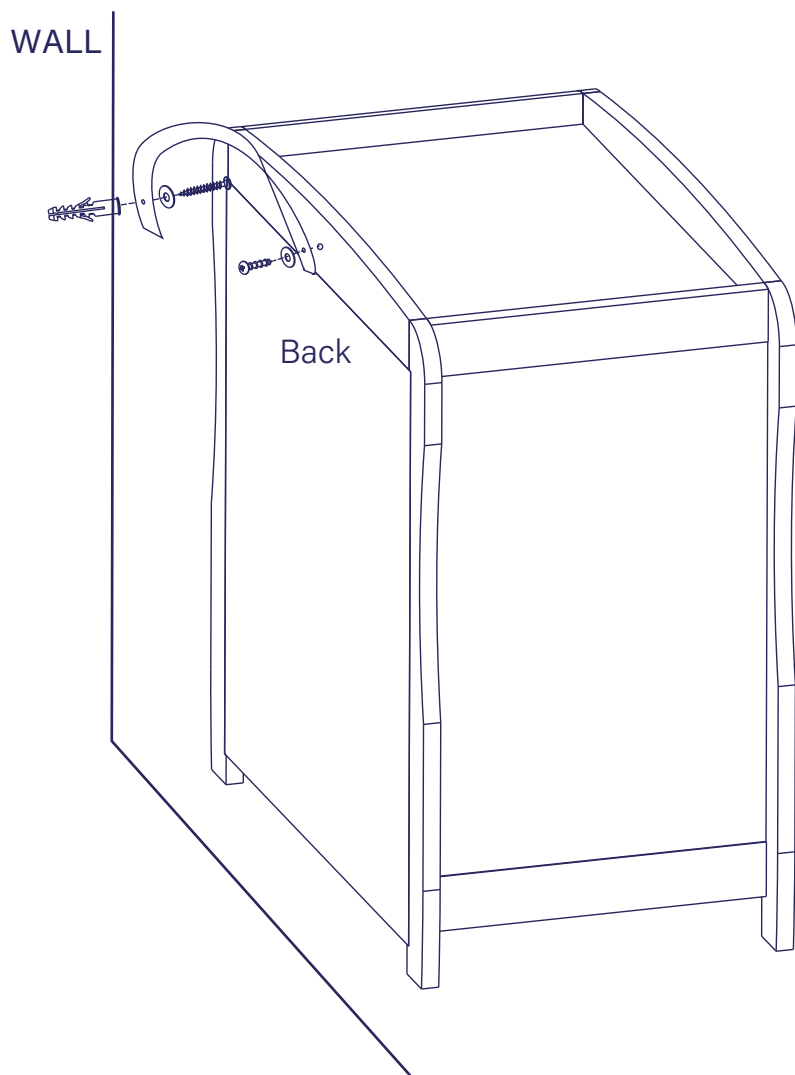
Tip over restraint assembly

Use Pack 1

2

The changer is supplied with a fixing kit, help to guard against accidental tipping.
Installation only to be carried out by a competent person. Check the suitability of the wall before fitting.

⚠ This hardware is only deterrent. Adult supervision is the only proper deterrent to prevent improper use of the units. Tipping furniture may injure young children. Use of this tipping restraint hardware is highly recommended. This hardware, when properly installed, could provide protection against the unexpected tipping of furniture due to improper use.



Helpful Advices & Warnings

Please retain all instruction manual for future reference.

Failure to follow all of the instructions and warnings may cause injury.

⚠️ WARNINGS:

- DO NOT LEAVE THE CHILD UNATTENDED. The safety of your child is your responsibility.
- Assembly to be carried out by a competent adult only.
- During assembly children should be kept away from the product due to possible risk of injury.
- Check regularly that all the fittings and screws are correctly tightened and are not damaged. Loose screws can pinch parts of the body and clothing resulting in the risk of strangulation.
- The changing area is suitable for use up to 12 months old or 11kg in weight.
- When using a changing mat, ensure the changing mat does not compromise the elective height of the changer barriers.
- Be aware of the risks of open fires and other such sources of strong heat, such as electric bar fires, gas fires, etc. in the near vicinity of the sleigh changer.
- Ensure that the wall strap is used to securely attach the sleigh changer to the wall to prevent tipping.
- Do not use replacement parts that are not recommended or supplied by Dreams.
- Do not place your product in the near vicinity of open fires or other sources of strong heat, such as electric or gas fires.
- Do not use this item if any of the components are missing, broken or damaged.
- Before use, ensure the sleigh changer is on a stable, level surface.
- Do not allow children to climb on the drawers & changer.
- This Sleigh Changer complies with BS EN 12221-1:2008+A1:2013 & FIRA/FRQG C004 2016 + A1 2017

WALL STRAP INFORMATION

- The wall strap is only intended to be used with the product that it is supplied with.
- Never attempt to modify or change the wall attachment strap in any way. Never use any other fittings for attaching the strap to your furniture than those supplied.
- Never use the screw provided to attach the strap to the wall. No wall attachment fittings are supplied. This is because the type of fittings required to attach the strap to the chosen wall is determined by the composition of the wall. If you are in any doubt about the correct type of fittings to use, consult a professional before attempting to attach the strap to the wall.
- The wall strap must not be used to replace any other fitting supplied with your piece of furniture.
- Furniture falling over is generally due to the surface the furniture is placed on. A warped floor or wall-to-wall carpeting will enable the furniture to rock, so greatly increasing the potential for the furniture to fall. If the furniture is placed on a flat level wood or tiled floor the risk is reduced, but we still recommend the wall strap is fitted.

Dreams Limited
Knaves Beech, High Wycombe, Bucks HP10 9YU
<https://www.dreams.co.uk>

Care and maintenance

Here are some tips to keep your new furniture in tip-top condition



Cleaning

To clean your new furniture, we'd advise using a warm damp cloth - please do not use abrasive chemicals or bleach as this may damage the product.



Checking and moving

Periodically we recommend you check that the screws or fixtures haven't become loose, over time. To move your new furniture, we recommend lifting it where possible, as dragging or pushing it could cause damage to your flooring.



Wood

Please note each of our wooden pieces are unique, meaning that markings and shade can vary slightly between furnitures. Over a period of time, the wood might lighten or fade slightly due to light exposure.



Fabric

Please note depending on the lighting, positioning and surroundings of your room, the shade of the colour can sometimes appear slightly different. Over a period of time, the colour might lighten or fade slightly due to light exposure.



Metal

Metal tends to be more resilient to everyday wear and tear. We recommend to gently dust your metal furniture and keep it dry to maintain its look.

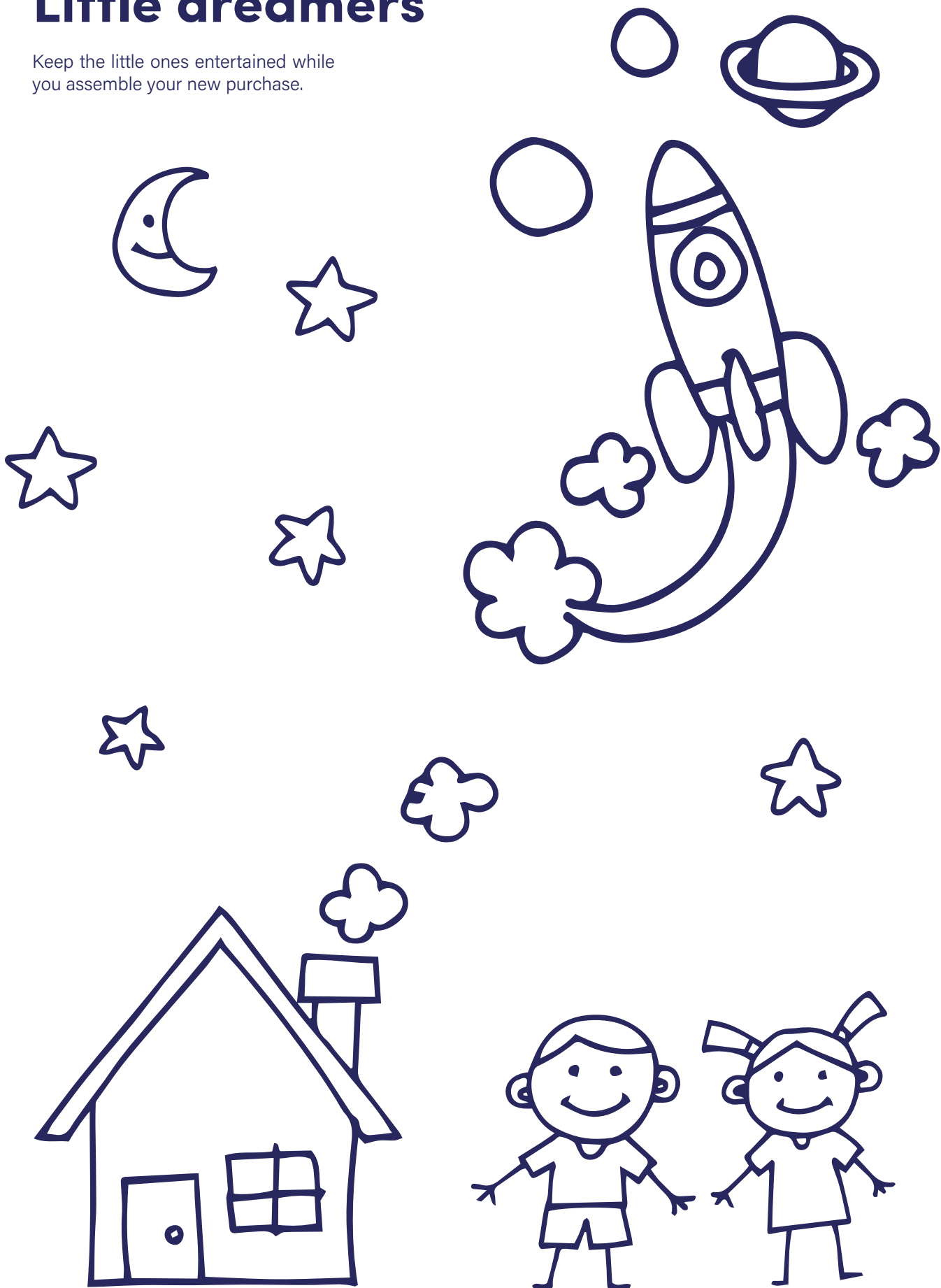
Thank you for shopping with us - we hope you have a great night's sleep

Sleep well



Little dreamers

Keep the little ones entertained while you assemble your new purchase.



Dreams