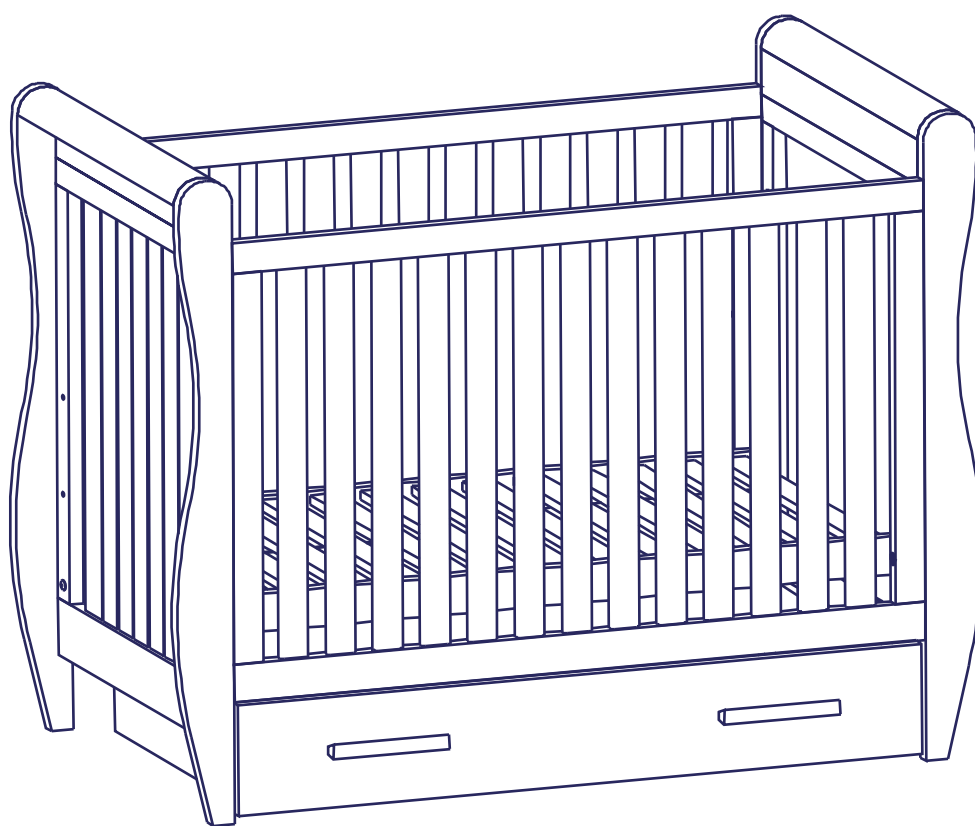


Sleigh Cot

Product code
253-00152

**IMPORTANT, RETAIN FOR FUTURE REFERENCE:
READ CAREFULLY!**



30 minutes approx
assembly time



Two adult
assembly required

Dreams

Thank you

Hello, thanks for choosing to purchase your furniture from Dreams - you're now on your way to creating a functional and fabulous room. Before you begin building your furniture, please take a moment to read through the instructions and make sure that you've got all the relevant parts listed on the following pages.



Assembly tips

Before you begin, it's best to identify all parts and fittings to build your furniture. We advise laying these out on the floor to check you have everything, and familiarising yourself before building.



Top tip

We recommend that you build your new furniture in the room you'd like it to be located - this will help prevent any risk of damage to your newly built furniture whilst moving it.



Safety and care

It's really important to ensure children and animals are kept away from the assembly area, as there are small components used in this furniture which could present a choking hazard. All plastic and wrapping materials should also be kept away from children and animals to prevent any risk of suffocation. To keep your little ones busy, there is a colouring page inside the back cover.



Help and support

At Dreams, it's our mission to give the whole nation a great night's sleep - this means that the quality of our products is of utmost importance to us. If there are any issues with your product or any missing parts, please visit our website at www.dreams.co.uk/help



Recycling

Please ensure that packaging is disposed of in a safe and environmentally friendly way, and recycle where possible. Our assembly instructions are printed on recycled paper. Please keep your assembly instructions safe to refer back to in the future.

Parts

Important information

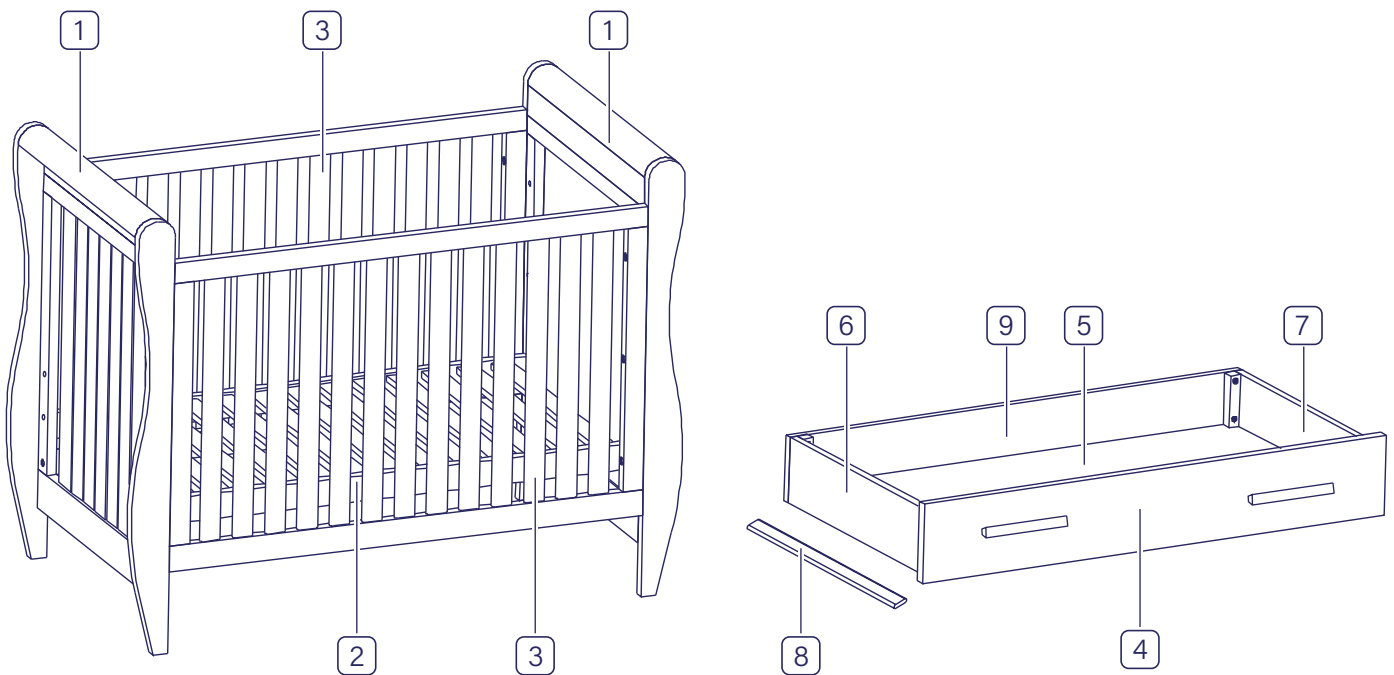
Please check you have all the parts listed below with your product:

Do not discard any of the packaging until you have checked that you have all the parts and the pack of fixings.

Your child's safety is your responsibility. Ensure that your child is kept clear during assembly due to small Parts.

Recommended mattress: 70 x 140 cm

This product complies with BS EN 716 - 1: 2017



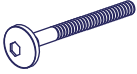
Parts list

1.	Cot end x 2 pcs	<input type="checkbox"/>	6.	Drawer side left x 1 pc	<input type="checkbox"/>
2.	Mattress base x 1 pc	<input type="checkbox"/>	7.	Drawer side right x 1 pc	<input type="checkbox"/>
3.	Side rails x 2 pcs	<input type="checkbox"/>	8.	Drawer support x 1 pc	<input type="checkbox"/>
4.	Drawer front x 1 pc	<input type="checkbox"/>	9.	Drawer back x 1 pc	<input type="checkbox"/>
5.	Drawer bottom x 1 pc	<input type="checkbox"/>			

Fittings

Please check you have all the fittings listed below with your product:

A x 4



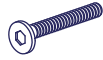
Bolt (M6x65mm)

B x 4



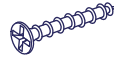
Barrel nut (M6x13mm)

C x 12



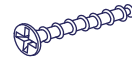
Bolt (M6x50mm)

D x 4



Screw (M4x30mm)

E x 4



Screw (M4x35mm)

F x 4



Plastic barrel nut (8x8mm)

G x 5



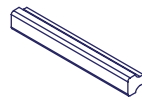
Caster

H x 10



Screws (M4x15mm)

I x 2



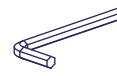
Bar handle

J x 4

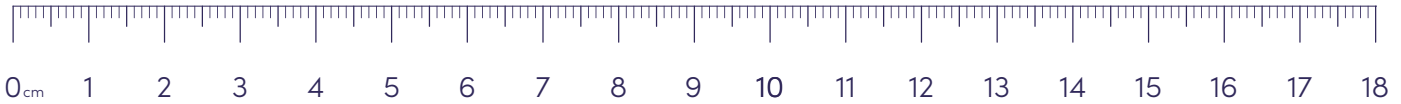


Bolt (M4x25mm)

K x 2



Allen key



Tools required

Please check you have all these below:



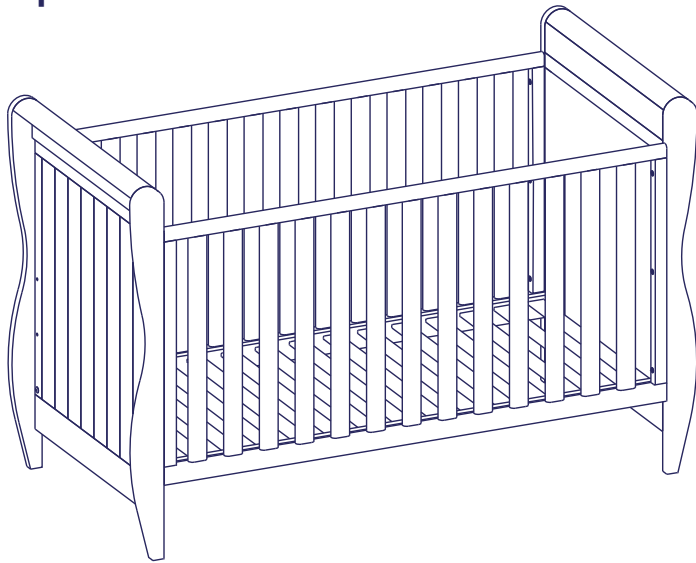
Cross head screwdriver



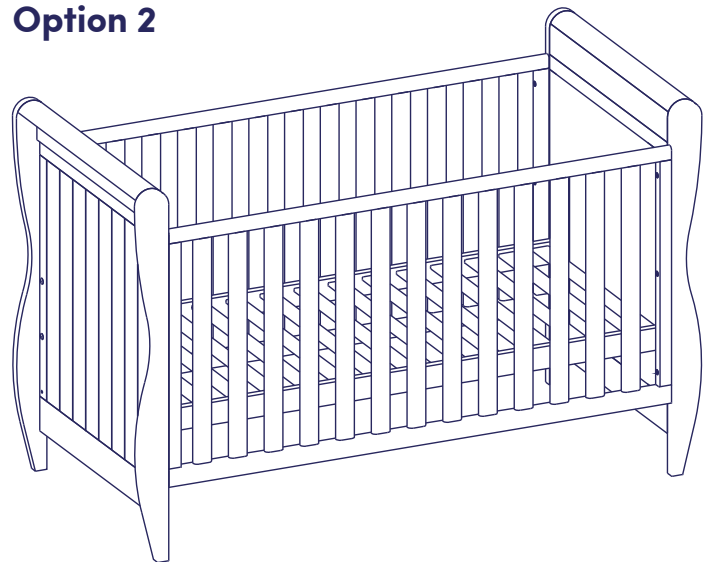
Flathead screwdriver

Sleigh Cot assembly

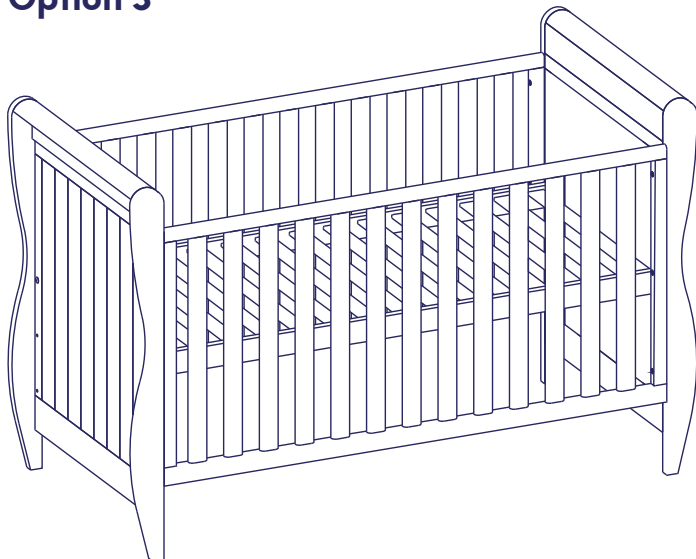
Option 1



Option 2



Option 3



Sleigh Cot assembly

Use Pack 1 & 2

Option 1

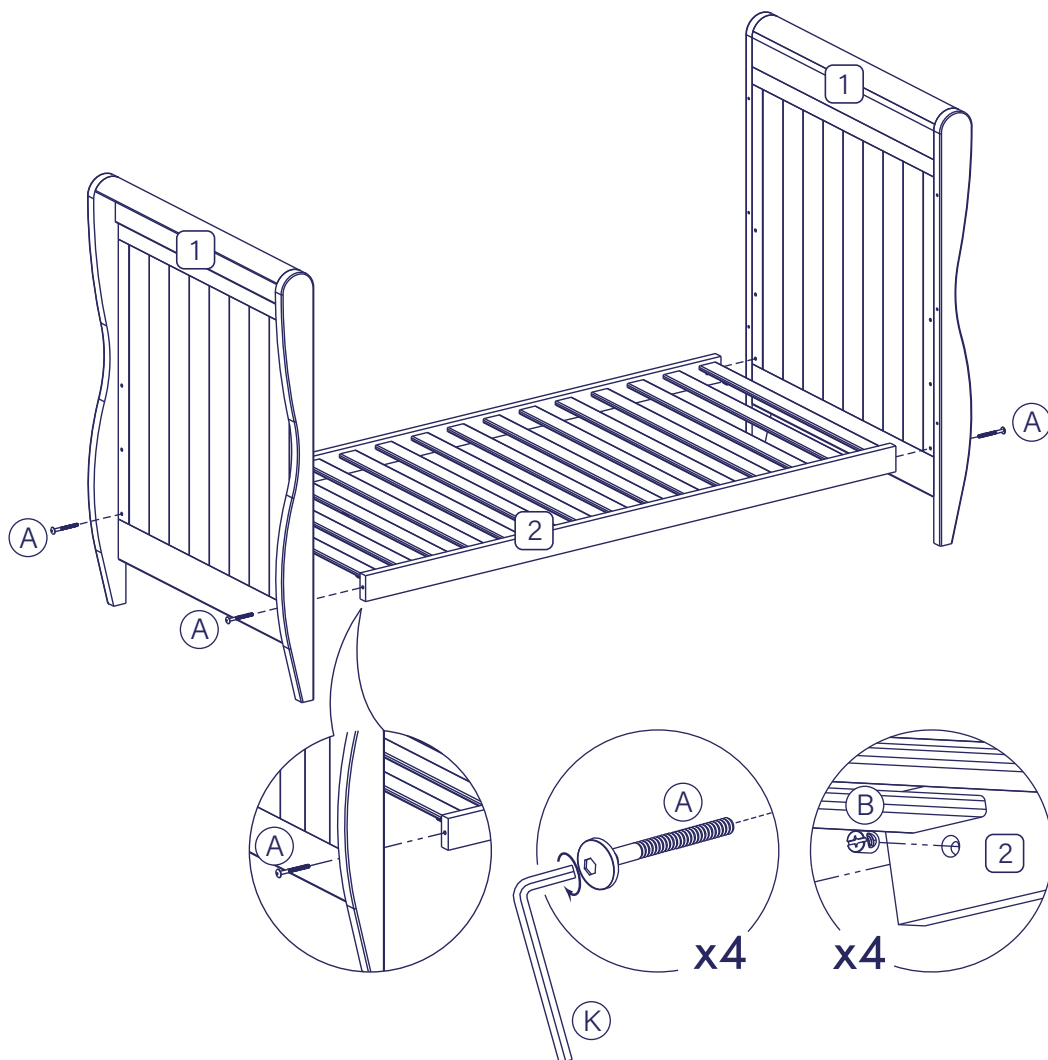
1

Attach Cot ends (1) to Mattress base (2) with Bolts (A), Barrel nuts (C). Tighten the Bolts by using the Allen key (K) provided.

⚠ Using a Cross head screwdriver (not provided) to adjust and ensure the hole of Barrel nuts is facing out. Do not fully tighten bolts at this stage.



Two adult assembly required



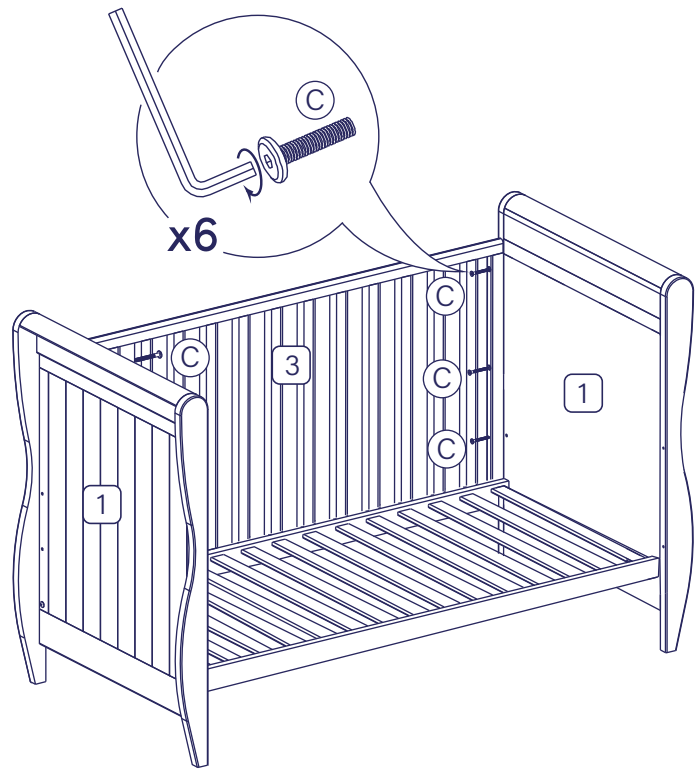
Sleigh Cot assembly

Use Pack 2

2

Align and attach Side rails (3) to the Cot ends (1) with Bolts (C).
Tighten the Bolts by using the Allen key.

 Do not fully tighten bolts at this stage.



3

Repeat the procedure to assemble the second Side rails (3) to the Cot ends (1) with Bolts (C).
Tighten the Bolts by using the Allen key.

 Fully tighten all bolts once the assembly is complete.

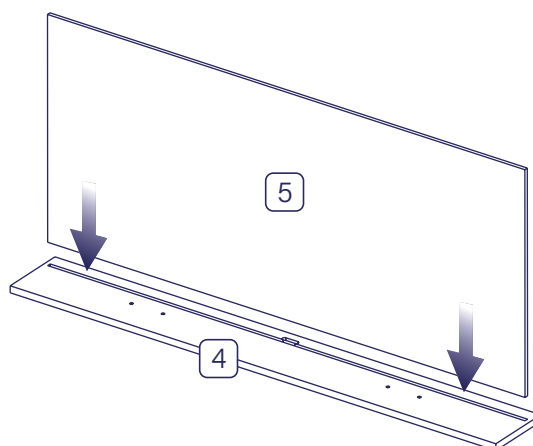


Drawer assembly

Use Pack 2

4

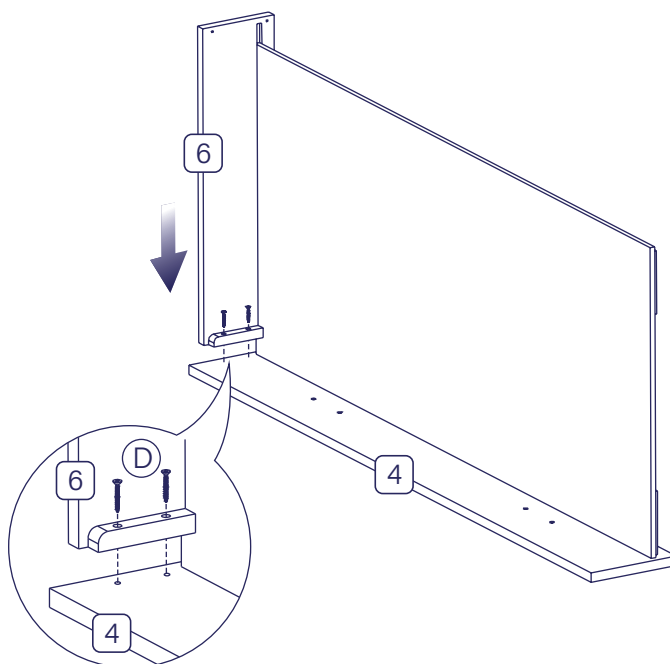
Align and insert Drawer bottom (5) into the slot of Drawer front (4).



5

Align and attach Drawer side left (6) to the Drawer front with Screws (D). Tighten Screws by using the Cross head screwdriver.

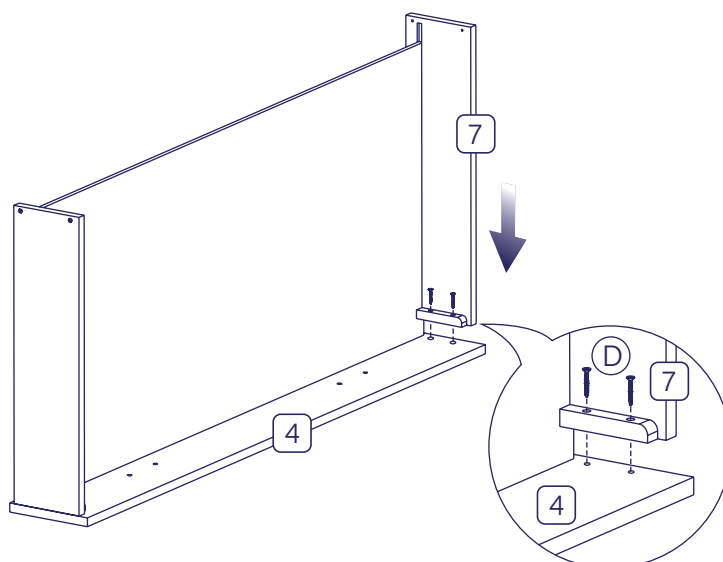
⚠ Ensure the Drawer bottom is inserted into the slot of Drawer side left properly.



6

Align and attach Drawer side right (7) to the Drawer front with Screws (D). Tighten Screws by using the Cross head screwdriver.

⚠ Ensure the Drawer bottom is inserted in the slot of Drawer side right properly.

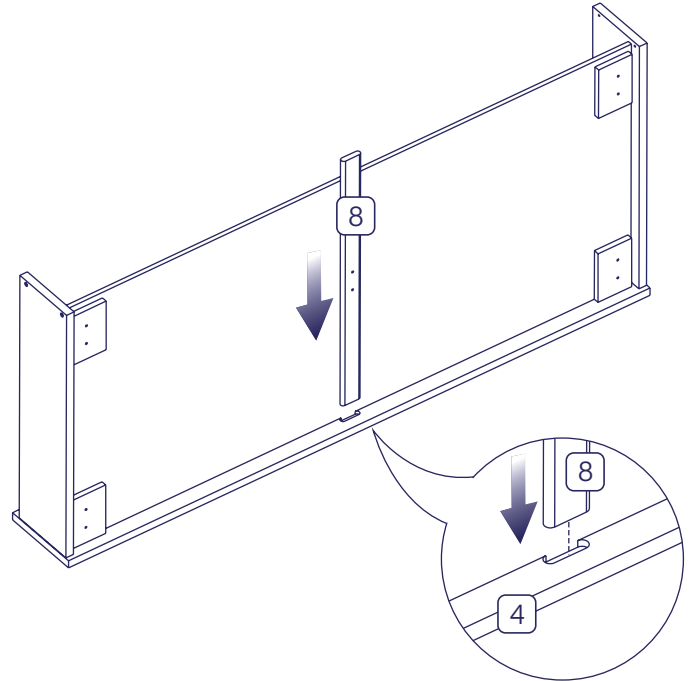


Drawer assembly

Use Pack 2

7

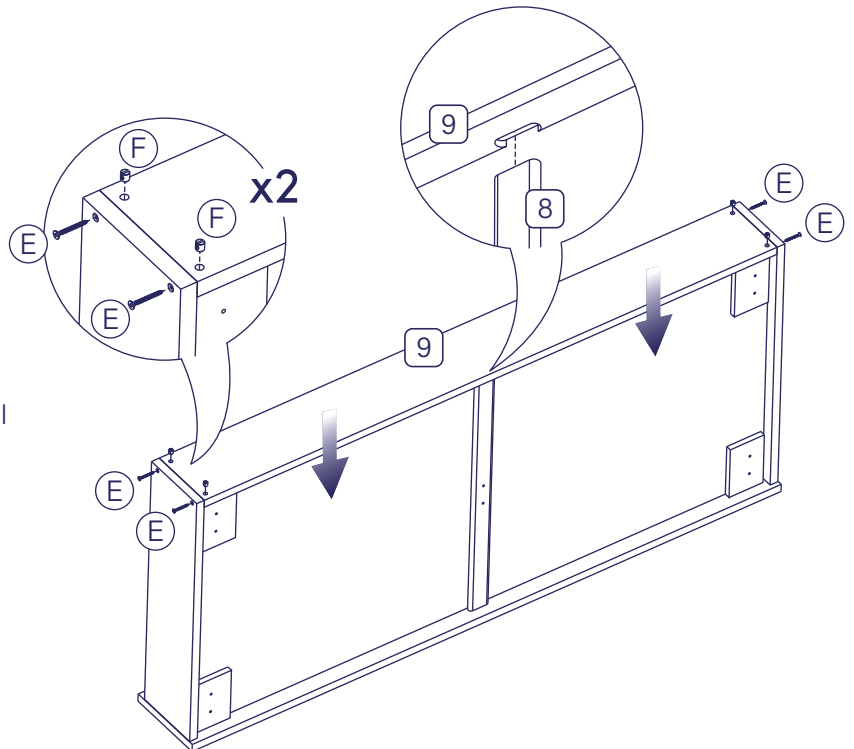
Align and attach Drawer support (8) to the slot of the Drawer front.



8

Insert Plastic barrel nuts (F) into the holes of the Drawer back (9). Then, attach the Drawer back to both Drawer sides with Screw (E), Plastic barrel nuts. Tighten Screws by using the Cross head screwdriver.

⚠ Using a Flathead screwdriver (not provided) to adjust and ensure the hole of Plastic barrel nut is facing out.

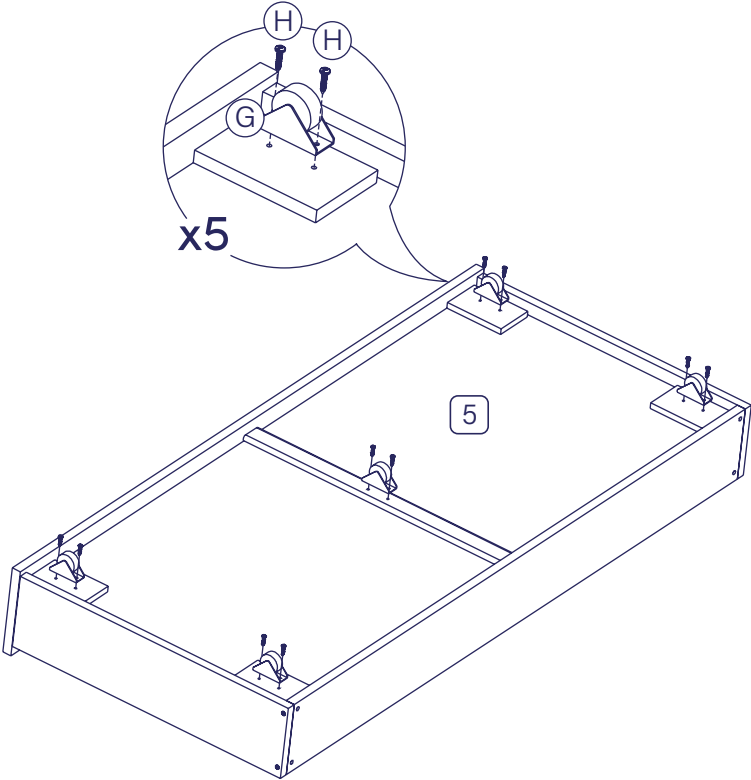


Drawer assembly

Use Pack 2

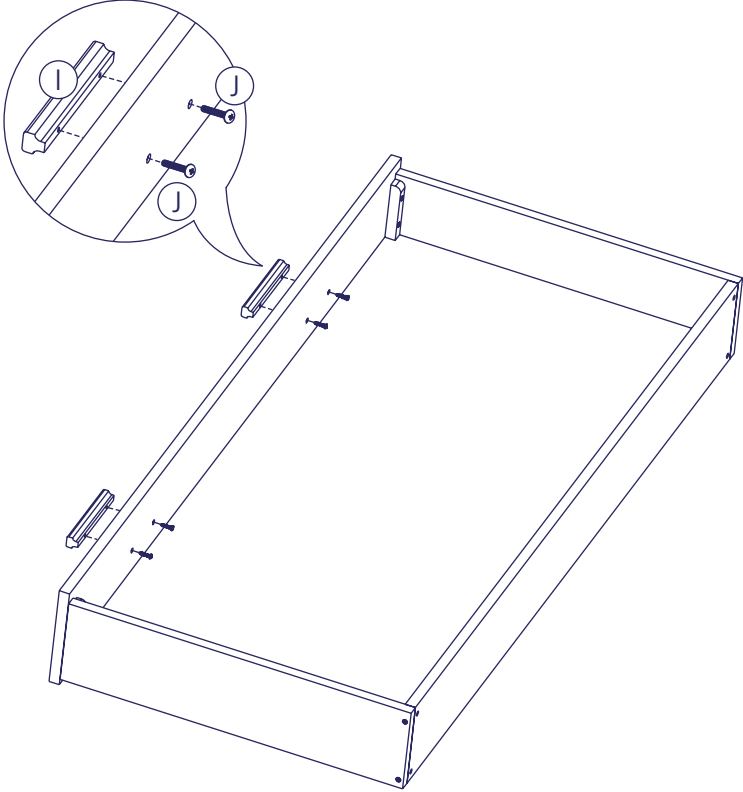
9

Align and attach Casters (G) to the Drawer bottom, Drawer support with Screws (H). Tighten Screws by using the Cross head screwdriver.



10

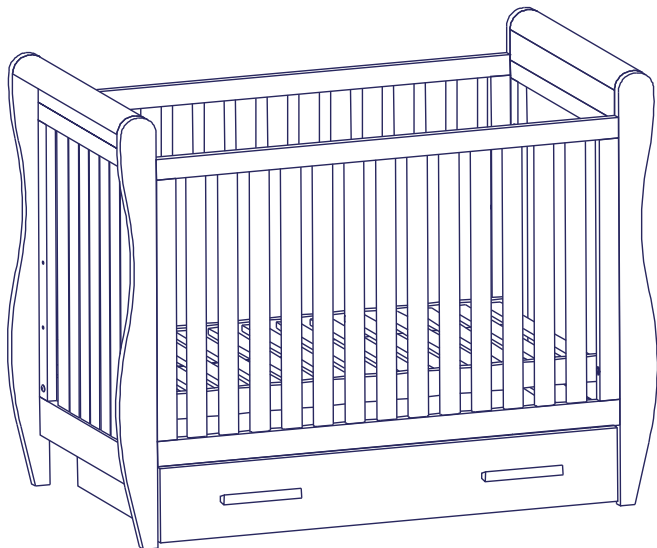
Assemble Bar handles (I) to the Drawer front with Bolts (J). Tighten the Bolts by using the Cross head screwdriver.



Helpful Advices & Warnings

Please retain all instruction manual for future reference.

Always follow the manufacturer's instruction. Failure to follow all of the instructions and warnings may cause injury.



Check all the Bolts, screws / parts and make sure all Fittings must be tightened properly, securely before use.

Warnings:

- Furniture can be dangerous if incorrectly installed. Assembly should be carried out by a competent person.
- Keep children clear during assembly as pack contains small parts which may present a choking hazard.
- Be aware of the risks of open fires and other such sources of strong heat, such as electric bar fires, gas fires, etc. in the near vicinity of the cot.
- Do not use the cot if any part is broken, torn or missing and use only spare parts approved by the manufacturer.
- Do not leave anything in the cot or place the cot close to another product, which could provide a foothold or present a danger of suffocation or strangulation, e.g. strings, blind/curtain cords, etc.
- Do not stand on the cot before placing the mattress.
- Do not use more than one mattress in the cot.
- The lowest base position is the safest and should be used as soon as your baby is old enough to sit up.
- The thickness of the mattress chosen must not reduce the internal depth (from the top of the mattress surface to the top of the side) to less than 500mm with the base in its lowest position or 200mm with the base in the highest position.
- The mattress should be no more than 30mm shorter or narrower than the internal length or width of the cotbed. Suitable for use with a mattress of 1400mm in length, 700mm in width and a maximum thickness of 100mm.
- All assembly fixings should always be tightened properly. Periodically check all fixings to ensure none have come loose, and that there is no risk of clothing or parts of the body becoming snagged or trapped.
- To prevent falls, when the child is able to climb out of the cot, the cot should no longer be used for that child.
- Do not allow your child to jump on the cotbed. This may result in damage to the furniture and/or injury to your child.
- Do not attach, stick or add any item to the inside or outside of your cot unless the item is specifically designed to be used with a cot. Always follow safety instructions of items such as bumpers or cot mobiles that are attached to cots if you choose to use them. Items that are added to cots could become a suffocation or catch hazard for your baby.
- Ventilation of the room is necessary in order to keep the humidity low and to prevent mould in and around the cot.

Dreams Limited
Knaves Beech, High Wycombe, Bucks HP10 9YU
<https://www.dreams.co.uk>

Care and maintenance

Here are some tips to keep your new furniture in tip-top condition



Cleaning

To clean your new furniture, we'd advise using a warm damp cloth - please do not use abrasive chemicals or bleach as this may damage the product.



Checking and moving

Periodically we recommend you check that the screws or fixtures haven't become loose, over time. To move your new furniture, we recommend lifting it where possible, as dragging or pushing it could cause damage to your flooring.



Wood

Please note each of our wooden pieces are unique, meaning that markings and shade can vary slightly between beds. Over a period of time, the wood might lighten or fade slightly due to light exposure.



Fabric

Please note depending on the lighting, positioning and surroundings of your room, the shade of the colour can sometimes appear slightly different. Over a period of time, the colour might lighten or fade slightly due to light exposure.



Metal

Metal tends to be more resilient to everyday wear and tear. We recommend to gently dust your metal furniture and keep it dry to maintain its look.

Thank you for shopping with us - we hope you have a great night's sleep

Sleep well



Little dreamers

Keep the little ones entertained while you assemble your new purchase.



Dreams